

MIRRORS AND SUN VISOR

INSIDE REAR VIEW MIRROR

REMOVAL

1. Loosen set screw at base of mirror.

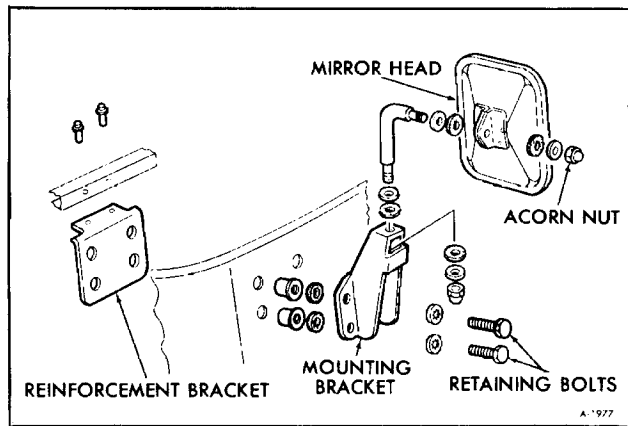


Figure 27-Exterior Mirror

2. Slide mirror to the rear and remove.

INSTALLATION

1. Position mirror on sun visor and mirror mounting bracket.
2. Tighten set screw.

OUTSIDE REARVIEW MIRROR (FIGURE 27)

The entire mirror assembly can be removed by removing four retaining bolts from the mirror bracket. Install by replacing these four bolts.

Either the mirror head or support arm can be removed by removing the acorn nut as shown in Figure 27.

A reinforcement bracket is used to back the riv-nuts which retains the mirror assembly to the body. This bracket is held in place by two rivets to the sill.

SUN VISOR

REMOVAL

Remove visor from center support bracket, and

swing visor to side. Visor can now be removed by loosening hex head bolt at end of visor shaft.

INSTALLATION

Position visor and install threaded end of visor arm into its mounting bracket. Tighten hex head bolt and position visor in support clip.

RADIATOR GRILLE (FIGURE 28)

REMOVAL

1. Open front access doors.
2. Remove six nuts from inside of grille.
3. Remove grille.

INSTALLATION

1. Position grille with studs through body.
2. Install six nuts and washers to retain grille in proper position.

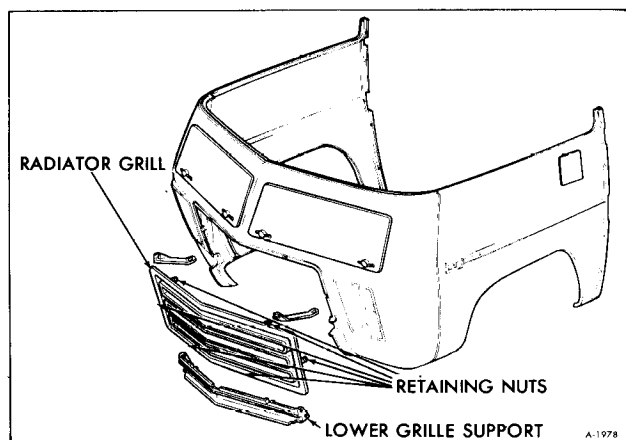


Figure 28-Radiator Grille

END CAP

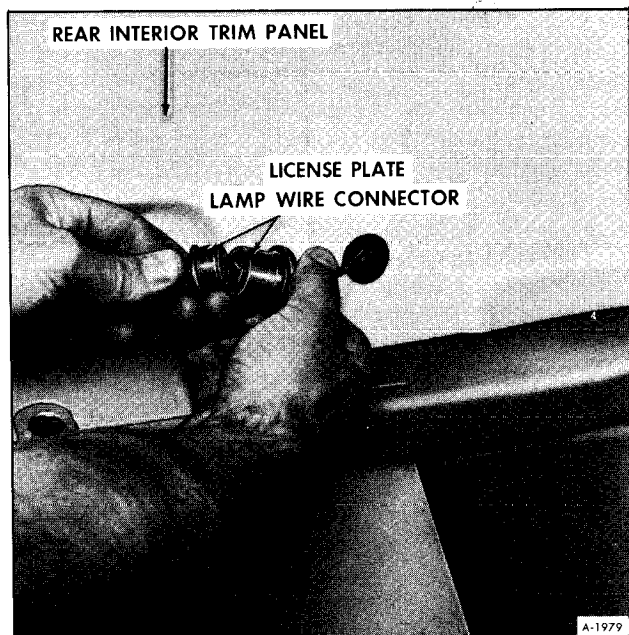


Figure 29-Disconnecting Wire to License Plate Lamp

REMOVAL

1. Disconnect wires for license plate light at lower left-hand inside corner as shown in Figure 29.

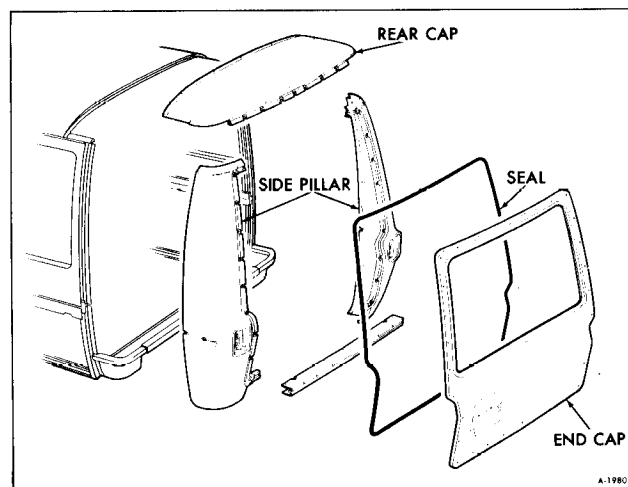


Figure 30-End Cap Components

NOTE: It may be necessary to remove interior trim at rear of Motor Home to gain access to license plate wiring connector.

2. Remove screws from interior trim to end cap.
3. Remove end cap to body retaining screws (32) from end cap (See figure 30).
4. Remove end cap from body.

INSTALLATION

1. Check seal to make sure it is still intact. Replace seal, if necessary.
2. Position end cap in place and install 32 retaining screws.
3. Install screws retaining interior trim to end cap.
4. Reconnect license plate wiring.

SPECIAL TOOLS

J-2189
J-9316

Glass Seal and Insert Installer
Windshield Alignment Blocks