

GMC

MOTORHOME and TRANSMODE PARTS BOOK

MODELS

ZEO 6081, 6581, 6582

ZEO 6083, 6583, 6584

1973 - 1978

This parts book replaces the previous MotorHome Parts Book 78Z printed in November, 1977

All illustrations and specifications contained in this catalog are based on the latest production information available at the time of publication approval. General Motors Corporation reserves the right to make changes at any time without notice in colors, materials, equipment, specifications and models, and also to discontinue models.

**GENERAL MOTORS PARTS DIVISION
TRUCK PARTS PUBLICATIONS DEPT.
BELLEVILLE, MICH. 48111**

78Z

GROUP INDEX

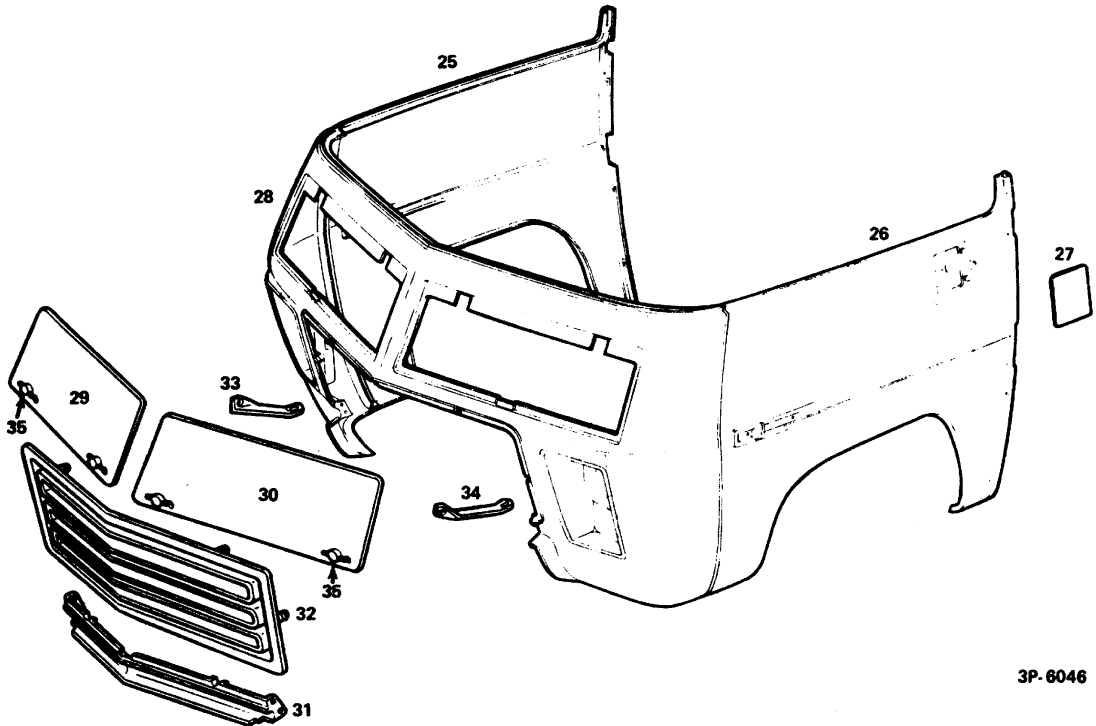
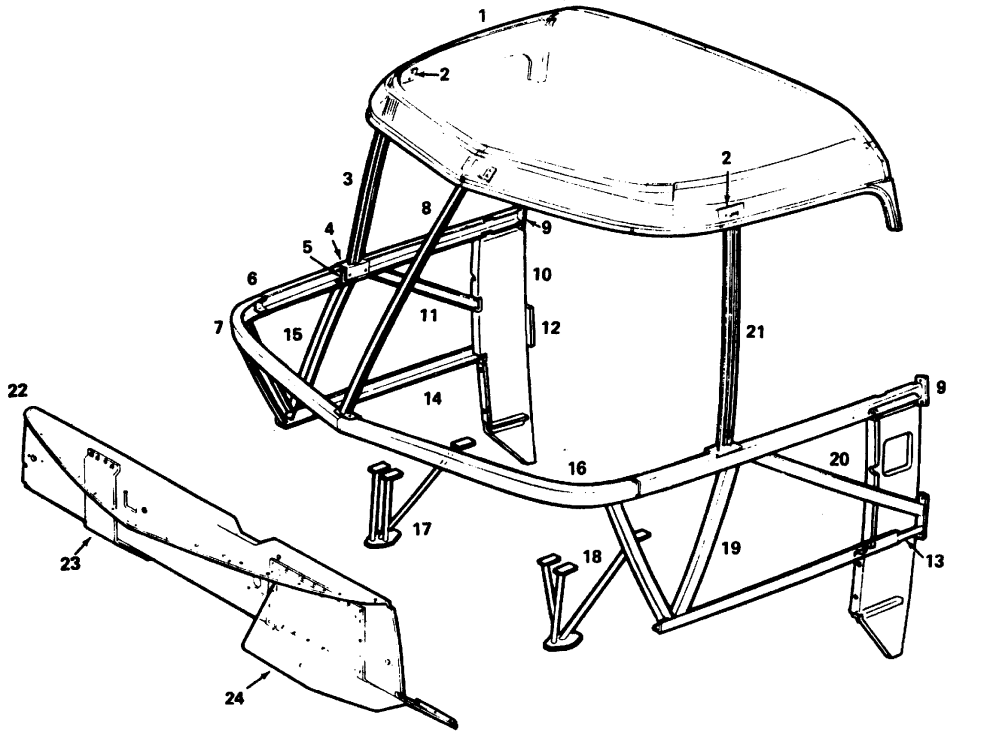
Front Axle	1
Brakes	4
Cooling	6
Electrical	7
Engine	8
Frame	11
Fuel	12
Air Suspension	14
Steering	16
Transmission	17
Wheels-Hubs	19
Tools	22
Body	23
Heater and Air Conditioning	26
Furnishings	28
Numerical Index	
Alphabetical Index	

BODY

LIST OF SUB GROUPS

Name	Group No.
BODY MOUNTING	23.090
COVER — MOTOR GENERATOR COMPARTMENT	23.026
DECALS — DECOR & MODEL	23.140
DOOR — ENTRANCE	23.065
DOOR — FRONT ENGINE ACCESS	23.006
DOOR — FUEL ACCESS	23.007
DOOR — SIDE ACCESS	23.040
DOOR — WATER AND ELECTRIC	23.043
ELECTRICAL COMPARTMENT — OUTSIDE (OUTLET)	23.044
FINISH & FITTINGS	23.080
FLOOR SUPPORT AND WHEELHOUSE	23.045
FRONT BODY, COWL AND DASH	23.005
INSULATION — FLOOR	23.047
MIRROR — OUTSIDE REAR VIEW	23.107
MOULDING — BODY SIDE (FIRST DESIGN)	23.130
MOULDING — BODY SIDE (SECOND DESIGN)	23.130H
PANEL — INSTRUMENT (FIRST DESIGN)	23.050
PANEL — INSTRUMENT (SECOND DESIGN)	23.050F
PANELS — INSULATION	23.075
PANELS AND FRAMING — LH SIDE	23.026
PANELS AND FRAMING — RH SIDE	23.025
REAR CAP, PILLAR AND PANEL	23.010
ROOF — PANEL AND FRAMING	23.015
SASH — GALLEY & ENTRANCE DOOR — SLIDING (FIRST DESIGN)	23.070M
SASH — GALLEY & ENTRANCE DOOR — SLIDING (SECOND DESIGN)	23.070S
SASH — GALLEY & ENTRANCE DOOR — STATIONARY (FIRST DESIGN)	23.070
SASH — GALLEY & ENTRANCE DOOR — STATIONARY (SECOND DESIGN)	23.070H
SASH — GALLEY, SLIDING (FIRST DESIGN)	23.066
SASH — GALLEY, SLIDING (SECOND DESIGN)	23.066H
SASH — LH FRONT (FIRST DESIGN)	23.074
SASH — LH FRONT (SECOND DESIGN)	23.74H
SASH — LH REAR (FIRST DESIGN)	23.071
SASH — LH REAR (SECOND DESIGN)	23.071H
SASH — RH FRONT (FIRST DESIGN)	23.073
SASH — RH FRONT (SECOND DESIGN)	23.073H
SASH — RH REAR (FIRST DESIGN)	23.072
SASH — RH REAR (SECOND DESIGN)	23.072H
SEAT — DRIVER & SINGLE PASSENGER (BOSTROM)	23.115
SEAT — DRIVER & SINGLE PASSENGER (FLEX STEEL)	23.116
SEAT — DUAL PASSENGER	23.117
SKIRT — REAR WHEEL OPENING	23.042
STRIPES — ACCENT	23.145
SUN VISOR AND MIRROR	23.060
TANK — DRAIN HOSE AND HOLDING	23.110
WINDOW ASSEMBLY—LH FRONT, SLIDE ("A")	23.069
WINDOW ASSEMBLY — RH FRONT — SLIDE ("A")	23.068
WINDSHIELD AND REAR WINDOW	23.067
WIPER — WINDSHIELD	23.100

BODY



3P-6046

23.005 FRONT BODY, COWL AND DASH

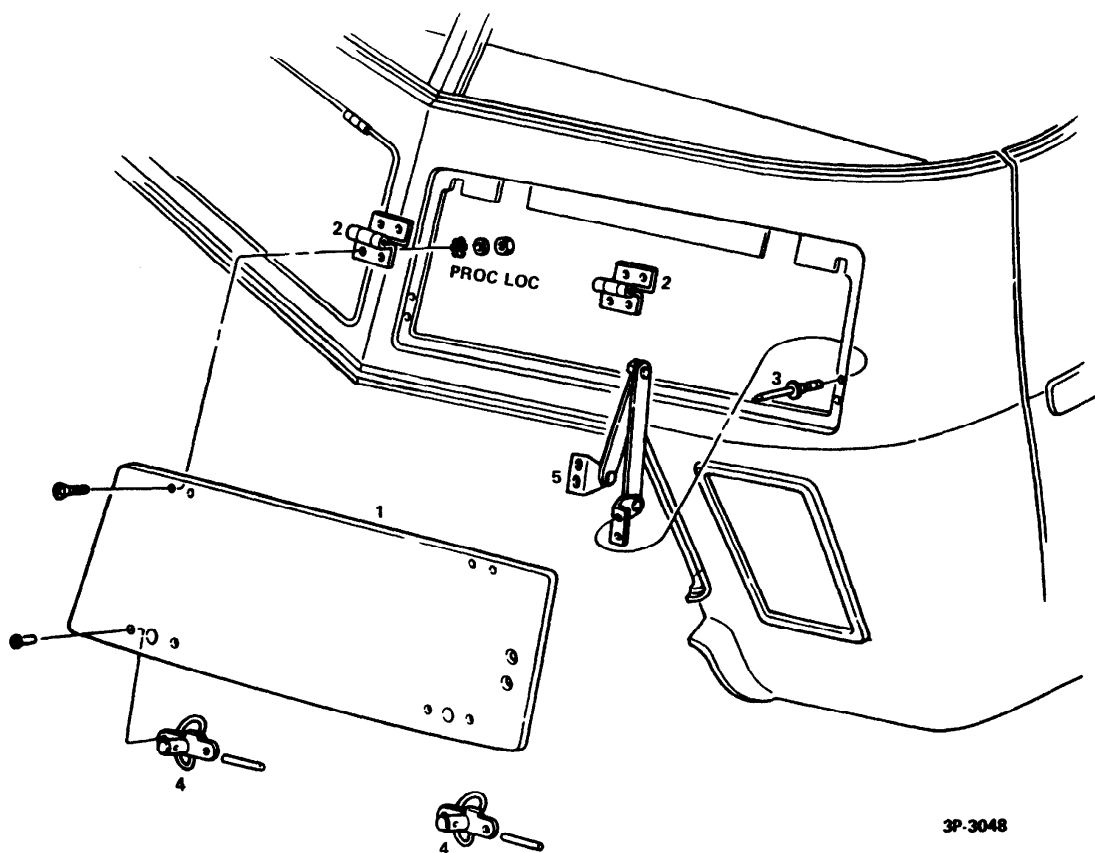
BODY

KEY 230 260 PART NUMBER

23.005 FRONT BODY, COWL AND DASH

1	1	1	691631	CAP ASSY.—roof, front (repl. 721338)
2	1	1	701406	PLATE—pillar (part of pillar 701446)
2	1	1	NPN	PLATE—pillar (part of pillar 701447)(ref. 709810) (make locally)
3	1	1	701446	PILLAR ASSY.—window RH (incl. plate)
4	2	2	—	BRACKET—pillar RH & LH (procure locally)
5	2	2	703652	REINFORCEMENT—side pillar to belt rail
6	2	2	698185	REINFORCEMENT—belt rail side
7	1	1	698184	REINFORCEMENT—belt rail, front RH (prior to Serial No. 6V100878)
7	1	1	2001949	REINFORCEMENT—belt rail, front RH (eff. w/Serial No. 6V100878)
8	1	1	702531	PILLAR ASSY.—windshield divider
9	2	2	—	PLATE—rail to side post (procure locally)
10	1	1	707545	SUPPORT—side, rear vertical RH (reinforcement)
10	1	1	707546	SUPPORT—side, rear vertical LH (reinforcement)
11	1	1	698125	SUPPORT—side, rear RH
12	2	2	—	PLATE—support, floor to side post (procure locally)
13	2	2	701411	EXTENSION—support, floor to plate
14	2	2	698127	SUPPORT—body, side to floor
15	1	1	698116	SUPPORT—side, front RH
16	1	1	702378	REINFORCEMENT—belt, rail, front LH (prior to Serial No. 6V100878)
16	1	1	2001948	REINFORCEMENT—belt rail, front LH (eff. w/Serial No. 6V100878)
17	1	1	2001709	SUPPORT ASSY.—floor to body mounting RH (prior to Serial No. 6V100878) (repl. 698131)
17	1	1	2001709	SUPPORT—floor to body mounting RH (eff. w/Serial No. 6V100878)
18	1	1	2001708	SUPPORT—floor to body mounting LH (eff. w/Serial No. 6V100878)
18	1	1	2001708	SUPPORT ASSY.—floor to body mounting LH (prior to Serial No. 6V100878) (repl. 698132)
19	1	1	698136	SUPPORT—side, front LH
20	1	1	698126	SUPPORT—side, rear LH
21	1	1	701447	PILLAR ASSY.—window LH (incl. plate)
22	1	1	2003633	PANEL—dash (eff. w/1977)
22	1	1	694009	PANEL—dash (incl. next 4 items) (prior to 1977)
23	1	1	700819	PLATE ASSY.—mounting elec. component (prior to 1977)
24	1	1	694010	EXTENSION—panel
25	1	1	691627	PANEL—side, front lower, RH
26	1	1	691628	PANEL—side, front lower, LH
27	1	1	701441	DOOR ASSY.—fuel filler (see group 23.007 details)
28	1	1	697788	PANEL—front, lower
—	AR	AR	610603	SHIM—front lower center panel attaching (w/697788 panel)
29	1	1	691629	DOOR ASSY.—engine, access, RH
30	1	1	691630	DOOR ASSY.—engine, access, LH
31	1	1	697789	PANEL—lower, grille support
32	1	1	691620	GRILLE ASSY.—radiator
33	1	1	706017	STRUT—front lower grille support panel, RH
34	1	1	706018	STRUT—front lower grille support panel, LH
35	8	8	707991	LATCH—access door
—	4	4	2436161	WASHER—pillar plate to lower panel bolt
—	8	8	2436161	WASHER—pillar bracket to reinforcement bolt
—	AR	AR	700368	RIVET—plate & front lower center panel belt rail
—	AR	AR	2003467	RIVET—front lower center panel belt rail
—	12	12	2265051	RIVNUT—inner roof front trim panel
—	1	1	703037	PLATE—recess radio receiver
—	7	7	2248137	RIVNUT—plate to dash panel
—	1	1	707545	REINFORCEMENT—front structure, RH
—	1	1	707546	REINFORCEMENT—front structure, LH
—	1	1	704057	SUPPORT—front belt reinf., RH
—	1	1	704058	SUPPORT—front belt reinf., LH
—	6	6	3759924	NUT—radiator grille (prior to 1978)
—	6	6	9419912	NUT—radiator grille (1978)
—	10	10	794526	SCREW—front lower panel to side wheel opening panel
—	—	1	719575	PLATE—recirc. trim, ("L" shaped) (below dash panel, LH) (prior to Serial No. 6V100057)
—	—	1	719576	PLATE—heater trim ("L" shaped) (below dash panel, RH)
—	1	1	2000701	PANEL—LH, front side inner (eff. w/Serial No. 6V100878)
—	1	1	2000702	PANEL—RH, front side inner (eff. w/Serial No. 6V100878)
—	2	2	2009161	SHIELD—water, "A" window RH (eff. w/1975)
—	2	2	2009162	SHIELD—water, "A" window LH (eff. w/1975)

BODY

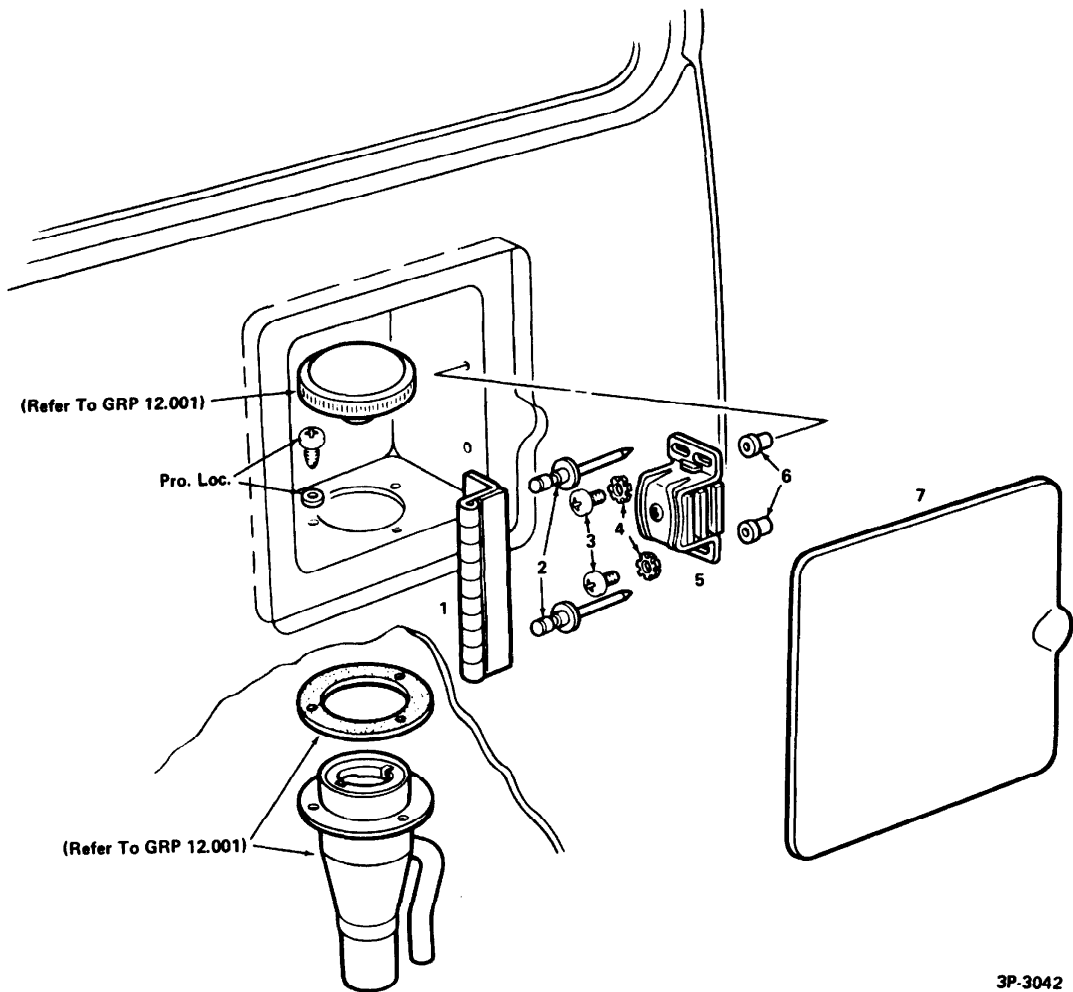


3P-3048

KEY	230	280	PART NUMBER
-----	-----	-----	-------------

23.006 DOOR — FRONT ENGINE ACCESS

1	1	1	691629	DOOR ASSY.—engine access. RH
1	1	1	691630	DOOR ASSY.—engine access. LH
2	2	2	709490	HINGE—engine access. RH
2	2	2	709490	HINGE—engine access. LH
3	8	8	668290	RIVET—engine access. door latch
4	4	4	707991	LATCH ASSY.—spring. engine access door (repl. 702144)
—	4	4	704207	PLATE—wear. engine access door
—	8	8	2397326	RIVET—engine door wear plate
5	1	1	709361	STRUT—engine access door, RH, incl. arms & bracket
5	1	1	709362	STRUT—engine access door, LH, incl. arms & bracket
—	AR	AR	—	BUMPER—engine access door (ref. only) (ref. 8860971)



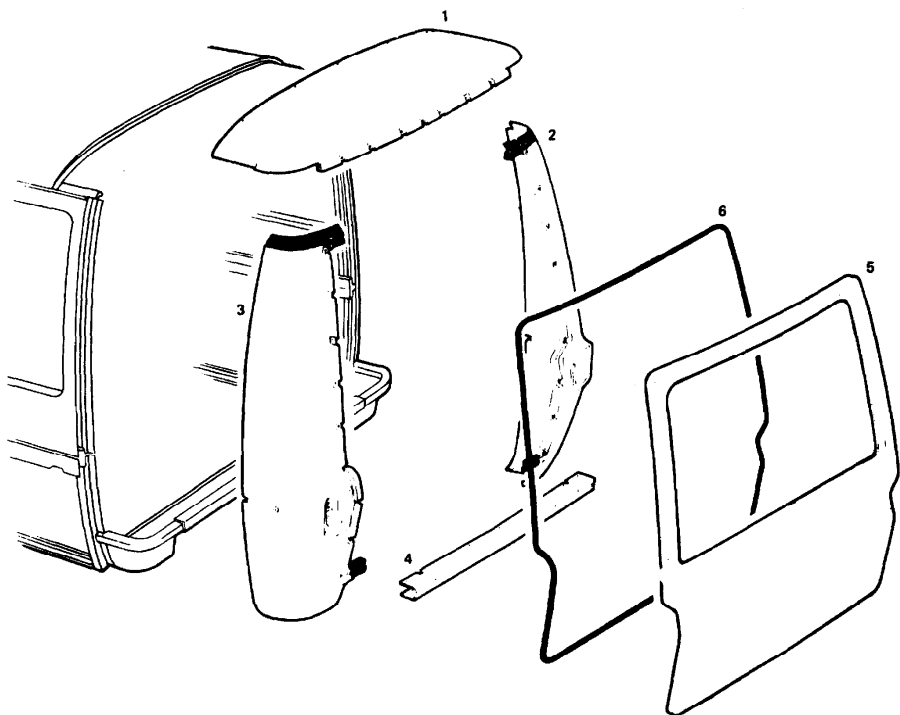
3P-3042

KEY 230 260 PART NUMBER

23.007 DOOR — FUEL ACCESS

1	1	1	703710	HINGE ASSY.—fuel door
2	2	2	700368	RIVET—fuel door to side panel
3	2	2	—	SCREW—pan cross recess (6-32 - 1/2) (procure locally) (ref. 159336)
4	2	2	138473	WASHER—tooth lock
5	1	1	671791	CATCH—magnetic, fuel door
6	2	2	2245859	RIVNUT—magnetic catch screw
7	1	1	701441	DOOR ASSY.—filler, fuel
—	1	1	791690	TAG—caution (gasoline only, warning, all pilot lights and appliances shall be turned off during refueling of motor fuel tanks)

BODY



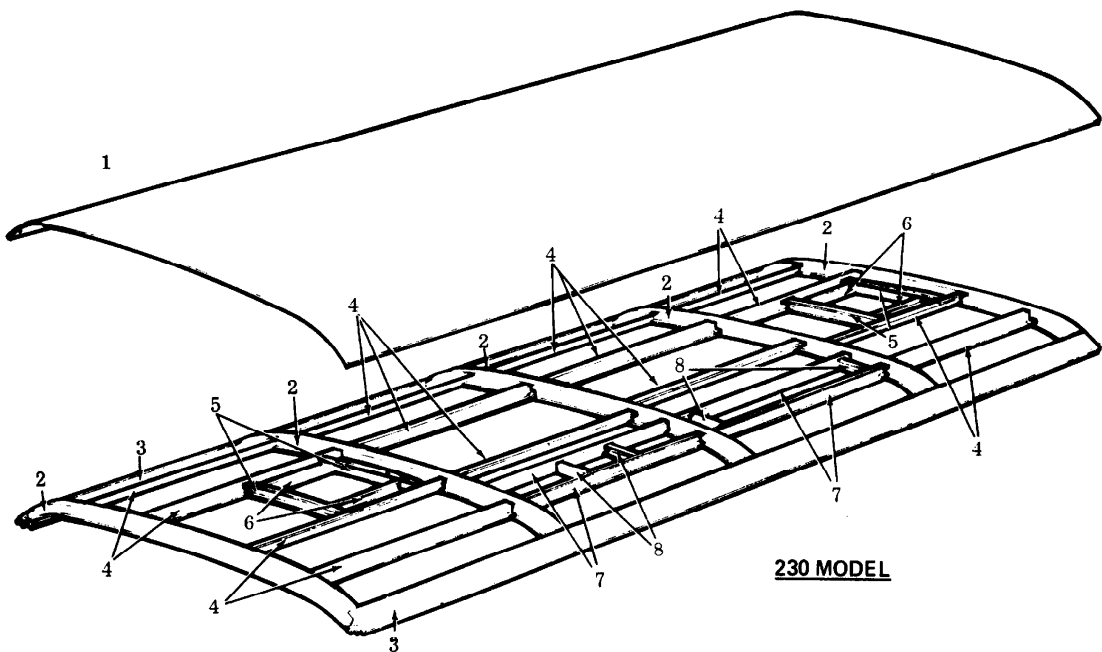
KEY 230 280 PART NUMBER

23.010 REAR CAP, PILLAR AND PANEL

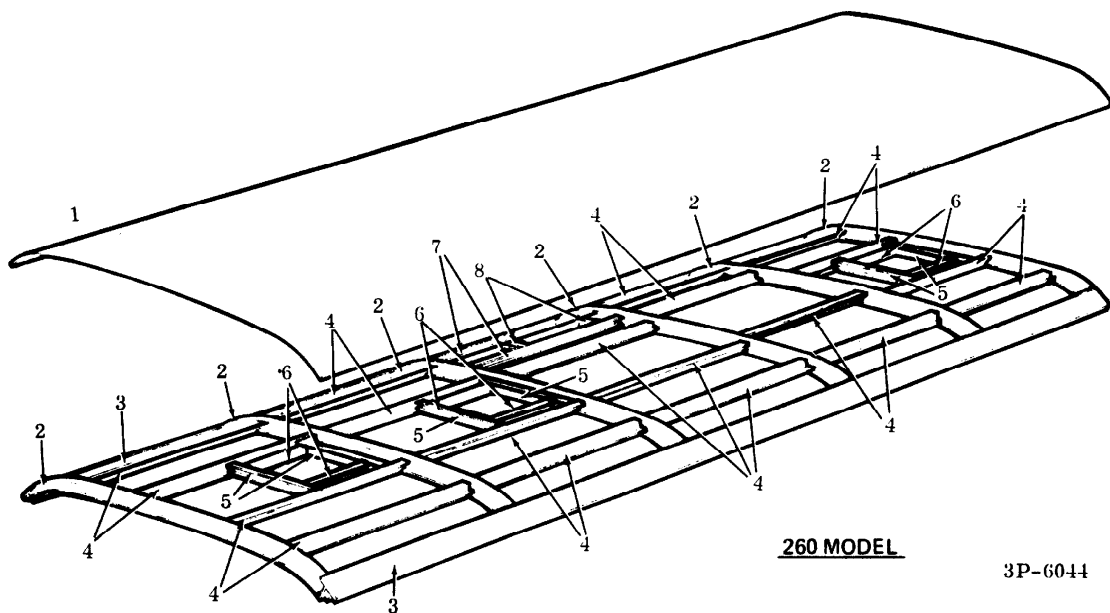
1	1	1	691621	CAP ASSY.—roof, rear (repl. 721339)
2	1	1	691622	PILLAR ASSY.—corner, rear outer RH
3	1	1	691623	PILLAR ASSY.—corner, rear outer LH (repl. 721337)
4	1	1	696146	BRACE—pillar
5	1	1	721342	PANEL—access, rear (repl. 691618)
6	AR	AR	8884086	SEAL—rear door panel (3/8 O.D., wall thick 120, Black) (replaces R-30926, S-0068, 8860947) (210" CTL)
—	AR	AR	722427	SCREW—rear access panel to RH & LH pillar & roof cap (1/4" shank) ("hi-lo")
—	8	8	2436161	WASHER—nut
—	18	18	700368	RIVET—brace to floor
—	2	2	2226070	RIVNUT—license lamp mounting bracket
—	1	1	NPN	SHIELD—retainer, insulation LH (ref. 703737) (make locally)
—	1	1	NPN	SHIELD—retainer, insulation RH (ref. 703738) (make locally)
—	1	1	706068	RING—pull, emergency exit
—	32	32	9434044	NUT—insert, rear end cap
—	6	6	708648	RIVET—rear roof cap to corner, outer RH & LH pillar
—	7	7	—	SCREW—rear access door to lower brace (procure locally) (1/4-14 x 3/4) (repl. 9416844)
—	6	6	—	WASHER—rivet, roof cap to corner pillar (procure locally)
—	1	1	NS	DECAL—emergency exit (ref. 2005725)

BODY

NOTES



230 MODEL



260 MODEL

3P-6044

23.015 ROOF - PANEL AND FRAMING

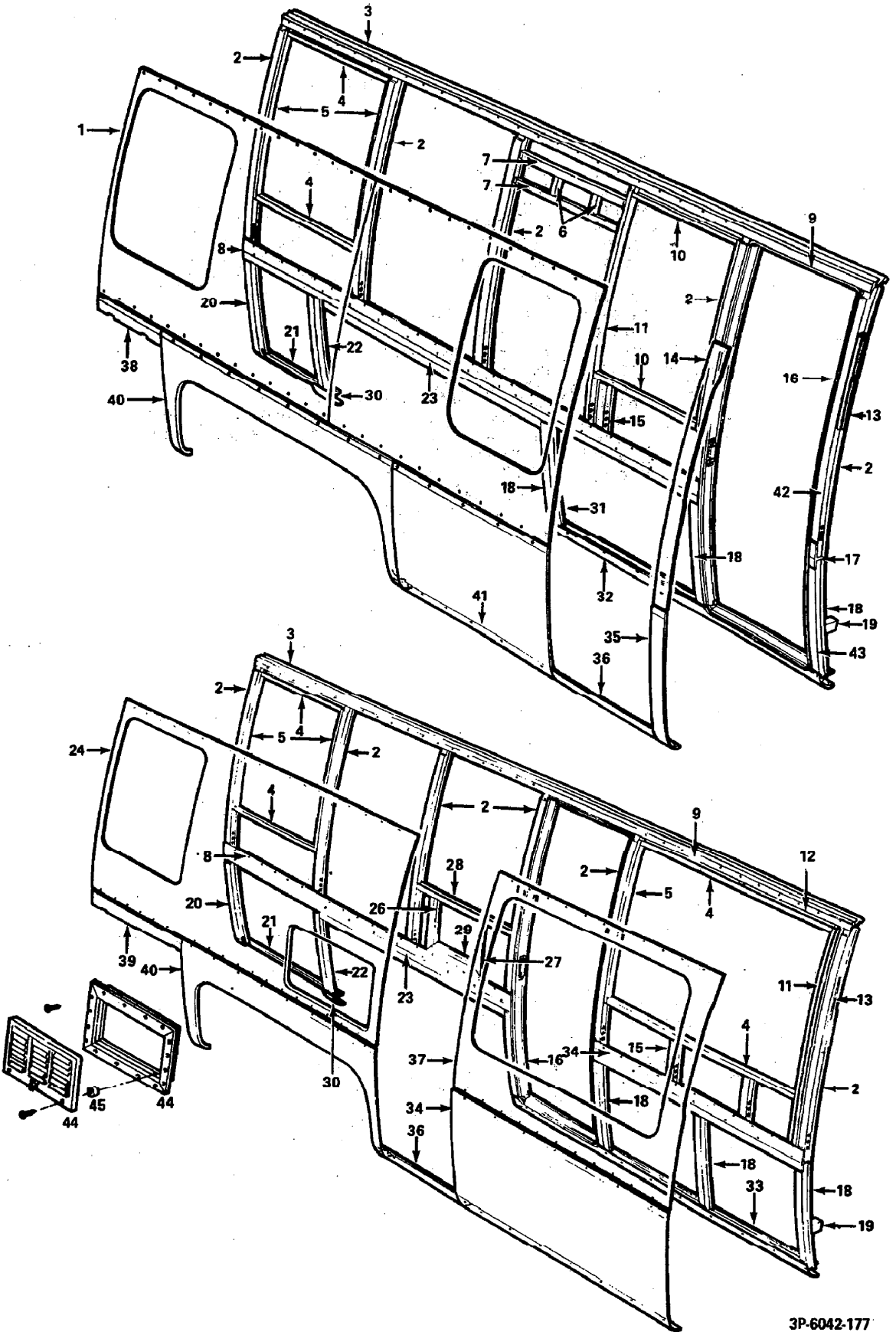
BODY

KEY 230 260 PART NUMBER

23.015 ROOF — PANEL AND FRAMING

1	1	—	691605	PANEL—roof
1	—	1	688808	PANEL—roof
2	AR	AR	688801	BOW—roof
3	1	1	688803	BEAM—roof, corner longitudinal (204.80" long, CTL)
3	1	1	715343	BEAM—roof, corner longitudinal — CTL
4	AR	AR	698139	REINFORCEMENT—roof, longitudinal (43.73" long, CTL) (prior to 1977)
4	AR	AR	2016389	REINFORCEMENT—roof longitudinal (eff. w/ 1977)
5	AR	AR	688807	REINFORCEMENT—roof hatch opening
6	AR	AR	688804	REINFORCEMENT—roof, air conditioning opening (14.30" long)
7	4	2	698192	REINFORCEMENT—roof, refrig. vent opening (43.73" long, CTL)
8	AR	AR	688804	REINFORCEMENT—roof, refrig. vent opening (14.30" long, CTL)
—	AR	AR	715698	SPACER—roof cap
—	2	2	716420	BOW—rear roof
—	2	2	716421	POST—side, upper, rear
—	3	3	716486	POST—side, front lower
—	1	2	716989	POST—side, upper, front
—	AR	AR	708648	RIVET—panel to side beam
—	—	AR	NPN	BRACKET—mounting, air box (ref. 791003) (make locally)
—	—	8	NPN	SUPPORT—grille, roof vent (ref 2004743) (make locally)
—	—	4	2030156	SUPPORT—grille, roof vent (1978)
—	—	1	2030159	INSERT—grille, bath liner (1978)
—	—	1	—	COVER—roof rail upper extrusion front sealing (eff. w/ 1976) (make locally) (ref. 2005435)
—	—	1	—	COVER—roof rail upper extrusion rear sealing (eff. w/ 1976) (make locally) (ref. 2005436)

BODY



RIGHT SIDE FRAMING 23" & 26"

23-10

3P-6042-177

BODY

KEY 230 260 PART NUMBER

23.025 PANELS AND FRAMING—RH SIDE

1	1	—	694035	PANEL—side, RH upper rear (Motorhome, w/RPO APO, BRS)
1	1	—	724364	PANEL—side, RH upper rear (Transmode) (w/out RPO BRS)
2	5	7	688832	POST—RH side, upper
3	1	1	688816	BEAM—side post to roof, RH longitudinal (2 15:52 CTL)
4	2	4	688823	SUPPORT—sash frame, RH side upper & lower (59.39 CTL) (prior to Serial No. 6V100878)
4	4	4	2006419	SUPPORT—sash frame, rear RH side upper and lower (w/out RPO BRR) (eff. w/Serial No. 6V100878)
5	AR	AR	688830	SUPPORT—sash frame, RH side (w/out RPO BRR, BRS)
5	AR	—	691611	SUPPORT—front sash frame side (w/RPO BRR, BRS) (prior to 1977)
5	2	—	2006420	SUPPORT—front sash frame side (60.35 1/2 lg.) (eff. w/1977)
6	2	2	NS	SUPPORT—stove vent, vertical, RH side (ref. 701429)
7	2	—	NS	SUPPORT—stove vent, horizontal RH SIDE (ref. 702429)
8	1	1	694001	BEAM—belt rail, RH rear longitudinal (148.59 CTL) (prior to Serial No. 6V100878)
8	—	1	2007957	BEAM—belt rail, RH rear longitudinal (eff. w/Serial No. 6V100878)
8	1	—	2007979	BEAM—belt rail, RH rear longitudinal (eff. w/Serial No. 6V100878) (repl. 2007978)
9	1	1	702989	PANEL—side filler, RH door jamb to longitudinal beam
10	2	—	701418	SUPPORT—sash frame, RH side upper and lower front
10	2	—	688823	SUPPORT—sash frame (w/RPO BRR) (prior to serial no. 6V100878) (prior to 1977)
10	2	—	2010239	SUPPORT—rear sash frame side
10	2	—	NPN	SUPPORT—sash frame (w/out RPO BRR) (eff. w/Serial No. 6V100878) (ref. 2006421)
11	1	2	691611	SUPPORT—sash frame, RH side, front
12	—	1	688821	SUPPORT—sash frame, RH side upper front
13	1	1	696157	REINFORCEMENT—RH upper post to front side sash (16.71 lg.)
14	1	—	694036	PANEL—side, RH upper front (prior to Serial No. 3V102100)
14	1	—	694036	PANEL—side, RH upper front (eff. w/1975) (Transmode)
14	1	—	—	PANEL—side, RH upper front (eff. w/Serial No. 3V102100) (ref. 716218)
15	2	2	688825	POST—RH side upper intermediate
16	1	1	691698	JAMB ASSY.—RH entrance door (prior to Serial No. 3V102100)
16	1	1	716206	JAMB ASSY.—RH entrance door (ref. only)
16	1	1	791392	JAMB ASSY.—RH entrance door (eff. w/serial no. 3V102100) (repl. 716206)
NOTE: The above [3] Jamb Assemblies include the next [7] items as indicated.				
—	1	1	790180	FRAME—door, lower (w/791392 jamb)
—	1	1	790180	FRAME—door, lower (w/691698 and 716206 jambs) (repl. 688817)
—	1	1	688841	FRAME—door, upper
—	1	1	691632	FILLER—door frame corner, upper rear
—	1	1	688842	FILLER—door frame corner, lower rear
—	1	1	691633	FILLER—door frame corner, upper front
—	1	1	688843	FILLER—door frame corner, lower front
17	1	—	688811	BEAM—belt rail, RH front longitudinal (prior to Serial No. 6V100878) (repl. 698130)
17	1	—	2007979	BEAM—belt rail, RH front longitudinal (eff. w/Serial No. 6V100878) (repl. 2007955)
18	6	8	688831	POST—RH side, lower
19	1	1	690122	EXTENSION—support, step to lower riser, RH front
20	1	1	696155	POST—RH side, lower, rear (prior to Serial No. 6V100878)
20	1	1	2007954	POST—RH side, lower rear (eff. w/Serial No. 6V100878)
21	1	1	696179	EXTENSION—post, RH side, lower, rear (prior to 1975)
21	1	1	791376	EXTENSION—rear, lower, RH side post (motor home) (eff. w/1975)
21	1	1	792420	EXTENSION—rear, lower side post (Transmode) (eff. w/1975)
22	1	1	703974	POST—RH side, lower rear (at rear wheelhouse)
23	1	1	691610	SUPPORT—wheelhouse, RH longitudinal (76.18 CTL)
24	—	1	724359	PANEL—side, RH upper, rear (Transmode)
24	—	1	689610	PANEL—side, RH upper, rear (motor home, also used w/RPO APR) (prior to 1975)
24	—	1	689610	PANEL—side, RH upper, rear (motor home) (eff. w/1975) (prior to 1978) (repl. 793022)
24	—	1	2028934	PANEL—side, RH upper rear (Motorhome) std. (w/refrigerator louvers) (1978)
24	—	1	2028935	PANEL—side, RH upper rear (Motorhome) (w/RPO U97) (w/refrigerator louvers) (1978)
25	—	1	719501	POST ASSY.—RH side, lower (incl. next item)
25	—	1	688834	POST—RH side, lower

BODY

KEY 230 260 PART NUMBER

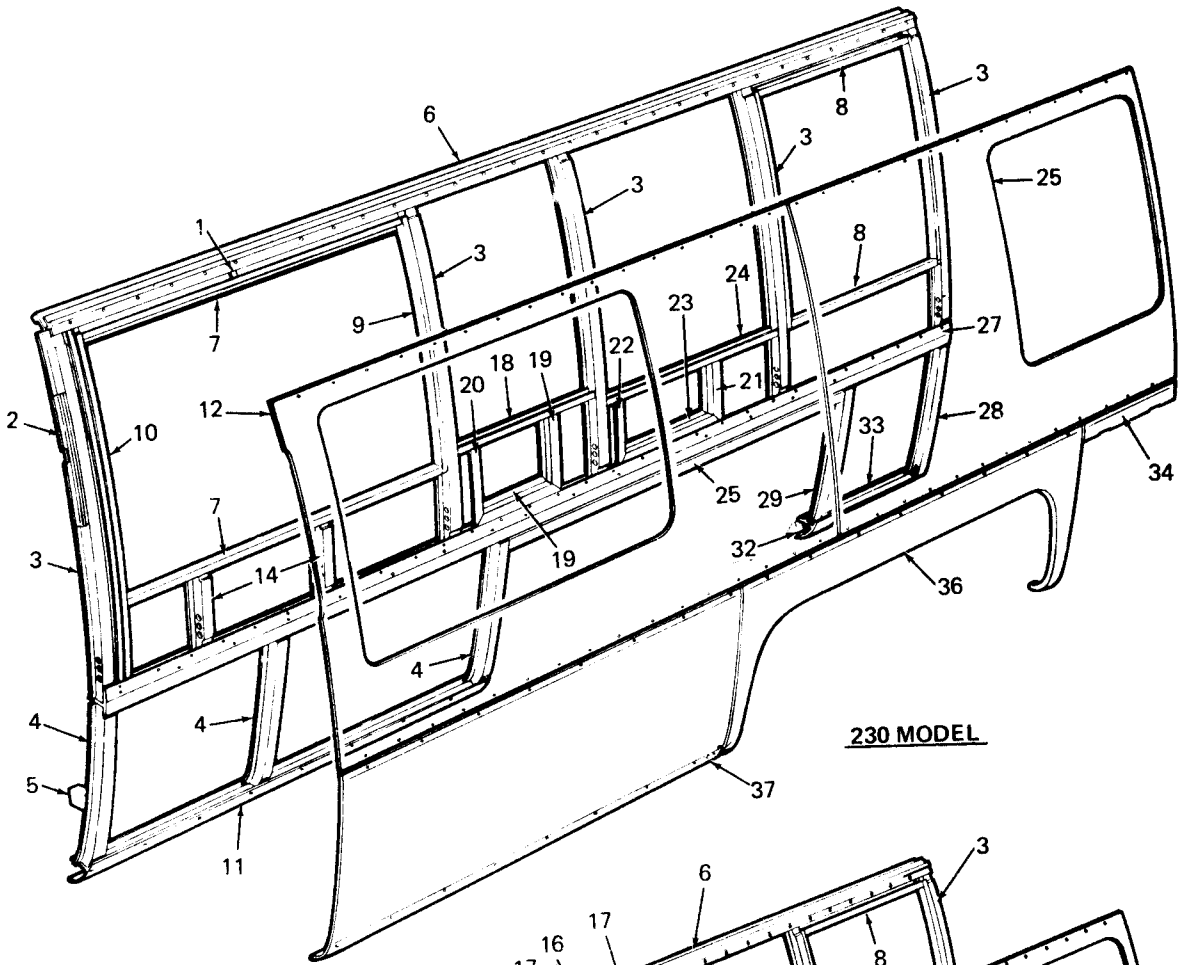
23.025 PANELS AND FRAMING — RH SIDE (Cont.)

26	1	1	NS	SUPPORT—refrigerator vent, RH side, rear (ref. 701973)
27	—	1	NS	SUPPORT—refrigerator vent, RH side, front (ref. 701423)
28	AR	AR	701421	SUPPORT—refrigerator vent, RH side, upper (CTL)
29	1	1	NS	SUPPORT—refrigerator vent, RH side, lower (ref. 701424)
30	1	1	698183	BEAM—floor to lower side post, RH front (prior to 1975)
30	1	1	791369	BEAM—floor to lower side post rear RH (eff. w/ 1975)
31	1	—	694037	PANEL—side, intermediate, RH upper (Motorhome) (also RPO APQ)
31	1	—	724365	PANEL—side, RH upper intermediate (Transmode) (w/out RPO BRR, BRS)
31	1	—	2008198	PANEL—side, RH upper intermediate (Transmode) (w/RPO BRR)
31	1	—	2008200	PANEL—side, RH upper intermediate (Transmode) (w/RPO BRS)
32	1	—	694003	BEAM—floor to lower side post, RH front (Motorhome)
32	1	—	792442	BEAM—floor to lower side post, front, RH (Transmode)
33	—	1	688828	BEAM—floor to lower side post, RH front (prior to 1975)
33	—	1	791356	BEAM—floor to lower side post front RH (eff. w/ 1975)
34	—	1	688814	BEAM—belt rail, RH front longitudinal (prior to Serial No. 6V100878)
34	—	1	2007979	BEAM—belt rail, RH front longitudinal (eff. w/Serial No. 6V100878)(repl. 2007956)
34	—	1	691613	PANEL—side, RH lower front (prior to Serial No. 3V102100)
34	—	1	—	PANEL—side, RH lower front (eff. w/Serial No. 3V102100) (ref. 716221)
34	—	1	691613	PANEL—side, RH lower front (eff. w/ 1975)
35	1	—	691635	PANEL—side, RH lower front
36	1	1	691612	PANEL—rocker, RH door
37	—	1	689611	PANEL—side, RH
37	—	1	792407	PANEL—side, RH upper front (Transmode)
38	1	—	696148	PANEL—side, RH lower rear
39	—	1	696147	PANEL—side, RH lower rear
40	1	1	691615	PANEL—side, RH outer wheel opening
41	1	—	691641	PANEL—side, intermediate RH lower
42	2	2	716989	POST—front, side upper
43	2	2	716486	POST—front, side lower
44	—	1	792854	DOOR ASSY.—vent, exterior side, refrigerator (SOA) (incl. door frame) (14 1/8 x 19 15/16) (eff. w/1975) (prior to 1978) (for refrigerator vent louvers eff. w/1978 see item 24 panel gr. 23.025)
45	—	1	794650	SPACER—vent door, refrigerator (used w/792854 vent door) (prior to 1978)
—	AR	AR	700366	RIVET—RH side panel & upper side panel to roof corner longitudinal beam
—	2	2	702672	GUSSET—RH wheelhouse beam to upper side post
—	1	1	708463	PAD—non-slip
—	1	1	—	POST ASSY.—lower side, door (prior to 1975) (ref. 716224)
—	8	8	700368	RIVET—reinforcement to post
—	1	1	—	POST ASSY.—upper side, door (prior to 1975) (ref. 716225)
—	1	1	792417	POST ASSY.—side lower, LPG tank (eff. w/1975 and prior to Serial No. 6V100878)
—	—	1	704076	POST—side lower, front, LPG tank (eff. w/Serial No. 6V100878) (prior to 1978)
—	—	1	2032757	POST—side lower, front, LPG tank (1978)
—	—	1	711328	SUPPORT—dinette table RH (prior to 1975)
—	—	1	791987	SUPPORT ASSY.—dinette table RH (eff. w/1975)
—	—	4	2226070	RIVNUT—support (used w/791987)
—	—	1	791969	BRACKET—davo/bunk
—	—	1	2006225	COVER—tank, LPG (eff. w/Serial No. 6V100878)
—	—	37	2006657	SCREW ASSY.—LPG tank cover to floor (eff. w/Serial No. 6V100878)
—	—	1	792011	COVER ASSY.—tank, LPG (aluminum) (SOA) (eff. w/ 1975 and prior to Serial No. 6V100878)
—	—	2	797686	SUPPORT—cover, to RR inside panel (use w/792011) (eff. w/ 1975 and prior to Serial No. 6V100878)
—	1	—	2008181	COVER ASSY.—LPG tank (w/RPO BRR/BRS)
—	7	7	793289	RIVET—post to bracket

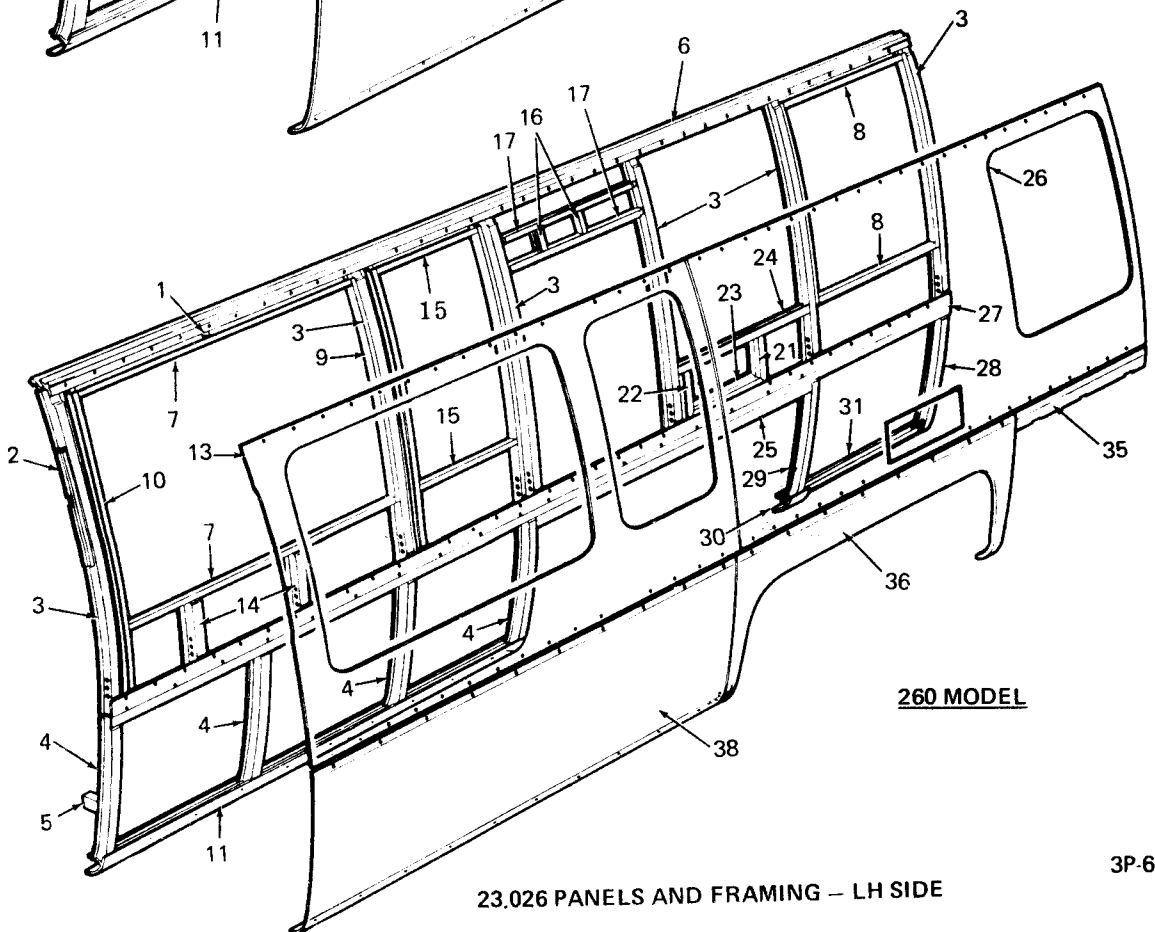
BODY

NOTES

BODY



230 MODEL



260 MODEL

23.026 PANELS AND FRAMING - LH SIDE

3P-6043

BODY

KEY 230 260 PART NUMBER

23.026 PANELS AND FRAMING — LH SIDE

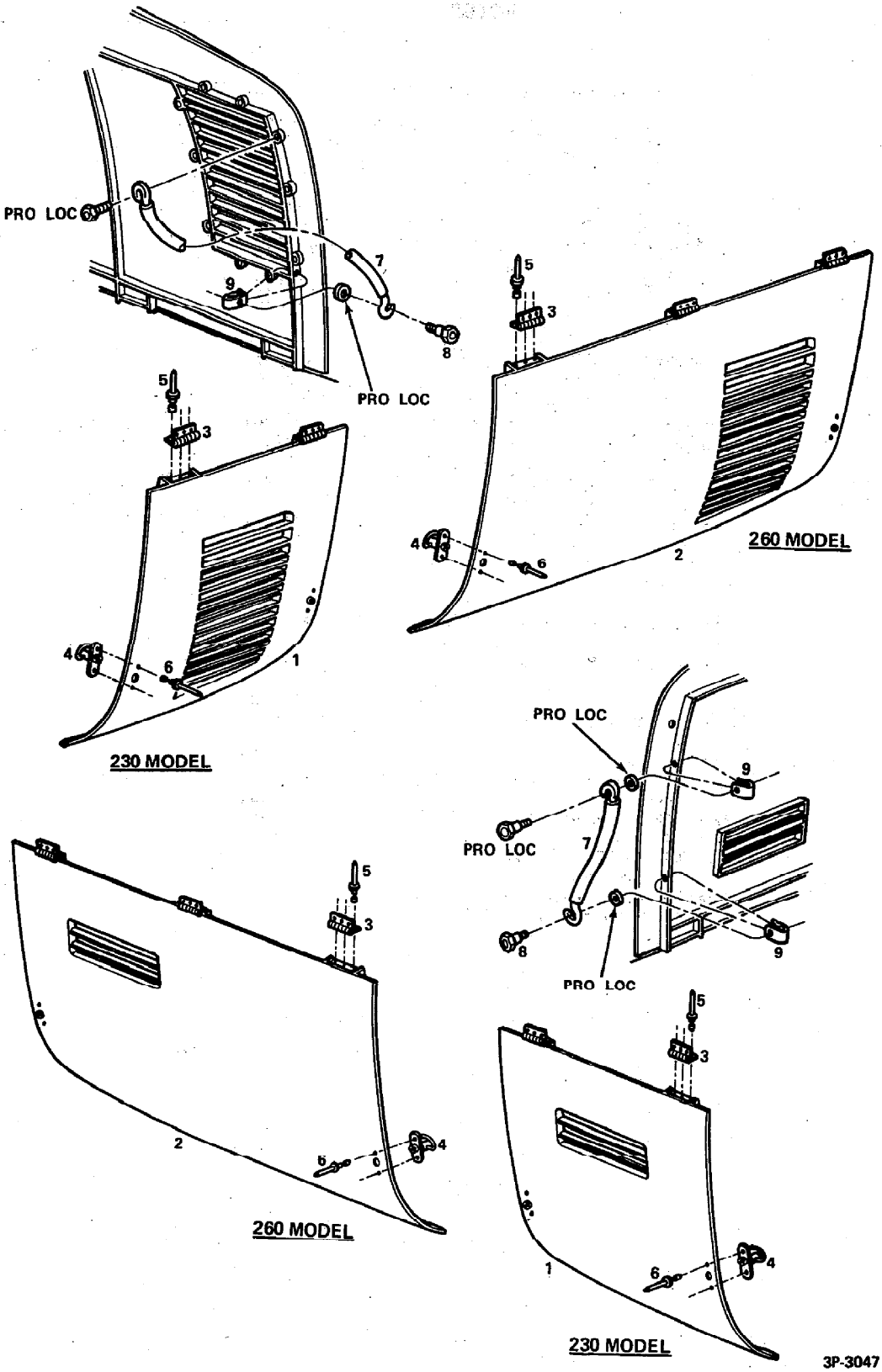
1	1	1	688821	SUPPORT—sash frame, LH side upper front
2	1	1	696157	REINFORCEMENT—LH upper post to front side sash (repl. 703573)
3	5	7	688832	POST—LH side, upper
4	6	8	688831	POST—LH side, lower
5	1	1	698122	EXTENSION—support, step to lower riser, LH front
6	1	1	691608	BEAM—side post to roof, LH corner lgt dnl. (215.52 lg.)
7	2	4	688823	SUPPORT—sash frame, LH side upper and lower front (59.39 lg.) (prior to Serial No. 6V100878)
7	2	4	NPN	SUPPORT—sash frame, LH side upper and lower front (60.35" lg.) (eff. w/Serial No. 6V100878) (ref. 2006420) (make locally)
8	—	4	NPN	SUPPORT—sash frame, LH side upper and lower rear (37.56" lg.) (w/ZE06582, ZE06584) (ref. 2006419) (make locally)
8	2	2	688823	SUPPORT—sash frame, LH side upper and lower rear (59.39" CTL) (exc./ZE06582, ZE06582)
9	AR	AR	688830	SUPPORT—sash frame, LH side
10	1	1	691611	SUPPORT—sash frame, LH side front
11	AR	AR	688827	BEAM—floor to lower side post, LH front (97.23") (prior to 1975)
11	—	1	791355	BEAM—floor to lower side post, front, LH (eff. w/1975)
11	1	—	792425	BEAM—floor to lower side post, front, LH (Transmode) (eff. w/1975)
12	1	—	694038	PANEL—side, LH upper front (motor home/RPO APO, BRR, BRS)
12	1	—	724363	PANEL—side, LH upper front (Transmode) (w/out RPO BRR, BRS) (prior to interm 1977)
13	1	1	724362	PANEL—side, LH upper front (Transmode) (eff. w/interm 1977)
13	—	1	694034	PANEL—side, LH upper front (Motorhome) (also w/RPO APR) (exc./ZE06582, ZE06584)
13	—	1	2006227	PANEL—side, LH upper front (w/ZE06582, ZE06584)
14	2	2	688825	POST—LH side upper intermediate
15	—	2	688823	SUPPORT—sash frame, LH side intermediate (CTL) (repl. 688824)
16	—	2	NS	SUPPORT—stove vent, vertical, LH side (ref. 701429)
17	—	2	701421	SUPPORT—stove vent, horizontal, LH SIDE (39.06 CTL)
18	1	—	701421	SUPPORT—refrigerator vent, LH side upper (39.06 CTL)
19	1	—	NS	SUPPORT—refrigerator vent, LH side lower (ref. 701424)
19	1	—	NS	SUPPORT—refrigerator vent, LH side rear (ref. 701973)
20	1	—	NS	SUPPORT—refrigerator vent, LH side front (ref. 701423)
21	1	1	701422	SUPPORT—water & electric access door, LH rear
22	1	1	701420	SUPPORT—water & electric access door, LH front
23	1	1	701419	SUPPORT—water & electric access door, LH lower
24	1	1	701421	SUPPORT—water & electric access door, LH lower (39.06 CTL)
25	1	1	691610	SUPPORT—wheelhouse, LH longitudinal (76.18 CTL)
25	1	—	694039	PANEL—side, LH upper rear (Motorhome/RPO BRS)
25	1	—	724364	PANEL—side, LH upper rear (Transmode) (w/out RPO BRR, BRS)
25	1	—	2008199	PANEL—side, LH upper rear (w/RPO BRR)
26	—	1	724361	PANEL—side, LH upper rear (Transmode)
26	—	1	792262	PANEL—side, LH upper rear (w/RPO APR/Transmode)
26	—	1	694033	PANEL—side, LH upper rear (Motorhome) (exc./ZE06582, ZE06584)
26	—	1	2008302	PANEL—side, LH upper rear (w/ZE06582, ZE06584)
27	—	1	2007979	BEAM—belt rail, LH side longitudinal (eff. w/Serial No. 6V100878)
27	1	—	2007979	BEAM—belt rail, LH side longitudinal (eff. w/Serial No. 6V100878) (repl. 20079)
27	1	1	688811	BEAM—belt rail, LH side longitudinal (215.04 CTL) (prior to Serial No. 6V100878)
28	1	1	704076	POST—LH side lower rear
29	1	1	703974	POST—LH side lower rear (at rear wheelhouse)
30	—	1	702679	BEAM—floor to lower side post, LH rear (6.00") (prior to 1975)
30	—	2	791369	BEAM—floor to lower side post, rear, LH (eff. w/1975)
31	—	1	702660	EXTENSION—post, LH side lower rear (prior to 1975)
31	—	1	791352	EXTENSION—rear lower side post LH (eff. w/1975) (Motorhome)
32	1	—	702661	EXTENSION—post, LH side lower rear
32	1	—	792421	EXTENSION—rear, lower side post, LH (Transmode) (eff. w/1975)
33	2	—	698183	BEAM—floor to lower side post, LH rear
34	1	—	696148	PANEL—side, LH lower rear
35	—	1	696147	PANEL—side, LH lower rear
36	1	1	691615	PANEL—side, LH outer wheel opening
37	1	—	691636	PANEL—side, LH lower front
38	—	1	691614	PANEL—side, LH lower front
—	AR	AR	700368	RIVET—LH side panel
—	2	2	702672	GUSSET—LH wheelhouse beam to upper side post
—	—	1	701421	SUPPORT—side panel, LH (39.06 CTL) (repl. 701425)

23.026 PANELS AND FRAMING — LH SIDE (Cont.)

—	—	2	701421	SUPPORT—horizontal, stove vent (39.06" CTL) (Transmode) (repl. 701425)
—	—	1	792004	EXTENSION—LH, floor to lower side front, motor generator (w/RPO KNC)
—	—	1	792005	EXTENSION—LH, floor to lower side rear, motor generator (w/RPO KNC)
—	—	1	791352	EXTENSION—LH, floor to lower side, (exc./ RPO KNC) (eff. w/1975)
—	—	1	792416	POST ASSY.—front, side lower motor generator (incl. next [3] items) (prior to Serial No. 6V100878)
—	—	1	703974	POST—side lower motor generator, front
—	—	1	792041	ANGLE—post
—	—	5	—	RIVET—angle to post (ref. 9436024)
—	—	1	703974	POST—side lower motor generator, rear (eff. w/Serial No. 6V100878)
—	—	36	2008657	SCREW ASSY.—motor generator compt. cover to body and floor (eff. w/Serial No. 6V100878)
—	—	1	2465308	PLATE—tapping, motor generator cover assembly (w/2006226 cover)
—	—	1	792418	POST ASSY.—side lower motor generator, rear (incl. next [3] items) (prior to Serial No. 6V100878)
—	—	1	797686	SUPPORT—cover to inside RR panel (use w/792012) (eff. w/1975) (prior to Serial No. 6V100878)
—	—	1	2001029	VENT—motor generator compt. (eff. w/1975)
—	—	1	2000239	PANEL—battery closure upper panel (w/RPO KNC)
—	—	1	792012	COVER ASSY.—motor generator compt. (aluminum) (SOA) (eff. w/1975) (w/ZEO 6581) (prior to serial no. 6V100878)
—	—	1	2006226	COVER ASSY.—motor generator compt. (w/ZEO 6581, & ZEO 6582) (eff. w/serial no. 6V100878) (prior to 1978)
—	—	1	2011648	COVER ASSY.—motor generator compt. (w/ZEO 6582) (eff. w/interm 1976) (prior to 1978)
—	—	1	2026201	COVER ASSY.—motor generator compt. (w/ZEO 6581) (1978)
—	1	—	2008180	COVER ASSY.—motor generator (w/RPO BRR/BRS) (transmode w/bath)
—	—	1	2009152	COVER ASSY.—motor generator compt. (w/RPO KNC) (prior to 1978)
—	—	1	2026213	COVER ASSY.—motor generator compt. (w/RPO KNC) (eff. w/1978)
—	—	1	2261791	GROMMET—battery cable thru side panel (w/2008174 panel)
—	—	1	2008174	PANEL—battery side closure (w/RPO KNC, KNE) (prior to 1978)
—	—	1	2025739	PANEL—battery side closure (w/RPO KNC, KNE) (1978)
—	—	1	NPN	BRACKET—battery box (w/RPO KNC, KNE) (prior to 1978) 2008178 (make locally)
—	—	1	2025800	BRACKET—battery box (w/RPO KNC) (1978)
—	—	1	NPN	PLATE—battery box cover support (w/RPO KNC, KNE) (ref. 2008177) (make locally)
—	—	1	2008182	PANEL—access, battery (w/RPO KNC, KNE)

BODY

NOTES



23.040 DOOR - SIDE ACCESS

3P-3047

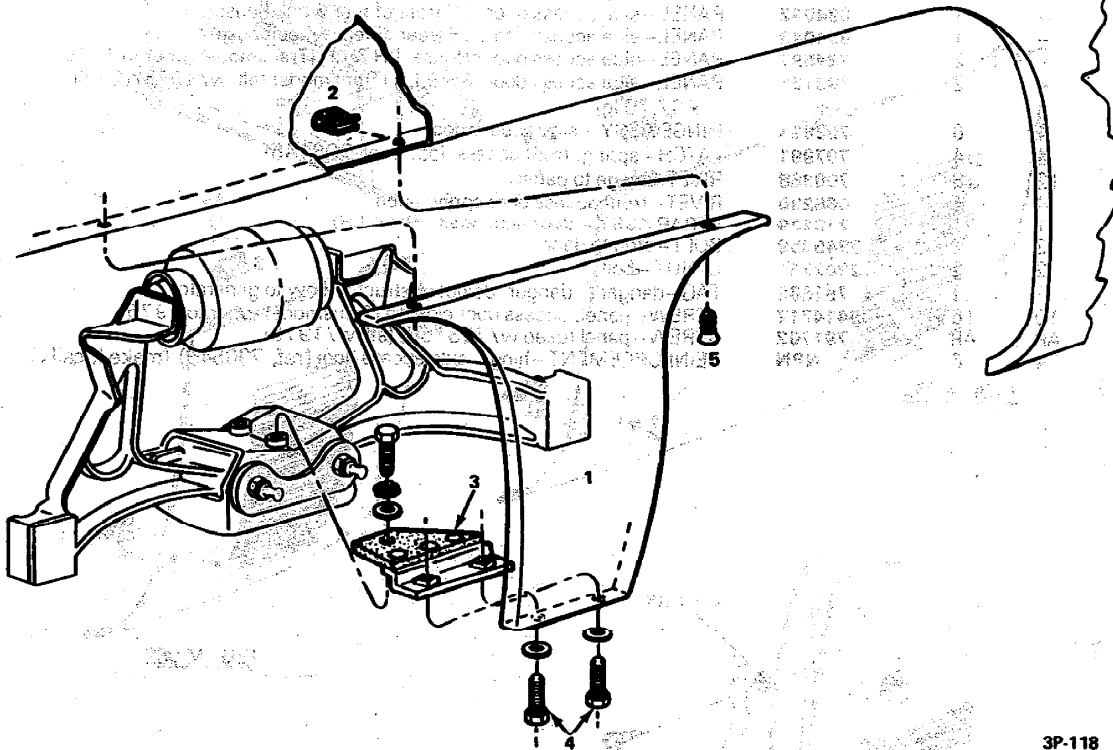
BODY

KEY 230 260 PART NUMBER

23.040 DOOR — SIDE ACCESS

1	1	—	694040	PANEL—side access door, RH (rear of rear wheelhouse)
1	1	—	694041	PANEL—side access door, LH (rear of rear wheelhouse)
1	2	—	724598	PANEL—side access door closure, RH & LH (Transmode) (prior to 1975)
1	2	—	793157	PANEL—side access door, RH & LH (Transmode) (eff. w/ 1975) (24.50" x 21.70 lg.)
2	—	1	694042	PANEL—side access door, RH (rear of rear wheelhouse)
2	—	1	694043	PANEL—side access door, LH (rear of rear wheelhouse)
2	—	2	724597	PANEL—side access door closure, RH & LH (Transmode) (prior to 1975)
2	—	2	793156	PANEL—side access door, RH & LH (Transmode) (eff. w/ 1975) (24.50" x 37.70 lg.)
3	4	6	702821	HINGE ASSY.—side access door
4	4	4	707991	LATCH—spring, front access door (repl. 702145)
5	12	18	700368	RIVET—hinge to panel
6	4	4	668290	RIVET—front access door spring latch
7	1	1	713229	STRAP ASSY.—door hold open, (RH & LH)
8	2	2	3945359	BOLT—stop to door
9	2	2	2292732	U-NUT—bolt
—	1	1	791685	TAG—danger ("danger, do not obstruct airflow to generator")
—	10	16	9414712	SCREW—panel, access door closure (Transmode) (prior to 1975)
—	AR	AR	791702	SCREW—panel (used w/ 793157) (eff. w/ 1975)
—	4	6	NPN	REINFORCEMENT—hinge, side access door (ref. 790545) (make locally)

23.042 SKIRT - REAR WHEEL OPENING



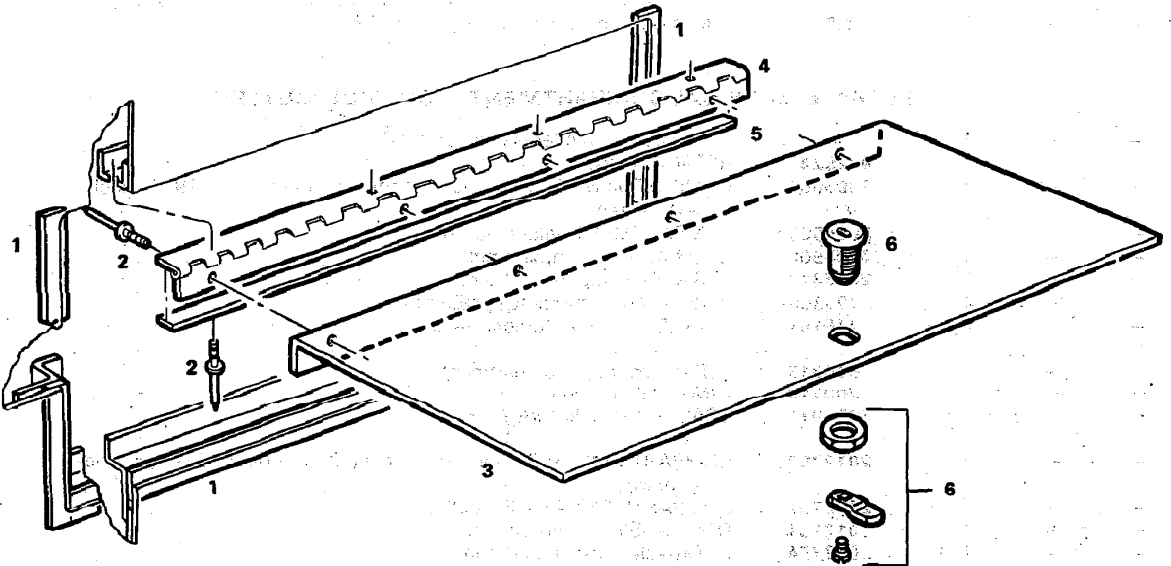
3P-118

KEY	230	260	PART NUMBER
-----	-----	-----	-------------

23.042 SKIRT - REAR WHEEL OPENING

1	2	2	793495	SKIRT ASSY.—rear wheel opening (RPO T58)
2	4	4	325822	U-NUT—skirt to side panel (repl. 3433156)
3	2	2	793494	BRACKET—skirt mounting bottom
4	2	2	9427321	BOLT—bracket to suspension (3/8-16 x 1 300M) (repl. 9418822)
5	4	4	9417311	SCREW—skirt to side panel

BODY



3P-3040

KEY	230	260	PART NUMBER
-----	-----	-----	-------------

23.043 DOOR — WATER AND ELECTRIC

1	1	1	702309	SEAL—door, lower (prior to 1975)
1	2	2	702309	SEAL—door, side (prior to 1975) (repl. 702310)
1	1	1	792269	SEAL—door (eff. w/1975) (prior to 1978)
1	1	1	2028974	SEAL—door (1978)
2	8	8	700368	RIVNUT—striker
3	1	1	702305	DOOR—access, water and electric (over left wheelhouse)
4	1	1	702306	HINGE ASSY—door
5	1	1	702303	SEAL—door, upper (prior to Serial No. 6V100878)
5	1	1	702309	SEAL—door, upper (eff. w/Serial No. 6V100878)
6	1	1	701241	LOCK ASSY—cam (prior to 1975)
6	1	1	709156	LOCK UNIT—door (1975) (see group 23.065)
6	1	1	798326	LOCK UNIT—door (eff. w/1976) (see group 23.065) (ref. only)
—	—	1	—	LOCK UNIT—(set assy.) door (eff. w/Serial No. 6V100878) (w/RPO U97) (see group 23.065) (ref. 2008266)
—	1	1	702348	STRIKER—lock (w/701241)
—	—	3	2002635	CYLINDER ASSY—water & elect. access door lock (see group 23.044 for lock assy.) (NOTE: Use Qty. of (2) w/ lock set 2028776, 2030075, 2030076) (SOA) (eff. w/1975)
—	—	1	791175	BOX ASSY.—power cord storage, (w/4KW ONAN) (eff. w/1975)
—	—	1	795117	BOX ASSY.—power cord storage, (w/6KV ONAN) (eff. w/1975) (prior to Serial No. 6V100878)
—	—	1	2008303	BOX ASSY.—power cord storage (w/ZEO6582, ZEO6584) (exc./ RPO KNE)
—	—	1	2008305	BOX ASSY.—power cord storage (w/ZEO6582, ZEO6584) (exc./ RPO KNE)
—	—	1	2007952	BOX ASSY.—power cord storage (STD) (w/out ZEO6582, ZEO6584) (eff. w/Serial No. 6V100878)
—	—	1	2007953	BOX ASSY.—power cord storage (w/RPO KNC) (w/ZEO6582, ZEO6584) (eff w/serial no. 6V100878)

23.043 DOOR — WATER AND ELECTRIC (Cont.)

—	—	1	2000059	TAG—AC electric connection (this connection for 120/240 volt AC, 3 pole, 4 wire, 60 cycle supply, 40 amp. service) (repl. 791692)
—	—	1	NS	GROMMET—power cord box (w/791175)

23.044 ELECTRICAL COMPARTMENT — OUTSIDE (OUTLET)

—	—	1	—	LOCK UNIT—cylinder (see group 23.065)
—	—	1	9728247	RETAINER—lock
—	—	1	2005009	COMPARTMENT ASSY.—electrical outlet (prior to intern 1976) (incl. next (5) items)
—	—	1	2005000	COMPARTMENT—electrical outlet
—	—	1	2004900	DOOR ASSY.—compartment
—	—	1	2005014	STRIKER—compartment door
—	—	4	700368	RIVET—door & striker to compartment
—	—	4	446161	WASHER—rivet to compartment
—	—	1	2004915	DOOR—electrical compartment
—	—	1	703710	HINGE ASSY.—door
—	—	1	2005011	SEAL—receptacle panel
—	—	1	2012752	COMPARTMENT ASSY.—electric outlet (eff. w/intern. 1976) (incl. next (6) items)
—	—	1	2012757	COMPARTMENT—electric outlet
—	—	1	2012755	DOOR ASSY.—compartment
—	—	1	2012754	DOOR—electric compartment
—	—	1	703710	HINGE ASSY.—door
—	—	1	2005014	STRIKER—compartment door
—	—	4	700368	RIVET—door & striker to compartment
—	—	1	2030079	SET ASSY.—electric outside (110V) receptacle (1978) (w/RPO U97, & ZEO6581) (ref. only) details not available at time of publication
—	—	1	2030077	LOCK SET—secondary (1978) (w/RPO ENN) (w/out RPO ENA)
—	—	1	2030078	LOCK SET—secondary (1978) (w/RPO ENA) (w/out ENN)
—	—	1	2030116	LOCK SET—secondary (1978) (w/RPO ENA & ENN)
—	—	1	2028776	LOCK SET—secondary (1978) (w/out RPO ENN or U97)
—	—	1	2030075	LOCK SET—secondary (1978) (w/RPO ENN) (w/out RPO U97)
—	—	1	2030076	LOCK SET—secondary (1978) (w/out RPO ENA or U97)

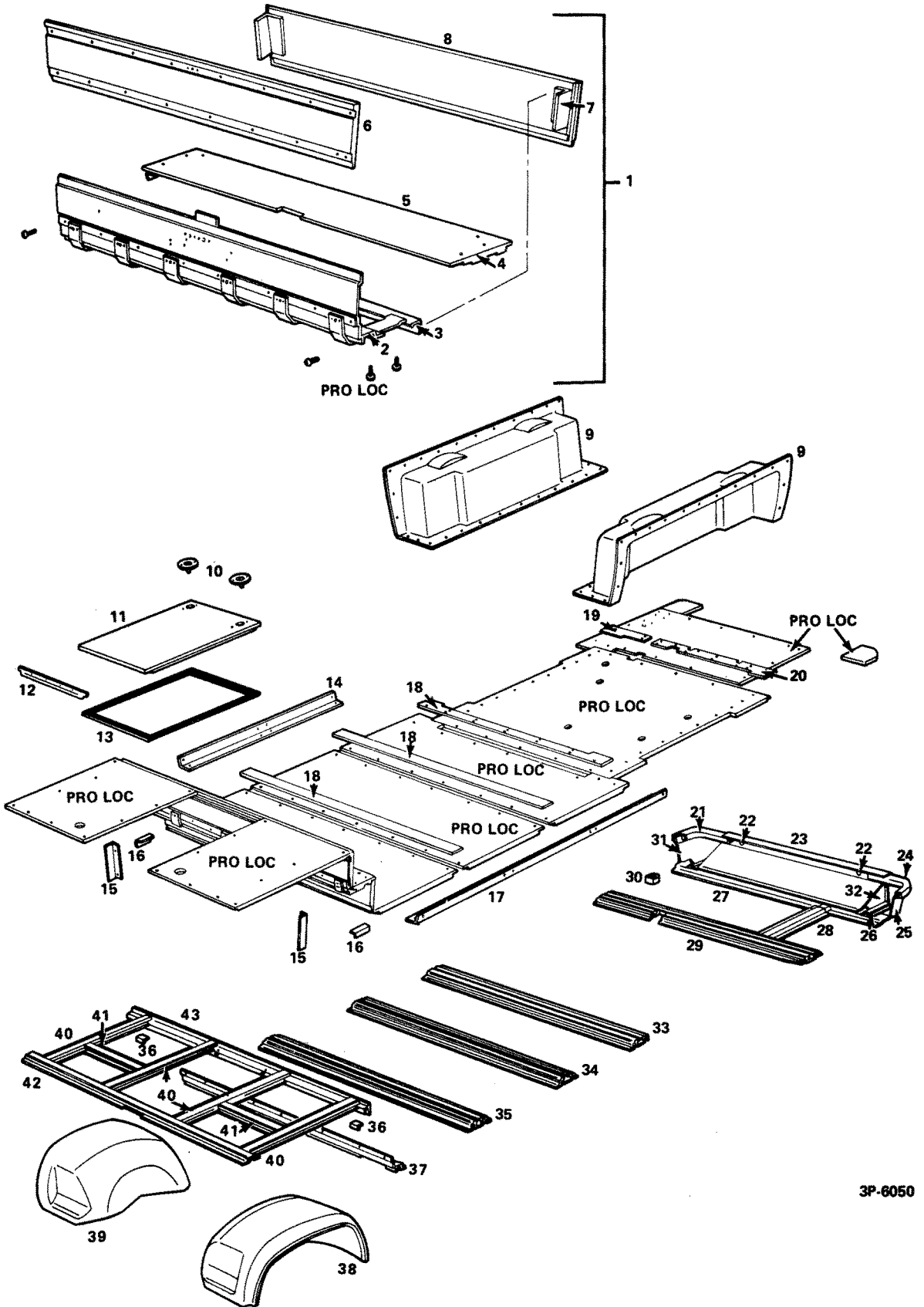
NOTE: The above (6) lock set assy. are listed for ref. only use the following (5) details

—	—	1	—	CYLINDER ASSY.—side entrance door lock (see group 23.065)
—	—	1	—	CYLINDER ASSY.—instrument panel glove box lock (see group 23.050F)
—	—	3	—	CYLINDER ASSY.—water & elect access door lock (see group 23.043) (Note: Use Qty. of (2) w/lock set 2028776, 2030075 & 2030076)
—	—	3	—	CYLINDER ASSY.—cabinet lock (see group 28.120) (Note: Use Qty. of (2) w/lock set 2030075 & 2030078) (Use Qty. (1) w/lock set 2030076 & 2030077)
—	—	2	NPN	KEY—cylinder lock (procure locally) (ref. 7025287)
—	—	1	2030224	PLATE—lock (w/RPO U97) (1978)
—	—	1	2030223	CATCH—lock striker (w/RPO U97) (1978)
—	—	1	—	RECEPTACLE ASSY.—outside electric (see group 7.090)
—	—	1	—	CLIP—receptacle wiring harness (see group 7.090)
—	—	1	2004967	SPACER—receptacle to outlet compartment
—	—	2	—	SCREW—spacer to compartment and receptacle (ref. 9425533)
—	—	1	2004614	COVER ASSY.—receptacle, weatherproof (w/ZEO6581)
—	—	1	2014007	COVER ASSY.—receptacle, weatherproof (w/ZEO6584)
—	—	1	2002635	CYLINDER ASSY.—lock, door (SOA) (1975-1976)
—	—	1	2010292	CYLINDER ASSY.—lock, door (also use 3-2010410) (repl. 2010505) (eff. w/1976)

BODY

NOTES

BODY



3P-6050

23.045 FLOOR SUPPORT AND WHEELHOUSE

BODY

KEY 230 260 PART NUMBER

23.045 FLOOR SUPPORT AND WHEELHOUSE

1	1	1	688802	RISER ASSY.—driver's floor (prior to 1975)
1	1	1	792481	RISER ASSY.—driver's floor (eff. w/ 1975 and prior to Serial No. 6V100878)
1	1	1	2006418	RISER ASSY.—driver's floor (eff. w/Serial No. 6V100878)
 NOTE: The above [3] Riser Assemblies include the next [7] items.				
2	1	1	698188	SUPPORT—step to upper riser
3	1	1	—	SUPPORT—step to lower riser (ref. 698121) (make locally)
4	2	2	707835	ANGLE—reinforcement
5	1	1	NPN	STEP—floorboard (procure locally)
6	1	1	NPN	RISER—upper floorboard (procure locally)
7	2	2	701439	SHIELD—splash, lower riser
8	1	1	NPN	RISER—lower floorboard (procure locally)
9	2	2	691634	PANEL—rear wheelhouse inner (prior to Serial No. 4V101022)
9	2	2	721321	PANEL—rear wheelhouse inner (eff. w/Serial No. 4V101022) (prior to Serial No. 6V100878)
9	2	2	2027321	PANEL—rear wheelhouse inner (eff. w/Serial No. 6V100878) (prior to 1978) (repl. 2006222)
9	2	2	2027321	PANEL—rear wheelhouse inner (1978)
10	2	2	717332	LATCH ASSY.—engine cover (repl. 703069)
11	1	1	712942	FLOOR ASSY.—engine cover (incl. items 10-11)
11	1	1	—	INSULATION—floor, engine cover (procure locally) (ref. 2000261)
11	1	1	794439	COVER—floor, engine
11	8	8	—	SCREW—cover to floor (repl. 9425632) (ref. 9425622)
11	4	4	9418338	SCREW—latch to floor
11	4	4	9411281	NUT—screw
11	AR	AR	716228	SEAL—cover (16.16" length)
12	1	1	712123	RETAINER—engine cover
13	AR	AR	8884096	SECTION—elastometric, extruded (210" lg., CTL)
14	1	—	698199	BRACE—floor to RH body side post, at riser (prior to 1975)
14	—	1	698197	BRACE—floor to RH body side post, at riser (prior to 1975)
14	1	—	—	BRACE—floor to RH body side post, at riser (Transmode) (ref. 793151)
14	—	1	—	BRACE—floor to RH body side post, at riser Std. (eff. w/1975) (ref. 792010)
15	2	2	701439	SHIELD—splash
16	2	2	707835	ANGLE—reinforcement
17	1	—	698200	BRACE—floor to LH body side post, at riser (prior to 1975)
17	—	1	698198	BRACE—floor to LH body side post, at riser (prior to 1975)
17	1	—	—	BRACE—floor to LH body side post, at riser (Transmode) (repl. 793152)
17	—	1	—	BRACE—floor to LH body side post, at riser (eff. w/1975) (repl. 792009)
18	1	—	714460	COVER—floor support, center (prior to Serial No. 4V101024) (Motorhome) (RH/LH)
18	AR	—	721349	COVER—floor support, intermediate (eff. w/Serial No. 4V101024) (CTL)
18	1	—	714463	COVER—floor support, intermediate (prior to Serial No. 4V101024) (motor home)
18	2	—	721367	COVER—floor support, rear, intermediate (eff. w/Serial No. 4V101024)
18	—	1	721349	COVER—floor support, front, intermediate (eff. w/Serial No. 4V101024)
18	—	1	721348	COVER—floor support, intermediate (eff. w/Serial No. 4V101024)
18	—	1	721347	COVER—floor support, rear, intermediate (eff. w/Serial No. 4V101024)
18	1	—	721346	COVER—floor support, rear (eff. w/Serial No. 4V101024)
19	—	1	721343	COVER—floor support, rear, RH (eff. w/Serial No. 4V101024)
20	—	1	721344	COVER—floor support, rear, LH (eff. w/Serial No. 4V101024)
21	2	2	691646	CHANNEL—extension, rear (incl. support, RH)
22	2	2	701354	SPACER—body mount
23	1	1	691643	COVER—rear floor (prior to 1975)
23	1	1	791378	COVER—rear floor (Transmode) (repl. 792406) (exc./ RPO BRR, BRS)
23	1	—	2009108	COVER—rear floor (Transmode) (w/RPO BRR, BRS)
23	—	1	791378	COVER—rear floor (eff. w/1975)
24	1	1	698170	CHANNEL—extension, rear (incl. support, LH)
25	1	1	696172	SUPPORT—floor, (LH)
26	2	2	698109	SUPPORT—floor, rear side, rear (34.34" lg. CTL)
27	1	1	698110	SUPPORT—rear floor, rear (prior to 1975)
27	1	1	791377	SUPPORT—rear floor, rear (eff. w/1975 and prior to Serial No. 6V100878)

BODY

KEY 230 260 PART NUMBER

23.045 FLOOR SUPPORT AND WHEELHOUSE (Cont.)

27	-	1	-	CROSSMEMBER—rear floor, full (procure locally) (eff. w/Serial No. 6V100878) (ref. 791354)
28	1	1	698109	SUPPORT—floor, longitudinal, LH side rear (prior to 1975) (34.34" lg.)
28	-	1	791375	SUPPORT—rear floor, longitudinal LH side rear (eff. w/1975) (30.74" lg.) (prior to Serial No. 6V100878)
28	-	1	2010165	MEMBER—motor generator, longitudinal (eff. w/Serial No. 6V100878)
29	1	-	698107	SUPPORT—floor, rear front (prior to 1975)
29	-	1	698102	SUPPORT—floor, rear front (prior to 1975)
29	-	1	791353	SUPPORT—floor, rear front (eff. w/1975 and prior to Serial No. 6V100878)
29	1	1	2005847	CROSSMEMBER—floor, rear wheelhouse (eff. w/Serial No. 6V100878)
30	-	2	698173	REINFORCEMENT—floor, wheelhouse support (prior to Serial No. 4V101024)
30	-	1	721351	REINFORCEMENT—floor, wheelhouse support (eff. w/Serial No. 4V101024)
30	-	2	791365	REINFORCEMENT—floor, wheelhouse support (eff. w/1975 and prior to Serial No. 6V100878)
31	1	1	696160	SUPPORT—floor, RH side
32	1	1	696172	SUPPORT—floor, LH side
33	1	1	698107	SUPPORT—floor, rear intermediate front (prior to 1975)
33	1	1	791372	SUPPORT—floor, rear intermediate front (eff. w/1975 and prior to Serial No. 6V100878)
33	AR	AR	2005846	CROSSMEMBER—floor, front wheelhouse (eff. w/Serial No. 6V100878)
34	1	2	694031	SUPPORT—floor, intermediate (prior to 1975)
34	-	AR	792408	SUPPORT—floor, intermediate (w/out RPO APN) (eff. w/1975 and prior to Serial No. 6V100878)
34	-	3	2005845	SUPPORT ASSY.—seat belt (eff. w/Serial No. 6V100878)
35	4	6	-	SUPPORT—floor, front intermediate (eff. w/1975) (procure locally) (ref. 791354)
36	1	1	701431	EXTENSION—front floor support (1973)
36	1	1	703235	EXTENSION—front floor support (eff. w/1974)
37	1	1	694030	SUPPORT—floor, front (prior to 1975)
37	1	1	791359	SUPPORT—floor, front (eff. w/1975)
38	1	1	696199	PANEL—wheelhouse, LH front
39	1	1	696198	PANEL—wheelhouse, RH front
40	4	4	698109	SUPPORT—driver's floor, longitudinal (1973)
40	4	4	712126	SUPPORT—driver's floor, longitudinal (eff. w/1974)
41	2	2	698109	SUPPORT—driver's floor, cross front (1973)
41	2	2	712129	SUPPORT—driver's floor, cross front (eff. w/1974)
42	1	1	698101	SUPPORT—driver's floor, front (prior to Serial No. 6V100878)
42	1	1	2009160	SUPPORT—driver's floor, front (eff. w/Serial No. 6V100878)
43	1	1	698189	SUPPORT—driver's floor riser (1973)
43	1	1	712130	SUPPORT—driver's floor, riser (eff. w/1974)
-	1	1	701433	CAP—end, rear floor support to cover (RH)
-	1	1	701432	CAP—end, rear floor support to cover (LH)
-	2	2	792846	CAP—end, front LH (eff. w/1975)
-	2	2	792848	CAP—end, front RH (eff. w/1975)
-	1	2	792847	CAP—end, LH rear (eff. w/1975)
-	1	2	792845	CAP—end, RH rear (eff. w/1975)
-	-	2	792426	CROSSMEMBER—front floor (eff. w/1975) (Motorhome) (prior to Serial No. 6V100878)
-	AR	AR	-	CROSSMEMBER—front floor (procure locally) (eff. w/Serial No. 6V100878) (ref. 791354)
-	-	1	791374	CROSSMEMBER—rear (55.60" lg.) (eff. w/1975) (motor home) (prior to Serial No. 6V100878)
-	-	1	791357	CROSSMEMBER—rear floor (eff. w/Serial No. 6V100878) (repl. 2010177) (CTL)
-	-	1	791357	CROSSMEMBER—rear floor, rear (w/out RPO KNC) (eff. w/Serial No. 6V100878) (repl. 2010177) (CTL)
-	-	1	791371	CROSSMEMBER—rear (21.82" lg.) (eff. w/1975 and prior to Serial No. 6V100878)
-	3	3	791367	CROSSMEMBER—wheelhouse (eff. w/1975 and prior to Serial No. 6V100878)
-	3	3	2005844	CROSSMEMBER—wheelhouse (eff. w/Serial No. 6V100878)
-	2	2	2006113	MEMBER ASSY.—wheelhouse floor, RH & LH longitudinal (eff. w/Serial No. 6V100878)

BODY

KEY 230 260 PART NUMBER

23.045 FLOOR SUPPORT AND WHEELHOUSE (Cont.)

-	1	1	791351	MEMBER ASSY.—wheelhouse floor, LH longitudinal (eff. w/ 1975 and prior to Serial No. 6V100878)
-	1	1	791389	MEMBER ASSY.—wheelhouse floor, RH (eff. w/ 1975 and prior to Serial No. 6V100878)
-	2	2	791373	REINFORCEMENT—wheelhouse floor, RH (eff. w/ 1975 and prior to Serial No. 6V100878)
-	-	1	792434	SUPPORT—storage compartment floor (eff. w/ 1975) (Motorhome)
-	-	3	792033	SUPPORT—wheelhouse floor, RH front (eff. w/ 1975 and prior to Serial No. 6V100878)
-	-	1	791358	SUPPORT—wheelhouse floor, rear (eff. w/ 1975 and prior to Serial No. 6V100878)
-	9	9	798681	BOLT—riser to support (special - 5/16-24 x 1-3/4) (1974) (repl. 2067939)
-	1	1	707028	MAT—driver's floor extension (1974)
-	4	4	3730562	FASTENER—mat to dash panel (1974)
-	1	1	708908	STRIP—mat to panel at floor filler (1974)
-	1	1	708916	RETAINER—mat to panel, LH (1974)
-	1	1	708909	RETAINER—mat to panel, RH (1974)
-	2	2	712125	GUSSET—front floor support, lower post (1974)
-	1	1	721352	INSULATION—driver's floor (cut outs)
-	1	1	721505	INSULATION—driver's floor (solid)
-	18	18	3980590	SCREW—wheelhouse to floor
-	1	1	791762	MAT—driver's floor extension (eff. w/ 1975)
-	1	1	708916	RETAINER—mat to panel, LH (eff. w/ 1975)
-	1	1	708909	RETAINER—mat to panel, RH (eff. w/ 1975)
-	8	8	792150	SCREW—retainer to floor (eff. w/ 1975)
-	4	4	3730562	FASTENER—mat to dash panel
-	2	2	721355	PANEL—rear floor insulation
-	1	1	701805	PLATE ASSY.—upper riser splash shield (1973)
-	1	1	717441	SEAL—shower trap hole (prior to 1975)
-	-	1	792008	SEAL—shower drain (eff. w/ 1975 and prior to Serial No. 6V100878)
-	12	12	700368	RIVET—front wheelhouse panel to side panel
-	1	1	714598	SHIELD—front wheelhouse RH panel
-	2	2	2305300	WASHER—wheelhouse panel to floor support bolt
-	1	1	701436	RETAINER—front floor panel
-	5	5	700368	RIVET—front floor panel retainer (1973)
-	2	2	2483950	NUT—speed, engine cover latch
-	2	2	701435	PLATE—mounting, engine cover latch (1973)
-	29	29	700368	RIVET—rear floor cover
-	80	80	700368	RIVET—floor to support (1973)
-	AR	AR	708648	RIVET—floor to support (1974)
-	AR	AR	708648	RIVET—wheelhouse inner panel to longitudinal support
-	2	2	2279500	RIVNUT—driver's floor to cross support (1973)
-	2	2	2497228	RIVNUT—driver's floor to cross support (1974)
-	-	4	798681	BOLT—cover, rear floor (eff. w/ 1975) (Motorhome) (5/16" - 24 x 1-3/4") (repl. 710083)
-	-	1	-	SHIELD—foam insulation at floor (polyethylene) (procure locally) (ref. 2004270)
-	AR	AR	2008781	SCREW—crossmember (support)

23.047 INSULATION — FLOOR

-	AR	AR	8885577	SHEFT ASSY.—insulation service (eff. w/ Serial No. 6V200878)
---	----	----	---------	--

NOTE: The following insulators are 1" thick urethane foam w/.0016 aluminum skin attached.
(prior to Serial No. 6V100878)

-	-	1	792014	INSULATION—floor (19.50" x 2.05")
-	-	1	792016	INSULATION—floor (21.28" x 12.06")
-	-	2	792018	INSULATION—floor (16.75" x 12.12")
-	-	1	792019	INSULATION—floor (24.20" x 21.38")
-	-	1	792439	INSULATION—floor (19.50" x 7.32")
-	-	1	792017	INSULATION—floor (58.50" x 19.50")
-	2	2	792028	INSULATION—floor (21.25" x 54.50")
-	1	1	792029	INSULATION—floor (11.75" x 54.50")
-	1	1	792435	INSULATION—floor (79.80" x 12.50")
-	1	-	792445	INSULATION—floor (54.00" x 16.75")

23.047 INSULATION — FLOOR (Cont.)

—	1	—	792446	INSULATION—floor (58.25" x 14.25")
—	—	1	792440	INSULATION—floor (16.75" x 54.00")
—	AR	AR	2002039	INSULATION—floor (19.50" x 48.65")
—	AR	AR	2002041	INSULATION—floor (19.50" x 17.00")
—	AR	AR	2002042	INSULATION—floor (19.50" x 10.00")
—	AR	AR	2002043	INSULATION—floor (21.75" x 79.80")
—	AR	AR	2002046	INSULATION—floor (19.50" x 79.80")
—	AR	AR	2002047	INSULATION—floor (19.50" x 79.80")
—	AR	AR	2002048	INSULATION—floor (19.50" x 79.80")
—	AR	AR	2002049	INSULATION—floor (15.00" x 79.80")
—	AR	AR	2002050	INSULATION—floor (14.25" x 79.80")
—	AR	AR	2002051	INSULATION—floor (12.62" x 79.80")
—	AR	AR	2002052	INSULATION—floor (19.50" x 79.80")
—	AR	AR	2002053	INSULATION—floor (19.50" x 79.80")

GROUP — WINDUW AND DOOR

INSULATION — WALL AND CEILING

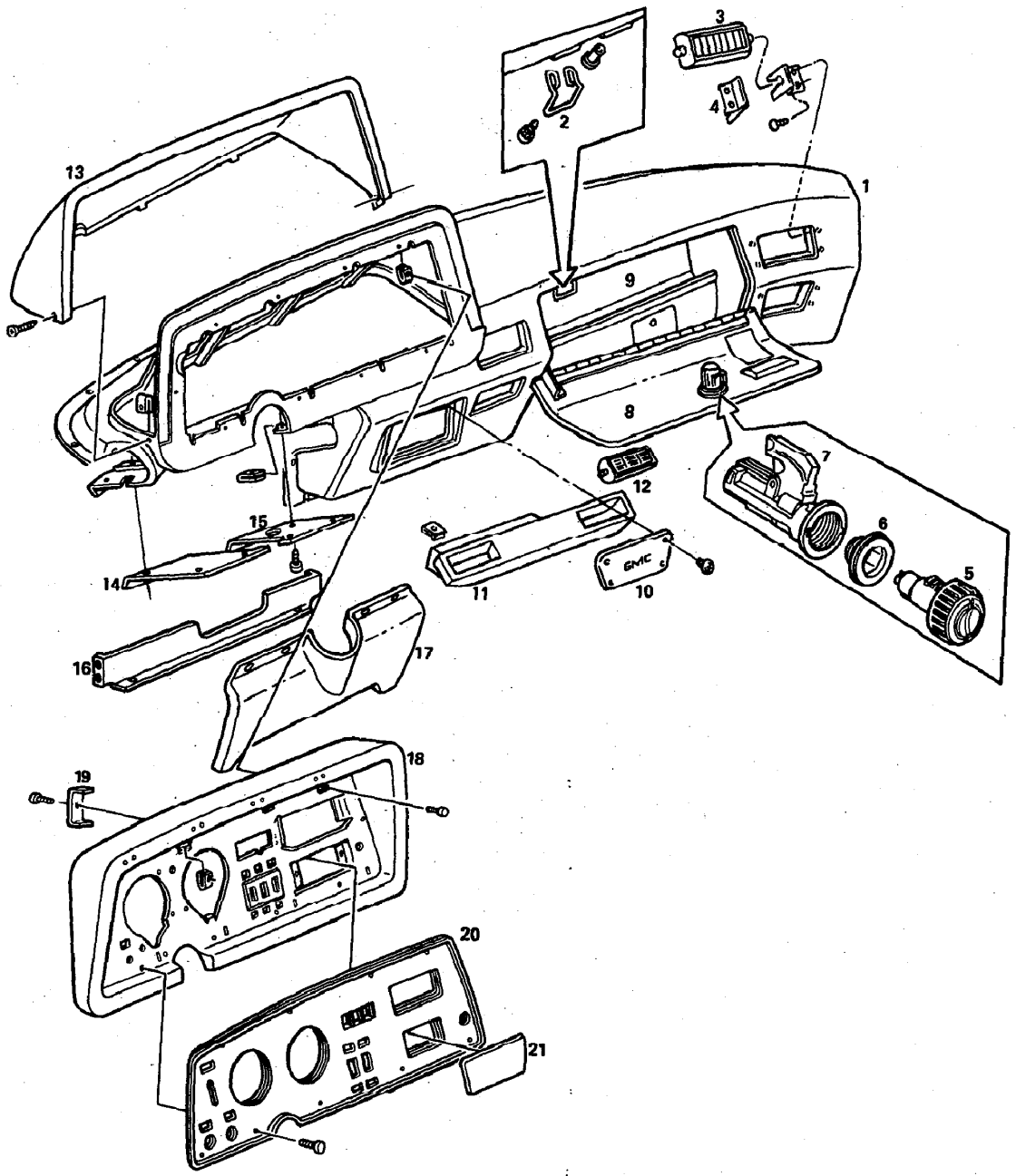
INSULATION — ROOF

—	1	—	792446	INSULATION—floor (58.25" x 14.25")
—	—	1	792440	INSULATION—floor (16.75" x 54.00")
—	AR	AR	2002039	INSULATION—floor (19.50" x 48.65")
—	AR	AR	2002041	INSULATION—floor (19.50" x 17.00")
—	AR	AR	2002042	INSULATION—floor (19.50" x 10.00")
—	AR	AR	2002043	INSULATION—floor (21.75" x 79.80")
—	AR	AR	2002046	INSULATION—floor (19.50" x 79.80")
—	AR	AR	2002047	INSULATION—floor (19.50" x 79.80")
—	AR	AR	2002048	INSULATION—floor (19.50" x 79.80")
—	AR	AR	2002049	INSULATION—floor (15.00" x 79.80")
—	AR	AR	2002050	INSULATION—floor (14.25" x 79.80")
—	AR	AR	2002051	INSULATION—floor (12.62" x 79.80")
—	AR	AR	2002052	INSULATION—floor (19.50" x 79.80")
—	AR	AR	2002053	INSULATION—floor (19.50" x 79.80")

BODY

NOTES

BODY



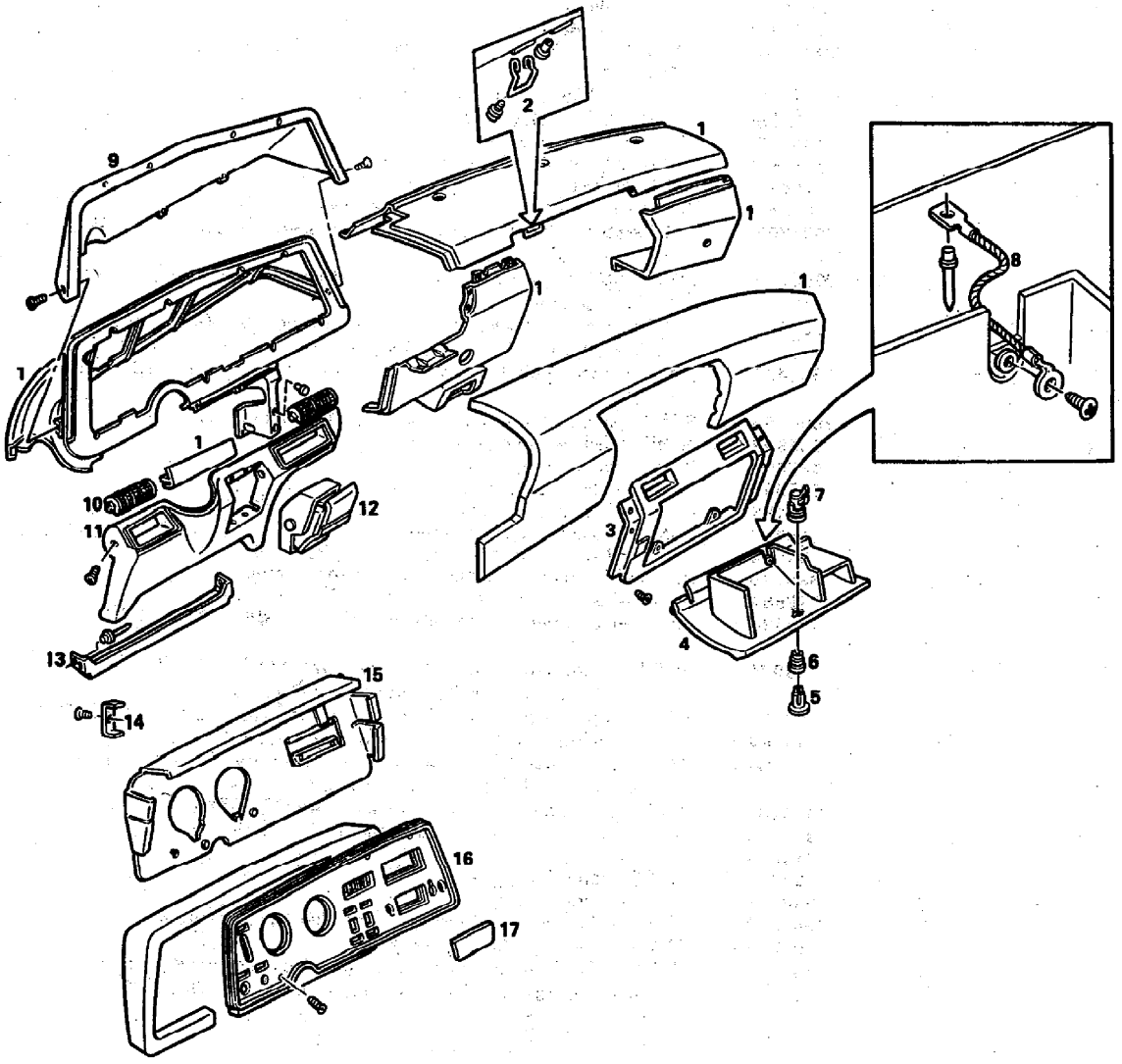
BODY

KEY 230 260 PART NUMBER

23.050 PANEL — INSTRUMENT (FIRST DESIGN)

1	1	1	694045	PANEL ASSY.—instrument (ref. only) (incl. next (3) items)
1	1	1	695691	PANEL—instrument, LH
1	1	1	695690	PANEL—instrument, RH
1	1	1	695696	PAD—main crash, instrument panel
2	1	1	407228	STRIKER—glove box door, (used w/695695)
2	1	1	403288	STRIKER—glove box door, (used w/715865)
3	4	4	698175	OUTLET—air duct
4	AR	AR	689645	CLIP—air outlet duct
5	1	1	2002634	CYLINDER ASSY.—glove box knob (eff. w/1975, prior to 1978) (repl. 9832566)
5	1	1	8808035	CYLINDER ASSY.—glove box knob (repl. 9721498) (1978)
6	1	1	403286	ESCUTCHEON—glove box door
7	1	1	403287	CASE ASSY.—glove box lock
8	1	1	715865	GLOVE BOX ASSY.—(repl. 695695)
9	1	1	715870	TRAY—glove box
10	1	1	701367	DECAL—cover (w/out leveling valve)
11	1	1	2005508	DUCT ASSY.—air conditioning (eff. w/serial no. 6V100057) (w/RPO 681, 696, 697), (dark saddle)
11	1	1	2005243	DUCT ASSY.—air conditioning (eff. w/serial no. 6V100057) (w/RPO 698) (avocado)
11	1	1	2005509	DUCT ASSY.—air conditioning (eff. w/serial no. 6V100057) (w/RPO 690, 692, 693, 695 & Transmode)
12	2	2	1602464	OUTLET ASSY.—air duct (eff. w/serial no. 6V100057) (w/2004783 bezel)
—	2	2	2004783	BEZEL—air conditioning duct (w/1602464 outlet assy.)
13	1	1	695693	PANEL—instrument cluster cowl
14	1	1	695699	PANEL—cover, lower access, LH
15	1	1	695698	PANEL—cover, lower access, RH
16	—	1	719185	BRACKET—panel mounting
17	—	1	718904	PANEL—valance, LH instrument
18	1	1	790064	CLUSTER ASSY.—instrument foam ring (repl. 695697)
19	1	1	326179	RETAINER—instrument panel radio opening cover
20	1	1	718584	BEZEL—instrument cluster (prior to 1975)
20	—	1	718584	BEZEL—instrument cluster (eff. w/1975) (w/RPO 698) (repl. 2001318)
20	1	1	790074	BEZEL—instrument cluster (rosewood) (w/RPO 681, 697) (eff. w/1975) (vehicles built prior to June 21, 1976)
20	—	1	790074	BEZEL—instrument cluster (Transmode) (rosewood grain) (w/RPO BRU)
20	1	1	718584	BEZEL—instrument cluster (Transmode) (w/out RPO BRU)
20	—	1	718584	BEZEL—instrument cluster (w/RPO 681, 697) (walnut) (vehicles built after June 21, 1976) (repl. 2001318)
20	—	1	2005465	BEZEL—instrument cluster (dark saddle) (w/ZEO 6582)
21	1	1	326178	COVER—instrument panel radio opening
—	—	1	715683	DOOR—fuse box
—	3	3	702125	HINGE—compartment door
—	6	6	696143	PLATE—hinge tapping
—	—	AR	8860544	STRIP—valance panel steering column filler (w/Eleganza I)
—	1	1	701837	PANEL—mounting, leveling valve
—	1	1	—	MODULE ASSY.—low coolant probe (black plastic) (located on LH side of instrument panel by steering column) (see group 7.042)

BODY



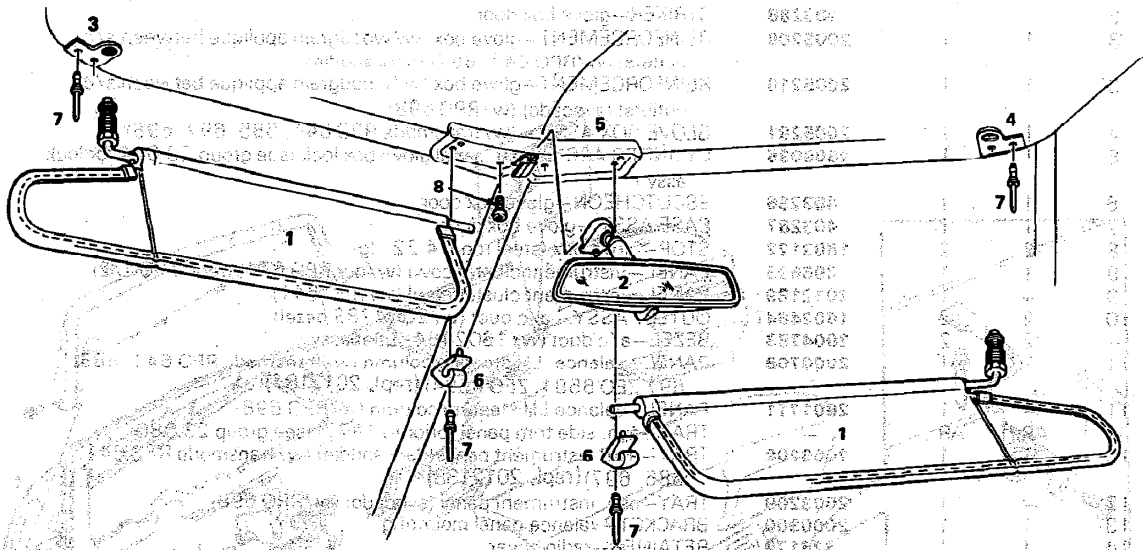
BODY

KEY 230 260 PART NUMBER

23.050F PANEL — INSTRUMENT (SECOND DESIGN)

1	1	1	2003627	PANEL ASSY.—instrument (dark saddle) (SOA) (Transmode RPO 641, 685, 697 & ZEO6581, ZEO6584)
1	—	1	2003628	PANEL ASSY.—instrument (avocado) (SOA) (w/RPO 698)
2	1	1	403288	STRIKER—glove box door
3	1	1	2005209	REINFORCEMENT—glove box (w/ woodgrain applique between a/c outlets) (w/RPO 641, 697) (dark saddle)
3	1	1	2005210	REINFORCEMENT—glove box (w/ woodgrain applique between a/c outlets) (avocado) (w/RPO 698)
4	1	1	2005281	GLOVE BOX ASSY.—(w/transmode RPO 641, 685, 697, 698)
5	1	1	8808035	CYLINDER ASSY.—inst. panel glove box lock (see group 23.044 for lock assy.)
6	1	1	403286	ESCUTCHEON—glove box door
7	1	1	403287	CASE ASSY.—glove box door
8	2	2	1603122	STOP—glove box (steel rope, 4.22" lg)
9	1	1	695693	PANEL—instrument cluster cowl (w/out RPO 641) (repl. 790072)
9	—	1	2012189	PANEL—instrument cluster cowl (w/RPO 641)
10	2	2	1602464	OUTLET ASSY.—a/c duct (w/2004783 bezel)
—	2	2	2004783	BEZEL—a/c duct (w/1602464 outlet assy.)
11	1	1	2000708	PANEL—valance, LH steering column (w/transmode RPO 641, 685, 697 ZEO 6581, ZEO 6584) (repl. 2012187)
11	—	1	2001711	PANEL—valance LH steering column (w/RPO 698)
—	AR	AR	—	TRAY—ash, side trim panel (prior to 1977) (see group 23.080)
12	1	1	2003208	TRAY—ash, instrument panel (dark saddle) (w/transmode RPO 641, 685, 697) (repl. 2012188)
12	—	1	2003209	TRAY—ash, instrument panel (avocado) (w/RPO 698)
13	1	1	2000300	BRACKET—valance panel mounting
14	1	1	326179	RETAINER—radio cover
15	1	1	2003206	PANEL ASSY.—instrument cluster foam ring (repl. 2003207, 2012186)
16	1	1	718584	BEZEL—instrument cluster (walnut) (repl. 2001318)
17	1	1	326178	COVER—radio cover
—	—	1	2034447	SEAL—dash panel (2.00" wide x 8.00" lg.)
—	—	1	2034448	SEAL—dash panel (2.00" wide x 34.00" lg.)

23.060 SUN VISOR AND MIRROR



3P-19005

KEY 230 260 PART NUMBER

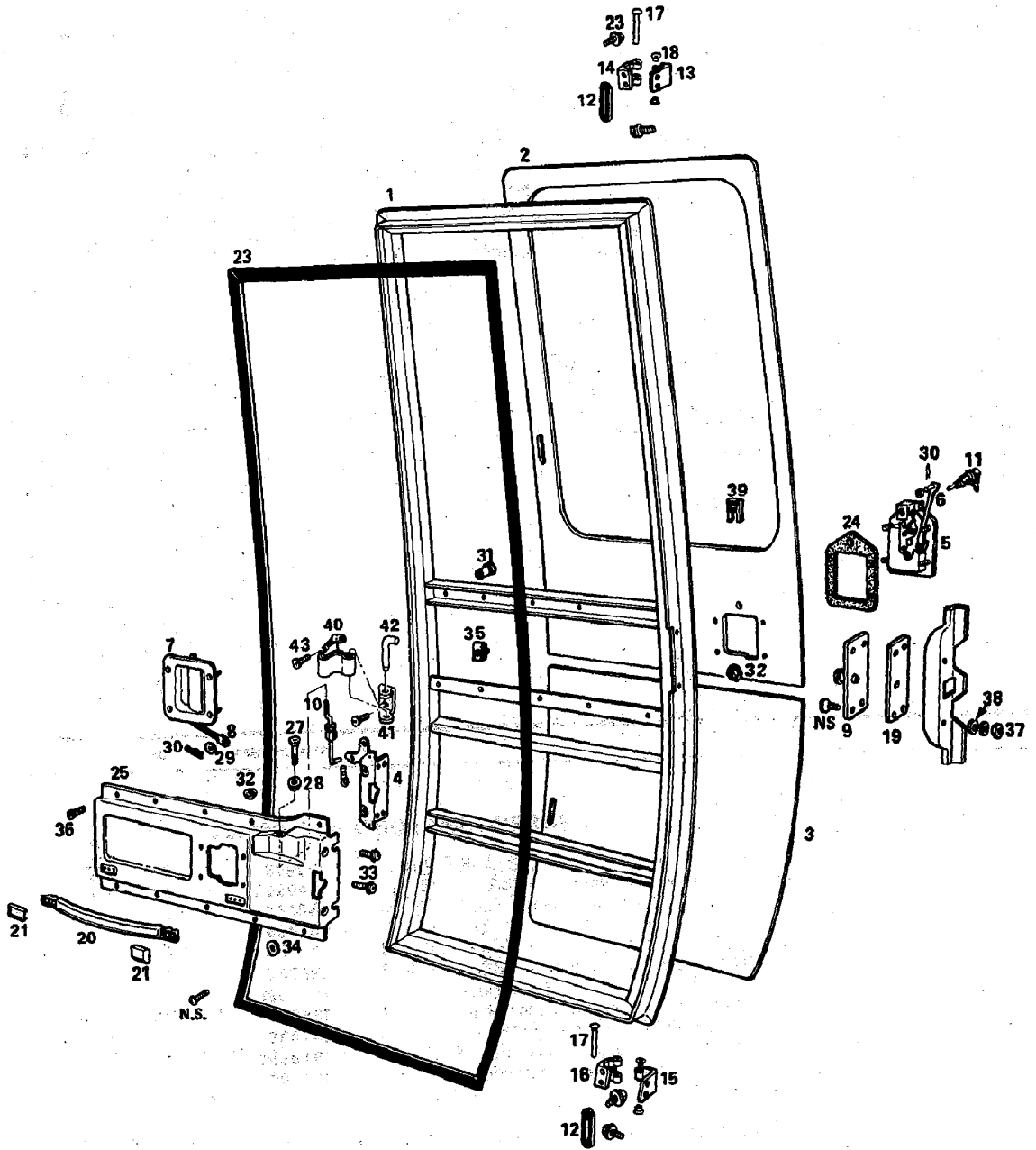
23.060 SUN VISOR AND MIRROR

1	2	2	689608	SUN VISOR ASSY.—RH & LH (prior to 1978)
1	1	1	2020477	SUNSHADE ASSY.—lighted (vanity mirror) (w/RPO D64) (1978)
2	1	1	911582	MIRROR ASSY.—rear view, inside
3	1	1	696150	BRACKET ASSY.—mounting, LH
4	1	1	696149	BRACKET ASSY.—mounting, RH
5	1	1	702582	BRACKET ASSY.—mounting, sun visor and mirror
6	2	2	3967324	CLIP—support, RH & LH
7	AR	AR	700368	RIVET—bracket assy. to front roof cap assy.
8	2	2	796748	SCREW—mounting brkt. (repl. 716839)
—	2	2	2436167	WASHER—sun visor clamp brkt screw
—	2	2	708648	RIVET—support clip to mirror mtg. brkt.

BODY

NOTES

BODY



3P-3050-177

23.065-DOOR-ENTRANCE

BODY

KEY 230 260 PART NUMBER

23.065 DOOR -- ENTRANCE

1	1	1	694029	DOOR ASSY.—entrance (repl. 694028) (ref. only)
1	1	1	716217	DOOR ASSY.—entrance (ref. only)
1	1	1	791395	DOOR ASSY.—entrance, (incl. frame and panels) (repl. 694029, 716217)
2	1	1	689606	PANEL—door, upper outer (used w/694029)
2	1	1	716214	PANEL—door, upper outer (used w/716217, 791395)
3	1	1	689604	PANEL—door, lower outer (used w/694029, 791395)
3	1	1	716213	PANEL—door, lower outer (used w/716217)
—	1	1	2007983	RAIL—belt, longitudinal (28.22" x 2.12") (extruded aluminum) (w/791395 door panel and frame assy.)
—	1	1	716191	LOCK ASSY.—door (complete, w/out cylinder) (eff w/Serial No 3V100168 & used w/service modification)
—	1	1	689344	LOCK ASSY.—door (complete, w/out cylinder) (first design) (prior to Serial No. 3V100168, w/out service modification)
—	1	1	NS	LOCK ASSY.—door (complete, w/out cylinder) (second design) (prior to Serial No. 3V100168, w/out service modification) (ref. 704910)
—	—	1	709156	LOCK UNIT—(incl. entrance door, glove box, water fill & water & electric access door cylinders, plus two (2) keys) (Motorhome) (1975)
—	—	1	798326	LOCK UNIT—(incl. entrance door, glove box & water & electric access door cylinders, plus two (2) keys) (Motorhome) (1976) (ref. only)
—	1	1	791197	LOCK UNIT—(incl. entrance door & glove box cylinders, plus two (2) keys) (Transmode) (1975) (ref. only)
—	1	1	798329	LOCK UNIT—(incl. entrance door & glove box cylinders, plus two (2) keys) (Transmode) (eff. w/1976) (ref. only)
—	1	1	2010292	LOCK UNIT—(incl. entrance door, glove box, water fill and water & electric, access door and electric, outlet compartment door cylinders plus two keys (eff. w/1977) (ref. only)
—	—	1	2004631	LOCK UNIT—(incl. entrance door, glove box, water & electric access door, water fill & outside electrical outlet compartment door cylinders, plus two (2) keys)
—	—	1	—	LOCK UNIT—(incl. cylinders for side entrance door, glove box, water & electric access door and outside electric outlet compartment plus [2] keys) (details not available at time of publication) (ref. 2008266)
4	1	1	716189	LATCH ASSY.—door (SOA)
5	1	1	716187	HANDLE ASSY.—door outside (incl. rod) (also order 1975 Cylinder)
6	1	1	716183	ROD ASSY.—handle, outside (incl. pin) (SOA) (w/716187)
7	1	1	716184	HANDLE ASSY.—door, inside (incl. rod)
8	1	1	716182	ROD ASSY.—handle, inside (SOA) (w/716184)
9	1	1	716180	PIN ASSY.—striker, (incl. plate) (SOA)
10	1	1	716188	ROD ASSY.—push button (SOA)
11	1	1	708337	CYLINDER ASSY.—door lock (w/704910 lock assembly) (second design) (prior to serial No. 3V100168)
11	1	1	717333	CYLINDER ASSY.—door lock (w/689344 lock asm.) (first design) (prior to serial No. 3V100168)
11	1	1	2002633	CYLINDER ASSY.—door lock (w/716191 lock asm.) (eff w/serial No. 3V100168)
11	1	1	717437	RETAINER—lock cylinder
12	2	2	694032	GROMMET—door hinge
13	1	1	689632	LEAF—upper door hinge
14	1	1	689649	LEAF—upper pillar hinge (used w/694029, 716217 791395 door) (repl. 76236)
15	1	1	689618	LEAF—lower door hinge (used w/694029, 716217, 791395 door) (repl. 716230)
16	1	1	689650	LEAF—lower pillar hinge (used w/694029, 716217 791395 door) (repl. 689650)
17	2	2	471209	PIN—hinge, upper and lower (used w/694029, 791395 door)
17	2	2	330423	PIN—hinge, upper and lower (used w/716217 door)
18	4	4	4150462	BUSHING—hinge to pin
19	1	1	716181	SHIM—striker plate
19	3	3	717189	SHIM—door latch striker
—	1	1	717100	PLATE ASSY.—door handle mounting
—	1	1	717185	PLATE—panel mounting, lower
—	1	1	717460	PANEL—doorlatch mounting (for opt. see 790073) (exc./ RPO 698)
—	1	1	—	PLATE—handle, mounting, outer (ref. 724489)
20	1	1	719653	HANDLE ASSY.—door pull (strap) (birch) (w/RPO 690)
20	1	1	719654	HANDLE ASSY.—door pull (strap) (teak) (w/RPO 692, 693, 695)

BODY

KEY 230 260 PART NUMBER

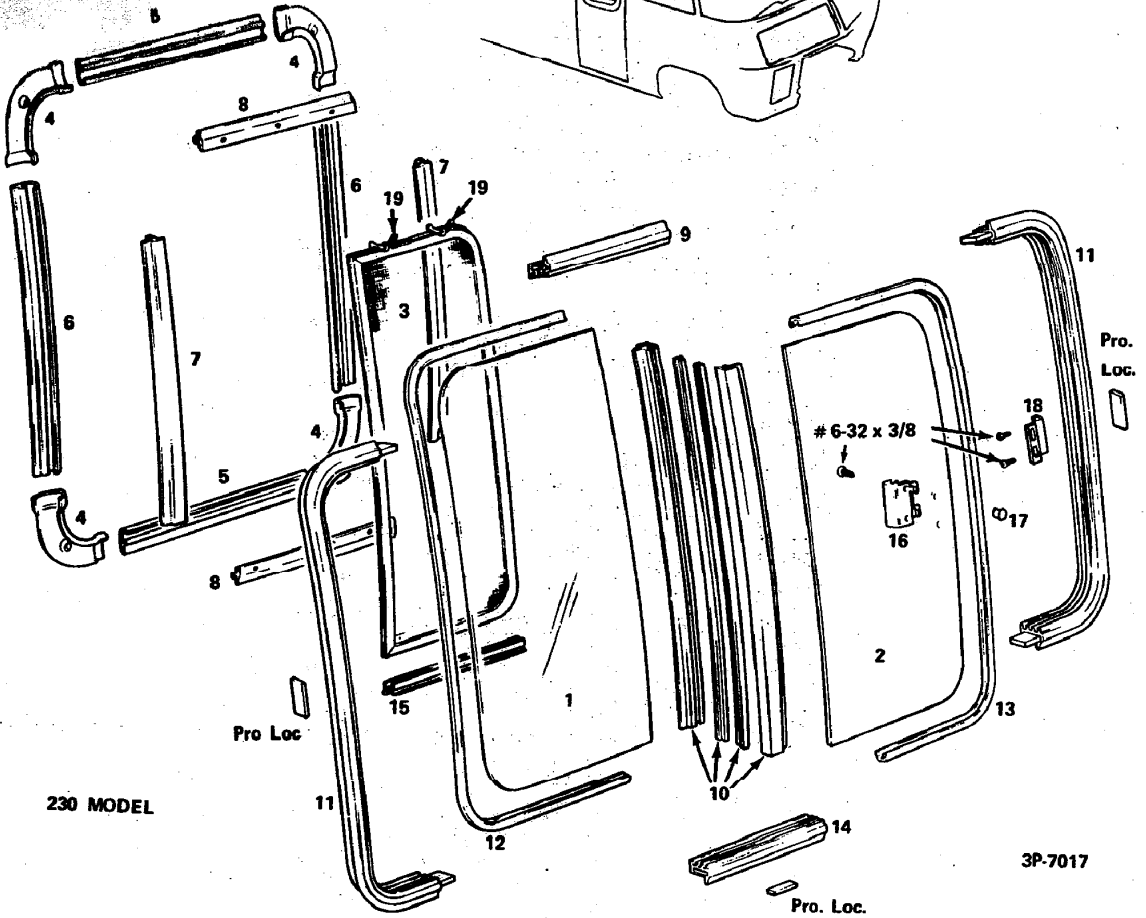
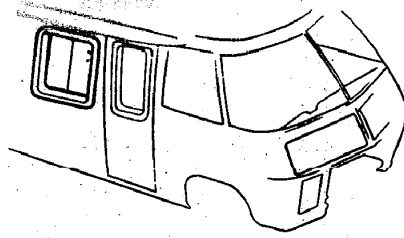
23.065 DOOR — ENTRANCE (Cont.)

20	1	1	2001359	HANDLE ASSY.—door pull (strap) (w/RPO 64 1, 68 1, 683, 696, 697, 698, & transmode) (saddle) (repl. 9643505) (when repl. 719640 also use 2-1653249 plate) (prior to 1978)
20	1	1	2029222	STRAP ASSY.—side entrance door pull (1978)
21	2	2	719640	PLATE—handle, strap (escutcheon) (w/719653, 719654) (ref. only) (repl. by 1-2001359 handle, 2-1653249 plate)
21	2	2	1653249	PLATE ASSY.—handle, strap (escutcheon) (plastic) (w/1653247, 2001359, 2001360) (repl. 7799435) (when repl. 719640 also use 1-2001359 handle) (prior to 1978)
21	2	2	20008916	PLATE ASSY.—side door pull strap (escutcheon) (1978)
22	AR	AR	8884086	SEAL—door weather (2 10" CTL) (prior to interm 1974)
22	1	1	716228	SEAL—door weather (eff. w/interm 1974)
23	4	4	3831892	SCREW—hinge to door frame (prior to 1975)
23	4	4	274905	SCREW—hinge to door frame (eff. w/1975)
24	1	1	716227	GASKET—door handle
25	1	1	2005286	PANEL—door latch mounting (paint as required) (repl. 716208, 716991, 790073 & 2000883) (prior to 1978)
25	1	1	2029191	PANEL ASSY.—side entrance door latch mounting (1978)
26	1	1	716201	REINFORCEMENT—lock pillar (repl. 717186)
26	1	1	716239	PAD—reinforcement, lock pillar (rubber)
27	1	1	798759	KNOB—door latch push button (repl. 9813799)
28	1	1	330495	GROMMET—knob, door latch push button
29	2	2	—	WASHER—spring (procure locally) (repl. 2297431)
30	2	2	716502	CLIP—hair pin
31	4	4	2226070	RIVNUT—handle mounting panel to door sash support
32	8	8	271166	NUT/WASHER ASSY.—inside and outside handle to handle mounting panel
33	2	2	189355	SCREW—panel (1/4-20 x 5/8)
34	1	1	140271	WASHER—screw, panel (No. 10)
35	1	1	1494251	NUT—latch mounting panel to mounting plate spring
36	4	4	3841575	SCREW—(10-32 x 1/2)
37	1	1	—	NUT—(5/16-18)
38	1	1	—	WASHER—(396 I.D.—734 O.D.)
39	1	1	9728247	RETURN F/D LOCK CYLINDER
40	1	1	3959858	STRAP ASSY.—entrance door check
40	1	1	2001359	STRAP ASSY.—entrance door check (w/RPO 685) (eff. w/interm 1977)
41	1	1	2009730	BRACKET—strap, door check (repl. 3794769)
42	1	1	3794770	PIN—door check strap to bracket
43	4	4	—	SCREW—bracket, door check strap (ref. 94 18374)
—	2	2	2248137	RIVNUT—strap
—	2	2	2228368	RIVNUT—strap to handle mounting panel
—	1	1	2226070	RIVNUT—handle mounting panel to door lock outer channel
—	AR	AR	702502	RAIL ASSY.—rub (CTL) (also see group 23.130)
—	2	2	701417	END CAP—moulding, rub rail
—	6	6	791803	HOOK—button, entrance door (eff. w/1975)
—	1	1	707961	PLUG—door panel hole
—	1	1	8884082	MOULDING—door, entrance, side rub rail (repl. 702396)
—	2	2	715166	RAIL ASSY.—weather strip check (incl. rail and seal)
—	1	1	8885580	PANEL—interior trim (48" x 48" ctl) (service blank) (rosewood) (w/RPO 681, 683, 697) (vehicles built prior to June 21, 1976)
—	1	1	8885579	PANEL—interior trim (48" x 48" ctl) (service blank) (walnut) (w/RPO 64 1, 697, 698) (vehicles built after June 21, 1976)
—	—	—	9686320	STRAP—entrance door assist
—	—	2	9685807	COVER—entrance door assist
—	—	—	2017795	SCREW—side entrance door strap to handle mounting panel (10-32 x 5/8 phillips)

BODY

NOTES

BODY



23.066 SASH - GALLEY, SLIDING (FIRST DESIGN)

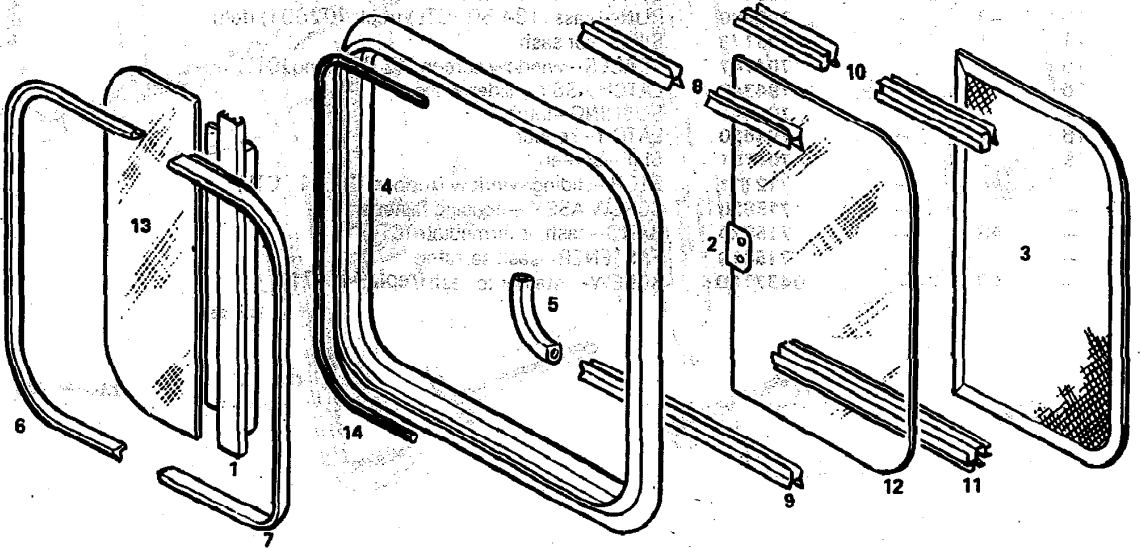
BODY

KEY 230 260 PART NUMBER

23.066 SASH — GALLEY, SLIDING (FIRST DESIGN)

—	1	—	702853	SASH ASSY.—side, inter., RH, front (with L.O.F. glass)
—	1	—	703050	SASH ASSY.—side, inter., RH, front, (tinted) (with L.O.F. glass)
1	1	—	702579	GLASS—intermediate RH front stationary (procure locally)
1	1	—	702578	GLASS—intermediate RH front stationary (tinted) (procure locally)
2	1	—	704619	GLASS—intermediate, RH front sliding (procure locally)
2	1	—	704618	GLASS—intermediate, RH front sliding (tinted) (procure locally)
3	1	—	702688	SCREEN ASSY.—glass
—	1	—	793674	KIT—moulding, sash-window, intermediate, RH, front (incl. next [3] items)
4	4	—	689623	MOULDING—sash, corner
5	2	—	702576	MOULDING—sash, horizontal (18.00")
6	2	—	702577	MOULDING—sash, vertical (23.24")
7	AR	—	711453	RETAINER—sash, vertical (10 ft. CTL) (repl. 702574)
8	AR	—	711453	RETAINER—sash, horizontal (10 ft. CTL) (repl. 702573)
9	1	—	702516	HEADER—sash, intermediate, (RH)
10	2	—	715166	RAIL ASSY.—weatherstrip check (incl. rail and seal)
11	2	—	689607	FRAME—sash
12	AR	—	702671	SEAL—fixed glass (86.88" CTL)
13	AR	—	702600	RUN—glass (134.50" CTL) (repl. 702601) (felt)
14	1	—	709173	SILL—rear sash
15	1	—	704747	SPACER—window screen (42.00" long, CTL)
16	1	—	704342	LATCH ASSY.—side window
7	2	—	704341	BUSHING—latch
18	1	—	704620	LATCH—keeper
19	2	—	706781	CLIP—screen
—	AR	—	712111	STOP—sliding window (rubber) (29.81" CTL)
—	1	—	715820	SCREW ASSY.—housing fastener
—	AR	—	715824	BAND—sash, intermediate (CTL)
—	1	—	715819	FASTENER—sash serrated
—	AR	—	9437760	SCREW—retainer to sash (repl. 9414712)

23.066H SASH - GALLEY, SLIDING (SECOND DESIGN)



3P-7024-276

3P-7024-276

23.066H SASH - GALLEY, SLIDING (SECOND DESIGN)

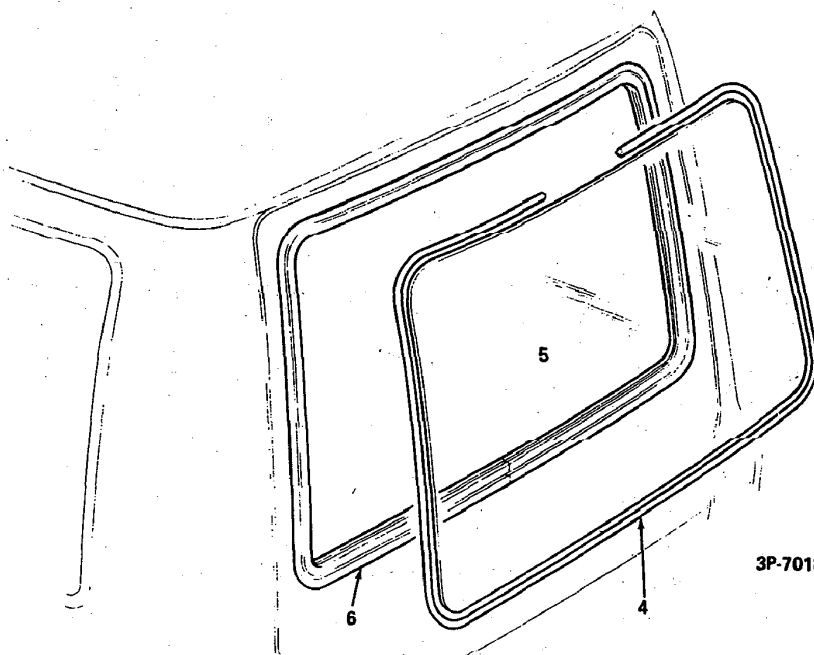
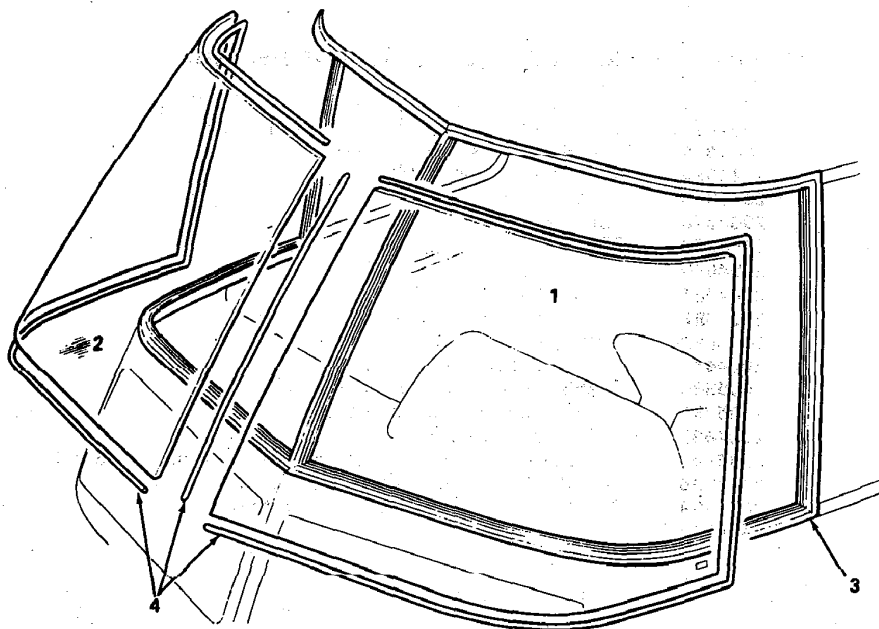
BODY

KEY 230 260 PART NUMBER

23.066H SASH GALLEY, SLIDING (SECOND DESIGN)

—	1	—	790839	SASH ASSY.—side, inter, RH front (w/P.P.G. GLASS) (interm 1975)
1	1	—	2004674	MULLION ASSY.—sash (SOA) (w/latch keeper)
2	1	—	2004675	LATCH ASSY.—sash (SOA) (RH/LH)
3	1	—	2010386	SCREEN ASSY.—sash (SOA)
4	1	—	2010375	FRAME—back
5	1	—	2004678	BUMPER—
6	1	—	2004679	BEAD—glazing (20 ft.)
7	1	—	2004680	GASKET—vent (20 ft.)
8	1	—	2004681	TRACK—top vent (8 ft.)
9	1	—	2004682	TRACK—bottom vent (8 ft.)
10	1	—	2004683	TRACK—top screen (8 ft.)
11	1	—	2004684	TRACK—bottom screen (8 ft.)
12	1	—	2005385	GLASS—vent (sliding) (procure locally)
13	1	—	2005386	GLASS—stationary (procure locally)
14	1	—	2004687	BEAD—adhesive (20 ft.)
—	AR	—	8885607	MOULDING—sash trim (white vinyl) (100' roll ctl) (repl. 886155)
—	2	—	2011596	RETAINER—sash vertical (repl. 2006575)
—	2	—	2011594	RETAINER—sash horizontal (repl. 2006590)
—	AR	—	9414712	SCREW—retainer to sash

BODY



3P-7018

KEY	230	280	PART NUMBER
-----	-----	-----	-------------

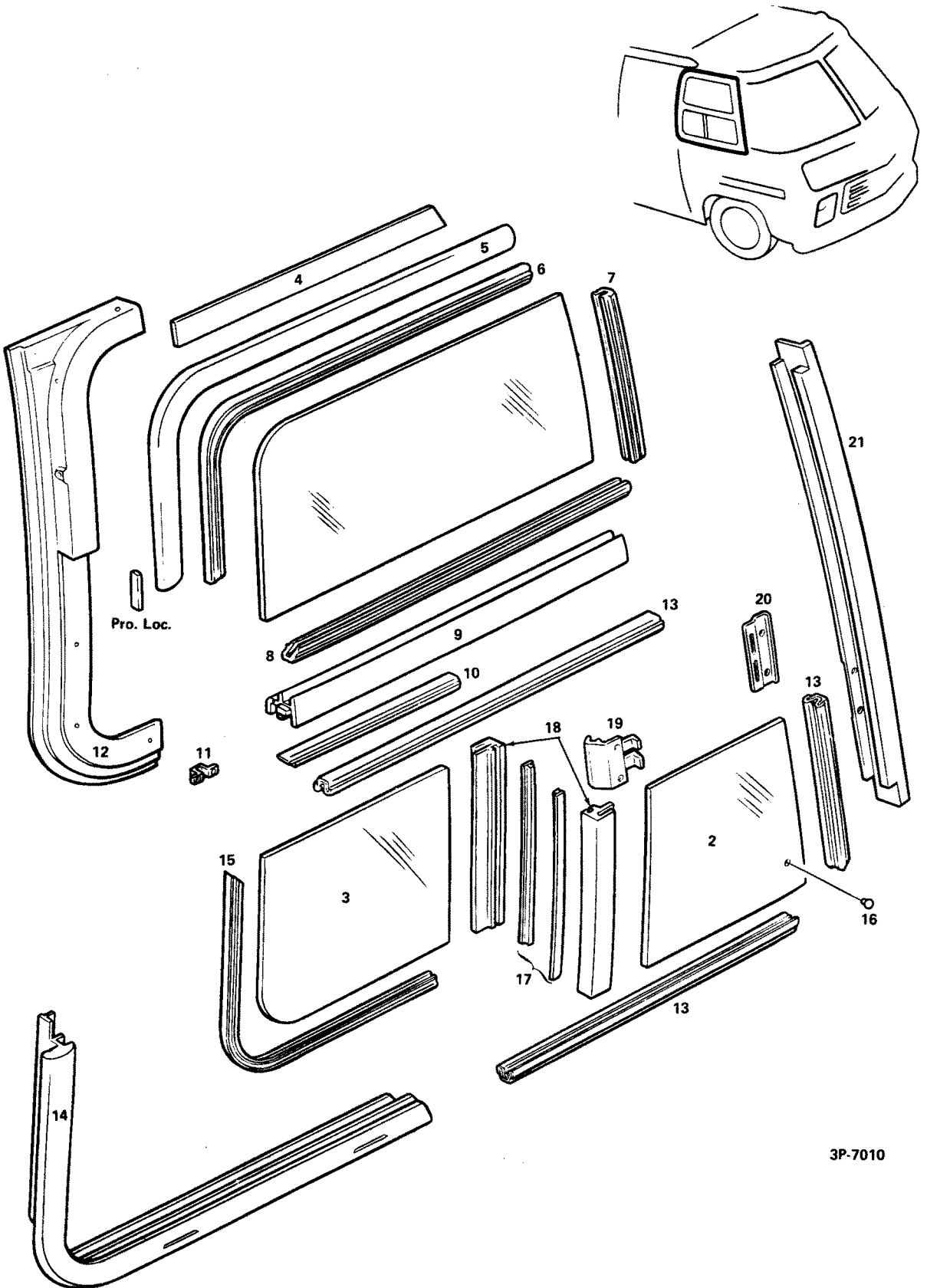
23:067 WINDSHIELD AND REAR WINDOW

1	1	1	691607	GLASS—windshield, LH (procure locally)
2	1	1	691606	GLASS—windshield, RH (procure locally)
3	1	1	701895	WEATHERSTRIP—windshield
4	AR	AR	2335017	FILLER—seal (25 ft. roll, CTL)
5	1	1	691649	GLASS—tinted, rear window (back lite) (procure locally)
5	1	1	691650	GLASS—rear window (back lite) (procure locally)
6	AR	AR	721869	WEATHERSTRIP—back glass (189.38") (CTL)
-	1	1	-	RING—pull emergency exit (see group 23.010)

BODY

NOTES

BODY



3P-7010

23.068 WINDOW ASSY.-RH FRONT-SLIDE ("A")

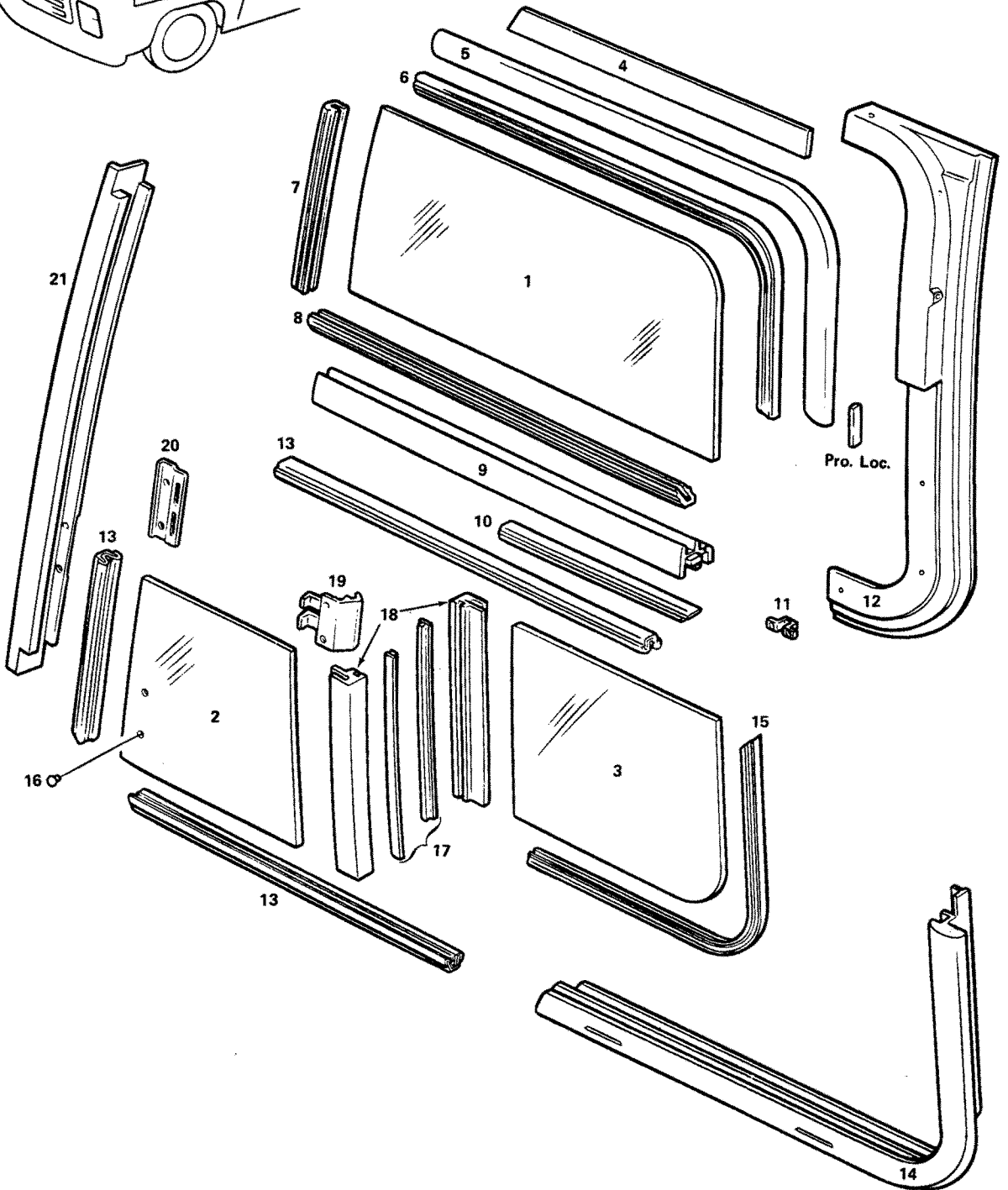
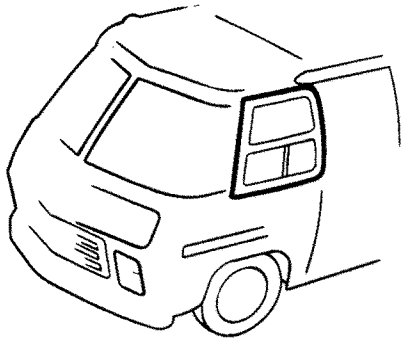
BODY

KEY 230 260 PART NUMBER

23.068 WINDOW ASSY. — RH FRONT — SLIDE "A"

—	1	1	791720	WINDOW ASSY.—RH side, "A" (eff. w/1975) (repl. 707488)
—	1	1	707488	WINDOW ASSY.—RH side, "A" (w/out glass) (prior to 1975) (SOA) (ref. only) (repl. 702847)
—	1	1	NS	WINDOW ASSY.—RH, side, "A" (w/out glass) (eff. w/1975) (SOA) (ref. 794506)
1	1	1	698140	GLASS—upper, RH (procure locally)
2	1	1	698142	GLASS—lower, front, RH (procure locally)
3	1	1	698144	GLASS—rear, lower, RH (procure locally)
4	1	1	698146	MOULDING—RH "A" window
5	1	1	NS	FRAME ASSY.—upper "A" window, (RH)
6	1	1	NS	SEAL—upper fixed sash
7	1	1	NS	SEAL—front, fixed sash, upper
8	1	1	NS	SEAL—lower, fixed sash, upper
9	1	1	NS	BAR—center window "A", (RH)
10	1	1	NS	SEAL—fixed seal, lower, upper
11	1	1	NS	SUPPORT—window to body
12	1	1	698148	MOULDING—"A" window rear, (RH)
13	AR	AR	702600	GLASS RUN—"A" sash channel (CTL) (felt)
14	1	1	NS	FRAME ASSY.—lower "A" window, (RH)
15	1	1	NS	SEAL—fixed sash, lower, lower
16	1	1	704341	BUSHING—latch (replaces 707486)
17	2	2	NS	RAIL—seal check
18	2	2	NS	RAIL—seal retainer check
19	1	1	704342	LATCH ASSY.—sliding window (replaces 707484)
20	1	1	707485	BRACKET—sliding window latch
21	1	1	NS	FRAME—front "A" window, (RH)
—	1	1	NS	SPACER—"A" RH window, upper
—	1	1	NS	SPACER—"A" RH window, lower
—	1	1	NS	SPACER—"A" RH window, rear
—	AR	AR	712111	STOP—sliding window (rubber) (29.81" CTL)
—	AR	AR	—	SEALER—clear (ref. only) (ref. 9985270)
—	AR	AR	—	SEALER—"A" window front pillar (ref. only) (ref. 8861476)
—	2	2	—	TAPE—"A" window to body (ref. only) (ref. 8861460)
—	AR	AR	—	SEALER—"A" window pillar to roof (ref. only) (ref. 8861489)
—	2	2	2009161	SHIELD—water, "A" window RH (eff. w/1975)

BODY



23.069 WINDOW ASSY-LH FRONT-SLIDE ("A")

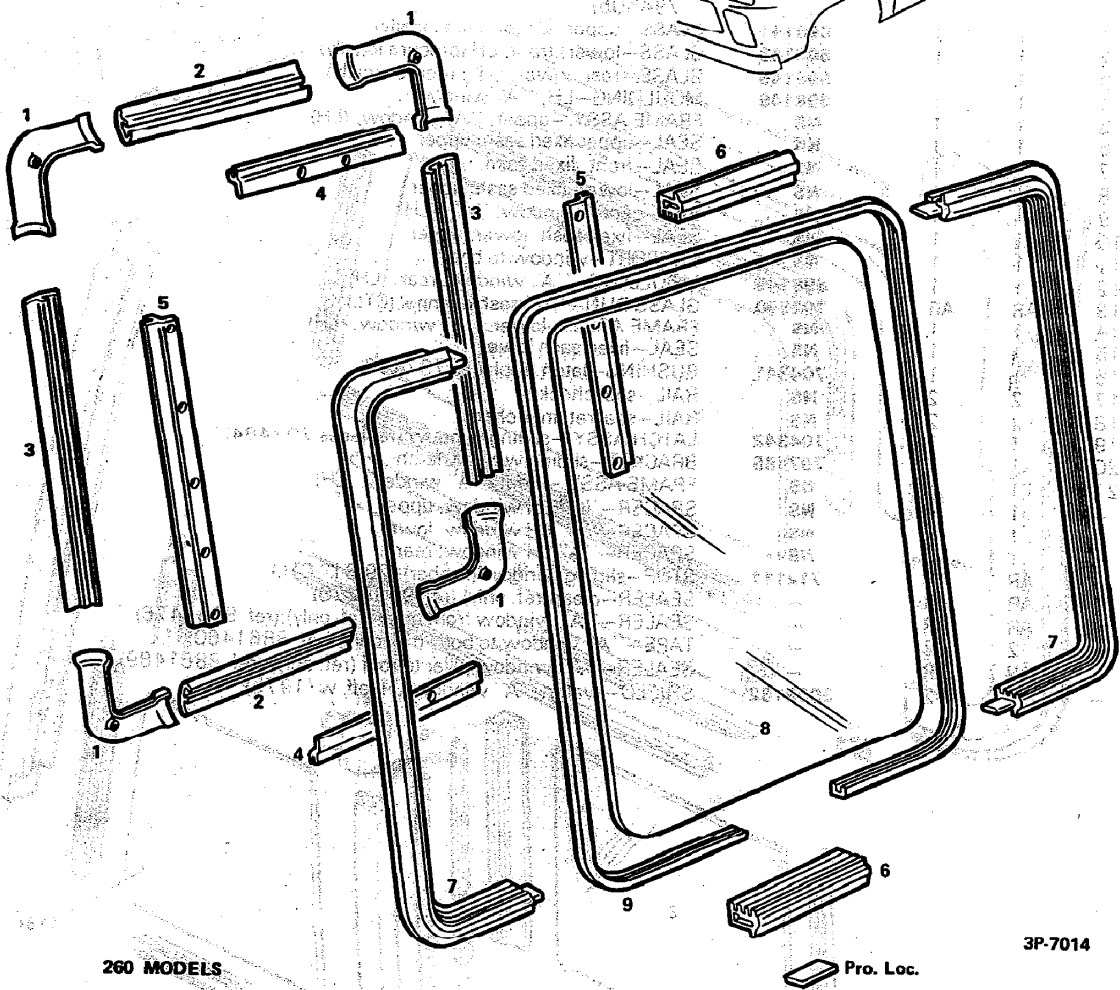
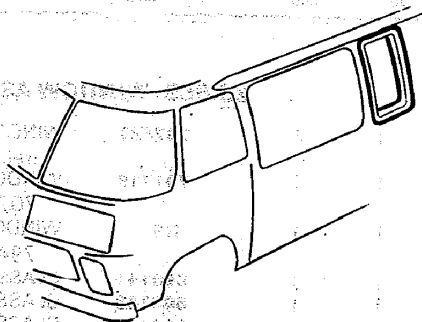
3P-7011

BODY

KEY 230 260 PART NUMBER

23.069 WINDOW ASSEMBLY—LH FRONT, SLIDE ("A")

—	1	1	707487	WINDOW ASSY.—LH, side, "A" (w/out glass) (prior to 1975) (ref. only) (ref. 707487) (SOA)
—	1	1	791719	WINDOW ASSY.—LH, side, "A" (ref. only) (eff. w/1975) (repl. 707487)
—	1	1	NS	WINDOW ASSY.—LH, side, "A" (w/out glass) (eff. w/1975) (SOA) (ref. 794505)
1	1	1	698141	GLASS—upper, LH (procure locally)
2	1	1	698143	GLASS—lower, front, LH (procure locally)
3	1	1	698145	GLASS—rear, lower, LH (procure locally)
4	1	1	698146	MOULDING—LH, "A" window
5	1	1	NS	FRAME ASSY.—upper, "A" window, (LH)
6	1	1	NS	SEAL—upper fixed sash, upper
7	1	1	NS	SEAL—front, fixed sash, upper
8	1	1	NS	SEAL—lower, fixed sash, upper
9	1	1	NS	BAR—center window, "A" (LH)
10	1	1	NS	SEAL—fixed sash, lower, upper
11	1	1	NS	SUPPORT—window to body
12	1	1	698149	MOULDING—"A" window, rear, (LH)
13	AR	AR	702600	GLASS—RUN—"A" sash channel (CTL)
14	1	1	NS	FRAME ASSY.—lower, "A" window, (LH)
15	1	1	NS	SEAL—fixed sash lower
16	1	1	704341	BUSHING—latch (replaces 707486)
17	2	2	NS	RAIL—seal check
18	2	2	NS	RAIL—seal retainer check
19	1	1	704342	LATCH ASSY.—sliding window (replaces 707484)
20	1	1	707485	BRACKET—sliding window latch
21	1	1	NS	FRAME ASSY.—front, "A" window, (LH)
—	1	1	NS	SPACER—"A" LH window, upper
—	1	1	NS	SPACER—"A" LH window, lower
—	1	1	NS	SPACER—"A" LH window, rear
—	AR	AR	712111	STOP—sliding window (rubber) (29.81" CTL)
—	AR	AR	—	SEALER—clear (ref. only) (ref. 9985270)
—	AR	AR	—	SEALER—"A" window front pillar (ref. only) (ref. 8861476)
—	2	2	—	TAPE—"A" window to body (ref. only) (ref. 8861460)
—	AR	AR	—	SEALER—"A" window pillar to roof (ref. only) (ref. 8861489)
—	2	2	2009162	SHIELD—water, "A" window LH (eff. w/1975)



260 MODELS

3P-7014

23.070 SASH - GALLEY AND ENTRANCE DOOR, STATIONARY (FIRST DESIGN)

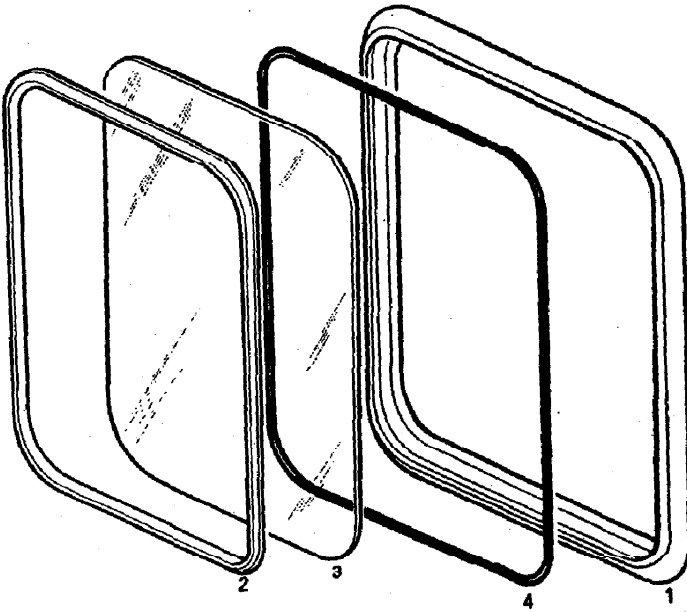
BODY

KEY 230 260 PART NUMBER

23.070 SASH — GALLEY & ENTRANCE DOOR — STATIONARY (FIRST DESIGN)

—	2	2	702854	SASH ASSY.—side, intermediate, (with L.O.F. glass) (ref. only) (see group 23.070H)
—	2	2	703101	SASH ASSY.—side, intermediate, (tinted) (with L.O.F. glass) (ref. only) (see group 23.070H)
—	2	2	793675	KIT—moulding, sash window, side, inter., (incl. next (3) items)
1	4	4	689623	MOULDING—sash, corner
2	2	2	689625	MOULDING—sash, horizontal (13.00")
3	2	2	702577	MOULDING—sash, vertical (23.24")
4	2	2	711453	RETAINER—sash, horizontal (CTL) (repl. 702572)
5	2	2	711453	RETAINER—sash, vertical (CTL) (repl. 702574)
6	2	2	689620	HEADER—sash, inter., (LH)
7	1	1	689607	FRAME—sash
8	1	1	689636	GLASS—inter., (procure locally)
8	1	1	689638	GLASS—inter., (procure locally) (tinted)
8	1	1	691649	GLASS—back lite, entrance door (Transmode) (procure locally)
9	1	1	702664	SEAL—fixed glass
—	1	1	715820	SCREW ASSY.—housing fastener
—	AR	AR	715824	BAND—sash intermediate (CTL)
—	1	1	715819	FASTENER—sash serrated
—	AR	AR	9414712	SCREW—retainer to sash

BODY



3P-7023-276

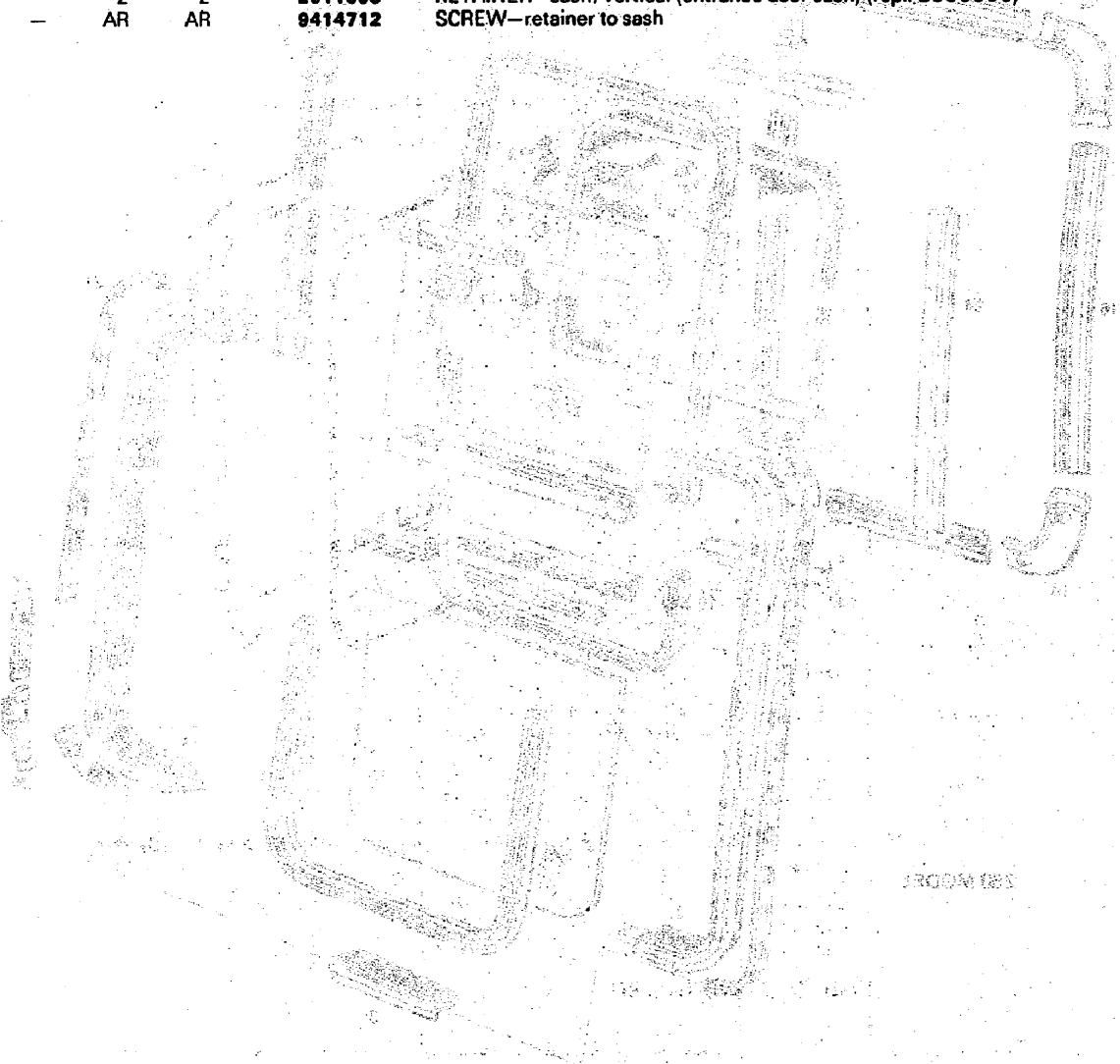
23.070H GALLEY AND ENTRANCE DOOR STATIONARY (SECOND DESIGN)

BODY

KEY 230 260 PART NUMBER

23.070H SASH — GALLEY & ENTRANCE DOOR — STATIONARY (SECOND DESIGN)

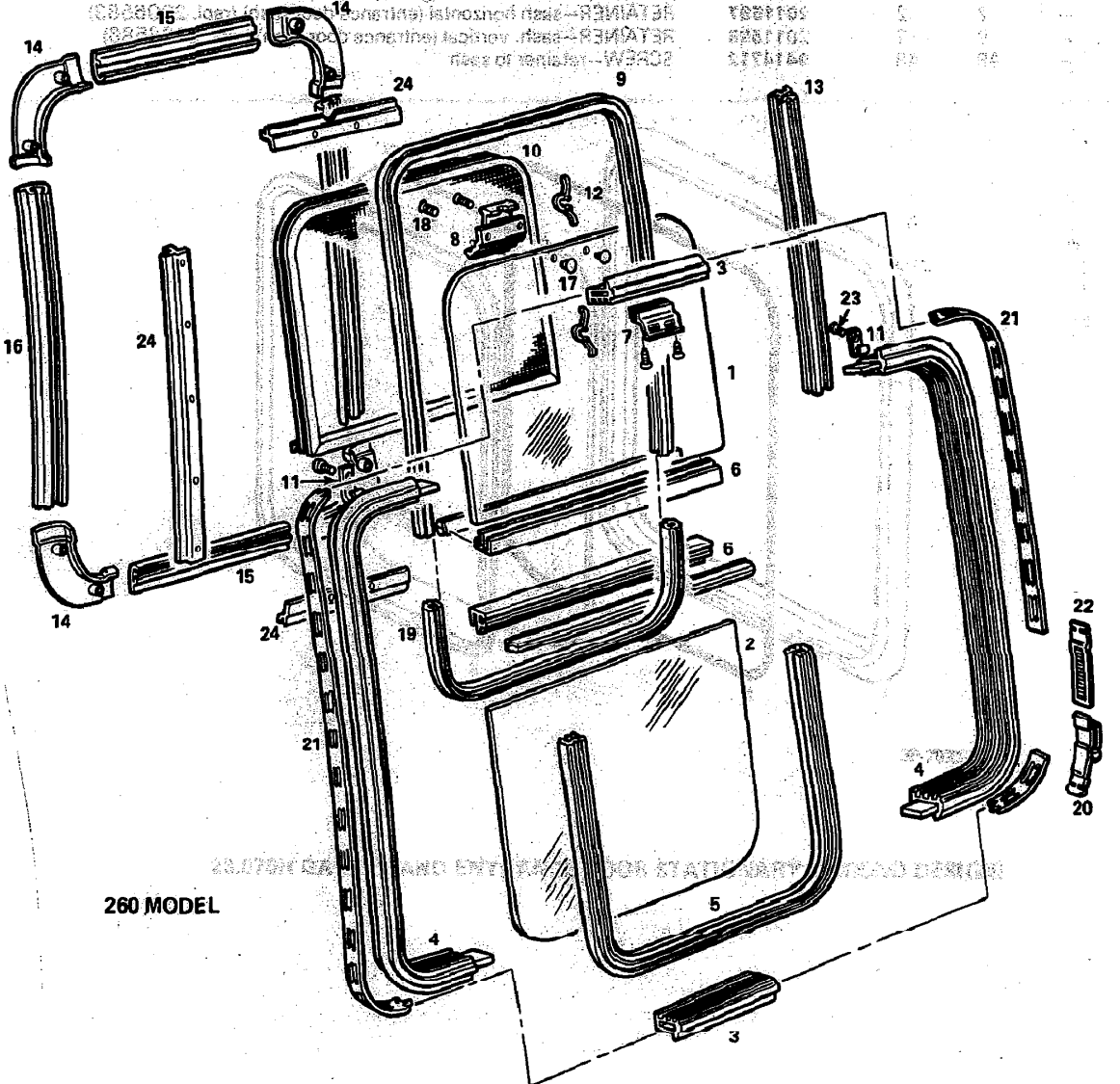
—	2	2	790838	SASH ASSY.—side intermediate (w/P.P.G. glass) (interm 1975) (790838 can be used as an assy. to repl. first design sash 702854 & 703101)
1	1	1	2010371	BACKFRAME—sash (repl. 2004677)
2	1	1	2004679	BEAD—glazing (20 ft.)
3	1	1	2004699	GLASS—sash (procure locally)
4	1	1	2004687	BEAD—adhesive (20 ft.)
—	AR	AR	8885607	MOULDING—side trim (entrance door sash) (white vinyl) (100' ft roll ctl) (repl. 8861551)
—	—	2	2011595	RETAINER—sash horizontal (galley) (repl. 2006582)
—	—	2	2011596	RETAINER—sash, vertical (galley) (repl. 2006575)
—	2	2	2011597	RETAINER—sash horizontal (entrance door sash) (repl. 2006583)
—	2	2	2011598	RETAINER—sash, vertical (entrance door sash) (repl. 2006586)
—	AR	AR	9414712	SCREW—retainer to sash



FROM 183

23.070M SASH - GALLEY AND ENTRANCE DOOR SLIDING (FIRST DESIGN)

(1) 23.070M SASH - GALLEY AND ENTRANCE DOOR SLIDING (FIRST DESIGN)
 (2) 23.070M SASH - GALLEY AND ENTRANCE DOOR SLIDING (FIRST DESIGN)
 (3) 23.070M SASH - GALLEY AND ENTRANCE DOOR SLIDING (FIRST DESIGN)
 (4) 23.070M SASH - GALLEY AND ENTRANCE DOOR SLIDING (FIRST DESIGN)
 (5) 23.070M SASH - GALLEY AND ENTRANCE DOOR SLIDING (FIRST DESIGN)
 (6) 23.070M SASH - GALLEY AND ENTRANCE DOOR SLIDING (FIRST DESIGN)
 (7) 23.070M SASH - GALLEY AND ENTRANCE DOOR SLIDING (FIRST DESIGN)
 (8) 23.070M SASH - GALLEY AND ENTRANCE DOOR SLIDING (FIRST DESIGN)
 (9) 23.070M SASH - GALLEY AND ENTRANCE DOOR SLIDING (FIRST DESIGN)
 (10) 23.070M SASH - GALLEY AND ENTRANCE DOOR SLIDING (FIRST DESIGN)
 (11) 23.070M SASH - GALLEY AND ENTRANCE DOOR SLIDING (FIRST DESIGN)
 (12) 23.070M SASH - GALLEY AND ENTRANCE DOOR SLIDING (FIRST DESIGN)
 (13) 23.070M SASH - GALLEY AND ENTRANCE DOOR SLIDING (FIRST DESIGN)
 (14) 23.070M SASH - GALLEY AND ENTRANCE DOOR SLIDING (FIRST DESIGN)
 (15) 23.070M SASH - GALLEY AND ENTRANCE DOOR SLIDING (FIRST DESIGN)
 (16) 23.070M SASH - GALLEY AND ENTRANCE DOOR SLIDING (FIRST DESIGN)
 (17) 23.070M SASH - GALLEY AND ENTRANCE DOOR SLIDING (FIRST DESIGN)
 (18) 23.070M SASH - GALLEY AND ENTRANCE DOOR SLIDING (FIRST DESIGN)
 (19) 23.070M SASH - GALLEY AND ENTRANCE DOOR SLIDING (FIRST DESIGN)
 (20) 23.070M SASH - GALLEY AND ENTRANCE DOOR SLIDING (FIRST DESIGN)
 (21) 23.070M SASH - GALLEY AND ENTRANCE DOOR SLIDING (FIRST DESIGN)
 (22) 23.070M SASH - GALLEY AND ENTRANCE DOOR SLIDING (FIRST DESIGN)
 (23) 23.070M SASH - GALLEY AND ENTRANCE DOOR SLIDING (FIRST DESIGN)
 (24) 23.070M SASH - GALLEY AND ENTRANCE DOOR SLIDING (FIRST DESIGN)



260 MODEL

BODY

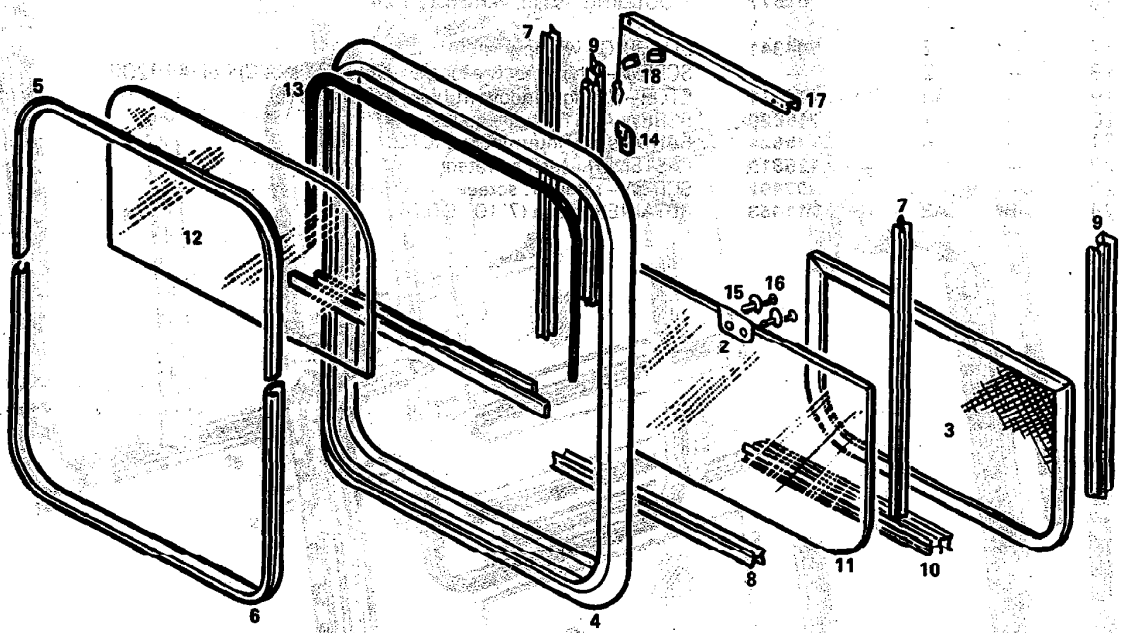
KEY 230 260 PART NUMBER

23.070M SASH — GALLEY & ENTRANCE DOOR — SLIDING (FIRST DESIGN)

—	—	1	707083	SASH ASSY.—side, inter., (tinted) (w/L.O.F. glass)
1	—	1	706999	GLASS—side, inter., tinted, stationary (procure locally)
2	—	1	707000	GLASS—side, inter., tinted, sliding (procure locally)
3	—	2	689620	HEADER—side, inter.
4	—	2	689607	FRAME—sash
5	—	1	706041	SEAL—frame
6	—	2	715166	RAIL ASSY.—weatherstrip check (incl. rail and seal) (repl. 702535) (32.19" lg. CTL)
7	—	1	704342	LATCH ASSY.—sliding window
8	—	1	704620	KEEPER—latch
9	—	1	702600	RUN—glass (CTL) (felt)
10	—	1	706036	SCREEN ASSY.—window
11	—	2	706039	RETAINER—screen
12	—	2	706781	CLIP—retainer
13	—	1	704747	SPACER—retainer (42" long) (CTL)
—	—	1	793675	KIT—moulding, sash window, side, inter., LH (incl. next [3] items)
14	—	4	689623	MOULDING—sash, corner
15	—	2	689625	MOULDING—sash, horizontal (13.00")
16	—	2	702577	MOULDING—sash, vertical (23.24")
17	—	2	704341	BUSHING—window latch
18	—	2	—	SCREW—latch (procure locally) (No. 6-32 x 3/8) (ref. 449203)
19	—	AR	712111	STOP—sliding window (rubber) (29.81" CTL)
20	—	1	715820	SCREW ASSY.—housing fastener
21	—	AR	715824	BAND—sash, intermediate (CTL)
22	—	1	715819	FASTENER—sash serrated
23	—	2	237492	SCREW—retainer, screen
24	AR	AR	711453	RETAINER—sash (7' 10" CTL)

REVERSE SIDE OF DRAWING IS SUBJECT MATTER OF PATENT - HOLD COPY

THIS DRAWING IS A PART OF THE PATENT APPLICATION FOR THE INVENTION OF A SLIDING SASH DOOR ASSEMBLY FOR A GALLEY AND ENTRANCE DOOR, SLIDING (SECOND DESIGN) IN THE NAME OF THE UNITED STATES OF AMERICA BY THE UNITED STATES AIR FORCE, WASHINGTON, D. C. 20330, AS APPLICANT, BY THE UNITED STATES AIR FORCE, WASHINGTON, D. C. 20330, AS ATTORNEY IN FACT, AND BY THE UNITED STATES AIR FORCE, WASHINGTON, D. C. 20330, AS ATTORNEY IN FACT, AND BY THE UNITED STATES AIR FORCE, WASHINGTON, D. C. 20330, AS ATTORNEY IN FACT.



3P-7025-276

23.070S SASH - GALLEY AND ENTRANCE DOOR, SLIDING (SECOND DESIGN)

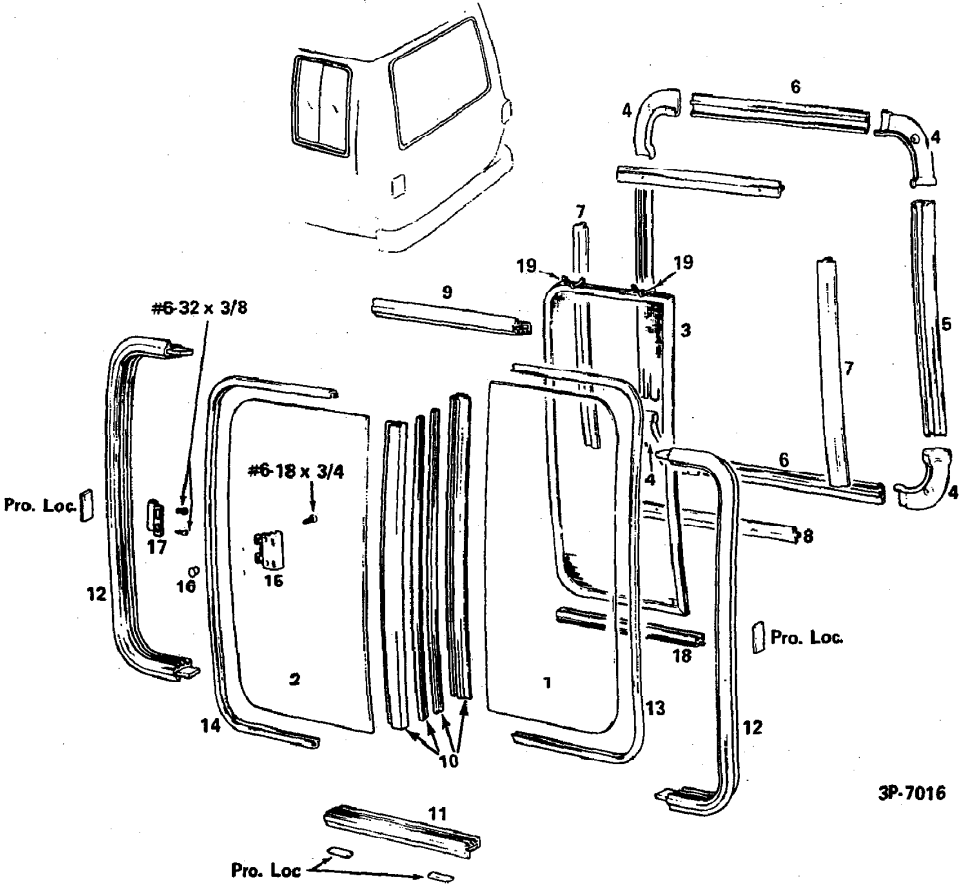
BODY

KEY 230 260 PART NUMBER

23.070S SASH — GALLEY & ENTRANCE DOOR, SLIDING (SECOND DESIGN)

—	1	1	2003021	SASH ASSY.—side inter. (sliding w/screen) (tinted) (w/P.P.G. GALSS) (ref. only)
1	1	1	2004674	MULLION ASSY.—sash (SOA)
2	1	1	2004675	LATCH ASSY.—sash (SOA)
3	1	1	2010376	SCREEN ASSY.—sash (SOA)
4	1	1	2010371	BACKFRAME—sash
5	1	1	2004679	BEAD—glazing sash
6	1	1	2004680	GASKET—vent
7	1	1	2004681	TRACK—side vent
8	1	1	2004682	TRACK—bottom vent
9	1	1	2004683	TRACK—side screen
10	1	1	2004684	TRACK—bottom screen
11	1	1	2009394	GLASS—vent. (ref. only) (procure locally)
12	1	1	2009395	GLASS—stationary (ref only) (procure locally)
13	1	1	2004667	BEAD—adhesive
14	1	1	2009396	HOOK—balance
15	1	1	2009397	SPACER—sleeve
16	1	1	2009398	NUT—tubular
17	1	1	2009399	POSITIONER—window
18	1	1	2009400	GUIDE—window
—	—	2	2011595	RETAINER—sash horizontal (galley) (repl. 2006582)
—	2	2	2011597	RETAINER—sash horizontal (entrance door sash) (repl. 2006583)
—	—	2	2011956	RETAINER—sash vertical ("L" shaped) (galley) (repl. 2006575)
—	2	2	2011598	RETAINER—sash vertical ("L" shaped) (entrance door sash) (repl. 2006580)
—	AR	AR	8885607	MOULDING—side sash trim (white vinyl) (100' roll cti) (repl. 8861551)
—	—	2	—	SCREW—retainer screw (procure locally) (ref. 237492)

BODY



3P-7016

23.071 SASH - LH REAR (FIRST DESIGN)

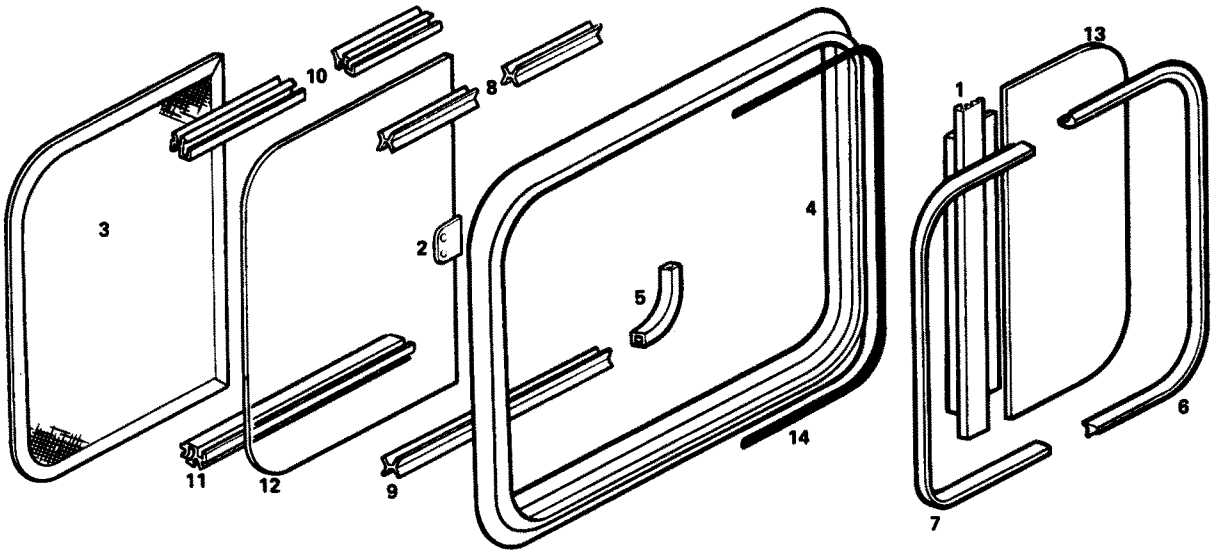
BODY

KEY 230 260 PART NUMBER

23.071 SASH — LH REAR (FIRST DESIGN)

—	1	1	702852	SASH ASSY.—side, LH rear (with L.O.F. glass)
—	1	1	703049	SASH ASSY.—side, LH rear (tinted) (with L.O.F. glass)
1	1	1	689635	GLASS—LH rear (stationary) (procure locally)
1	1	1	689637	GLASS—LH rear (stationary) (tinted) (procure locally)
2	1	1	704615	GLASS—LH rear (sliding) (procure locally)
2	1	1	704614	GLASS—LH rear (sliding) (tinted) (procure locally)
3	1	1	702687	SCREEN ASSY.—glass
—	1	1	793676	KIT—moulding, sash window, side, LH, rear (incl. next [3] items)
4	4	4	689623	MOULDING—sash, corner
5	2	2	702575	MOULDING—sash, horizontal (25.00")
6	2	2	702577	MOULDING—sash, vertical (23.24")
7	AR	AR	711453	RETAINER—sash, vertical (7'10" — CTL) (repl. 702574)
8	AR	AR	711453	RETAINER—sash, horizontal (7'10" — CTL) (repl. 702570)
9	1	1	689622	HEADER—rear sash, LH (23.34" long)
10	2	2	715166	RAIL ASSY.—weatherstrip check (incl. seal and rail) (repl. 702535) (32.19" lg. CTL)
11	1	1	709172	SILL—rear sash (repl. 689630)
12	2	2	689607	FRAME ASSY.—sash (repl. 701445)
13	1	1	702671	SEAL—fixed glass (86.88" CTL)
14	1	1	702600	RUN—glass (134.50" CTL) (felt)
15	1	1	704342	LATCH ASSY.—side window
16	2	2	704341	BUSHING—latch
17	1	1	704620	LATCH—keeper
18	1	1	704747	SPACER—window screen (42.00" long, CTL)
19	2	2	706781	CLIP—screen
—	AR	AR	712111	STOP—sliding window (CTL) (29.81" long) (rubber)
—	1	1	715820	SCREW ASSY.—housing fastener
—	AR	AR	715824	BAND—sash, rear (CTL)
—	1	1	715819	FASTENER—sash serrated
—	AR	AR	9414712	SCREW—retainer to sash

BODY



3P-7022-276

23.071H SASH - (LH) REAR (SECOND DESIGN)

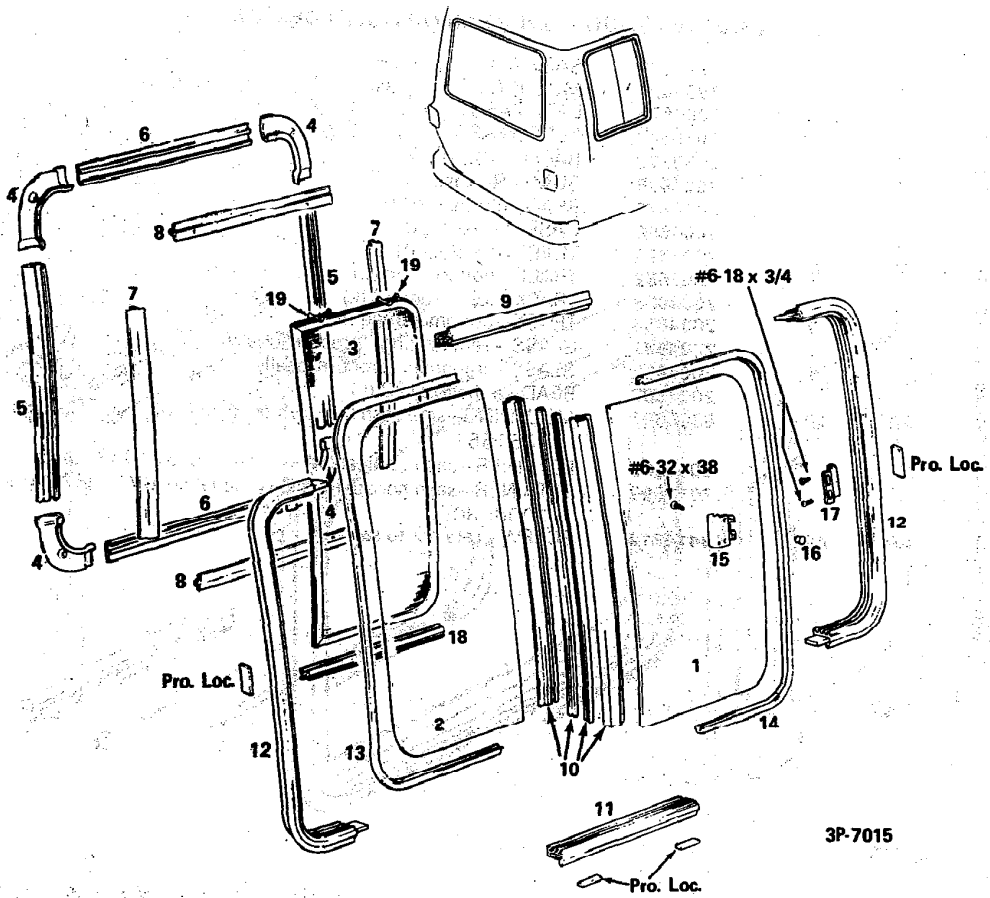
BODY

KEY 230 260 PART NUMBER

23.071H SASH — LH REAR (SECOND DESIGN)

—	—	1	790835	SASH ASSY.—side LH rear (w/P.P.G. GLASS) (interm 1975)
1	1	1	2004674	MULLION ASSY.—sash (SOA) (w/latch keeper)
2	1	1	2004675	LATCH ASSY.—sash (SOA) (RH/LH)
3	1	1	2010377	SCREEN ASSY.—sash (SOA)
4	1	1	2010373	BACKFRAME—sash
5	1	1	2004678	BUMPER—sash
6	1	1	2004679	BEAD—glazing (20 ft.)
7	1	1	2004680	GASKET—vent (20 ft.)
8	1	1	2004681	TRACK—top vent (8 ft.)
9	1	1	2004682	TRACK—bottom vent (8ft.)
10	1	1	2004683	TRACK—top screen (8 ft.)
11	1	1	2004684	TRACK—bottom screen (8 ft.)
12	1	1	2004691	GLASS—vent (sliding) (procure locally)
13	1	1	2004692	GLASS—stationary (procure locally)
14	1	1	2004687	BEAD—adhesive (20 ft.)
—	AR	AR	8865607	MOULDING—side sash trim (white vinyl) (100' roll CTL) (repl. 8861551)
—	—	2	2011595	RETAINER—sash vertical (eff. w/serial no. 6V100878) (repl. 2006575)
—	—	2	2011593	RETAINER—sash horizontal (eff. w/serial no. 6V100878) (repl. 2006580)
—	AR	AR	9414712	SCREW—retainer to sash

BODY



23.072 SASH - RH REAR (FIRST DESIGN)

3P-7015

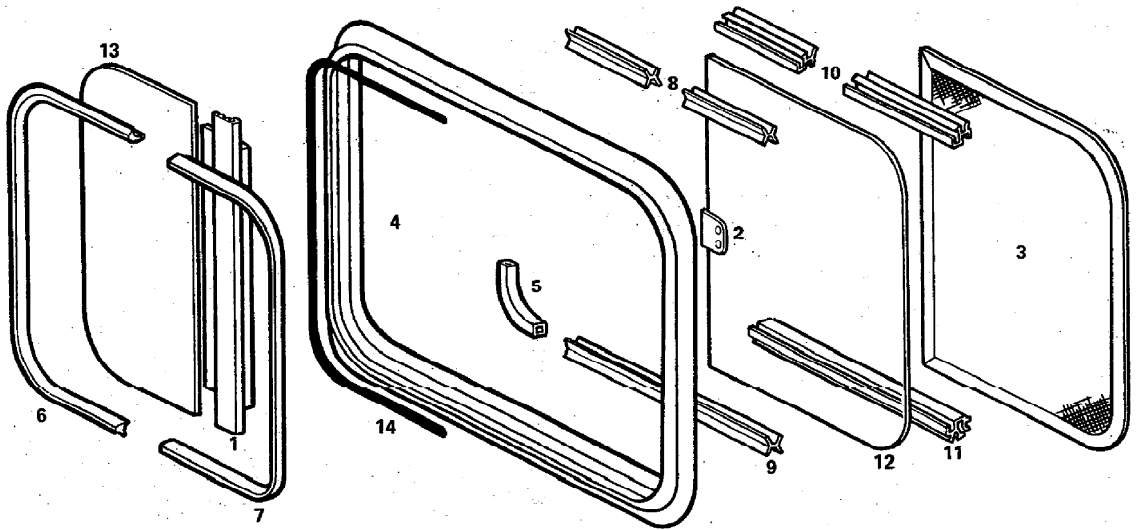
BODY

KEY 230 260 PART NUMBER

23.072 SASH — RH REAR (FIRST DESIGN)

—	1	1	702851	SASH ASSY.—side, RH rear (with L.O.F. glass)
—	1	1	703048	SASH ASSY.—side, RH rear (tinted) (with L.O.F. glass)
1	1	1	689635	GLASS—RH rear (stationary) (procure locally)
1	1	1	689637	GLASS—RH rear (stationary-tinted) (procure locally)
2	1	1	704615	GLASS—RH rear (sliding) (procure locally)
2	1	1	704614	GLASS—RH rear (sliding-tinted) (procure locally)
3	1	1	702686	SCREEN ASSY.—glass
—	1	1	793676	KIT—moulding, side, RH, rear (incl. next [3] items)
4	4	4	689623	MOULDING—sash, corner
5	2	2	702575	MOULDING—sash, horizontal
6	2	2	702577	MOULDING—sash, vortical
7	AR	AR	711453	RETAINER—sash, vertical (10 ft.-CTL) (repl. 702574)
8	AR	AR	711453	RETAINER—sash, horizontal (10 ft.-CTL) (repl. 702570)
9	1	1	689622	HEADER—rear sash, RH (23.34" long)
10	2	2	715166	RAIL ASSY.—weatherstrip check (incl. seal and rail) (repl. 702535) (32.19" lg. CTL)
11	1	1	709172	SILL—rear sash (repl. 689630)
12	1	1	689607	FRAME ASSY.—sash (repl. 701445)
13	1	1	702671	SEAL—fixed glass (86.88" CTL)
14	1	1	702600	RUN—glass (134.50" CTL) (felt)
15	1	1	704342	LATCH ASSY.—side window
16	2	2	704341	BUSHING—latch
17	1	1	704620	LATCH—keeper
18	1	1	704747	SPACER—window screen (42.00" long, CTL)
19	2	2	706781	CLIP—screen
—	AR	AR	712111	STOP—sliding window (CTL) (29.81" long)
—	1	1	715820	SCREW ASSY.—housing fastener
—	AR	AR	715824	BAND—sash, rear (CTL)
—	1	1	715819	FASTENER—sash, serrated
—	AR	AR	9414712	SCREW—retainer to body

BODY



3P-7022-276

23.072H SASH - (RH) REAR (SECOND DESIGN)

BODY

KEY 230 260 PART NUMBER

23.072H SASH — RH REAR (SECOND DESIGN)

—	—	1	790837	SASH ASSY.—side RH rear (w/P.P.G. glass) (interm 1975)
1	1	1	2004674	MULLION ASSY.—sash (SOA) (w/latch keeper)
2	1	1	2004675	LATCH ASSY.—sash (SOA) (RH/LH)
3	1	1	2010377	SCREEN ASSY.—sash (SOA)
4	1	1	2010373	BACKFRAME—sash
5	1	1	2004678	BUMPER—sash
6	1	1	2004679	BEAD—glazing (20 ft.)
7	1	1	2004680	GASKET—vent (20 ft.)
8	1	1	2004681	TRACK—top vent (8 ft.)
9	1	1	2004682	TRACK—bottom vent (8 ft.)
10	1	1	2004683	TRACK—top screen (8 ft.)
11	1	1	2004684	TRACK—bottom screen (8 ft.)
12	1	1	2004696	GLASS—vent (sliding) (procure locally)
13	1	1	2004697	GLASS—stationary (procure locally)
14	1	1	2004687	BEAD—adhesive (20 ft.)
—	AR	AR	8885607	MOULDING—side sash trim (white vinyl) (100' roll ctl) (repl. 8861551)
—	—	2	2011596	RETAINER—sash, vertical (repl. 2006575)
—	—	2	2011593	RETAINER—sash horizontal (2006580)
—	AR	AR	9414712	SCREW—retainer to body

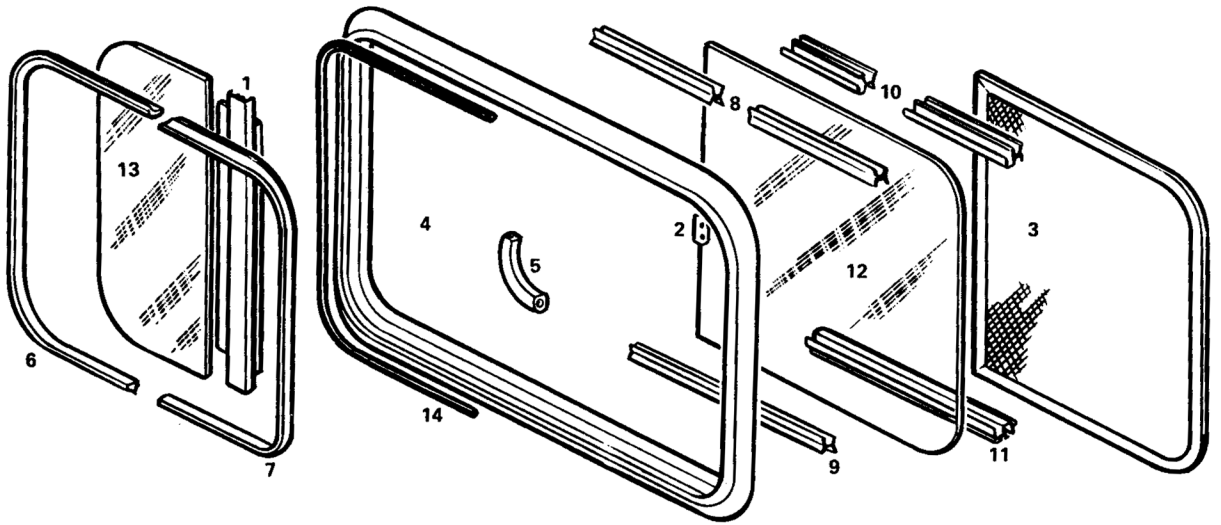
BODY

KEY 230 260 PART NUMBER

23.073 SASH — RH FRONT (FIRST DESIGN)

—	—	1	702849	SASH ASSY.—side, RH front (with L.O.F. glass)
—	—	1	703046	SASH ASSY.—side, RH front (tinted) — (with L.O.F. glass) (ref. only) (see group 23.073H)
1	—	1	689639	GLASS—RH front (stationary) (procure locally)
1	—	1	689640	GLASS—RH front, tinted (stationary) (procure locally)
2	—	1	704617	GLASS—RH front (sliding) (procure locally)
2	—	1	704616	GLASS—RH front, tinted (sliding) (procure locally)
3	—	1	702684	SCREEN ASSY.—glass (incl. clips)
—	—	1	793677	KIT—moulding, sash window, side, RH front (incl. next [3] items)
4	—	4	689623	MOULDING—sash, corner
5	—	2	702577	MOULDING—sash, vertical (23.24")
6	—	2	689624	MOULDING—sash, horizontal (48.50")
7	—	AR	711453	RETAINER—sash, front and horizontal (10 ft. -CTL) (repl. 702571)
8	—	AR	711453	RETAINER—sash, vertical (10 ft. -CTL) (repl. 702574)
9	—	1	689621	HEADER—sash
10	—	2	715166	RAIL ASSY.—weatherstrip check (incl. seal and rail) (repl. 702535) (32.19" lg. CTL)
11	—	1	709174	SILL—front sash (repl. 689648)
12	—	2	689607	FRAME ASSY.—sash (repl. 701445)
13	—	1	704747	SPACER—window screen (42.00 long, CTL)
14	—	1	702671	SEAL—fixed glass (86.88 CTL)
15	—	1	702600	RUN—glass (134.50" CTL) (felt)
16	—	1	704342	LATCH ASSY.—side window
17	—	2	704341	BUSHING—latch
18	—	1	704620	LATCH—keeper
19	—	2	706781	CLIP—screen
—	—	AR	712111	STOP—sliding window (CTL) (29.81" long) (rubber)
—	—	1	715820	SCREW ASSY.—housing fastener
—	—	AR	715822	BAND—sash, front (CTL)
—	—	1	715819	FASTENER—sash, serrated
—	—	AR	9418622	SCREW—moulding

BODY



3P-7021-276

23.073H SASH - (RH) FRONT (SECOND DESIGN)

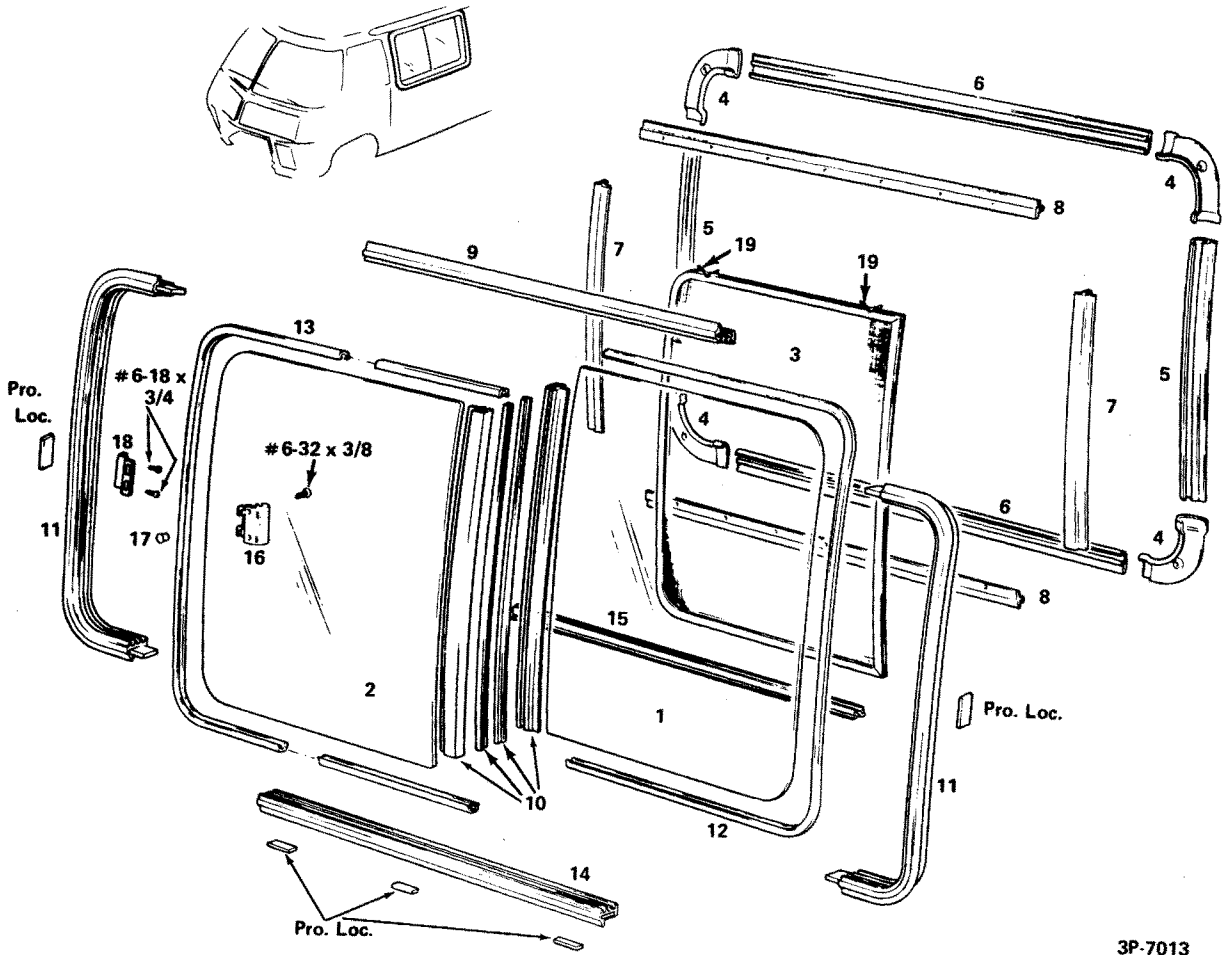
BODY

KEY 230 260 PART NUMBER

23.073H SASH — RH FRONT (SECOND DESIGN)

—	1	1	790836	SASH ASSY.—side RH front w/P.P.G. glass) (interm 1975) (NOTE: 790836 can be used as a complete assy. to repl. first design sash assy. 703046)
1	—	1	2004674	MULLION ASSY.—sash (SOA) (w/latch keeper)
2	—	1	2004675	LATCH ASSY.—sash (SOA) (RH/LH)
3	—	1	2010385	SCREEN—sash (SOA)
4	—	1	2010374	BACKFRAME—sash
5	—	1	2004678	BUMPER—sash
6	—	1	2004679	BEAD—glazing (20 ft.)
7	—	1	2004680	GASKET—vent (20 ft.)
8	—	1	2004681	TRACK—top vent (8 ft.)
9	—	1	2004682	TRACK—bottom vent (8 ft.)
10	—	1	2004683	TRACK—top screen (8 ft.)
11	—	1	2004684	TRACK—bottom screen (8 ft.)
12	—	1	2004693	GLASS—vent (sliding) (procure locally)
13	—	1	2004695	GLASS—stationary (procure locally)
14	—	1	2004687	BEAD—adhesive (20 ft.)
—	—	2	2011592	RETAINER—sash horizontal (repl. 2006580, 2006581)
—	—	2	2011596	RETAINER—sash, vertical (repl. 2006575)
—	AR	AR	8885607	MOULDING—side sash trim (white vinyl) (100 ft. roll ctl) (repl. 8861551)
—	—	AR	9414712	SCREW—retainer to sash

BODY



3P-7013

23.074 SASH - LH FRONT SIDE (FIRST DESIGN)

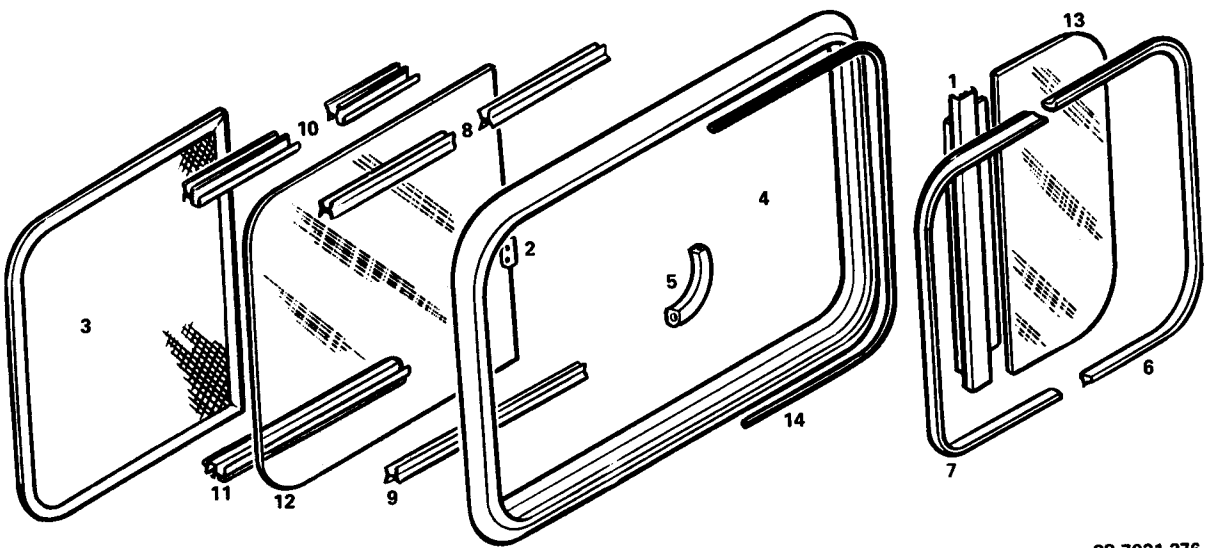
BODY

KEY 230 260 PART NUMBER

23.074 SASH — LH FRONT (FIRST DESIGN)

—	1	1	702850	SASH ASSY.—side, LH front (with L.O.F. glass)
—	1	1	703047	SASH ASSY.—side, LH front (tinted) (with L.O.F. glass)
1	1	1	689639	GLASS—LH front, stationary (procure locally)
1	1	1	689640	GLASS—LH front, stationary (tinted) (procure locally)
2	1	1	704617	GLASS—LH front, sliding (procure locally)
2	1	1	704616	GLASS—LH front, sliding (tinted) (procure locally)
3	1	1	702685	SCREEN ASSY.—glass
—	1	1	793677	KIT—moulding, sash window side, LH front (incl. next [3] items)
4	4	4	689623	MOULDING—sash, corner
5	2	2	702577	MOULDING—sash, vertical (23.24")
6	2	2	689624	MOULDING—sash, horizontal (48.50")
7	AR	AR	711453	RETAINER—sash, vertical (10 ft.-CTL) (repl. 702571)
8	AR	AR	711453	RETAINER—sash, horizontal (10 ft.-CTL) (repl. 702574)
9	1	1	689621	HEADER—sash, LH front
10	2	2	715166	RAIL ASSY.—weatherstrip check (incl. seal and rail) (repl. 702535) (32.19" lg. CTL)
11	2	2	689607	FRAME ASSY.—sash (repl. 701445)
12	1	1	702671	SEAL—stationary glass (86.88" long, CTL)
13	1	1	702600	RUN—glass (134.50" long, CTL) (felt)
14	1	1	709174	SILL—sash, LH front (repl. 689648)
15	1	1	704747	SPACER—window screen (42.00" long, CTL)
16	1	1	704342	LATCH ASSY.—window, LH front
17	2	2	704341	BUSHING—latch
18	1	1	704620	LATCH—keeper
19	2	2	706781	CLIP—screen
—	AR	AR	712111	STOP—sliding window (CTL) (29.81" long) (rubber)
—	1	1	715820	SCREW ASSY.—housing, fastener
—	AR	AR	715822	BAND—sash, front (CTL)
—	1	1	715819	FASTENER—sash, serrated
—	AR	AR	9414712	SCREW—retainer to sash
—	AR	AR	9418622	SCREW—moulding

BODY



3P-7021-276

23.074H SASH - (LH) FRONT (SECOND DESIGN)

BODY

KEY	230	260	PART NUMBER
-----	-----	-----	-------------

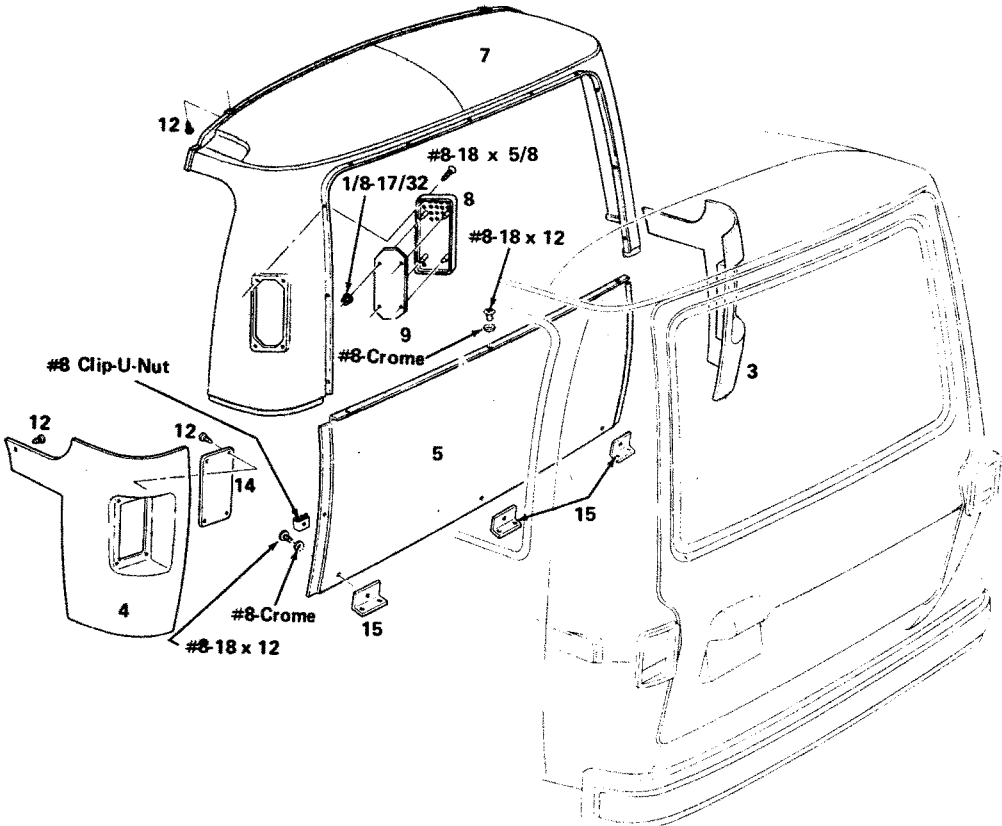
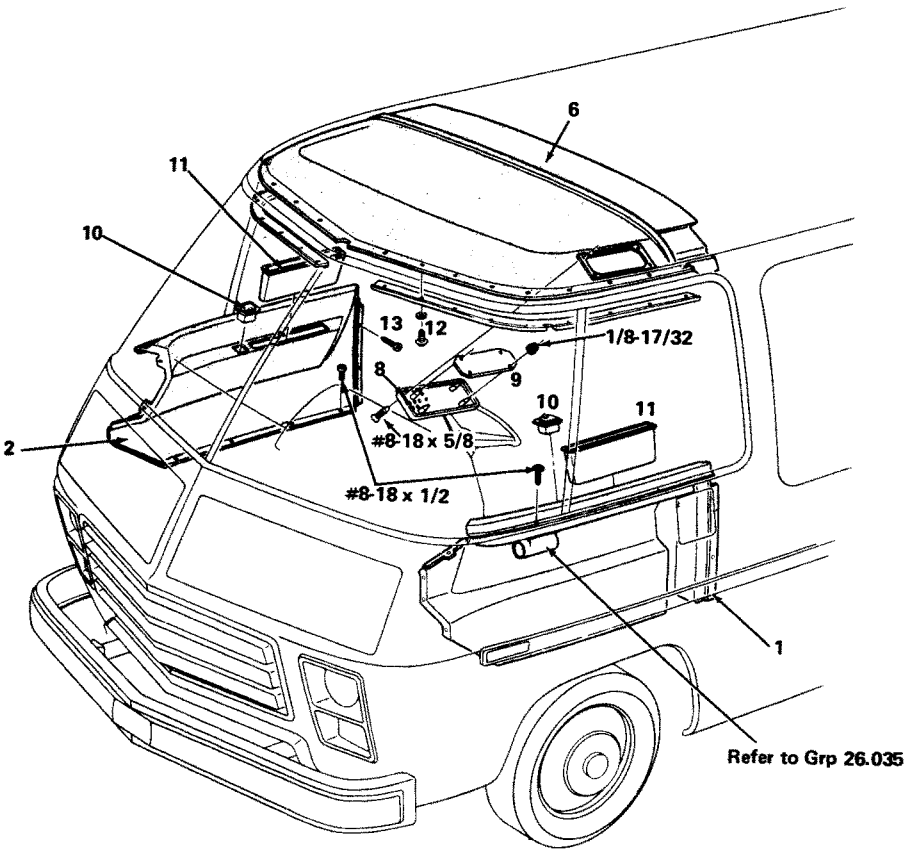
23.074H SASH LH FRONT (SECOND DESIGN)

—	1	1	790834	SASH ASSY.—side, LH (w/P.P.G. GLASS) (interm 1975)
1	1	1	2004674	MULLION ASSY.—sash (SOA) (w/latch keeper)
2	1	1	2004675	LATCH ASSY.—sash (SOA) (RH/LH)
3	1	1	2010385	SCREEN—sash (SOA)
4	1	1	2010374	BACKFRAME—sash
5	1	1	2004678	BUMPER—sash
6	1	1	2004679	BEAD—glazing (20 ft.)
7	1	1	2004680	GASKET—vent (20 ft.)
8	1	1	2004681	TRACK—top vent (8 ft.)
9	1	1	2004682	TRACK—bottom vent (8 ft.)
10	1	1	2004683	TRACK—top screen (8 ft.)
11	1	1	2004684	TRACK—bottom screen
12	1	1	2004685	GLASS—vent (sliding) (procure locally)
13	1	1	2004686	GLASS—stationary (procure locally)
14	1	1	2004687	BEAD—adhesive (20 ft.)
—	AR	AR	8885607	MOULDING—side sash trim (white vinyl) (100' roll ctl.) (repl. 8861551)
—	2	2	2011596	RETAINER—sash vertical (eff. w/serial no. 6V100878) (repl. 2006575)
—	2	2	2011592	RETAINER—sash horizontal (eff. w/serial 6V100878) (repl. 2006580, 2006581)
—	AR	AR	9414712	SCREW—retainer to sash

23.075 PANELS — INSULATION

—	AR	AR	NS	PANEL—body insulation (make locally) (ref. 703032, 703033)
—	1	1	703110	PANEL—insulation, dash
—	1	1	721354	PANEL—insulation, dash, RH (repl. 703045)
—	1	1	721353	PANEL—insulation, dash, LH (repl. 703044)
—	2	2	721355	PANEL—insulation, rear floor (repl. 703109) (prior to Serial No. 6V100878)
—	1	1	703711	PANEL—insulation, dash, upper RH

BODY



23.080 FINISH & FITTINGS

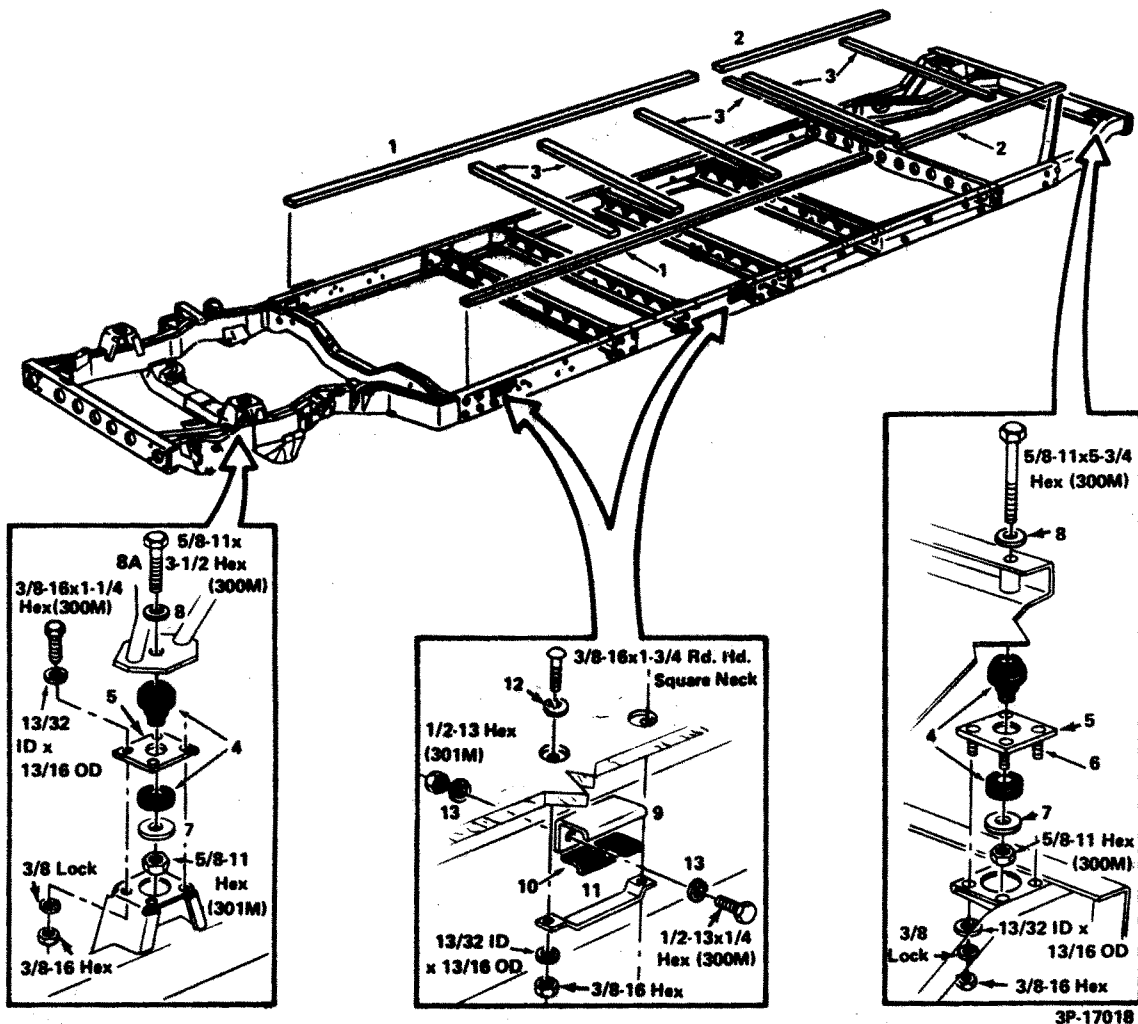
BODY

KEY 230 260 PART NUMBER

23.080 FINISH & FITTINGS

1	1	1	695700	PANEL—side trim, LH (prior to 1977)
1	1	1	799996	PANEL—side trim, LH (w/RPO 685, 697, Transmode) (eff. w/1977)
1	—	1	799996	PANEL—side trim, LH (w/RPO 641)
1	—	1	799996	PANEL—side trim, LH (w/RPO 698) (eff. w/1977) (repl. 2004302)
2	1	1	695701	PANEL—side trim, RH (w/RPO 641, 697, 698 Transmode)
3	—	1	2007910	PANEL—trim, inner rear lower RH (Motorhome) (repl. 694047, 713191, 792411)
3	1	1	2007912	PANEL—trim, inner rear lower RH (Transmode) (eff. w/Serial No. 6V100878)
4	—	1	2007911	PANEL—trim, inner rear lower LH (Motorhome) (repl. 694048, 713188, 792412)
4	1	1	2007916	PANEL—trim, inner rear lower LH (Transmode) (eff. w/Serial No. 6V100878)
5	1	1	713193	PANEL—trim, rear door lower (repl. 694049)
6	1	1	696154	PANEL—trim, inner roof, front
7	1	1	713192	PANEL—trim, inner roof, rear (repl. 694046) (prior to 1975)
7	—	1	792268	PANEL—inner, rear upper roof, liner (eff. w/1975 and prior to Serial No. 6V100878)
7	1	1	2007909	PANEL—inner, rear upper roof liner (eff. w/Serial No. 6V100878)
8	2	2	700880	PANEL—radio speaker
9	2	2	700881	COVER—hole, speaker
10	AR	AR	486902	TRAY ASSY.—ash, side trim panel (prior to 1977)
—	AR	AR	—	TRAY ASSY.—ash, instrument panel (eff. w/1977) (see group 23.050F)
11	2	2	9731656	STORAGE BOX—panel, side trim (prior to 1975 & Transmode) (w/out RPO BRU) (repl. 9725063)
11	2	2	1681106	STORAGE BOX—side trim, panel (w/RPO 641, 681, 683, 685, 697, transmode)
11	—	2	2001323	STORAGE BOX—side trim, panel (w/RPO 698)
12	31	31	NPN	SCREW—retainer, trim panel
13	4	4	9420721	SCREW—panel mounting, RH (8-18 x 3/4 pan head cross recess)
14	2	2	—	COVER—inner trim, rear corner, LH panel (procure locally)
15	3	3	NPN	BRACKET—rear access door, trim panel
—	—	1	701367	PANEL—air suspension control switch hole (eff. w/1977)
—	1	1	707984	TRACK—windshield drape, LH
—	1	1	707983	TRACK—windshield drape, RH
—	8	8	700368	RIVET—track to front roof cap
—	2	2	718395	SPRING—storage box exp.
—	4	4	715106	RIVET—upper to lower panel
—	—	4	4664885	SCREW & WASHER ASSY.—RH panel mtg. (w/695701, 790079)
—	—	2	716852	SCREW—track to inner roof frt. trim
—	1	1	—	DECAL—emergency exit (see group 23.010)
—	8	8	9417311	SCREW—rear speaker installation

BODY



3P-17018

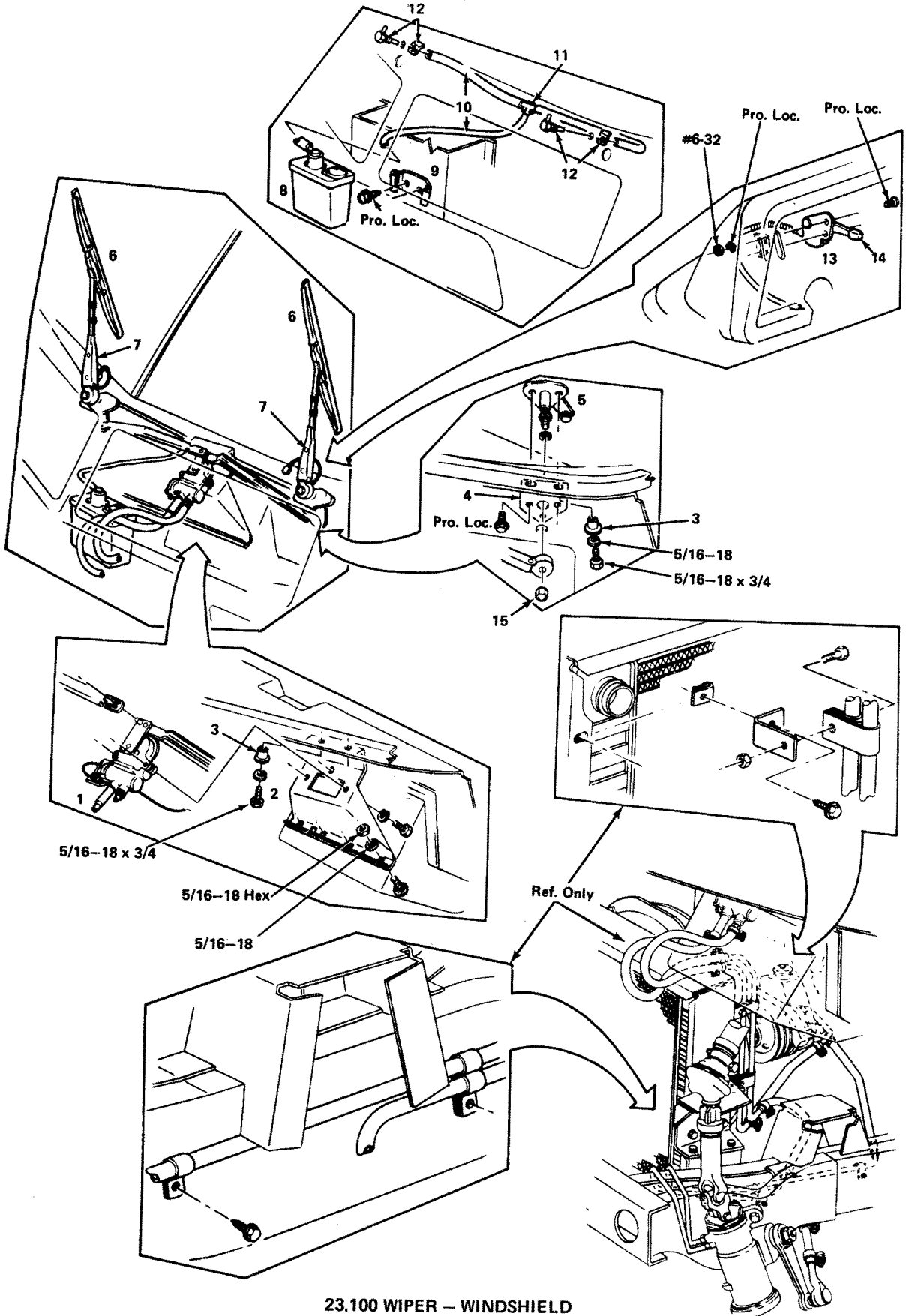
KEY	230	260	PART NUMBER
-----	-----	-----	-------------

23.090 BODY MOUNTING

—	AR	AR	2005279	INSULATOR—frame to floor (3" x 6") (opt.)
1	AR	AR	698128	INSULATOR—frame to floor (128.00" — CTL) (repl. 698129)
1	—	1	792006	INSULATOR—frame to floor (132.10" lg.) (eff. w/1975)
2	AP	AR	698128	INSULATOR—frame to floor (128.00" — CTL) (repl. 700243, 700244)
3	4	4	702894	SUPPORT—crossmember to floor
4	4	4	699895	MOUNT ASSY.—body, front and rear (incl. ring) (SOA)
5	4	4	NPN	PLATE—mount to frame, front and rear (ref. 700858) (make locally)
6	8	8	189850	BOLT—rear mount to frame plate (3/8-16 x 1-1/4, round head, ribbed neck)
7	4	4	681190	WASHER—body mount (front and rear)
8	4	4	2436167	WASHER—body mount (front and rear)
8A	2	2	9430885	BOLT—body rear mounting
9	4	4	700139	BRACKET—mount, frame center
10	4	4	698128	INSULATOR—(or cushion) (CTL) (repl. 700140)
11	4	4	700138	MOUNT—body, center section (prior to 1975)
11	4	4	791384	MOUNT—body, center section (eff. w/1975)
12	8	8	2366327	WASHER—bolt
13	16	16	2436165	WASHER—bolt, bracket (17/32 I.D. x 1-1/16 O.D.)
—	2	2	3914468	SPACER—bolt to frame

BODY

NOTES



23.100 WIPER - WINDSHIELD

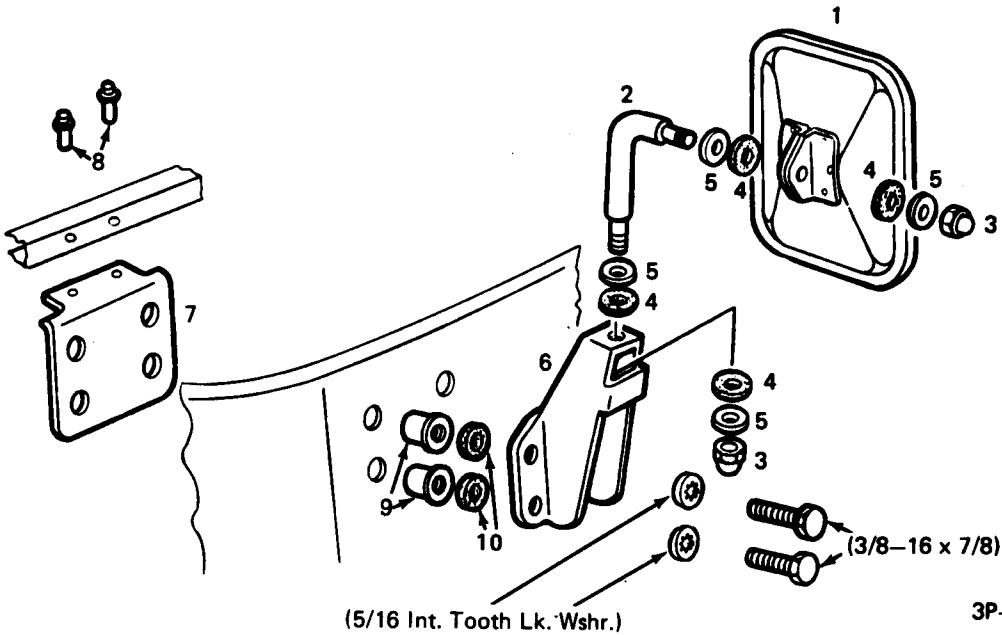
BODY

KEY 230 260 PART NUMBER

23.100 WIPER — WINDSHIELD

1	1	1	715456	MOTOR ASSY.—windshield wiper (repl. 699114) (incl. next item)
—	1	1	717027	FILTER ASSY.—wiper motor SOA
2	1	1	790483	BRACKET—mounting, motor (First Design) (repl. 698186)
2	1	1	790483	BRACKET—windshield wiper motor mtg. (Second Design)
3	6	6	2273809	RIVNUT—bolt, mounting bracket
4	1	1	698177	BRACKET—wiper, pivot LH
4	1	1	698178	BRACKET—wiper, pivot RH
5	1	1	699112	ARM ASSY.—LH compression pivot body and connector
5	1	1	699113	ARM ASSY.—RH compression pivot body and connector
6	2	2	699116	BLADE ASSY.—wiper
7	2	2	712873	ARM ASSY.—wiper (incl. spray nozzle) (repl. 699106) (incl. next item)
—	2	2	2027555	NOZZLE—wiper arm — (nozzle attaches to end of windshield wiper blade) (second design)
—	1	1	717080	NOZZLE ASSY.—windshield washer (incl. (2) nozzles, (2) hoses & (2) clips) (nozzle attaches to center of windshield wiper arm) (first design)
8	1	1	699115	WASHER ASSY.—windshield wiper (electromatic) (incl. next (3) items)
—	1	1	2041280	PUMP ASSY.—cover (incl. next item)
—	1	1	2369544	STRAINER—windshield washer
—	1	1	2041286	JAR—washer reservoir
9	1	1	610163	STRAP—mounting, washer
10	AR	AR	1359744	HOSE—windshield washer (25' CTL)
11	1	1	1378180	TEE—hose
12	2	2	699104	CONNECTOR ASSY.—hose
13	1	1	699111	CONTROL ASSY.—windshield wiper and washer
14	1	1	699118	BUTTON—washer control
15	2	2	703864	CAP NUT—wiper arm (Trico No. 75026-1NS) (3/8 - 24 - unf. thd. - 26) (1/2" hex)
—	1	1	717556	BRACKET—mtg., power strg. & w/s hose, LH (repl. 702874) (also use 1-790628 bracket)
—	1	1	653296	BRACKET—clip support
—	2	2	708513	CLIP—windshield washer hose

BODY



3P-25012

KEY	230	260	PART NUMBER
-----	-----	-----	-------------

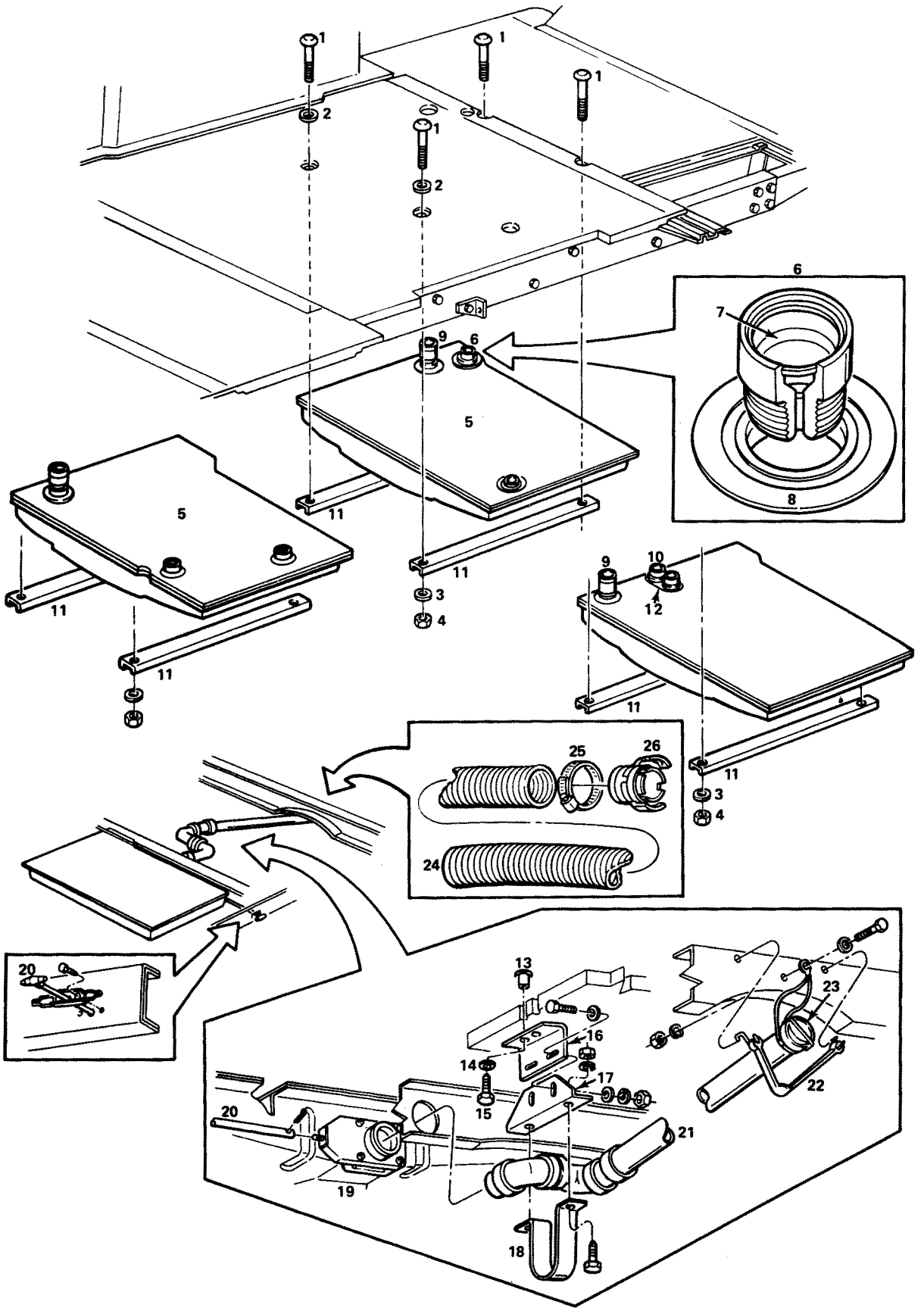
23.107 MIRROR — OUTSIDE REAR VIEW

1	2	2	701486	MIRROR ASSY.—outside rearview (white) (ref. only) (incl. next 5 items)
—	1	1	993872	MIRROR KIT—outside rear view (white enamel) (SOA) (incl. 1-mirror assy.) (repl. 331558, 2971950 mirror head)
2	1	1	704590	ARM—solid outside rear view (white enamel)
3	2	2	331545	NUT—crown high (repl. 3940862, 3976158)
4	4	4	331543	WASHER—nylon (.44 I.D.) (repl. 3933426)
5	4	4	3940861	WASHER—steel (7/16 - 1.0 x .09)
1	2	2	704161	MIRROR ASSY.—outside rearview (chrome) (ref. only incl. next 5 items)
—	1	1	993874	MIRROR KIT—outside rear view (chrome) (SOA) (incl. 1-mirror assy.) (repl. 704591)
2	1	1	704592	ARM—solid (chrome)
3	2	2	331545	NUT—high crown (repl. 3940862, 3976158)
4	4	4	331543	WASHER—nylon (.44 I.D.) (repl. 3933426)
5	4	4	3940861	WASHER—steel
6	2	2	701842	BRACKET—mirror
7	2	2	701405	REINFORCEMENT—bracket (prior to Serial No. 6V100878)
7	1	1	2005983	REINFORCEMENT—LH mirror. (eff. w/Serial No. 6V100878)
7	1	1	2006416	REINFORCEMENT—RH mirror. (eff. w/Serial No. 6V100878)
8	4	4	700368	RIVET—bracket to sill
9	8	8	2497229	RIVNUT—bracket to side
10	8	8	3700098	KIT—gasket, mirror bracket to rivnut (includes 1-3698890 gasket & 1-3698891 gasket)

BODY

NOTES

BODY



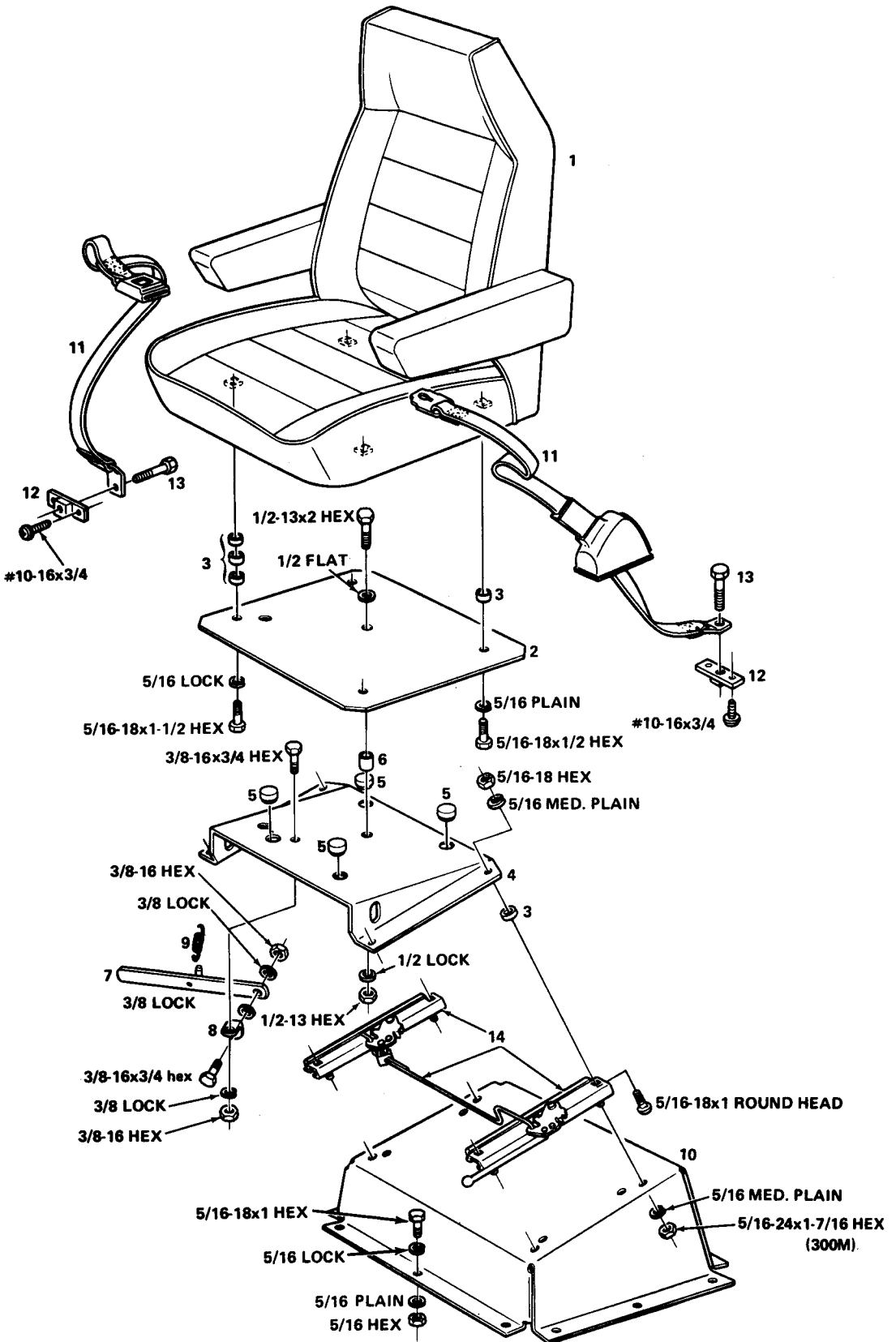
BODY

KEY 230 260 PART NUMBER

23.110 TANK — DRAIN HOSE AND HOLDING

1	4	4	NPN	BOLT—tank mounting (3/8-16 x 6" Rd. Hd.) (prior to 1975)
1	—	4	3812166	BOLT—tank mounting (3/8-16 x 7 1/2) (eff. w/1975)
2	2	2	2366327	WASHER—bolt (upper front) (repl. 3885600)
3	4	4	3781455	WASHER—bolt (15/32 I.D. x 59/64 O.D.)
4	4	4	NPN	NUT—bolt (3/8-16)
5	1	—	706573	TANK ASSY.—holding (repl. 699278) (140 WB)
5	—	1	791846	TANK ASSY.—holding (exc./ ZEO6582, ZEO6584) (repl. 706574) (160 WB) (prior to 1978)
5	—	1	2028382	TANK ASSY.—holding (w/ZEO6581) (1978) (40 gallon)
5	—	1	2005797	TANK ASSY.—holding (w/ZEO6582, ZEO6584)
6	—	1	719638	ADAPTER—sink and vent drain (at tank) (prior to 1975)
6	—	1	790052	ADAPTER—sink and vent drain (nipple) (at tank) (exc./ ZEO6584) (eff. w/1975)
6	—	2	2010765	ADAPTER ASSY.—sanitary plumbing to holding tank (w/ZEO6584)
7	—	1	716624	"O" RING—sink drain and vent (prior to 1975)
7	—	1	791722	"O" RING—sink inlet nipple (eff. w/1975) (prior to Serial No. 5V101105)
7	—	1	3876138	"O" RING—bath inlet nipple (eff. w/1975)
8	1	3	705538	SEAL—sink, toilet and bath inlet to floor
9	1	1	719639	NIPPLE—toilet inlet (at tank)
10	2	1	719637	NIPPLE—kitchen drain inlet (at tank) (prior to 1975)
10	—	1	797240	NIPPLE—sink inlet (at tank) (eff. w/1975) (exc./ ZEO6584) (repl. 790051)
10	—	1	797240	NIPPLE—sink inlet (at tank) (eff. w/1977) (w/ZEO6584)
11	2	2	696092	BRACKET—mounting, tank
12	1	—	705089	SEAL—nipple to floor
13	2	2	693207	TENNUT—bolt
14	2	2	NPN	WASHER—bolt (3/8)
15	2	2	NPN	BOLT—bracket (3/8-16 x 4")
16	1	1	711107	BRACKET—anchor (prior to 1975)
16	—	1	791380	BRACKET—anchor (eff. w/1975)
17	—	1	791379	BRACKET—discharge tube support clamp (adjustable) (repl. 711106)
18	1	1	2439071	CLAMP—discharge tube support
19	1	1	693761	VALVE ASSY.—fullway (incl. "O"-ring)
—	1	1	701212	"O" RING—fullway valve
20	1	1	693762	HANDLE ASSY.—valve
21	1	—	699695	HOSE ASSY.—discharge (prior to Serial No. 3V100366)
21	—	1	699696	HOSE ASSY.—discharge (prior to Serial No. 3V100366)
21	1	—	714360	TUBE—discharge (incl. valve) (SOA) (eff. w/Serial No. 3V100366)
21	—	1	714359	TUBE—discharge (incl. valve) (SOA) (eff. w/Serial No. 3V100366)
22	1	1	710307	STRAP—retaining, discharge tube
23	1	1	697653	CAP—storage tube (see grp. 19.001) (repl. 711231)
24	1	1	699861	HOSE—waste disposal (flexable) (see grp. 19.001)
25	1	1	2465815	CLAMP ASSY.—sewer hose (see grp. 19.001)
26	1	1	697654	FITTING—sewer hose (see grp. 19.001)
—	1	1	2020880	SEAL—sanitary pipe to floor (w/center dia. hole 1.94" & O.D. 6.50)
—	1	1	2020897	SEAL—sanitary pipe to floor (w/center dia. hole 2.30" & O.D. 4.25)
—	1	1	2020898	NIPPLE—sanitary pipe adapter
—	1	1	684380	GASKET—fullway valve mounting
—	1	1	700959	KIT—repair, fullway valve (incl. [1] stamping assy., [4] eyelets and [1] perimeter seal)
—	1	1	NS	DECAL—discharge valve handle (ref. 701556)

BODY



23.115 SEAT – DRIVER & SINGLE PASSENGER

3P-24021

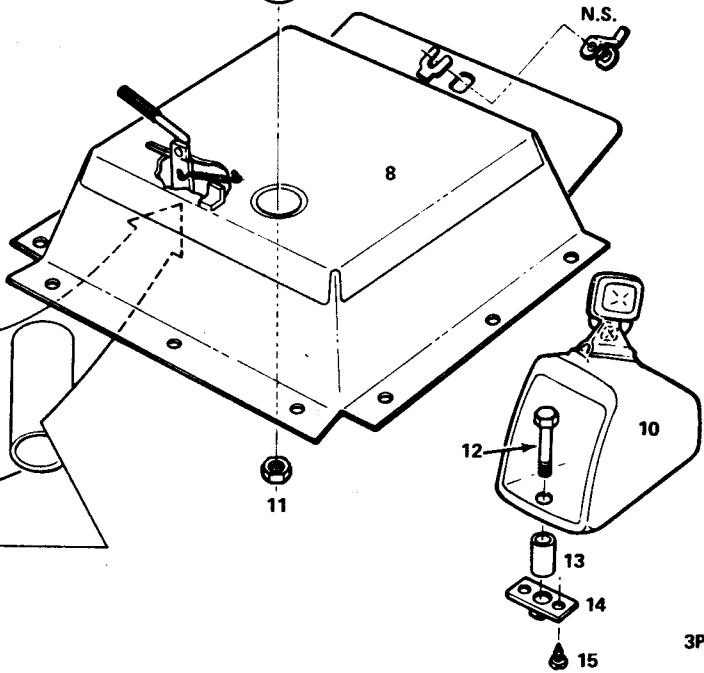
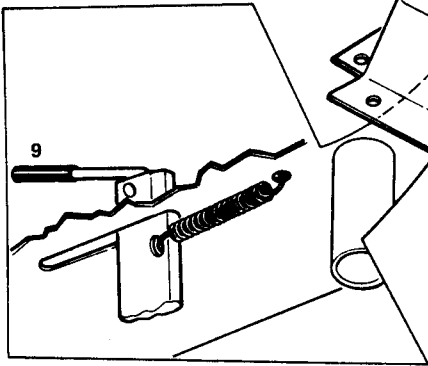
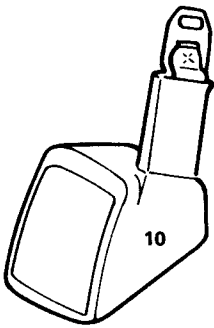
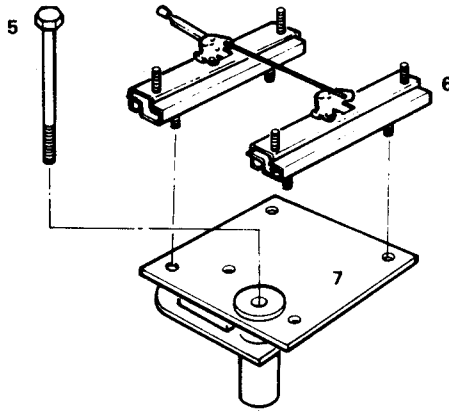
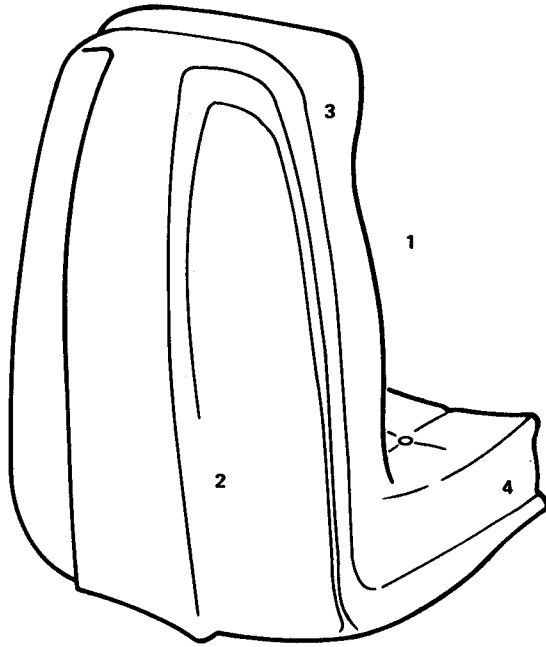
BODY

KEY 230 260 PART NUMBER

23.115 SEAT — DRIVER & SINGLE PASSENGER (BOSTROM)

1	2	2	701539	SEAT ASSY.—driver and passenger, (w/RPO 695/Transmode) (w/gold fabric)
1	2	2	704787	SEAT ASSY.—driver and passenger, (w/RPO 693/Transmode) (w/blue-green fabric)
1	—	2	721417	SEAT ASSY.—driver and passenger, (w/RPO 696) (repl. 718042)
1	2	2	701537	SEAT ASSY.—driver and passenger, (w/RPO 692/Transmode) (w/out RPO BRR, BRS) (orange fabric with vinyl)
1	2	—	2006777	SEAT ASSY.—driver and passenger (fabrics and vinyl omitted) (w/RPO BRR, BRS) (prior to 1976)
1	2	2	701538	SEAT ASSY.—driver and passenger, (w/RPO 690/Transmode) (w/green fabric)
2	2	2	701346	PLATE—seat mounting
3	AR	AR	3969018	SPACER—plate and adjuster
4	2	2	701883	SUPPORT ASSY.—seat
5	8	8	701295	BUSHING—support
6	2	2	701345	SPACER—pivot
7	2	2	701366	LEVER ASSY.—rotation lock
8	2	2	2436655	BRACKET—lever mounting
9	2	2	701400	SPRING—rotation lever
10	2	2	700133	PEDESTAL—seat (prior to 1975) (w/non retractable seat belt)
10	2	2	791366	PEDESTAL ASSY.—seat (Transmode) (eff. w/1975) (w/retractable seat belt)
11	1	1	714447	KIT—seat belt, passenger seat (prior to Eleganza 1)
11	—	1	2010782	KIT—driver seat, belt (w/RPO696) (repl. 718043)
11	—	1	2010783	KIT—passenger seat, (w/RPO696) (repl. 718044)
11	1	1	714446	KIT—seat belt, driver (prior to Eleganza 1)
11	1	1	2008789	BELT ASSY.—driver seat (Transmode) (eff. w/1975) (repl. 717301)
11	1	1	2008790	BELT ASSY.—passenger seat (Transmode) (eff. w/1975) (repl. 717302)
12	2	2	701805	PLATE ASSY.—belt anchor
13	4	4	9425121	BOLT—belt to plate (Motorhome) (prior to 1977)
13	4	4	720008	BOLT—belt to plate (Transmode) (aslo use 4-723407 bolt, & 4-2436165 washer) (eff. w/1975) (prior to 1977)
13	4	4	711850	BOLT—seat belt anchor plate (spec. hex. hd. shoulder) (eff. w/1977)
13	4	4	2436167	WASHER—bolt, seat belt anchor plate (eff. w/1977)
14	2	2	701638	ADJUSTER ASSY.—seat (incl. next 4 items)
—	1	1	709113	SPRING—return, handle, seat adjuster
—	1	1	709114	CLIP—wire seat adjuster connecting
—	2	2	793692	WIRE—latch, seat adjuster connecting
—	2	2	716636	SPRING—seat adjuster return
—	1	1	688836	SUPPORT—seat, driver's floor to crossmember
—	4	4	723407	SPACER—seat belt anchor (eff. w/1975)
—	2	2	NS	COVER ASSY.—driver & passenger seat cushion, (w/RPO 692) (ref. 717749)
—	2	2	719630	COVER ASSY.—driver & passenger seat back, (w/RPO 692)
—	2	2	717671	COVER ASSY.—driver & passenger side arm, (LH), (w/RPO 692)
—	2	2	717672	COVER ASSY.—driver & passenger side arm, (RH), (w/RPO 692)
—	2	2	719631	COVER ASSY.—driver & passenger seat cushion, (w/RPO 690)
—	2	2	719632	COVER ASSY.—driver & passenger seat back, (w/RPO 690)
—	2	2	717666	COVER ASSY.—driver & passenger side arm, (LH), (w/RPO 690)
—	2	2	717667	COVER ASSY.—driver & passenger side arm, (RH), (w/RPO 690)
—	2	2	717036	COVER ASSY.—driver & passenger seat cushion, (w/RPO 695)
—	2	2	719633	COVER ASSY.—driver & passenger seat back, (w/RPO 695)
—	2	2	717671	COVER ASSY.—driver & passenger side arm, (LH), (w/RPO 695)
—	2	2	717672	COVER ASSY.—driver & passenger side arm, (RH), (w/RPO 695)
—	2	2	718462	COVER ASSY.—driver & passenger seat cushion, (w/RPO 693)
—	2	2	723743	COVER ASSY.—driver & passenger seat back, (w/RPO 693)
—	2	2	717671	COVER ASSY.—driver & passenger side arm, (LH) (beige) (w/RPO 693)
—	2	2	717672	COVER ASSY.—driver & passenger side arm, (RH) (beige) (w/RPO 693)
—	1	1	2001884	LABEL—passenger seat, seat facing forward

BODY



23.116 SEAT – DRIVER & SINGLE PASSENGER

BODY

KEY 230 260 PART NUMBER

23.116 SEAT — DRIVER & SINGLE PASSENGER (FLEX STEEL)

NOTE: First Design seat cushions did not have a cut-out for arm rests. Second Design seat cushions have a cut-out for arm rests.

1	—	2	2002263	SEAT ASSY.—driver and passenger (w/RPO 697) (incl. arm rests) (repl. 790308)
1	—	2	2002264	SFAT ASSY.—driver and passenger (w/RPO 681) (dundee gold, plaid) (incl. arm rests) (repl. 794552) (prior to Serial No. 6V100151)
1	—	2	2005709	SEAT ASSY.—driver and passenger (w/RPO 681) (dundee gold, solid) (incl. arm rests) (eff. w/Serial No. 6V100151)
1	—	2	2002266	SEAT ASSY.—driver and passenger (w/RPO 698) (incl. arm rests) (repl. 2000648)
1	—	2	2006610	SEAT ASSY.—driver and passenger (w/RPO 683) (SOA)
1	2	2	2014429	SEAT ASSY.—drive & passenger (OPT.) upholstered (transmode) (SOA) (eff. w/1977)
1	—	2	2010337	SEAT ASSY.—driver and passenger (w/RPO 641)
—	2	2	2014430	SEAT ASSY.—driver & passenger (STD.) upholstered(transmode) (SOA) (eff. w/1977)
1	—	2	2027538	SEAT ASSY.—driver & passenger (w/RPO 685) (eff w/1977)
2	—	2	799282	KIT—plastic trim, seat back (SOA) (w/RPO 641, 681, 697)
2	—	2	2003799	KIT—plastic trim, seat back (SOA) (w/RPO 698)
3	—	2	2003795	CUSHION ASSY.—back (SOA) (w/RPO 681) (prior to serial No. 6V100151)
3	—	2	2027140	CUSHION ASSY.—back (SOA) (w/RPO 641)
3	—	2	2027139	CUSHION ASSY.—back (SOA) (w/RPO 681) (eff w/serial No. 6V100151)
3	—	2	2030921	CUSHION ASSY.—back (SOA) (w/RPO 685) (eff w/1977)
3	—	2	799279	CUSHION ASSY.—back (SOA) (w/RPO 697)
3	—	2	2003800	CUSHION ASSY.—back (SOA) (w/RPO 698)
4	—	2	2003796	CUSHION ASSY.—seat (SOA) (w/RPO 681) (First Design) (prior to serial No. 6V100151)
4	—	2	799281	CUSHION ASSY.—seat (SOA) (w/RPO 697) (First Design)
4	—	2	2004132	CUSHION ASSY.—seat (SOA) (w/RPO 698) (First Design)
4	—	2	2027131	CUSHION ASSY.—seat (SOA) (w/RPO 681) (Second Design) (w/side cut-out) (prior to serial No. 6V100151)
4	—	2	2027135	CUSHION ASSY.—seat (SOA) (w/RPO 681) (second design) (w/side cut-out) (eff. w/serial N.. 6V100151)
4	—	2	2027136	CUSHION ASSY.—seat (SOA) (w/RPO 641) (w/side cut-out)
4	—	2	2030922	CUSHION ASSY.—seat (SOA) (w/RPO 685) (eff w/1977)
4	—	2	2027130	CUSHION ASSY.—seat (SOA) (w/RPO 697) (Second Design) (w/side cut-out)
4	—	2	2027132	CUSHION ASSY.—seat (SOA) (w/RPO 698) (Second Design) (w/side cut-out)
5	—	2	—	BOLT—pedestal (3/8" x 8") (procure locally)
6	—	2	799277	TRACK ASSY.—seat (SOA)
7	—	2	NS	PLATE—pedestal
8	—	1	2010329	PEDESTAL ASSY.—driver seat complete (w/RPO 641) (w/ZEO6581 & ZEO6584) (prior to 1978)
8	—	1	2028712	PEDESTAL ASSY.—driver seat complete (w/RPO 683, or 2014429, 2014430 seat assy.) (w/ZEO6582) (repl. 2008784)
8	1	—	2028712	PEDESTAL ASSY.—driver complete (w/1976 to 1977 transmode)
8	1	—	2028712	PEDESTAL ASSY.—driver complete (1978 transmode)(repl. 2008784)
8	—	1	2028585	PEDESTAL ASSY.—drivers seat complete (w/RPO 697) (w/ZEO 6581)
8	—	1	790301	PEDESTAL ASSY.—driver seat complete (w/RPO 681 & 697 & 698) (w/ZEO6581)
8	—	1	2028585	PEDESTAL ASSY.—driver seat complete (w/RPO 641, 698) (w/ZEO6581) (1978) (repl. 2028525, 2028527 & paint)
8	—	1	2010330	PEDESTAL ASSY.—passenger seat complete (w/RPO 641) (w/ZEO6581 & ZEO6584) (prior to 1978)
8	—	1	2028711	PEDESTAL ASSY.—passenger seat complete (w/RPO 683 or 214429, 2014430 seat assy.) (w/ZEO6582) (repl. 2008783)
8	1	—	2028711	PEDESTAL ASSY.—passenger seat complete (w/1976 to 1977 transmode) (repl. 2008783)
8	1	—	2028711	PEDESTAL ASSY.—passenger seat complete (1978 transmode)
8	—	1	790302	PEDESTAL ASSY.—passenger seat complete (w/RPO 681 & 697 & 698) (w/ZEO6581)

BODY

KEY 230 260 PART NUMBER

23.116 SEAT — DRIVER & SINGLE PASSENGER (FLEX STEEL) (Cont.)

8	—	1	2028586	PEDESTAL ASSY.—passenger seat complete (w/RPO 697) (w/ZEO 6581)
8	—	1	2028586	PEDESTAL ASSY.—passenger seat complete (w/RPO 641, 698) (w/ZEO 6581) (1978) (repl. 2028524, 2028526 & paint)
8	—	1	2028585	PEDESTAL ASSY.—driver seat complete (w/RPO685) (eff w/1977) (repl. 2027536)
8	—	1	2028586	PEDESTAL ASSY.—passenger seat complete (w/RPO 685) (eff w/1977) (repl. 2027537)
9	—	2	799278	GRIP—actuator (pedestal) (eff. w/1975) (black)
10	—	1	793969	BELT & RETRACTOR ASSY.—driver seat (w/RPO 681, 697)
10	—	1	2002845	KIT—seat belt, drivers (w/RPO 698)
10	—	1	793970	BELT & RETRACTOR ASSY.—passenger seat (w/RPO 681, 697)
10	—	1	2002840	KIT—seat belt, passenger (w/RPO 698)
10	—	2	793972	BELT ASSY.—driver and passenger seat (w/RPO 683)
10	—	1	2027153	BELT & RETRACTOR ASSY.—driver seat (w/RPO 641) (repl. 2010352)
10	—	1	2027154	BELT & RETRACTOR ASSY.—passenger seat (w/RPO 641) (repl. 2010356)
10	—	1	2029283	KIT—driver seat belt (w/RPO 685)
10	—	1	2029284	KIT—passenger seat belt (w/RPO 685)
11	—	2	—	NUT—bolt (3/8") (procure locally)
12	—	4	720008	BOLT—belt to plate (also use 4-723407 spacer & 4-2436165 washer) (prior to 1977)
12	4	4	711850	BOLT—seat belt anchor plate (eff. w/1977)
13	4	4	2436167	WASHER—bolt seat plate anchor plate (eff. w/1977)
13	—	4	723407	SPACER—seat belt anchor (prior to 1977)
14	—	2	701805	PLATE ASSY.—belt anchor
15	—	8	—	SCREW—plate (procure locally) (ref. 9414726)
—	—	9	2003790	BUTTON—strap (1") (w/RPO 681) (prior to serial No. 6V100151)
—	—	9	799283	BUTTON—strap (1") (w/RPO 697)
—	—	9	2003797	BUTTON—strap (1") (w/RPO 698) (plain)
—	—	9	2029995	BUTTON—strap (1-1/4) (w/RPO 685) (eff w/1977)
—	—	9	2027143	BUTTON—strap (1 5/8") (w/RPO 641)
—	—	9	2027142	BUTTON—strap (1 5/8") (w/RPO 681) (eff w/serial No. 6V100151)
—	—	9	2029991	BUTTON—strap (1-5/8) (w/RPO 685) (eff w/1977)
—	—	9	2027145	BUTTON—strap (2 1/4") (w/RPO 641)
—	—	9	2003792	BUTTON—strap (2 1/4") (w/RPO 681) (prior to serial No. 6V100151)
—	—	9	2027144	BUTTON—strap (2 1/4") (w/RPO 681) (eff w/serial No. 6V100151)
—	—	9	799284	BUTTON—strap (2 1/4") (w/RPO 697)
—	—	9	2003798	BUTTON—strap (2 1/4") (w/RPO 698) (plaid)
—	1	1	—	LABEL—passenger seat, seat facing forward (see group 23.115)

NOTE: The following arm rest kits are used **ONLY** on those 1975 Motorhome driver and passenger seats that were built **WITHOUT** arm rests.

—	—	1	2005783	ARM REST KIT—driver seat (dundee) (w/RPO 681)
—	—	1	2005780	ARM REST KIT—passenger seat (dundee) (w/RPO 681)
—	—	1	2005782	ARM REST KIT—driver seat (brahmin) (w/RPO 697)
—	—	1	2005779	ARM REST KIT—passenger seat (brahmin) (w/RPO 697)
—	—	1	2005784	ARM REST KIT—driver seat (palm beach) (w/RPO 698)
—	—	1	2005781	ARM REST KIT—passenger seat (palm beach) (w/RPO 698)
—	—	1	2005793	ARM REST ASSY.—driver seat, LH (less cover asm.) (SOA) (w/RPO 681, 697 & 698)
—	—	1	2005791	ARM REST ASSY.—passenger seat, LH (less cover asm.) (SOA) (w/RPO 681, 697 & 698)
—	—	1	2005794	ARM REST ASSY.—driver seat, RH (less cover asm.) (SOA) (w/RPO 681, 697 & 698)
—	—	1	2005792	ARM REST ASSY.—passenger seat, RH (less cover asm.) (SOA) (w/RPO 681, 697 & 698)
—	—	1	2005787	COVER ASSY.—arm rest, (block) LH (w/RPO 681)
—	—	1	2005788	COVER ASSY.—arm rest, (block) RH (w/RPO 681)
—	—	1	2005785	COVER ASSY.—arm rest, (block) LH (w/RPO 697)
—	—	1	2005786	COVER ASSY.—arm rest, (block) RH (w/RPO 697)
—	—	1	2005789	COVER ASSY.—arm rest, (block) LH (w/RPO 698)
—	—	1	2005790	COVER ASSY.—arm rest, (block) RH (w/RPO 698)

NOTE: The following arm rest are (eff. w/1975) Motorhome driver and passenger seats built w/arm rest and seat cushions (w/side cut-outs)

—	—	1	2027127	ARM—driver & passenger seat LH (less cover) (w/RPO 641)
---	---	---	----------------	---

BODY

KEY 230 260 PART NUMBER

23.116 SEAT — DRIVER & SINGLE PASSENGER (FLEX STEEL) (Cont.)

—	—	1	2027129	ARM—driver & passenger seat RH (less cover) (w/RPO 641)
—	—	1	2027123	ARM—driver & passenger seat LH (less cover) (w/RPH 681 & 697)
—	—	1	2027124	ARM—driver & passenger seat RH (less cover) (w/RPO681 & 697)
—	—	2	2030923	ARM—driver & passenger seat LH (w/RPO 685)
—	—	2	2030924	ARM—driver & passenger seat RH (w/RPO 685)
—	—	1	2027125	ARM—driver & passenger seat LH (less cover) (w/RPO 698)
—	—	1	2027126	ARM—driver & passenger seat RH (less cover) (w/RPO 698)
—	—	1	2027120	COVER—arm rest (block LH (w/RPO 641)
—	—	1	2027121	COVER—arm rest (block) RH (w/RPO 641)
—	—	1	2027114	COVER—arm rest (block) LH (w/RPO 681) (prior to serial No. 6V100151)
—	—	1	2027115	COVER—arm rest (block) RH (w/RPO 681) (prior to serial NO. 6V100151)
—	—	1	2027118	COVER—arm rest (block) LH (w/RPO 681) (eff w/serial No. 6V100151)
—	—	1	2027119	COVER—arm rest (block) RH (w/RPO 681) (eff w/serial No. 6V100151)
—	—	1	2030925	COVER—arm rest (block) LH (w/RPO 685)
—	—	1	2030927	COVER—arm rest (block) RH (w/RPO 685)
—	—	1	2027112	COVER—arm rest (block) LH (w/RPO 697)
—	—	1	2027113	COVER—arm rest (block) RH (w/RPO 697)
—	—	1	2027116	COVER—arm rest (block) LH (w/RPO 698)
—	—	1	2027117	COVER—arm rest (block) RH (w/RPO 698)

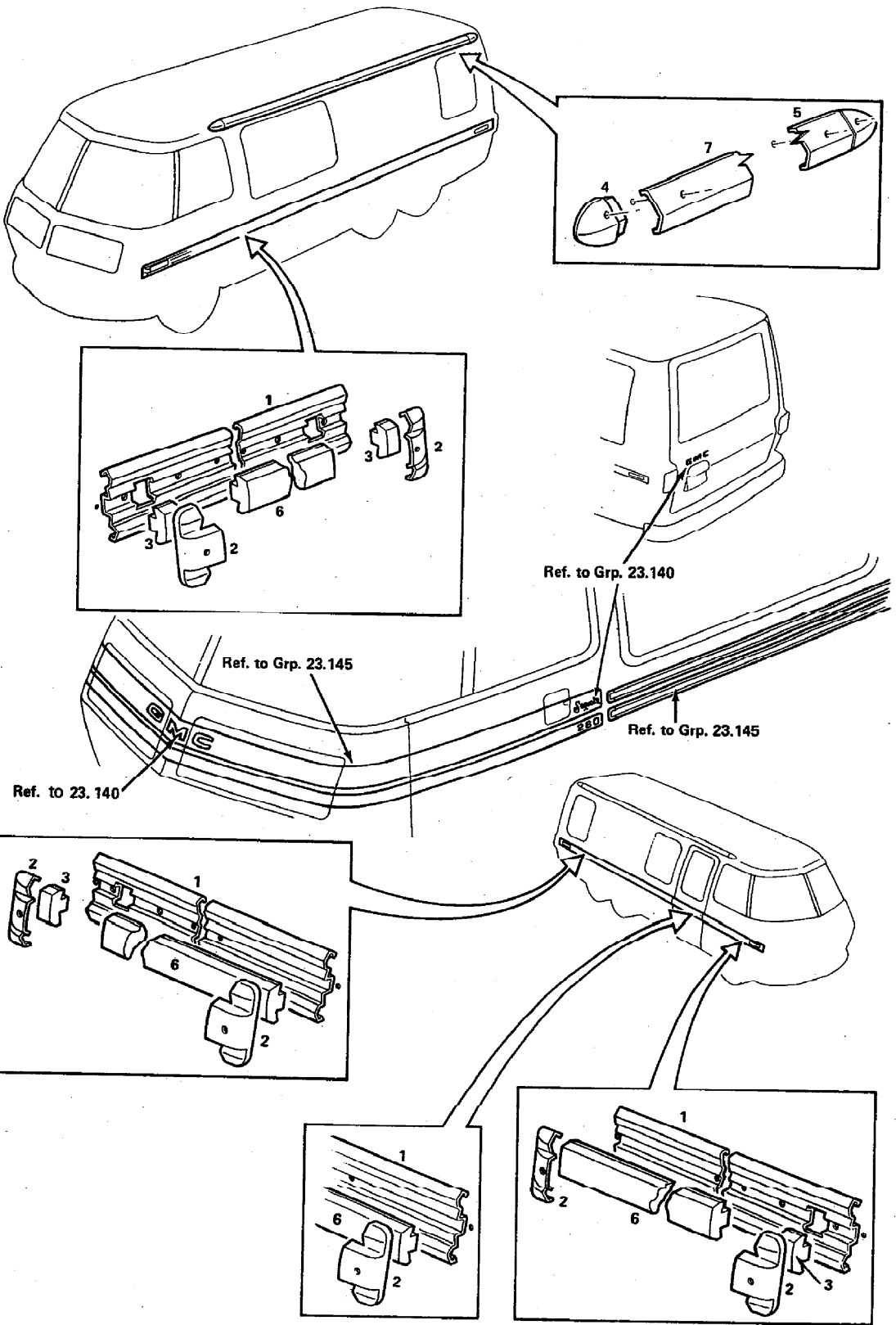
BODY

KEY 230 260 PART NUMBER

23.117 SEAT — DUAL PASSENGER

1	1	1	701535	SEAT ASSY.—dual passenger, (w/RPO 690)
1	1	1	701534	SEAT ASSY.—dual passenger, (w/RPO 692)
1	1	1	704788	SEAT ASSY.—dual passenger, (w/RPO 693)
1	1	1	701536	SEAT ASSY.—dual passenger, (w/RPO 695)
2	1	—	701955	PLATE—seat mounting
3	1	1	701953	PLATE ASSY.—mounting, seat pedestal
4	—	AR	3969018	SPACER—mounting plate
5	1	1	701952	SUPPORT—seat, front
6	1	1	701954	SUPPORT—seat, rear
7	4	—	701295	BUSHING—support
8	1	—	701345	SPACER—pivot
9	1	—	701910	LEVER ASSY.—rotation lock
10	1	—	2436655	BRACKET—lever mounting
11	—	1	700133	PEDESTAL—seat.
12	1	1	714431	KIT—belt assy., dual seat (repl. 714447, 716899, 716900)
13	2	2	701805	PLATE ASSY.—belt to plate
14	1	1	9425121	BOLT—belt to plate
14	1	1	720008	BOLT—belt to riser (eff. w/1975)
14	1	1	3930679	BOLT—belt to plate (Transmode) (eff. w/1975)
15	2	—	701400	SPRING—lever rotation
16	2	—	3975524	SPACER—seat rotation lock lever to bracket
—	—	1	701883	SUPPORT ASSY.—seat
—	4	—	715373	RETAINER—seat swivel anti-release
—	8	8	2436161	WASHER—bolt, retainer to seat (1/4 - .291 I.D. x .500 O.D., .063 thk.)
—	4	4	271184	NUT—incl. washer, 5/16-18 hex, hd.
—	1	1	NS	COVER ASSY.—dual passenger seat cushion, (w/RPO 690)(ref. 719627)
—	1	1	NS	COVER ASSY.—dual passenger seat back, (w/RPO 690) (ref. 719628)
—	1	1	792855	COVER ASSY.—dual passenger seat cushion, (w/RPO 692)
—	1	1	792856	COVER ASSY.—dual passenger seat back, (w/RPO 692)
—	1	1	717716	COVER ASSY.—dual passenger seat cushion, (w/RPO 693)
—	1	1	717717	COVER ASSY.—dual passenger seat back, (w/RPO 693)
—	1	1	719629	COVER ASSY.—dual passenger seat cushion, (w/RPO 695)
—	1	1	NS	COVER ASSY.—dual passenger seat back, (w/RPO 695)(ref. 717665)

BODY



23.130 MOLDING -- BODY SIDE
(FIRST DESIGN)

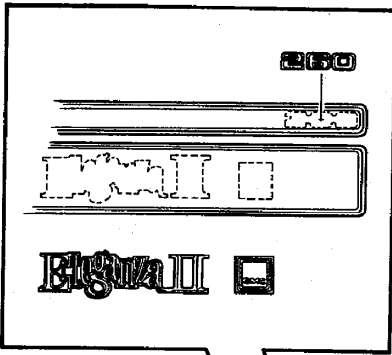
BODY

KEY 230 260 PART NUMBER

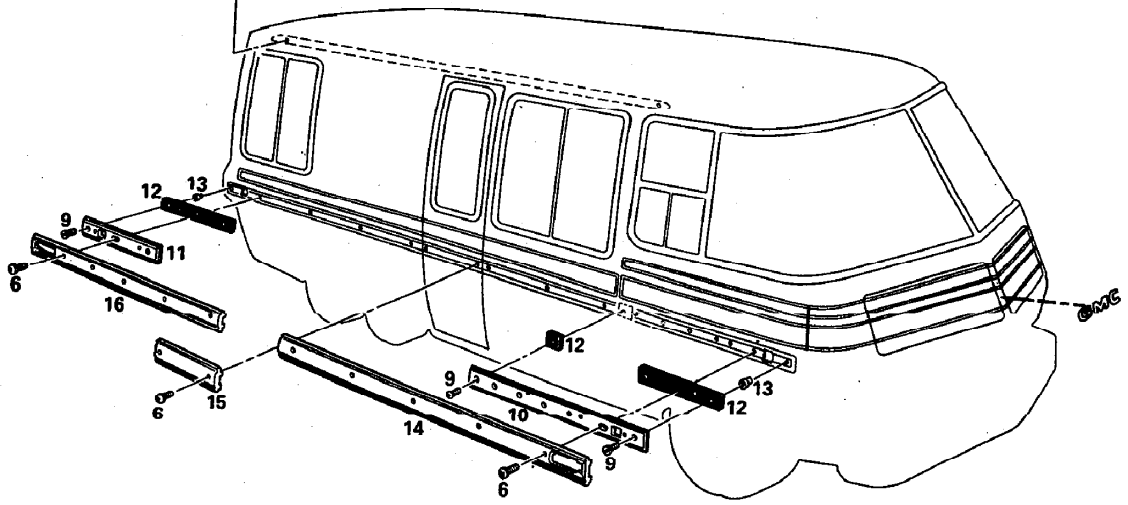
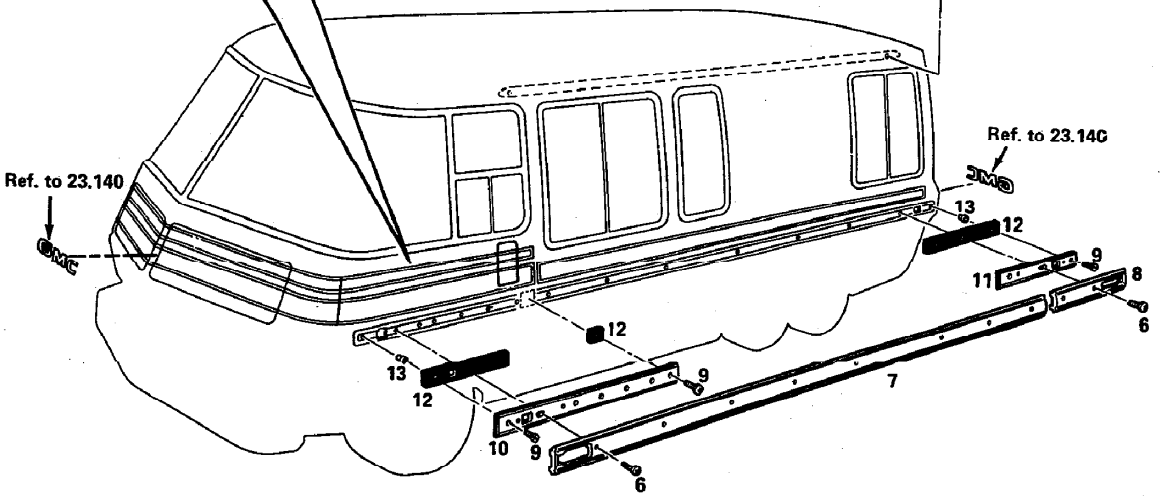
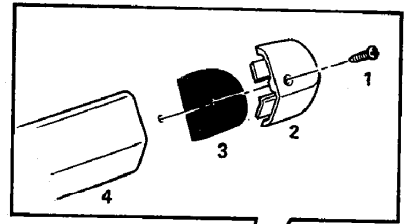
23.130 MOULDING — BODY SIDE (FIRST DESIGN)

1	AR	AR	8884082	MOULDING—body side rub rail. (8' length) (CTL)
—	—	AR	2008764	SCREW—body side rub rail moulding
2	8	8	701417	END CAP—moulding, rub rail, (RH)
3	4	4	705299	END CAP—moulding, rub rail, (RH & LH)
4	2	2	703656	CAP—front end upper moulding
5	2	2	703657	CAP—rear end upper moulding
6	AR	AR	8884089	RAIL ASSY.—rub (25') (CTL)
7	AR	AR	8884084	MOULDING—trim, side upper (drip moulding) (6' length) (CTL)
—	AR	AR	8884090	RETAINER—rub rail (8' length) (CTL)
—	AR	AR	2226070	RIVNUT—moulding, body side rub rail
—	AR	AR	791702	SCREW—moulding, rub rail (self sealing)
—	2	2	2009163	GASKET—end cap (RH/LH) (upper trim moulding) (2.36" x 2.22") (eff. w/1975)
—	2	2	2009164	GASKET—end cap (RH/LH) (upper trim moulding) (2.36" x 2.22") (eff. w/1975)

BODY



Ref. to 23.140



23-130H BODYSIDE MOLDING & EMBLEMS
(SECOND DESIGN)

23-94

3P-19011-177

BODY

KEY 230 260 PART NUMBER

23.130H MOULDING — BODY SIDE (SECOND DESIGN)

1	AR	AR	2008764	SCREW—body side trim upper moulding
2	2	2	703657	CAP—body side trim moulding rear end (RH & LH)
3	2	2	2009163	GASKET—body side trim moulding end cap (RH & LH) (2.36" x 2.22")
4	AR	AR	8884084	MOULDING—body side trim upper (RH & LH)
5	2	2	703656	CAP—body side trim moulding front end (RH & LH)
6	10	10	2006755	SCREW—mtg. rub rail
7	—	1	2008164	RAIL—rub. LH front (260.90" x 2.04")
7	1	—	2008165	RAIL—rub. LH front (225.73" x 2.04")
8	1	1	2008163	RAIL—rub. LH rear (10.53" x 2.04")
9	AR	AR	9423437	SCREW—belt rail mounting (NO. 8-18 x 3/4)
10	2	2	2007981	RAIL—belt, longitudinal front (49.18" x 2.12") (extruded aluminum) (RH & LH)
11	2	2	2007982	RAIL—belt, longitudinal rear (10.58" x 2.12") (RH & LH)
12	6	6	2008158	SEAL—belt rail (1.90" x 1.90") (adhesive) (RH & LH)
13	AR	AR	2226070	RIVNUT—moulding, body side rub rail
14	—	1	2008160	RAIL—rub. PH front (114.34" x 2.04")
14	1	—	2008162	RAIL—rub. RH front (50.36" x 2.04")
15	1	1	2008166	RAIL—rub. entrance door (28.22" x 2.04")
16	1	—	2008161	RAIL—rub. RH rear (157.74" x 2.04")
16	—	1	2008159	RAIL—rub. RH rear (127.38" x 2.04")
—	—	1	2028082	CAP—entrance door rain (drip moulding) (31.02" lg)

23.140 DECALS — DECOR & MODEL

—	2	—	702251	DECAL—230
—	—	2	702250	DECAL—260 (prior to Eleganza 1)
—	—	2	722384	DECAL—260 (eff. w/Eleganza 1)
—	—	3	722382	DECAL—"Eleganza SE" (w/Eleganza 1)
—	—	3	793159	DECAL—Eleganza II
—	—	3	796007	DECAL—Glenbrook
—	—	3	2001763	DECAL—Palm Beach
—	—	2	2011392	DECAL—Edgemonte
—	—	3	2015712	DECAL—Kingsley
—	2	2	702247	DECAL—Canyon Lands
—	2	2	702248	DECAL—Glacier
—	2	2	702230	DECAL—Painted Desert
—	2	2	702249	DECAL—Sequoia
—	—	2	722383	DECAL—"GMC", side, Eleganza 1
—	2	2	793160	DECAL—"GMC", side, (Eleganza II, Glenbrook & Kingsley)
—	—	2	2001764	DECAL—"GMC", side, (Palm Beach)
—	1	1	701977	DECAL—identification, front
—	1	1	701976	DECAL—identification, rear GMC
—	—	1	722385	DECAL—identification, rear GMC
—	1	1	716479	EMBLEM—front, letter "G" (eff. w/1975)
—	1	1	716498	EMBLEM—front, letter "M" (eff. w/1975)
—	1	1	716499	EMBLEM—front, letter "C" (eff. w/1975)
—	1	1	716478	EMBLEM—rear, letter "G" (eff. w/1975)
—	1	1	716496	EMBLEM—rear, letter "M" (eff. w/1975)
—	1	1	716497	EMBLEM—rear, letter "C" (eff. w/1975)
—	17	17	—	NUT—attaching, letter to body (procure locally) (ref. 9419764) (prior to 1978)
—	17	17	3829006	CLIP—attaching, letter to body (1978)

BODY

KEY 230 200 PART NUMBER

23.145 STRIPES — ACCENT

Color	D. Blue/ L. Blue	D. Yellow/ L. Yellow	L. Orange/ White	D. Green/ L. Green	D. Orange/ L. Orange
Kit No.	—	702258	702264	702270	702276
LH Side (Dr. Wdo.)	702253	702259	702265	702271	702277
RH Side (Pass. Wdo.)	702254	702260	702266	702272	702278
LH Door (access)	702255	702261	702267	702273	702279
RH Door (access)	702256	702262	702268	702274	702280
Center	702257	702263	702269	702275	702281
Fuel Fill Door	703674	703675	703676	703677	703678
LH Corner (front)	705363	705364	705365	705366	705367
RH Corner (front)	705368	705369	705370	705371	705372

SIDE STRIPES (EFF. W/1973)

	Light & Dark Stripe Kit	Light Color End Pieces	Dark Color End Pieces
(L. Blue D. Blue)	715280	703684	703694
(L. Yellow/ D. Yellow)	715340	703685	703695
(White/ L. Orange)	715367	703686	703696
(L. Green/ D. Green)	715387	703687	703697
(L. Orange/ D. Orange)	715396	703688	703698

NOTE: Stripe Kit (prior to 1975) consists of 2 light & 2 dark stripes.

1 Stripe Kit required per motor home.

4 Light color end pieces required per motor home.

4 Dark color end pieces required per motor home.

FRONT STRIPES (EFF. W/1975)

	*Ochre & Gold	*Frosted Mint	*Buckskin	*Suntan	*Firethorne (Coca-Cola)
Kit No.	722144	2001779	2011611	2014482	2036479
LH Side (Dr. wdo.)	722386	2001765	2011394	2015676	2036490
RH Side (Pass. wdo.)	722387	2001766	2011395	2015677	2036489
LH Door (access)	722388	2001767	2011396	2015678	2036488
RH Door (access)	722389	2001768	2011397	2015679	2036487
Center	722390	2001770	2011398	2015680	2036484
Fuel Fill Dr.	722391	2001771	2011400	2015681	2036491
LH Corner (front)	722392	2001772	2011602	2015682	2036486
RH Corner (front)	722393	2001773	2011610	2015683	2036485

BODY

KEY 230 260 PART NUMBER

SIDE & REAR STRIPES (EFF. W/1975) (PRIOR TO 1977)

	*Ochre Gold	*Frosted Mint	*Buckskin	*Suntan	*Firethorne (Coca-Cola)
Left & Right Side	#722394	#2001774	—	#2015684	—
Rear	722395	2001775	—	2015686	—

*NOTE: Ochre & Gold — w/RPO 681, 696, 697
 Frosted Mint — w/RPO 698
 Buckskin — w/RPO 683
 Suntan — w/RPO 641
 Firethorne — w/RPO 685

#NOTE: (eff. w/1975) (prior to 1977 left & right side require the same part number)

SIDE & REAR STRIPES (1977)

	*Ochre & Gold	*Frosted Mint	*Buckskin	*Suntan	*Firethorne (Coca-Cola)
Entrance Dr	2017857	2017856	—	2017855	2036481
Left & Right Side	**2017848 70"	**2017846 70"	—	**2017844 70"	**2036482 70"
	**2017851 59"	**2017847 59"	—	**2017845 59"	**2036480 59"
Rear	722395	2001775	—	2015686	2036482
End Cap	2017854	2017853	—	2017852	2036483

*NOTE: Ochre & Gold — w/RPO 681, 696, 697
 Frosted Mint — w/RPO 698
 Buckskin — w/RPO 683
 Suntan — w/RPO 641
 Firethorne — w/RPO 685

**NOTE: (1977) Left side consists of (4) 59" stripes.
 (1) end cap stripe
 Right side consists of (2) 59" stripes
 (1) 70" stripe
 (1) side door stripe
 (1) end cap stripe

BODY

KEY 230 260 PART NUMBER

FRONT STRIPES (1978)

	*Medium Beige	*Medium Green	*Saffron
Color Kit No.	2032787	2032788	2032786
LH Side (Dr. wdo.)	2032219	2032221	2032216
RH Side (Pass. wdo.)	2032220	2032222	2032218
LH Door (access)	2032206	2032208	2032204
RH Door (access)	2032207	2032209	2032205
Center	2032202	2032203	2032201
Fuel Fill Door	2032224	2032225	2032223
Left Corner (front)	2032212	2032214	2032210
Right Corner (front)	2032213	2032215	2032211
Front Upper (LH)	2032266	2032268	2032264
Front Upper (RH)	2032267	2032269	2032265
Front Side	2032271	2032272	2032270
Front Side (upper RH)	2032274	2032275	2032273

SIDE & REAR STRIPES (1978)

	*Medium Beige	*Medium Green	Saffron
Entrance Dr Intermediate (Side LH)	2032234	2032235	2032233
Intermediate (Side RH)	2032230	2032231	2032229
Rear Side (LH)	2033227	2032228	2032226
Water & Ele. (Access Dr.)	2032238	2032240	2032237
Water Fill (Dr.)	2032247	2032248	2032246
Rear Side RH (exc. RPO/U97)	2032253	2032254	2032252
Rear Side RH (w/RPO/U97)	2032244	2032245	2032243
Rear	2032250	2032251	2032249
End Cap (LH)	2032262	2032263	2032261
End Cap (RH)	2032257	2032259	2032255
Entrance Dr (Upper)	2032258	2032260	2032256
Rr. Side Upper (RH & LH)	2032277	2032278	2032276
Rear Upper	2032280	2032281	2032279
End Cap (Upper LH)	2032289	2032290	2932288
End Cap (Upper RH)	2032284	2032286	2032282
	2032285	2032287	2032283

*NOTE: Medium Beige — w/RPO 697
 Medium Green — w/RPO 689
 Saffron — w/RPO 641

LIST OF SUB GROUPS

Name	Group No.
COMPRESSOR — AIR CONDITIONING	26.020
DUCT — AUTOMOTIVE HEATER AND AIR CONDITIONING (PRIOR TO 1977)	26.035
DUCT — AUTOMOTIVE HEATER AND AIR CONDITIONING (EFF. W/1977)	26.035F
HEATER — AUTOMOTIVE	26.010
HEATER AND EVAPORATOR — AIR CONDITIONING (PRIOR TO 1977)	26.015
HEATER AND EVAPORATOR — AIR CONDITIONING (EFF. W/1977)	26.015H
HOSES AND FITTINGS — HEATER AND AIR CONDITIONING	26.040
MOUNTING — AIR CONDITIONING COMPRESSOR, CONDENSER & DEHYDRATOR	26.025

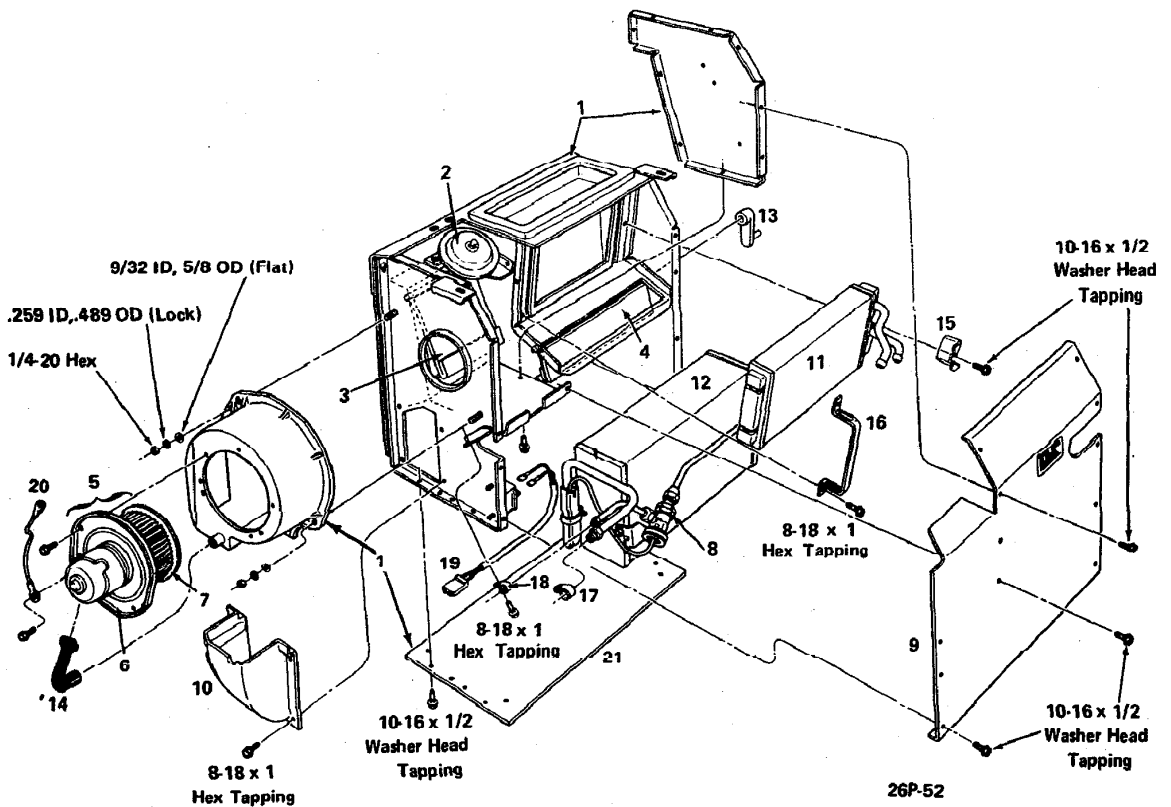
NOTES

HEATER AND AIR CONDITIONING

KEY 230 260 PART NUMBER

26.010 HEATER — AUTOMOTIVE

—	1	1	3031532	HEATER ASSY.—automotive, incl. blower (Second Design) (incl. the following items marked asterisk (*) as indicated)
—	1	1	* 3031533	HEATER ASSY.—(used w/3031532) (SOA)
—	1	1	3028640	HEATER ASSY.—automotive, incl. blower (not used w/a/c) (First Design)
—	1	1	3028864	CASE ASSY.—heater (SOA)
—	1	1	* 3022661	MOTOR ASSY.—blower (incl. fan) (incl. next 4 items)
—	1	1	* 4960506	MOTOR ASSY.—blower pkg. (SOA) (repl. 5044760)
—	1	1	* 3027062	KIT—fan, blower motor (SOA)
—	1	1	* 3027134	NUT—shaft, blower motor
—	1	1	* 3015545	WASHER—blower fan support
—	1	1	* 3028773	PLATE ASSY.—cover (SOA)
—	1	1	* 3028767	VALVE ASSY.—temperature (SOA)
—	1	1	* 3028742	DUCT—air
—	1	1	* 3022708	CLAMP—mounting core
—	1	1	* 3028785	CORE—heater
—	1	1	* 3028743	LEVER—temperature valve
—	1	1	* 3021665	STRAP—mounting core
—	1	1	* 3027165	TUBE—motor cooling
—	1	1	* —	WIRE ASSY.—ground (procure locally) (ref. 3017949)



KEY	230	260	PART NUMBER
-----	-----	-----	-------------

26.015 HEATER — AIR CONDITIONING (INCLUDES EVAPORATOR) (PRIOR TO 1977)

—	1	1	3031528	HEATER—air conditioning (incl. evaporator) (eff. w/ 1974) (prior to Serial No. 6V100057)
—	1	1	3035089	HEATER & BLOWER ASSY.—(includes evaporator) (eff. w/Serial No. 6V100057)
—	1	1	3031529	HEATER & EVAPORATOR CASE (prior to 1974) (repl. 3028755)
—	1	1	3028608	HEATER—air conditioning (incl. evaporator) (incl. items thru asterisk) (1973)
1	1	1	3035103	CASE ASSY.—heater and evaporator (w/3035089 blower asm.)
1	1	1	3028755	CASE ASSY.—heater and evaporator (incl. next 3 items) (w/3031529) (ref. only)
2	1	1	3028761	ELEMENT ASSY.—vacuum (incl. bracket) (SOA) (w/3028755)
3	1	1	3028762	VALVE ASSY.—air (SOA) (w/3028755)
4	1	1	3028767	VALVE ASSY.—temperature (SOA)
5	1	1	3027939	MOTOR ASSY.—heater & air conditioning (incl. fan) (incl. next 2 items)
6	1	1	4960846	MOTOR ASSY.—heater & air conditioning (less fan)
7	1	1	3027062	FAN—heater & air conditioning motor (pkg.)
8	1	1	5910744	VALVE ASSY.—expansion (SOA) (repl. 5910754)
9	1	1	3028773	PLATE ASSY.—cover (SOA)
10	1	1	3028742	DUCT—air
11	1	1	3028785	CORE—heater
12	1	1	3028859	CORE—evaporator
13	1	1	3028743	LEVER—valve (w/3031528 heater)
13	2	2	3035093	LEVER—valve (w/3035089 blower)

HEATER AND AIR CONDITIONING

KEY 230 260 PART NUMBER

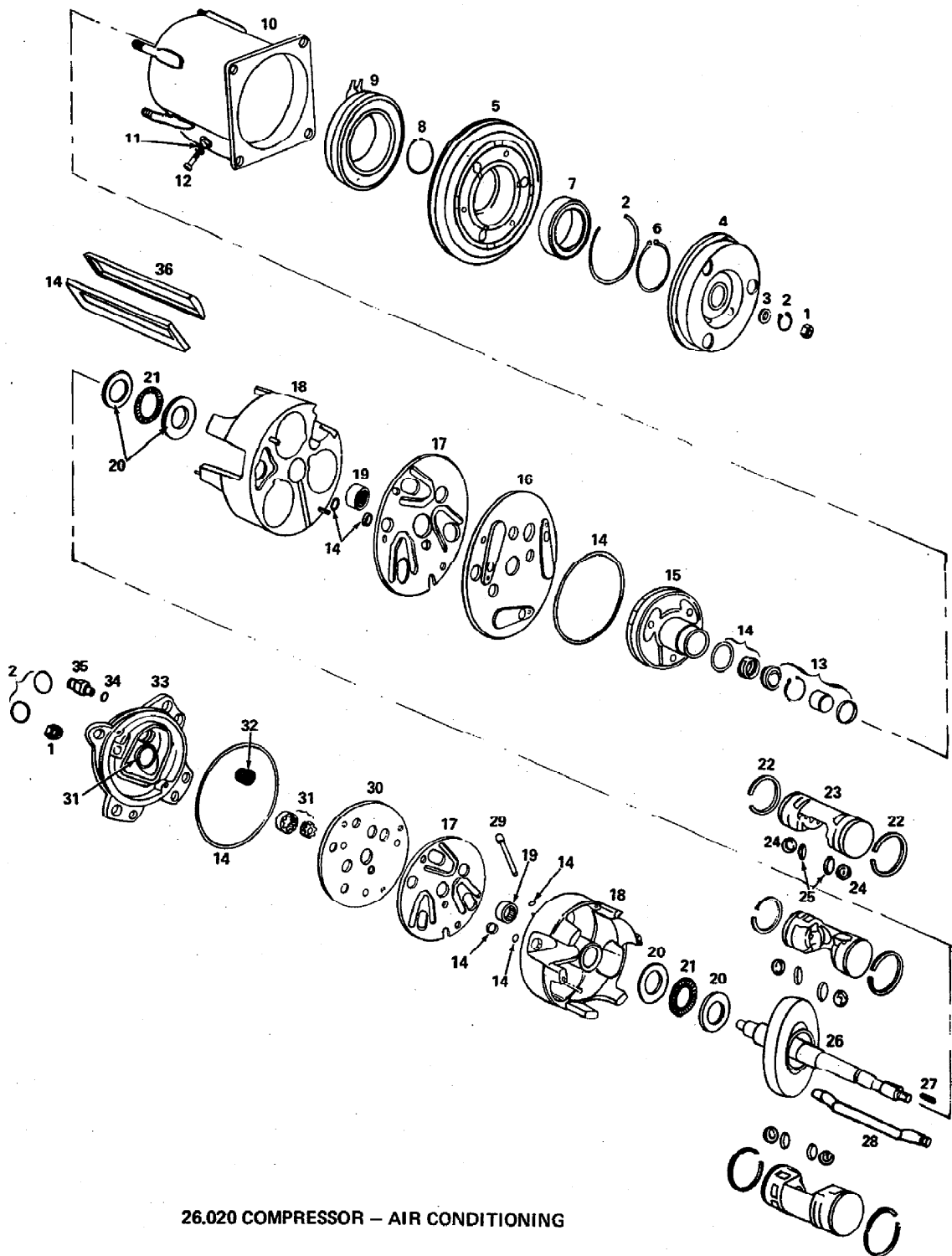
26.015 HEATER — AIR CONDITIONING (INCLUDES EVAPORATOR) (PRIOR TO 1977) (Cont.)

14	1	1	3027165	TUBE—cooling, motor
15	1	1	3022708	CLAMP—mounting, core
16	1	1	3021665	STRAP—mounting, core
17	1	1	3017084	CLAMP—core (5/8 dia.)
18	1	1	3017083	CLAMP—core (3/8 dia.)
19	1	1	3028745	WIRE ASSY.—electrical (SOA)
20	1	1	—	WIRE ASSY.—ground (SOA) (procure locally)
21	1	1	3028744	PLATE—bottom (w/ 3031528)
—	1	1	3028795	SWITCH ASSY.—thermo (SOA)
—	1	1	* 3027134	NUT—heater and air conditioning motor
—	1	1	3035104	ACTR. & BRACKET ASSY.—vac. w/3035103 case)

26.015H HEATER — AIR CONDITIONING (INCLUDES EVAPORATOR) (EFF. w/1977)

—	1	1	3033290	HEATER & BLOWER ASSY.—(includes evaporator) (incl items thru asterisk)
—	1	1	3028745	WIRE ASSY.—electric (SOA)
—	1	1	—	WIRE ASSY.—ground (SOA) (procure locally) (ref. 3017949)
—	1	1	3033293	CASY ASSY.—heater and evaporator (incl. next [4] items)
—	1	1	3028761	BRACKET ASSY.—vacuum element (SOA)
—	1	1	3033301	VALVE ASSY.—air (SOA)
—	1	1	3028767	VALVE ASSY.—air (SOA)
—	1	1	3033317	VALVE ASSY.—air (SOA)
—	1	1	3034904	PLATE ASSY.—cover (SOA)
—	1	1	3036848	MOTOR ASSY.—heater & air conditioning (incl. fan) (incl. next [2] items)
—	1	1	4960846	MOTOR ASSY.—heater (less fan) (SOA) (repl. 5044831)
—	1	1	3036721	FAN ASSY.—service (SOA)
—	1	1	3028795	SWITCH ASSY.—thermo (SOA)
—	1	1	3028742	DUCT—air
—	1	1	3028785	CORE—heater
—	1	1	3028743	LEVER—valve
—	1	1	3033316	CORE ASSY.—evaporator (incl. next item) (repl. 3033313)
—	1	1	5910768	VALVE ASSY.—expansion (SOA)
—	1	1	3022708	CLAMP—core mounting
—	1	1	3021665	STRAP—core mounting
—	1	1	3017084	CLAMP—(.625 dia)
—	1	1	3017083	CLAMP—(.375 dia)
—	2	2	3145607	RETAINER—capillary stake
—	3	3	3039873	SEAL—(.125 x .250 x 18.50) (repl. 3016894)
—	1	1	3028740	SEAL—tube
—	1	1	2022576	BAFFEL ASSY.—air conditioning (eff. w/ 1977) (incl. next 2 items)
—	1	1	—	SEAL—air conditioning LH baffel (procure locally) (ref. 2022566)
—	1	1	—	WIRE—insulator stitching (procure locally) (ref. R34740)
—	1	1	* 3028741	SEAL—tube
—	1	1	2034836	SCREEN—heater air inlet
—	1	1	2019777	BAFFEL ASSY.—air conditioning (SOA) (eff. w/ 1977)
—	1	1	2022723	BAFFEL ASSY.—condenser lower (eff. w/ 1977) (incl. next 4 items)
—	1	1	2022569	RETAINER—condenser lower
—	1	1	—	SEAL—condenser lower baffel (procure locally) (ref. 2022568)
—	1	1	2022570	RETAINER—condenser lower baffel
—	AR	AR	—	WIRE—insulator stitching (procure locally) (ref. R34740)
—	1	1	2022575	BAFFEL ASSY.—condenser side mounting (eff. w/ 1977) (incl. next 2 items)
—	1	1	—	SEAL—condenser side baffel (procure locally) (ref. 2022567)
—	AR	AR	—	WIRE—insulator stitching (procure locally) (ref. R34740)

HEATER & AIR CONDITIONING



26.020 COMPRESSOR - AIR CONDITIONING

HEATER AND AIR CONDITIONING

KEY 230 260 PART NUMBER

26.020 COMPRESSOR — AIR CONDITIONING

—	1	1	6598423	COMPRESSOR BODY ASSY.—air conditioning (incl. the following items marked asterisk (*) as indicated) (repl. 59 10495)
—	1	1	* 6590686	KIT—pin, compressor cylinder locator
1	1	1	6590589	KIT—nut, compressor shell and shaft (incl. 5 nuts)
2	1	1	6590591	KIT—ring, compressor retainer (incl. hub & pulley bearing ring)
3	1	1	6555384	SPACER—compressor clutch hub
4	1	1	5914719	DRIVE ASSY.—compressor clutch (SOA)
5	1	1	5914745	PULLEY ASSY.—(incl. next two items)
6	1	1	6555338	RING—pulley to bearing retainer
7	1	1	908126	BEARING—compressor pulley (repl. 95 18201)
8	1	1	6555330	RING—retainer, compressor coil and housing
9	1	1	6550835	COIL ASSY.—compressor (incl. housing) (SOA)
10	1	1	* 5914808	SHELL ASSY.—compressor (incl. next two items)
11	1	1	* 5858696	GASKET—compressor charging screw
12	1	1	* 5858694	SCREW—compressor charging
13	1	1	* 6599114	KIT—seal, compressor shaft (incl. retainer, rings, seals and seat)
14	1	1	* 6591956	KIT—gasket, compressor
15	1	1	* 6555283	HEAD—compressor, front
16	1	1	* 5914706	PLATE—compressor discharge valve, front
17	2	2	* 6555279	REED—compressor suction valve, front and rear
18	1	1	* 5914809	CYLINDER ASSY.—compressor (complete w/pistons, rings, disc, races, etc.) (incl. next 35 items)
18	1	1	* 5914807	CYLINDER ASSY.—compressor (incl. next item)
19	2	2	* 148406	BEARING—compressor mainshaft
20	1	1	* NS	RACE—compressor bear thrust (0) (ref. 6556000)
20	1	1	* NS	RACE—compressor bearing thrust (5) (ref. 6556050)
20	1	1	* NS	RACE—compressor bearing thrust (5-1/2) (ref. 6556055)
20	1	1	* NS	RACE—compressor bearing thrust (ref. 6556060)
20	1	1	* NS	RACE—compressor bearing thrust (6-1/2) (ref. 6556065)
20	1	1	* NS	RACE—compressor bearing thrust (7) (ref. 6556070)
20	1	1	* NS	RACE—compressor bearing thrust (7-1/2) (ref. 6556075)
20	1	1	* NS	RACE—compressor bearing thrust (8) (ref. 6556080)
20	1	1	* NS	RACE—compressor bearing thrust (8-1/2) (ref. 6556085)
20	1	1	* NS	RACE—compressor bearing thrust (9) (ref. 6556090)
20	1	1	* NS	RACE—compressor bearing thrust (9-1/2) (ref. 6556095)
20	1	1	* NS	RACE—compressor bearing thrust (10) (ref. 6556100)
20	1	1	* NS	RACE—compressor bearing thrust (10-1/2) (ref. 6556105)
20	1	1	* NS	RACE—compressor bearing thrust (11) (ref. 6556110)
20	1	1	* NS	RACE—compressor bearing thrust (11-1/2) (ref. 6556115)
20	1	1	* NS	RACE—compressor bearing thrust (12) (ref. 6556120)
21	2	2	* NS	BEARING—compressor needle thrust (ref. 0550259)
22	6	6	* NS	RING—compressor piston (ref. 6555254)
23	3	3	* NS	PISTON—compressor (ref. 6555255)
24	6	6	* NS	BALL—compressor piston drive (ref. 6555258)
25	1	1	* NS	DISC—compressor shoe (0) (ref. 6557000)
25	1	1	* NS	DISC—compressor shoe (17-1/2) (ref. 6556175)
25	1	1	* NS	DISC—compressor shoe (18) (ref. 6556180)
25	1	1	* NS	DISC—compressor shoe (18-1/2) (ref. 6556185)
25	1	1	* NS	DISC—compressor shoe (19) (ref. 6556190)
25	1	1	* NS	DISC—compressor shoe (19-1/2) (ref. 6556195)
25	1	1	* NS	DISC—compressor shoe (20) (ref. 6556200)
25	1	1	* NS	DISC—compressor shoe (20-1/2) (ref. 6556205)
25	1	1	* NS	DISC—compressor shoe (21) (ref. 6556210)
25	1	1	* NS	DISC—compressor shoe (21-1/2) (ref. 6556215)
25	1	1	* NS	DISC—compressor shoe (22) (ref. 6556220)
26	1	1	—	SHAFT ASSY.—compressor (incl. plate) (SOA) (ref. 59 14705)
27	1	1	* 6555320	KEY—compressor clutch hub
28	1	1	* NS	KIT—tube, compressor discharge (incl. bushing) (ref. 6590592)
29	1	1	* 6555298	TUBE—compressor oil inlet
30	1	1	* 5914709	PLATE—compressor discharge valve, rear
31	1	1	* 6590594	KIT—pump, compressor oil
32	1	1	* 6555299	SCREEN—compressor suction
33	1	1	* 6555302	HEAD—compressor
34	1	1	* 5152148	GASKET—compressor, pressure relief valve (repl. 640044)
35	1	1	* 5914435	VALVE ASSY.—compressor pressure relief
36	1	1	* 6555755	COVER—compressor, suction pass
—	1	1	410363	SHIELD—a/c compressor pulley (eff. w/ 1973 & prior to 1975)

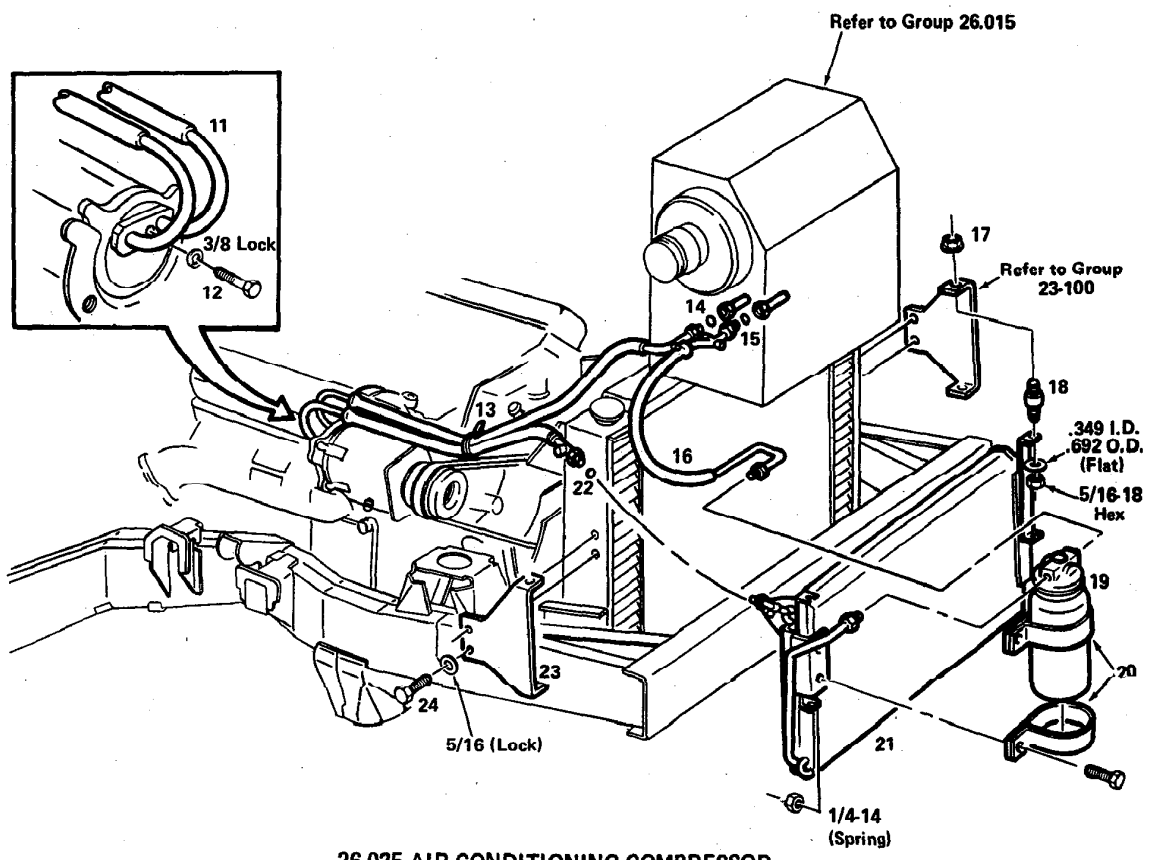
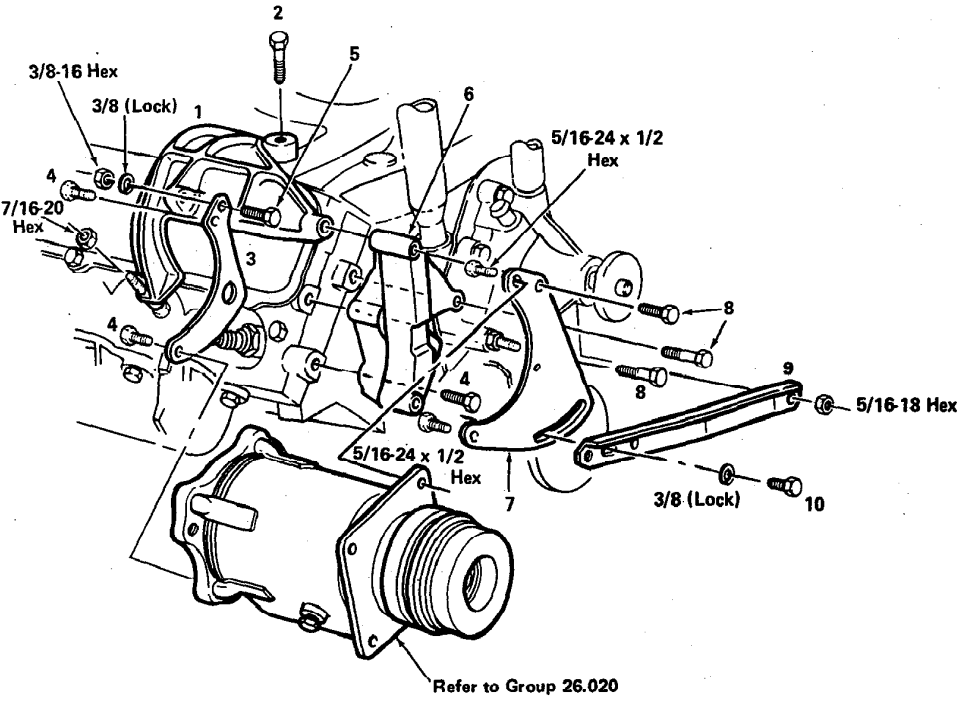
HEATER AND AIR CONDITIONING

KEY	230	260	PART NUMBER
-----	-----	-----	-------------

26.020 COMPRESSOR — AIR CONDITIONING (Cont.)

—	4	4	*	—	PIN—compressor head locator (procure locally) (ref. 455734)
—	1	1		9433674	BELT—compressor (w/4 13610, 416542, 417794, 418694 engine)
—	1	1		9433670	BELT—compressor (w/556626, 556627 engine)

NOTES



26.025 AIR CONDITIONING COMPRESSOR,
 CONDENSER & DEHYDRATOR MOUNTING

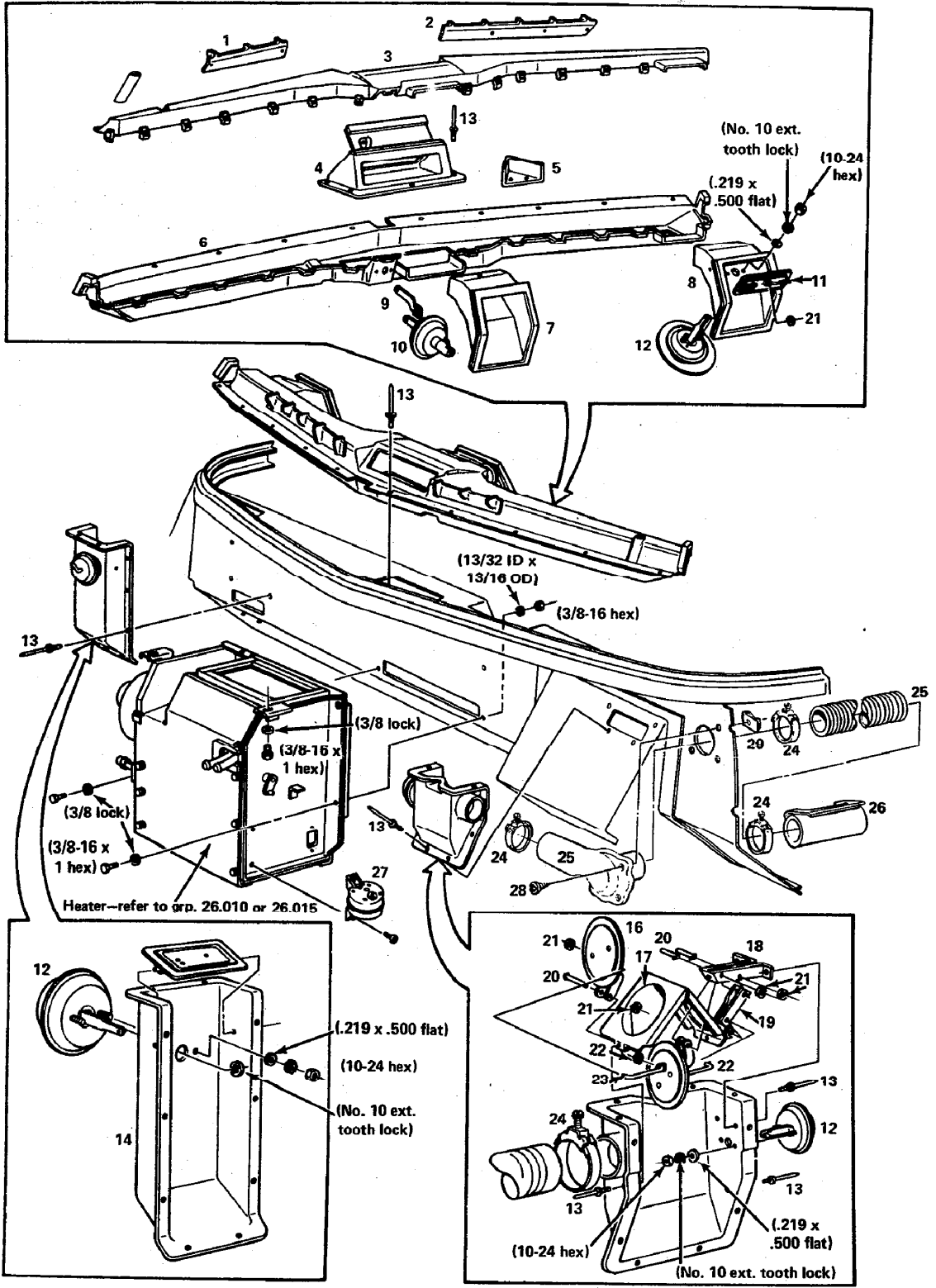
HEATER AND AIR CONDITIONING

KEY 230 260 PART NUMBER

26.025 AIR CONDITIONING COMPRESSOR; CONDENSER & DEHYDRATOR MOUNTING

1	1	1	391366	BRACKET—compressor, rear (to engine)
2	1	1	9421235	BOLT—rear bracket to engine (3/8-16 x 1-1/2 hex—300M) (steel)
3	1	1	387582	SUPPORT—compressor, rear (to compressor)
4	3	3	9427321	BOLT—compressor to support and front bracket to engine (3/8-16 x 1 hex—300M, steel)
5	1	4	9420462	BOLT—pivot, support to bracket (3/8-16 x 1-1/4 hex—300M, steel)
6	1	1	398682	BRACKET—compressor, front (to engine) (w/413610, 416542, 417794, 418694 engine)
6	1	1	555287	BRACKET—compressor, front (to engine) (w/556626, 556627 engine)
7	1	1	392802	LINK—adjusting, compressor
8	3	3	9428394	BOLT—front bracket to engine and link to rear bracket (3/8-16 x 3 hex—300M, steel)
9	1	1	398924	BRACE—adjusting, compressor
10	1	1	9420462	BOLT—adjusting, brace to front bracket (3/8-16 x 1-1/4 hex—300M, steel)
11	1	1	702789	HOSE ASSY.—air conditioning air compressor (at compressor) (SOA)
12	1	1	9425060	BOLT—air compressor hose to compressor (3/8-24 x 1-1/4 hex—300M, steel)
13	1	1	676543	STRAP—air compressor hose to oil filler tube
14	1	1	3140748	RING—“O”, hose (at heater) (.551 I.D. x .070 thick, rubber)
15	2	2	8526398	RING—“O”, hose (.301 I.D. x .070 thick, rubber)
16	1	1	702790	HOSE ASSY.—receiver & dehydrator to heater (SOA)
17	4	4	2473028	NUT—condenser insulator stud (repl. 1359887)
18	4	4	397224	INSULATOR ASSY.—condenser to bracket (SOA)
19	1	1	3012944	DEHYDRATOR ASSY.—air conditioning (incl. receiver) (SOA)
20	2	2	405025	BRACKET—dehydrator to condenser
21	J	1	3014916	CONDENSER ASSY.—air conditioning (SOA) (vehicles built prior to May 1975)
21	1	1	3034647	CONDENSER ASSY.—air conditioning (SOA) (vehicles built after May 1975)
22	2	2	3140600	RING—“O”, air compressor to condenser (.426 I.D. x .070 thick, rubber)
23	1	1	702874	BRACKET—mounting, condenser (to radiator) (First Design)
23	1	1	790628	BRACKET—mounting, condenser (to radiator) RH (Second Design)
24	2	2	9427605	BOLT—condenser bracket to radiator (5/16-18 x 3/4 hex—300M, steel)
—	1	1	680401	BRACKET—mtg., receiver & dehydrator to condenser (eff. w/1975) (repl. 653296)
—	1	1	555288	STRUT—air conditioning compressor to water pump support (eff. w/interm. 1977) (w/556626, 556627 engine)
—	1	1	553723	STRUT—air conditioning compressor rear support (eff. w/interm. 1977) (w/556626, 556627 engine)
—	1	1	413468	SPACER—air conditioning compressor rear support strut stud (eff. w/interm. 1977) (w/556626, 556627 engine)

HEATER & AIR CONDITIONING



3P-8025

26.035 DUCT — AUTOMOTIVE HEATER & AIR CONDITIONING

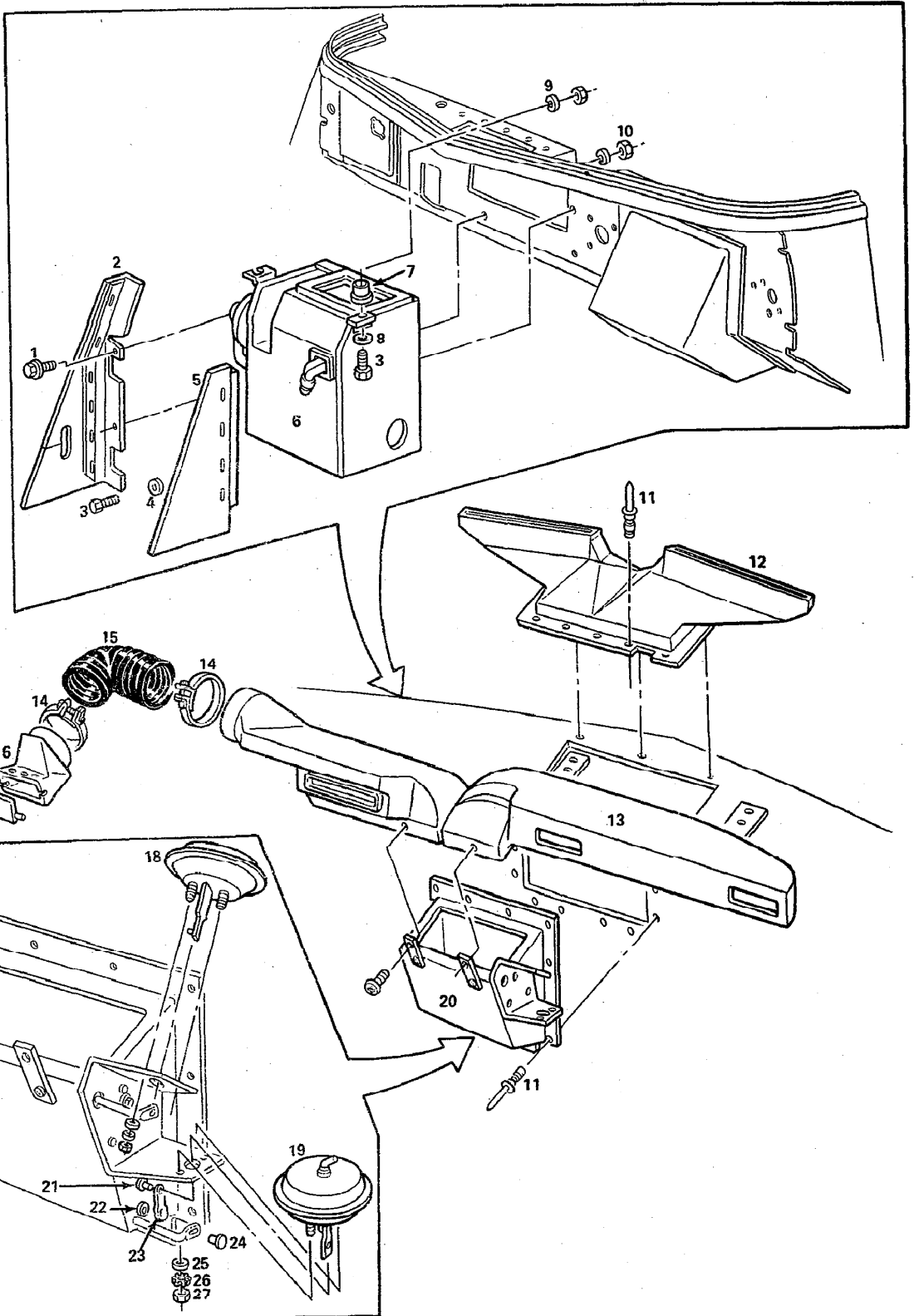
HEATER AND AIR CONDITIONING

KEY 230 260 PART NUMBER

26.035 DUCT — AUTOMOTIVE HEATER & AIR CONDITIONING (PRIOR TO 1977)

—	1	1	703426	PLENUM ASSY. heater and air conditioning
1	1	1	NS	DEFLECTOR—air defroster (LH)
2	1	1	NS	DEFLECTOR—air defroster (RH)
3	1	1	NS	BOX—plenum, upper
4	1	1	NS	BOX—air distribution
5	1	1	NS	DEFLECTOR—air
6	1	1	NS	BOX—plenum, lower
7	1	1	NS	DUCT—heater and air conditioning (center)
8	1	1	NS	DUCT—heater and air conditioning (upper RH)
9	1	1	703653	LINK—actuator, air distribution box
10	1	1	1998905	ACTUATOR ASSY.—vacuum, air distribution box
11	2	2	703783	DOOR ASSY.—duct, heater and air conditioning (upper & lower, RH)
12	3	3	1998985	ACTUATOR ASSY.—vacuum, heater and air conditioning duct (upper and lower RH, lower LH)
13	AR	AR	700368	RIVET—heater and air conditioning (.437 grip range, .188 O.D. x .727, aluminum)
14	1	1	702554	DUCT—heater and air conditioning (lower RH)
15	1	1	702555	DUCT—heater and air conditioning (LH)
16	2	2	704253	DOOR ASSY.—duct, heater and air conditioning (LH)
17	1	1	704241	DEFLECTOR—heater and air conditioning (LH)
18	1	1	704270	SUPPORT—heater and air conditioning LH door
19	1	1	704240	LEVER—linkage, heater and air conditioning LH door
20	3	3	704237	PIN—hinge, heater and air conditioning LH door
21	AR	AR	381700	NUT—push on, actuator to duct and plenum (repl. 3126659)
22	1	1	704239	LINK—control, heater & air conditioning LH door (.90 C.L. to C.L. "U" shaped)
23	1	1	704238	LINK—control, heater & air conditioning LH door (2.08 C.L. to C.L. "U" shaped)
24	3	3	9414942	CLAMP—hose, heater & air conditioning (LH) (2.88 closed, 3.25 opened type "C")
25	1	1	8884092	HOSE—heater & air conditioning duct (LH) (3" I.D.) (10 ft. long, CTL) (First Design)
25	1	1	714034	ELBOW—heater and air conditioning hose (LH) (at dash) (Second Design)
26	1	1	700433	HOUSING—gimble, heater & air conditioning side trim panel, (LH)
27	1	1	385076	TANK ASSY.—vacuum
28	3	3	700368	RIVET—heater and air conditioning hose (LH) elbow (at dash)
29	3	3	9433078	CLIP—rivet, retainer
—	1	1	2491792	CABLE ASSY.—temperature control
—	1	1	678651	GROMMET—temperature control cable thru dash
—	1	1	2005508	DUCT ASSY.—air conditioning (eff. w/Serial No. 6V100057) (w/RPO 681, 696, 697) (dark saddle) (Motor Home)
—	1	1	2005243	DUCT ASSY.—air conditioning (eff. w/Serial No. 6V100057) (w/RPO 698) (avocado)
—	1	1	2005509	DUCT ASSY.—air conditioning (eff. w/Serial No. 6V100057) (w/RPO 690, 692, 693, 695 & TransMode)
—	2	2	1602464	OUTLET ASSY.—air conditioning duct, (eff. w/Serial No. 6V100057) (w/2004783 bezel)
—	2	2	2004783	BEZEL—air conditioning duct (w/1602464 outlet assy.)

HEATER & AIR CONDITIONING



26.035F DUCT - AUTOMOTIVE HEATER & AIR
CONDITIONING (EFF/W 1977)

HEATER AND AIR CONDITIONING

KEY 230 260 PART NUMBER

26.035F DUCT — AUTOMOTIVE HEATER & AIR CONDITIONING (EFF. w/1977)

1	1	1	—	SCREW—baffle evaporator (procure locally) (ref. 9419303)
2	1	1	2019777	BAFFLE ASSY.—a/c
3	1	1	9427321	BOLT—heater dash (300M) (3/8-16 x 1 hex—)
4	1	1	120394	WASHER—heater bolt (3/8 I.D. x O.D. x .080 thk.)
5	1	1	2022576	BAFFLE ASSY.—LH
6	1	1	—	HEATER & BLOWER ASSY.—(includes evaporator) (see group 26.0154H)
7	1	1	—	RIVNUT—bolt heater dash
8	4	4	9421042	WASHER—heater bolt
9	7	7	120321	WASHER—screw baffle evaporator
10	4	4	120377	NUT—screw baffle evaporator
11	AR	AR	700368	RIVET—a/c system
12	1	1	2005001	DUCT—defrost
13	1	1	2001435	PLENUM ASSY.—heater and a/c
14	2	2	—	CLAMP—LH heater duct hose (procure locally) (ref. 9420907)
15	1	1	8861477	HOSE—LH duct
16	1	1	2001707	DUCT—LH heater
17	1	1	1602468	DOOR ASSY.—LH heater duct
18	1	1	1998985	ACTUATOR ASSY.—door vacuum, a/c duct
19	1	1	1998999	ACTUATOR ASSY.—door vacuum, heater duct
20	1	1	2003632	BOX ASSY.—distribution (incl. next item)
—	1	1	2031001	SPRING—heater door return
21	1	1	2419255	RIVET—drive link
22	2	2	381700	NUT—vacuum actuator door
23	1	1	2005280	LINK—vacuum actuator door
24	1	1	134800	RIVET—drive link
25	2	2	—	WASHER—actuator (.214-10 x .500 O.D.) (procure locally) (ref. 9421089)
26	2	2	—	WASHER—external tooth lock (# 10) (procure locally) (ref. 138479)
27	2	2	NPN	NUT—actuator (ref. 120361) (procure locally)
—	2	2	1606800	OUTLET ASSY.—(located LH of steering column)
—	2	2	1602464	OUTLET ASSY.—(located above glove box assy.)
—	1	1	2024068	CABLE ASSY.—heater temperature control
—	1	1	678651	GROMMET—heater temperature control dash
—	1	1	385076	TANK—heater vacuum storage
—	1	1	2005985	HARNES—vacuum control hose
—	2	2	676543	STRAP—hose vacuum tank hose
—	2	2	700813	CLIP—actuator & w/s washer hose to plenum
—	1	1	NPN	DEFLECTOR—a/c system water (10.82 hex—1. x 2.85 hex—) (w/1.75 hex— tab on top LH side) (located inside engine access door) (ref. 2029334) (make locally)

26.040 HOSES — HEATER & AIR CONDITIONING (INCLUDES FITTINGS)

—	5	5	698175	OUTLET ASSY.—air, heater
—	10	10	689645	CLIP—air outlet
—	20	20	700368	RIVET—clip to dash
—	1	1	8913825	HOSE—engine to vacuum tank
—	2	2	708513	CLIP—water valve vacuum hose to plenum (eff. w/1975)
—	AR	AR	482420	HOSE—return, heater (3/4" I.D.) (50 ft. long, CTL) (repl. 8885154)
—	AR	AR	482434	HOSE—supply, heater (50 ft. roll, CTL) (repl. R-37158, 8885155)
—	1	1	—	BRACKET—supply, heater (make loc.) (ref. 2005069)
—	1	1	793852	NIPPLE—heater supply hose, at engine (eff. w/1975) (repl. 407729)
—	4	4	2467789	CLAMP ASSY.—heater return and supply hose
—	2	2	793887	CLAMP—heater return & supply tube hose (eff. w/1976)
—	1	1	2496721	CLIP—hose to heater (repl. 3825416)
—	2	2	676543	STRAP ASSY.—vacuum hose to radiator hose
—	1	1	676543	STRAP ASSY.—heater hose to oil filler tube
—	1	1	494192	VALVE ASSY.—water, heater and air conditioning (with a/c) (repl. 697664)
—	2	2	2467789	CLAMP—valve to hose (with a/c)
—	1	1	702789	HOSE ASSY.—air conditioning air compressor (at compressor) (Prior to 1976)
—	—	1	2017078	HOSE ASSY.—air conditioning air compressor (w/ fittings) (at compressor) (eff. w/1976)
—	—	1	3825416	CLIP—air conditioning air compressor hose (at compressor) (prior to 1976)

HEATER AND AIR CONDITIONING

KEY 230 260 PART NUMBER

**26.040 HOSES — HEATER & AIR CONDITIONING (INCLUDES FITTINGS)
(Cont.)**

—	—	1	2005403	CLIP—air conditioning air compressor hose (at compressor) (eff. w/ 1976)
—	1	1	3140600	RING—“O” air conditioning air compressor hose (.426I.D. x .070 Thk. Rubber)
—	—	1	2017286	GUARD—air compressor hose
—	1	1	680401	BRACKET—stand-off, air conditioning air compressor hose (at compressor)
—	1	1	—	SCREW—clip, heater hose to heater supply clip (repl. 9419380) (procure locally)
—	—	1	2024931	HOSE ASSY.—air conditioning recr & dehydr. outlet
—	1	1	2000385	HOSE ASSY.—air conditioning recr. & dehydr. to conditioning hose
—	2	2	8526398	RING—“o”, air conditioning recr. & dehydr. to conditioning hoses
—	1	1	—	CLIP—hose, air conditioning recr. & dehydr. to conditioning hose (procure locally) (ref. 8876975)