

GMT 922 1/75

INTRODUCTION

The Product Description Manual (P. D. M.) is designed to aid in the assembly and inspection of all G. M. C. trucks. It includes all Standard and RPO (Regular Production Option) parts, and some SEO (Special Equipment Option) information in the form of RANs (Restriction Alteration Notification).

The P. D. M. is organized by model into various "books" and within each book, the information is sorted into U. P. C. (Uniform Part Classification) as defined by the Engineering Bills of Material. Within each U. P. C. there are "Graphics" and a set of Assembly Information sheets.

GRAPHICS

Graphics are perspective illustrations of major assemblies, and are qualified as to model and RPO usage. More than one view is provided if it is needed to understand the entire assembly. The individual parts are identified by item numbers, which are further defined in the "Assembly Information".

ASSEMBLY INFORMATION

The "Assembly Information" is a list of all parts for a given model. Some U. P. C. groups will be non-illustrated as shown by the index, but there will be an "Assembly Information" section as long as engineering has released a part in that U. P. C. group. The information is presented in such a way that the user will know all the usages of a part, both standard and RPO, within a given model series. For this reason, the "Assembly Information" is known as a net statement bill of material. The assembly information for each UPC group is filed behind the Graphics for that group.

MANUAL USAGE INSTRUCTION

The following is a step-by-step guide for using the P. D. M. which can be used as a quick reference for finding your way to the information you need.

The index is on pages 22, 23, and 24
 Please click on this box to go to the index

BY DRAWING (New/Revision) - 134	NO. 3 (Inspection) - 105	DATE	SYM	BY	CHK	DEPARTMENTS	TITLE
		2-11	ORIGINAL RELEASE				P. D. M. USAGE INSTRUCTIONS
							CONTENT
							AGE INSTRUCTIONS

GAT 922 1/73

STEP #1

DETERMINE THE MODEL IDENTIFICATION FROM BROADCAST INFORMATION

Other Sources of Information

- A. Truck Line-Up Sheets
- B. Sales Order
- C. Engineering Specifications
- D. Sales Data Book

For Interpretation of Model Designation See UPC - O at the Front of the First Volume of Each Book for a Model Designator Description.


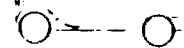

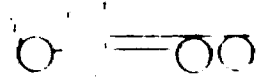
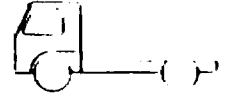
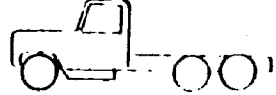
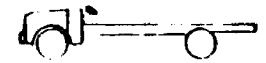
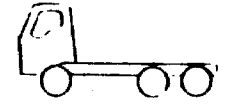
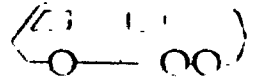
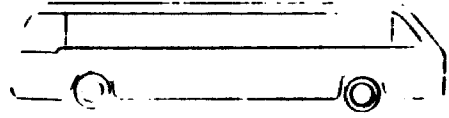
The Index is on page 22 thru 24 and is hyperlinked

SYMBOL (Production) - CP	SYMBOL (Inspection) - LP	DATE	SYM	REVISION	AUTH	DR	CR	DEPARTMENTS	ALL BOOKS		
▲		2/73		ORIGINAL RELEASE	-	PER			TITLE P. D. M. USAGE INSTRUCTIONS		
▲									NAME CONTENT		
▲									DIVISION/UPC		SHEET 3
▲											
▲											
▲											

GMT 922 1/75

STEP -2

SELECT THE PROPER BOOK NUMBER AS INDICATED ON THE CHART

BOOK NUMBER	MODEL	DESCRIPTION	
1	C 30	LIGHT DUTY CONVENTIONAL	
4	C M 50, 60, 65	MEDIUM DUTY CONVENTIONAL	
6	P 4500	PIE WAGON (CHASSIS)	
7	M J M 75-9500	HEAVY DUTY CONVENTIONAL	
10	D F 9502	ALUMINUM TILT (ASTRO)	
11	M N 9500	HEAVY DUTY (GENERAL)	
12	S 6000	SCHOOL BUS CHASSIS	
14	T 6000	STEEL TILT	
70	ZEO	MOTOR HOME & COMMERCIAL	
80	RTS	COACH	

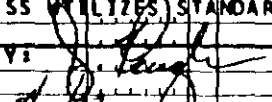
PYRAMID (Installation)-105 ▲ ▲ ▲ ▲	DATE 6-277	SYM	REVISION ORIGINAL RELEASE	AUTH	DR	CR	DEPARTMENTS	ALL BOOKS		
								TITLE P. D. M. USAGE INSTRUCTIONS		
								NAME CONTENT	DIVISION/LIFE	SHEET 4



PRODUCT DESCRIPTION MANUAL ASSEMBLY INFORMATION

GMT 1001 REV. B/78

GM TRUCK & COACH

ITEM	SEQ	PART OR TOOL DESCRIPTION	ADD'L DATA	QTY	PART NUMBER	ENGINE CODES	SERIES	DONOR	ITEM RESTRICTION	DEPARTMENTS		CHANGE		LOGIC CODE	FUNCTION CODE	ADDITIONAL CODES	TIME /HOURS
										ST	2/STA	CD	AUTH				
		MVSS STD. 104 CAT. 1 WINDSHIELD WIPING AND WASHING SYSTEM)															1.0
		DUE CARE MUST BE EXERCISED DURING THE INSTALLATION OF WINDSHIELD WIPER MECHANISM, WIPER ARM AND BLADE TO ELIMINATE THE POSSIBILITY OF MISALIGNMENT, BINDING OR MALFUNCTION.															1.11 1.12
		ALL WINDSHIELD WASHER AIR AND WASHER SOLVENT FITTINGS, CONNECTORS AND HOSES MUST BE CHECKED TO INSURE PROPER INSTALLATION AND SEAL WITH NO RESTRICTIONS TO THE FLOW OF AIR OR WASHER SOLVENT.															1.14 1.15
		WINDSHIELD WIPER ARMS MUST HAVE PROPER SWEEP POSITION AND WASHER NOZZLES MUST BE AIMED SO THAT THE SOLVENT SPRAY IS WITHIN THE PROPER WIPER PATTERN.															1.16 1.19
		WINDSHIELD WIPER ARM SHOULD BE 39-3/4 DEGREES UP FROM CENTER LINE OF WIPER MOTOR WHEN WIPER IS IN PARK (LAYOUT 3867 REF.1).															1.21 1.22
		CAUTION: DO NOT ATTEMPT TO MANUALLY MOVE WIPER ARMS TO MAKE WIPER BLADE SWEEP ADJUSTMENTS AS DAMAGE TO WIPER LINKAGE OR MOTOR MAY OCCUR. IF IT IS NECESSARY TO ADJUST THE SWEEP OF BLADES, REMOVE ARMS AND MAKE ADJUSTMENT BY REPOSITIONING ARMS USING SERRATIONS ON WIPER ARM PIVOT SHAFTS.															1.24 1.24 1.24 1.26
		PROCESS DOCUMENTATION: THIS PROCESS UTILIZES STANDARD TOOLS AND EQUIPMENT OF WHICH THE CAPABILITIES ARE WELL ESTABLISHED.															1.53 1.54
		APPROVED BY: 															1.56
		DATE: 4/11/78															1.58
		SYO 104 CAT. 1 W/S WIPER	1977 POM		2E05XXX												
										MODEL YEAR 1978							
										ORIGIN DATE							
										LAST CHG. DATE							
										LAST CHG. CODE							
										70 1 5 1							
										EK U. P. C. GMP PAGE							
P.M.V.B.B.		REFERENCE				MODEL APPLICATION BODY W/S WIPER UPC DESCRIPTION											



PRODUCT DESCRIPTION MANUAL

ASSEMBLY INFORMATION

GMT 1061 REV 5/78

GM TRUCK & COACH

ITEM	QTY	DESCRIPTION	ADDL DATA	QTY	PART NUMBER	ENGINE CODES	SERIES	REV	ITEM RESTRICTION	DEPARTMENTS #1	2/STA	CHANGE CD	AUTH	LOGIC CODE	FUNCTION CODE	ADDITIONAL CODES	LINE NOS
		MVSS STD. 107 CAT. 2 (REFLECTING SURFACES)															1.0
		DUE CARE WILL BE USED IN THE HANDLING AND INSTALLATION OF WINDSHIELD WIPER ARMS AND BLADES AS TO NOT ALTER THEIR GLOSS RESTRICTIVE SURFACE.															1.1 1.12
		1. STORE WIPER ARMS AND BLADES IN ORIGINAL SHIPPING CONTAINER WHENEVER POSSIBLE OR STORE ON AUTHORIZED RACKS.															1.14 1.15
		2. DO NOT REMOVE PROTECTIVE WRAPPING FROM WIPER ARMS AND BLADES UNTIL ASSEMBLY.															1.17 1.18
		3. ROTATION OF STOCK SHOULD BE PRACTICED TO AVOID ACCUMULATION OF OLD STOCK AND REDUCE EXPOSURE TO DAMAGE.															1.20 1.21
		PROCESS DOCUMENTATION: THIS PROCESS UTILIZES STANDARD TOOLS AND EQUIPMENT OF WHICH THE CAPABILITIES ARE WELL ESTABLISHED.															1.50 1.51
		APPROVED BY: <i>J. Lynch</i>															1.53
		DATE: <i>8/11/77</i>															1.55

1	STD 107	1977 PDM	7E05XXX	MODEL YEAR 1978
2	CAT. 2			ORIGIN DATE
3	REFLECTING			LAST CHG. DATE
4	SURFACES			LAST CHG. CODE
5			MODEL APPLICATION	70 1 S1 1
6			BODY (W/S WIPERS)	BK U. P. C. ORF PAGE
7			UPC DESCRIPTION	

F.M.V.S.S.

REFERENCE



PRODUCT DESCRIPTION MANUAL

ASSEMBLY INFORMATION

GMT 1061 REV. 8/78

GM TRUCK & COACH

ITEM	SEQ	P.M.	PART OR TOOL DESCRIPTION	ADD'L DATA	QTY	PART NUMBER	M.O.D.	ENGINE CODES	SERIES	BODY	ITEM RESTRICTION	DEPARTMENTS		CHANGE	LOGIC	FUNCTION	ADDITIONAL	FNA	LINE NOS	
												#1	2/STA	CD	AUTH	CODE	CODE			CODES
			MVSS STD. 206 CAT. 2 DOOR LOCKS																	1.0
			DUE CARE WILL BE USED IN THE HANDLING AND INSTALLATION OF DOOR LOCKS AND DOOR RETENTION COMPONENTS TO AVOID DAMAGE AND ASSURE CORRECT AND SECURE INSTALLATION:																	
			1. STORE DOOR LOCK ASSEMBLIES IN ORIGINAL SHIPPING CONTAINER TO AVOID DAMAGE.																	
			1. ROTATION OF STOCK SHOULD BE PRACTICED TO AVOID ACCUMULATION OF OLD STOCK AND REDUCE EXPOSURE TO DAMAGE.																	
			3. ALL LINKAGES & JOINTS MUST BE CHECKED FOR FREE MOVEMENT WITH OUT BINDING.																	
			4. WHEN THE LOCKING MECHANISM IS ENGAGED, BOTH THE OUTSIDE AND INSIDE DOOR HANDLES MUST BE INOPERATIVE.																	
			PROCESS DOCUMENTATION:																	
			THIS PROCESS UTILIZES STANDARD TOOLS AND EQUIPMENT OF WHICH THE CAPABILITIES ARE WELL ESTABLISHED.																	
			APPROVED BY: <i>[Signature]</i>																	
			DATE: 8/11/78																	

1	STD 206	1977 PDR	ZE65XXX	MODEL YEAR 1978
2	CAT. 2			ORIGIN DATE
3	DOOR LOCKS			LAST CHG. DATE
4				LAST CHG. CODE
5				70 1 S3 1
	F.M.V.S.B.	REFERENCE	MODEL APPLICATION BODY (DOOR LOCKS) UPC DESCRIPTION	BK V. P. C. SMP PAGE



PRODUCT DESCRIPTION MANUAL

ASSEMBLY INFORMATION

GMT 1081 REV. 8/78

GM TRUCK & COACH

ITEM	PART OR TOOL DESCRIPTION	ADD'L DATA	PART NUMBER	ENGINE CODES	SERIES	BOY DIA	ITEM RESTRICTION	DEPARTMENTS #1	2, STA	CHANGE CD	AUTH	LOGIC CODE	FUNCTION CODE	ADDITIONAL CODES	FINA	LINE NOS
	AVSS STD. 209 CAT. 1 SEAT BELT ASSEMBLIES															1.8
	DUE CARE MUST BE EXERCISED BY ALL PERSONNEL INVOLVED IN THE HANDLING AND INSTALLATION OF ALL SEAT BELT ASSEMBLIES.															
	1. SEAT BELTS ARE SUPPLIED IN SETS CONSISTING OF THE TWO HALVES OF A BELT ASSEMBLY. SHOULD REPLACEMENT BE NECESSARY FOR ANY REASON, THEY MUST BE REPLACED IN SETS ONLY. REPLACED BELTS MUST BE IDENTIFIED AND RETAINED FOR SALVAGE DEPARTMENT DISPOSITION.															
	NOTE: SEAT BELTS ARE SALVAGED AND MADE AVAILABLE FOR REUSE ONLY BY THE SUPPLIER AFTER RETESTING AND RECERTIFICATION.															
	2. OPEN SEAT BELT CARTON BY RELEASING THE TOP FLAPS. DO NOT USE A KNIFE, RAZOR BLADE OR ANY OTHER SHARP INSTRUMENT TO CUT OPEN CARTONS TO PREVENT ANY DAMAGE TO BELTS.															
	3. DUE CARE MUST BE EXERCISED BEFORE AND AFTER ASSEMBLY TO ASSURE THAT BELTS ARE NOT SOILED OR DAMAGED.															
	4. ATTACHING HARDWARE WILL HAVE BEEN MANUFACTURED WITH DUE CARE BY OUR SUPPLIERS; HOWEVER, THE CONTINUATION OF DUE CARE MUST BE EXERCISED BY OUR PERSONNEL DURING HANDLING AND INSTALLATION.															
	5. BELT ANCHOR BOLTS USING LOCKING THREADS MUST BE SCRAPED IF REMOVED AND NEVER REUSED. DAMAGED OR CROSS-THREADED BOLTS MUST NOT BE USED.															
	6. BELT ANCHOR BOLTS MUST BE INSTALLED WITH TORQUE WRENCH OR AN AIR MOTOR OF CORRECT TORQUE RANGE TO PRODUCE THE REQUIRED TORQUE.															
	7. BOLTS AND ATTACHING HARDWARE MUST ALWAYS BE THE SAME PART NUMBER AS CALLED OUT IN THE ENGINEERING BILL OF MATERIAL. UNAUTHORIZED SUBSTITUTIONS ARE NEVER PERMITTED.															
	PROCESS DOCUMENTATION: THIS PROCESS UTILIZES STANDARD TOOLS AND EQUIPMENT OF WHICH THE CAPABILITIES ARE WELL ESTABLISHED.															
	APPROVED BY: <i>[Signature]</i>															
	DATE: 10/28/77															

STD 209
CAT. 1
SEAT BELTS

1977-PDM

ZE05XXX

MODEL APPLICATION
BODY (SEAT BELTS)

MODEL YEAR IS 78
ORIGIN DATE 10-10-77

REV ORG DATE
REV ORG DATE
70 1 S6 1

PRODUCT DESCRIPTION MANUAL

ASSEMBLY INFORMATION

GMT 1061 REV 5/75

GM TRUCK & COACH

ITEM NO.	PART OR TOOL DESCRIPTION	ADD'L DATA	QTY	PART NUMBER	ENGINE CODES	SERIES	REV BRN	ITEM RESTRICTION	DEPARTMENTS		CHANGE CD	AUTH	LOGIC CODE	FUNCTION CODE	ADDITIONAL CODES	FNA	LINE NOS
									#1	2/51A							
	MVSS STD. 111 CAT. 2							(INSIDE REAR VIEW MIRROR)									1.8
	DUE CARE MUST BE EXERCISED IN THE HANDLING AND INSTALLATION OF THE INSIDE REAR VIEW MIRROR																
	ASSEMBLY AND ATTACHING HARDWARE.																
	MIRROR ASSEMBLY SHOULD BE STORED IN THE ORIGINAL PROTECTIVE SHIPPING CONTAINERS WITH PAPER SEPARATORS IN PLACE UNTIL MIRROR IS TO BE USED TO AVOID CRACKS, CHIPS AND SCRATCHES.																
	STOCK SHOULD BE ROTATED REGULARLY TO AVOID AGING AND DAMAGE.																
	DAMAGED MIRRORS SHOULD NEVER BE USED. IF MIRROR BECOMES DAMAGED AFTER INSTALLATION, IT MUST BE REPLACED BEFORE VEHICLE IS SHIPPED.																
	PROCESS DOCUMENTATION:																
	THIS PROCESS UTILIZES STANDARD TOOLS AND EQUIPMENT FOR WHICH THE CAPABILITIES ARE WELL ESTABLISHED.																
	APPROVED BY: <i>[Signature]</i>																
	DATE: <i>8/11/75</i>																
	SYD 111 CAT. 2 INSIDE MIRROR																
	1977 PDH																
	ZE05XXX																
	MODEL YEAR 1978																
	ORIGIN DATE																
	LAST CHG. DATE																
	LAST CHG. CODE																
	70 1 S7 1																
	BK U. P. C. 897 PAGE																
	MODEL APPLICATION BODY (INSIDE REAR VIEW MIRROR)																
	UPC DESCRIPTION																
	REFERENCE																

ITEM	PART OR TOOL DESCRIPTION	ADD'L DATA	QTY	PART NUMBER	ENGINE CODES	SERIES	BOV BRK	ITEM RESTRICTION	DEPARTMENTS		CHANGE		LOGIC CODE	FUNCTION CODE	ADDITIONAL CODES	LINE NOS
									ST	2/STA	CD	AUTH				
	MVSS STD. III CAT. 2 (OUTSIDE REAR VIEW MIRROR)															1.8
	DUE CARE MUST BE EXERCISED IN THE HANDLING AND INSTALLATION OF THE OUTSIDE REAR VIEW MIRROR ASSEMBLIES AND ATTACHING HARDWARE.															
	MIRROR ASSEMBLY SHOULD BE STORED IN THE ORIGINAL PROTECTIVE SHIPPING CONTAINERS WITH PAPER SEPARATORS IN PLACE UNTIL MIRROR IS TO BE USED TO AVOID CRACKS, CHIPS AND SCRATCHES. STOCK SHOULD BE ROTATED REGULARLY TO AVOID AGING AND DAMAGE.															
	DAMAGED MIRRORS SHOULD NEVER BE USED. IF MIRRORS BECOME DAMAGED AFTER INSTALLATION ON VEHICLE, THEY MUST BE REPLACED BEFORE VEHICLE IS SHIPPED.															
	PROCESS DOCUMENTATION: THIS PROCESS UTILIZES STANDARD TOOLS AND EQUIPMENT FOR WHICH THE CAPABILITIES ARE WELL ESTABLISHED.															
	APPROVED BY: <i>[Signature]</i>															
	DATE: <i>[Signature]</i>															

1 2 3 4 5 F.M.V.B.	SYD III	1977 PDH	ZEO5XXX	MODEL YEAR 1978
	CAT. 2			ORIGIN DATE
	OUTSIDE MIRROR			LAST CHG DATE
				LAST CHG CODE
				70 1 SB 1
	REFERENCE		MODEL APPLICATION	DR. U. P. C. ORP PAGE
			BODY (OUTSIDE MIRROR)	
			UPC DESCRIPTION	

PRODUCT DESCRIPTION MANUAL ASSEMBLY INFORMATION

PART OR TOOL DESCRIPTION	ADD'L DATA	QTY	PART NUMBER	ENGINE CODES	SERIES	BODY	ITEM RESTRICTION	DEPARTMENTS		CHANGE		LOGIC CODE	FUNCTION CODE	AD CODES	PNA	LINE NOS.
								01	2/8TA	CD	AUTH					
STD. 210 CAT. 2 SEAT BELT ASSEMBLY ANCHORAGE																1.00
DUE CARE SHALL BE EXERCISED IN THE HANDLING AND INSTALLATION OF SEAT BELT ANCHORAGE COMPONENTS TO PREVENT DAMAGE AND TO ASSURE CORRECT AND SECURE INSTALLATION.																
SEAT BELT ANCHORAGE COMPONENTS ARE TO BE ASSEMBLED TO VEHICLE AS SPECIFIED BY ENGINEERING.																
PROCESS DOCUMENTATION:																
THIS PROCESS UTILIZES STANDARD TOOLS AND EQUIPMENT OF WHICH THE CAPABILITIES ARE WELL ESTABLISHED.																
APPROVED BY: <i>[Signature]</i>																
DATE: <i>9/27/77</i>																

STD. 210 CAT. 2 SEAT BELT ANCHORAGE	1977 PROD.	ZEO5XXX	MODEL YEAR 1978 ORIGIN DATE 9-2-77 LAST CHG. DATE LAST CHG. CODE
REV. 00	DISCREPANCY	MODEL APPLICATION SEAT BELT ANCHORAGE VPC DESCRIPTION	70 1 80 1 OK U. P. S. REP PAGE

GMT 922 1-73

MOTOR HOME

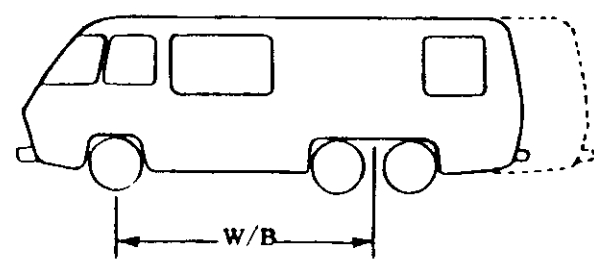
0|0|0|00|00

Body Style
Z = Motor Home

Body & Brake Style
81 - Motor Home
83 - Hydraulic - Commercial

Engine
E = V 8 Gasoline

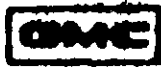
Series



Wheelbase 60 = 23 Foot
 65 = 26 Foot

DYNAMIC (Installation) - EFS	PLANT (Inspection) - EFS	DATE	SYM	REVISION	AUTH	DR	EX	DEPARTMENTS	TITLE
		7-19-73		ORIGINAL RELEASE	17000	FL	12	R THOMPSON	'78 TRUCK BOOK 70
									MODEL DESIGNATION DESCRIPTION
									INFO. 0 1





GMT 922 1/75

UPC 1 - BODY

- 1A2D Windshield Wiper & Washer
- 1A2E Miscellaneous
- 1A2F Exterior Body Ornamentation
- 1A2G Air Cond. Comp. Drive & Mounting
- 1A2H Heater & Air Cond., Air System
- 1A2J Heater & Air Cond., Controls
- 1A2K Air Cond. Refrigerant System
- 1A2L Heater Water System
- 1C1 Underbody
- 1C2A Body Front Frame
- 1C2B Instrument Panel
- 1C2D Windshield Section
- 1C3 Roof
- 1C4 Body Side, RR End, Quarter & Deck
- 1C5A Frt. Door & Door Frame
- 1C5B Frt. Door Operating Mechanism
- 1C7A Driver's Seat
- 1C7B Auxiliary Seats
- 1C11 Body Mounting
- 1K1 Furniture
- 1K3 Electrical Convenience Items
- 1K4 Heating & Roof Mounted Air Conditioning
- 1K5 Drapery & Carpeting
- 1K6 Interior Finish & Fit (Ceiling & Walls)
- 1K7 Plumbing

- 1K8 Galley & Appliances
- 1K9 Cabinets
- 1K9A Holding Tank

UPC 2 - FRAME

- 3B Frame

UPC 3 - FRONT SUSPENSION

- 3A Frt. Susp. Less Hubs, Springs, Shock Abs. & Stabilizer
- 3A1 Frt. Drive Conventional Frt. Susp. Knuckle
- 3A2 Frt. Drive Final Drive, Differential & Axle Shafts
- 3B Frt. Wheel Bearings & Seals
- 3E Front Spring Installation
- 3F Front Shock Absorbers
- 3G Front Stabilizer

UPC 4 - REAR AXLE & REAR SUSPENSION

- 4A5 Rear Wheel Bearings & Seals
- 4B Rear Springs
- 4D Rear Spring Installation
- 4E Rear Shock Absorbers
- 4K1 Rear Air Susp. Valves & Controls

Click on an item to go to the section

PLANT (Invention) - US	DATE	SYN	REVISION	APPR	BY	DATE	TRUCK	BOOK
▲ ▲ ▲ ▲	7-12-77		ORIGINAL RELEASE				7	70
							UPC INDEX 1A2D THRU 4K1	
							INFO.	2

GMT 922 8/74

UPC 5 - BRAKES

- 5E Rear Brakes, Hubs & Drums
- 5C Service Brake Pedal
- 5D Parking Brake Mechanism
- 5E Hydraulic Master Cylinder
- 5F Brake Lines
- 5G Power Brake Mechanism

UPC 6 - ENGINE

- 6 Engine
- 6B Eng. Identification Labels & Decals
- 6G2 Oil Filler
- 6G4 Oil Level Indicator
- 6G5 Oil Filter
- 6G7 Engine Oil
- 6H Engine Ventilating System
- 6K1 Fan & Drive
- 6K2 Water Pump & Drive
- 6K5 Eng. Coolant & Additives

- 6M1 Carburetor
- 6M3 Air Cleaner & Silencer
- 6M4 Fuel Pump & Vacuum Pump
- 6N2 Throttle Cont. For Accel. Pedal Operation
- 6N4 Speed Control & Speed Control Governor
- 6Q Engine Mounting

- 6T Air Compressor & Air Injection Reactor
- 6Y1 Generator, Voltage Regulator & Other Patt. Chg. Equip.
- 6Y2 Starting Devices
- 6Y3 Distributor
- 6Y4 Spark Plugs, Ign Coil & Wires, Ign Sw. & Grd. Strap

UPC 7 - TRANSMISSION, CLUTCH & CONTROLS

- 7 Transmission
- 7A Trans. External Controls

- 7B6 Trans. Oil Cooling System

UPC 8 - FUEL TANK & EXHAUST SYSTEM

- 8A Fuel Tank, Mountings & Tank Cage Unit
- 8B Fuel Lines
- 8C Exhaust Pipe, Muffler & Tail Pipe
- 8D Evaporative Emission Control System

UPC 9 - STEERING MECHANISM

- 9A Steering Gear & Column
- 9B Steering Wheel
- 9C Steering Column Support
- 9D Steering Linkage & Pitman Arm
- 9E Power Steering

Click on an item to go to the section

SYMBOL (Inspection) - LPS	DATE	SYMBOL	REVISION	DATE	BY	CC	DEPARTMENT	TRUCK	BOOK
	7-19-77		ORIGINAL RELEASE				R THOMPSON		

UPC INDEX
5B THRU 9E

INFO. PART 3



GMT 922 874

UPC 10 - WHEELS AND TIRES

- 10B Wheels & Tires
- 10E Spare Wheel Mounting

UPC 11 - CHASSIS SHEET METAL

- 11G Chassis Sheet Metal Ornamentation

UPC 12 - CHASSIS ELECTRICAL SYS., INSTRUMENTS & INST. PANEL

- 12A Battery & Leads
- 12B Battery Box & Supports
- 12C Front Lamps & Turn Signals
- 12E Rear Lamps
- 12G Horn, Switch & Mounting
- 12H Fuses, Bulbs & Chassis Wiring
- 12J Instrument Panel & Instruments
- 12K Chassis Electrical Items
- 12L Electrical Convenience Items

UPC 13 - RADIATOR & GRILLE

- 13A Radiator Asm
- 13B Radiator Mounting
- 13C Radiator Grille & Deflectors
- 13E Radiator Shroud
- 13G Surge Tank

UPC 14 - BUMPERS & MISC. FINAL ASM. ITEMS

- 14A1 Front Bumper
- 14A2 Rear Bumper
- 14B Misc. Lubricants, Sealers & Gasoline
- 14C License Carriers
- 14E Tool Compartment & Kit
- 14F Identification & Compliance Plates
- 14G Shipping or Asm, Protective Items
- 14W Final Asm. Painting

Click on an item to go to the section

SYMBOL (Inventor) - LPS		NAME (Inspector) - LPS		DATE	SYN	REVISION	AUTH	OR	CR	DEPARTMENT	TRUCK	BOOK	
				7-19-57		ORIGINAL RELEASE	11000			R. THOMPSON			

INFO.	DEVISION/UPC	SHEET

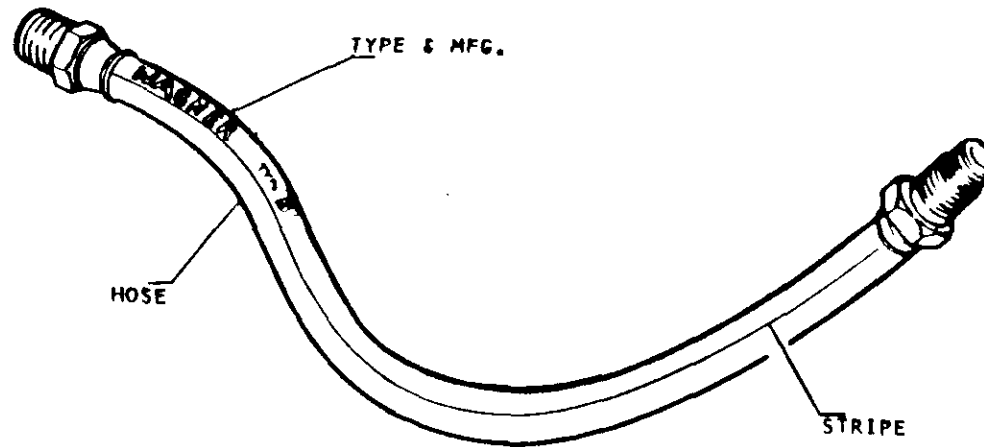
GMT 922 8/74

<u>RPO</u>	<u>DESCRIPTION</u>	<u>UPC GROUPS</u>
ANW	Toilet - Chemical Recirculating	1K3, 1K7
AN4	Seat - Driver & Passenger Flexsteel	1C7A, 1C7B
APC	Window - Side Door Sliding Screened	1C4
APD	Window - Galley Area, Sliding Screened	1C4
APN	Chairs - Delux, Flex Steel Swivel	1C1, 1K1, 1K3, 1K4, 1K5, 1K6
APP	Davo - R.H. Front	1C1, 1K1, 1K6
APQ	Window - Side Sash & Glass 23 Ft. Comm.	1C4
APR	Window - Side Sash & Glass 26 Ft. Comm.	1C4
BRQ	Insulation - Floor Pan	1C1
CNL	Air Conditioning - Roof Mounted	1K3, 1K4, 1K6
CNQ	Ventilator - Roof Front, Power	1K4
CNU	Ventilator - Roof Front & Rear, Power	1K4
CNV	Air Conditioning - Twin Roof Mounted	1C3, 1K3, 1K4, 1K6

SYMBOL (Incorporation) - LBS	QDDB (Incorporation) - LBS	DATE	SYM	REVISION	AUTH	BY	CHK	DEPARTMENTS	TRUCK	BOOK
		7-4-77		ORIGINAL RELEASE	ASPORT			R THOMPSON	78	70
									TITLE RPO INDEX ANW THRU CNV	
									INFO.	5

GMT 922 1-73

NOTE IDENTIFICATION (TYPE & MFG) MUST BE FREE OF PAINT TO PERMIT IDENTIFICATION BY LAW ENFORCING AGENCIES.



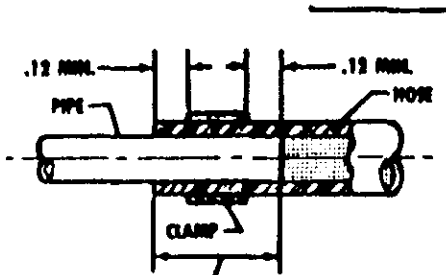
CAUTION HOSE ASSEMBLY MUST BE INSTALLED AS SHOWN. HOSE MUST NOT BE TWISTED IN INSTALLATION. STRIPE MUST LAY ON ONE PLANE.

DYNAMIC (Installation)-LBS	HAZ (Inspection)-LBS	DATE	SYM	REVISION	AUTH	DN	EN	DEPARTMENTS	778 TRUCK	BOOK 70
		7-29-77		ORIGINAL RELEASE	AR200			R. THOMPSON	TITLE	
									HOSE IDENTIFICATION	
									INFORMATION	
									ISSUED/UPC	
									1	9

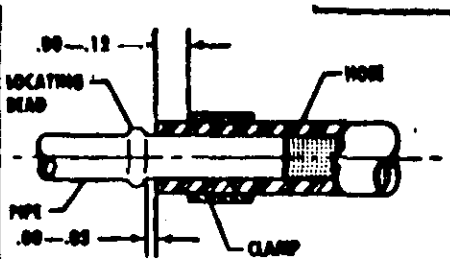


□ ITEM REFERENCE ◇ PROCESS MATERIAL △ TOOL ▣ PART OF OR EXISTING

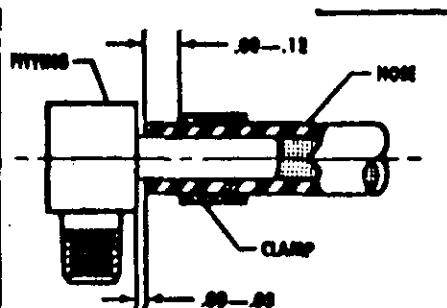
GMT 922 1-73



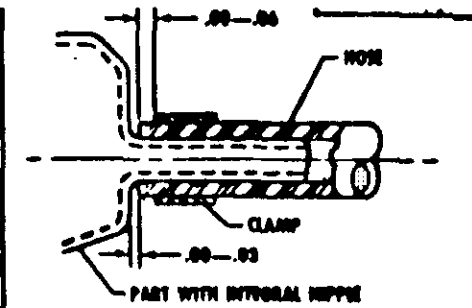
PIPE WITH NO BEADS



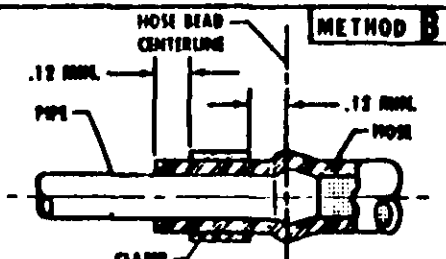
STRAIGHT PIPE WITH LOCATING BEAD



FITTING WITHOUT BEAD

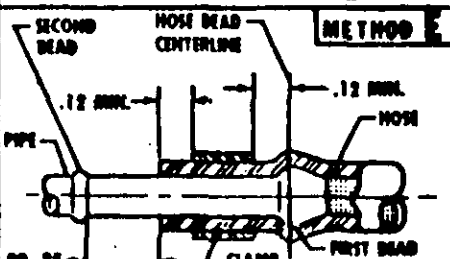


INTEGRAL PART SHORT NIPPLE WITHOUT BEAD



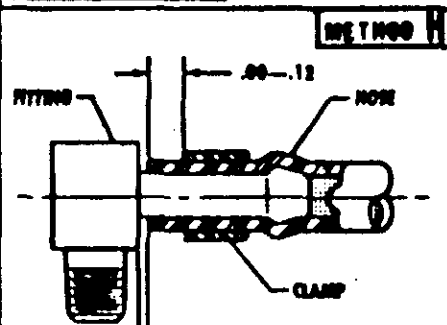
SINGLE BEAD PIPE SAE STYLE "A"

INSTALL HOSE ON PIPE WITH A MIN. OF .12 HOSE PROTRUDING BEYOND CLAMP. APPLIES TO ALL SIZES OF PIPES, HOSES & CLAMPS.

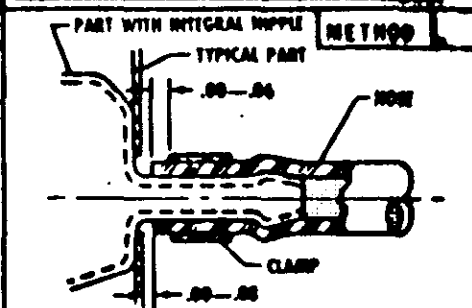


DOUBLE BEAD PIPE SAE STYLE "A"

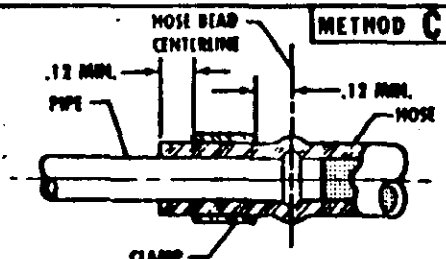
INSTALL HOSE ON PIPE WITH A MIN. OF .12 HOSE PROTRUDING BEYOND CLAMP OR .12 MIN. FROM ϕ OF FIRST BEAD.



FITTING WITH BEAD

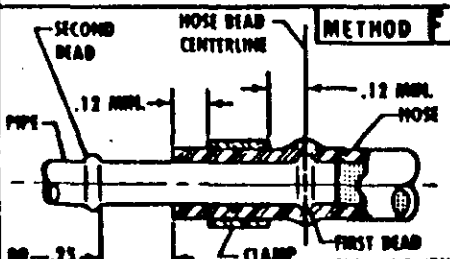


INTEGRAL SHORT NIPPLE WITH BEAD THRU A PART



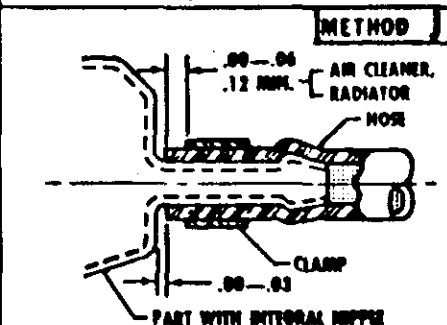
SINGLE BEAD PIPE SAE STYLE "B"

INSTALL HOSE ON PIPE WITH A MIN. OF .12 HOSE PROTRUDING BEYOND CLAMP. APPLIES TO ALL SIZES OF PIPES, HOSES & CLAMPS.



DOUBLE BEAD PIPE SAE STYLE "B"

INSTALL HOSE ON PIPE WITH A MIN. OF .12 HOSE PROTRUDING BEYOND CLAMP OR .12 MIN. FROM ϕ OF FIRST BEAD.



INTEGRAL PART SHORT NIPPLE WITH BEAD

FORM (Revision) - (L)	REVISION (Revision) - (L)	DATE	SYN	REVISION	MTN	DR	CE	DEPARTMENT
△		7-18-73		ORIGINAL RELEASE	47300 RT			R. THOMPSON
△								
△								
△								
△								

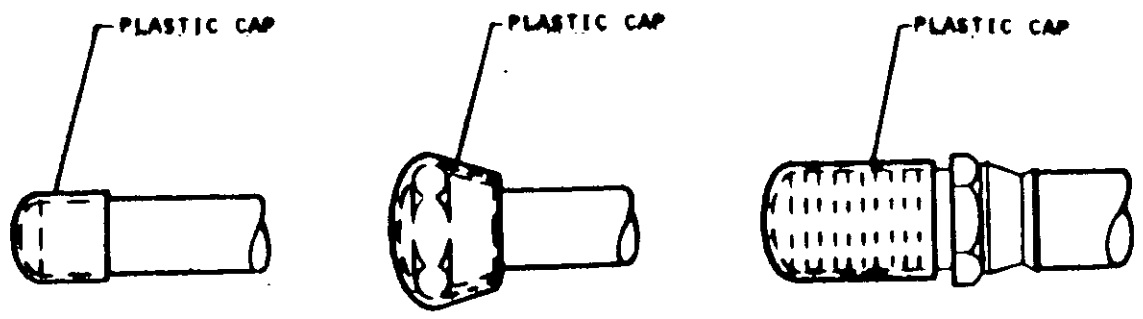
78 TRUCK **BOOK 70**

TITLE
HOSE CLAMPING


INFORMATION **10**


GMT 922 1-73

 **PLASTIC CAP INSTALLATION FOR TUBES, TUBE ASSEMBLY AND HOSE ASSEMBLY, (PUSH CAP ON UNTIL IT SEATS SECURELY)**

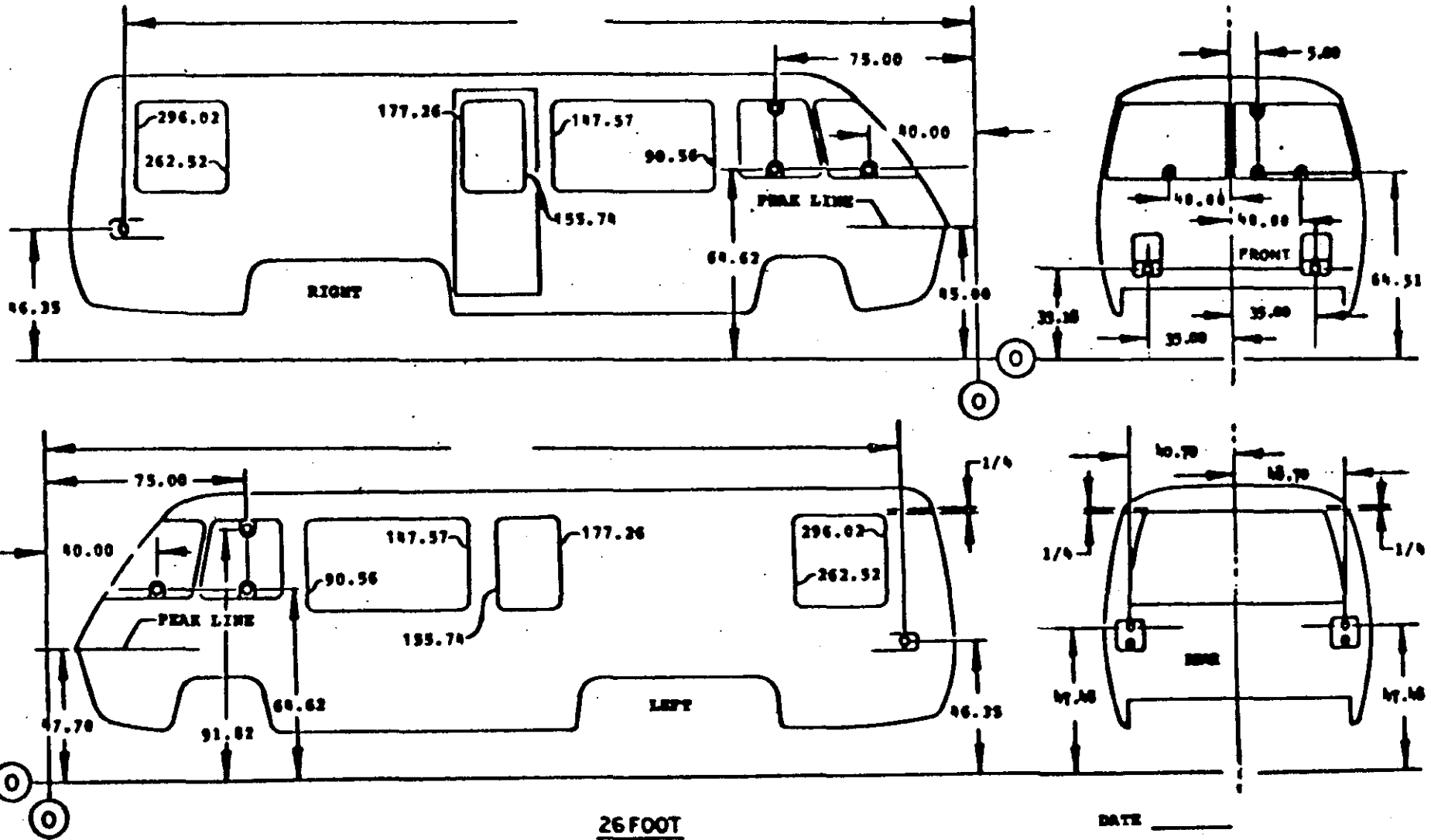


CAUTION PARTS MUST NOT HAVE CAP REMOVED UNTIL JUST PRIOR TO CONNECTION ON VEHICLE. WHEN ONLY ONE CONNECTION IS MADE ON VEHICLE LOOSE END OF PART MUST RETAIN CAP UNTIL IT IS CONNECTED.

SYMBOL (Installation) - LHS	SYMBOL (Inspection) - RHS	DATE	SYM	REVISION	APPR	DR	CR	REVISIONS	TRUCK	BOOK
		1-19-73		ORIGINAL RELEASE	ARNDT	JL		R. THOMPSON	TRUCK	BOOK 70

PIPE THREAD & TUBE PROTECTION
 INFORMATION  11

GMT 922 1-73



DATE _____

DYNAMIC (Installation)-LPS	MANUAL (Inspection)-LPS	DATE	SYM	REVISION	AUTH	DR	CE	DEPARTMENT	TRUCK	BOOK
	▲	7-9-73		ORIGINAL RELEASE	ALBERT			R. THOMPSON	78	70
	▲									
	▲									
	▲									
	▲									
	▲									
	▲									
	▲									
	▲									
	▲									

TITLE
CHECKING FIXTURE DRAWING
ZE06581/ ZE06583

INFORMATION ① 10

ITEM #	PART OR TOOL DESCRIPTION	APPL DATA	QTY	PART NUMBER	ENGINE CODES	MOTOR	ITEM DESCRIPTION	DEPARTMENT		LOGIC CODE	FUNCTION CODE	ADDITIONAL CODES	LIFE NO.
								#1	#2				
0010AA	AIR CONDITIONING			**NOTE**				0702	0	3627001010	B C		1.8
0011AA	E WIRING			**NOTE**				0702	0	3627001011	B C		1.10
0012AA	OMITTED			**NOTE**				0702	0	3627001012	B C		1.12
0013AA	AIR CONDITIONING			**NOTE**				0752	0	3627001010	J M		1.14
0014AA	E WIRING			**NOTE**				0752	0	3627001011	J M		1.14
0015AA	OMITTED			**NOTE**				0752	0	3627001012	J M		1.18
0016AA	AIR CONDITIONING			**NOTE**				0782	0	3627001010	P Q		1.20
0017AA	E WIRING			**NOTE**				0782	0	3627001011	P Q		1.22
0018AA	OMITTED			**NOTE**				0782	0	3627001012	P Q		1.24
0030AA	AUX MOTOR			**NOTE**				0702	0	3599001020	A C		1.27
0031AA	GENRTR OMITTED			**NOTE**				0702	0	3599001021	B C		1.29
0032AA	AUX MOTOR			**NOTE**				0752	0	3599001020	J M		1.31
0033AA	GENRTR OMITTED			**NOTE**				0752	0	3599001021	J M		1.33
0034AA	AUX MOTOR			**NOTE**				0782	0	3599001020	P Q		1.35
0035AA	GENRTR OMITTED			**NOTE**				0782	0	3599001021	P Q		1.37
0040AA	REAR WHEEL			**NOTE**				0754	0	6562001030	C		1.39
0041AA	SKIRT OMITTED			**NOTE**				0754	0	6562001031	C		1.41

ALL

MODEL APPLICATION
NOTES & INSTRUCTIONS
UPC DESCRIPTION

MODEL YEAR 1978
ORIGIN DATE 770801
LAST CHG DATE 771020
LAST CHG CODE

70 0 A 1
BK U P C DWP PAGE

GMT 922 8/74

UPC 1C4 BODY SIDE REAR END & QTR. DECK

<u>Sht. #:</u>	<u>Title:</u>	<u>Restrictions:</u>
1	Framing & Welding R.H. -----	ZEO6083
2	Panels to Frame Asm. R.H. -----	ZEO6083
3	Framing & Welding L.H. -----	ZEO6083
4	Panel to Frame Asm. L.H. -----	ZEO6083
5	Framing & Welding R.H. -----	ZEO6581.83
6	Panel to Frame Asm. R.H. -----	ZEO6581.83
7	Framing & Welding L.H. -----	ZEO6581.83
8	Panel to Frame Asm. L.H. -----	ZEO6581.83
9	Welding Sections	
10	Welding Sections	
11	Welding Sections	
12	Welding Sections	
13	Welding Sections	
14	Welding Sections	
15	Water & Elect. Access Dr. Supt. Sub-Asm.	
16	Door Jam Sub-Asm.	
17	Water & Electric Access Door -----	ZEO6581.83
18	Side Access Door -----	ZEO6083
19	Side Access Door -----	ZEO6581.83

(AUDIT)
1C4 - 19

DYNAMIC (Installation) - LBS	HAZARD (Inspection) - LBS	DATE	SYM	REVISION	AUTH	DR	CR	DEPARTMENTS	'78 TRUCK BOOK 70		
		7/8/77		ORIGINAL REVISION	YKEX	2	AR		TITLE INDEX		
									NAME	DIVISION/UPC	SHEET
									BODY	1	D



GMT 922 1/75

UPC 1C5A FRONT DOOR & DOOR FRAME

Shc. : Title: Restrictions:
1 Door Sealer

UPC 1C5B FRONT DOOR OPER. MECH.

- 1 Door Lock
- 2 Door Lock
- 3 Hinge & Striker Plate
- 4 Door Strap

UPC 1C7A DRIVER SEAT

- 1 Driver Seat

UPC 1C7B AUXILARY SEAT

- 1 Passenger Seat

UPC 1C11 BODY MOUNTING

- 1 Insulator
- 2 Mounting Bracket

(AUDIT)

- 1C5A - 1
- 1C5B - 3
- 1C7A - 1
- 1C7B - 1
- 1C11 - 2

BY NAME (Installation) - LBS	NAME (Inspection) - LBS	DATE	SYM	REVISION	AUTH	DR	TR	DEPARTMENTS	78 TRUCK	BOOK 70
		7/7/77		SKIN PANEL RELEASE	6/2/77				TITLE	
									INDEX	
									NAME	DIVISION/UPC
									BODY	1
										SHEET
										F



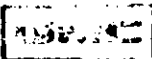
GMT 922 175

UPC IK1 - FURNITURE ZEO 6581

Shc.	Title	Restrictions:
1	Rear Trim Panels & Cushions Installation	
2	Dining Table-----	W ENK
3	Side Facing Settee LH	
4	Dayo. Bunk LH	
5	Dayo. Bunk LH	
6	Dayo Bunk RH-----	W APP
7	Dayo Bunk LH-----	W APP
8	Label Location	
9	Dnette	
10	Dnette Seat, Seat Belt	
11	Dnette Trim Panel	
12	Swivel Chairs-----	W APN
13	Captains Table-----	W APN
14	Seating Label for Swivel Chairs-----	W APN
15	Director's Table-----	W ENF

AUDIT
IK1 - 15

DYNAMIC (Installation) <input type="checkbox"/>		HAND (Inspection) <input type="checkbox"/>		DATE	SYM	REVISION	AUTH	DR	EN	DEPARTMENTS	'78 TRUCK	BOOK 70	
<input type="checkbox"/> <input type="checkbox"/> <input type="checkbox"/> <input type="checkbox"/> <input type="checkbox"/>											TITLE		
		INDEX											
		NAME		DIVISION/UPC		SHEET							
		BODY		1		6							



GMT 922 1/75

UPC 1K3 - ELECTRICAL CONV. ITEMS ZEO6581 (Cont'd)

Shit	Title	Restrictions:
46	Harn. Asm. - Hall Ceiling Receptacle	
47	Receptacle-110V	
48	Receptacle-110V	
49	Harn. Asm. RR. 110V	
50	Harn. Asm. RH Ctr. Upr. 110V	
51	Junction Box-Water Htr. 110V	
52	Label Location - Interior	
53	Label Location - Exterior	
54	Circuit Breaker Panel 110V	
55	Wiring Instructions - Water Htr. - 110V	
56	Lamp Asm. - Cabinet	
57	Clips LH Rear Lwr. 110V	
58	Harn. Asm. - Motor Gen. Cmpl.-----	W KNC
59	Wiring - M.G. Set - 12V & 110V-----	W KNC
60	Wiring - M.G. Set - 12V & 110V-----	W KNC
61	Outside Receptacle - 110V-----	W 097
62	Generator Fuel Hose-----	W KNC

UPC 1K3 - ELECTRICAL CONV. ITEMS (Cont'd)

Shit	Title	Restrictions:
63	Motor Generator Asm. & Label Location ---	ZEO6583 W KNC
64	Motor Generator Mounting-----	ZEO6583 W KNC
65	Battery Wiring & Tray Asm. -----	ZEO6583 W KNC
66	Hour Meter & Wiring-----	ZEO6583 W KNC
67	Motor Generator Wiring-----	ZEO6583 W KNC
68	Motor Generator Fuel Hose-----	ZEO6583 W KNC

AUDIT
1K3-68

DATE	SYM	DIVISION	AUTH	DR	CR	DEPARTMENTS	178 TRUCK	BOOK 70
1/19/75							TITLE	
							INDEX	
							NAME	
							BODY	
							DIVISION/UPC	1
							SHEET	J



GMT 922 1 75

UPC 1K3 ELECTRICAL CONV. ITEMS ZEO6581


Slit.	Title	Restrictions:
1	Harn. Asm. LH Frt. Upr. 12V	
2	Harn. Asm. LH Frt. Lwr. 12V	
3	Harn. Asm. LH Ctr. Upr. 12V	
4	Harn. Asm. LH Ctr. Lwr. 12V	
5	Harn. Asm. LH RR Upr. 12V	
6	Harn. Asm. LH RR Lwr. 12V	
7	M.G. Batt. Enclosure-----	W KNC
8	Harn. Asm. M.G. Compt. RR 12V	
9	Harn. Asm. Thermostat 12V	
10	Harn. Asm. Stove 12V	
11	Harn. Asm. RR Floor Lamp 12 V	
12	Harn. Asm. Roof Ctr. 12V	
13	Harn. Asm. RH Frt. Upr.	
14	Harn. Asm. RH Ctr. Upr. 12V	
15	Harn. Asm. RH Ctr. 12V	
16	Harn. Asm. RH RR Upr. 12V	
17	Harn. Asm. RH RR Lwr. 12V	
18	Harn. Asm. Water Pump Break Out 12V	
19	Harn. Asm. Water Tank Sender 12V	
20	Harn. Asm. Switch Panel 12V	
21	Harn. Asm. Monitor Pnl. 12V	
22	Harn. Asm. Refrigerator Module 12V	
23	Harn. Asm. Refrigerator Module 12V	
24	Harn. Asm. Courtesy Lamp Switch 12V	

UPC 1K3 (Cont'd)

Slit.	Title	Restrictions:
25	Harn. Asm. - Refrigerator 12V & 110 V	
26	Harn. Asm. L. P. G. Compartment 12V	
27	Harn. Asm. - Front A C (Prewire)	
28	Harn. Asm. A C (Prewire)	
29	Harn. Asm. - Rear A C -----	W CNV UNR
30	Wiring Instructions - A C -----	W CNL CNV
31	Lamp Asm. - Hall & LH Overhead	
32	Lamp Asm. - Bath	
33	Lamp Asm. - Reading	
34	Lamp Asm. - Floor	
35	Under Cabinet Lamp	
36	Converter Asm.	
37	Harn. Asm. - LH Front	110V
38	Harn. Asm. - RH Front	110V
39	Harn. Asm. - LH Central	110V
40	Harn. Asm. - LH Ctr. Lwr.	110V
41	Harn. Asm. LH RR Upr.	110V
42	Harn. Asm. LH RR Lwr.	110V
43	Cord Box Asm.	
44	Receptacle - Pwr. Cord Storage Box	110V
45	Stove Vent Asm.	

(UPC 1K3 ZEO 6581 Cont'd on Sheet 30)

AUDIT
1K3 - 62

DYNABIT Installation (10)	HAND Inspection (15)	DATE	SYM	REVISION	AUTH	DR	CR	DEPARTMENTS	'78 TRUCK	BOOK 70	
		7/11/77		ORIGINAL RELEASE	77				INDEX		
								NAME	DIVISION/UPC	WELL	
								BODY	1	H	



GMT 922 1 75

UPC 1K6 - FINISH & FITTINGS


Sht.	Title	Restrictions:
1	Interior Trim Panel Lower-----	ZEO6581
2	Interior Trim Panels (RH Side)-----	ZEO6581
3	Interior Trim Panels (LH Side)-----	ZEO6581
4	Headlining-----	ZEO6581

UPC 1K7 PLUMBING ZEO6581

1	Sanitary Plumbing - Bath Module
2	Sanitary Plumbing - Galley Module
3	Fresh Water Plumbing - Bath Module
4	Fresh Water Plumbing - Bath Module ---- W ANW
5	Fresh Water Plumbing - Tubes to Water Heater
6	Fresh Water Plumbing - Shower Head Asm.
7	Fresh Water Plumbing - Storage Tank
8	Fresh Water Plumbing - Storage Tank Filler Asm.
9	Fresh Water Plumbing - Pump & Filter Asm.

UPC 1K7 PLUMBING (Cont'd)

Sht.	Title	Restrictions:
10	Water Purifier Asm. (Galley Module)-----	W VNT
11	Fresh Water Plumbing- Pipes to Roof Bow Clips	
12	Fresh Water Plumbing - Galley Module	
13	L. P. G. Tube Routing	
14	L. P. G. Tube & Tank Asm.	
15	L. P. G. Tube Clipping	
16	L. P. G. Tube Routing	
17	Fresh Water Tank Compartment	

DYNAMIC Installer	INS	MAND (Inspection)	105	DATE	SYM	REVISION	AUTH	DR	IN	DEPARTMENTS	'78 TRUCK	BOOK 70				
											TITLE		INDEX			
											NAME	BODY	DIVISION/UPC	1	SHEET	L



ITEM REFERENCE
 PROCESS MATERIAL
 TORQUE
 PART OF OR EXISTING

GMT 922 8 74

UPC 1K8 KITCHEN

Qty	Title	Restrictions:
1	Sink Asm. -----	ZEO6581
2	Range Asm. -----	ZEO6581
3	Range Vent (Outside) -----	ZEO6581
4	Vacuum Cleaner (Built-in) -----	ZEO6581 W UNL
5	Vacuum Cleaner (Built-in) -----	ZEO6581 W UNL
6	REFRIGERATOR - Seal -----	ZEO6581
7	Galley Clock Asm. -----	W UNF
8	Microwave Oven -----	W UND. 685

UPC 1K9 CABINETS

Qty	Title	Restrictions:
1	Motor Home Cabinet Location ---	ZEO6581
2	Motor Home Cabinet Location ---	ZEO6581
3	Motor Home Cabinet Location ---	ZEO6584
4	Motor Home Cabinet Location ---	ZEO6584
5	Rear Overhead Cabinet -----	ZEO6581
6	Overhead Cabinet Front -----	ZEO6581
7	Overhead Galley Cabinet -----	ZEO6581
8	Refrigerator Module -----	ZEO6581
9	Galley Module -----	ZEO6581
10	Closet Module -----	ZEO6581
11	Overhead Cabinet -----	ZEO6584
12	Galley Module -----	ZEO6584
13	Bath & Shower Module -----	ZEO6584
14	Refrigerator Module -----	ZEO6584
15	Closet Module -----	ZEO6584
16	Overhead Galley Cabinet -----	ZEO6584
17	Heater Closure Instl. -----	ZEO6584
18	Dresser & RR Lwr. Trim Asm. ---	ZEO6584

AUDIT
1K8 - 8
1K9 - 18


CHANGE (in Qty) P NAME (Inspection) LBS	DATE	SYM	REVISION	AUTH	DR	LD	DEPARTMENTS	78 TRUCK	BOOK 70	
			<i>ORIGINAL RELEASE</i>	<i>1/20/78</i>				TITLE		
								INDEX		
								NAME	DIVISION/UPC	SHEET
								BODY	1	M

GMI 922 8/74

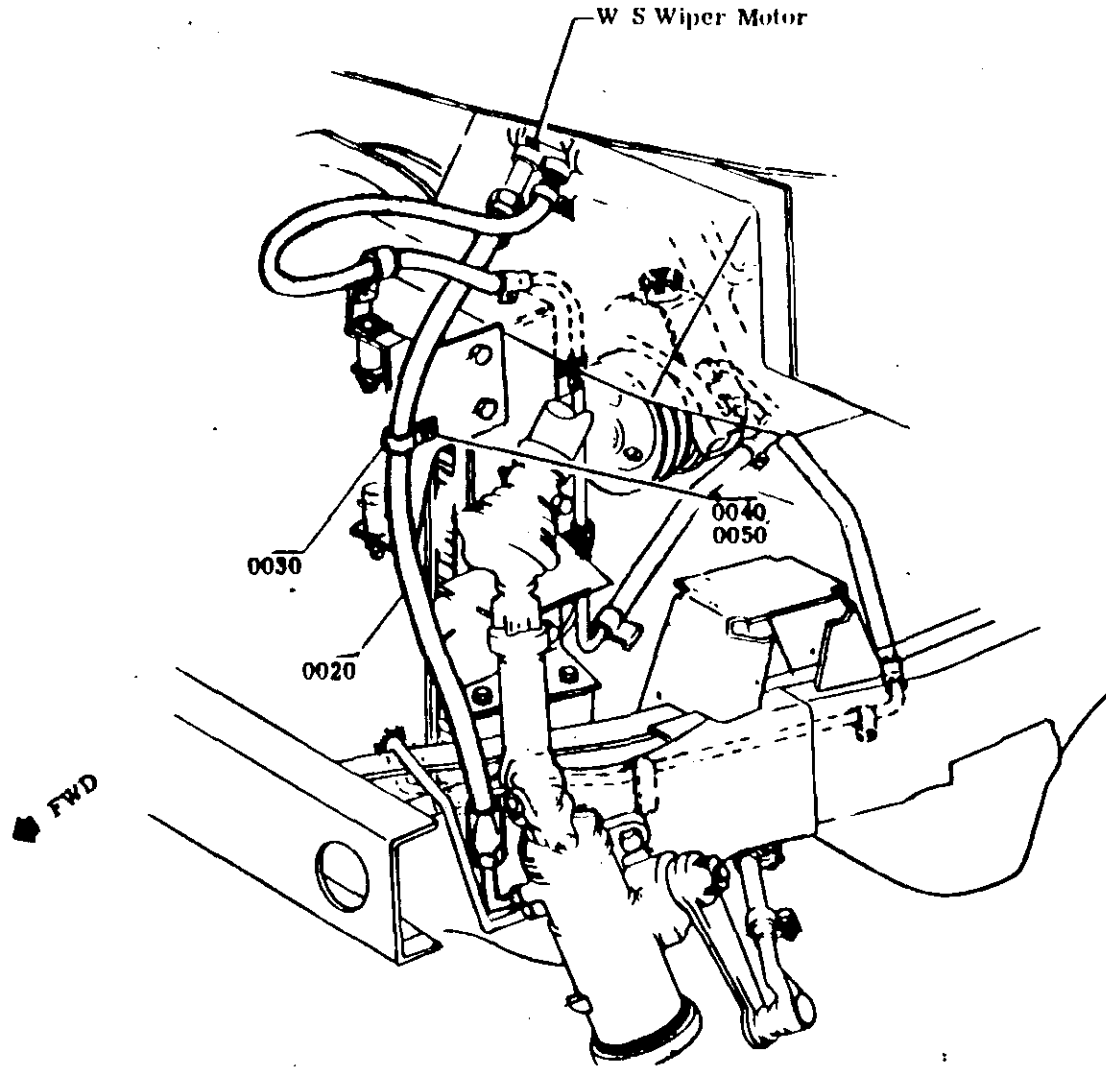
UPC 1K9A HOLDING TANK

Sht.	Title	Restrictions
1	Holding Tank Sending Unit -----	ZEO6581
2	Holding Tank -----	ZEO6581
3	Drain Hose to Holding Tank & Body	ZEO6581
4	Sewer Hose Storage -----	ZEO6581

(AUDIT)
1K9A 4

DYNAMIC (Installation) LBS	MAINT (Inspection) LBS	DATE	SYM	REVISION	ITEM	DR	CR	DEPARTMENTS	'78 TRUCK	BOOK 70	
				SAVINGTON R. 116 B. 35					INDEX		
									BODY	DIVISION/UPC 1	SHEET N

GMT 922 1-73



BY (Installation) - LBS	DATE	SYM	REVISION	AUTH	DR	DEPARTMENTS	TRUCK	BOOK
<input type="checkbox"/> TORQUE <input type="checkbox"/> PART OF OR EXISTING	5/8 73		ORIGINAL INSTALL	47010	J.	TRUCK DIVISION	1978	70
TITLE W/S WIPER HYDRAULIC LINES							DIVISION 1A2D	SHEET 4
NAME W/S WIPER & WASHER								



PRODUCT DESCRIPTION MANUAL

ASSEMBLY INFORMATION

GM 1001 REV. 9-78

ITEM NO.	PART OR TOOL DESCRIPTION	ADD L DATA	QTY	PART NUMBER	ENGINE CODES	REMARKS	ITEM RESTRICTION	UNIT WEIGHT	CHANGE DATA	CHANGE MONTH	ENGINE CODE	FUNCTION CODE	ADDITIONAL CODES	QTY	UNIT WEIGHT
AAC1014	WSW & WSWA		1	L3880				0782						99500	1.0
AAC2014	WSW & WSWA		1	L3880				0702						11702	1.0
AAC3014	1/P CSTR		1	L3853				0782						99500	1.1
AAC4014	P/S & WSW MTR		1	L8513				0782						99512	1.1
AAC4024	HYD LINE		1	L8513				0782							1.1
AA05014	P/S & WSW MTR		1	L8513				0754						11702	1.1
AA05024	HYD LINE		1	L8513				0754							1.1
AAC6014	LUB CHT INSTL		1	MO10298				0782						99508	1.1
0010AA	MOTOR ASM WSW		1	715456				0782	42		0000420005			MO0600	1.0
0020AA	HOSE ASM		1	AR71999				0752	68		0007680005			MO0610	1.0
0030AA	CLIP		1	24AR392				0754	87		0000870005			MO0611	1.0
0040AA	CLIP		1	9417950				0754	87		0000870010			MO0612	1.0
0050AA	BOLT		1	9422275				0754	87					00613	1.0
0060AA	WASHER 70:95 IN LBS		1	9422275				0754	87					00613	1.0
0070AA	BRKT WSW MTR		1	790483				0782	42		0000420010			MO0700	1.0
0070AA	BOLT		1	9417950				0782	42					00800	1.0
0070AA	WASHER 70:95 IN LBS		1	9417950				0782	42					00800	1.0
0080AA	WASHER		3	103320				0782	42					00900	1.0
0090AA	BOLT		4	126216				0782	42					01000	1.0
0100AA	WASHER		4	103320				0782	42					01000	1.0
0110AA	NUT 70:95 IN LBS		4	9417954				0782	42					01200	1.0
0120AA	ARM ASM WSW LH		1	699112				0782	42		0000420015			MO2300	1.0
0130AA	ARM ASM WSW RH		1	699113				0702	7		REPRC0000070030			MO2400	1.0
0140AA	BRACKET LH PIV		1	698177				0782	42		0000420025			MO2500	1.0
0150AA	BRACKET RH PIV		1	698178				0702	7		0000070035			MO2600	1.0

12
03
5

REFERENCE

ZEO6X00

MODEL APPLICATION
W/S WIPER & WASHER PARTS

UPC DESCRIPTION

MODEL YEAR 1978
 FIRST CHG DATE 770711
 LAST CHG DATE 770801
 LAST CHG MOORE PRC
 70 1A20 1

PRODUCT DESCRIPTION MANUAL

ASSEMBLY INFORMATION

GMT 1001 REV 5/78

GMC TRUCK & COACH

ITEM	PART OR TOOL DESCRIPTION	ADD'L DATA	QTY	PART NUMBER	ENGINE CODES	SERIES	REV	ITEM RESTRICTION	DEPARTMENTS		CHANGE NO.	LOGIC CODE	FUNCTION CODE	ADDITIONAL CODES	INA	LINE NO.
									#1	#2						
0160AA	BOLT		4	9417950					0782	42					02700	1.5
0160AB	95:120 IN LBS								0782	42						1.5B
0165AA	BOLT		4	9417950					0702	7				02700	2.1	
0165AB	95:120 IN LBS								0702	7						2.2
0170AA	WA LK		4	103320					0782	42					02800	2.4
0175AA	WA LK		2	103320					0702	7				02800	2.6	
0180AA	RIVNUT		6	2273809					0702	5					02900	2.8
0190AA	SCREW		4	9421033					0782	42					03000	2.10
0195AA	SCREW		2	9421033					0702	7				03000	2.1A	
0200AA	ARM ASM BLADE		2	712873					0782	49		0000490005			M03800	2.14
0210AA	BLADE ASM WSW		2	699116					0782	49		0000490010			M03900	2.16
0220AA	CONTROL ASM WSW		1	699111					0782	42		0000420035			M04600	2.18
0230AA	PLATE ASM		1	697216					0782	42		0000420040			M04610	2.20
0240AA	SCREW		2	9416684					0782	44					04620	2.22
0250AA	WASHER		2	138473					0782	44					04625	2.24
0260AA	NUT		2	134530					0782	44					04630	2.26
0270AA	BUTTON WSW		1	699118					0782	44		0000440005			M04700	2.28
0280AA	WASHER ASM		1	699119					0782	44		0000440010			M04700	2.30
0290AA	STRAP WSWA		1	610165					0702	7		0000070040			M1332	2.32
0300AA	SCREW		2	9417854					0782	42					02900	2.34
0310AA	CONN ASM		2	699104					0782	42		0000420050			M07900	2.36
0320AA	YEE		1	1378160					0782	42		0000420055			M08200	2.38
0330AA	HS WSW NOZ		1	1357884					0782	42		0000420060			M08600	2.40
0340AA	HS LH PMP-NOZ		1	1379312					0782	42		0000420065			M08700	2.42
0350AA	HS RH PMP-NOZ		1	1376524					0782	42		0000420070			M08800	2.44
0360AA	SOLVENT WSWA		4	9985124					0782	42					11800	2.46

1		7E06X00	
2			
3			
4			
5			
FMVSS	REFERENCE	MODEL APPLICATION W/S WIPER & WASHER PARTS UPC DESCRIPTION	MODEL YEAR IS 78 ORIGIN DATE 770711 LAST CHG DATE 770801 LAST CHG CODE REPRC 70 1A2D A 2 BR U P C 3MP PAGE

ITEM QTY	PART OR TOOL DESCRIPTION	ADD L DATA	QTY	PART NUMBER	ENGINE CODES	SERIES	BODY BRK	ITEM RESTRICTION	DEPARTMENTS		CHANGE		LOGIC CODE	FUNCTION CODE	ADDITIONAL CODES	LINE NOS
									#1	2/STA	CD	AUTH				
AAL0014	SUN VISOR INSTL		*	L3872					0782						99512	1.0
AAL2014	DR L PASS SEAT		*	L6776				81 STD/641/697/698	0782						99516	1.10
AAL3014	DR L PASS SEAT		*	L4216				83	0782						99516	1.11
AAL3014	MIRROR MOUNT		*	L2977					0782						99516	1.12
AAL4014	U/S KR VIEW MIR		*	L5022					0782						99519	1.15
AAL4014	STUDY								0782							1.16
AAL5014	FRT RESURF L W/S		*	L2968					0782						99520	1.18
AAL6014	FRT STRUCT &		*	L7856					0704						99546	1.20
AAL6024	STRG COL SUPT								0704							1.21
AAL7014	U/S KR VIEW		*	L9036					0782						99503	1.23
AAL7024	MIRROR INSTL								0782							1.24
AAL8014	LIGHTED S/S INST		*	L8893				064	0782						99551	1.26
AAL9014	FRT HF WAG HARN		*	MD16421				064	0782						99552	1.28
AA10014	DR L PASS SEAT		*	L6776				81 STD/641/697/698	0784						99516	1.30
AA10024	DR L PASS SEAT		*	L4216				83	0784						99516	1.31
AA11014	DR L PASS SEAT		*	L6776				81 STD/641/697/698	0786						99516	1.33
AA11024	DR L PASS SEAT		*	L4216				83	0786						99516	1.34
AA12014	FRT STRUCT &		*	L7856					0704						99546	1.36
AA12024	STRG COL SUPT								0704							1.37
CG10AA	REINF MIR O/S LH		1	2005963					0704	9			0000090005		M08450	1.35
CG15AA	REINF MIR O/S RH		1	2006416					0704	9			0000090010		M08480	1.41
CG30AA	ADHESIVE	AS REQD	*	6860766					0704	9					68600	1.43
CG40AA	NUT ARM BOLT		8	131554					0704	9					07100	1.45
CG50AA	GASKET O/S MIR		2	701842					0782	49			0000490015		M06430	1.47
CG60AL	MIRROR ASM O/S		2	704161					0782	49			0000490020		M00160	1.49
CG70AA	RETAINER ARM BLY		8	1494981					0782	49			0000490025		M07150	1.51
CG80AA	WASHER BOLT MIR		8	426759					0782	49					01100	1.53
CG90AA	GASKET BOLT		8	3698850					0782	49					01200	1.55
CG10AA	GASKET ASM S/S LH		1	696150					0704	9			0000090015		M08600	1.57
ALL									MODEL YEAR 197B							
									ORIGIN DATE 77C711							
									LAST CHG DATE							
									LAST CHG CODE							
									70 1AZE A 1							
									BK U P C DRP PAGE							
REFERENCE																

PRODUCT DESCRIPTION MANUAL

ASSEMBLY INFORMATION

GMT 1081 REV 8/78

GM TRUCK & COACH

ITEM	QTY	PART OR TOOL DESCRIPTION	ADD'L DATA	QTY	PART NUMBER	ENGINE CODES	SERIES	BODY PART	ITEM RESTRICTION	DEPARTMENTS		CHANGE CD	LOGIC CODE	FUNCTION CODE	ADDITIONAL CODES	PNA	LINE NOS
										#1	#2 STA						
0110AA		BRKT ASM S/S RH		1	696149					0704	9		0000090020		M08900	1.59	
0120AA		RIVET		4	700368					0704	9				090000	2.2	
0130AA		RIVET		4	700368					0704	9					2.4	
0140AA		SUNSHADE ASM LH		1	689608					0782	44		0000440015		M09300	2.6	
0145AA		SUNSHADE ASM RH		1	689608			-D64		0782	44		0212440020		09400	2.8	
0145AH		SUNSHADE ASM RH		1	2020477			D64		0782	48		0213480005		19000	2.9	
0150AA		BRKT ASM MTG		1	702582					0782	40		0000400005		M09500	2.1	
0151AA		NOTE: ITEM #0155 AND 0156 ARE PART OF ASM ITEM #0150.								0782	40					2.1	
0155ZA		BRKT		1	702583					0782	40				01270	2.1	
0155ZB		BRKT		2	702584					0782	40				01152	2.1	
0160AA		SCREW BRKT MTG		2	796748					0782	43				09000	2.1	
0170AA		CLIP S/S SUPT		2	325505					0782	40		0000400010		M10000	2.2	
0180AA		RIVET CLIP BRKT		2	708648					0782	40				10220	2.2	
0190AA		ADHESIVE CRETH		*	8660766					0782	43				10250	2.2	
0200AA		MIRKLN ASM I/S		1	911722					0782	40		0000400015		M06700	2.2	
0210AA		PLATE ASM		4	701809					0702	7		0000070005		M11400	2.2	
0220AA		WASHER PLATE		4	2436167					0786	80				11810	2.3	
0230AA		SCREEN PLATE		8	9414726					0702	7				11500	2.3	
0240AA		BOLT PLATE		4	711850					0786	80				11600	2.3	
0240AB		35:45 FT LBS								0786	80					2.3	
0250AA		COMPOUND RET	AS REQ	*	9985115			81		0786	79				11540	2.3	
0250AB		COMPOUND RET	AS REQ	*	9981074			83		0786	79				11625	2.3	
0260AA		BELT ASM DR		1	717301			83		0786	80		0000805005		M10500	2.4	
0270AA		BELT ASM PASS		1	717302			83		0786	80		0000805010		M10700	2.4	
0350AA		SEALER		*RH	33056			83		0702	7				11830	2.4	

1	ALL	MODEL YEAR 1978
2		ORIGIN DATE 770711
3		LAST CHG DATE
4		LAST CHG CODE
5		70 1A2E A 2
6		BR U P C GRP PAGE
FMVSS	REFERENCE	

MODEL APPLICATION
 BODY MISCELLANEOUS PARTS
 UPC DESCRIPTION



PRODUCT DESCRIPTION MANUAL

ASSEMBLY INFORMATION

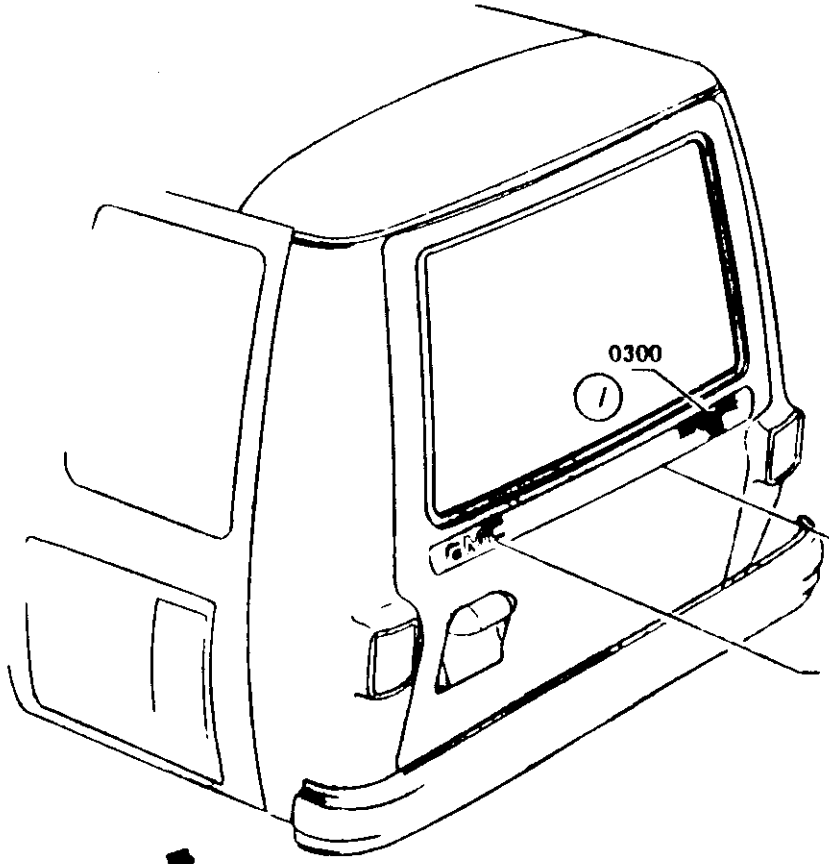
17 1061 REV. 8/78

GMC TRUCK & COACH

ITEM	S E Q	P V S	OR TOOL DESCRIPTION	ADD'L DATA	Q T Y	PART NUMBER	ENGINE CODES	SERIES	BOY PPK	EM RESTRICTION	DEPARTMENTS		CHANGE		LOGIC CODE	FUNCTION CODE	ADDITIONAL CODES	PNA	S
											#1	2/STA	CD	AUTH					
0360AA			RETR BELT LA		1	2010352			641		0786	80			3477805015	M		10900	2.47
0360AC			RETR BELT LR		1	790384			697		0786	80			3461805015	M		10900	2.48
0360AE			RETR BELT LR		1	2000674			698		0786	80			3484805015	M		10900	2.49
0360AF			RETR BELT LR		1	2027539			685		0786	80			6037805015	M		10900	2.50
0370AA			RETR BELT PASS		1	2010358			641		0786	80			3477805020	M		11000	2.51
0370AC			RETR BELT PASS		1	790382			697		0786	80			3461805020	M		11000	2.53
0370AE			RETR BELT PASS		1	2000675			696		0786	80			3484805020	M		11000	2.54
0370AF			RETR BELT PASS		1	2027540			685		0786	80			6037805020	M		11000	2.55

MODEL APPLICATION	BODY MISCELLANEOUS PARTS	UPC DESCRIPTION	MODEL YEAR 1978
			ORIGIN DATE 770711
REFERENCE	ALL		LAST CHG DATE
			LAST CHG CODE
			70 1A2E A 3
			BK U. P. C. GRP PAGE

EMI 922 1-73



Decal part of 0360 kit

Name Plate
UPC 11

FWD

SYMBOL (Installation) - (R)	REVISION	DATE	SYM	AUTH	DR	CE	DEPARTMENT
△	ORIGINAL RELEASE	2-1-73		47000	AS		THOMPSON
△	ITEM 0300 ADDED	2-5-77	L	40622	VL		TRESSEL
△							
△							
△							
△							

78 TRUCK BOOK 70

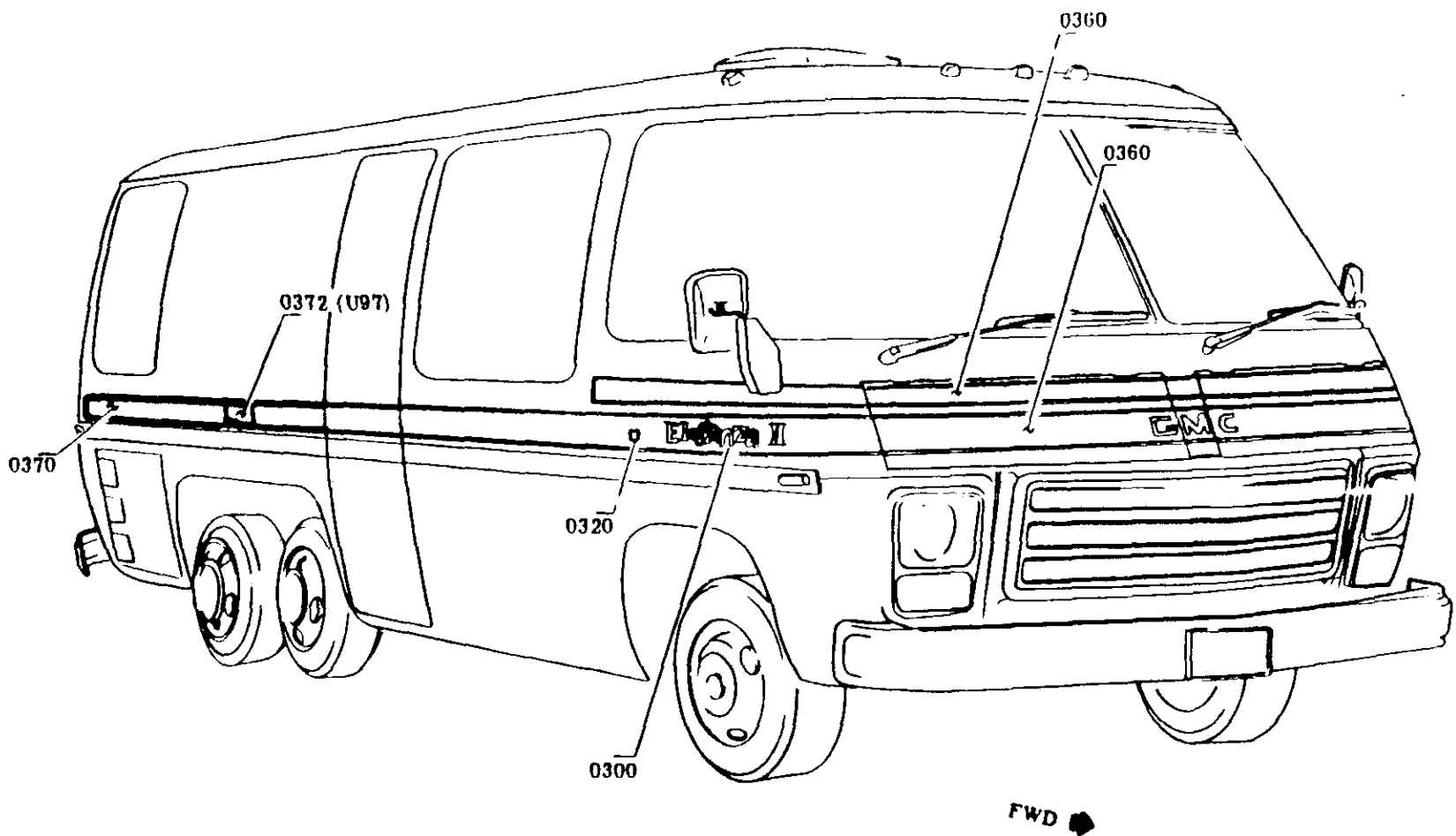
TITLE
DECALS-REAR END
ZE 06581

GROUP
EXTERIOR
BODY ORNA.

ISSUE
1237

SHEET
6

CME 922 1/75



SYMBOL (Installation) - 1/85	SYMBOL (Inspection) - 1/85	DATE	SYM	REVISION	AUTH	DR	CR	DEPARTMENTS	TRUCK	BOOK 70
▲		12/5/77		ORIGINAL RELEASE	KOBB	DK		TRESSER	DECALS-RH SIDE	
▲									ZEO6581	
▲									EXTERIOR	
▲									BODY ORNA.	7

PRODUCT DESCRIPTION MANUAL

ITEM	QTY	PART OR DESCRIPTION	ADDL DATA	QTY	PART NUMBER	ENGINE CODES	SERIES	BODY ORN	ITEM RESTRICTION	INSTALLATION INFORMATION				ADDITIONAL CODES	PMA	QTY	
										PAIDMENTS	CHANGE	LOGG	INSTR				
										NO.	STA	CD	AUTH	CODE			
202014		UPR TR MCL		*	L385					0704						94502	1.1
202044		LWR FRT SUNR		*	L297					0702						94511	1.1
202014		RR SUBE & STRUCTURE		*	L3863					0702						94512	1.1
204014		RUB RAIL & INST		*	L7857				81STD/VNWB02	0702						94513	1.1
204014		LEGAL & LMB		*	L9747		65		534/553/558/595/561	0702		03836				94503	1.1
204014		RR MCL UPR SKIRT		*	L6907				158	0704						94507	1.1
2001AA		RAIL BELT		2	2007981					0704	10		CCCC10005			MC1824	1.20
2002AA		RAIL BELT		2	2007982					0704	10		0000100010			MC1824	1.20
2003AA		SEAL BELT RAIL		4	2006158					0704	10		0000100015			MC1825	1.30
2004AA		SEAL BELT RAIL		2	2006157					0704	10		0000100020			MC1825	1.30
2005AA		SCREW BELT RAIL		4	9423437					0704	10					MC1844	1.30
2006AA		SCREW BELT RAIL		12	156026					0704	10					MC1844	1.30
2007AA		ADHESIVE	AS REQD	12	2226070					0704	10					MC1855	1.35
2008AA		ADHESIVE	AS REQD	*	8860766					0704	10					MC1865	1.40
2009AA		RAIL RUB RH FRT		1	2008160		65			0702	38		0000380005			MC1940	1.44
2010AA		RAIL RUB RH FRT		1	2008162		60			0702	38		0000380005			MC1940	1.44
2011AA		RAIL RUB RH RR		1	2008159		65			0702	38		0000380010			MC1920	1.44
2012AA		RAIL RUB RH RR		1	2008164		60			0702	38		0000380010			MC1920	1.44
2013AA		RAIL RUB LH FRT		1	2008164		65			0702	38		0000380015			MC1910	1.44
2014AA		RAIL RUB LH FRT		1	2008165		60			0702	38		0000380015			MC1910	1.44
2015AA		RAIL RUB LH RR		1	2008163					0702	38		0000380020			MC1905	1.50
2016AA		RAIL RUB RH RR		1	2008166					0702	38		0000380025			MC1930	1.50
2017AA		SCREW RUB RAIL		14	2006755					0702	38	03818				MC1950	1.50

1 2 3 4 5	REFERENCE 2E06X00 MODEL APPLICATION EXTERIOR BODY ORNAMENTATION UPC DESCRIPTION	MODEL YEAR 1978 ORIGIN DATE 770712 LAST CHG. DATE 770818 LAST CHG. CODE 3828 TO 1A2F A 1 BK U. P. C. ORP PAGE
-----------------------	---	--

PRODUCT DESCRIPTION MASTER

ASSEMBLY INFORMATION

ITEM DESCRIPTION	QTY	UNIT	ITEM DESCRIPTION	QTY	UNIT	ITEM DESCRIPTION	QTY	UNIT	ITEM DESCRIPTION	QTY	UNIT	ITEM DESCRIPTION	QTY	UNIT
0150AA MOLDING	2	702282	65	0704	16	0000160005	M02100	1.57						
0150AC MOLDING	2	702283	60	0704	16	0000160005	M02100	1.58						
0160AA SCREW	54	2008764	65	0704	16		02130	2.1						
0160AC SCREW	46	2008764	60	0704	16		02130	2.2						
0180AA CAP MLDG FRT END	2	703656		0704	16	0000160010	M02200	2.4						
0200AA CAP MLDG RR END	2	703657		0704	16	0000160015	M02400	2.6						
0210AA SEALER	1	8861061		0704	16			2.8						
0220AA GASKET END CAP	2	2009163		0704	16	0000160020	M05020	2.10						
0230AA GASKET END CAP	2	2009164		0704	16	0000160025	M05020	2.12						
0300AA DECAL PALM BEACH	3	2001763	81375E41P6698	0758	100	D38383678105090	M	05150	2.14					
0300AC DECAL KINGSLEY	3	2015712	81365E39P6641	0758	100	3681105090	M	05125	2.15					
0300AE DECAL ELEG II	3	793159	81355E38P6697	0758	100	3684105090	M	05500	2.16					
0320AA DECAL GMC	2	793160	81355E38P6697	0758	100	3684105095	M	05200	2.18					
0320AC DECAL GMC	2	793160	81365E39P6641	0758	100	3681105095	M	05200	2.19					
0320AE DECAL GMC	2	2001764	81375E41P6698	0758	100	3678105095	M	05200	2.20					
0360AA KIT ASM DECAL	1	2032787	81355E38P6697	0758	100	3684105100	M	05400	2.22					
0360AB KIT ASM DECAL	1	2032786	81365E39P6641	0758	100	3681105100	M	05400	2.23					
0360AC KIT ASM DECAL	1	2032788	81375E41P6698	0758	100	3678105100	M	05400	2.24					
0370AA DECAL,RR SI RH	1	2032244	81355-U97	0782	48	606226507480022	M	05420	2.26					
0370AB DECAL,RR SI RH	1	2032243	81365-U97	0782	48	606226556680022	M	05420	2.27					
0370AC DECAL,RR SI RH	1	2032245	81375-U97	0782	48	606226561480022	M	05420	2.28					
0370AD DECAL,RR SI RH	1	2032250	U97E355	0782	48	606221399480022	M	05420	2.29					
0370AE DECAL,RR SI RH	1	2032249	U97E365	0782	48	606226389480022	M	05420	2.30					
0370AF DECAL,RR SI RH	1	2032251	U97E375	0782	48	606226506480022	M	05420	2.31					
0372AA DECAL,ACC DR	1	2032253	81U97E355	0782	48	606221399480024	M	05440	2.33					
0372AB DECAL,ACC DR	1	2032252	81U97E365	0782	48	606226389480024	M	05440	2.34					
0372AC DECAL,ACC DR	1	2032254	81U97E375	0782	48	606226506480024	M	05440	2.35					
0400AA BRKT SKIRT MTG	2	793494	T58	0754	87	3677870015	M	05700	2.37					
0410AA BOLT MTG BRKT	2	9410022	T58	0754	87			05800	2.38					
0420AA WASHER	2	9421042	T58	0754	87			05900	2.41					
0430AA WA LK	2	138489	T58	0754	87			05900	2.43					
0440AA SKIRT WHL OPG	2	793495	T58	0705	22	3677220005	M	05600	2.45					

ZE06X00

MODEL APPLICATION

EXTERIOR BODY ORNAMENTATION

UPC DESCRIPTION

MODEL YEAR 78

ORIGIN DATE 770712

LAST CHG DATE 771020

LAST CHG CODE 0622

70 1A2F A 2
BK U P C GMP PAGE

REFERENCE

F.M.S.S

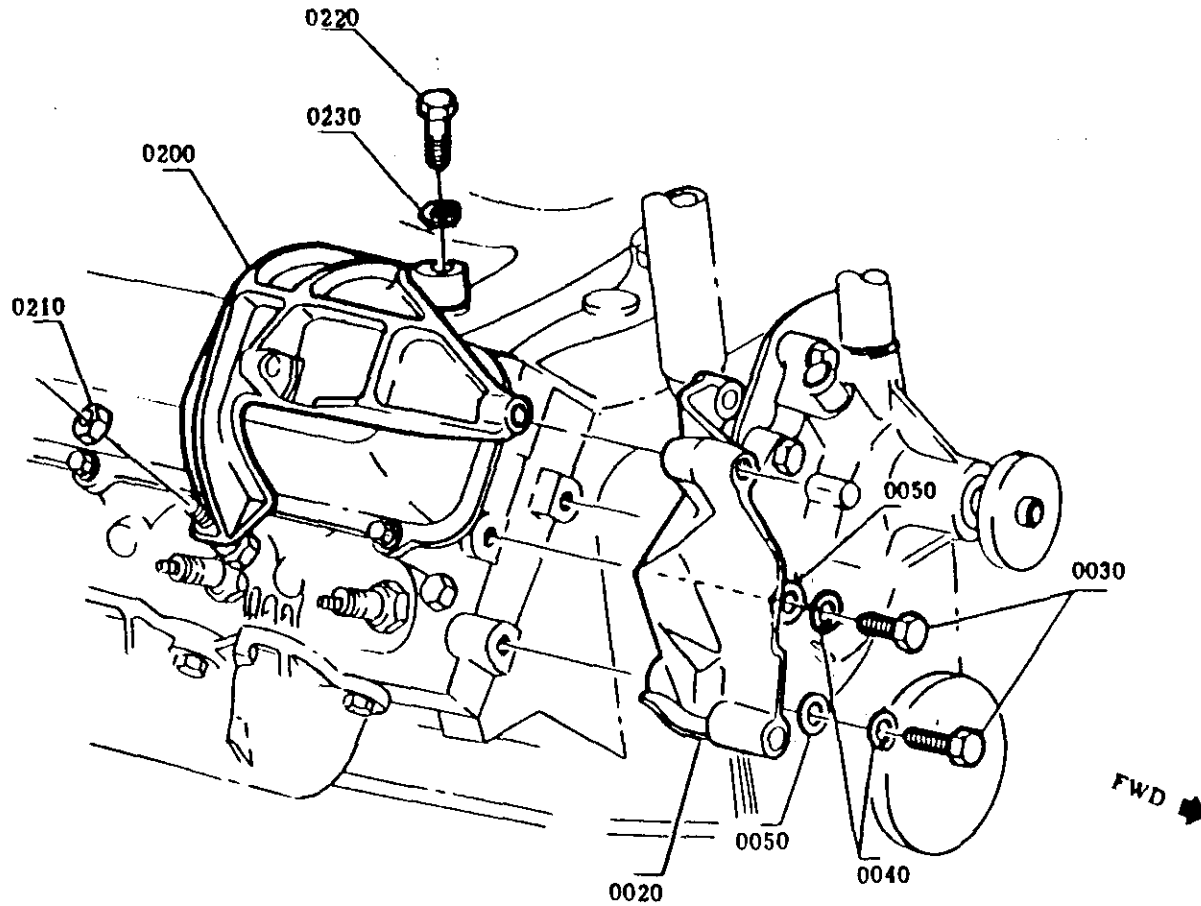
ITEM	EQ	PART OR TOOL DESCRIPTION	ADD'L DATA	QTY	PART NUMBER	ENGINE CODES	SERIES	BOV BRG	ITEM RESTRICTION	DEPARTMENTS		CHANGE		LOGIC CODE	FUNCTION CODE	ADDITIONAL CODES	LINE NOS
										#1	2/STA	CD	AUTH				
0450AA		BOLT SKIRT/BRKT		4	0419004				T58	0754	07					06000	2.47
0460AA		WASHER		4	2436161				T58	0754	87					06020	2.49
0470AA		SC SK @ BODY		4	9417311				T58	0754	87					06040	2.51
0480AA		NUT SCREW		4	9433156				T59	0754	87					06030	2.53

<p>P.M.V. 88</p>	<p>REFERENCE</p>	<p>ED6X00 MODEL APPLICATION EXTERIOR BODY ORNAMENTATION UFC DESCRIPTION</p>	<p>MODEL YEAR 1978 ORIGIN DATE 770712 LAST CHG. DATE 70831 LAST CHG. CODE 0622 70 182F A 3 BX U. P. C. GMP PAGE</p>
------------------	------------------	--	--



□ ITEM REFERENCE ◇ PROCESS MATERIAL △ TORQUE ▣ PART OF OR EXISTING

GMT 922 1/75



VIEW A

From Sht. #1

DATE	SYN	REVISION	AVTH	DR	CR	DEPARTMENTS	78 TRUCK	BOOK 70
6-22-77		ORIGINAL RELEASE	77000			ARMY GREEN		
							TITLE	
							AIR COMPRESSOR MOUNTING	
							DATE A/C	
							COMP. DRIVE & MTG. PARTS	
							DIVISION/PC	
							1A20	
							SHEET	
								2



ITEM	PART OR TOOL DESCRIPTION	ADD'L DATA	QTY	PART NUMBER	M O I D	ENGINE CODES	SERIES	DOY BRK	ITEM RESTRICTION	DEPARTMENTS		CHANGE		LOGIC CODE	FUNCTION CODE	ADDITIONAL CODES	LINE NOS
										#1	2/STA	CO	AUTH				
AAC100	MTR HSE & AIR		*	L8449						0752						99503	1.8
AAC102	COND INSTAL									0752							1.9
001004	COMP ASM A/C		1	1131053						0752	63			0000630045		M00100	1.15
001004	BRKT A/C COMP F		1	555287						0752	63			0000630050		M00505	1.17
001004	BOLT BRKT F		2	9418822						0752	63					00760	1.19
001004	2535 FT LBS									0752	63						1.20
001004	STUD FRT BRKT		1	557223						0752	63					00440	1.22
001004	WA LR FRT EGLT		2	103321						0752	63					00762	1.24
001004	WASHER EGLT		2	9421042						0752	63					00765	1.26
011004	LINK COMP ADJ		1	352602						0752	63			0000630055		M00770	1.28
011004	BOLT LINK LWR		2	161543						0752	63					00775	1.30
011004	2535 FT LBS									0752	63						1.31
011004	EGLT LINK UPK		1	161608						0752	63					00775	1.33
011004	2535 FT LBS									0752	63						1.34
011004	WA LR		1	103320						0752	63					00780	1.36
011004	NUT 1525 FT LBS		1	120368						0752	63					00785	1.38
021004	BRKT A/C COMPK		1	391366						0752	63			0000630060		M00805	1.40
021004	NUT 2035 FT LBS		1	271505						0752	63					00806	1.42
021004	BOLT BRKT/ENG		1	9418968						0752	63					00825	1.44
021004	2535 FT LBS									0752	63						1.45
021004	WA LR BOLT		1	103321						0752	63					00830	1.47
021004	SOFT COMP RR		1	387582						0752	63			0000630065		M00910	1.49
021004	BOLT SUPT/COMP		1	9418822						0752	63					00915	1.51
021004	2535 FT LBS									0752	63						1.52
021004	BOLT SUPT/COMP		1	9416994						0752	63					00915	1.54
021004	BOLT SUPT/COMP		1	9418822						0752	63					00915	1.55
021004	2535 FT LBS									0752	63						1.56

M.V.B.E.	REFERENCE	2E06X00	MODEL YEAR 1978
		MODEL APPLICATION A/C COMP DRIVE & MOUNTING PARTS	ORIGIN DATE 770712
		UPC DESCRIPTION	LAST CHG. DATE 770927
			LAST CHG. CODE
			70 1A2G A 1
			BE V. P. C. BRP PAGE



PRODUCT DESCRIPTION MANUAL

ASSEMBLY INFORMATION

GMT 1061 REV. 5/78

GMC TRUCK & COACH

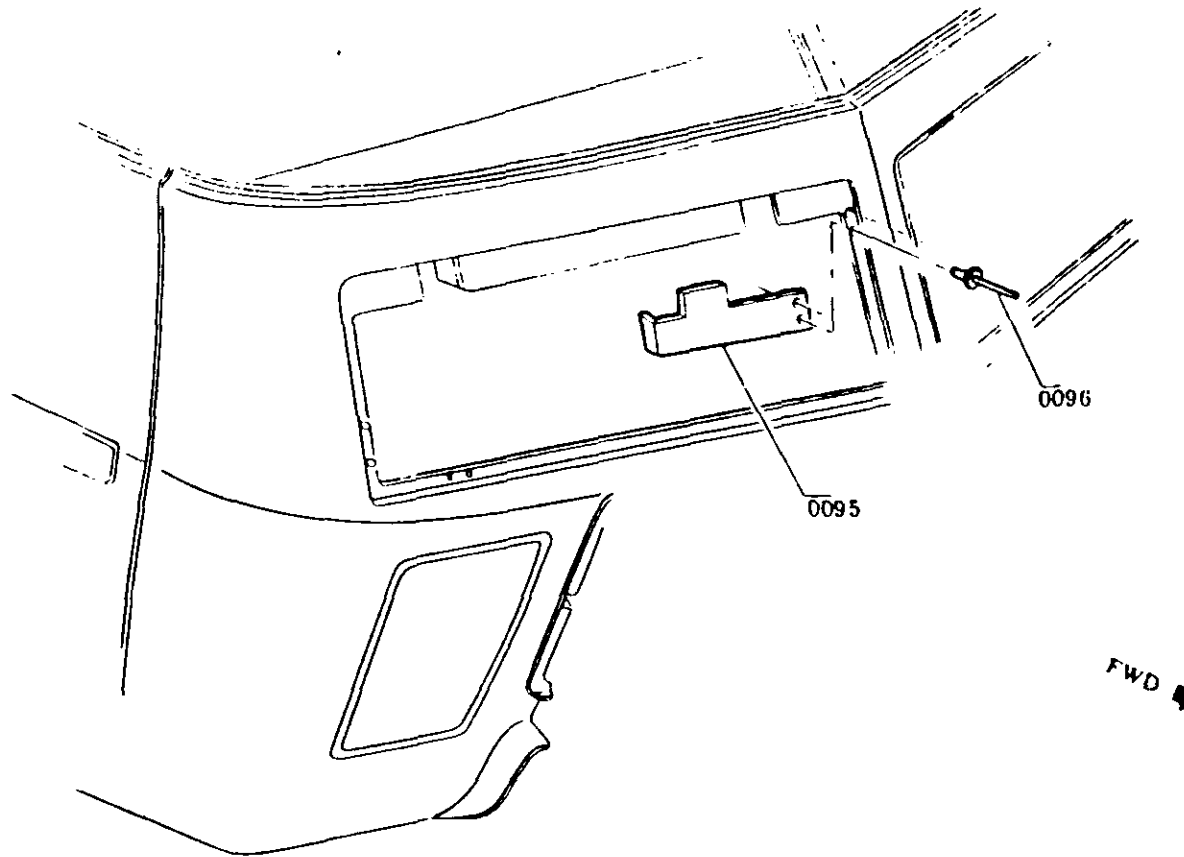
ITEM #	QTY	PART OR TOOL DESCRIPTION	ADD'L DATA	QTY	PART NUMBER	ENGINE CODES	SERIES	BODY LINK	ITEM RESTRICTION	DEPARTMENTS		CHANGE AUTH	LOGIC CODE	FUNCTION CODE	ADDITIONAL CODES	PWA	QTY
										#1	#2						
0275AA	1	BOLT RR PIVOT		1	9410994					0752	63						2.0
0280AA	1	WA LK		1	103321					0752	63						2.1
0290AA	1	NUT 25:35 FT LBS		1	9437796					0752	63	01390					2.0
0350AA	1	BRACE COMP ADJ		1	398924					0752	63		0000630070				2.0
0400AA	1	WA LK BRACE		1	103320					0752	63						2.1
0370AA	1	NUT 20:25 FT LBS		1	9417954					0752	63						2.0
0330AA	1	BOLT BRACL/COMP		1	9416994					0752	63						2.1
0340AA	1	25:35 FT LBS		1						0752	63						2.1
0390AA	1	WA LK BR BOLT		1	103321					0752	63						2.1
0400AA	1	STRUT SUPT		1	555288					0752	63		0000630070				2.0
0410AA	1	WA LK		1	103320					0752	63						2.1
0410AA	1	NUT 20:25 FTW		1	9417954					0752	63						2.0
0420AA	1	NUT 25:35 FTW		1	9437796					0752	63	01390					2.0
0420AA	1	STRUT RR SUPT		1	553723			-NB4		0752	63		3910630080				2.0
0430AA	1	SPACER		1	413468			-NB4		0752	63		3910630085				2.0
0440AA	1	RASHER		1	9419276			-NB4		0752	63						2.0
0450AA	1	NUT 40:50 FTW		1	271505			-NB4		0752	63						2.0
0500AA	1	BELT COMP DR		1	9433670					0752	63		0000630070				2.0

1 2 3 4 5 6 7 8 9 10 11 12 13 14 15 16 17 18 19 20 21 22 23 24 25 26 27 28 29 30 31 32 33 34 35 36 37 38 39 40 41 42 43 44 45 46 47 48 49 50 51 52 53 54 55 56 57 58 59 60 61 62 63 64 65 66 67 68 69 70 71 72 73 74 75 76 77 78 79 80 81 82 83 84 85 86 87 88 89 90 91 92 93 94 95 96 97 98 99 100	ZE 06 X0U										MODEL YEAR IS 76	
											ORIGIN DATE 170712	
											LAST CHG DATE 771013	
											LAST LOG CODE 1290	
										70 1A25 A 2		
										OR U.P.C. SHIP PAGE		

MODEL APPLICATION
A/C COMP DRIVE & MOUNTING PARTS
UPC DESCRIPTION

REFERENCE

GMT 922 1/75



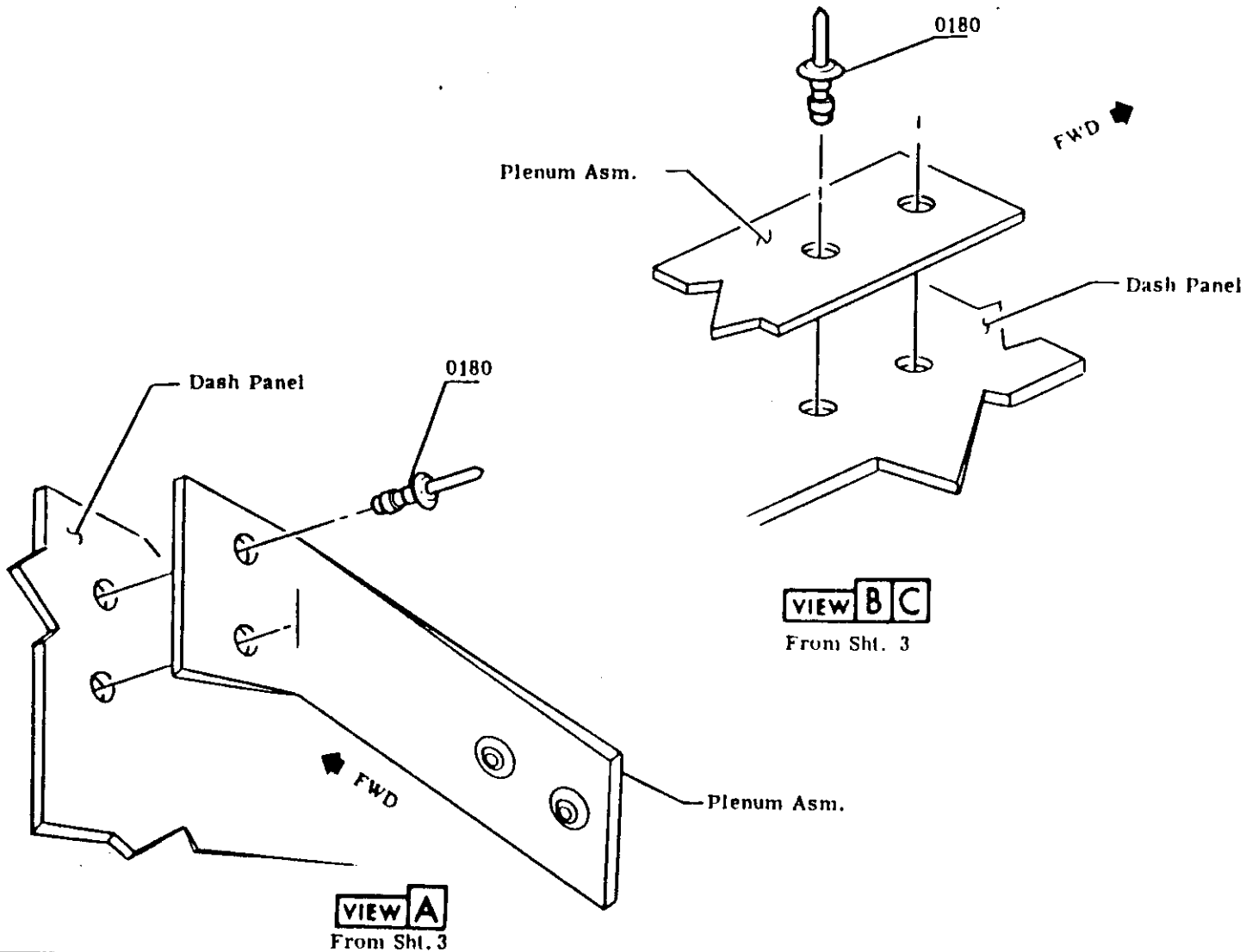
DYNAMIC (Installation) - LPS	HAZ (Inspection) - LPS	DATE	SYM	REVISION	AUTH	DR	EX	DEPARTMENTS	178 TRUCK	BOOK 70
		11-3-77		ORIGINAL RELEASE	60012	JL			TITLE WATER DEFLECTOR	
									DRIVE HEATER & A/C AIR SYS. PARTS	
									DIVISION/UPC 1A2H	SHEET 2.1





☐ ITEM REFERENCE ◇ PROCESS MATERIAL △ TORQUE ◼ PART OF OR EXISTING

GMT 922 1/75



BY/CHK (Installation) - LPS	DATE	SYM	REVISION	AUTH	DR	CR	DEPARTMENTS	TITLE
△ △ △ △	6-1-77		ORIGINAL RELEASE	47200/3	JTB		THOMPSON	78 TRUCK BOOK 70
								HEATER PLENUM ASM. - VIEWS
								HEATER & A C SYS. PARTS.
								DIVISION/UPC 1A2H
								SHEET 4

ITEM	PART OR TOOL DESCRIPTION	ADD'L DATA	QTY	PART NUMBER	A/O/D	ENGINE CODES	SERIES	BOX SWK	ITEM RESTRICTION	DEPARTMENTS		CHANGE		LOGIC CODE	FUNCTION CODE	ADDITIONAL CODES	LINE NO.	
										#1	2/STA	CD	AUTH					
AA01014	HTR WRG INSTL		*	L6923						0782						99507	1.18	
AA02014	HTR A/C INSTL		*	L8449						0782						99514	1.19	
AA03014	HTR & DEF A/C		*	L6915						0754						99516	1.21	
AA03024	HOSE & OTLY									0754							1.21	
AA04014	A/C BFL INSTL		*	L8799						0782						99564	1.15	
AA05014	HTR WRG INSTL		*	L3875						0782						99507	1.17	
AA06014	HTR & A/C INSTL		*	L7854						0782						99514	1.19	
AA07014	HTR & DEF A/C		*	L6915						0782						99516	1.21	
AA07024	HOSE & OTLY									0782						99516	1.22	
AA08014	HTR & DEF A/C		*	L6915						0702	7					91576	1.24	
AA08024	HOSE & OTLY									0702	7						1.24	
0010AA	HEATER ASM		1	2022190						0702	7		0000	070045		M02402	1.23	
0020AA	BOLT HTR DA		7	9418822						0702	7						02100	1.29
0030AA	WA HTR BOLT		4	9421042						0702	7						02200	1.31
0040AA	WA LK		7	103321						0702	7						02300	1.33
0050AA	RIVNUT		2	2390834						0702	5						02350	1.35
0060AA	NUY HTR DA BOLT		4	120377						0702	7						02400	1.37
0070AA	BAFFLE ASM A/C		1	2019777						0702	7		0000	070050		M02404	1.39	
0071AA	NOTE: ITEM #0072 THRU #0076 ARE PART OF ASM #0070.									0702	7							1.41
0072ZA	REY BFL		1	2019779						0702	7						05359	1.43
0074ZA	SEAL REY		1	2019778						0702	7						06638	1.45
0076ZA	WIRE STCHG		*	R34740						0702	7						08375	1.47
0080AA	BAFFLE ASM LH		1	2022576						0702	7		0000	070055		M02405	1.49	
0081AA	NOTE: ITEM #0082 THRU #0086 ARE PART OF ASM #0080.									0702	7							1.51
0082ZA	REY LH BAFFLE		1	2022572						0702	7						08512	1.53
0084ZA	SEAL LH BFL		1	2022568						0702	7						08513	1.55
0086ZA	WIRE STCHG		*	R34740						0702	7						08375	1.57

P.M.V.B.B.	REFERENCE										2E06X00									
											MODEL APPLICATION HEATER & A/C AIR SYSTEM PARTS									
											UPC DESCRIPTION									
											MODEL YEAR 1978 ORIGIN DATE 770712 LAST CHG. DATE 770801 LAST CHG. CODE RPRC 70 1A2H A 1 BK. V. P. C. QMP PAGE									



PRODUCT DESCRIPTION MANUAL
ASSEMBLY INFORMATION

ITEM	EQUIP	PART OR TOOL DESCRIPTION	ADD'L DATA	QTY	PART NUMBER	ENGINE CODES	SERIES	DOY BRN	ITEM RESTRICTION	DEPARTMENTS		CHANGE		LOGIC CODE	FUNCTION CODE	ADDITIONAL CODES	LINE NOS.
										#1	2/5TA	CD	AUTH				
0090AA		SCR BFL/EVAP		1	9419303					0702	7					02408	1.59
0091AA		DEFLECTR AC WAT		1	2029334					0754	89	25373	0000	890005		02520	2.2
0090AA		RIVET DFL		2	700368					0754	89	25373				02530	2.4
0100AA		RAFFLE COND LWR		1	2022723					0754	87		0000	870175		02412	2.6
0101AA		NOTE: ITEM #0102, THRU #0108 ARE PART OF ASM #0100.								0754	87						2.8
0102ZA		RET LWR BFL		1	2022569					0754	87					08514	2.10
0102ZA		SEAL LWR BFL		1	2022569					0754	67					06515	2.12
0102ZA		RET LWR BFL		2	2022570					0754	87					08514	2.14
0102ZA		RET UPR BFL		1	2022571					0754	87					08515	2.16
0102ZA		WIRE STCHG		*	R 34740					0754	87					06375	2.18
0103AA		SCREW CNDSR BFL		7	9418235			83		0754	87					02414	2.20
0103AB		SCREW CNDSR BFL		3	9418235			81		0754	87					02414	2.21
0120AA		RAFFLE CNDSR SI		2	2022575					0752	69		0000	690200		02416	2.23
0121AA		NOTE: ITEM #0122, THRU #0126 ARE PART OF ASM #0120.								0752	69						2.25
0122ZA		RET SI BFL		1	2022574					0752	69					08510	2.27
0122ZA		SEAL		1	2022567					0752	69					08511	2.28
0122ZA		WIRE STCHG		*	R34740					0752	69					06375	2.31
0131AA		SCR SI BFL		4	9419303					0752	69					02418	2.33
0140AA		PLENUM HTR G A-C		1	2001435					0782	39		0000	390005		02500	2.35
0150AA		BOX DISTR		1	2003632					0702	7		0000	070060		02750	2.37
0160AA		DUCT DEFK		1	2005001			83		0702	7		0000	070065		02850	2.39
0160AB		DUCT DEFK		1	2005001			R1641/665/697		0702	7		60380	070065	M	02850	2.40
0160AC		DUCT DEFK		1	2019457			61698		0702	7		34840	070065	M	02850	2.41
0170AA		DUCT LH HTR		1	2001707					0702	7	CORR.	0000	070067		02950	2.43
0180AA		RIVET DISTR BOX		30	700368					0702	7					03050	2.45
0190AA		SCR BOX/DUCT		2	9420408					0702	7					03150	2.47

1 2 3 4 5 P.M.V.B.B.	2E06X00	MODEL YEAR 1978
	MODEL APPLICATION	ORIGIN DATE 770712
	HEATER & A/C AIR SYSTEM PARTS	LAST CHG. DATE 770927
UFC DESCRIPTION	LAST CHG. CODE IRR	70 1A2H A 2
		SK V. P. C. GM PAGE

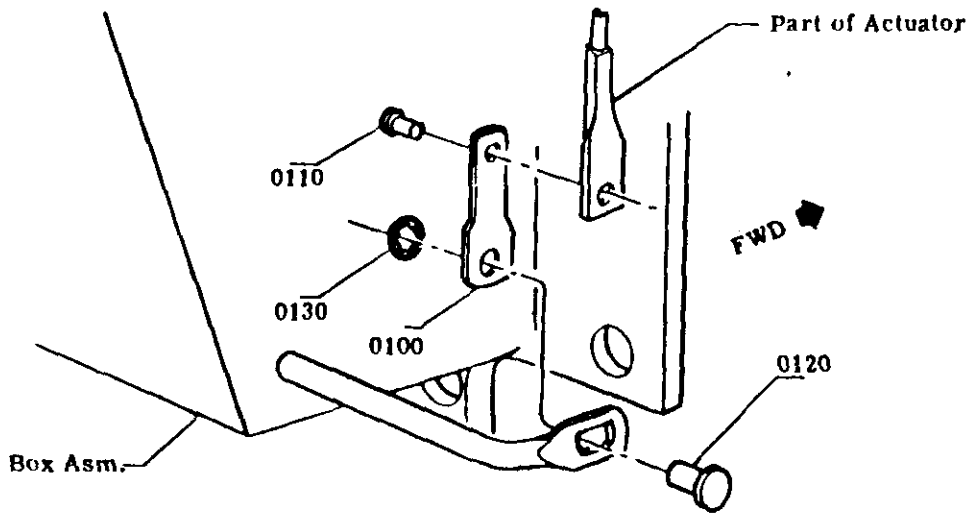


PRODUCT DESCRIPTION MANUAL
ASSEMBLY INFORMATION

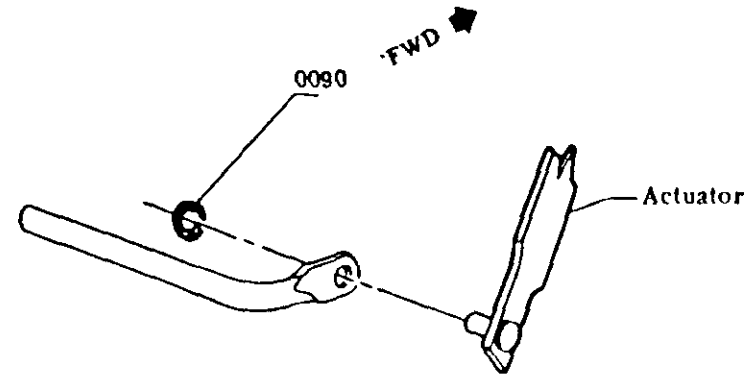
ITEM	PART OR TOOL DESCRIPTION	ADD'L DATA	QTY	PART NUMBER	ENGINE CODES	SERIES	BOX BRN	ITEM RESTRICTION	DEPARTMENTS		CHANGE		LOGIC CODE	FUNCTION CODE	ADDITIONAL CODES	LINE NOS
									#1	2/STA	CD	AUTH				
0200AA	DOOR LH DUCT			1 1602466					0782	44			0000440025		M03810	2.59
0210AA	OUTLET ASM RH			2 1606800					0782	44			0000440030		M04050	2.51
0220AA	OUTLET ASM LH			2 1602464					0782	44			0000440035		M04150	2.53
0230AA	HOSE LH DUCT			* 8861477					0782	44			0000440040		M04800	2.55
0240AA	CLAMP DUCT HSE			2 9420907					0782	44			0007440045		M04850	2.57

P.M.V.S.S.	REFERENCE	2E06X00	MODEL YEAR 1978
		MODEL APPLICATION HEATER & A/C AIR SYSTEM PARTS	ORIGIN DATE 770712
		UPC DESCRIPTION	LAST CHG. DATE 770801
			LAST CHG. CODE EPRC
			70 1A2H A 3
			BY V. P. C. BPP PAGE

GMT 922 1/75



VIEW A
From Sht. 1

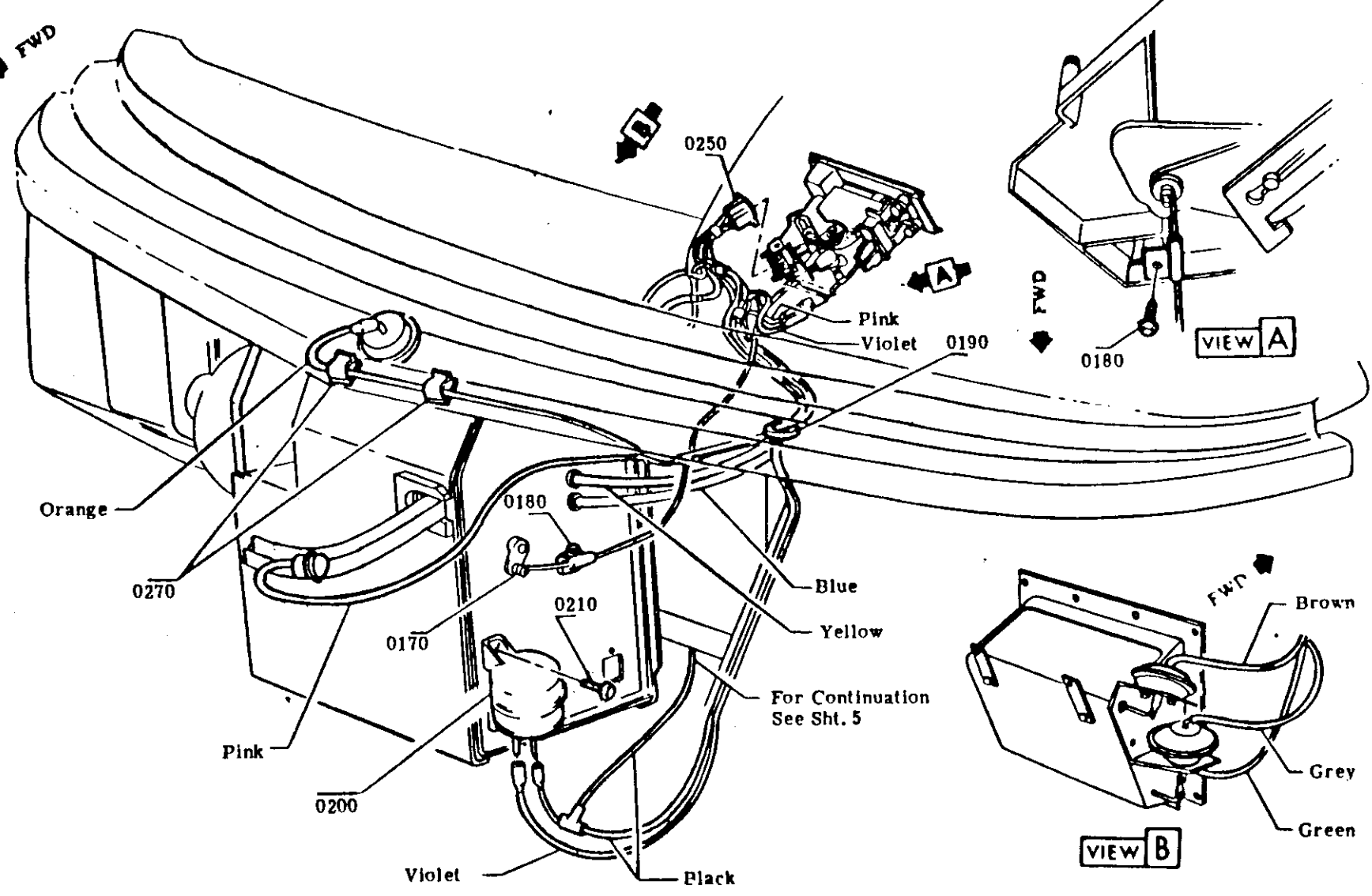


VIEW B
From Sht. 1

BY (Installation) - LPS	BY (Inspection) - LPS	DATE	SYM	REVISION	AUTH	DR	CR	DEPARTMENTS	TITLE
		4-23-77		ORIGINAL RELEASE	47000			GRIPPIN	78 TRUCK BOOK 70
									VACUUM ACTUATOR TO BOX ASM.
									HEATER & A/C CONT. PARTS
									DIVISION/LPC 1A2J SHEET 2

GMT 922 1/75

FWD



BY (Drawn) (Installation)-LPS	DATE	SYN	REVISION	AUTH	DR	CK	DEPARTMENT	78 TRUCK BOOK 70	
▲ ▲ ▲ ▲ ▲	6-23-77		ORIGINAL RELEASE	HJOC	BJR	GRiffin		TITLE VACUUM HARNESS	
								PART HEATER & A-C CONT. PARTS	
								DIVISION/UPC 1A2J	
								SHEET 4	

ITEM NO.	PART OR TOOL DESCRIPTION	ADD'L DATA	QTY	PART NUMBER	ENGINE CODES	SERIES	NO. OR BRK	ITEM RESTRICTION	DEPARTMENT		CHANGE		LOGIC CODE	FUNCTION CODE	ADDITIONAL CODES	QTY REQD	UNIT
									ST	Z/STA	CD	AUTH					
AA01014	HTR WRG INSTL			L6923					0782							0000	1.0
AA01014	HTR & DEF A/C			L6915					0782							0000	1.10
AA01024	HOSE & UTLT								0782							0000	1.1
AA03014	HTR & A/C CONT			L8449					0782							0000	1.1
AA03024	& INSTL								0782							0000	1.1
AA04014	HTR & A/C CONT			L8449					0702							0000	1.1
AA04024	& INSTL								0702							0000	1.1
00100AA	ACTUATOR A7C VAC		1	1998905					0782	34			0000390030			02230	1.2
00200AA	WASHER ACTUATOR		2	9421089					0782	34						02200	1.2
00300AA	WASHER LOCK		2	138479					0782	34						02200	1.2
00400AA	NUT VAC STUD		2	120361					0782	34						02200	1.2
00500AA	ACTUATOR HTR VAC		1	1998999					0782	34			0000390030			02230	1.2
00600AA	WASHER ACTUATOR		2	9421089					0782	34						02200	1.2
00700AA	WASHER LOCK		2	138479					0782	34						02200	1.2
00800AA	NUT VAC STUD		2	120361					0782	34						02200	1.2
00900AA	NUT VAC ACTR DR		1	3126659					0782	34						02230	1.2
01000AA	LINK VAC ALTR DR		1	2005280					0782	34			0000390040			02230	1.2
01100AA	RIVET DR LINK		1	655328					0782	34						02230	1.2
01200AA	RIVET DR LINK		1	134800					0782	34						02230	1.2
01300AA	NUT DR LINK		1	3126659					0782	34						02230	1.2
01400AA	CONT HTR & DEF		1	7898865					0782	44			0000440050			00000	1.5
01500AA	SC CONT TO DA		2	9437760					0782	44	61300					00000	1.5
01600AA	CBL ASM HTR CONT		1	2024060					0782	44			0000440050			00000	1.5
01700AA	SCREW CBL		2	9419663					0782	44						00000	1.5
01800AA	GRDM CONT CBL		1	678651					0782	44						00070	1.5

1				ZE06X00												MODEL YEAR IS 78	
2																ORIGIN DATE 11/0712	
3																LAST CHG DATE 771010	
4																LAST CHG CODE 1290	
5				MODEL APPLICATION HEATER & A/C CONT PARTS												70 1A2J A 1	
		REFERENCE		UPC DESCRIPTION												BK U. P. C. GMF PAGE	



PRODUCT DESCRIPTION MANUAL

ASSEMBLY INFORMATION

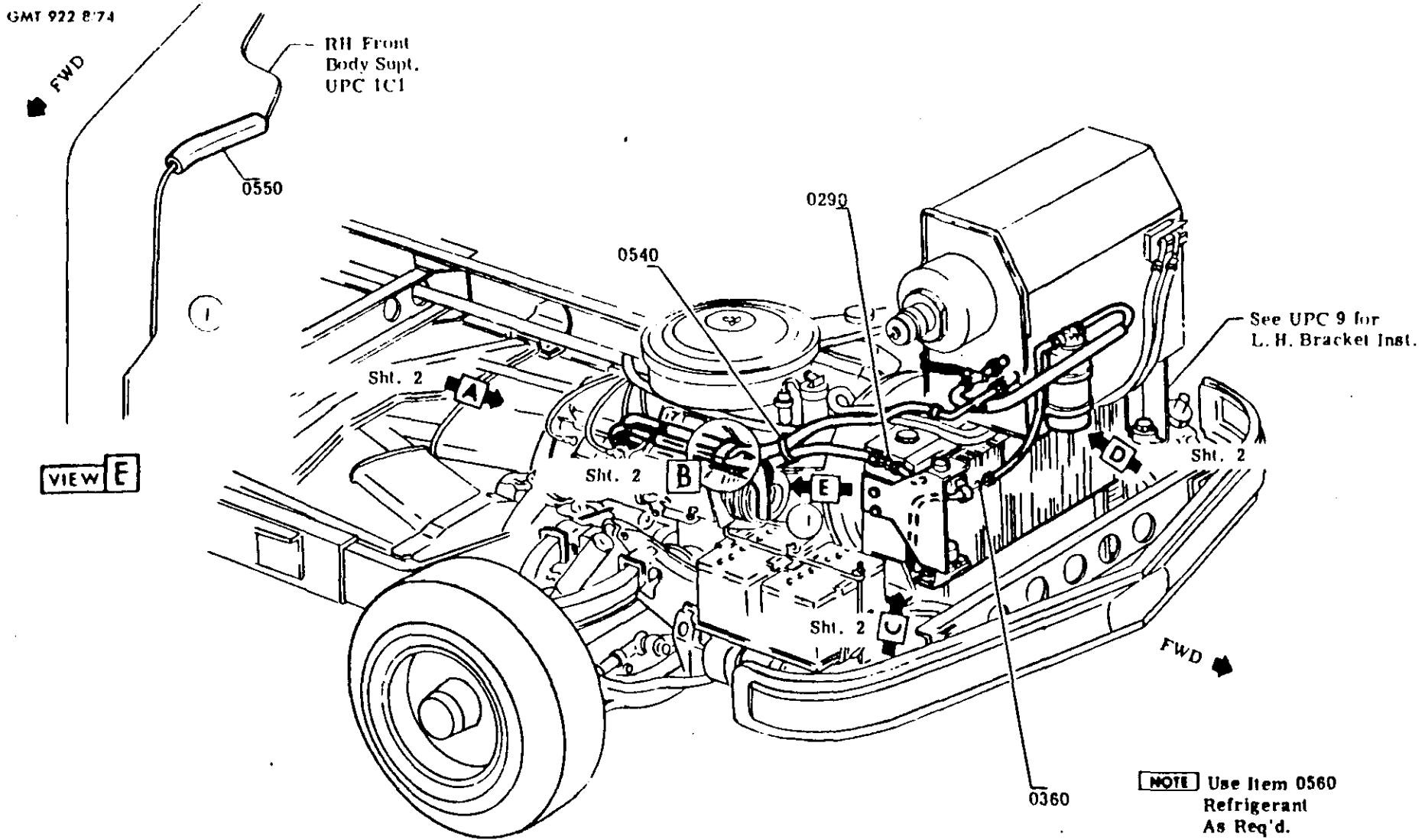
GMT 1081 REV. 8/78

GENE TRUCK & COACH

ITEM	S E D	PART OR TOOL DESCRIPTION	ADD'L DATA	Q T Y	PART NUMBER	ENGINE CODES	SERIES	BOX SYM	ITEM RESTRICTION	DEPARTMENTS		CHANGE		LOGIC CODE	FUNCTION CODE	ADDITIONAL CODES	LINE NOS
										BT	2/STA	CD	AUTH				
220	AA	TANK HTR VAC		1	385076					0702	7	REPR	0000	070090		M02000	1.57
021	AA	SCREEN HTR		2	9419303					0702	7					M02100	1.59
021	AA	HARK VAC HOSE		1	2005985					0782	42		0000	420075		M02600	2.2
023	AA	TEE HOSE HARK		1	406026					0782	42		0000	420090		M02620	2.4
023	AA	HOSE VAL TO TEE		1	417230					0782	42		0000	420095		M02830	2.6
020	AA	STRAP VAC HOSE		4	676543					0754	90		0000	900140		M03200	2.8
021	AA	CLIP HSE TO PLEN		2	708513					0782	42		0000	420085		M03210	2.10

F.M.V.S.S.	REFERENCE	2E06X00	MODEL YEAR 1978
		MODEL APPLICATION HEATER & A/C CONT PARTS	ORIGIN DATE 770712
		UPC DESCRIPTION	LAST CHG. DATE 770927
			LAST CHG. CODE REPRC
			70 1A2J A 2
			SK V. P. C. GMT PAGE

GMT 922 8/74



NOTE Use Item 0560 Refrigerant As Req'd.

DYNAMIC (Installation) - LBS	HAZARD (Inspection) - LBS	DATE	SYM	REVISION	AUTH	DR	ER	DEPARTMENTS	'78 TRUCK	BOOK 70
		5-74-77		ORIGINAL RELEASE	STEELE	WALKER	WALKER	THOMPSON	TITLE	
		8-74-77	1	VIEW E' ADDED					AIR CONDITIONING REFRIGERANT SYSTEM PARTS	
									NAME A C REFRIG. SYS. PARTS	
									DIVISION/UPC	
									1A2K	
									SHEET	1

ITEM	QTY	PART OR TOOL DESCRIPTION	ADD'L DATA	QTY	PART NUMBER	ENGINE CODES	SERIES	BOX BRK	ITEM RESTRICTION	DEPARTMENTS		CHANGE AUTH	LOGIC CODE	FUNCTION CODE	ADDITIONAL CODES	PNA	LINE NOS
										#1	2/STA						
AA01014		HTR & A/C INST		*	L8449					0752						99501	1.8
AA02014		A/C & HTR HOSE		*	L7854					0752						99501	1.10
AA03014		HTR & A/C INST		*	L8449					0782						99501	1.12
AA04014		A/C & HTR HOSE		*	L7854					0782						99501	1.14
AA05014		HTR & A/C INST		*	L8449					0702						1101	1.16
AA06014		A/C & HTR HOSE		*	L7854					0702						1101	1.16
0010AA		BRKT CNDSR MTG		1	790628					0752	69		0000690005			000100	1.20
0020AA		BOLY BRKT/RAD		2	9417950					0752	69					00200	1.22
0020AB		20:25 FT LBS								0752	69						1.23
0030AA		WA LR		2	103320					0752	69					00300	1.25
0050AA		CONDENSER ASM		1	303464					0752	69		0000690010			000400	1.27
0060AA		INSULATOR		4	397224					0752	69		0000690015			000500	1.29
0070AA		NUT 10:15 FT LBS		4	135988					0752	69					00700	1.31
0080AA		WASHER		4	9418304					0752	69					00800	1.33
0090AA		NUT 10:15 FT LBS		4	9422275					0752	69					00700	1.35
0200AA		DEHYDRATOR ASM		1	3012944					0702	7	REPR	0000070070			0200	1.37
0210AA		BRKT DEHYDR MTG		2	710001					0702	7		0000070075			02100	1.39
0220AA		SC 25:35 FT LBS		2	9419380					0702	7					00950	1.41
0250AA		HSE A/C COMP		1	2017078					0702	7		0000070080			01100	1.43
0260AA		BOLY HSE/COMP		1	9423180					0702	7					01200	1.45
0260AB		10:25 FT LBS								0702	7						1.46
0270AA		WA LR		1	103321					0702	7					01300	1.48
0280AA		O RING HOSE		1	3140744					0752	59		0000590060			001500	1.50
0281AA		NOTE1 TORQUE NUT AT ITEM #0280 (O RING)								0752	59						1.52
0290AA		O RING HOSE		1	3140600					0752	69		0000690020			001400	1.54
0291AA		NOTE1 TORQUE NUT AT ITEM #0290 (O RING)								0752	69						1.56

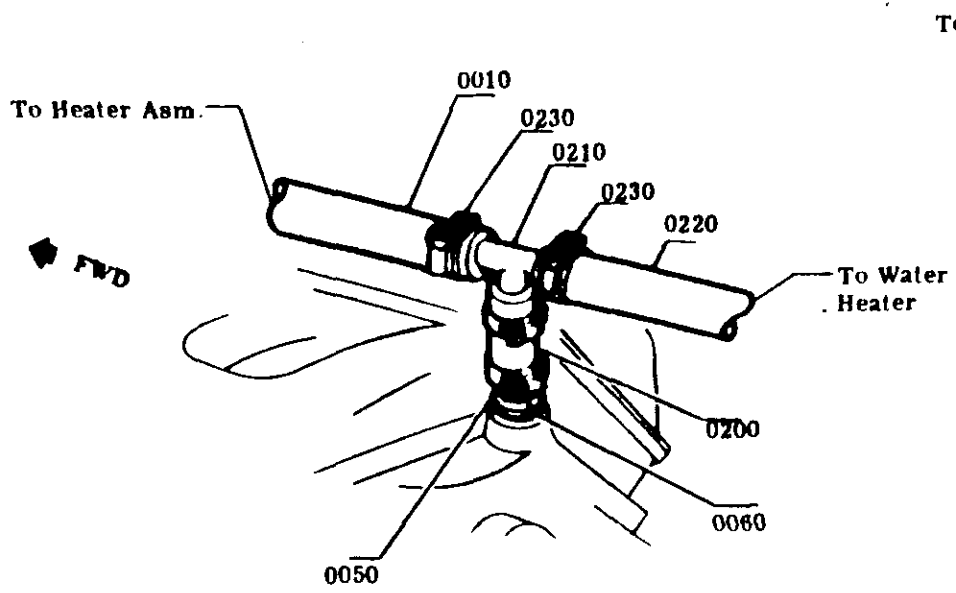
1																	
2																	
3																	
4																	
5																	
F.M.V.S.S.																	

7E06X00
 MODEL APPLICATION
 AIR CONDITIONING REFRIGERANT SYSTEM PARTS
 UPC DESCRIPTION
 MODEL YEAR 1978
 ORIGIN DATE 770712
 LAST CHG. DATE 770801
 LAST CHG. CODE REPRC
 70 1A2K A 1
 BK V. P. C. QM PAGE

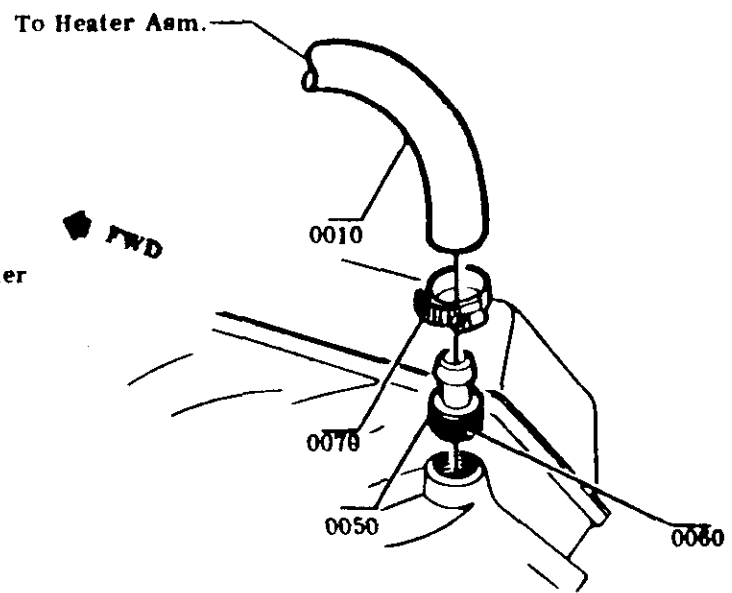
ITEM	PART OR TOOL DESCRIPTION	ADD'L DATA	QTY	PART NUMBER	ENGINE CODES	SE RIFS	REV BPN	ITEM RESTRICTION	DEPARTMENTS		CHANGE		LOGIC CODE	FUNCTION CODE	ADDITIONAL CODES	LINE NOS
									PT	Z/STA	CD	AUTH				
0300AA	HOSE A/C LUMP		1	2024931					0782	41			0000410045		M01100	1.50
0310AA	CLIP COMP HSE		1	6526398					0702	7			0000070085		M01400	2.1
0311AA	NOTE: TORQUE NUTS AT ITEM			40310	(O RING)	11:13	FT LBS.		0782	41						2.3
0312AA	CLIP		2	3140748					0752	59			0000590065		M01500	2.5
0320AA	HSE DRYD/COND		1	2000385					0752	69			0000690025		M01510	2.7
0320AA	L RING HOSE		2	6526398					0752	69			0000690030		M01520	2.9
0321AA	NOTE: TORQUE NUTS AT ITEM			40360	(O RING)	11:13	FT LBS		0752	69						2.11
0370AA	ERRT HS & COND		1	653296					0752	69			0000690035		M01540	2.13
0371AA	NOTE: ATTACH WITH EXISTING A/C CONDENSER MTG HDW.								0752	69						2.15
0380AA	CLIP HSE/ERRT		1	6076975					0752	69			0000690040		M01525	2.11
0390AA	BUIT CLIP/ERRT		1	9417950					0752	69					M01560	2.19
0400AA	NUT		1	9422275					0752	69					M01580	2.21
0400AA	95:145 IN LBS								0752	69						2.22
0400AA	ERRT HSE & COND		1	653296					0752	69			0000690045		M02000	2.24
0401AA	NOTE: ATTACH BRACKET WITH A/C COMP MTG HDW.								0752	69						2.26
0410AA	CLIP HSE & COND		2	2005403					0752	63			0000630045		M01700	2.28
0520AA	BUIT CLIP/ERRT		1	9417950					0752	63					M01800	2.30
0530AA	NUT 10:20 FT LBS		1	9417954					0752	63					M01900	2.32
0540AA	STRAP A/C HSE		1	676543					0752	69			0000690050		M01600	2.34
0550AA	GUARD COMP HSE		1	2017286					0752	69			0000690052		M02050	2.36
0560AA	REFRIGERANT A/C		*	9985016					0754	90					M05000	2.38

REV	REFERENCE	2E04X00	MODEL YEAR 1978
		MODEL APPLICATION	ORIGIN DATE 770712
REV	REFERENCE	AIR CONDITIONING REFRIGERANT SYSTEM PARTS	LAST CHG DATE 770927
		UPC DESCRIPTION	LAST CHG CODE REPRC
REV	REFERENCE		70 1A2K A 2
REV	REFERENCE		SK. V. P. C. GMP PAGE

GMT 42 1-79



VIEW D
W Pre Heater
From Sht. 1



VIEW D
W/O Pre Heater
From Sht. 1

NOTE
Wipe 0060 Sealer
on all Threads

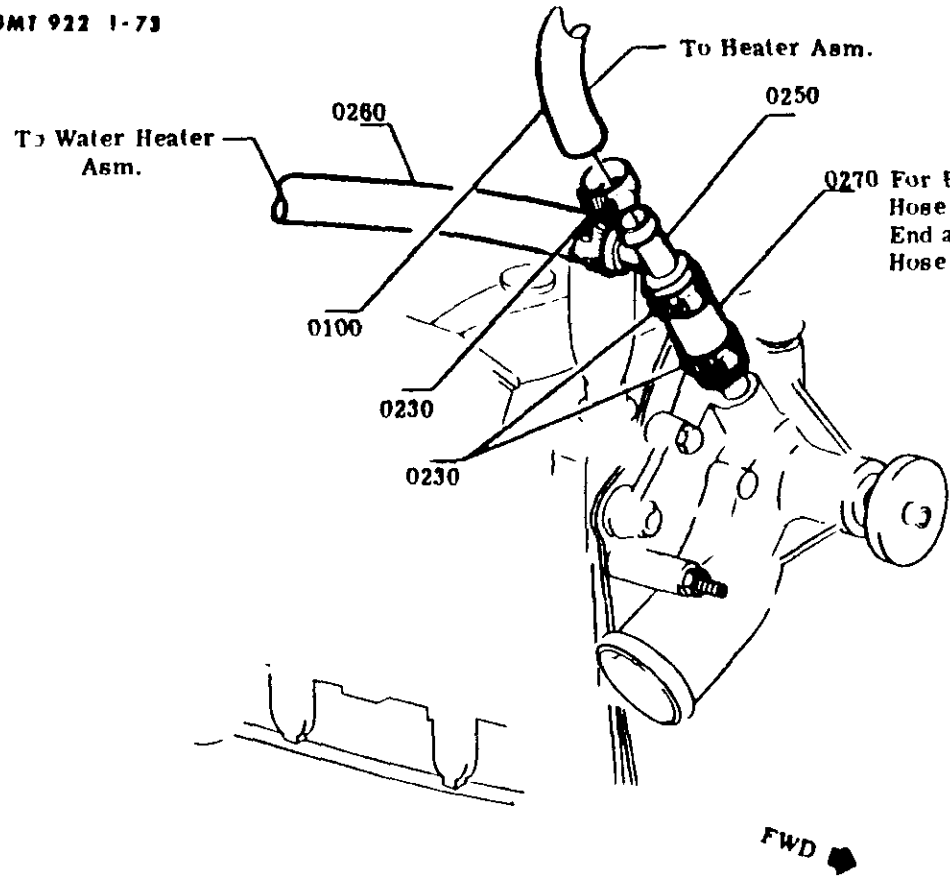
NOTE
For RPO VXA Cut Hose 0010
Approx. 3.00" from End and
Install Tee and Hose Clamps.

BY/CHK (Instruction) - LBS	DATE	SYM	REVISION	AUTH	DR	EX	DEPARTMENTS	78 TRUCK	BOOK 70
▲ ▲ ▲ ▲	6/27/77		DISMANTLE RELEASE	47000	SL	SL	Thompson	TITLE HEATER HOSE TO ENGINE	
								MARKETRY WAY	
								SYSTEM	1A2L
								PARTS	SHEET 2

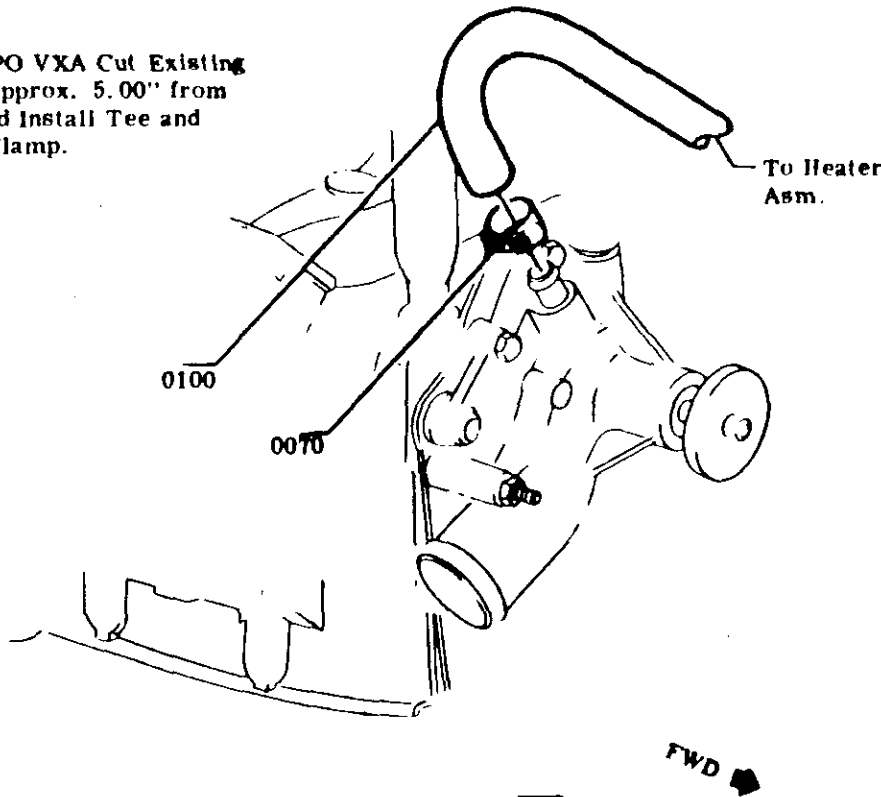


□ ITEM REFERENCE ◇ PROCESS MATERIAL △ TORQUE ▣ PART OF OR EXISTING

GMT 922 1-73



VIEW C
With Pre Heater
From Sht. 1

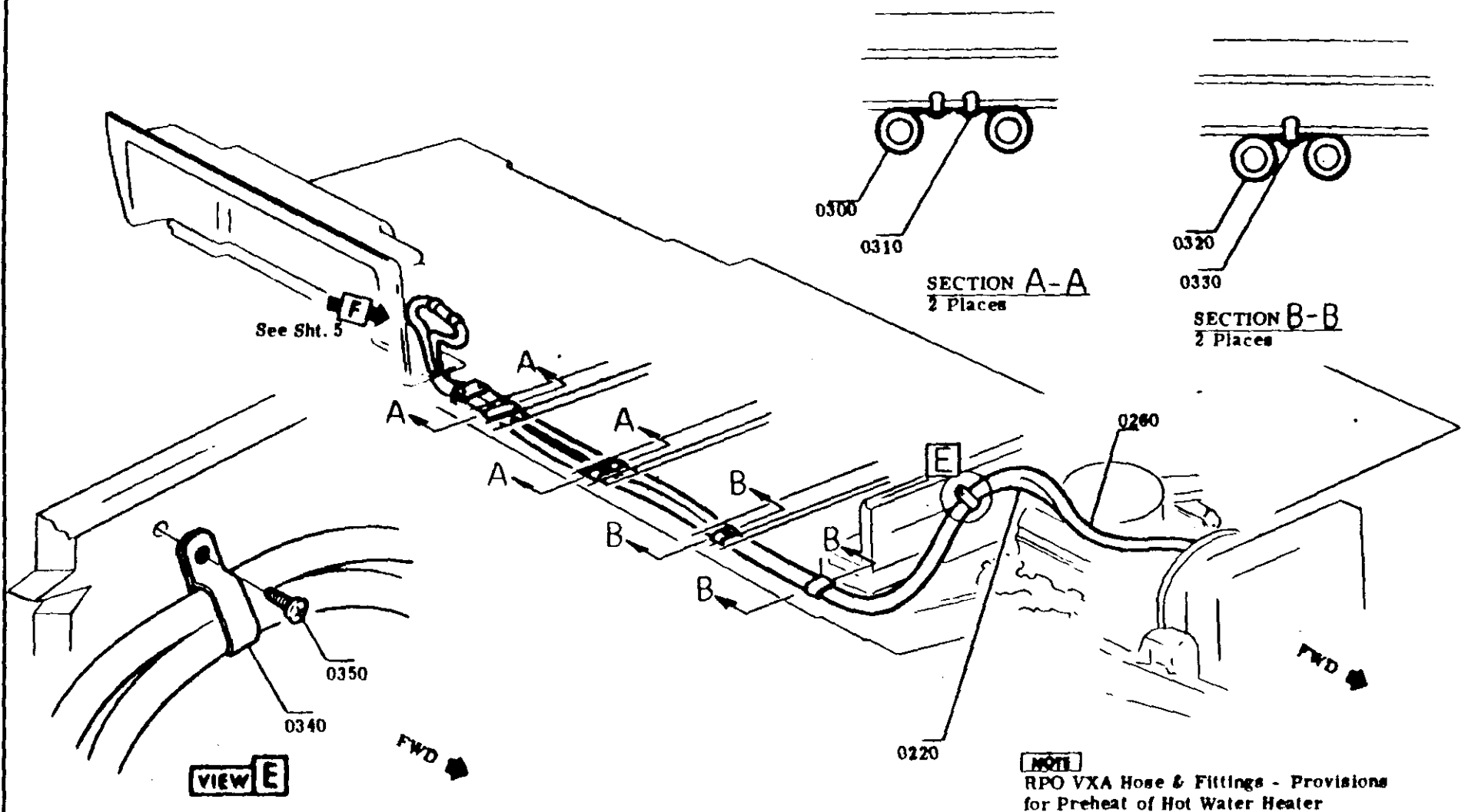


VIEW C
W/O Pre Heater
From Sht. 1

BY/CHK (Instruction) - LBS	DATE	SYM	REVISION	AMTH	DR	CR	DEPARTMENTS
▲	6/77		ORIGINAL RELEASE	47000	3		THAPLOD
▲							
▲							
▲							
▲							

70 TRUCK		BOOK 70	
TITLE HEATER HOSE TO PUMP			
ENGINE HT. WAT. SYSTEM PARTS	DISPOSITION 1A2L	SHEET 3	

GM 1-73



BY (Installation) - LPS	NAME (Inspection) - LPS	DATE	SYM	REVISION	AUTH	DO	EN	DEPARTMENTS
		6/27		ORIGINAL RELEASE	47000	J. J.		THOMPSON

70 TRUCK **BOOK 70**
 TITLE
 HOT WATER PREHEAT HOSE & SUPT. BKT.
 MAKE HTR. WHT SYSTEM PARTS DIVISION **LA2L** SHEET **4**

PRODUCT DESCRIPTION MANUAL

ASSEMBLY INFORMATION

GMT 1081 REV. 8/78

GM TRUCK & COACH

ITEM	QTY	PART OR TOOL DESCRIPTION	ADD'L DATA	QTY	PART NUMBER	ENGINE CODES	SERIES	BOY	ITEM RESTRICTION	DEPARTMENTS		CHANGE		LOGIC CODE	FUNCTION CODE	ADDITIONAL CODES	A	LINE NOS
										#1	2/51A	CD	AUTH					
AA01014		HTR HSE & A/C		*	L4424				STD 01 & 03/VXA	0752							99508	1.8
AA01014		HTR HSE & A/C		*	L4424				STD 01 & 03/VXA	0764							99508	1.10
AA01014		HTR HSE & A/C		*	L8444				STD 03 77 INTERM	0752							99508	1.12
AA01014		HTR HSE & A/C		*	L8444				STD 03 77 INTERM	0784							99508	1.14
AA01014		HTR HSE & A/C		*	L7854				STD 03	0752							99508	1.16
AA01014		HTR HSE & A/C		*	L7854				STD 03	0784							99508	1.18
AA10014		HOT WAT PREHEAT & INSTL		*	L6621				STD 01 & 03/VXA	0752							99511	1.20
AA10024										0752								1.21
AA10014		HTR HSE & A/C		*	L6621				STD 01 & 03/VXA	0764							99511	1.23
AA10024										0784							99511	1.24
AA10014		HTR WRG INSTL		*	L3875			83		0752							99509	1.26
AA10014		HTR WRG INSTL		*	L3875			83		0764							99509	1.28
AA10014		HTR & A/C PLNM & CONT		*	L3864			83		0752							99510	1.30
AA10024										0752							99510	1.31
AA10014		HTR & A/C PLNM & CONT		*	L3864			83		0784							99510	1.33
AA10024										0784								1.34
AA10014		SANITARY & FRESH WAT FLOPS INSTL		*	L7095				H3VXA	0752							99520	1.36
AA10024										0752								1.37

ZE06X00

MODEL APPLICATION
WATER HEATER SYSTEM PARTS
UPC DESCRIPTION

MODEL YEAR 1978
ORIGIN DATE 770713
LAST CHG DATE 770927
LAST CHG CODE

70 1A2L A 1
BK V. P. C. QRF PAGE

REFERENCE



PRODUCT DESCRIPTION MANUAL

GMT 1061 REV 8/78

GMC TRUCK & COACH

ASSEMBLY INFORMATION

ITEM	PART OR TOOL DESCRIPTION	ADD'L DATA	QTY	PART NUMBER	ENGINE CODES	SERIES	BODY PRM	ITEM RESTRICTION	DEPARTMENTS		CHANGE		LOGIC CODE	FUNCTION CODE	ADDITIONAL CODES	PNA	LINE NOS	
									#1	2/STA	CD	AUTH						
AA2001	SANITARY & FRESH		*	L7095				83VXA	0784							99520	1.39	
AA2002	WAT PLUMB INSTL								0784							99520	1.40	
UC200A	HSE HTR SUPPLY	75 IN	*	R37158					0752	63			0000630100			M00100	1.43	
UC200B	HSE HTR SUPPLY	75 IN	*	R37158				63-VXA	0752	63			3663630100			M00100	1.44	
UC200C	HSE HTR SUPPLY	75 IN	*	R37158				83VXA	0752	63			3471630100			M00100	1.45	
UC200D	HSE SPLY W RAD	9 IN	*	R37158					0752	63						M00150	1.47	
UC200E	VALVE HTR WAT		1	494192					0752	63			0000630105			M03400	1.49	
UC200F	CLAMP HS W VLV		2	2467789					0784	62			0000625005			M10310	1.51	
UC200G	2024 III LBS								0784	62								1.52
UC200H	NIP SPLY HS/ENG		1	793852					0752	61			0000610005			M02600	1.54	

MODEL APPLICATION WATER HEATER SYSTEM PARTS UPC DESCRIPTION	MODEL YEAR 1978 ORIGIN DATE 770713 LAST CHG DATE 770927 LAST CHG CODE
	70 1A2L A 2 DE W. P. S. SUP PAGE
	ZE06X00

F M V S S

REFERENCE



PRODUCT DESCRIPTION MANUAL
ASSEMBLY INFORMATION

GMP 1081 REV 3/78

ITEM	QTY	PART OR TOOL DESCRIPTION	ADD'L DATA	QTY	PART NUMBER	ENGINE CODES	SERIES	BOY BARK	ITEM RESTRICTION	DEPARTMENTS		CHANGE		LOGIC CODE	FUNCTION CODE	ADDITIONAL CODES	LINE NOS	
										01	2-51A	LD	AUTH					
00204A	1	SCALE NIPPLE	AS REQD	1	5985235					0752	61						02610	1.58
00204A	2	CLAMP SPLY HSE		2	2467784					0784	66			0000665065			M03620	1.58
00204A		CLAMP 1/2 LBS								0784	66							1.59
00204A	1	HSE HTR NET	24 IN	1	R 36487					0752	63			0000630110			M01300	2.2
00204A	1	HSE HTR NET	24 IN	1	K 36487					0752	63			3663630110			M01300	2.3
00204A	1	HSE HTR NET	24 IN	1	K 36487					0752	63			3471630110			M01300	2.4
00204A	2	CLAMP HLT HSE		2	2467784					0752	63			0000630115			M03620	2.6
00204A		CLAMP 1/2 LBS								0752	63							2.7
00204A	1	STRAP S L K HSE		1	676543					0784	66			0000665070			M02620	2.9
00204A	2	CLAMP S L K HSE		2	793887					0754	87			0000870027			M10310	2.13
00204A		NOTE: CLAMP IS ATTACHED BY EXISTING FASTENERS.								0754	87							2.13
00204A	1	HSE PREHEAT/NIP	3 IN	1	K 37158					0752	63							2.18
00204A	1	HSE PREHEAT/NIP	3 IN	1	K 37158					0752	63							2.18
00204A	1	TEE PREHEAT SPLY		1	2464966					0752	63			0000630120			M05020	2.18
00204A	1	TEE PREHEAT SPLY		1	2464966					0752	63			3471630120			M05020	2.19
00204A	1	HSE PREHEAT SPLY	2 1/2 IN	1	0861306					0784	62			0000625010			M05040	2.21
00204A	1	HSE PREHEAT SPLY	2 1/2 IN	1	0861306		65			0784	62			3471625010			M05040	2.22
00204A	1	HSE PREHEAT SPLY	1 3/8 IN	1	0861306		60			0784	62			3471625010			M05040	2.22
00204A	3	CLAMP FUSE		3	2467789					0784	62			0000625015			M03620	2.24
00204A	3	CLAMP FUSE		3	2467789					0784	62			3471625015			M03620	2.24

1 2 3 4 5 6 F.M.V.S.S.	ZE06X00										MODEL YEAR 1978						
											ORIGIN DATE 770713						
											LAST CHG. DATE 770927						
										LAST CHG. CODE							
										70 1A2L A 3							
										BK. V. P. C. GMP PAGE							

REFERENCE

MODEL APPLICATION
WATER HEATER SYSTEM PARTS
UPC DESCRIPTION

TRUCK BODY DESCRIPTION MANUAL

ASSEMBLY INFORMATION

GMT 1001 REV. 8/78

GM TRUCK & COACH

ITEM	PART OR TOOL DESCRIPTION	ADD'L DATA	QTY	PART NUMBER	ENGINE CODES	SERIES	REV. OR PART	ITEM RESTRICTION	DEPARTMENTS		CHANGE		LOGIC CODE	FUNCTION CODE	ADDITIONAL CODES	LINE NOS.
									#1	2/5TA	CD	AUTH				
0250AA	TEE PREHEAT RET		1	711541			81		0752	63			0000630125			2.2
0250AC	TEE PREHEAT RET		1	711541			83VXA		0752	63			3471630125			2.2
0260AA	HSE PREHEAT RET	240 IN	*	8861306			81		0784	62			0000625025			2.3
0260AC	HSE PREHEAT RET	240 IN	*	8861306			65	83VXA	0784	62			3471625025			2.3
0260AD	HSE PREHEAT RET	240 IN	*	8861306			60	83VXA	0784	62			3471625025			2.3
0270AA	HS TEE @ WA PMP	5 IN	1	R 36487			81		0752	63			0000630130			2.3
0270AC	HS TEE @ WA PMP	5 IN	1	R 36487			83VXA		0752	63			3471630130			2.3
0300AA	CLIP PREHEAT HSE		6	120529			81		0784	66			0000665075			2.3
0300AC	CLIP PREHEAT HSE		6	120529			83VXA		0784	66			3471665075			2.3
0310AA	RIVET HOSE CLIP		4	700368			81		0784	66						2.4
0310AC	RIVET HOSE CLIP		4	700368			83VXA		0784	66						2.4
0320AA	CLIP PREHEAT HSE		2	120529			81		0784	66			0000665080			2.4
0320AC	CLIP PREHEAT HSE		2	120529			83VXA		0784	66			3471665080			2.4

1		2E06X00	
2			MODEL YEAR 1978
3			ORIGIN DATE 770713
4			LAST CHG. DATE 771010
5			LAST CHG. CODE
6			70 1A2L A 4
7			BK U. P. C. GMP PAGE
8	REFERENCE	MODEL APPLICATION	
9		WATER HEATER SYSTEM PARTS	
10		UPC DESCRIPTION	

ASSEMBLY INFORMATION

ITEM #	QTY	PART OR TOOL DESCRIPTION	ADD'L DATA	QTY	PART NUMBER	ENGINE CODES	SERIES	BODY BRK	ITEM RESTRICTION	DEPARTMENTS		CHANGE		LOGIC CODE	FUNCTION CODE	ADDITIONAL CODES	LINE NOS
										#1	#2/51A	CD	AUTH				
0320AA	2	RIVET HOSE CLIP		2	700368			81		0784	66					65090	2.47
0320AA	2	RIVET HOSE CLIP		2	700368			83VXA		0784	66						2.48
0340AA	1	CLIP PREHEAT HSE		1	698319			81		0784	66		0000665085		M65080	2.50	
0340AA	1	CLIP PREHEAT HSE		1	698319			63VXA		0784	66		3471665085		M65080	2.51	
0320AA	1	SC HOSE CLIP		1	9416844			81		0784	66					65100	2.53
0320AA	1	SC HOSE CLIP		1	9416844			63VXA		0784	66					65100	2.54
0320AA	1	BRKT HSES/FLOOR		1	2005069			81		0784	66		0000665090		M12025	2.56	
0320AA	1	BRKT HSES/FLOOR		1	2005069			63VXA		0784	66		3471665090		M	65170	2.57
0320AA	2	RIVET BRKT/FLOOR		2	700368			81		0784	66					65180	2.58
0320AA	2	RIVET BRKT/FLOOR		2	700368			63VXA		0784	66					65180	3.1
0320AA	2	GRUM HSE & BRKT		2	2317218			81		0784	66					65190	3.3
0320AA	2	GRUM HSE & BRKT		2	2317218			63VXA		0784	66					65190	3.4
0320AA	2	GRUM HSE & FLOOR		2	2006147			81		0784	66					65150	3.6
0320AA	2	GRUM HSE & FLOOR		2	2006147			63VXA		0784	66					65150	3.7
0400AA	3	STRAP HSE/HSE		3	8877976			81		0784	66		0000665095		M		3.9
0400AA	3	STRAP HSE/HSE		3	8877976			63VXA		0784	66		3471665095		M		3.10
0320AA	1	NIPPLE S & R HSE		1	2003223			63VXA		0784	66		3471665055		M		3.12
0320AA	2	CLAMP HSE & NIP		2	2467789			81		0784	66		0000665060		M63620		3.15
0320AA	2	CLAMP HSE & NIP		2	2467789			63VXA		0784	66		3471665060		M		3.15

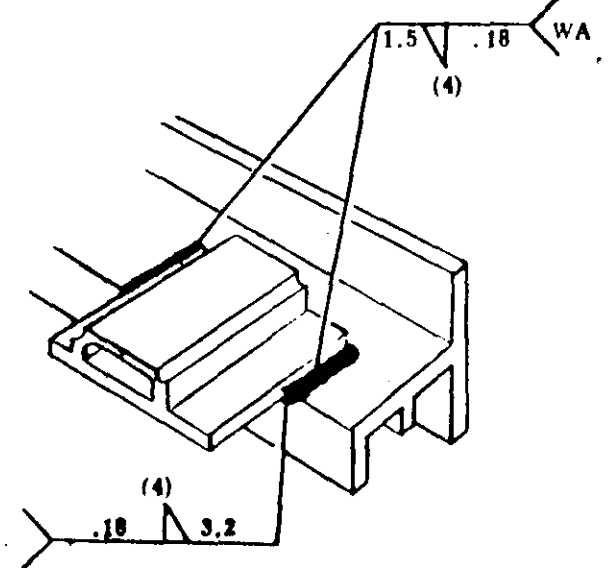
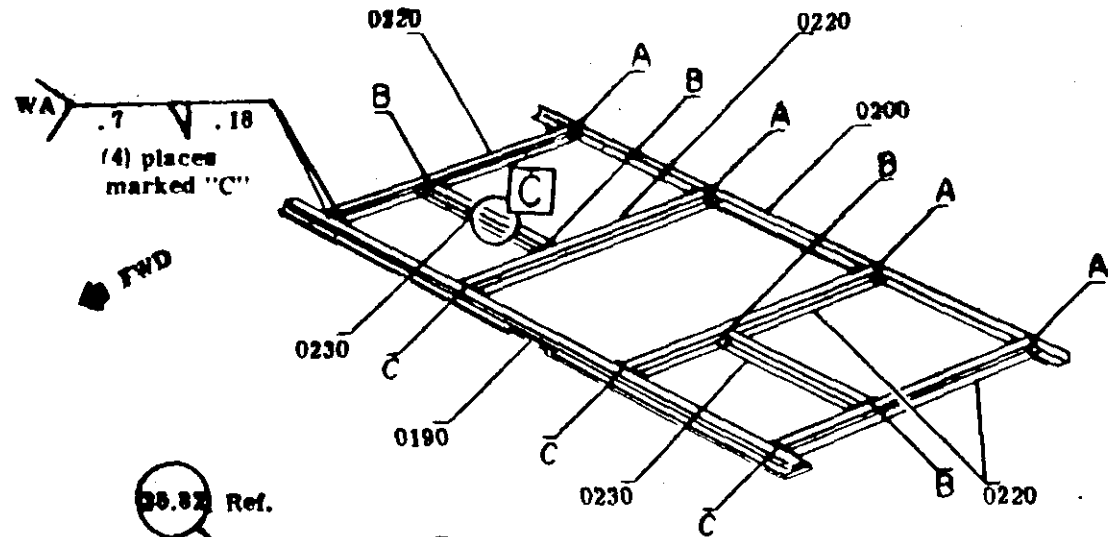
1 2 3 4 5 6 F.M.V.S.S.	ZEO0X00										MODEL YEAR 1978	
											ORIGIN DATE 770713	
											LAST CHG DATE 770927	
											LAST CHG. CODE	
MODEL APPLICATION										70 1A2L A 5		
WATER HEATER SYSTEM PARTS										BK. V. P. C. GMP PAGE		
UPC DESCRIPTION												



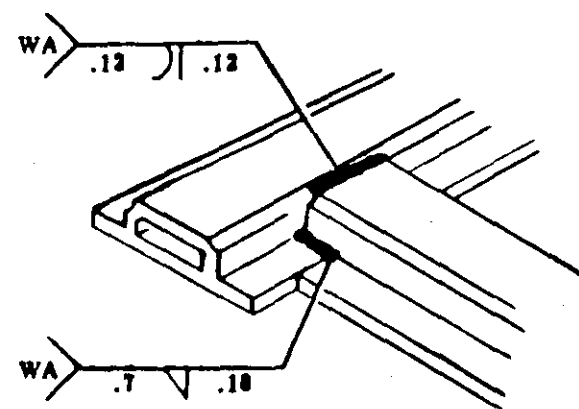
ITEM	E	Q	PART OR TOOL DESCRIPTION	ADD'L DATA	QTY	PART NUMBER	ENGINE CODES	SERIES	BODY FRM	ITEM RESTRICTION	DEPARTMENTS		CHANGE CD	AUTH	LOGIC CODE	FUNCTION CODE	ADDITIONAL CODES	LINE NOS
											01	2 STA						
0Y10AA			STRUT PANEL LH		1	706018					0752	67			000067005		M14500	5-14
0Y20AA			STRUT PANEL RH		1	706017					0752	67			000067006		M14600	5-14
0Y30AA			BULT LNK PNL		4	451976					0754	90					M14700	5-23
0Y40AA			WA PNL BULT		8	9421042					0754	90					M14800	5-23
0Y50AA			WVT PNL BULT		4	9418931					0754	90					M14900	5-23
1000AA			PNL UA INSL LH		1	2012689					0782	39			000039004		M14925	5-23
1010AA			PNL UA INSL LH		1	721353					0782	39			000039005		M14925	5-23
1020AA			PNL UA INSL RH		1	2005007					0782	39			000039005		M14950	5-23
1030AA			PNL UA INSL RH		1	2005006					0782	39			000039006		M14950	5-23
1040AA			INSUL DR FLR		1	721352					0782	39			000039005		M14975	5-23
1050AA			ADHESIVE	AS KEHL	*	9985139					0782	39					M15000	5-23
1060AA			ADHESIVE BOUT		*	8860766					0702	9					M15025	5-23
1070AA			SEAL,UA PNL		2	2034447					0782	39	254560000	390052			M15100	5-23
1080AA			SEAL,UA PNL		2	2034448					0782	39	254560000	390054			M15100	5-23

F.M.V.S.S.	REFERENCE	ZE06X00	MODEL YEAR 1978 ORIGIN DATE 770714 LAST CHG. DATE 770919 LAST CHG. CODE 25456
		MODEL APPLICATION BODY FRM FRAME UPC DESCRIPTION	70 1L2A A 6 BK. V. P. C. SHP PAGE

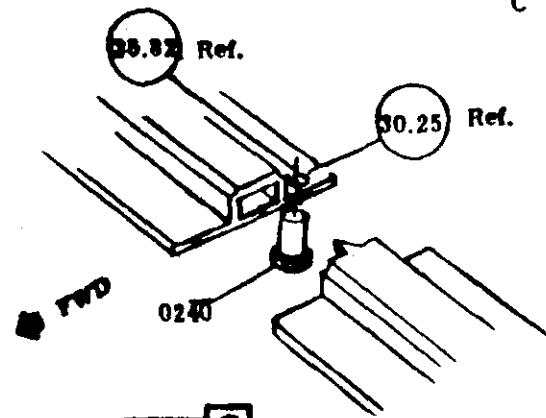
GMT 922 1-73



WELD SECT. A



WELD SECT. B

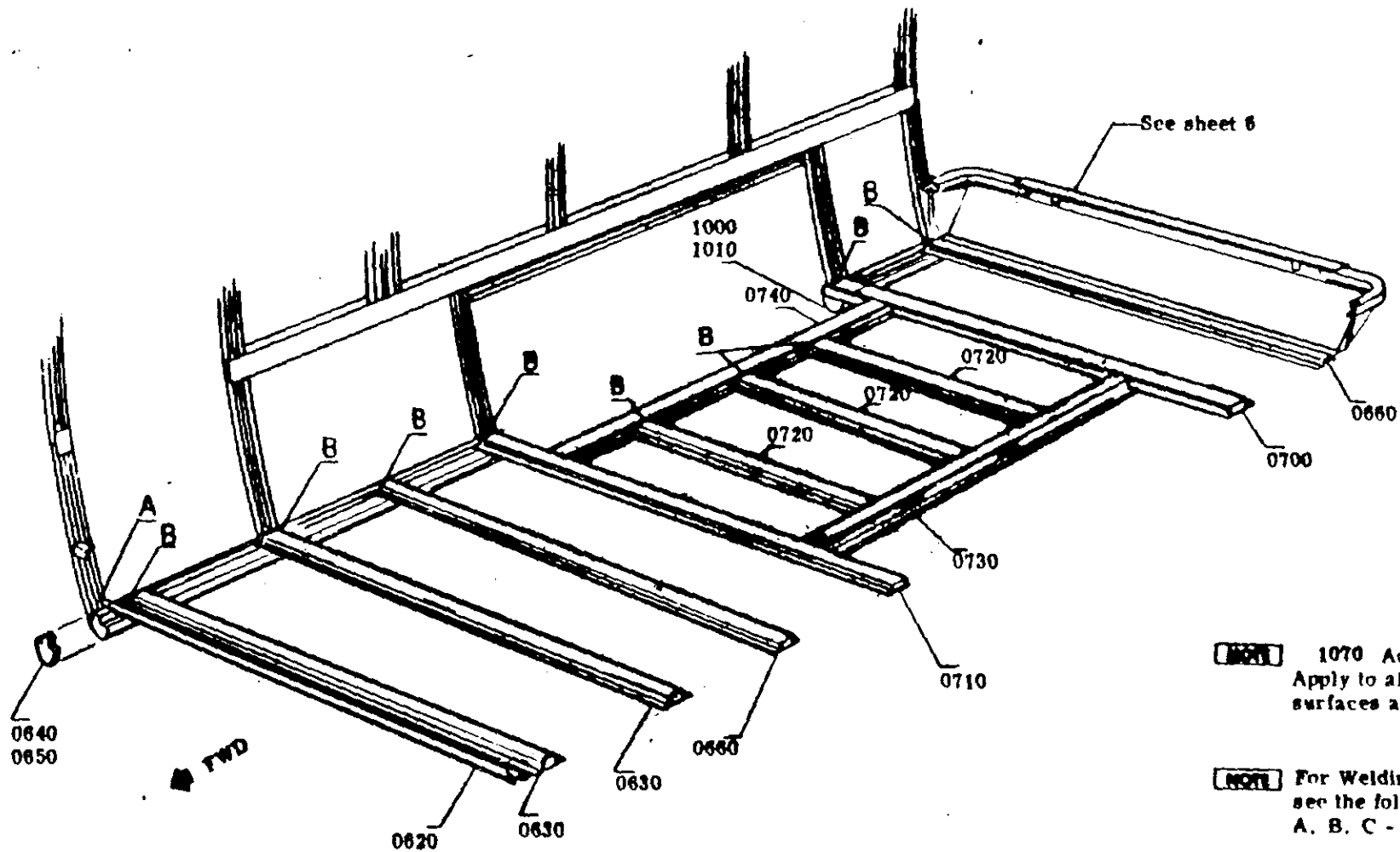


VIEW C
Symm. RH/LH

DATE	SYN	BY	CHK	APP	REV	REVISION	TRUCK	BOOK
7-5-77						ORIGINAL RELEASE	78	78

78 TRUCK BOOK 78
TYPE
FLOOR FRAME - FRONT
HARRIS 10 1

12 1-73



NOTE 1070 Adhesive
Apply to all faying surfaces as req'd.

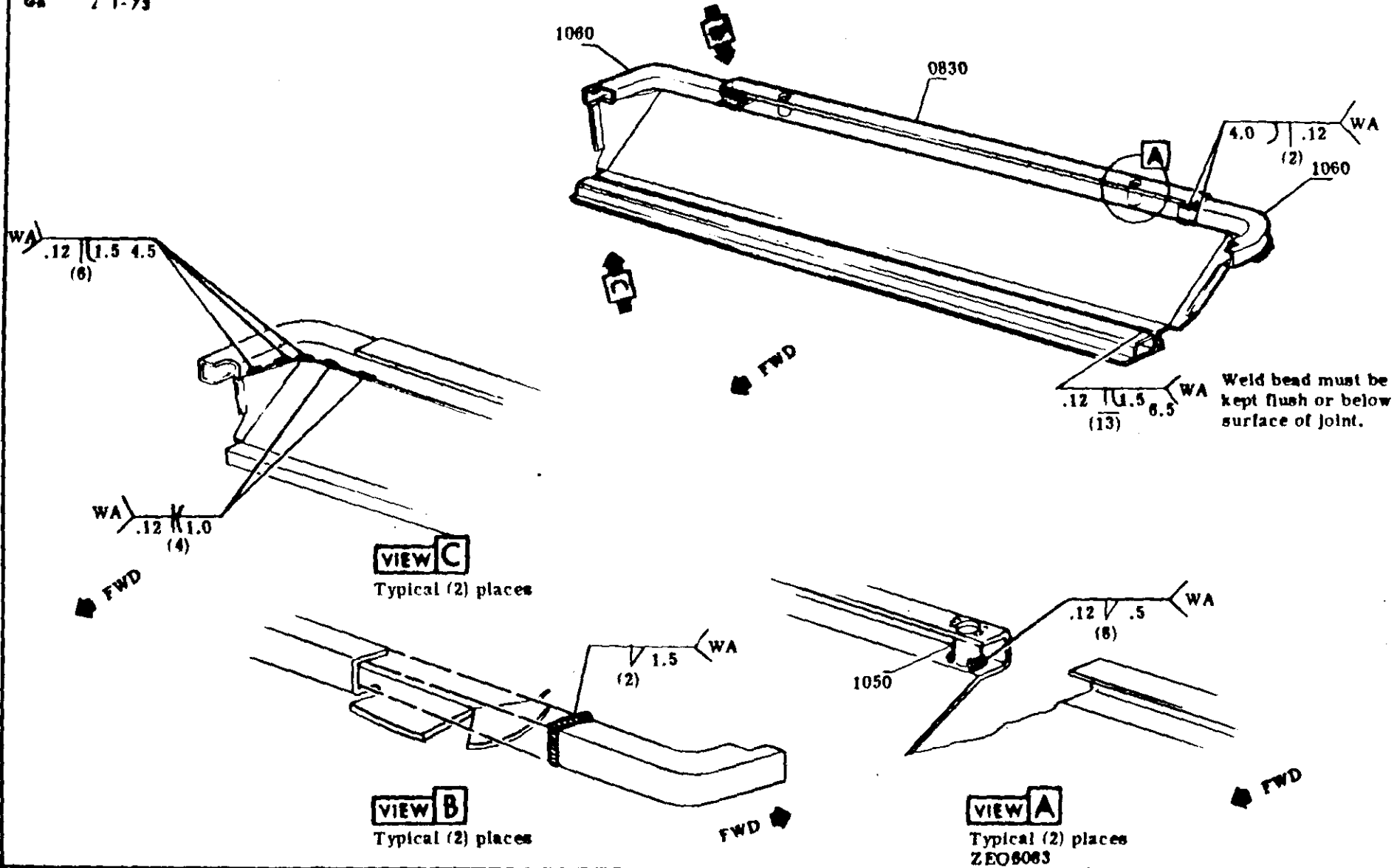
NOTE For Welding Sections see the following:
A, B, C - Sheet 5

DATE	BY	REVISION	APPROVED BY	DATE	TITLE	BOOK
7/5/77		ORIGINAL RELEASE	47860	CT	TRUCK	BOOK 70
					MAIN FLOOR FRAME	
					23 FT. VEHICLE	
					AMENDMENT	3

PRODUCT DESCRIPTION MANUAL

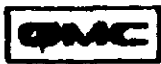
ITEM REFERENCE PROCESS MATERIAL TORQUE PART OF OR EXISTING

GA 2 1-78

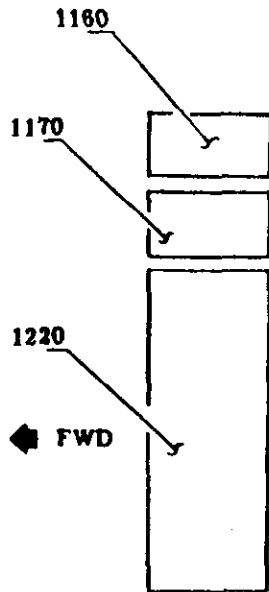


SYMBOL (Description) - (QTY)	QUANTITY (Inspection) - (QTY)	DATE	SYMBOL	REVISION	DATE	BY	CHK	DEPARTMENT
				ORIGINAL RELEASE	3/3/77	H. BRIDGES		

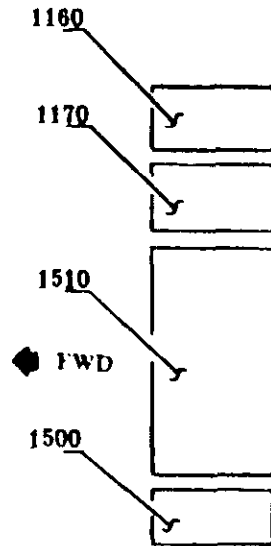
178 TRUCK		BOOK 70
TITLE PANEL MAIN FLOOR - REAR		
GROUP UNDERBODY	SYMBOL K	SHEET 6



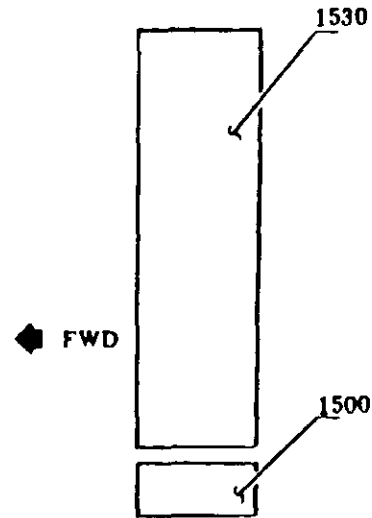
GMT 922 1/75



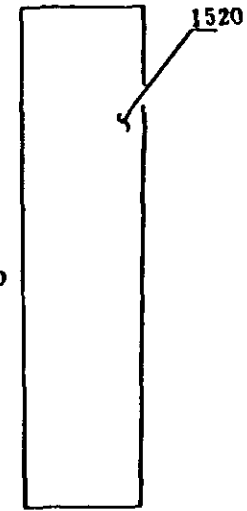
STD.



RPO APN



RPO APN & APP

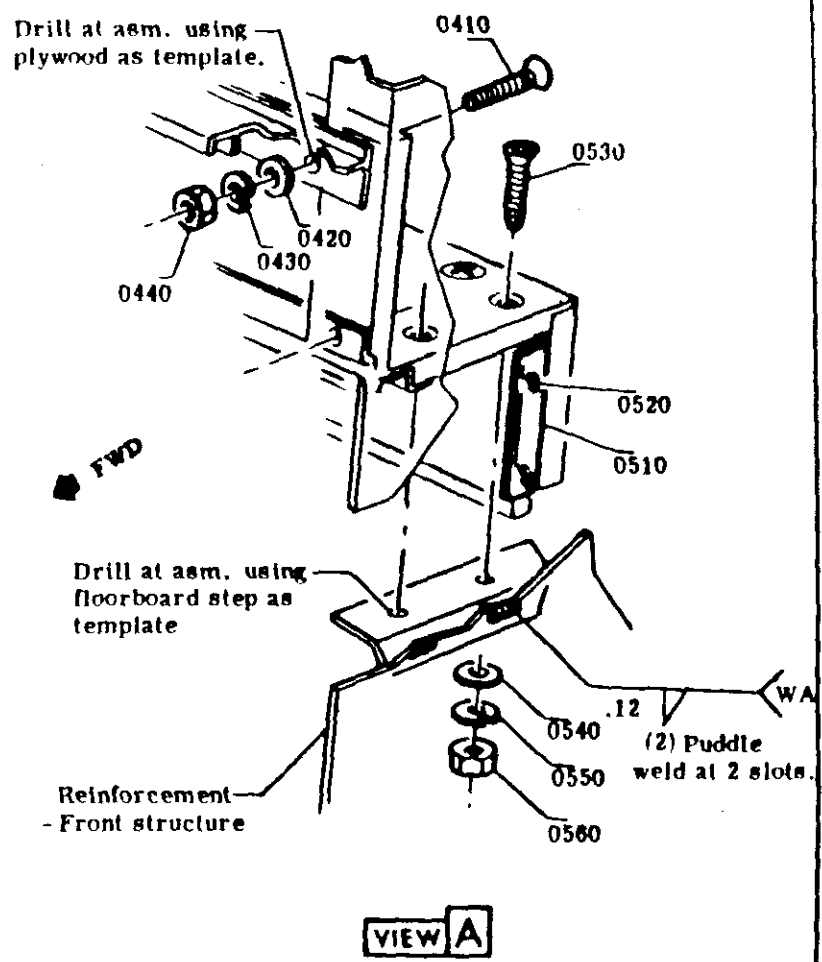
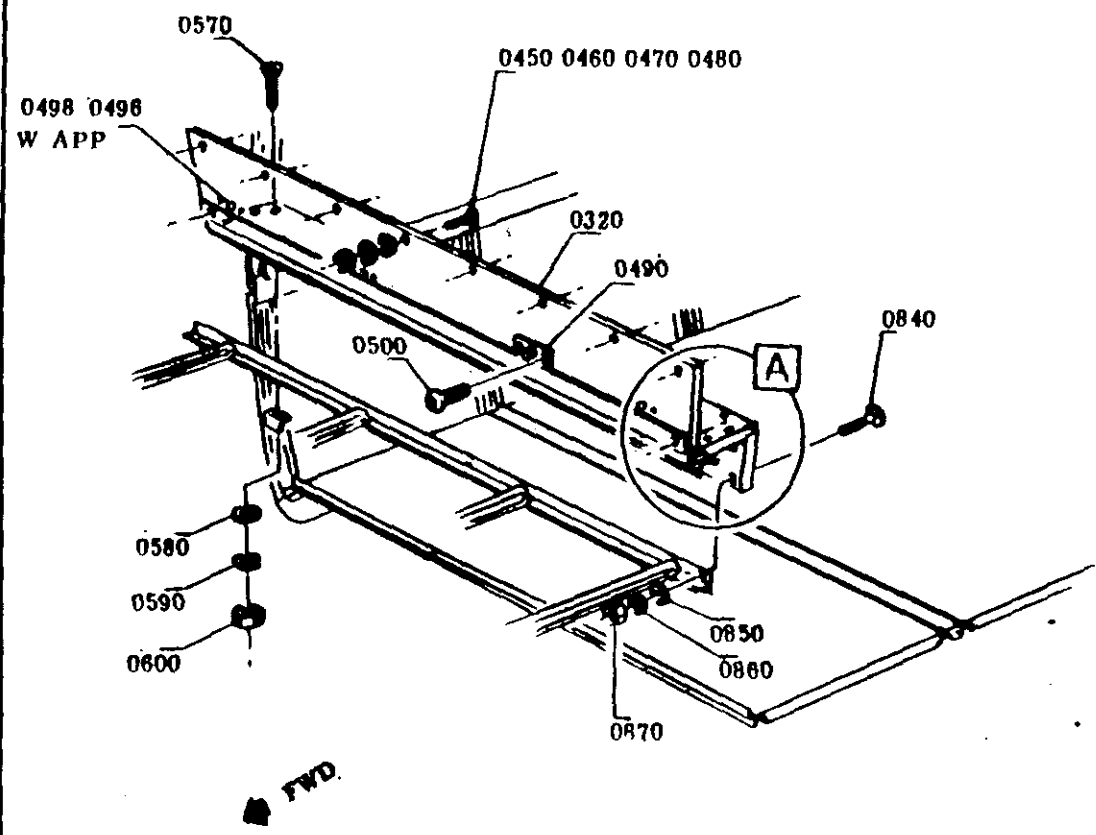


From Sht. 8

SYMBOL (Insulation) - 105	REMARK (Inspection) - 105	DATE	SYM	REVISION	AUTH	DR	EE	DEPARTMENTS	TRUCK	BOOK	
△		7/5/77		ORIGINAL RELEASE	4/10/00	9/2/00		H. GRIFFIN	78	70	
△											
△											
△											
△											
△											
									TITLE		
									MAIN FLOOR INSULATION		
									NAME	DIVISION	SHEET
									UNDERBODY	101	9

□ ITEM REFERENCE ◇ PROCESS MATERIAL ▲ TORQUE ■ PART OF OR EXISTING

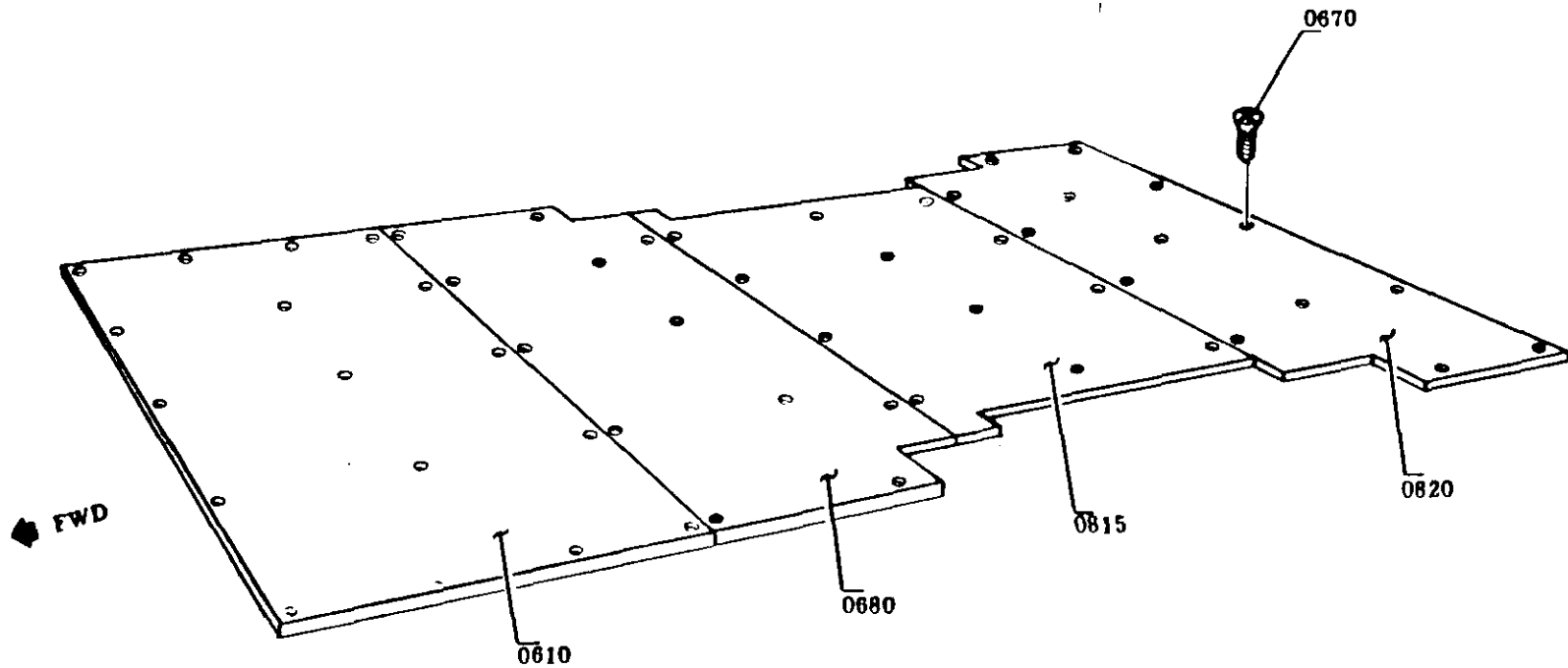
QA 1-73



PREPARED (Inspection) - U/S	DATE	SYM	REVISION	AUTH	DR	DEPARTMENT	TRUCK	BOOK
▲	7.5.77		ORIGINAL RELEASE	9100	GT	H. GRIFFIN	78	70
▲								
▲								
▲								
▲								
▲								
NAME	DIVISION		SHEET		TITLE		PART	
UNDERBODY	1C1		10		STEP RISER			

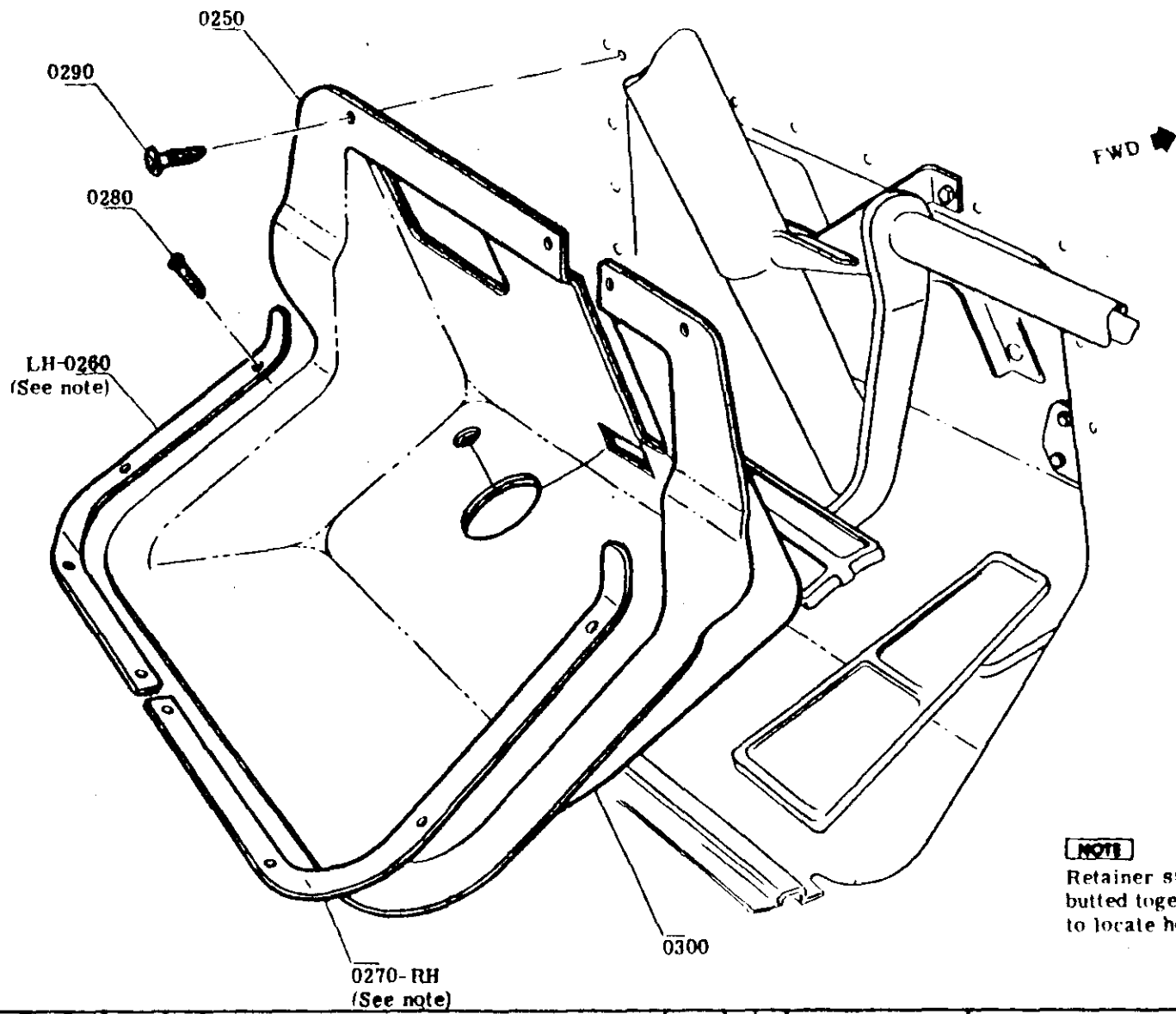


GMT 922 1/75



BY (last name) - LPS	DATE	SYN	REVISION	AUTH	DR	CR	DEPARTMENTS	TITLE	BOOK
<div style="display: flex; flex-direction: column; align-items: center;"> </div>	7-5-77		ORIGINAL RELEASE	H. GRIFIN			H. GRIFIN	78 TRUCK MAIN FLOOR 23 FT. VEHICLE	70
								UNDERBODY	12
								DIVISION/UPC	10
								SHEET	12

GMT 922 1-73

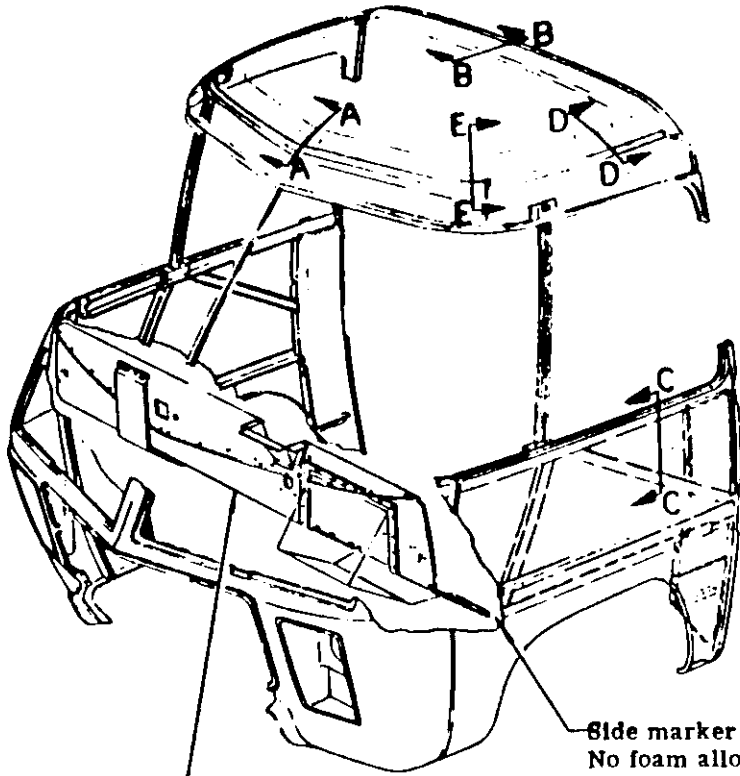


NOTE
Retainer strips to be positioned butted together used as template to locate hole for attachment.

DYNAMIC (Installation)—LBS	HAND (Inspection)—LBS	DATE	SYM	REVISION	AUTH	DR	CR	DEPARTMENTS	TITLE
		7-5-77		ORIGINAL RELEASE	97800				'78 TRUCK
									BOOK 70
									DRIVER FLOOR MAT
									NAME
									DIVISION
									SHEET
									UNDERBODY
									1C1
									18

- ▲
- ▲
- ▲
- ▲
- ▲

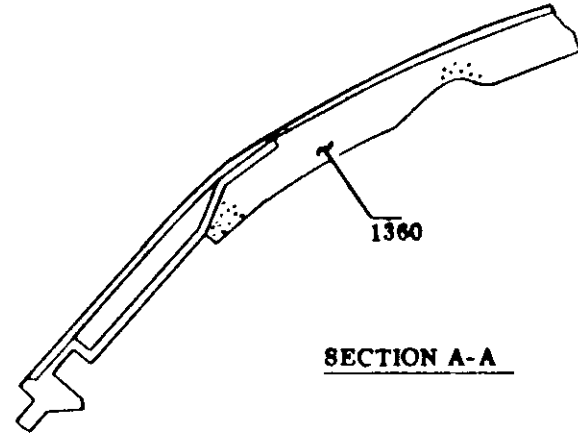
GMT 922B 1/75



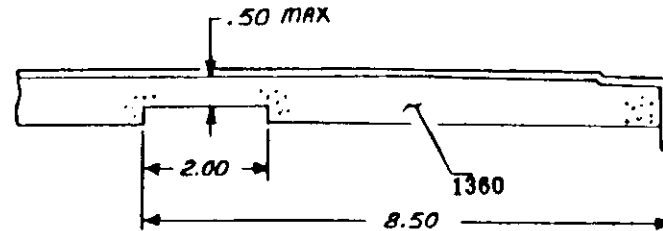
No foam overspray allowed on dash panel (Pre-insulated)

Side marker lamp to be masked
No foam allowed.

NOTE For sections C-C, D-D, & E-E see sheet 21 Also see general notes on sheet 19



SECTION A-A



SECTION B-B

SYNOPSIS (Installation) - LBS	PARM (Inspection) - LBS	DATE	SYM	REVISION	AUTH	DR	CR	DEPARTMENTS	78 TRUCK BOOK 70		
		7.5.77		ORIGINAL RELEASE	17000	CT	27	H. B. OFFEN	TITLE FRONT END INSULATION INSTRUCTIONS		
									NAME UNDERBODY	DIVISION / UPC IC1	SHEET 20

- ▲
- ▲
- ▲
- ▲

ITEM	QTY	PART OR TOOL DESCRIPTION	ADD'L DATA	QTY	PART NUMBER	ENGINE CODES	SERIES	BODY BRK	ITEM RESTRICTION	DEPARTMENTS		CHANGE		LOGIC CODE	FUNCTION CODE	ADDITIONAL CODES	LINE NOS
										#1	2-STA	CD	AUTH				
AAC1014	1	M/G LVR ASM		*	MD12911			81		0702						99556	1.8
AAC1024	1	INSTR & DRILL								0702							1.9
AAC2014	1	M/G LVR ASM		*	MD12911			81		0704						99556	1.11
AAC2034	1	INSTR & DRILL								0704							1.14
AA03044	1	L/P GAS TR CVR		*	MD12913			81		C702						99557	1.14
AA03024	1	INSTR & DRILL								C702							1.15
AA04014	1	L/P GAS TR CVR		*	MD12913			81		0704							1.17
AA04024	1	INSTR & DRILL								0704							1.18
AA05014	1	FRT STRUCTURE & STRG CGL SUPT		*	L7856					0702							1.20
AA05024	1									0702							1.21
AA06014	1	FRT STRUCTURE & STRG CGL SUPT		*	L7856					0704							1.23
AA06024	1									0704							1.24
AA07014	1	CR FLR MAT & DRILL INSTR		*	MD11005					C702							1.26
AA07024	1									0702							1.27
AA08014	1	CR FLR MAT & DRILL INSTR		*	MD11005					0704							1.29
AA08024	1									0704							1.30
AA09014	1	ST BELT ANC DRILL INSTR		*	MD12963			81		C702							1.32
AA09024	1									C702							1.33
AA10014	1	ST BELT ANC DRILL INSTR		*	MD12963			81		0704							1.35
AA10024	1									0704							1.36
AA11014	1	MAIN FLR ASM		*	L8017		65	APN/APP/BRO/ANC		0702							1.38
AA11024	1	MAIN FLR ASM		*	L8017		60	BRQ		0702							1.39
AA11034	1	MAIN FLR ASM		*	L8109		60	STD		0702							1.40
AA12014	1	RR AUX FLR		*	L6620			81		0702							1.42
AA13014	1	RR AUX FLR		*	L6620			81		0704							1.44
AA14014	1	L/P GAS TR CVR ASM INSTR		*	L7855					0702							1.46
AA14024	1									0702							1.47
AA15014	1	L/P GAS TR CVR ASM INSTR		*	L7855					0704							1.49
AA15024	1									0704							1.50
AA16014	1	M/G LVR ASM & INSTR		*	L7852			81		0702							1.52
AA16024	1									0702							1.53
AA17014	1	M/G LVR ASM & INSTR		*	L7852			81		0704							1.55
AA17024	1									0704							1.56

1 2 3 4 5 6 7 8 9 10 11 12	ZE06X00										MODEL YEAR 1978						
											ORIGIN DATE 770714						
											LAST CHG. DATE						
											LAST CHG. CODE						
MODEL APPLICATION UNDERBODY										70 161 A 1							
UPC DESCRIPTION										BK U. P. C ORP PAGE							



PRODUCT DESCRIPTION MANUAL

ASSEMBLY INFORMATION

ITEM	PART OR TOOL DESCRIPTION	ADD'L DATA	QTY	PART NUMBER	ENGINE CODES	SERIES	BOY B/WK	ITEM RESTRICTION	DEPARTMENTS		CHANGE		LOGIC CODE	FUNCTION CODE	ADDITIO CODES	NA	LINE NOS
									#1	2/STA	CD	AUTH					
AA18014	M/G CYR ASM		*	L7852		65	83KNC		0702								1.58
AA18024	G INSTL								0702								1.59
AA19014	M/G CYR ASM		*	L7852		65	83KNC		0704								2.2
AA19024	G INSTL								0704								2.3
AA20014	W/H RR INSTL		*	L7853					0702								2.5
AA21014	W/H RR INSTL		*	L7853					0782								2.7
AA22014	FRT G RR W/H		*	MDR904					0702								2.9
AA22024	DRILL G INSTL								0702								2.10
AA23014	FRT G RR W/H		*	MDR904					0704								2.13
AA23024	DRILL G INSTL								0704								2.13
AA24014	RR W/H INSTL		*	MD12912					0702								2.15
AA24024	DRILL INSTL								0702								2.16
AA25014	RR W/H INSTL		*	MD12912					0704								2.18
AA25024	DRILL INSTL								0704								2.19
AA27014	INSL INST		*	L4401					0702								2.21
AA28014	INSL INST		*	L4401					0704								2.23
AA29014	FRT W/H		*	L3855					0702								2.25
AA30014	FRT W/H		*	L3855					0704								2.27
AA31014	FLR DRILL INSTL		*	MD14399		65	APN/APP		0702								2.29
AA32014	L/H W/H INSTR		*	MD14000			RI		0702								2.31
AA33014	L/H W/H INSTR		*	MD14000			RI		0704								2.33
AA34014	ST FACING SEYTEE		*	L6669			ENK		0786								2.35
AA34024	TABLE INSTL								0786								2.36
AA35014	CRUISE CONT		*	L3927			K30		0702								2.38
AA35024	DRILL L/O								0702								2.39
0010AA	FLR DRIVERS LH		1	698118					0702	6		0000060005			MO1900		2.41
0020AA	FLR DRIVERS RH		1	688829					0702	6		0000060010			MO1900		2.43

1 2 3 4 5 F.M.V.S.S.	REFERENCE	ZEO6X00	MODEL YEAR 1978
			ORIGIN DATE 770714
		MODEL APPLICATION	LAST CHG. DATE
		UNDERBODY	LAST CHG. CODE
	UPC DESCRIPTION		70 1C1 A 2
			BK U. P. C. GMP PAGE



PRODUCT DESCRIPTION MANUAL
ASSEMBLY INFORMATION

ITEM NO.	PART OR TOOL DESCRIPTION	ADD'L DATA	QTY	PART NUMBER	ENGINE CODES	SERIES	REV BRK	ITEM RESTRICTION	DEPARTMENTS		CHANGE		LOGIC CODE	FUNCTION CODE	ADDITIONAL CODES	LINE NOS
									#1	2/STA	CD	AUTM				
LC50AA	FLR ASM ENG CVR		1	712942					0702	6			0000060015			2.48
CC32AA	NOTE: ITEMS 00040 THRU 00150 ARE PART OF ASM #0030.								0702	6						2.50
LE40ZA	FLOOR COVER		1	712943					0702	6						2.52
LG50ZA	COVER ENGINE		1	794439					0702	6						2.54
LC60ZA	SCREW CVR FLR		6	9425622					0702	6						2.56
LC70ZA	INSULATION		1	2000261					0702	6						2.58
CC80ZA	ADHESIVE		*	KM37113					0702	6						3.1
CC85ZA	SEAL A/R-CVR		*	8860766					0702	6						3.3
CC90ZA	LATCH ASM FLR		2	717332					0702	6						3.5
CI10ZA	SCREW LAT FLR		4	9418338					0702	6						3.7
CI20ZA	NUT SCR		4	9411281					0702	6						3.9
CI30ZA	SEAL COVER		*	8860998				APPROX. 11 FT PER VEH.	0705	6						3.11
CI40ZA	ADHESIVE		*	9981098					0702	6						3.13
CI50ZA	STAPLE SEAL		24	663269					0702	6						3.15
CI60AA	NUT CVR LATCH		2	2483950					0702	6						3.17
CI70AA	RETAINER CVR		1	701436					0702	6			0000060020	MC9210		3.19
CI80AA	NUT CVR RET		5	700368					0702	6						3.21
CI90AA	SUPPORT DR FLR		1	2009160					0702	5			0000050005			3.23
CC20AA	SUPPORT DR UPR		1	712130					0702	5			0000050010			3.25
CC30AA	EXTENSION SUPT		2	713235					0702	5			0000050015			3.27
CC40AA	SUPPORT LGTDL		4	712126					0702	5			0000050020			3.29
CC50AA	SUPPORT CTR FRT		2	712129					0702	5			0000050025			3.31
CC60AA	HINGE CTR SUPT		2	2497228					0702	6						3.33
CC70AA	MAT FLR EXT		1	791762					0782	41			0000410055			3.35

ITEM NO.	7E06X00										MODEL YEAR 1976				
											ORIGIN DATE 770714				
											LAST CHG DATE				
											LAST CHG CODE				
MODEL APPLICATION UNDERBODY UPC DESCRIPTION										70 1C1 A 3					
REFERENCE										BX U. P. C. QMP PAGE					

PRODUCT DESCRIPTION MANUAL

ASSEMBLY INFORMATION

JMT 1061 REV. 8/78



ITEM	QTY	PART NUMBER	DESCRIPTION	ADD'L DATA	UNIT	ENGINE CODES	SERIES	BODY BRK	ITEM RESTRICTION	DEPARTMENTS		CHANGE		LOGIC CODE	FUNCTION CODE	ADDITIONAL CODES	FNA	LINE NOS
										#1	2/STA	CD	AUTH					
0260AA	1	708916	RETAINER MAT LH							0784	62			0000625030				3.37
0270AA	1	708909	RETAINER MAT RH							0784	62			0000625035				3.38
0280AA	8	792150	SCREW RET/FLK							0784	62							3.41
0290AA	4	7642589	FASTENER MAT							0784	62			0000625040				3.43
0300AA	*	9981546	ADHESIVE MAT							0782	41							3.45
0310AA	10	162488	SCREW STEP 6 RSR							0702	6							3.47
0320AA	1	2006418	STEP 6 RISEK ASM							0702	6			000006025				3.49
0322AA			NOTE: ITEMS #0330 THRU #0400 ARE PART OF ASM #0320.							0702	6							3.51
0330ZA	1	2006417	RISEK FLR ERD							0702	6							3.53
0339ZA	6	712101	REINT STEP RSR							0702	6							3.55
0340ZA	1	712105	REINT RISER							0702	6							3.57
0345ZA	1	698121	SUPT							0702	6							3.59
0350ZA	1	698188	SUPT							0702	6							4.2
0359ZA	1	791367	RISEK							0702	6							4.4
0360ZA	16	9414726	SCREW							0702	6							4.6
0370ZA	1	698112	STEP							0702	6							4.8
0380ZA	16	9414726	SCREW							0702	6							4.10
0390ZA	*	8860768	ADHESIVE							0702	6							4.12
0400ZA	1	723188	BRACE							0702	6							4.14
0410AA	19	2067939	BOLT SUPT							0702	6							4.16
0420AA	19	9418304	WASHER							0702	6							4.18
0430AA	19	105320	WA LK							0702	6							4.20
0440AA	19	9418892	NUT RSR TO SUPT							0702	6							4.22
0450AA	1	156490	SCREW STEK RSR							0702	6							4.24
0460AA	1	9418304	WASHER							0702	6							4.26

ZE06X00

MODEL YEAR 1976
 ORIGIN DATE 770714
 LAST CHG DATE
 LAST CHG CODE
 70 101 A 4
 BK U. P. C. GMP PAGE

MODEL APPLICATION
 UNDERBODY
 UPC DESCRIPTION

REFERENCE

F.M.V.S.S.



PRODUCT DESCRIPTION MANUAL

ASSEMBLY INFORMATION

GMT 1061 REV. 5/75

ITEM	SEQ	P/N	PART OR TOOL DESCRIPTION	ADD'L DATA	QTY	PART NUMBER	ENGINE CODES	SERIES	BODY BRK	ITEM RESTRICTION	DEPARTMENTS		CHANGE CD	LOGIC AUTH	LOGIC COEF	FUNCTION CODE	ADDITIONAL CODES	LINE NOS	
											#1	2/STA							
4470AA			WA LK		1	103320					0702	6						4.28	
4480AA			NUT		1	9418892					0702	6						4.30	
4490AA			PLATE ASM		2	701805			81-APP		0702	7			3487070007			4.32	
4490AL			PLATE ASM		4	701805			83		0702	7			0000070007			4.33	
4491AA			ITEM NO'S 0492 AND 4494 ARE PART OF ASM NO. 0490.									0702	7					4.35	
4492ZA			PLATE		1	701806					0702	7						4.37	
4494ZA			WINGNUT PRAL		1	451761					0702	7						4.39	
4498AA			PLUG FLT HOLE		*	R36658			APP		0702	6						4.41	
4498AA			ADHESIVE		*	9981074			APP		0702	6						4.43	
4500AA			SCREW ANC PLY		4	9414726			81-APP		0702	7						4.45	
4500AL			SCREW ANC PLY		8	9414726			83		0702	7						4.46	
4510AA			SHIELD RSK SPH		2	701439					0702	7			0000070007			4.48	
4520AA			SCREW		4	9414724					0702	7						4.50	
4530AA			BOLT		4	2067939					0702	7						4.52	
4540AA			WASHER		4	9418304					0702	7						4.54	
4550AA			WA LK		4	103320					0702	7						4.56	
4560AA			NUT		4	9418892					0702	7						4.58	
4570AA			SCREW		4	156495					0702	7						5.1	
4580AA			WASHER		4	9418304					0702	7						5.3	
4590AA			WA LK		4	103320					0702	7						5.5	
4600AA			NUT		4	9417954					0702	7						5.7	
4610AA			FLUGR FR1		1	2008006					0702	6			0000060030			5.9	
4620AA			SUPPORT FR1 FLR		1	791359					0702	5			0000050030			5.10	
4630AA			L/MBL FR1 FR1		2	791354					0702	5			0000050035			5.11	
4640AA			CAP FR1 LH		2	792846					0702	7			0000070010			5.12	
										ZE06X00									
										MODEL APPLICATION UNDFR BODY UPC DESCRIPTION		MODEL YEAR 1978 ORIGIN DATE 770714 LAST CHG DATE LAST CHG CODE 70 101 A 5 BK U.P.C. QTY PAGE							
REFERENCE																			



PRODUCT DESCRIPTION MANUAL

ASSEMBLY INFORMATION

QMT 1081 REV. 5/75

ITEM	E O	PART OR TOOL DESCRIPTION	ADD'L DATA	QTY	PART NUMBER	M O D	ENGINE CODES	SERIES	NOY BRK	ITEM RESTRICTION	DEPARTMENTS		CHANGE		LOGIC CODE	FUNCTION CODE	ADDITIONAL CODES	A	LINE NOS
											#1	2-STA	CD	AUTH					
065UAA		CAP FRT RH		2	792848						0702	7			0000070015				5.17
066UAA		L/MBK FRT FLR		2	791354			65			0702	5			0000050040				5.19
066UAB		L/MBK FRT FLR		1	791354			60			0702	5			0000050040				5.20
067UAA		SCREW C/MBR		75	2008781			65	-KNC		0702	6							5.22
067UAB		SCREW C/MBR		57	2008781			60			0702	6							5.23
067UAC		SCREW C/MBR		73	2008781			65	KNC		0702	6							5.24
068UAA		FLOOR FRT INTER		1	2008016				81		0702	6			0000060034				5.26
068UAB		FLOOR FRT INTER		1	2008398			60	83		0702	6			0000060034				5.27
068UAC		FLOOR FRT INTER		1	2008015			65	83		0702	6			0000060034				5.28
069UAA		SUPT ASM BELT		3	2005845				81-APN/APP		0702	5			3600050045			M13010	5.30
069UAB		SUPT ASM BELT		2	2005845				81-APN/APP		0702	5			3601050045				5.31
070UAA		L/MBK RR		1	2005847						0702	5			0000050050				5.33
071UAA		L/MBK FRT		1	2005848						0702	5			0000050055				5.35
072UAA		L/MBK W/H FLR		3	2005844						0702	5			0000050060				5.37
073UAA		MEMBER ASM LH		1	2006113						0702	5			0000050065				5.39
074UAA		MEMBER ASM RH		1	2006113						0702	5			0000050070				5.41
075UAA		MBR W/G LGTONE		1	2010165			65			0702	5			0000050075				5.43
076UAA		L/MBK RR FLR		1	2010177			65			0702	5			0000050080				5.45
077UAA		L/MBK RR RR		1	2010178			65	-KNC		0702	5			3599050085				5.47
078UAA		L/MBK FULL RR		1	791354						0702	5			0000050090				5.49
079UAA		FLOOR W/H FRT		1	2008014				81		0702	6			0000060035				5.51
079UAB		FLOOR W/H FRT		1	2008013			65	83		0702	6			0000060035				5.52
																			5.53
080UAA		FLOOR W/H RR		1	2008005				81		0702	6			0000060040				5.55
080UAB		FLOOR W/H RR		1	2008004			65	83		0702	6			0000060040				5.56
081UAA		TAPE W/H FLR		*	8861094					USE APPROX. 6.0 IN.	0702	6							5.58
0815AA		FLOOR RR INTER		1	2008394			60	83		0702	6			0000060045				6.1

1 2 3 4 5 F.V.V.S.	REFERENCE	ZE06X00	MODEL YEAR 1978
		MODEL APPLICATION	ORIGIN DATE 770714
		UNDERBODY	LAST CHG. DATE
	UPC DESCRIPTION		LAST CHG. CODE
			70 101 A 6
			BK. U. P. C. QPP PAGE



PRODUCT DESCRIPTION MANUAL
ASSEMBLY INFORMATION

ITEM	SEQ	PART OR TOOL DESCRIPTION	ADD'L DATA	QTY	PART NUMBER	ENGINE CODES	SERIES	BODY BRK	ITEM RESTRICTION	DEPARTMENTS		CHANGE		LOGIC CODE	FUNCTION CODE	ADDITIONAL CODES	FM	JE JS
										81	2/STA	CD	AUTH					
0820AA		FLOOR RR		1	2008007			81	-KNC	0702	6			3599060050	M			6.3
0820AB		FLOOR RR		1	2008397		60	83		0702	6			0000060050	M			6.4
0820AC		FLOOR RR		1	2008009		65	83	-KNC	0702	6			3599060050	M			6.5
0820AD		FLOOR RR		1	2008008				KNC	0702	6			3495060050	M			6.6
0830AA		CLVER RR FLK		1	791378					0702	5			0000050050	M			6.8
0840AA		BULT FLK CVR		4	2067939			81		0702	5							6.10
0849AA		TAPE		*	R34796			83		0702	6							6.12
0850AA		WASHER		4	9418304			81		0702	5							6.14
0860AA		WA LR		4	103320			81		0702	5							6.16
0870AA		WGT		4	9418892			81		0702	5							6.18
0880AA		FLOOR ASM RR AUX		1	792910			81	-ENK	0786	78			3523785003	M			6.20
0880AB		FLOOR ASM RR AUX		1	797526			81	ENK	0786	78			3452785003	M			6.21
0882AA		NOTE: ITEMS ABOVE TRU			0935 ARE PART OF ASM #0880.					0786	78							6.22
0890AA		SPACER FLR SI		1	2008371			81		0786	78							6.23
0900AA		SPACER		2	792432			81		0786	78							6.25
0910AA		SPACER FLR SI		1	792430			81		0786	78							6.27
0920AA		FLOOR RR AUX		1	792430			81	-ENK	0786	78							6.31
0920AB		FLOOR RR AUX		1	797527			81	ENK	0786	78							6.32
0930AA		ADHESIVE		*	8860959			81		0786	78							6.34
0935AA		SCREW		8	9426465			81		0786	78							6.36
0950AA		SCREW		6	149135			81		0786	78							6.38
0960AA		RISER FLR		1	792433			81		0786	78			0000785010	M			6.40
0970AA		SCREW		3	9426466			81		0786	78							6.42
0980AA		SCREW		3	9426483			81		0786	78							6.44
0990AA		RIVET		18	708648					0702	6							6.46
1000AA		CAP FLR SUPT LH		2	792847					0702	7			0000070020	M			6.48
1010AA		CAP FLR SUPT RH		2	792849					0702	7			0000070025	M			6.50

1 2 3 4 5 F.M.V.S.B.	REFERENCE	70000000	MODEL YEAR 1978
			ORIGIN DATE 770714
			LAST CHG. DATE
			LAST CHG. CODE
		MODEL APPLICATION UNDERBODY	7C 1C1 A 7
		UPC DESCRIPTION	BK U. P. C. GRP PAGE



PRODUCT DESCRIPTION MANUAL

ASSEMBLY INFORMATION

GMT 1061 REV. 5/78

ITEM	PART OR TOOL DESCRIPTION	ADD'L DATA	QTY	PART NUMBER	ENGINE CODES	SERIES	BODY OPT	ITEM RESTRICTION	DEPARTMENTS		CHANGE		LOGIC CODE	FUNCTION CODE	ADDITIONAL CODES	FNA	LINE NOS
									#1	2/STA	CD	AUTH					
1020AA	SEALER		*	9985041		65			0702	7							6.52
1030AA	SUPT BODY RH		1	2001709					0702	5			0000050100				6.54
1040AA	SUPT BODY LH		1	2001708					0702	5			0000050105				6.54
1050AA	SPALLR BDY MTG		2	701354					0702	5			0000050110				6.54
1060AA	EXTENSION		2	691646					0702	5			0000050115				7.1
1070AA	ADHESIVE		*	8860766					0702	4							7.3
1080AA	COVER ASM M/G		1	2006226			81		0704	8			0000080003				7.5
1080AB	COVER ASM M/G		1	2009152			83KNC		0704	8			3495080003				7.6
1090AA	SEALER		*	R35174			81		0704	8							7.8
1090AB	SEALER		*	R35174			83KNC		0704	8							7.9
1095AA	SCREW ASM		18	2006657			81		0704	8							7.11
1095AB	SCREW ASM		18	2009377			83KNC		0704	8							7.11
1100AA	SCREW ASM		18	2009377			81		0704	8							7.14
1100AB	SCREW ASM		18	2006657			83KNC		0704	8							7.15
1110AA	COVER LP GAS TR		1	2006225			81		0704	8			0000080005				7.17
1120AA	TAPE L/P TR CVR		*	8861094			81		0704	8							7.19
1120AB	TAPE L/P TR CVR		*	8861094			83KNC		0704	8							7.20
1130AA	SCREW ASM		13	2009377			81		0704	8							7.22
1130AA	SCREW ASM		24	2006657			81		0704	8							7.24
1140AA	SEALER		*	R35174			81		0704	8							7.26
1145AA	PLATE BED LAR		1	2011616			81		0704	8			0000080010				7.28
1146AA	RIVET		3	700368			81		0704	8							7.30
1150AA	SHEET INSL BKG		1	2008307			81		0702	6			0000060055				7.31
1150AB	SHEET INSL BKG		1	2008307			83BRQ		0702	6			3597060055				7.33
1160AA	SHEET INSL BKG		1	2008312			81-APN/APP		0702	6			3600060060				7.35
1170AA	SHEET INSL BKG		1	2008310			81-APN/APP		0702	6			3600060065				7.37
1180AA	SHEET INSL BKG		1	2008315			81		0702	6			0000060070				7.39
1180AB	SHEET INSL BKG		1	2008315			83BRQ		0702	6			3597060070				7.40

1 2 3 4 5 6 7 8 9 10 11 12 13 14 15 16 17 18 19 20 21 22 23 24 25 26 27 28 29 30 31 32 33 34 35 36 37 38 39 40 41 42 43 44 45 46 47 48 49 50	REFERENCE	2E06X00	MODEL YEAR 1978
		MODEL APPLICATION UNDERBODY UPC DESCRIPTION	ORIGIN DATE 770714 LAST CHG DATE LAST CHG CODE 76 1C1 A 8 BK U P C GRP PAGE



PRODUCT DESCRIPTION MANUAL

ASSEMBLY INFORMATION

GMT 1061 REV. 8/78

LT	PART OR TOOL DESCRIPTION	ADD'L DATA	QTY	PART NUMBER	ENGINE CODES	SERIES	REV BPK	ITEM RESTRICTION	DEPARTMENTS		CHANGE CD	AUTH	LOGIC CODE	FUNCTION CODE	ADDITG CODES	FNA	LINE NOS
									#1	2/STA							
1190AA	SHEET INSL PKG		2	200R317					0702	6			0000060075				7.39
1200AA	SHEET INSL PKG		1	200R319					0702	6			0000060080				7.41
1210AA	SHEET INSL PKG		1	200R320					0702	6			0000060085				7.43
1215AA	SHEET INSL BKG		1	200R328				P1-KNC	0702	6			3599060090				7.45
1220AA	SHEET INSL PKG		1	200R308				P1-APN/APP	0702	6			3600060095				7.47
1225AA	SHEET INSL BKG		1	200R329				P1-KNC	0702	6			2599060100				7.49
1230AA	SHEET ASM		1	2010164					0702	6			0000060105				7.51
1230AB	SHEET ASM		1	2010164		65	83		0702	6	55775		0000060105				7.52
1240AA	SHEET ASM		1	200R330					0702	6			0000060110				7.54
1240AB	SHEET ASM		1	200R330		65	83		0702	6	55775		0000060110				7.55
1250AA	SHEET ASM		1	200R383					0702	6			0000060115				7.57
1270AA	INSULATION M/G		1	200R168				P1	0704	8			0000080015				7.59
1270AB	INSULATION M/G		1	200R168				83KNC	0704	8			3495030015				8.1
1280AA	INSULATION M/G		1	200R169				81	0704	8			0000080220				8.3
1280AB	INSULATION M/G		1	200R169				83KNC	0704	8			3495080020				8.4
1290AA	INSULATION M/G		1	200R170				81	0704	8			0000080225				8.6
1290AB	INSULATION M/G		1	200R170				83KNC	0704	8			3495080025				8.7
1295AA	ADHESIVE M/G		*	RH37378				83KNC	0704	8							8.9
1300AA	INSULATION LPG	1 LB EA	*	R37391				81	0705	18							8.11
1360AA	FORM 70 LB EA		*	R37391		65			0705	18							8.13
1360AB	FORM 15 LB EA		*	R37391		60			0705	18							8.14
1370AA	SHIELD FLR FOAM		1	2004270				P1	0705	18			00001F0005				8.16
1380AA	PANEL FRNT W/H RH		1	696198					0782	50			0000500005				8.18
1390AA	PANEL FRNT W/H LH		1	696199					0782	50			0000500010				8.20
1395AA	PANEL RR INSL		2	721355				F3	0782	50			0000500015				8.22

F.M.V.B.	REFERENCE	ZEO6X00	MODEL YEAR 1978
		MODEL APPLICATION	ORIGIN DATE 770714
		UNDER BODY	LAST CHG. DATE
		UPC DESCRIPTION	LAST CHG. CODE
			70 1C1 A 9
			BK V. P. C. GMP PAGE

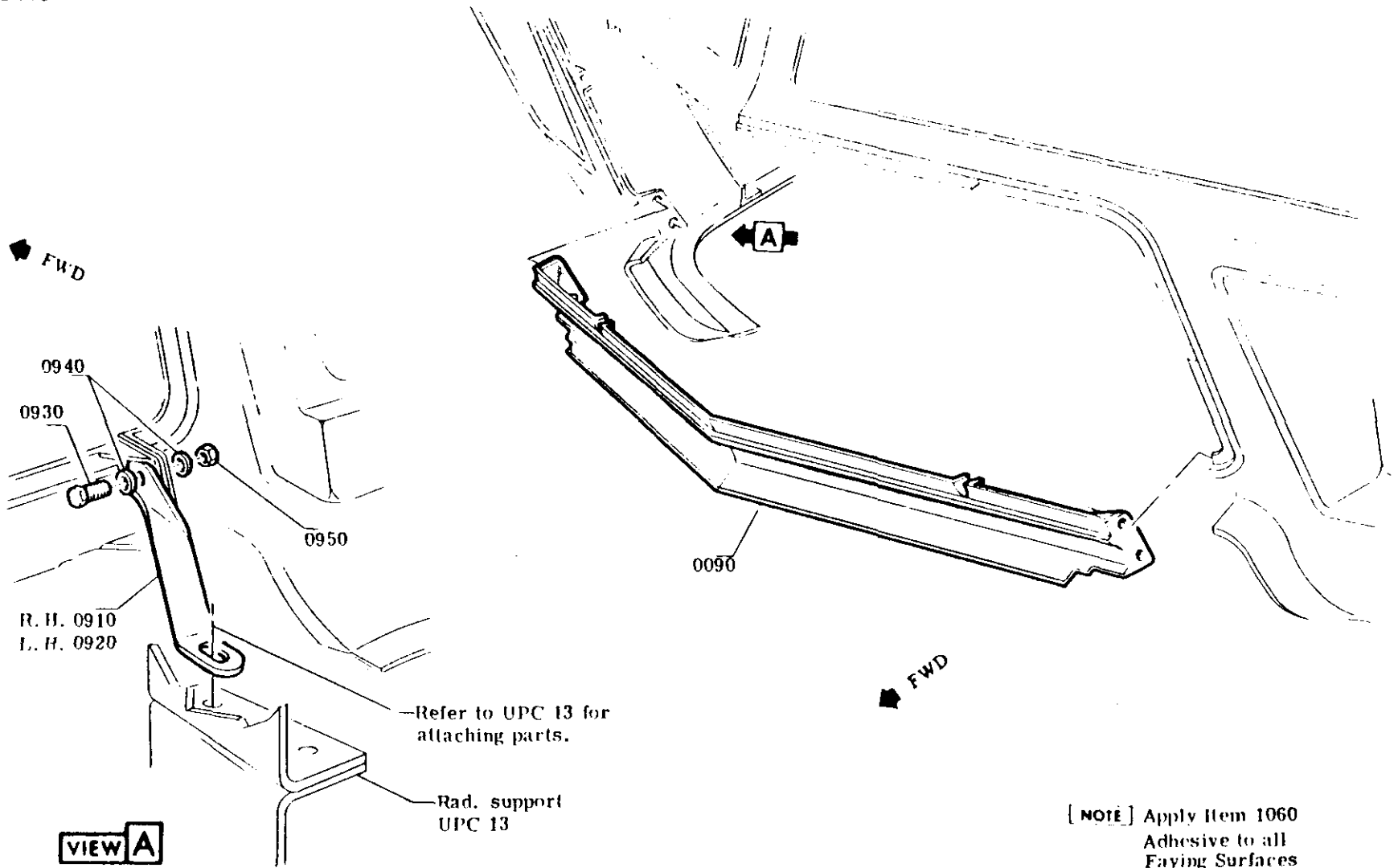
PRODUCT DESCRIPTION MANUAL
ASSEMBLY INFORMATION

ITE	PART OR TOOL DESCRIPTION	ADD'L DATA	QTY	PART NUMBER	ENGINE CODES	SERIES	BOY BRK	ITEM RESTRICTION	DEPARTMENTS		CHANGE		LOGIC CODE	FUNCTION CODE	ADDITIONAL CODES	FNA	LINE NOS
									#1	2/51A	CD	AUTH					
1400AA	SHIELD W/H PANEL		1	714598					0782	50			0000	500020			8.24
1410AA	WR SHLD W/H PNL AS REQD		*	9985277					0782	50							8.24
1420AA	SC ASM W/H PNL		12	9420432					0782	50							8.27
1430AA	NUT		12	9433159					0782	50							8.30
1440AA	BOLT		2	9419022					0782	50							8.32
1450AA	WASHER		2	2305300					0782	50							8.34
1460AA	PANEL		2	2027321					0704	8			0000	080030			8.36
1470AA	TAPE HTR PNL FLR 446 IN		*	8861094					0704	8							8.38
1480AA	SCREW W/H PNL		19	2006657					0704	8							8.40
1490AA	SCRFW W/H PNL		15	2009377					0704	8							8.42
1500AA	SHEET INSL BKG		1	2008324				APN&APP	0702	6			3603	060120			8.44
1510AA	SHEET INSL BKG		1	2008325				APN-APP	0702	6			3604	060125			8.46
1520AA	SHEET INSL BKG		1	2008323				APP-APN	0702	6			3605	060130			8.48
1520AB	SHEET INSL BKG		1	2009323		65		BRQ	0702	6			3597	060130			8.49
1530AA	SHEET INSL BKG		1	2008313				APN&APP	0702	6			3603	060135			8.51
1570AA	SHEET INSL BKG		1	2008376		60	P3		0702	6			0000	060145			8.53

2 E O 6 X 0 0	ZEO6X00	MODEL YEAR 1978 ORIGIN DATE 770714 LAST CHG DATE LAST CHG CODE
	MODEL APPLICATION UNDERBODY	70 1C1 A 10 BK V. P. C. GRP PAGE
	UPC DESCRIPTION	
	REFERENCE	

□ ITEM REFERENCE ◇ PROCESS MATERIAL △ TORQUE ▣ PART OF OR EXISTING

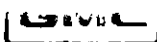
GMT 922 1/75



[NOTE] Apply Item 1060
Adhesive to all
Faying Surfaces

DYNAMIC (Installation) - IBS	HAND (Inspection) - IBS	DATE	SYM	REVISION	AUTH	OR	LR	DEPARTMENTS	78 TRUCK	BOOK 70
				ADJUST RELEASE					TITLE	
									GRILLE SUPPORT LWR. PNL. TO BODY	
									NAME	
									BODY FRONT FRAME	
									DIVISION/UPC	
									1C2A	
									SHEET	
									9	

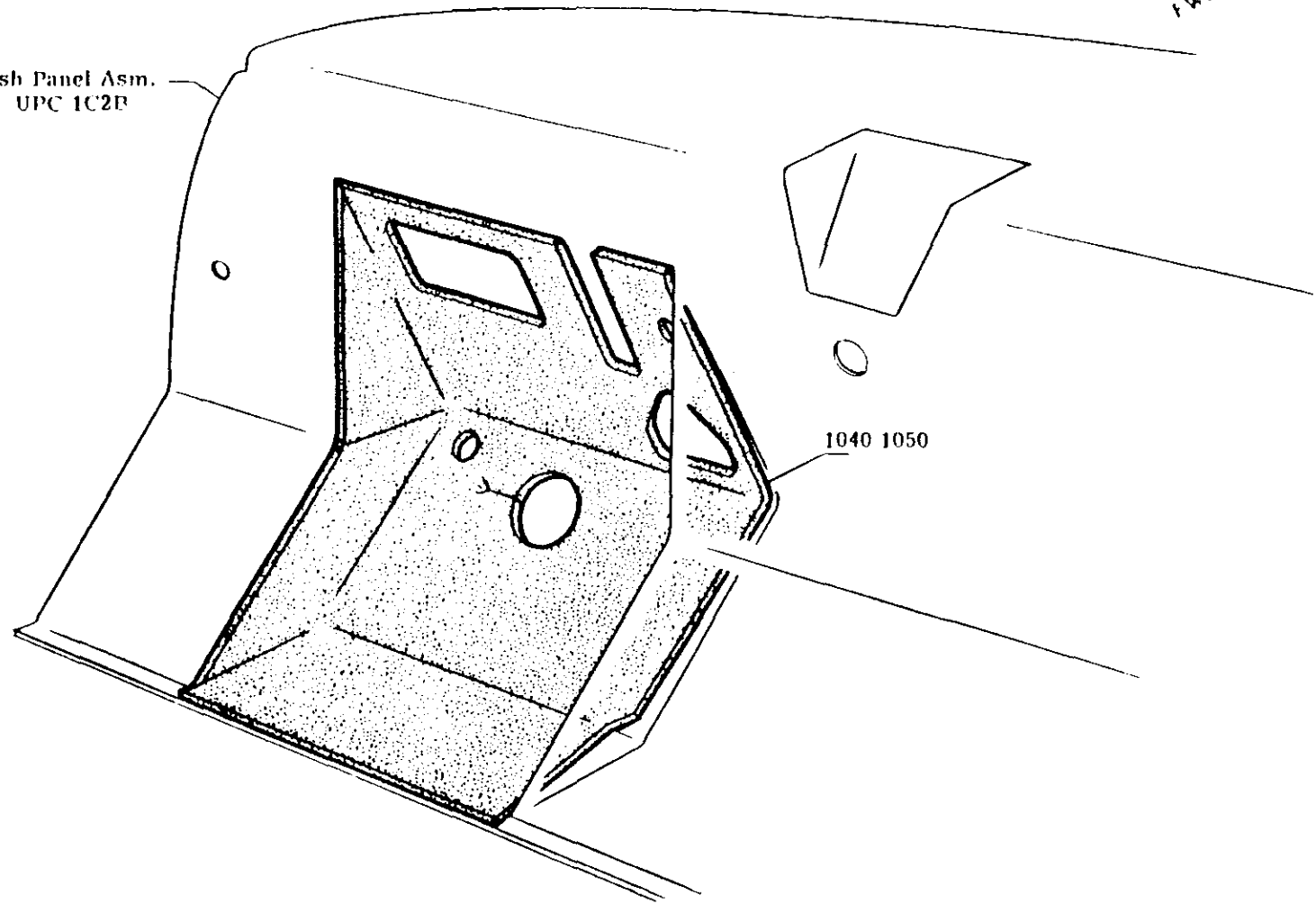
- △
- △
- △
- △
- △



GMI 722 1-73

FWD

Dash Panel Asm.
UPC 1C2B



DYNAMIC (Installation) - LBS	HAND (Inspection) - LBS	DATE	SYM	REVISION	AUTH	DR	CK	DEPARTMENTS
		12-73		ORIGINAL RELEASED	J. COOK	J. COOK		

'78 TRUCK **BOOK 70**

TITLE
INSULATION - DRIVER FLOOR

NAME	BODY	DIVISION	SHEET
FRONT	FRAME	1C2A	13



PRODUCT DESCRIPTION MANUAL

ASSEMBLY INFORMATION

GMT 1061 REV 5/78

ITEM	QTY	PART OR TOOL DESCRIPTION	ADDL DATA	QTY	PART NUMBER	M O I D	ENGINE CODES	SERIES	BODY BUNK	ITEM RESTRICTION	DEPARTMENTS		CHANGE		LOGIC CODE	FUNCTION CODE	ADDITIONAL CODES	FNA	LINF NOS
											#1	2/STA	CD	AUTH					
AA01014		INSUL INSTL		*	L4401						0702								1.8
AA02014		INSUL INSTL		*	L4401						0704								1.10
AA03014		UR FLR INSL		*	L6086						0704								1.12
AA03024		INSTL									0704								1.13
AA04014		FRT ROOF SURF		*	L2968						0702								1.15
AA04024		L W/S									0702								1.16
AA05014		FRT ROOF SURT		*	L2968						0704								1.18
AA05024		L W/S									0704								1.19
AA06014		GRF PNL		*	L2974						0702								1.21
AA07014		LWR FRT SURF		*	L2977						0702								1.23
AA08014		LRR FRT SURF		*	L2977						0704								1.25
AA09014		FRT STRUCTURE		*	L7856						0702								1.27
AA09024		L STRG COL SUPT									0702								1.28
AA10014		FRT STRUCTURE		*	L7856						0704								1.30
AA10024		L STRG COL SUPT									0704								1.31
AA11014		FRT ACC DR		*	L3866						0782								1.33
AA12014		FRT ACC DR		*	L3866						0702								1.35
AA13014		FRT ACC DR		*	L3866						0704								1.37
AA14014		DA PNL INSUL		*	L7851						0782								1.39
AA14024		INSTE									0782								1.40
AA15014		DA PNL INSUL		*	L7851						0704								1.42
AA15024		INSTL									0704								1.43
AA16014		120V5 CIRC E		*	L6779						0702		56411						1.45
AA16024		SCHEMATIC									0702								1.46
AA17014		120V5 CIRC E		*	L6779						0704								1.48
AA17024		SCHEMATIC									0704								1.49
CC100AA		PANEL ASH DA		1	2003633						0702	5			0000050120				1.51
CC15AA1		NOTE: ITEM #0020 THRU #0070 ARE PART OF ASH #0010.									0702	5							1.53
CC202A		PANEL DASH		1	2003215						0702	5							1.55

ZE06X00

MODEL APPLICATION
BODY FRT FRAME
UPC DESCRIPTION

MODEL YEAR 1978
ORIGIN DATE 770714
LAST CHG DATE
LAST CHG CODE
76 1C2A A 1
BK U P C ONP PAGE

REFERENCE

GMVSS

PRODUCT DESCRIPTION MANUAL

ASSEMBLY INFORMATION

GMT 1061 REV. 8/78

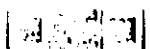
GMC TRUCK & COACH

ITEM	S E Q	P V S	RT OR TOOL DESCRIPTION	ADD'L DATA	Q T Y	PART NUMBER	ENGINE CODES	SERIES	BODY BRN	ITEM DESCRIPTION	DEPARTMENTS		CHANGE		LOGIC CODE	FUNCTION CODE	ADDITIONAL CODES	FNA	LINE NOS
											#1	2/STA	CD	AUTH					
0030	ZA		E. LR LWR DA		1	694010					0702	5							1.57
0035	ZA		PLT ELEC CMP MTG		1	2004361					0782	38							1.59
0040	AAI		NOTE: ITEM #0041 AND #0042 ARE PART OF ASM #0035.									0782	38						2.2
0041	ZA		PLATE ELEC CMP		1	2004467					0782	38							2.4
0042	ZA		RIVNU1		4	2248137					0782	38							2.6
0050	ZA		RIVET PLT/PNL		10	700368					0782	38							2.8
0060	ZA		RIVET EXT/PNL		22	700368					0782	38							2.10
0065	ZA		RIVET EXT/PNL		5	793289					0782	38							2.12
0070	ZA		FLT DA PNL RDO		1	703037					0782	38							2.14
0400	AA		REINF BELT RL		2	703652					0702	5			0000050125			M	2.16
0410	AA		PANEL SI INR LH		1	2000701					0702	5			0000050130			M	2.18
0420	AA		PANEL SI INR RH		1	2000702					0702	5			0000050135			M	2.20
0440	AA		REINF RL LF		1	2001948					0702	5			0000050140			M	2.22
0450	AA		REINF RL RH		1	2001949					0702	5			0000050145			M	2.24
0460	AA		ADHESIVE DA/FLR		*	RH33056					0702	5							2.26
0461	AAI		NOTE: APPLY ADHESIVE TO ALL FAYING SURFACES									0702	5						2.28
0470	AA		ADHESIVE		*	9981098					0702	5							2.30
0480	AA		SEALER LA PNL		*	R 30709					0702	5							2.32
0490	AA		RIVET BELT RL/DA		10	700368					0702	5							2.34
0495	AA		PILLAR ASM W/S		1	702531					0704	9			0000090025			M	2.36
0496	AAI		NOTE: ITEM #0201 THRU #0203 ARE PART OF ASM #0195.									0704	9						2.38
0201	ZA		PILLAR W/S CTR		1	698115					0704	9							2.40
0202	ZA		POST FLT CTR		1	701407					0704	9							2.42
0203	ZA		BRKT CTR POST		1	701403					0704	9							2.44

ZE06X60

MODEL APPLICATION
BODY FRT FRAME
UPC DESCRIPTION

MODEL YEAR 1978
ORIGIN DATE 770714
LAST CHG. DATE
LAST CHG. CODE
70 102A A 2
BK U. P. C. OPP PAGE



PRODUCT DESCRIPTION MANUAL

GMT 1001 REV. 5/75

FRONT CHASSIS

ASSEMBLY INFORMATION

ITEM NO.	PART OR TOOL DESCRIPTION	QTY	PART NUMBER	ENGINE CODES	ITEM DESCRIPTION	REF. TO PARTS MANUAL	REF. TO EXPLODED VIEW	REF. TO WIRING DIAGRAM	REF. TO FLUID FILLING	REF. TO TORQUE SPECIFICATIONS	REF. TO SPECIAL TOOLS	REF. TO SPECIAL EQUIPMENT
0200AA	PILLAR ASM W/O L	1	701467									
	NOTE: ITEMS W/O L THRU W/O 213 ARE PART OF ASM #0205.											
0200AA	PILLAR LH	1	688813									
0200AA	PLATE PILLAR	1	709810									
0200AA	BASK PILLAR	1	701412									
0200AA	PILLAR ASM W/O R	1	701466									
	NOTE: ITEMS W/O 21 THRU W/O 223 ARE PART OF ASM #0215.											
0200AA	PILLAR RH	1	688812									
0200AA	PLATE PILLAR	1	701406									
0200AA	BASK PILLAR	1	701412									
0200AA	CAP FRT RF	1	691631									
0200AA	RIVNUT RF CAP	6	2298512									
0200AA	RIVNUT RF CAP	6	2003467									
0200AA	SCR FRT RF CAP	6	9419567									
0200AA	NUT CAP JAM	6	9431532									
0200AA	RIVUT CAP2RF	14	2001628									
0200AA	SCR W/S LTR PLK	2	2026738									
0200AA	WA W/S CTR PLK	2	126393									
0300AA	BOLT BELT KL	2	9422222									
0300AA	WA BELT RL	4	2436162									
0300AA	BOLT	4	9422275									
0300AA	SCR W/O PLK RF	4	2026738									
0300AA	WA	4	126393									
0300AA	BOLT BELT KL	4	9437615									
0300AA	WA	4	2436162									
0300AA	BOLT	4	9422275									

1												
2												
3												
4												
5												
1	M.V.S.	REFERENCE										

7E06X00

MODEL APPLICATION
HUDY FRT FRAME
UPC DESCRIPTION

MODEL YEAR 70
 ORIGIN DATE 110116
 LAST CHG. DATE 111008
 LAST CHG. CODE 1290
 70 102A A 3
 BK. U. P. C. UNP. PAGE

PRODUCT DESCRIPTION MANUAL

ASSEMBLY INFORMATION

GMT 1041 REV. 8/78



ITEM	S E O	P V S	PART OR TOOL DESCRIPTION	ADD'L DATA	QTY	PART NUMBER	ENGINE CODES	SERIES	BOY BRK	ITEM RESTRICTION	DEPARTMENTS		CHANGE		LOGIC CODE	FUNCTION CODE	ADDITIONAL CODES	FNA	LINE NOS
											#1	2/STA	CD	AUTH					
0713	2A		BRKT LWR ARM		1	709360					0704	10							4.30
0714	2A		BRKT UPR ARM		1	712463					0704	10							4.32
0715	2A		RIVET ARM/BRKT		3	3715951					0704	10							4.34
0716	2A		WA RIVET		3	446161					0704	10							4.36
0719	AA		STRUT ASM LK RH		1	709361					0704	10		0000	100035			M	4.38
0720	AA		NOTE: ITEMS #0721 THRU #0726 ARE								0704	10							4.40
0721	2A		ARM LWR STRUT		1	709358					0704	10							4.42
0722	2A		ARM UPR STRUT		1	709359					0704	10							4.44
0723	2A		BRKT LWR ARM		1	709356					0704	10							4.46
0724	2A		BRKT UPR ARM		1	709357					0704	10							4.48
0725	2A		RIVET ARM/BRKT		3	3715951					0704	10							4.50
0726	2A		WA RIVET		3	446161					0704	10							4.52
0730	AA		DOOR ENG ALL LH		1	691630					0704	10		0000	100040			M	4.54
0740	AA		DOOR ENG ALL RH		1	691629					0704	10		0000	100045			M	4.56
0750	AA		SCR DR HINGE		16	157175					0704	10							4.58
0760	AA		WA HINGE SCR		16	9421089					0704	10							5.1
0770	AA		WA HINGE SCR		16	138479					0704	10							5.3
0780	AA		TGT HINGE SCR		16	120614					0704	10							5.5
0790	AA		BUMPER ALL DR		4	8660971					0705	33		0000	330005			M	5.7
0800	AA		PLATE DR WEAR		4	704207					0704	9		0000	090085			M	5.9
0810	AA		RIVET WEAT PLY		8	2397326					0704	9		0000	090090			M	5.11
0820	AA		LATCH ALL DOOR		4	707991					0704	10		0000	100048			M	5.13
0830	AA		RIVET DR LATCH		8	668290					0704	10							5.15
0890	AA		PANEL GRILLE LWR		1	697789					0705	22		0000	220010			M	5.17

ZE06X00

MODEL APPLICATION
BODY FRM FRAME
UPC DESCRIPTION

MODEL YEAR 1978
ORIGIN DATE 770714
LAST CHG DATE
LAST CHG CODE
70 1C2A A 5
DR U. P. C. DRP PAGE

QTY	PART OR TOOL DESCRIPTION	UNIT DATA	PART NUMBER	ENGINE CODES	LIBS	BODY	REVISION	DATE	BY	CHKD	APPROV
1	SRUT PANEL LH		706018				0754	67			
1	SRUT PANEL RH		706017				0754	67			
4	BOLT LWR PNL		451976				0754	50			
8	WA PNL BOLT		9421042				0754	50			
4	BOLT PNL BOLT		9431796				0754	50			
1	PNL GA INSL LH		2012689				0782	59			
1	PNL GA INSL RH		721353				0782	59			
1	PNL LA INSL RH		2005007				0782	59			
1	PNL LA INSL LH		2005006				0782	59			
1	INSUL CR FLR		721352				0782	59			
*	ADHESIVE	AS REQD	9985134				0782	59			
*	ADHESIVE BODY		6360760				0782	59			
2	SEAL,GA PNL		2034447				0782	59			
2	SEAL,LA PNL		2034448				0782	59			

53000

7E00X00

MODEL APPLICATION
BODY FRT FRAME

UPC DESCRIPTION

MODEL YEAR 75

ORIGIN DATE 77013

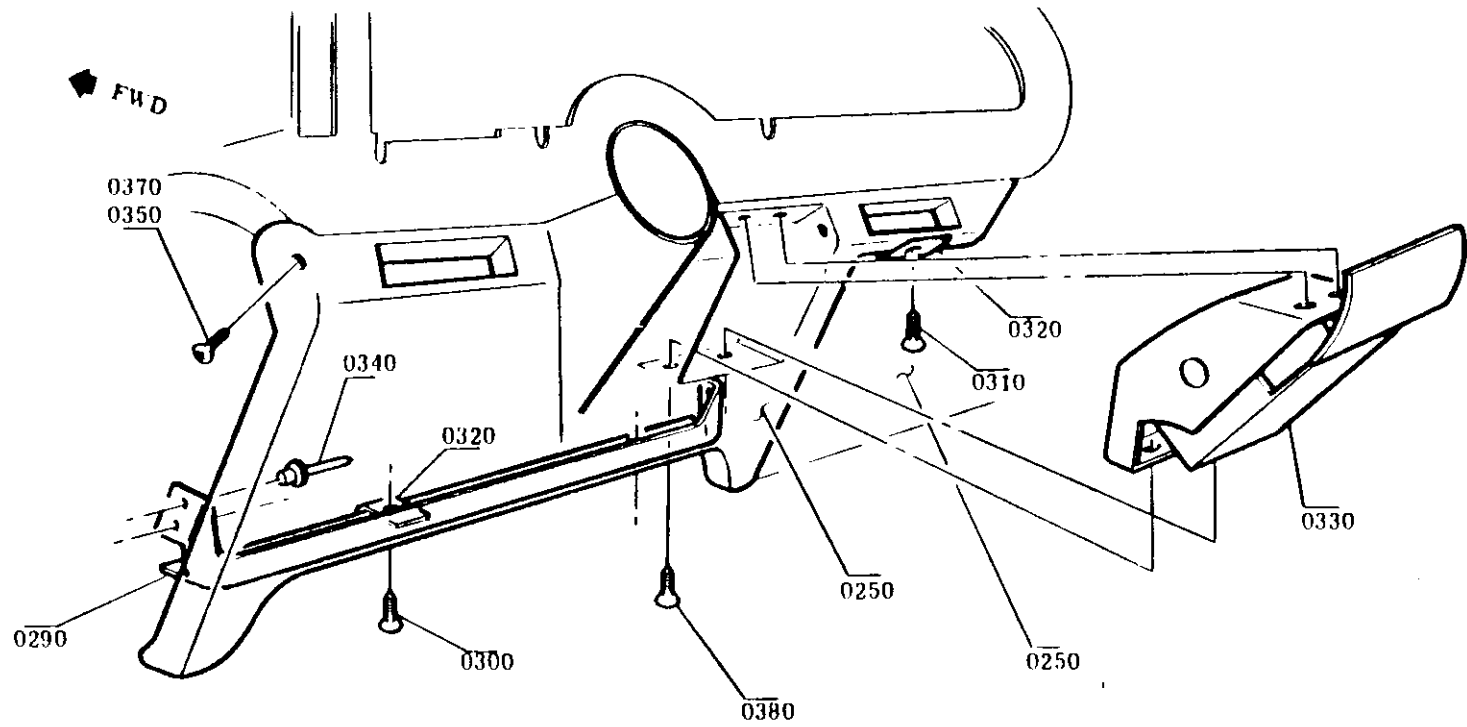
LAST CORR DATE 771008

ASSEMBLY CODE 61394

70 104A A 6

SK U P C SHP PAGE

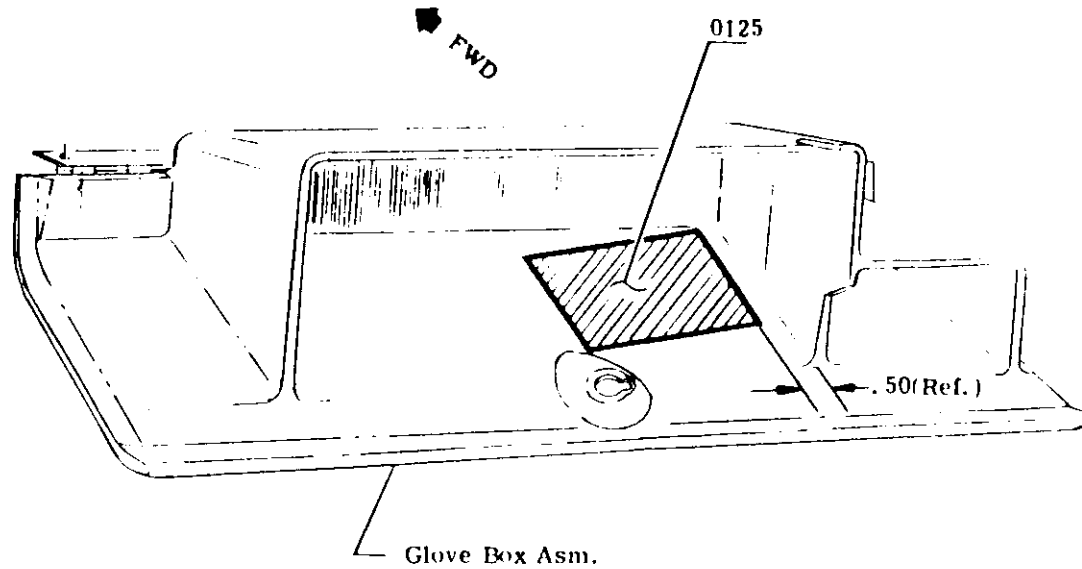
GMT 922 1/75



DYNAMIC (Installation) - LBS	HAND (Inspection) - LBS	DATE	SYM	REVISION	AUTH	DR	CK	DEPARTMENTS	TITLE
				ORIGINAL RELEASE	1/2000	45			1978 TRUCK BOOK 70
									INSTRUMENT PANEL VALANCE
									NAME: INSTRUMENT PANEL
									DIVISION/UPC: 1C2B
									SHEET: 4

- △
- △
- △
- △
- △

GMF 922 1 75



DYNAME (Installation) - LBS	MAWD (Inspection) - LBS	DATE	SYM	REVISION	AUTH	DR	CR	DEPARTMENTS	TITLE	BOOK
		1-7-77		ORIGINAL RELEASE	470006				'78 TRUCK	BOOK
									WARNING LABEL ZEO6083, ZEO6583	
									INSTRUMENT PANEL	DIVISION/UPC 1C2B
										SHEET 5

PRODUCT DESCRIPTION MANUAL
ASSEMBLY INFORMATION

ITEM	S E Q	P V S	RT OR TOOL DESCRIPTION	ADD'L DATA	Q T Y	PART NUMBER	E N G I N E C O D E S	S E R I E S	B O Y B R K	I T E M R E S T R I C T I O N	D E P A R T M E N T S		C H A N G E		L O G I C C O D E	F U N C T I O N C O D E	A D D I T I O N A L C O D E S	E N A	L I N E N O S
											#1	2/STA	CD	AUTH					
AA01014			INST PNL L/D		*	L6920					0782								1.9
AA02014			C/BOX LK U INSTL		*	L7871					0782								1.10
AA03014			INST CSTR INSTL		*	L8039				STD/UM2/U58/697/698	0782								1.12
AA04014			INST CSTR INSTL		*	L7869				641T/685T	0782								1.14
AA05014			LK CYL ENTR		*	L6635					0782								1.16
AA05014			LK INSTL		*						0782								1.17
AA06014			STRG CUL VAL PNL		*	L6913					0782								1.19
AA07014			INDV G/S RECEPT		*	L7844				U97	0782								1.21
AA08014			DECAL LCC		*	L4324					0782								1.23

1 2 3 4 5 F.M.V.S.B.	2E06XG0	MODEL YEAR 1978
	MODEL APPLICATION	ORIGIN DATE 770714
	INSTRUMENT PANEL	LAST CHG. DATE
	UPC DESCRIPTION	LAST CHG. CODE
REFERENCE	70 1024 A 1	BK U. P. C. GMP PAGE

PRODUCT DESCRIPTION MANUAL

ASSEMBLY INFORMATION

GMT 1981 REV. 8/78

GMC TRUCK & COACH

ITEM	PART OR TOOL DESCRIPTION	ADD'L DATA	QTY	PART NUMBER	M O D	ENGINE CODES	SERIES	BODY BRK	ITEM RESTRICTION	DEPARTMENTS		CHANGE CD	AUTH	LOGIC CODE	FUNCTION CODE	ADDITIONAL CODES	P.N.A.	LINE NOS
										#1	2-STA							
0010AA	PANEL ASM INSTR		1	2003627				83		0782	44			0000440000			00100	1-24
0010AB	PANEL ASM INSTR		1	2003627				81641/697/685		0782	44			6038440000			00100	1-24
0010AC	PANEL ASM INSTR		1	2003628				81698		0782	44			3484440000			00100	1-24
0010AA1	NOTE: ITEM 0010AA, 0010AB & 0010AC ARE PART OF ASM #0005.									0782	44							1-30
0011CA	PNL LH INST		1	2000705				83		0782	44						04004	1-32
0011CB	PNL LH INST		1	2000705				81641/697/685		0782	44						04004	1-32
0011CC	PNL LH INST		1	2003629				81698		0782	44						04004	1-32
0012CA	PNL RH INST		1	2000706				83		0782	44						04114	1-32
0012CB	PNL RH INST		1	2000706				81641/697/685		0782	44						04114	1-32
0012CC	PNL RH INST		1	2003630				81698		0782	44						04114	1-32
0013CA	PNL LWR HTR UTFL		1	2005136				83		0782	44						04174	1-40
0013CB	PNL LWR HTR UTFL		1	2005136				81641/697/685		0782	44						04174	1-40
0013CC	PNL LWR HTR UTFL		1	2005137				81698		0782	44						04174	1-40
0014CA	PNL LWR INSTR		1	2005204				83		0782	44						04174	1-40
0014CB	PNL LWR INSTR		1	2005204				81641/697/685		0782	44						04174	1-40
0014CC	PNL LWR INSTR		1	2005205				81698		0782	44						04174	1-40
0015CA	PAU MAIN CRASH		1	2000707				83		0782	44						03819	1-50
0015CB	PAU MAIN CRASH		1	2000707				81641/697/685		0782	44						03819	1-50
0015CC	PAU MAIN CRASH		1	2003213				81698		0782	44						03819	1-50
0016CA	BRKT VAL SUPT		1	2001523						0782	44						01302	1-32
0017CA	REINF G/BOX		1	2005209				83		0782	44						03101	1-50
0017CB	REINF G/BOX		1	2005210				81641/697/685		0782	44		00754				03101	1-50
0017CC	REINF G/BOX		1	2005210				81698		0782	44						03101	1-50
0018CA	RIVET		21	716846						0782	44						03821	1-50
0019CA	ADHESIVE A/K		*	8861067						0782	44						00038	2-1
0020CA	RIVET		11	683102						0782	44						05437	2-2
0040AA	SCR REINF I/P		4	9436828						0782	44						00110	2-3
0050AA	WA I/P UPR MTG		10	140251						0782	44						00124	2-7
0060AA	SCR I/P UPR MTG		10	9419873						0782	44						00125	2-7
0070AA	SCR & WA LWR		9	4703984						0782	44						00126	2-11
0080AA	COMPT INSTR PNL		1	2005281				83		0782	44			0000440000			00400	2-13
0080AB	COMPT INSTR PNL		1	2005281				81641/685/697		0782	44			6038440000			00400	2-13
0080AC	COMPT INSTR PNL		1	2005981				81698		0782	44			3484440000			00400	2-13

	ZE06 X00	MODEL YEAR 1978 ORIGIN DATE 770714 LAST CHG DATE 770919 LAST CHG CODE 00754
F.M.V.B.B.	REFERENCE	MODEL APPLICATION INSTRUMENT PANEL UPC DESCRIPTION
		70 1026 A 2 BK U. P. C. GRP PAGE



PRODUCT DESCRIPTION MANUAL

ASSEMBLY INFORMATION

GMT 1061 REV 5/75

GMC TRUCK & COACH

ITEM	QTY	PART OR TOOL DESCRIPTION	ADD'L DATA	PART NUMBER	ENGINE CODES	SERIES	BOY BRK	ITEM RESTRICTION	DEPARTMENTS		CHANGE CD	AUTH	LOGIC CODE	FUNCTION CODE	ADDITIONAL CODES	LINE NOS
									#1	2 STA						
0090AA	4	SC REINF TO DA		942692A					0782	44						2.18
0100AA	1	STRIKER COMPT LP		4032F9					0782	44			0000440070			2.20
0110AA	2	SCR STRK & UPR		1916P0					0782	44						2.22
0120AA	2	NUT REINF SCR		222936P					0782	44						2.24
0129AA	1	LABEL WARN		201634P			F3		0782	44			0000440075			2.26
0130AA	1	SET ASM SEC LK		2730074			E1	U97-ENA/ENN	0782	38	CORR	6544380185				2.28
0130AH	1	SET ASM SEC LK		2030071			R3		0782	38	CORR	0000380185				2.29
0140AA	1	CYL 11CV RECEPT		2030079				U97-ENA/ENN	0782	38	CORR	6561380035				2.31
0150AA	1	RETAINER		9728247				U97-ENA/ENN	0782	38	CORR	6561380040				2.33
0160AA	1	CASE ASM DR LK		403297					0782	44			0000440085			2.35
0170AA	1	ESCUTCHEON		4032F6					0782	44			0000440090			2.37
0180AA	1	BEZEL INST CSTR		7185P4					0782	45			0000450005			2.39
0190AA	4	SCR CSTR BZL		9419313					0782	45						2.41
0200AA	4	NUT 97L SCR		9431550					0782	45						2.43
0210AA	1	PNL INST CSTR		790072			R3		0782	45			0000450010			2.45
0210AB	1	PNL INST CSTR		790072			R1	641/685/697	0782	45			6038450010			2.46
0210AC	1	PNL INSTR CSTR		2001314			R1	698	0782	45			3484450010			2.47
0220AA	2	SCR PNL7I/PP		941616P					0782	45						2.49
0230AA	2	NUT PNL SCR		9420137					0782	45						2.51
0240AA	1	PNL FOAM RING		2003206			R3		0782	45			0000450015			2.53
0240AB	1	PNL FOAM RING		2003278			R1	641/697/685	0782	45			6038450015			2.54
0240AC	1	PNL FOAM RING		2003207			R1	698	0782	45			3484450015			2.55
0250AA	1	PNL 17P VALANCE		2000708			F3		0782	50			0000500025			2.56
0250AB	1	PNL 17P VALANCE		2000708			R1	641/685/697	0782	50			6038500025			2.58
0250AC	1	PNL 17P VALANCE		2001711			R1	698	0782	50			3484500025			2.59
0260AA	1	COVER ROD GPG		326178				-UM2/U5P	0782	45			0459450020			3.2
0270AA	1	RETAINER CVR		326179				-UM2/U5E	0782	45			0459450025			3.4

F M V S S	REFERENCE	ZEMEXON		MODEL YEAR 1978
		MODEL APPLICATION INSTRUMENT PANEL		ORIGIN DATE 770714
		UPC DESCRIPTION		LAST CHG. DATE 770922
				LAST CHG. CODE 0754
				70 IC28 A 3
				8K V. P. C. 09P PAGE

ITEM	SEQ	PVS	T OR TOOL DESCRIPTION	ADD'L DATA	QTY	PART NUMBER	M O D	ENGINE CODES	SERIES	BOY BRN	ITEM FRICTION	DEPARTMENTS		CHANGE		LOGIC CODE	FUNCTION CODE	ADDITIONAL CODES	FNA	F S	
												#1	2/STA	CD	AUTH						
280AA			SCR NET CVR		1	9414726					UM2/U56	0782	45								3.6
290AA			FRNT VAL PNL		1	2000300						0782	45			0000	450030				3.8
300AA			SCR VAL PNL		2	161895						0782	50								3.10
310AA			SCR VAL PNL		2	9414724						0782	50								3.12
320AA			NUT VAL PNL SCR		4	9422836						0782	50								3.14
330AA			TRAY ASM ASM		1	2003208			83			0782	50			0000	500030				3.16
330AB			TRAY ASM ASM		1	2003208			81641/685/697			0782	50			6038	500030				3.17
330AC			TRAY ASM ASM		1	2003209			81698			0782	50			3484	500030				3.18
340AA			RIVET		4	2491399						0782	50								3.20
350AA			SCR V/P TO I/P		2	9417311						0782	50								3.22
360AA			SCR V/P TO I/P		1	9420721						0782	50								3.24
370AA			NUT		1	1603529						0782	50								3.26
380AA			SCR V/P TRAY		4	9419663						0782	50								3.28
390AA			SCR G/BOX		4	9422245						0782	44								3.30
400AA			STOP G/BOX		1	1603122						0782	44			0000	440095				3.32
410AA			SCR STOP		1	9415366						0782	44								3.34
420AA			RIVNUT		1	2464969						0782	44								3.36
430AA			RIVET		1	2018275						0782	44								3.38

F M V S S	REFERENCE	2E06X00	MODEL YEAR 1978
		MODEL APPLICATION INSTRUMENT PANEL	ORIGIN DATE 770714
		UPC DESCRIPTION	LAST CHG. DATE
			LAST CHG. CODE
			70 1C2B A 4
			BK U. P. C. BRP PAGE

PRODUCT DESCRIPTION MANUAL

ASSEMBLY INFORMATION

QMT 1081 REV. 5/78

GM TRUCK & COACH

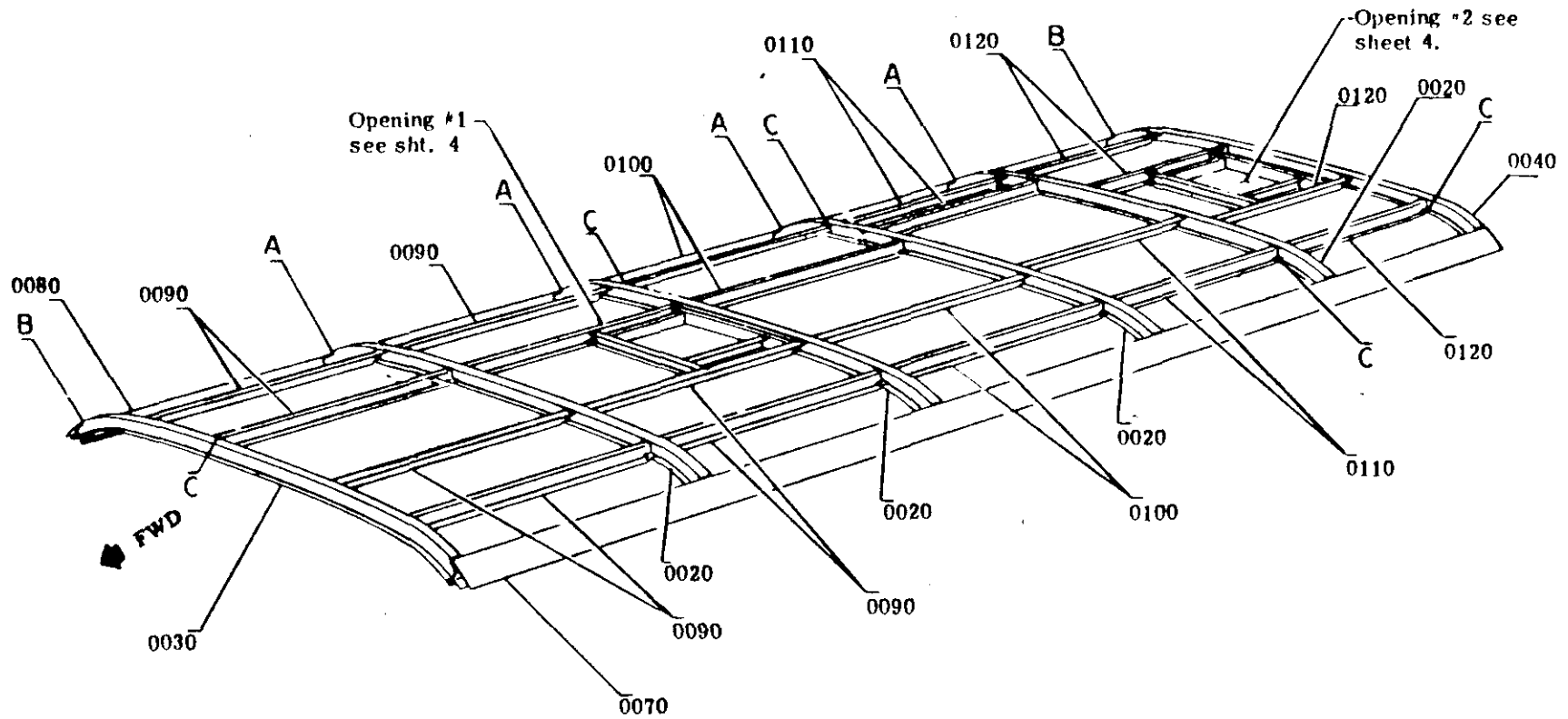
ITEM	REV	QTY	UNIT OR TOOL DESCRIPTION	ADD'L DATA	QTY	PART NUMBER	ENGINE CODES	SERIES	BODY	ITEM RESTRICTION	DEPARTMENTS		CHANGE		LOGIC CODE	FUNCTION CODE	ADDITIONAL CODES	FNA	LINE NOS
											#1	2/STA	CD	AUTH					
101014			W/S GLASS			L2068					07P2	49							1.8
101014			GLASS W/S LH		1	601607					07P2	49		0000	4900	30			1.18
102014			GLASS W/S RH		1	591608					07P2	49		0000	4900	35			1.21
103014			W/S TOP ASM		1	701894					07P2	49		0000	4900	40			1.23
104014			FILLER		1	37944					07P2	49							1.25

7-018X00

MODEL APPLICATION
WINDSHYIELD SECTION
UPC DESCRIPTION

MODEL YEAR IS 77
ORIGIN DATE 770714
LAST CHG. DATE
LAST CHG. CODE 70 1C20 A 1
BK. U. P. C. ORP PAGE

GMT 922 1-73



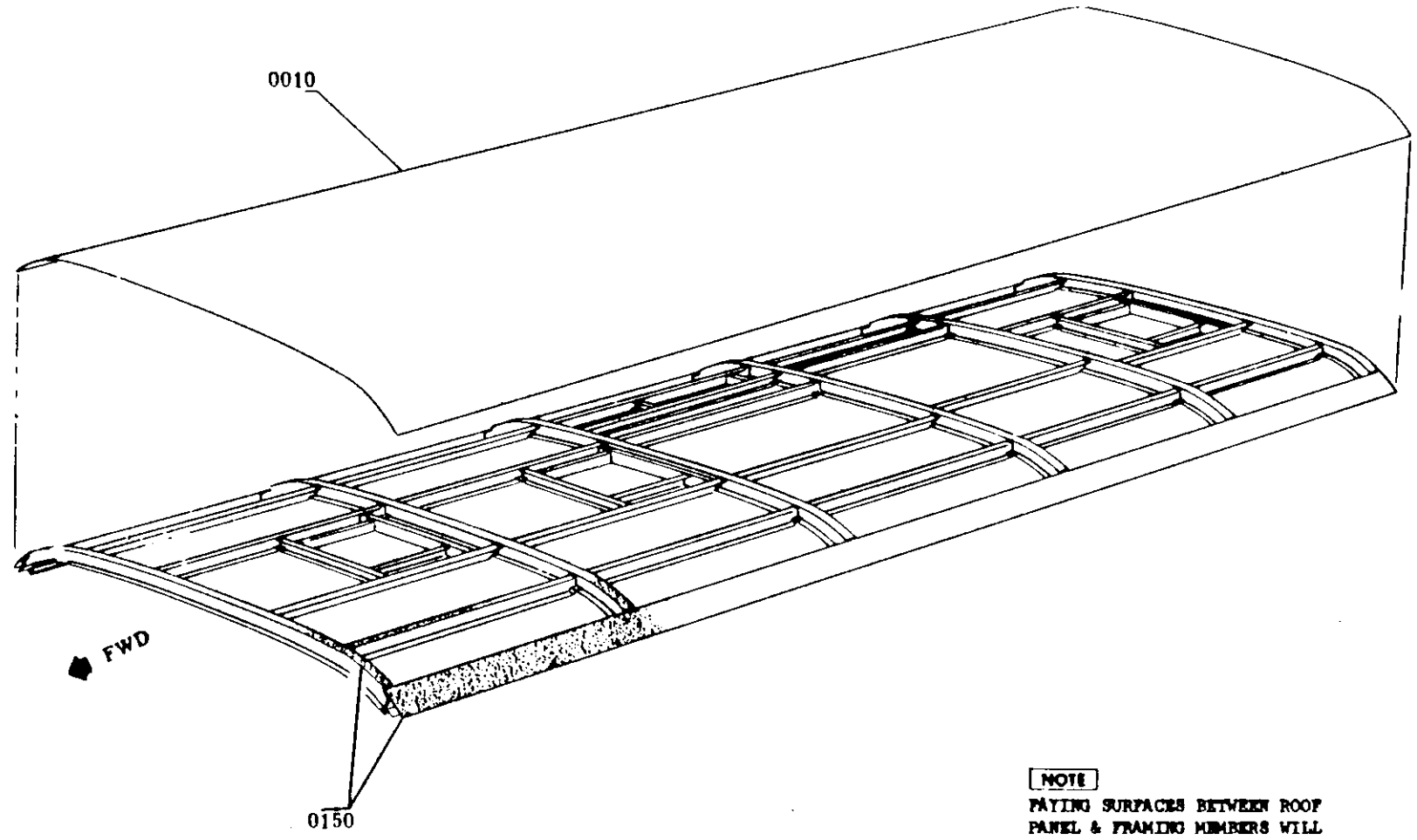
NOTE
 Roof Bow Spacers
 Items 0050 & 0060
 not shown, use as
 required.

NOTE FOR WELDING SECTIONS
 SEE THE FOLLOWING:
 A - See sht. 3
 B - See sht. 3
 C - See sht. 3

DYNAMIC (Inspection) - LBS	STATIC (Inspection) - LBS	DATE	SYM	REVISION	AUTH	DR	CR	DEPARTMENTS	TITLE
		1/28/73		ORIGINAL RELEASE	H7000	STP			70 TRUCK BOOK 70
									FRAMING & WELDING
									26'
									ROOF
									IC3
									SHEET 1



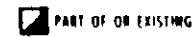
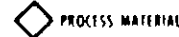
GMT 922 1-73



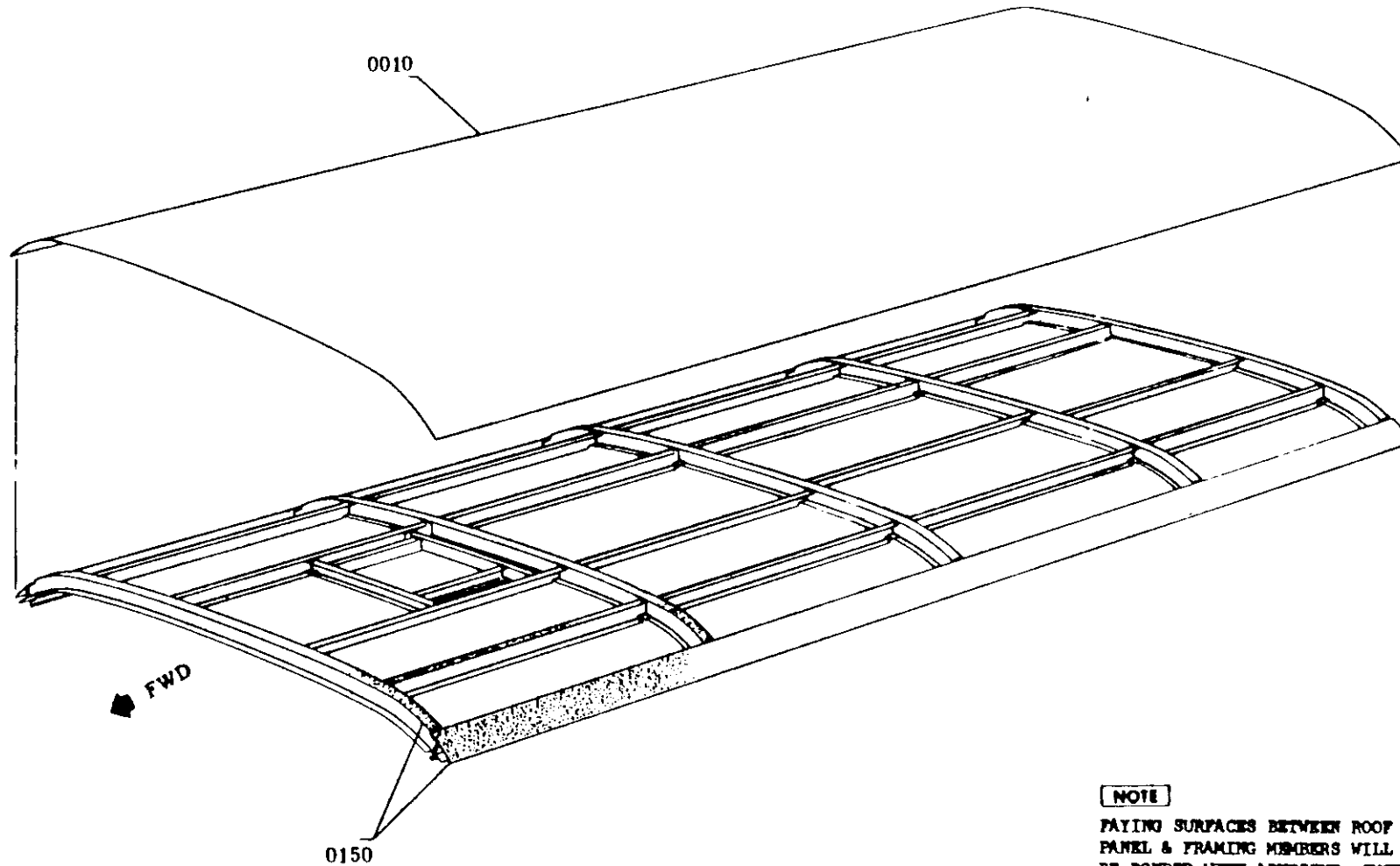
NOTE
 PAYING SURFACES BETWEEN ROOF
 PANEL & FRAMING MEMBERS WILL
 BE BONDED WITH ADHESIVE, SUFFICIENT
 ADHESIVE TO BE USED IN EACH JOINT
 TO FORM A WITNESS BEAD.

DYNAMIC (Inspection) - LBS	HAND (Inspection) - LBS	DATE	SYM	REVISION	AMT	DR	CR	DEPARTMENTS	73 TRUCK	BOOK 70
		1/28/77		ORIGINAL DESIGN	47000	5/11/76			TITLE	
									PANEL TO FRAME ASM.	
									26"	
									NAME	
									ROOF	
									NUMBER	
									1C3	
									SHEET	
									5	





GMT 922 1-73



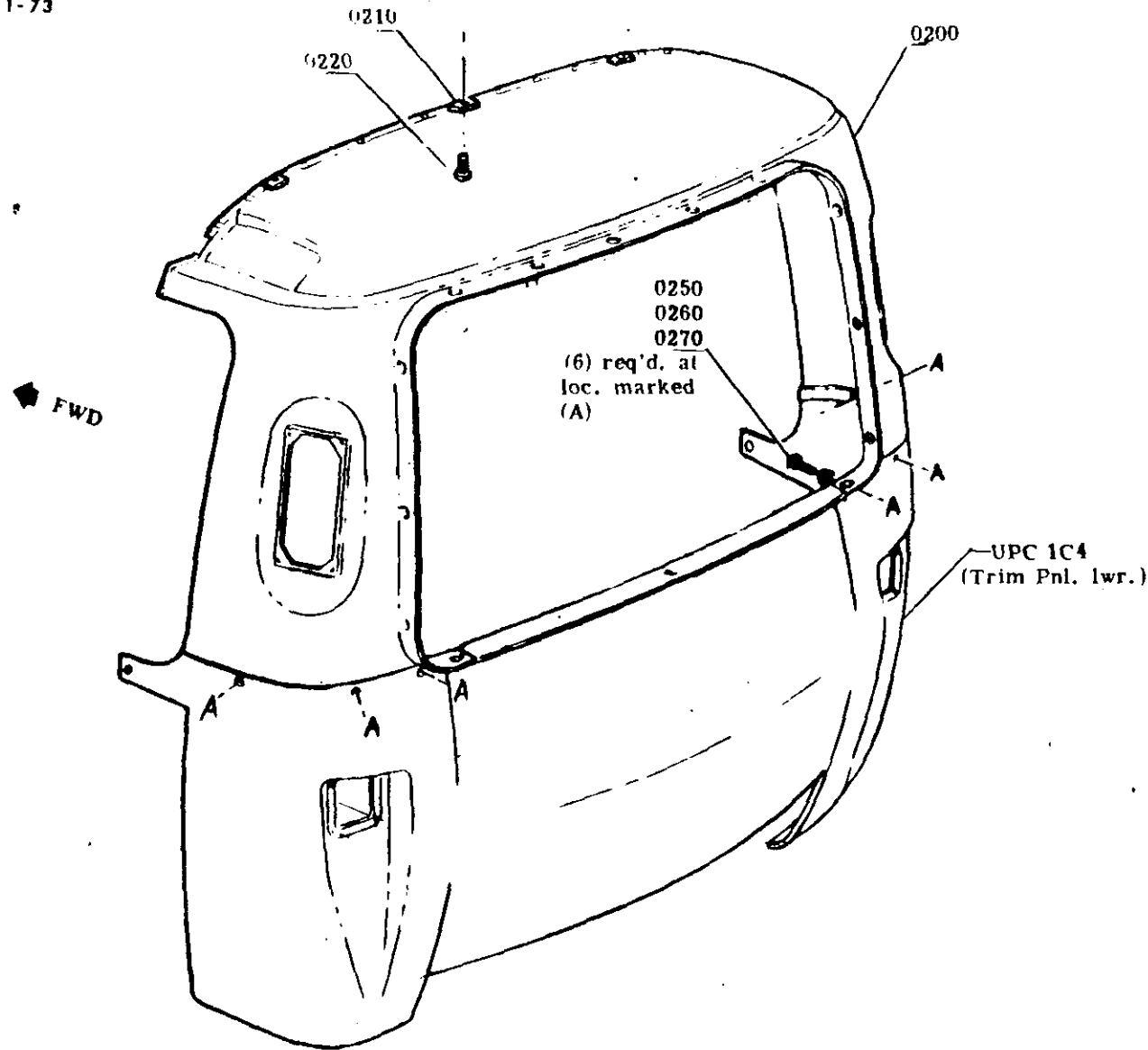
NOTE

PAYING SURFACES BETWEEN ROOF
PANEL & FRAMING MEMBERS WILL
BE BONDED WITH ADHESIVE, SUFFICIENT
ADHESIVE TO BE USED IN EACH JOINT
TO FORM A WITNESS HEAD.

DYNAMIC (Installation) - LPS	HAND (Inspection) - LPS	DATE	SYM	REVISION	AUTH	DR	CK	DEPARTMENTS	'78 TRUCK BOOK 70	
		6-15-77		ORIGINAL RELEASE	47000	578			TITLE PANEL TO FRAME ASSEMBLY 23'	
									NAME ROOF	DIVISION IC3
									SHEET 6	



GMT 922 1-73



DYNAMIC (Installation) - LBS	HAND (Inspection) - LBS	DATE	SYM	REVISION	AUTH	DR	CR	DEPARTMENTS
		2 17		ORIGINAL RELEASE	47000	ST		

'78 TRUCK **BOOK 70**

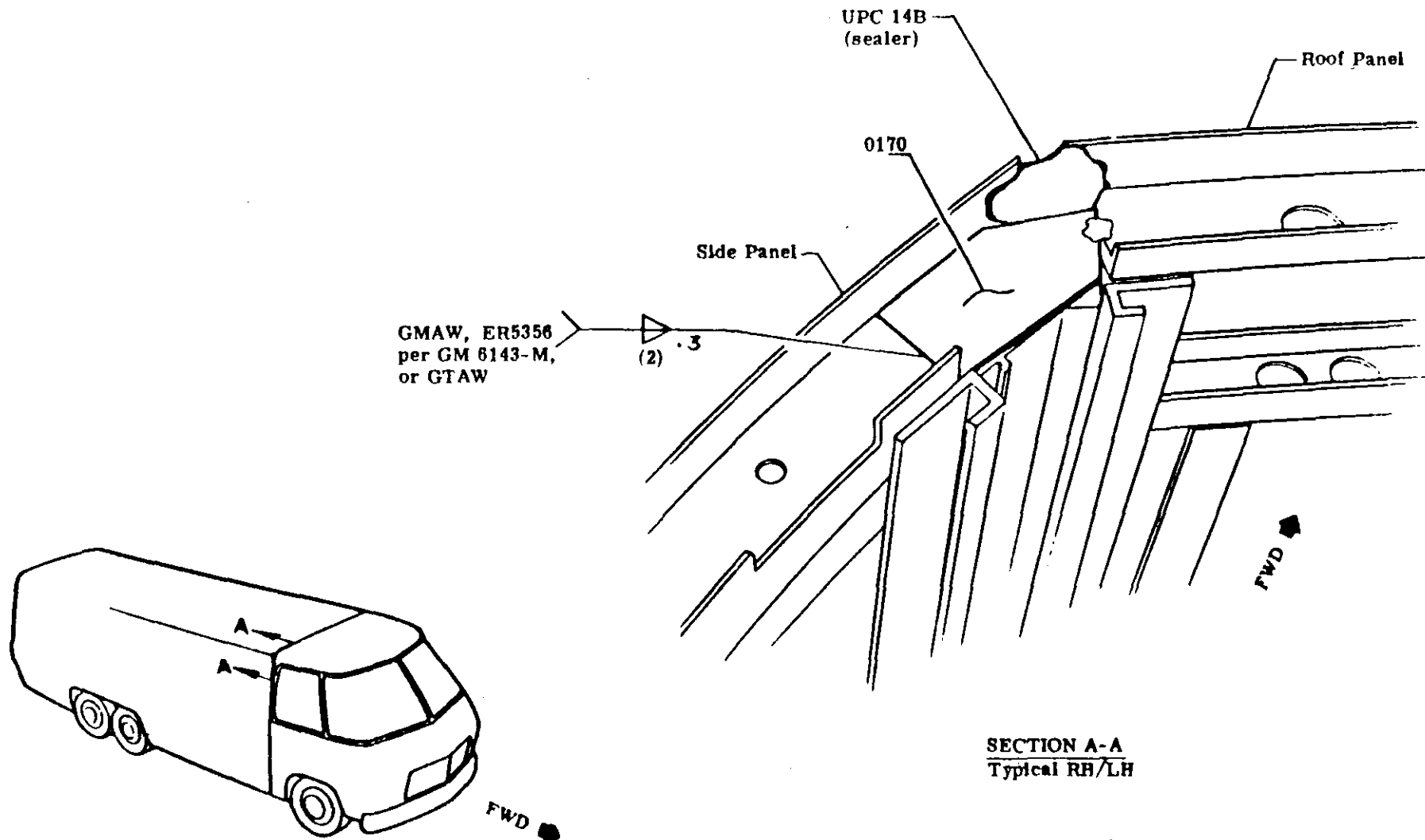
TITLE
REAR END INTERIOR TRIM

NAME ROOF	DIVISION 1C3	SHEET 10
---------------------	------------------------	--------------------



□ ITEM REFERENCE ◇ PROCESS MATERIAL △ TORQUE ▣ PART OF OR EXISTING

GMT 922B 1/75



SECTION A-A
Typical RH/LH

DYNAMIC (Installation) - LBS	HAZ (Inspection) - LBS	DATE	SYM	REVISION	AUTH	DR	CK	DEPARTMENTS	78 TRUCK	BOOK 70
▲		6-24-75		ORIGINAL RELEASE	47100	517			TITLE	
▲									COVER - EXTRUSION FRONT	
▲									NAME	DIVISION / UPC
▲									ROOF	1C3
▲										SHEET
▲										11

PRODUCT DESCRIPTION MANUAL

ASSEMBLY INFORMATION

GMT 1081 REV. 6/78

GMC TRUCK & COACH

ITEM	S E R I E S	PART OR TOOL DESCRIPTION	ADD'L DATA	Q T Y	PART NUMBER	ENGINE CODES	SERIES	REV	ITEM RESTRICTION	DEPARTMENTS		CHANGE		LOGIC CODE	FUNCTION CODE	ADDITIONAL CODES	FNA	LINE NOS
										#1	2/STA	CD	AUTH					
A01014		RR SPR INSTL		*	L4253					0702								1.8
A02014		SI TO PNL INSTL		*	L2988					0702								1.10
A03014		FRONT OF CAP INR		*	L2997					0702								1.14
A03024		PANEL								0702								1.14
A04014		RR SURFACE F		*	L3863					0702								1.15
A04024		STRUCTURE MESH								0702								1.16
A05014		W/S DOOR FOR L		*	M011078					0702								1.18
A05024		DRILL INSTL								0702								1.18
A06014		RR END INTL TO		*	L5204					0702								1.21
A07014		RR INSTL		*	L2954				STD7BPP7HR57CNV7UNR	0702								1.23
A08014		DOOR PANEL F FR		*	M012785					0702								1.25
A08024		ASH BOX DRILL								0702								1.26
A08034		CEILING VENTS								0702								1.27
A09014		DOOR SEAL		*	L8700					0702								1.28
A10014		INTL TO DR OF		*	M012908					0702								1.31
A10024		PNL DRILL INSTL								0702								1.32
A11014		FRONT OF CAP INR		*	L2987					0704								1.34
A11024		PANEL								0704								1.35
A12014		W/S DOOR FOR T		*	M011071					0782								1.37
A12024		DRILL INSTL								0782								1.38
001014		PANEL RING		I	88888		85			0702	3		0000	0300	05			1.40
001024		PANEL RING		I	891605		80			0702	3		0000	0300	05			1.41
002014		RHW RING		4	888801		85			0702	3		0000	0300	10			1.43
002024		RHW RING		4	888803		80			0702	3		0000	0300	10			1.44
003014		RHW RING FOR		I	715890					0702	3		0000	0300	15			1.46
004014		RHW RING DR		I	715420					0702	3		0000	0300	20			1.48
005014		SPACE OF CAP		*	715890					0704	0		0000	0900	05			1.50
006014		SPACE OF CAP		*	715890					0704	0		0000	0900	00			1.52

Z005000

MODEL YEAR 1978
 ORIGIN DATE 770714
 LAST CHG DATE
 LAST CHG CODE
 70 103 A 1

MODEL APPLICATION
 NAME

UPC DESCRIPTION

BK U. P. C. GRP PAGE

PRODUCT DESCRIPTION MANUAL

ASSEMBLY INFORMATION

GMT 1061 REV. 8/75

GM TRUCK & COACH

ITEM	PART OR TOOL DESCRIPTION	ADD'L DATA	QTY	PART NUMBER	ENGINE CODES	SERIES	BODY BRN	ITEM RESTRICTION	DEPARTMENTS		CHANGE		LOGIC CODE	FUNCTION CODE	ADDITIONAL CODES	FNA	LINE NOS
									#1	2 STA	CD	AUTH					
0070AA	BEAM COR LNGTDNL		1	688803		65			0702	0			0000993005		M04800	1.54	
0070AB	BEAM COR LNGTDNL		1	691603		60			0702	0			0000993005		M04800	1.55	
0080AA	BEAM COR LNGTDNL		1	715343		65			0702	0			0000993010		M04800	1.57	
0080AB	BEAM COR LNGTDNL		1	715344		60			0702	0			0000993010		M04800	1.58	
0090AA	REINF RF LNGTDNL		8	2016389					0702	0			0000993015		M04900	2.1	
0100AA	REINF RF LNGTDNL		4	698139					0702	0			0000993020		M04900	2.3	
0110AA	REINF RF LNGTDNL		4	698138					0702	0			0000993025		M04900	2.5	
0120AA	REINF RF LNGTDNL		4	691604		65			0702	0			0000993030		M04900	2.7	
0130AA	REINF HATCH UPG		2	688807				-CNV/UNR	0702	0			3660993035		M05000	2.9	
0130AB	REINF HATCH UPG		4	688807				CNV/UNR	0702	0			3608993035	M	05000	2.10	
0140AA	REINF A7C RF UPG		2	688804				-CNV/UNR	0702	0			3607993040		M05100	2.11	
0140AB	REINF A7C RF UPG		4	688804				CNV/UNR	0702	0			3608993040	M	05100	2.13	
0150AA	ADHESIVE RF PNL		4	8860768					0702	4					05300	2.15	
0160AA	RIVET PNL/BEAM		38	708648		65			0702	5					05400	2.17	
0160AB	RIVET PNL/BEAM		30	708648		60			0702	5					05400	2.18	
0170AA	COVER FRT SEAL		2	2005435					0702	5			0000050150		M05425	2.20	
0180AA	COVER RR SEAL		2	2005436					0702	5			0000050155		M05450	2.22	
0190AA	BRKT AIR BOX MTG		5	791003		65		-CNV	0702	0			3449993045		M05525	2.24	
0190AB	BRKT AIR BOX MTG		10	791003				CNV	0702	0			3444993045	M	05525	2.25	
0200AA	PANEL RR RF ENR		1	2007909					0784	61			0000615010		M05600	2.27	
0210AA	CLIP CARLINE		3	9420137					0784	61			0000615015		M05610	2.29	
0220AA	SCREW CLIP		3	9414733					0784	61					05620	2.31	
0230AA	SCREW TR PNL		12	9431915					0784	61					05630	2.33	
0240AA	SCREW		4	9423437					0784	61					05630	2.35	

1 2 3 4 5		ZE05000	MODEL YEAR 1978 ORIGIN DATE 770714 LAST CHG DATE 770929
		MODEL APPLICATION ROOF	LAST CHG CODE 70 1C3 A 2
F.M.V.S.	REFERENCE	UPC DESCRIPTION	BK U. F. C. GRP PAGE



PRODUCT DESCRIPTION MANUAL

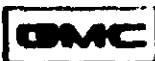
ASSEMBLY INFORMATION

GMT 1061 REV. 5/75

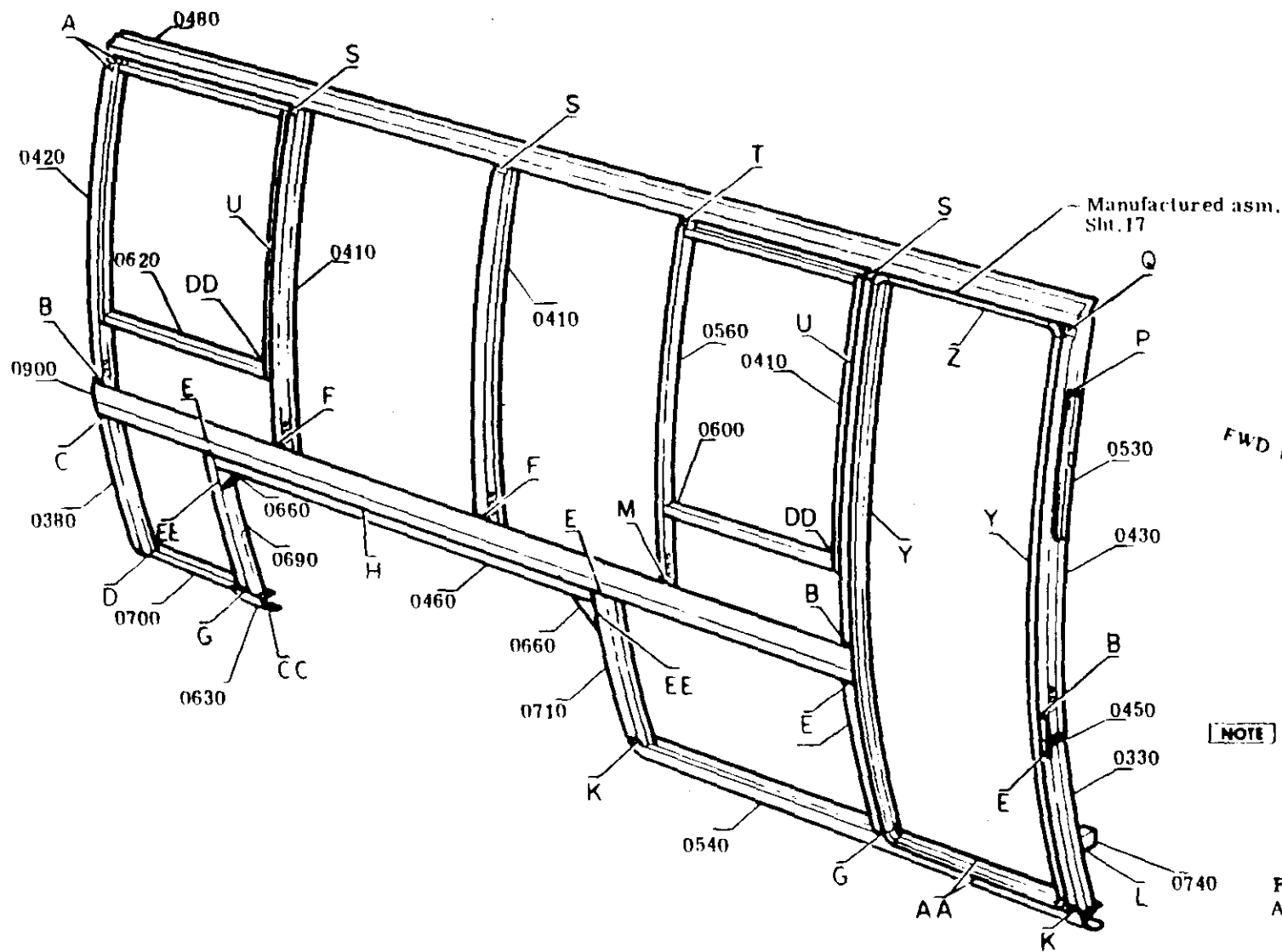
GM TRUCK & COACH

ITEM NO.	QTY	PART OR TOOL DESCRIPTION	ADD'L DATA	QTY	PART NUMBER	ENGINE CODES	SERIES	BODY BRN	ITEM RESTRICTION	DEPARTMENTS		CHANGE		LOGIC CODE	FUNCTION CODE	ADDITIONAL CODES	FNA	LINE NOS.
										RT	Z/STA	CD	AUTH					
0250AA		CLIP PNL/PNL		6	9431530					0784	61			0000	615000		M05640	2.3
0260AA		SCREW CLIP		6	9416160					0784	61						05650	2.39
0270AA		WASHER SCREW		6	140270					0784	61						05660	2.4
0280AA		PANEL RF FRY TR		1	696154					0782	43			0000	430005		M05700	2.43
0290AA		SCREW TR PNL		10	156798					0782	43						05800	2.45
0300AA		WASHER		10	140270					0782	43						05900	2.47
0310AA		TRACK DRAPE LH		1	707984					0782	43			0000	430010		M06000	2.49
0320AA		TRACK DRAPE RH		1	707983					0782	43			0000	430015		M06100	2.51
0330AA		RIVET TRACK		8	700368					0782	43						06200	2.53
0340AA		SCREW TRACK		2	716852					0782	43						06300	2.55

1 2 3 4 5 6 7 8 9 10 11 12 13 14 15 16 17 18 19 20 21 22 23 24 25 26 27 28 29 30 31 32 33 34 35 36 37 38 39 40 41 42 43 44 45 46 47 48 49 50 51 52 53 54 55 56 57 58 59 60 61 62 63 64 65 66 67 68 69 70 71 72 73 74 75 76 77 78 79 80 81 82 83 84 85 86 87 88 89 90 91 92 93 94 95 96 97 98 99 100	2E05000										MODEL YEAR IS 78 ORIGIN DATE 770714 LAST CHG. DATE 770929 LAST CHG. CODE 70 1C3 A 3 BR U. P. C. GRP PAGE							
	MODEL APPLICATION ROOF										VPS DESCRIPTION							
	REFERENCE																	
	F.M.V.S.S.																	



GMT 922 1-73



[NOTE] For Welding Sections see the following:

- A thru F Graphic sheet # 9
- C thru L Graphic sheet # 10
- M thru R Graphic sheet # 11
- S thru W Graphic sheet # 12
- FF thru Z Graphic sheet # 13
- AA thru EE Graphic sheet # 14

DYNAMIC (Installation) - LBS	STATIC (Inspection) - LBS	DATE	SYB	REVISION	AUTH	DR	CR	DEPARTMENTS
▲				ORIGINAL RELEASE				
▲								
▲								
▲								
▲								

'78 TRUCK **BOOK 70**

TITLE
FRAMING & WELDING RH
Z.E06083

BODY SIDE, REAR END, STR & DECK

DIVISION **1C4** SHEET **1**



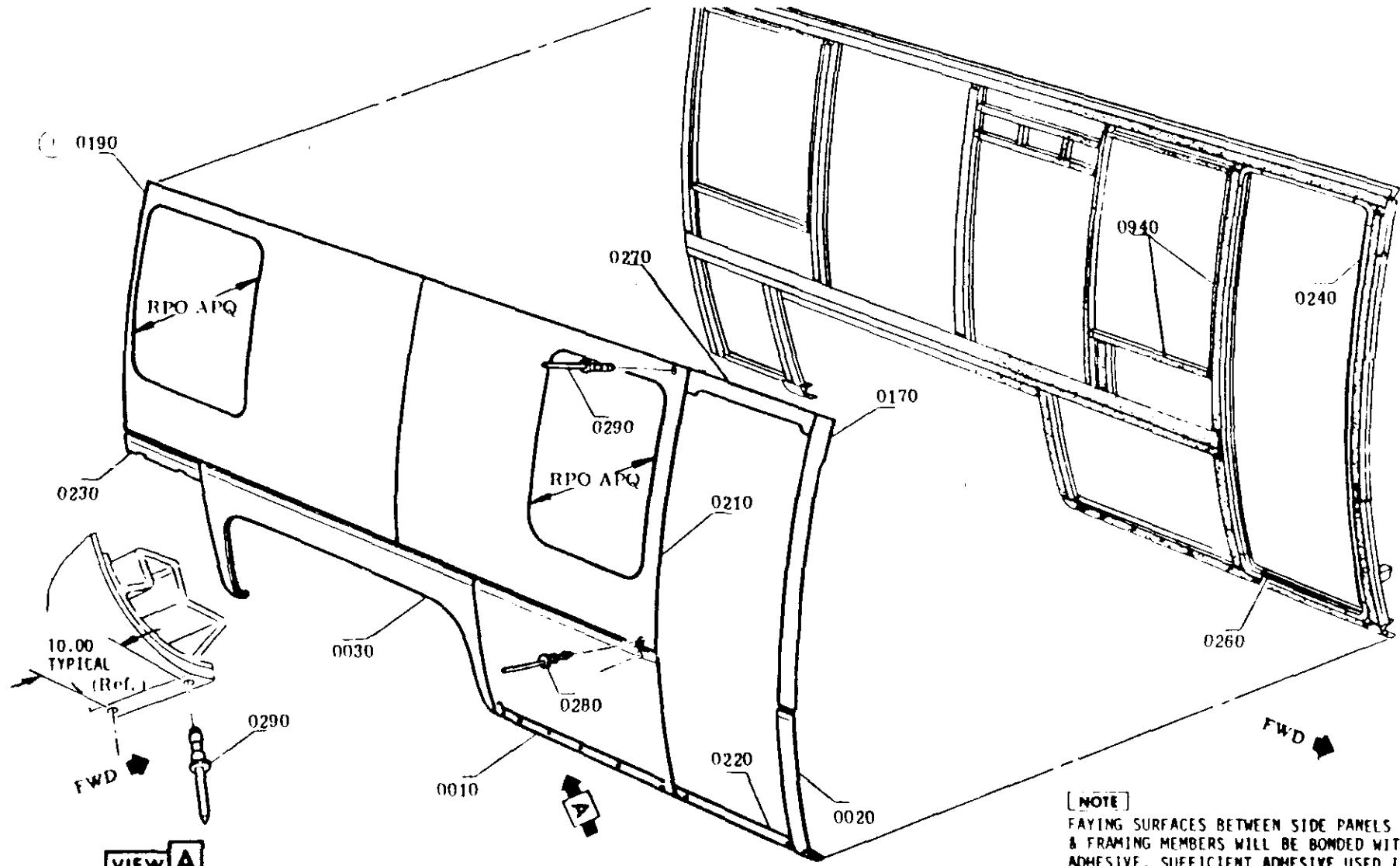
□ ITEM REFERENCE

◇ PROCESS MATERIAL

▲ TORQUE

▣ PART OF OR EXISTING

GMT 922 1-73



[NOTE]
 FAYING SURFACES BETWEEN SIDE PANELS
 & FRAMING MEMBERS WILL BE BONDED WITH
 ADHESIVE. SUFFICIENT ADHESIVE USED IN
 EACH JOINT TO FORM A WITNESS BEAD.

BY/CHK	DATE	SYM	REVISION	AMT	DR	CR	DEPARTMENTS
			ORIGINAL RELEASE	47000			

'78 TRUCK **BOOK 70**

TITLE
PANELS TO FRAME ASM. RH
ZEO6083

NAME
BODY SIDE,
REAR END,
QTR. & DECK

DIVISION
1C4

SHEET
2

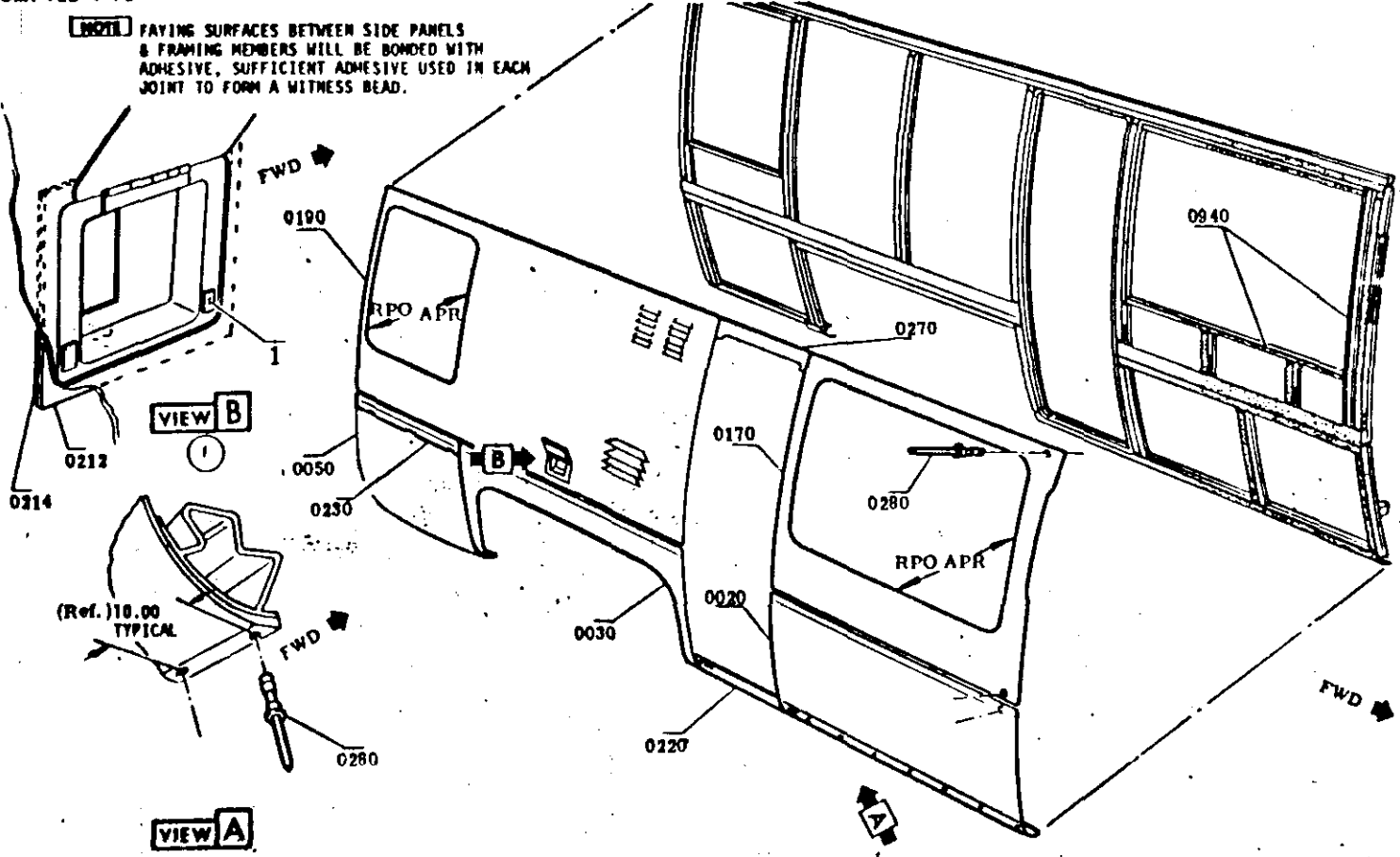
VIEW A



ITEM REFERENCE PROCESS MATERIAL FORMER PART OF AN EXISTING

GMT 922 1-78

NOTE PAINTING SURFACES BETWEEN SIDE PANELS & FRAMING MEMBERS WILL BE BONDED WITH ADHESIVE. SUFFICIENT ADHESIVE USED IN EACH JOINT TO FORM A WITNESS BEAD.



ITEM	PART
0020	691613
0030	691615
0050	694042
0170	792407
0190	689610
3220	691612
0230	696147 R
0270	702989
0280	700368
0940	8860766
0212	2012752
0214	2005011
1	8860660

SEE B/M

DATE	SYN	BY	CHK	DEPARTMENTS
1/27				GRIPPID
1/27				GRIPPID

78 TRUCK BOOK 70

WRE
PANEL TO FRAME ASSEMBLY RH
ZE06581, 83,

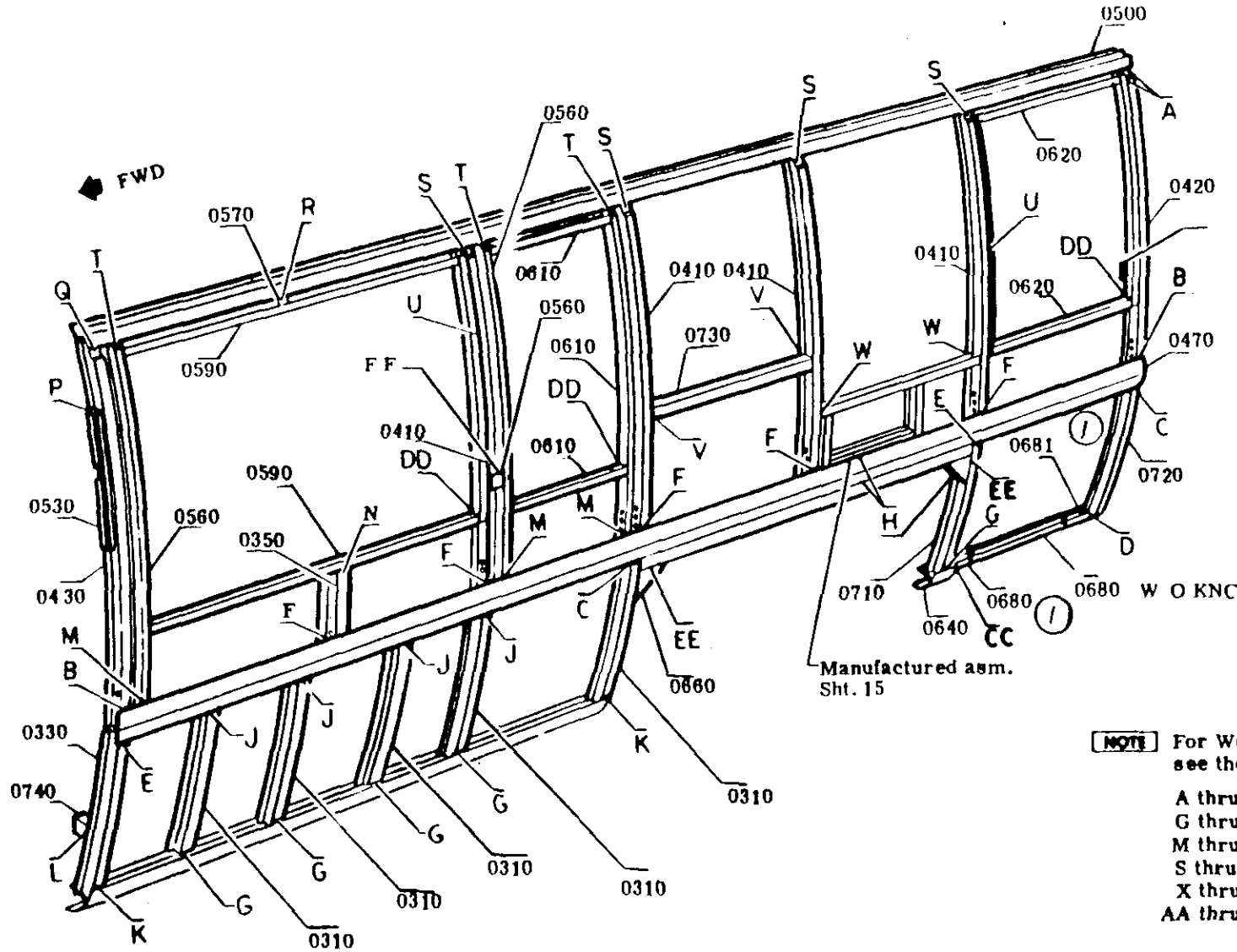
BODY SIDE, REAR END, QTR. & DECK

DIVISION **1C4** SHEET **6**

NUMBER L6606

PRELIMINARY

OMT 922 1-73



NOTE For Welding Sections
see the following:

- A thru F UPC 1C4 sht. #9
- G thru L UPC 1C4 sht. #10
- M thru R UPC 1C4 sht. #11
- S thru W UPC 1C4 sht. #12
- X thru Z UPC 1C4 sht. #13
- AA thru EE UPC 1C4 sht. #14

DATE	BY	REVISION	AMT	DR	CE	DEPARTMENT
7-2-77		ORIGINAL RELEASE	41000			
8-13-77		ITEM CANCELLED W/ LNC RDRD				

'78 TRUCK BOOK 70

TITLE
**FRAMING & WELDING L.H.
ZE06581**

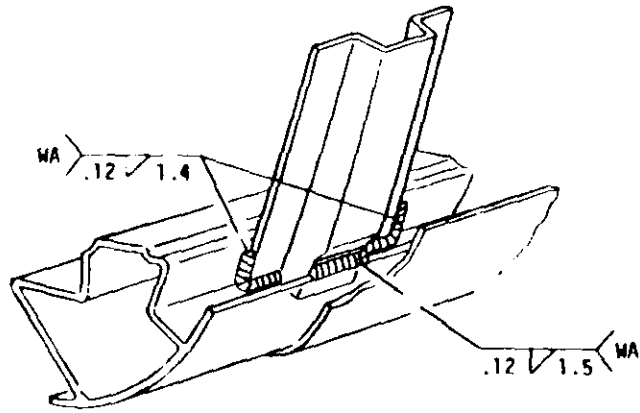
DATE
BODY SIDE,
REAR END,
OTL & DECK

REVISED
1C4

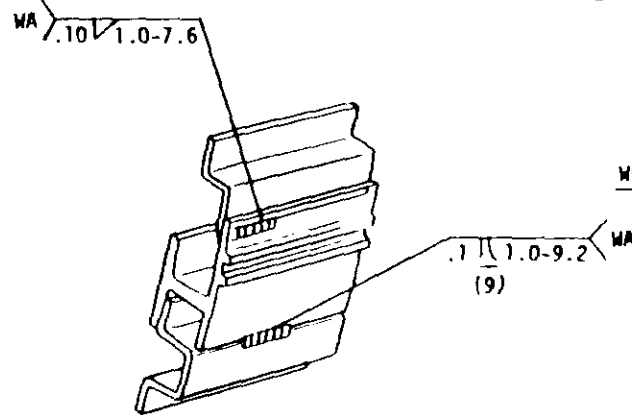
SHEET
7

□ ITEM REFERENCE ◇ PROCESS MATERIAL △ TORQUE ▣ PART OF OR EXISTING

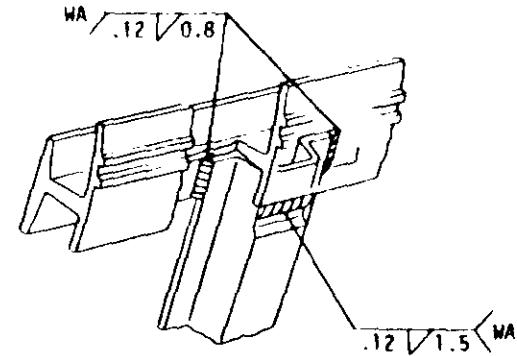
GMT 922 1-73



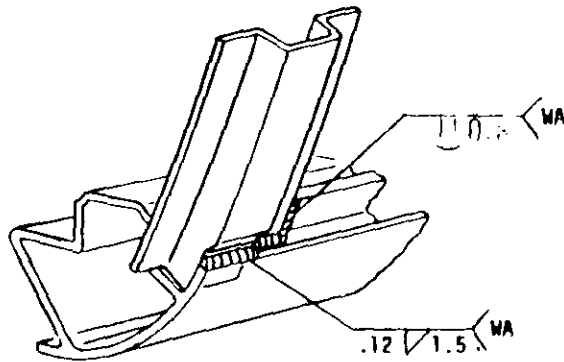
WELDING SECTION G



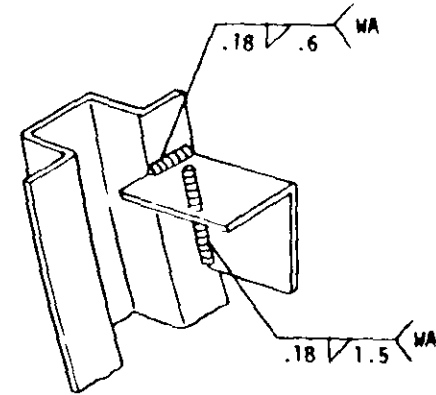
WELDING SECTION H



WELDING SECTION J



WELDING SECTION K



WELDING SECTION L

FORMER (Production) - LBS	HAND (Inspection) - LBS	DATE	SYM	REVISION	AUTH	DE	CK	DEPARTMENTS
△				ORIGINAL RELEASE	4/28/66			
△								
△								
△								
△								

78 TRUCK

TITLE: **WELDING SECTIONS**

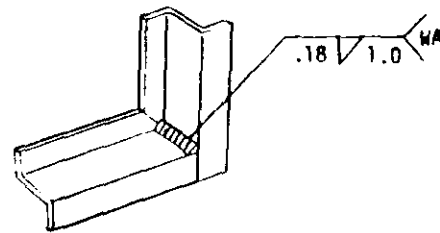
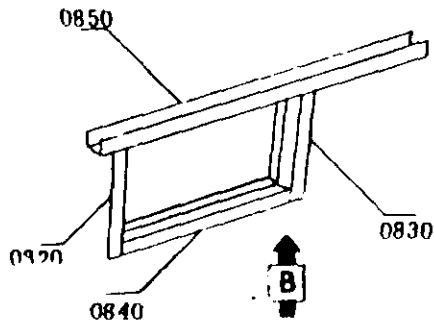
NAME: **BODY SIDE, REAR END, STR. & DECK**

BOOK **70**

DIVISION: **1C4**

SHEET: **10**

GMT 922 1-73



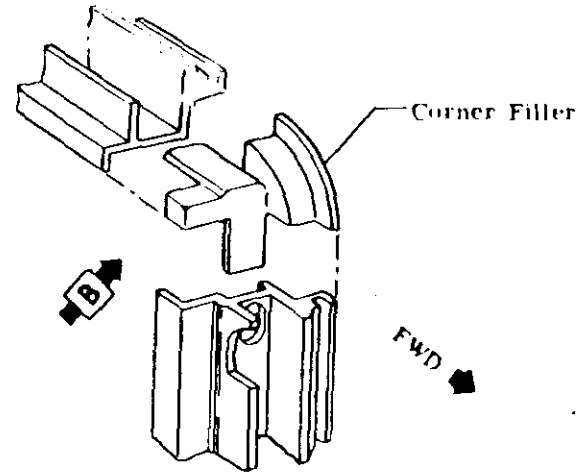
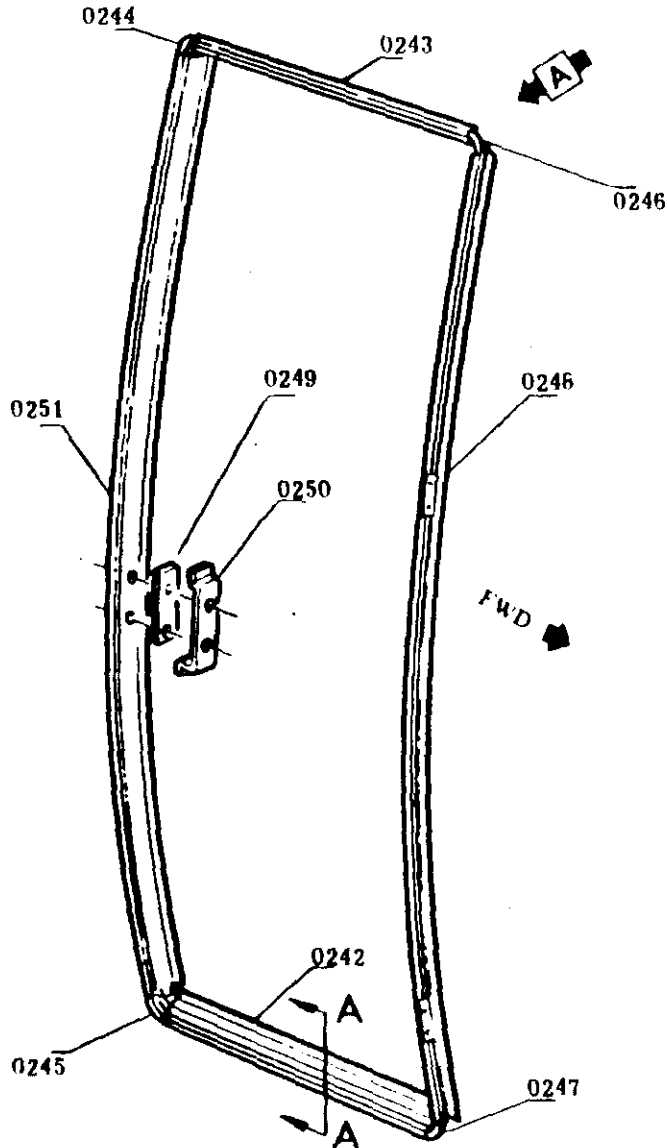
VIEW B

TYPICAL 4 CORNERS

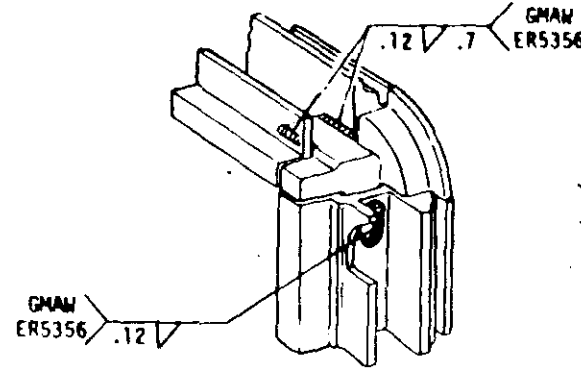
WATER AND ELECTRIC ACCESS DOOR SUPPORT SUB-ASSEMBLY

DYNAMIC (Installation) - LBS	HAZARD (Inspection) - LBS	DATE	SYM	REVISION	AUTH	DR	EN	DEPARTMENTS	'78 TRUCK		BOOK 70
▲		11-77		ORIGINAL RELEASE	47000				TITLE		
▲									WATER & ELECT. ACCESS DR. SUPT.		
▲									SUB-ASM.		
▲									BODY SIDE,	1C4	15
▲									REAR END,		
▲									QTR. & DECK		

GMT 922 1-73

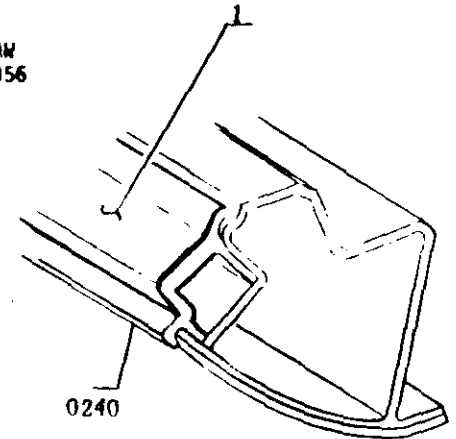


VIEW A
TYPICAL



VIEW B

TYPICAL 4 CORNERS



SECTION A-A

DYNAMIC (Installation) - 105	ROAD (Inspection) - 105	DATE	SYM	REVISION	AUTH	DR	CK	DEPARTMENTS
▲				ORIGINAL RELEASE				
▲								
▲								
▲								
▲								
▲								

78 TRUCK BOOK 70

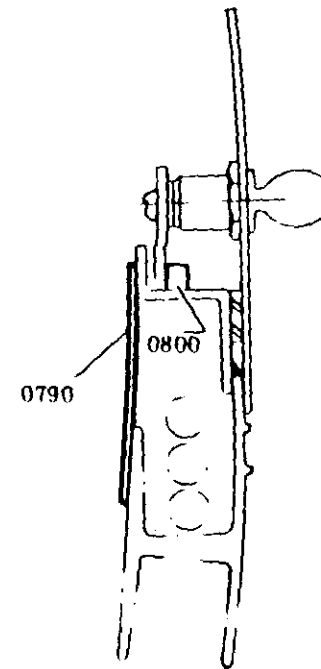
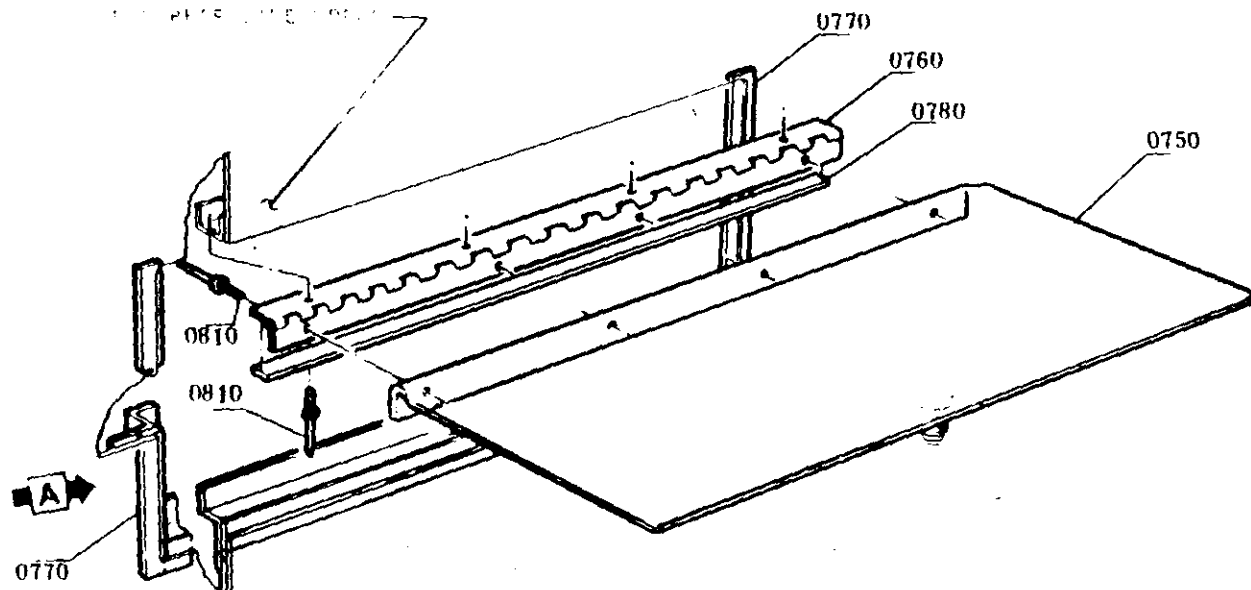
TYPE
DOOR JAM SUB-ASM.

NAME
BODY SIDE,
REAR END,
QTR. & DECK

NUMBER
1C4

PAGE
16

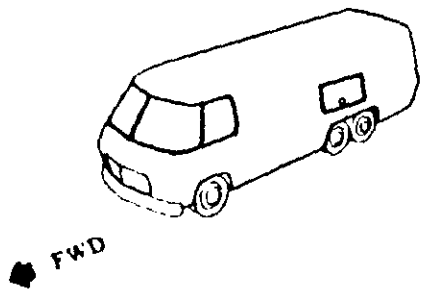
GMT 922 1-73



VIEW A

ACCESS OR IN LOCK POSITION

↙ FWD



DYNAMIC (Installation) - LPS	HAZARD (Inspection) - LPS	DATE	SYM	REVISION	AUTH	DR	CK	DEPARTMENTS
△				ORIGINAL RELEASE				
△								
△								
△								
△								

78 TRUCK	BOOK 70
TITLE WATER & ELECTRIC ACCESS DOOR ZE06581.83	
BASE BODY SIDE, REAR END, QTR. & DECK	DIVISION 1C4
	SHEET 17

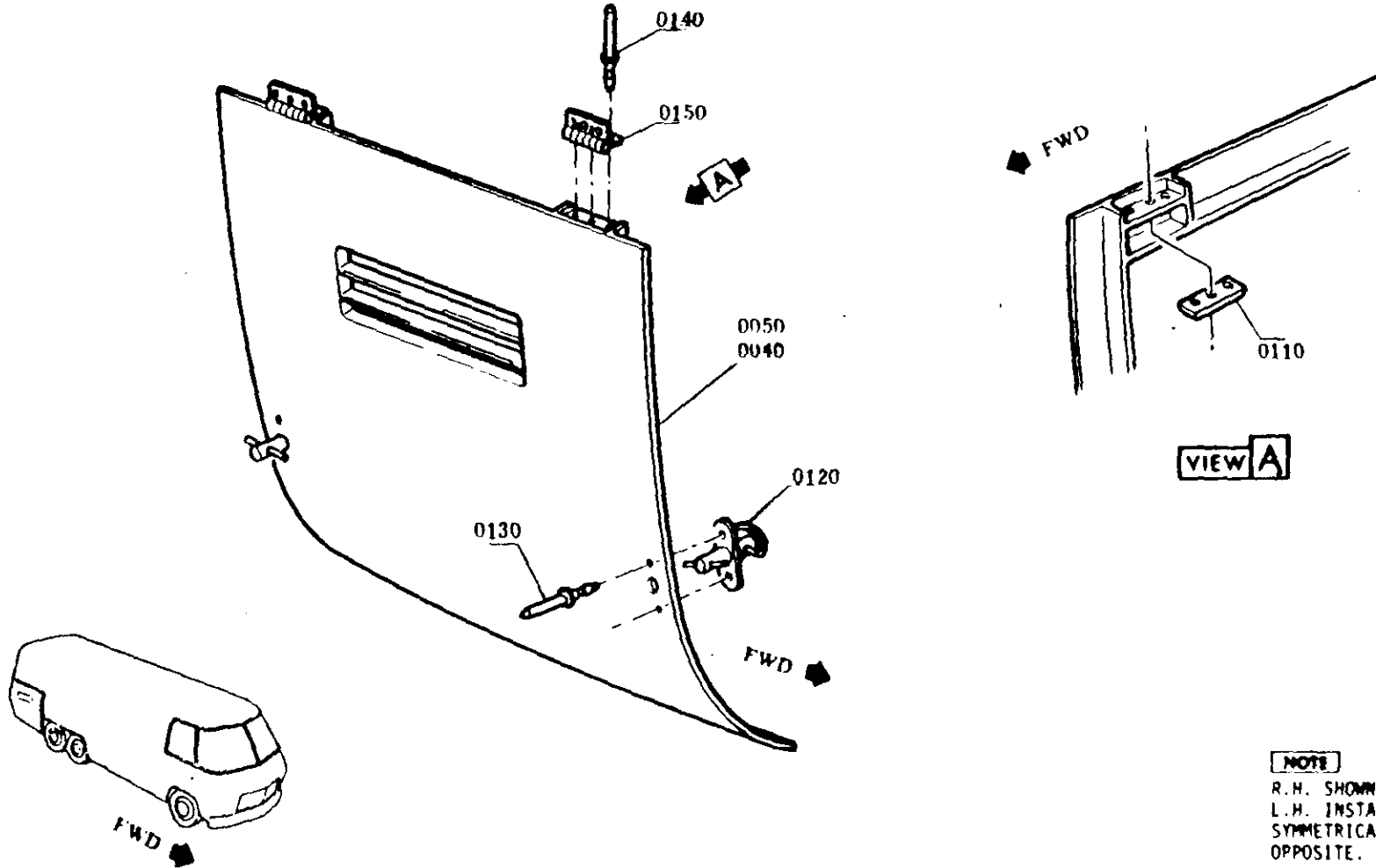


TRUCK & COACH DIVISION
GENERAL MOTORS CORPORATION

PRODUCT DESCRIPTION MANUAL

□ ITEM REFERENCE ◇ PROCESS MATERIAL △ TORQUE ▣ PART OF OR EXISTING

GMT 922 1-73



NOTE
R.H. SHOWN.
L.H. INSTALLATION
SYMMETRICALLY
OPPOSITE.

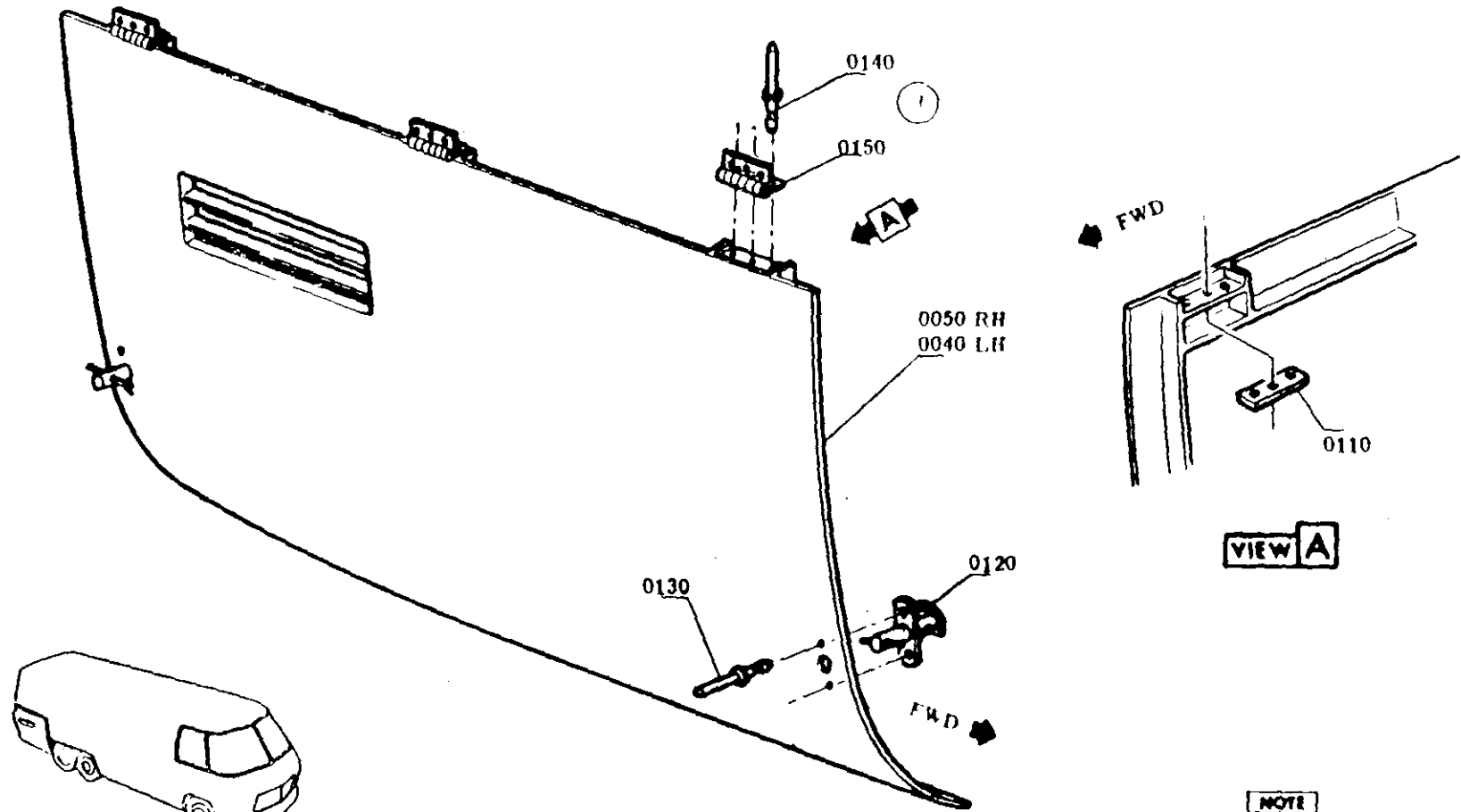
BY DATE (Inspection) - LBS	BY DATE (Inspection) - LBS	DATE	SYM	REVISION	APPRO	DO	CR	DEPARTMENT
△		1-73		ORIGINAL RELEASE	4-7011			REPAIR
△								
△								
△								
△								
△								

'78 TRUCK **BOOK 70**

TYPE
SIDE ACCESS DOOR
ZE06083

QTR. & DECK **1C4** **18**

GMT 922 1-73



VIEW A

NOTE
R.H. SHOWN
L.H. INSTALLATION
SYMMETRICALLY
OPPOSITE.

BY (last name) - LBS	DATE	SPR	REVISION	AUTH	DR	CR	DEPARTMENTS
▲ ▲ ▲ ▲	1-4-77		ORIGINAL RELEASE	MTWOC	23	27	GREEN
	(1-8-77)	1	REVISION FOR 1-20-73 AND 1-25-73				

78 TRUCK **BOOK 70**

TITLE
SIDE ACCESS DOOR
ZE06581, 83

DATE
BODY SIDE,
REAR END,
PTR. & DECK

NUMBER
1C4

SHEET
19

□ ITEM REFERRED ◇ PROCESS MATERIAL △ TORQUE ▣ PART OF OR EXISTING

GMT 922 1-73

← FWD

← A

← FWD

0100

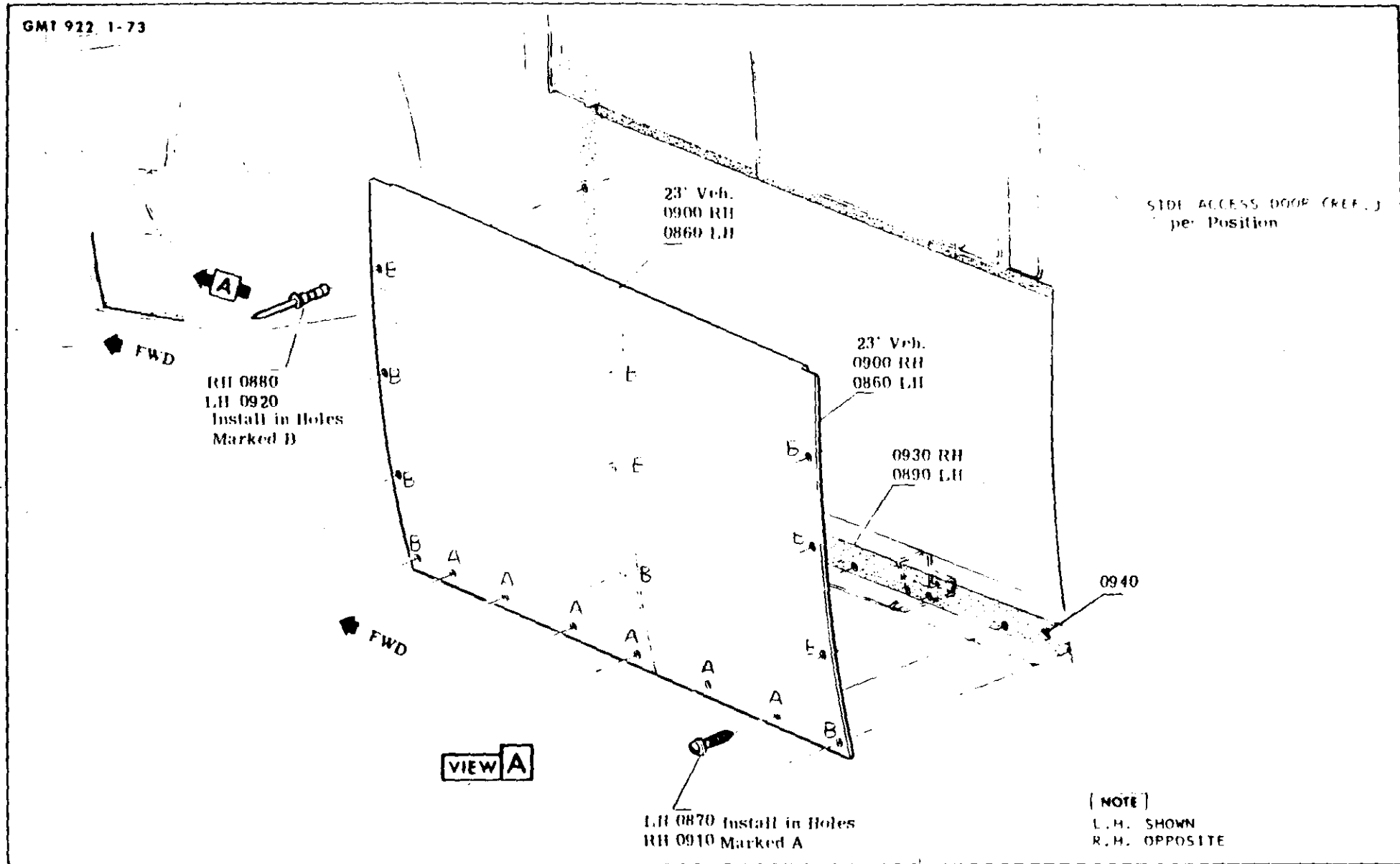
0060

STORAGE POSITION
CLIP ON LOUVER

VIEW A

GENERAL INFORMATION	REVISION	DATE	SYM	AUTH	DR	EN	DEPARTMENTS	TITLE
EBS △ △ △ △ △	REVISION 1 2 3 4 5							178 TRUCK BOOK 70 LH SIDE ACCESS DOOR HOLD OPEN STRAP
								NAME BODY SIDE, REAR END, QTR. & DECK
								DIVISION 1C4
								SHEET 21

□ ITEM REFERENCE ◇ PROCESS MATERIAL △ TORQUE ▣ PART OF OR EXISTING

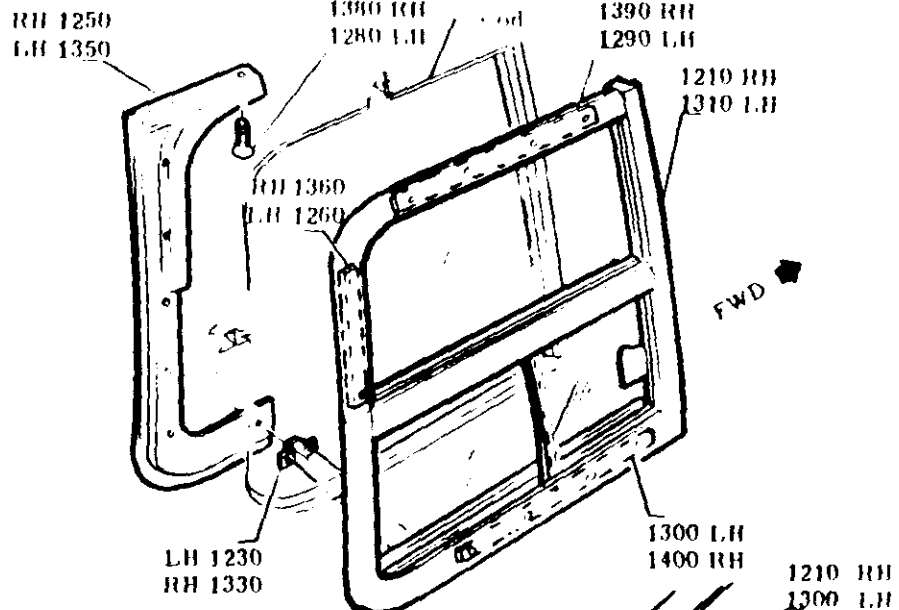
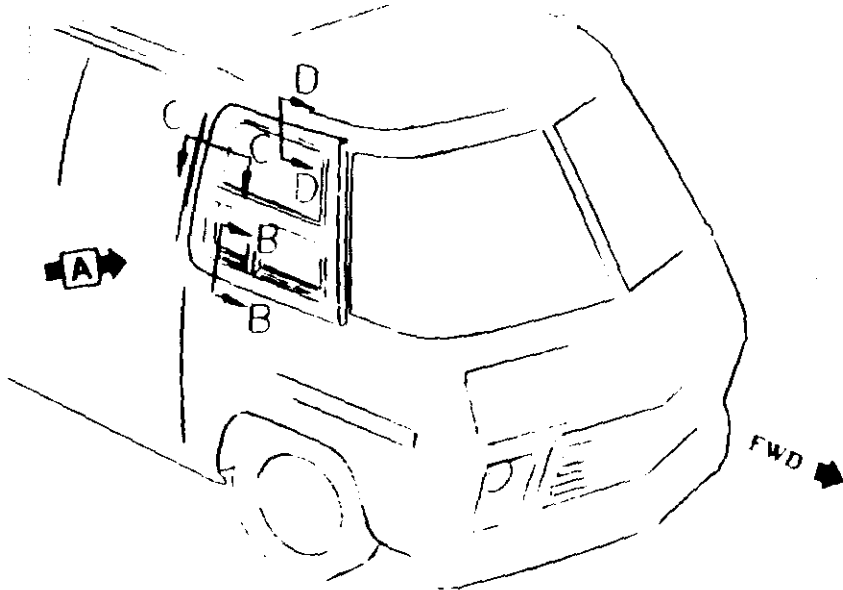


REV	DATE	SYM	REVISION	AUTH	DR	CR	DEPARTMENTS
	77		ORIGINAL RELEASE				

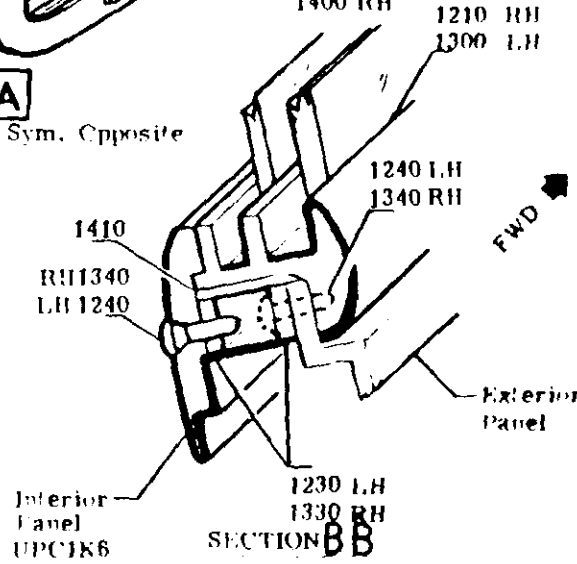
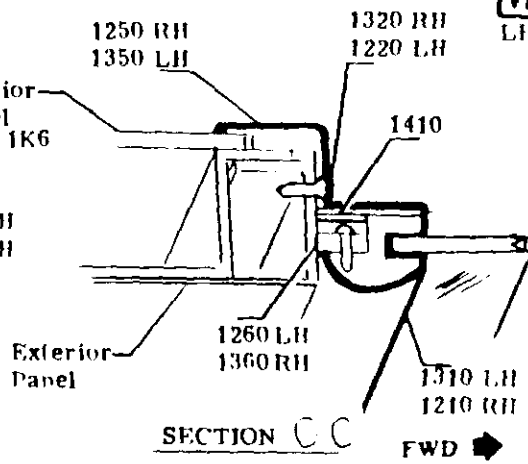
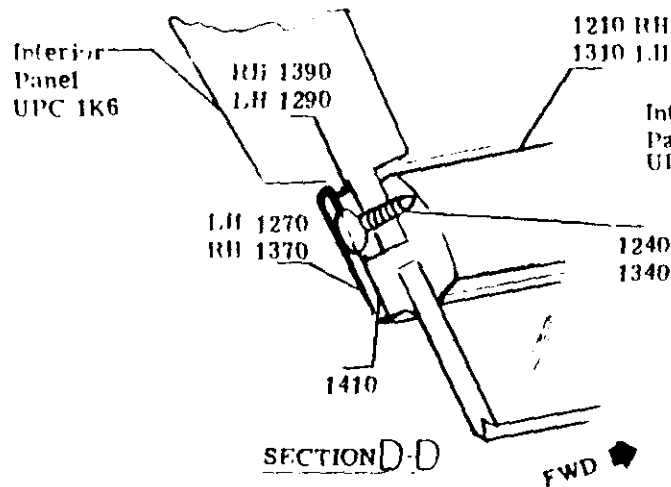
'78 TRUCK		BOOK 70
TITLE PANEL CLOSURE AT SIDE ACCESS DOOR ZE06083/ZE06583		
NAME BODY SIDE, REAR END, QTR. & DECK	DIVISION 1C4	SHEET 22

□ ITEM REFERENCE ◇ PROCESS MATERIAL △ TORQUE ▣ PART OF OR EXISTING

GMT 922 B 74



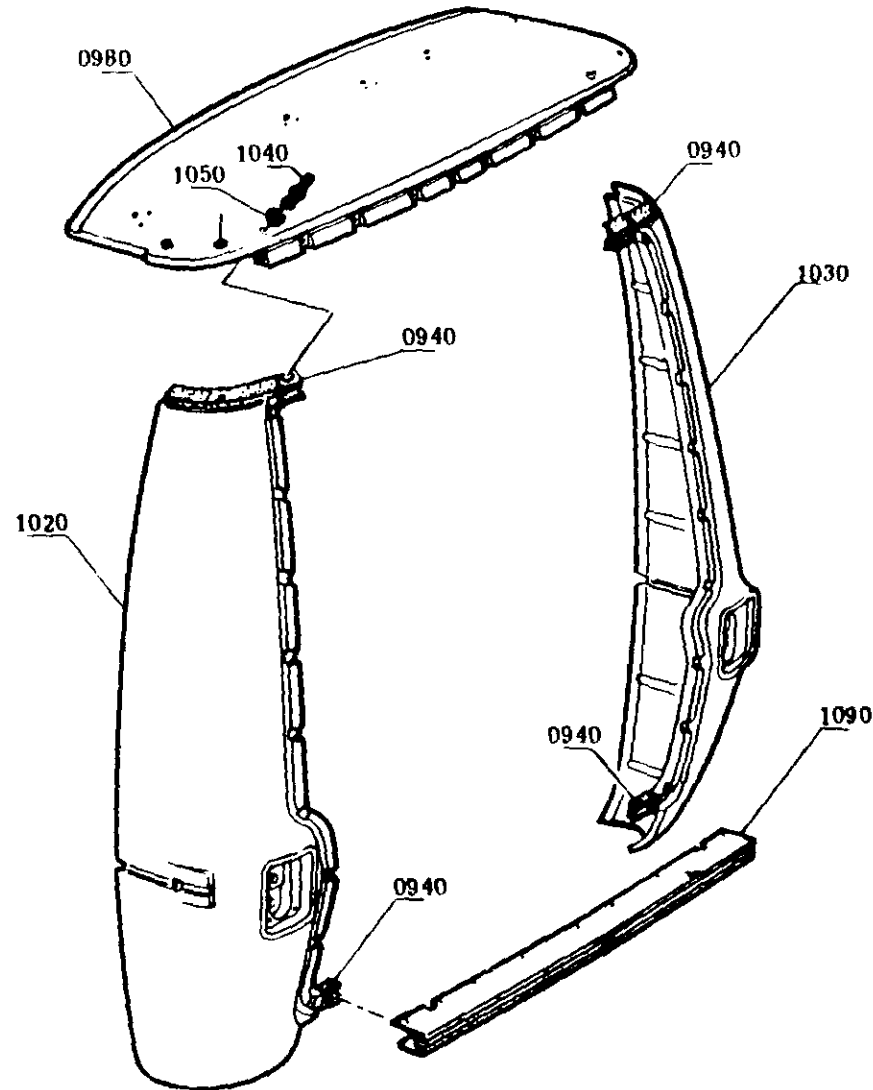
VIEW A
LH Side Sym. Opposite



DYNAMH (Installation) 105	HMWD (Inspection) 105	DATE	SYM	REVISION	AUTH	DR	CK	DEPARTMENTS	TRUCK	BOOK
△				ORIGINAL RELEASE					'78 TRUCK	BOOK 70
△									A-WINDOW	
△									BODY SIDE, REAR END, QTR. & DECK	DIVISION/UPC 1C4
△										SHEET 23

GMT 922 1-73

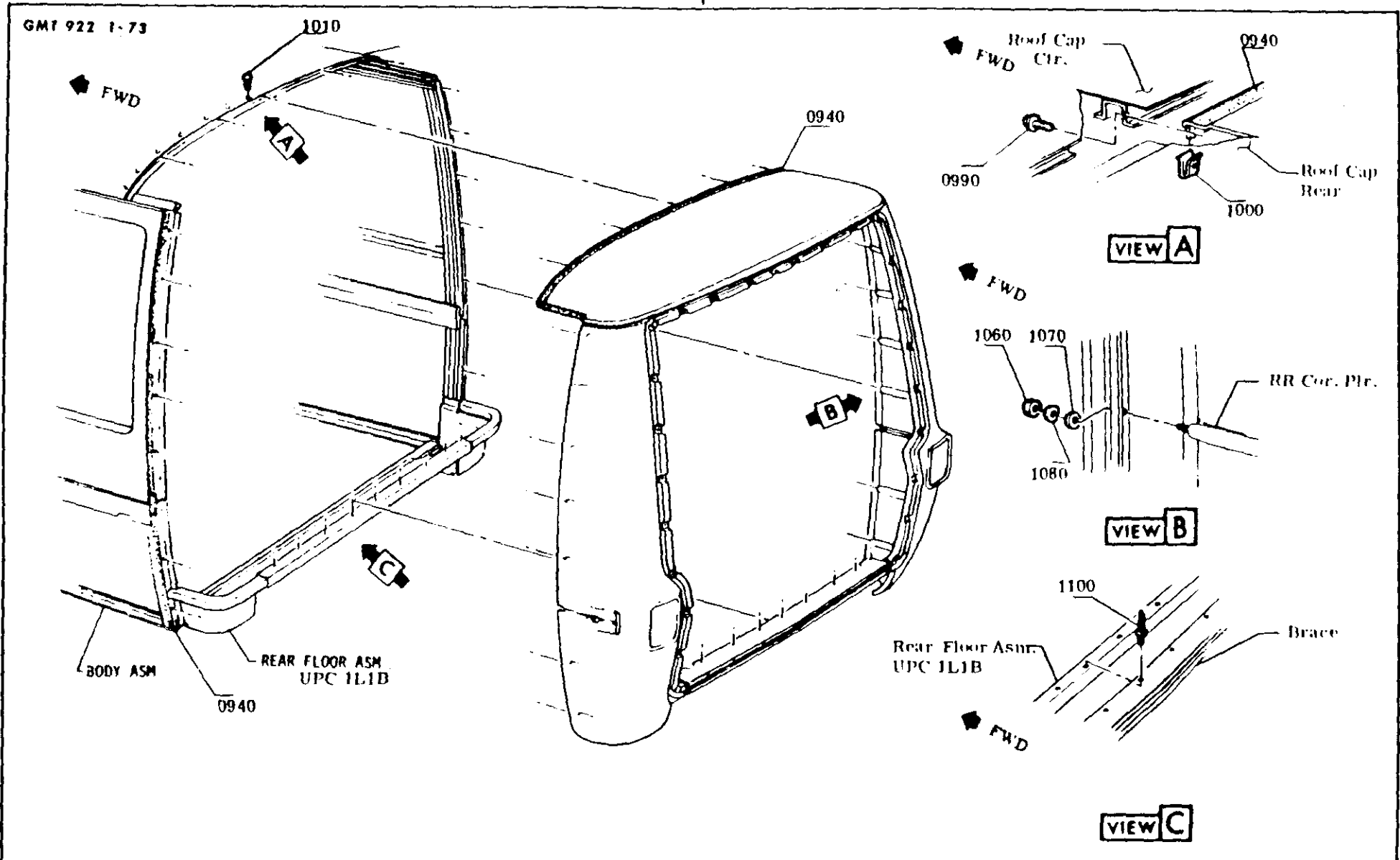
◆ FWD



DYNAMK (Installation) - LBS	HAND (Inspection) - LBS	DATE	SYM	REVISION	AUTH	DR	CK	DEPARTMENTS
▲		11/73		ORIGINAL RELEASE	1791			
▲								
▲								
▲								
▲								

'78 TRUCK		BOOK 70
TITLE ROOF CAP, OUTER PILLARS & BRACE		
NAME BODY SIDE, REAR END, QTR. & DECK	DIVISION ICA	SHEET 27

□ ITEM REFERENCE ◇ PROCESS MATERIAL △ TORQUE ▣ PART OF OR EXISTING



DYNAMIC (Installation) - LBS	HAZARD (Inspection) - LBS	DATE	SYM	REVISION	AUTH	DR	CR	DEPARTMENTS
△				ORIGINAL RELEASE				
△								
△								
△								
△								

78 TRUCK **BOOK 70**

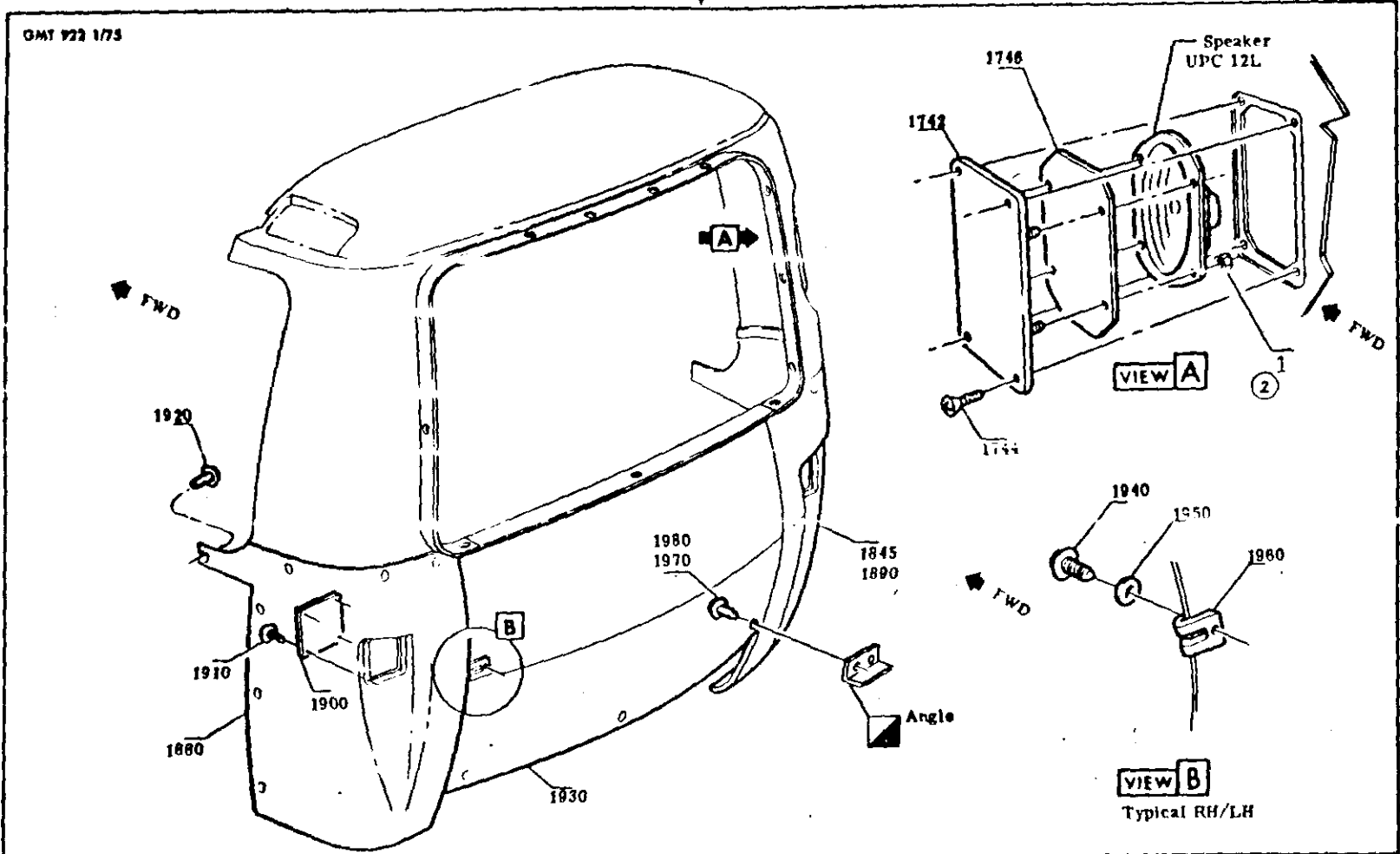
TITLE
REAR END ASM. TO BODY

NAME
BODY SIDE REAR END, QTR. & DECK

DIVISION
1CA

SHEET
28

□ ITEM REFERENCE ◇ PROCESS MATERIAL △ TORQUE ▣ PART OF OR CENTERING



REV	PART
1880	2007912 *
1890	2007916 *
1900	2463236
1910	7414721
1920	9414733
1930	713193
1940	9416166
1950	140270
1960	9431530
1970	000000
1980	140270
1742	700880
1744	1711000
1746	700281
1	9414761

* SEE 4/41

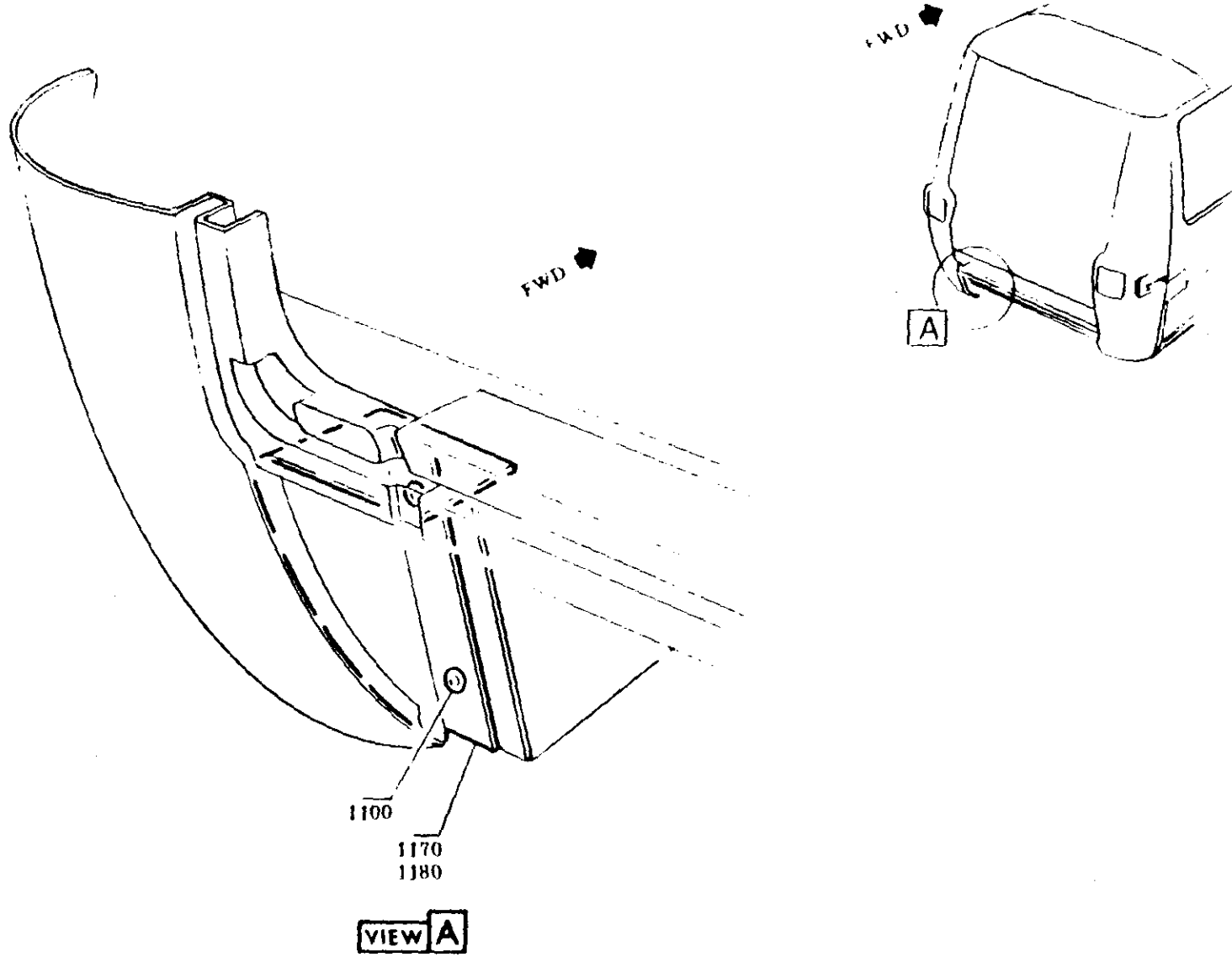
STANDARD (Specification) - (S)	REVISION (Specification) - (R)	DATE	SYN	REVISION	BY	DO	IN	DEPARTMENTS
△		1/4/77		ORIGINAL RELEASE	1/20/77			GARRIN
△		2/2/77		VIEW "C" ADDED				R. THOMPSON
△		2/2/77		IT-A LADDED				GARRIN

78 TRUCK		BOOK 70
TITLE REAR END INTERIOR TRIM		
NAME BODY SIDE, REAR END, D/R & DECK	OVERSHEET 1C4	SHEET 29

REFERENCE L 4251
PRELIMINARY

□ ITEM REFERENCE ◇ PROCESS MATERIAL △ FORM ▣ PART OF OR EXISTING

GMT 922 1-73

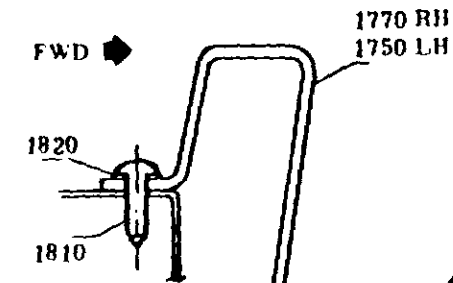


DYNAMIC Installation	WIND (Inspection)	DATE	SYM	REVISION	AUTH	DN	EX	DEPARTMENTS
△		1-73		ORIGINAL RELEASE	97100			
△								
△								
△								
△								

78 TRUCK		BOOK 70
TITLE INSULATION SHIELD		
NAME BODY SIDE, REAR END, QTR. & DECK	DIVISION 1C4	SHEET 30

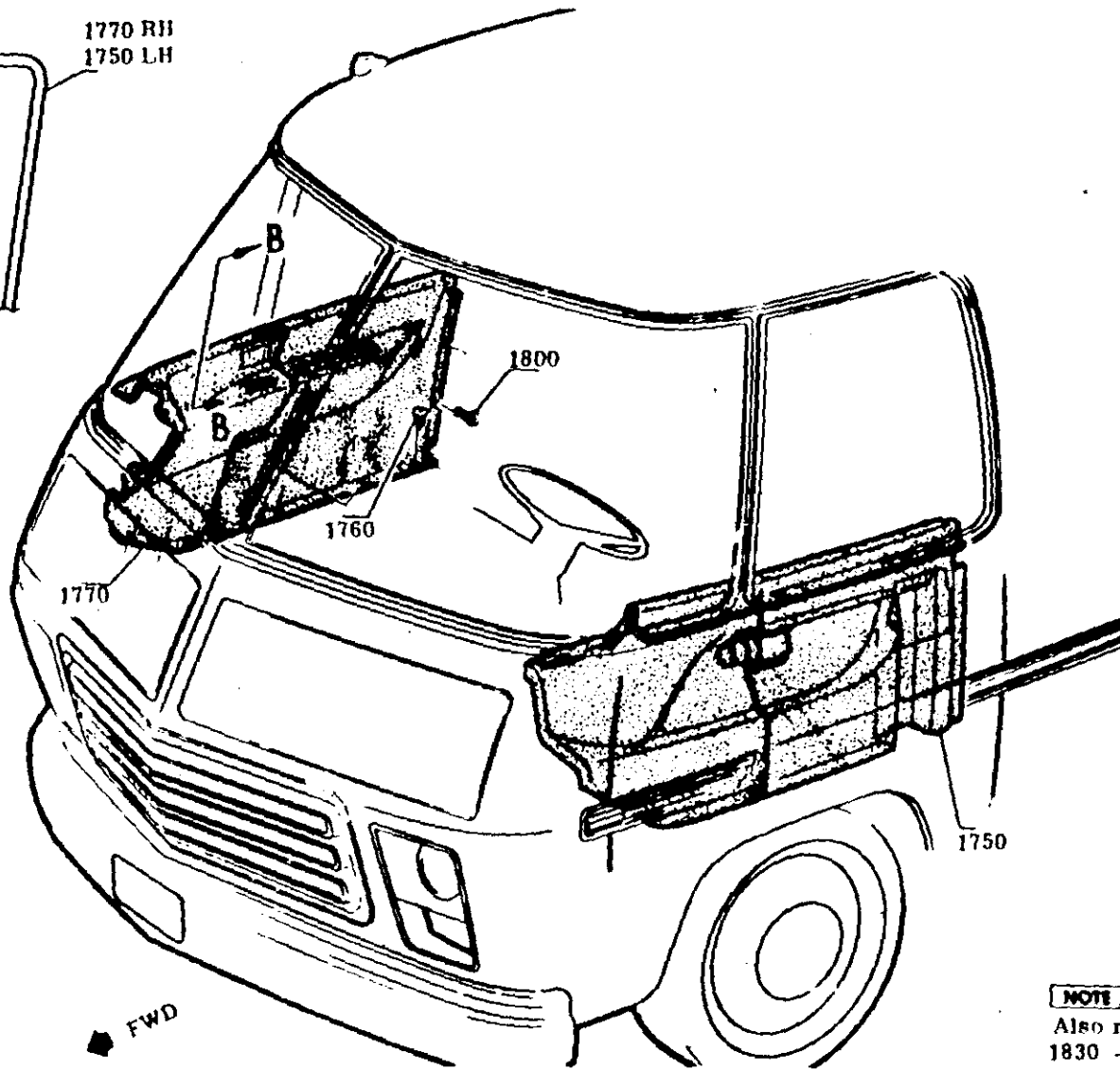
□ ITEM REFERENCE ◇ PROCESS MATERIAL △ TORQUE ▣ PART OF OR EXISTING

GMT 922 1-73



SECTION B-B

TYP SIDE PNL
ALONG FRT UPR
FLANGE.



NOTE

Also req'd. (Not shown) are
1830 - Ash Trays, 1840 - Storage Box,
1780 - Label

BYDRAW (Installation) - LBS	HARD (Inspection) - LBS	DATE	SYM	REVISION	AMT	DR	CK	DEPARTMENTS
△		1/16/73		ORIGINAL RELEASE	47001			GA/RR
△								
△								
△								
△								
△								

78 TRUCK		BOOK 70	
TITLE FRONT END INTERIOR TRIM			
BODY SIDE, REAR END, QTR. & DECK	DIVISION 1C4	SHEET 33	



PRODUCT DESCRIPTION MANUAL

ASSEMBLY INFORMATION

GMT 1001 REV 8/78

GMPC TRUCK & CONCRETE

ITEM	SECT	PART OR TOOL DESCRIPTION	ADD'L DATA	QTY	PART NUMBER	ENGINE CODES	SERIES	BODY OPT	ITEM RESTRICTION	DEPARTMENTS #1 2/STA	CHANGE /DI AUTH	LOGIC CODE	FUNCTION CODE	ADDITIONAL CODES	TIME
AA010	4	RR WDD GLASS			L2972					0782					1.8
AA020	4	SI TR PNL INSTL			L691					0782					1.1
AA030	4	FRT RF CAP INR			L2997					0704					1.1
AA030	24	PNL								0704					1.1
AA040	4	RR SUPP & STRUCTURE			L3862					0704					1.1
AA040	24									0704					1.1
AA050	4	RR END INT TRIM			L5204					0784					1.1
AA060	4	RR ACC DR			L3854					0704					1.2
AA070	4	RR CDP CLR RR			L5496					0704					1.2
AA070	24	RF CAP								0704					1.2
AA080	4	RR ACC DR			L6604					0704					1.2
AA090	4	SI ACC RR HOLD			MD1136					0704					1.2
AA090	24	DRFN STRAP & DRILL								0704					1.2
AA090	4									0704					1.2
AA100	4	RR SI & RBM ASM			L6606		65			0704					1.3
AA100	24	RR SI & RBM ASM			L6340		60			0704					1.3
AA110	4	LH SI & RBM ASM			L6607		65			0704					1.3
AA110	24	LH SI & RBM ASM			L6339		60			0704					1.3
AA120	4	WIT & ELECT ACC			L3866					0704					1.3
AA120	24	DR								0704					1.3
AA130	4	RR DRP WHL DRG			L2981					0704					1.4
AA140	4	RR DR F. CHAN			L2995					0702					1.4
AA140	24	SUPE								0702					1.4
AA150	4	LK CYL ASM ENT			L6636					0782					1.4
AA150	24	DR								0782					1.4
AA170	4	RR SI YR DRILL			MD1204					0702					1.4
AA170	24	INSTP								0702					1.4
AA180	4	LP SI RB DRILL			MD1265					0702					1.5
AA180	24	INSTP								0702					1.5
AA190	4	RING INSTL EMER			L4945					0782					1.5
AA190	24	EXTY								0782					1.5

1
2
3
4
5
REV 8/78

REFERENCE

7506X00
MODEL APPLICATION
BODY STOF, RR END, QUARTER & DECK
UPC DESCRIPTION

MODEL YEAR 19 7P
ORIGIN DATE 770715
LAST CNG. DATE
LAST CNG. CODE
70 1CA A 1
BK U. P. C. GRP PAGE



PRODUCT DESCRIPTION MANUAL
ASSEMBLY INFORMATION

GMT 1061 REV. 8/78

RAM TRUCK & COACH

ITEM	S E Q	PART OR TOOL DESCRIPTION	ADD'L DATA	QTY	PART NUMBER	ENGINE CODES	SERIES	BODY BUNK	ITEM RESTRICTION	DEPARTMENTS		CHANGE		LOGIC CODE	FUNCTION CODE	ADDITIONAL CODES	TIME
										#1	2/STA	CO	AUTH				
AA20	014	A WINDOW			L4307					0702							1.5
AA20	014	SA G. CLASSE			L4361					0702							1.5
AA22	014	SA G. CLASSE			L8029					0702							2.2
AA23	014	DR & DR FRM			L6617					0702							2.4
AA24	014	SI WOP SCREEN			L4379					0782							2.6
AA29	014	INTERIOR RR UPR			MD12906			P3		0704							2.8
AA29	024	RF DRILL								0704							2.9
AA28	014	RJ FRY SWIV			L7714			P3		0782							2.1
AA28	024	ST LABEL								0782							2.1
AA27	014	BEERYG MOD F			L9552					0702							2.1
AA27	024	VENT SEALS								0702							2.1
AA28	014	RR ACC DR			L3856					0782							2.1
AA28	014	RR ACC DR			L3856					0784							2.1
AA30	014	RR ACC DR			L6604					0782							2.2
AA31	014	ST & T DR HOLD			MD11396					0782							2.2
AA31	024	OPEN STAMP K								0782							2.2
AA31	034	DRILL								0782							2.2
AA32	014	WAY F. FLECT ACC			L3866					0782							2.2
AA32	024	DR								0782							2.2
AA33	014	DR TYR WRL MOD			L2981					0782							2.3
AA34	014	DR DLP G CHIN			L2906					0704							2.3
AA34	024	SURF								0704							2.3
AA34	014	RR SI TP DRILL			MD12943					0704							2.3
AA34	024	INSTR								0704							2.3
AA34	014	RR SI TP DRILL			MD12983					0704							2.3
AA34	024	INSTR								0704							2.3
AA37	014	HING INSTL EMER			L4921					0786							2.4
AA37	024	EXIT								0786							2.4
AA38	014	A WINDOW			L4307					0704							2.4

1		ZEDARCO	MODEL YEAR 10 78
2			ORIGIN DATE 770715
3			LAST CHG. DATE
4			LAST CHG. CODE
5			70 1C4 A 2
F M V S S	REFERENCE	MODEL APPLICATION BODY SIDE, RR END, QUARTER & DECK UPC DESCRIPTION	BK U. P. C. GRF PAGE

PRODUCT DESCRIPTION MANUAL

ASSEMBLY INFORMATION

OMT 1081 REV 8/78



GENE TRUCK & COACH

ITEM	S E G P V S	PART OR TOOL DESCRIPTION	ADD'L DATA	QTY	PART NUMBER	ENGINE CODES	SERIES	BODY BRN	ITEM RESTRICTION	DEPARTMENTS		CHANGE		LOGIC CODE	FUNCTION CODE	ADDITIONAL CODES	FNA	LINE NOS
										#1	2/STA	CD	AUTH					
AA390	014	A WINDOW			L439					0782								2.4
AA400	014	SA S GLASS			L436					0704								2.4
AA410	014	SA E GLASS			L436					0782								2.5
AA420	014	SA S GLASS			L802					0704								2.5
AA430	014	SA E GLASS			L802					0782								2.5
AA440	014	DR R DR FRM			L661					0704								2.5
AA450	014	DR E DR FRM			L661					0782								2.5
AA460	014	SI WND SCREEN			L437					0784								3.1
AA470	014	SI WND SCREEN			L437					0784								3.3
AA480	014	INTERIOR RR UPD			MD12006			B3		0782								3.5
AA490	014	RR DRILL								0782								3.6
AA490	014	INTERIOR RR UPD			MD12006			R3		0784								3.8
AA490	014	RR DRILL								0784								3.9
AA500	014	RJ FRT SWIV			L771			B3		0782								3.1
AA500	014	RY LABEL								0782								3.1
AA510	014	RR SPRG INSTL			L425					0782								3.1
0010A		PNL LWR FRT LH			69161		65			0702	3		0000030025					3.1
0010A		PNL LWR FRT LH			69163		60			0702	3		0000030025					3.1
0020A		PNL LWR FRT RH			69161		65			0702	3		0000030030					3.1
0020A		PNL LWR FRT RH			69163		60			0702	3		0000030030					3.2
0030A		PNL OTR WHL OPC			69161					0702	3		0000030035					3.2
0040A		PNL ST ACC LH			69404		65			0704	9		0000090105					3.2
0040A		PNL ST ACC LH			69404		60			0704	9		0000090105					3.2
0050A		PNL ST ACC RH			69404		65			0704	9		0000090110					3.2
0050A		PNL ST ACC RH			69404		60			0704	9		0000090110					3.2
0060A		STRAP RR OPEN			71322					0782	38		0000380045					3.3
0070A		BOLT STRAP			394535					0782	38							3.3
0080A		WA			942109					0782	38							3.3

1 2 3 4 5	REFERENCE	2FOAX00	MODEL YEAR IS 78
			ORIGIN DATE 770715
			LAST CHG. DATE
		MODEL APPLICATION	LAST CHG. CODE
		BODY SIDE, RR END, QUARTER & DECK	70 1C4 A 3
	UPC DESCRIPTION		BR U. P. C. QPW PAGE



PRODUCT DESCRIPTION MANUAL

ASSEMBLY INFORMATION

GMT 1001 REV. 5/78

GM TRUCK & COACH

ITEM	QTY	ART OR TOOL DESCRIPTION	ADD'L DATA	QTY	PART NUMBER	ENGINE CODES	SERIES	REV	ITEM RESTRICTION	DEPARTMENTS			LOGIC CODE	FUNCTION CODE	ADDITIONAL CODES	FN	REV
										#1	#2/STA	CD					
009AA		11 NUT			222273					07B2	38						3.3
010AA		SCR			941472					07B2	38						3.3
011AA		REINF ACC DR HGF		6	790545		65			0704	9		0000090113				3.4
011AA		REINF ACC DR HGF		4	790545		60			0704	9		0700090113				3.4
012AA		LATCH ACC DR		4	70799					0704	9		0000090120				3.4
013AA		RIV LATCH		8	668290					0704	9						3.4
014AA		RIV DR HGF		18	700368		65			0704	9						3.4
014AA		RIV DR HGF		12	700368		60			0704	9						3.4
015AA		HGF ST ACC DR		6	70282		65			0704	9		0000090125				3.5
015AA		HGF ST ACC DR		4	70282		60			0704	9		0000090125				3.5
016AA		PNL FRT UPR ST	LH	1	694034			R		0702	3		0000030040				3.5
016AA		PNL FRT UPR ST	LH	1	724362		60	P3-APQ		0702	3		3611030040				3.5
016AA		PNL FRT UPR ST	LH	1	724362		65	R3-APR		0702	3		3610030040				3.5
016AA		PNL FRT UPR ST	LH	1	694034		60	R3-APQ		0702	3		3612030040				3.5
016AA		PNL FRT UPR ST	LH	1	694034		65	R3-APR		0702	3		3609030040				3.5
017AA		PNL FRT UPR ST	RH	1	694034			R		0702	3		0000030045				3.5
017AA		PNL FRT UPR ST	RH	1	694036		60	P3		0702	3		0000030045				4.1
017AA		PNL FRT UPR ST	RH	1	792407		65	R3-APB		0702	3		3610030045				4.2
017AA		PNL FRT UPR ST	RH	1	694034		65	R3-APR		0702	3		3609030045				4.3
018AA		PNL RR UPR ST LH		1	694033			R		0702	3		0000030050				4.5
018AA		PNL RR UPR ST LH		1	724364		60	P3-APQ		0702	3		3611030050				4.6
018AA		PNL RR UPR ST LH		1	724364		65	R3-APR		0702	3		3610030050				4.7
018AA		PNL RR UPR ST LH		1	792448		60	P3-APQ		0702	3		3612030050				4.8
018AA		PNL RR UPR ST LH		1	792262		65	R3-APR		0702	3		3609030050				4.9
019AA		PNL RR UPR ST RH		1	2028034			R U97		0702	3		3693030055				4.1
019AA		PNL RR UPR ST RH		1	724364		60	P3-APQ		0702	3		3611030055				4.1
019AA		PNL RR UPR ST RH		1	724364		65	R3-APR		0702	3		3610030055				4.1
019AA		PNL RR UPR ST RH		1	694033		60	R3-APQ		0702	3		3612030055				4.1
019AA		PNL RR UPR ST RH		1	689610		65	R3-APR		0702	3		3609030055				4.1
019AA		PNL RR UPR ST RH		1	2028035			R U97		0702	3		3613030055				4.1
020AA		PNL INT LWR ST		1	69164		60	R3		0702	3		0000030060				4.1
021AA		PNL INT UPR ST		1	724365		60	P3-APQ		0702	3		3611030065				4.2
021AA		PNL INT UPR ST		1	694033		60	R3-APQ		0702	3		3612030065				4.2
021AA		COMPY ELEC ONLY		1	201275			U97		0704	14		3613140020				4.2

1																	
2																	
3																	
4																	
5																	
F.M.V.S.E.																	

7E0AX00	MODEL YEAR IS 78
	ORIGIN DATE 770715
	LAST CHG DATE
	LAST CHG CODE
	70 1C4 A 4
	BK V. P. C. QMP PAGE

MODEL APPLICATION
BODY SIDE, RR END, QUARTER & DECK
UPC DESCRIPTION

PRODUCT DESCRIPTION MANUAL

ASSEMBLY INFORMATION

GMT 1091 REV. 8/78



GMC TRUCK & COACH

ITEM	S E Q	P I S	PART OR TOOL DESCRIPTION	ADD'L DATA	Q T Y	PART NUMBER	M O D	ENGINE CODES	SERIES	BOV BRK	ITEM RESTRICTION	DEPARTMENTS		CHANGE CD	AUTH	LOGIC CODE	FUNCTION CODE	ADDITIONAL CODES	FNA	LINE NUM	
												#	2/51A								
0214	1		SEAL			200501						0704	14								4.2
0220	1		DNL DR RKR			69612						0702	3			0000030070					4.2
0230	1		DNL RR LWR SI			69614			65			0702	3			0000030075					4.2
0230	2		DNL RR LWR SI			69614			60			0702	3			0000030075					4.3
0239	1		CAP ENT DR PAIN			202R092						0702	3								4.3
0240	1		JAMB ENT DR			791392						0702	0			0000991005					4.3
0241	1		NOTE: ITEM #0241 THRU #0240 ARE PART OF ASM #0240									0702									4.3
0242	1		BAR HGE CLR SUP			4870052						0702	0								4.3
0243	1		FRAME DR LWR			790180						0702	0								4.4
0244	1		FRAME DR UPB			68894						0702	0								4.4
0245	1		FILLER CORNER			691632						0702	0								4.4
0246	1		FILLER CORNER			688842						0702	0								4.4
0247	1		FILLER CORNER			691633						0702	0								4.5
0248	1		FILLER CORNER			688842						0702	0								4.5
0249	1		FILLER DR HINGE			791390						0702	0								4.5
0250	1		PLATE TAPPING			712172						0702	0								4.5
0251	1		RETAINER			712173						0702	0								4.5
0252	1		PILLAR ASM DP			716205						0702	0								4.5
0253	1		NOTE: ITEM #0254 AND #0255 ARE PART OF #0252									0702									5.1
0254	1		PILLAR LOCK			716202						0702	0								5.3
0255	1		REFINE PILLAR			716201						0702	0								5.5
0260	1		PAD DR NON SKID			70R463						0782	38			0000280050					5.7
0271	1		DNL JMB-LGTONL			702999						0702	0			0000991010					5.9
0280	1		RIVET JMB DNL		26	700369			65			0702	0								5.1
0280	1		RIVET JMB DNL		17	700368			60			0702	0								5.1
0290	1		RIVET JMB DNL		2	9437770						0702	0								5.1

1	2F06X00	MODEL YEAR 19 78
2		ORIGIN DATE 770715
3		LAST CHG. DATE
4		LAST CHG. CODE
5		70 1C4 A 5
1	REFERENCE	BK U. P. C. QRP PAGE
1		MODEL APPLICATION
1		BODY SIDE, RR END, QUARTER & DECK
1		VEH DESCRIPTION



PRODUCT DESCRIPTION MANUAL

ASSEMBLY INFORMATION

GMT 1061 REV. 9/78

GM TRUCK & COACH

ITEM	QTY	PART OR TOOL DESCRIPTION	ADD'L DATA	QTY	PART NUMBER	ENGINE CODES	SERIES	BOX BRK	ITEM ABSTRACTION	DEPARTMENTS		CHANGE		LOGIC CODE	FUNCTION CODE	ADDITIONAL CODES	LINE NOS
										#1	2/STA	CD	AUTH				
0300AA	1	POST SI LWR		1	71950		65			0702	0			0000991015			5.1
0310AA	1	POST SI LWR		1	68883			R		0702	0			0000991020			5.1
0310AA	1	POST SI LWR		1	68883		60	R		0702	0			0000991020			5.1
0310AA	1	POST SI LWR		1	68883		65	R		0702	0			0000991020			5.2
0320AA	1	POST SI LWR		1	70397			R		0702	0			0000991025			5.2
0330AA	1	POST FR LWR SI		1	71648					0702	0			0000991030			5.2
0340AA	1	PNL INT UPR LH		1	69825					0702	0			0000991040			5.2
0350AA	1	PNL INT UPR RH		1	69825		65			0702	0			0000991045			5.2
0360AA	1	RYMOUT DMST		1	246498					0702	0						5.3
0370AA	1	DMST LWR RR LH		1	70407		60	R		0702	0			0000991050			5.3
0370AA	1	DMST LWR RR LH		1	70407		65	R		0702	0			0000991050			5.3
0380AA	1	DMST LWR RR RH		1	200795			R		0702	0			0000991055			5.3
0380AA	1	DMST LWR RR RH		1	696155			R		0702	0			0000991055			5.3
0390AA	1	SUPY DM TRL		1	70198			R		0702	0			0000991060			5.3
0400AA	1	DMST DMVH SIBY		1	79196			R		0702	0			0000991065			5.4
0410AA	1	DMST SI UPR		1	68883		65			0702	0			0000991070			5.4
0410AA	1	DMST SI UPR		1	68883		60			0702	0			0000991070			5.4
0420AA	1	DMST SI UPR RR		1	71642					0702	0			0000991075			5.4
0430AA	1	DMST UPR FR LIP		1	71698					0702	0			0000991080			5.4
0440AA	1	DMST UPR FOT RH		1	71698					0702	0			0000991085			5.4
0450AA	1	BEAM BLY BL FR		1	200795		65			0702	0			0000991090			5.5
0450AA	1	BEAM BLY BL FR		1	200795		60			0702	0			0000991090			5.5
0460AA	1	BEAM BLY BL RR		1	200795		65			0702	0			0000991095			5.5
0460AA	1	BEAM BLY BL RR		1	200795		60			0702	0			0000991095			5.5
0470AA	1	BEAM BLY BL LH		1	200797		65			0702	0			0000991100			5.5
0470AA	1	BEAM BLY BL LH		1	200797		60			0702	0			0000991100			5.5
0480AA	1	BEAM DSY RF		1	69400		60	R		0702	0			0000991105			6.1
0490AA	1	BEAM DSY RF		1	69160		60	R		0702	0			0000991110			6.3
0500AA	1	BEAM DSY RH LH		1	69160		65			0702	0			0000991115			6.5

1		7E06X00	MODEL YEAR 1978
2			ORIGIN DATE 770715
3			LAST CHG. DATE
4			LAST CHG. CODE
5			70 IC4 A 6
F.M.V.S.E.	REFERENCE	MODEL APPLICATION BODY SIDE, RR END, QUARTER & DECK UPC DESCRIPTION	DR. U. F. C. GMF PAGE

PRODUCT DESCRIPTION MANUAL

ASSEMBLY INFORMATION

GMT 1987 REV. 8/78



GM TRUCK & COACH

ITEM	PART OR TOOL DESCRIPTION	ADD'L DATA	QTY	PART NUMBER	ENGINE CODES	SERIES	REV	ITEM RESTRICTION	DEPARTMENTS		CHANGE		LOGIC CODE	FUNCTION CODE	ADDITIONAL CODES	LINE NOS
									#1	2/STA	CD	AUTH				
0510AA	BEAM PST RR RH		2	688816		65			0702	0			0000991120			6.7
0520AA	RIVET BEAM		6	700368					0702	0						6.9
0530AA	REINF FRT SASH		2	696157					0702	0			0000991125			6.11
0540AA	BEAM LWR FRT RH		1	791356		65			0702	0			0000991130			6.13
0540AB	BEAM LWR FRT RH		2	792442		60			0702	0			0000991130			6.14
0550AA	BEAM LWR FRT LH		2	791355		65			0702	0			0000991135			6.16
0550AB	BEAM LWR FRT LH		1	792425		60			0702	0			0000991135			6.17
0560AA	SUPT FRT SASH		4	691611		65			0702	0			0000991140			6.19
0560AB	SUPT FRT SASH		2	691611		60			0702	0			0000991140			6.20
0570AA	SUPT UPR SASH LH		1	688821					0702	0			0000991145			6.22
0580AA	SUPT UPR SASH RH		1	688821		65			0702	0			0000991150			6.24
0590AA	SUPT FRT SASH LH		4	2006420		65			0702	0			0000991155			6.26
0590AB	SUPT FRT SASH LH		2	2006420		60			0702	0			0000991155			6.27
0600AA	SUPT FRT SASH R.		2	2006421		60			0702	0			0000991160			6.29
0610AA	SUPT INTW SASH		2	688824		65			0702	0			0000991165			6.31
0620AA	SUPT RR SASH		4	2006419					0702	0			0000991170			6.33
0630AA	BEAM LWR RR LH		2	791369		65	83		0702	0			0000991175			6.35
0640AA	BEAM LWR RR		2	791369		65	83		0702	0			0000991180			6.37
0640AB	BEAM LWR RR		2	791369		60	83		0702	0			0000991180			6.38
0650AA	BEAM LWR RR RH		2	791369		65	83		0702	0			0000991185			6.40
0660AA	GUSSET BEAM W-H		4	702672					0702	0			0000991190			6.42
0670AA	EXT RR LWR PST		1	791376			83		0702	0			0000991195			6.44
0670AB	EXT RR LWR PST		1	792420			83		0702	0			0000991195			6.45
0680AA	EXT RR LWR LH		1	791352		65	-KNC		0702	0			3595991200			6.47
0680AB	EXT RR LWR LH		1	792421		60			0702	0			0000991200			6.48
0680AC	EXT RR LWR LH		1	792004			81KNC		0702	0			3495991200			6.49
0680AD	EXT RR LWR LH		1	792005			81KNC		0702	0			3495991202			6.51
0690AA	POST NTR GEN FRT		2	703974			81		0702	0			0000991205			6.53
0700AA	EXT RR LWR RH		1	792422		60			0702	0			0000991210			6.55

2E06X00

MODEL YEAR 1978
 ORIGIN DATE 770715
 LAST CHG. DATE 770817
 LAST CHG. CODE
 TO 1C4 A T
 BK V. P. G. 97F PAGE

MODEL APPLICATION
 BODY SIDE, RR END, QUARTER & DECK
 VPS DESCRIPTION

REFERENCE



PRODUCT DESCRIPTION MANUAL

ASSEMBLY INFORMATION

GMT 1061 REV. B/78

ENGINE TRUCK & CRACK

ITEM	S E G	PART OR TOOL DESCRIPTION	ADD'L DATA	Q T Y	PART NUMBER	M O D	ENGINE CODES	SERIES	BOV BYW	ITEM RESTRICTION	DEPARTMENT		CHANGE		LOGIC CODE	FUNCTION CODE	ADDITIONAL CODES	F	TIME US
											#1	2/STA	CD	AUTH					
0710AA		POST MTR GEN RR			703974				R1		0702	0			0000	991215			6.5
0720AA		POST LP INK FRT			704074				R1		0702	0			0000	991220			6.5
0730AA		SUPT SI PNL LH			701425				R1		0702	0			0000	991225			6.5
0740AA		FRT LWR RKR CPT			699122						0702	0			0000	991230			7.1
0750AA		DRR WAT E FLEC			702305				R1		0704	9			0000	090130			7.3
0760AA		HINGE DRR			702304				R1		0704	9			0000	090135			7.5
0770AA		SEAL DR SI			2029974				R1		0702	3			0000	030080			7.7
0780AA		SEAL DR UPB			702309				R1		0702	3			0000	030085			7.9
0790AA		TAPE TAW			8861584				R1		0702	3							7.1
0800AA		STRIPER DR LK			702349				R1		0702	0			0000	991235			7.1
0810AA		RIVWUY STRB			700368				R1		0702	0							7.1
0820AA		SUPT DR FRT LH			701420						0702	0			0000	991240			7.1
0830AA		SUPT DR RR LH			701427						0702	0			0000	991245			7.1
0840AA		SUPT DR LWR LH			701419						0702	0			0000	991250			7.2
0850AA		SUPT TR UPB LH			701416			65			0702	0			0000	991255			7.2
0860AA		SUPT TR DR LH			701421			60			0702	0			0000	991255			7.2
0870AA		PNL LH DR CLSR			793157			60	R3		0704	8			0000	080035			7.2
0880AA		PNL LH DR CLSR			793156			65	R3		0704	8			0000	080035			7.2
0890AA		SCR CLSR PNL			791702				R3		0704	8							7.2
0900AA		RIV CLSR PNL			700368			60	R3		0704	8							7.3
0910AA		RIV CLSR PNL			700368			65	R3		0704	8							7.3
0920AA		SEAL POW			8861094			60	R3		0704	8							7.3
0930AA		SEAL POW			8861094			65	R3		0704	8							7.3
0940AA		PNL DR DR CLSR			793157				R3		0704	8			0000	080040			7.3
0950AA		SCR CLSR PNL			791702				R3		0704	8							7.3
0960AA		RIV CLSR PNL			700368			60	R3		0704	8							7.4
0970AA		RIV CLSR PNL			700368			65	R3		0704	8							7.4

1 2 3 4 5 F.M.V.B.	REFERENCE	2E66X00	MODEL YEAR IS 78
			ORIGIN DATE 770715
			LAST CHG. DATE
			LAST CHG. CODE
			70 1C4 A 8
	MODEL APPLICATION	BODY SIDE, RR END, QUARTER & DECK	SK U. P. C. QRP PAGE
	UPC DESCRIPTION		



PRODUCT DESCRIPTION MANUAL

ASSEMBLY INFORMATION

GMT 1061 REV. 8/75

CHUCK TRUCK & COACH

ITEM	PART OR TOOL DESCRIPTION	ADD'L DATA	QTY	PART NUMBER	ENGINE CODES	SERIES	BOY BRN	ITEM RESTRICTION	DEPARTMENTS		CHANGE		LOGIC CODE	FUNCTION CODE	ADDITIONAL CODES	PKA	LINE NOS
									#1	2/5TA	CD	AUTH					
L930AA	SEAL 89"		*	8861094		60	83		0704	8							7.44
L950AA	SEAL 105"		*	8861094		65	83		0704	8							7.45
U940AA	ADHESIVE MBR		*	8860766					0704	8							7.46
U950AA	SCR RR VNT DR		2	9414714					0704	8							7.47
U960AA	RIV LH SI PNL		15	700368					0704	8							7.51
U970AA	RIV RH SI PNL		14	700368					0704	8							7.52
U980AA	CAP RR RF		1	691621					0704	9			0000090140				7.53
U990AA	SCR CAP		5	9419967					0704	9							7.54
U000AA	NUT		5	9431532					0704	9							7.55
U010AA	RIVET		14	2001628					0704	9							8.2
U020AA	PILLAR RR OTR LH		1	691623					0704	9			0000090142				8.4
U030AA	PILLAR RR OTR RH		1	691622					0704	9			0000090144				8.6
U040AA	RIVET PLK		6	708648					0704	9							8.8
U050AA	WA RIVET		6	9421089					0704	9							8.10
U060AA	NUT		14	271178					0704	9							8.12
U070AA	WA		14	120392					0704	9							8.14
U080AA	WA		14	3790662					0704	9							8.16
U090AA	BRACE RR COR PLR		1	696144					0704	9			0000090145				8.18
U100AA	RV BRACE FLR		18	700368					0704	9							8.20
U110AA	DUM RR ALG	EAL	1	721342					0704	14			0000140007				8.22
U111AA1	NOTE: ITEM #1112 AND #1114 ARE PART OF ASM #1110								0704								8.24
U112AA	LGOR ASM		1	691618					0704	14						02093	8.26
U113AA	INSULATION FOAM		*	R 37391					0704	14							8.28
U120AA	SCR DR BR		7	9416844					0704	14							8.30
U130AA	SEAL 26E"		*	8860947					0786	85							8.32

1 2 3 4 5 F.M.V.S.S.	REFERENCE	ZE06X00 MODEL APPLICATION BODY SIDE, RR END, QUARTER & DECK UPC DESCRIPTION	MODEL YEAR 1978 ORIGIN DATE 770715 LAST CHG. DATE LAST CHG. CODE 70 1C4 A 9 BK U. P. C. OMP PAGE
-------------------------------------	-----------	--	---

PRODUCT DESCRIPTION MANUAL

ASSEMBLY INFORMATION

ITEM NO.	PART OR TOOL DESCRIPTION	QTY	PART NUMBER	ENGINE CODES	GROUP	ITEM DESCRIPTION	QTY	UNIT	GROUP	ITEM DESCRIPTION	QTY	UNIT	GROUP	ITEM DESCRIPTION	QTY	UNIT	GROUP	ITEM DESCRIPTION
1000AA	ADHESIVE	8	6981098															
1000AA	SCR DR TO PKR	25	702627															
1100AA	RVNT LIC BKRT	2	2226070															
1100AA	SHIELD INSUL LH	1	703737															
1100AA	SHIELD INSUL RH	1	703738															
1100AA	FIVET SHLD	4	700368															
1100AA	ADHESIVE BODY	8	6980704															
1200AA	WINDOW RH A	1	791720															
1200AA	SCR A WDG	10	9437759															
1200AA	SUPT A WDG	4	702967															
1200AA	SCR SUPT	8	9414714															
1200AA	MUG A WDG RR	1	698148															
1200AA	PKR A WDG RR	1	708431															
1200AA	MUG A WDG UPK	1	698148															
1200AA	SCR MUG	6	9416622															
1200AA	SPLR A WDG UPK	1	708430															
1300AA	SPLR A WDG LWR	1	708429															
1300AA	WINDOW LH A	1	791719															
1300AA	SCR A WDG	10	9437759															
1300AA	SUPT A WDG	4	702967															
1300AA	SCR SUPT	8	9414714															
1300AA	MUG A WDG RR	1	698148															
1300AA	SPLR A WDG RR	1	708431															
1300AA	MUG A WDG UPK	1	698148															

1 2 3 4 5 6 7 8 9 10 11 12 13 14 15 16 17 18 19 20 21 22 23 24 25 26 27 28 29 30 31 32 33 34 35 36 37 38 39 40 41 42 43 44 45 46 47 48 49 50 51 52 53 54 55 56 57 58 59 60 61 62 63 64 65 66 67 68 69 70 71 72 73 74 75 76 77 78 79 80 81 82 83 84 85 86 87 88 89 90 91 92 93 94 95 96 97 98 99 100 101 102 103 104 105 106 107 108 109 110 111 112 113 114 115 116 117 118 119 120 121 122 123 124 125 126 127 128 129 130 131 132 133 134 135 136 137 138 139 140 141 142 143 144 145 146 147 148 149 150 151 152 153 154 155	REFERENCE	ZF06X00	MODEL APPLICATION BODY SIDE, RR IND, QUARTER & DECK UPC DESCRIPTION	MODEL YEAR 70 ORIGIN DATE 7/0715 LAST CHG DATE 7/1000 LAST CHG CODE 61390 70 104 A 10 RR U P C GNP PAGE
---	-----------	---------	---	--

PRODUCT DESCRIPTION MANUAL

ASSEMBLY INFORMATION

QNT 1001 REV. 8/78



GMC TRUCK & COACH

ITEM	QTY	PART OR TOOL DESCRIPTION	ADD'L DATA	QTY	PART NUMBER	ENGINE CODES	SERIES	REV	ITEM RESTRICTION	DEPARTMENTS		CHANGE CD	AUTH	LOGIC CODE	FUNCTION CODE	ADDITIONAL CODES	F7/A	LINE NOS
										#1	2-STA							
1390AA		SCR M LDC			9418622					0782	43							9.2
1390AA		SPCR A WDD UPP			708430					0782	43			0000430070				9.2
1600AA		SPCR A WDD LWR			708429					0782	43			0000430075				9.2
1410AA		TAPE			8061460					0782	43							9.2
1420AA		SASH RH FRT ST			790836					0782	46			0000460005				9.3
1420AA		SASH LH FRT ST			790836		65		APR	0782	46			3609460005				9.3
1430AA		RET SASH VERT			2011596					0782	46			0000460010				9.3
1430AA		RET SASH VERT			2011596		65		APR	0782	46			3609460010				9.3
1440AA		RET SASH FRT			2011592					0782	46			0000460015				9.3
1440AA		RET SASH FRT			2011592		65		APR	0782	46			3609460015				9.3
1450AA		SCREW RET			26 941471					0782	46							9.4
1450AA		SCREW RET			26 941471		65		APR	0782	46							9.4
1460AA		SASH LH FRT ST			790834					0782	46			0000460020				9.4
1460AA		SASH LH FRT ST			790834				APQ/APR	0782	46			5005460020				9.4
1470AA		RET SASH VERT			2011596					0782	46			0000460025				9.4
1470AA		RET SASH VERT			2011596				APQ/APR	0782	46			5005460025				9.4
1480AA		RET SASH HORZ			2011592					0782	46			0000460030				9.4
1480AA		RET SASH HORZ			2011592				APR	0782	46			5005460030				9.4
1490AA		SCREW RET			26 941471					0782	46							9.5
1490AA		SCREW RET			26 941471				APQ/APR	0782	46							9.5
1500AA		SASH RH RR ST			790837					0782	46			0000460035				9.5
1500AA		SASH LH RR ST			790837				APQ/APR	0782	46			5005460035				9.5
1510AA		RET SASH VERT			2011596					0782	46			0000460040				9.5
1510AA		RET SASH VERT			2011596				APQ/APR	0782	46			0000460040				9.5
1520AA		RET SASH HORZ			2011592					0782	46			0000460045				10.1
1520AA		RET SASH HORZ			2011592				APQ/APR	0782	46			5005460045				10.1
1530AA		SCREW RET			20 941471					0782	46							10.1
1530AA		SCREW RET			20 941471				APQ/APR	0782	46							10.1
1540AA		SASH LH RR ST			790835					0782	46			0000460050				10.1
1540AA		SASH LH RR ST			790835				APQ/APR	0782	46			5005460050				10.1
1550AA		RET SASH VERT			2011596					0782	46			0000460055				10.1
1550AA		RET SASH VERT			2011596				APQ/APR	0782	46			5005460055				10.1

1	REFERENCE MODEL APPLICATION BODY SIDE, RR END, QUARTER & DECK UPC DESCRIPTION	ZFO6X00	MODEL YEAR IS 78 ORIGIN DATE 770715 LAST CHG DATE LAST CHG CODE
2		70 1C4 A 11 BK V. P. C. QNT PAGE	
3			
4			
5			

PRODUCT DESCRIPTION MANUAL

ASSEMBLY INFORMATION

GMT 1001 REV. 8/78



CAME TRACK & LEADER

ITEM	S E Q	PART OR TOOL DESCRIPTION	ADD'L DATA	QTY	PART NUMBER	ENGINE CODES	SERIES	BOX BRW	ITEM RESTRICTION	DEPARTMENTS		CHANGE AUTH	LOGIC CODE	FUNCTION CODE	ADDITIONAL CODES	FIL.	PAGE NOS
										#1	2 STA						
1560	A	RET SASH HNDZ			201159			R		0782	46		0000	460060		2440	10.4
1560	B	RET SASH HNDZ			201159			R	APQ/APR	0782	46		5001	460060			10.5
1570	A	SCREW RET			941471			R		0782	46						10.7
1570	B	SCREW RET			941471			R	APQ/APR	0782	46						10.8
1590	A	SASH OH FRT INT			790839			R	APQ	0782	46		3612	460062			10.1
1590	B	RET SASH VERT			2011596			R	APQ	0782	46		3612	460070			10.3
1600	A	RET SASH HNDZ			2011596			R	APQ	0782	46		3612	460075			10.5
1610	A	SCREW RET			941471			R	APQ	0782	46						10.7
1620	A	SASH LH RT INT			790839				-APQ	0782	46		0226	460089			10.9
1620	B	SASH LH ST INT			790839			R	APR-APQ	0782	46		5006	460089			10.0
1620	C	WHD VERT CLC			200302				APQ	0782	46		5007	460089			10.1
1630	A	RET SASH VERT			2011596			R		0782	46		0000	460085			10.3
1630	B	RET SASH VERT			2011596			R	APR/APD	0782	46		5008	460085			10.4
1640	A	RET SASH HNDZ			2011596			R		0782	46		0000	460090			10.6
1640	B	RET SASH HNDZ			2011596			R	APR/APD	0782	46		5008	460090			10.7
1650	A	SCREW RET			941471			R		0782	46						10.9
1650	B	SCREW RET			941471			R	APR/APD	0782	46						10.0
1660	A	SASH ST DR WHD			790839					0782	46		0000	460095			10.2
1670	A	RET SASH VERT			2011596			R		0782	46		0000	460100			10.5
1680	A	RET SASH HNDZ			2011596			R		0782	46		0000	460105			10.8
1690	A	SCREW RET			941471			R		0782	46						10.1
1690	B	SCREW RET			941471			R		0782	46						10.2
1700	A	WLDG SA TDR			886155			R		0784	64		0000	645015			10.4
1700	B	WLDG SA OT			886155			R		0784	64		0000	645015			10.5
1700	C	WLDG SA YAT			886155			R	APQ	0784	64		3612	645015			10.6
1700	D	WLDG SA OT			886155			R	APR	0784	64		3609	645015			10.7
1710	A	PLAS BK LITE			691649					0782	44		0000	440100			10.9
1720	A	SEAL GLS			721869					0782	44		0000	440105			11.

1		7ERAX00	
2			MODEL YEAR IS TR
3			ORIGIN DATE 770715
4			LAST CHG. DATE
5			LAST CHG. CODE
	REFERENCE	MODEL APPLICATION	70 1CA A 12
		BODY SIDE, RR END, QUARTER & DECK	BK U. P. C. ORP PAGE
		UPC DESCRIPTION	



PRODUCT DESCRIPTION MANUAL

ASSEMBLY INFORMATION

GMT 1061 REV. 5/78

ITEM	QTY	PART OR TOOL DESCRIPTION	ADD'L DATA	QTY	PART NUMBER	ENGINE CODES	SERIES	BODY	ITEM RESTRICTION	DEPARTMENTS		CHANGE CD	LOGIC AUTH	LOGIC CODE	FUNCTION CODE	ADDITIONAL CODES	LINE NOS
										#1	2/51A						
1750AA		STRIP FIL 193"			K 37945					0782	44					27900	11.1
1750AA		RING EMERG PULL		1	706068					0782	44			0000440110		28000	11.10
1750AA		PNL RUD RR SPKR		2	700800					0782	47			0000470025		28020	11.12
1750AA		SCR PNL		4	9417311					0782	47					28025	11.14
1750AA		CVR RUD SPKR HL		2	700801					0782	47			CORR.0459470030		28030	11.16
1750AA		CVR RUD SPKR HL		1	700811					0782	47			CORR.0225470030		28030	11.17
1750AA		PNL SI TR LH		1	799998			83		0782	44			0000440115		28100	11.19
1750AA		PNL SI TR LH		1	799998			81641/697		0782	44			3648440115		28100	11.20
1750AA		PNL SI TR LH		1	2004302			81698		0782	44			3484440115		28100	11.21
1750AA		SCREW MTG LH		4	9431515					0782	44					28200	11.23
1770AA		PNL SI TR RH		1	790079			83		0782	44			0000440120		28300	11.25
1770AA		PNL SI TR RH		1	790079			81641/697		0782	44			3648440120		28300	11.26
1770AA		PNL SI TR RH		1	2001321			81698		0782	44			3484440120		28300	11.27
1760AA		LABEL ST FWD		1	2001884					0782	44			0000440125		28350	11.29
1750AA		SCREW MTG RH		4	9431515					0782	44					28400	11.31
1800AA		SCREW PNL		6	9423437					0782	44					28450	11.33
1800AA		SCREW PNL		4	9424875					0782	44					28450	11.35
1800AA		RA		4	140251					0782	44					28475	11.37
1800AA		ASH TRAY TR PNL		1	466902					0782	44			0000440130		28500	11.40
1800AA		BOX STOR		2	1681108			83		0782	44			0000440135		28600	11.42
1800AA		BOX STOR		2	1681108			81641/697		0782	44			3648440135		28600	11.43
1800AA		BOX STOR		2	2001323			81698		0782	44			3484440135		28600	11.44
1800AA		PNL A-SUSP SW		1	701367					0782	44			0000440140		28810	11.46
1800AA		J INGT PANEL		4	9420137					0782	44					28820	11.48
1800AA		SCREW PANEL		4	9419327					0782	44					28830	11.50
1800AA		PNL RR LWR LH		1	2007911			81		0784	62			0000625160		28900	11.52
1800AA		PNL RR LWR LH		1	2007912			83		0784	62			0000625160		28900	11.53

ZE06X00

MODEL APPLICATION

BODY SIDE, RR END, QUARTER & DECK

UPC DESCRIPTION

MODEL YEAR 1978

ORIGIN DATE 770715

LAST CHG. DATE 770927

LAST CHG. CODE CORR.

70 1C4 A 13

PK U. P. C. QRP PAGE

REFERENCE



PRODUCT DESCRIPTION MANUAL
ASSEMBLY INFORMATION

GMT 1081 REV. 6/78

ITEM NO.	PART OR TOOL DESCRIPTION	ADD'L DATA	QTY	PART NUMBER	M O D	ENGINE CODES	SERIES	BODY BRK	ITEM RESTRICTION	DEPARTMENTS		CHANGE CD	LOGIC AUTH	LOGIC CODE	FUNCTION CODE	ADDITIONAL CODES	LINE NOS
										1.	2. STA						
1890AA	PNL RR LWR RH		1	2007910				81		0784	62			0000625165		M29000	11.55
1890AB	PNL RR LWR LH		1	2007916				83		0784	62			0000625165		M29000	11.56
1900AA	LVR CUR PNL		2	2463236						0784	64			0000645030		M29100	11.58
1910AA	SCREW LVR		4	9414721						0784	54						12.1
1920AA	SCREW PNL		11	9414733						0784	64						12.3
1920AB	SCREW PNL		8	9414733						0784	64						12.4
1930AA	PNL RA DR LWR		1	713193						0786	85			0000855010		M29400	12.7
1940AA	SCREW PNL		14	9416166						0786	85						12.9
1950AA	WA		14	140270						0786	85						12.11
1960AA	CLIP LWR PNL		2	9431530						0786	85			0000855015		M29700	12.13
1970AA	SCR DR ANG		2	9416166						0786	85						12.16
1980AA	WA		2	140270						0786	85						12.18

2E06X00

MODEL YEAR 1978
ORIGIN DATE 770715
LAST CHG DATE 770927
LAST CHG CODE COR8

MODEL APPLICATION
BODY SIDE, RR END, QUARTER & DECK
UPC DESCRIPTION

70 1C4 A 14
BK U. P. C. OFF PAGE

F.M.V.S.S.

REFERENCE



PRODUCT DESCRIPTION MANUAL

ASSEMBLY INFORMATION

GMT 1001 REV. 8/78

ENGINE THROUGH & THROUGH

ITEM	QTY	PART OR TOOL DESCRIPTION	ADD'L DATA	QTY	PART NUMBER	ENGINE CODES	SERIES	DOY	ITEM RESTRICTION	DEPARTMENT		CHANGE AUTH	LOGIC CODE	FUNCTION CODE	ADDITIONAL CODES	FNA	NOS
										01	2/5A						
AAC101		LK & DR FRAME			L6017					0704							1.8
AAC201		DR FLK & CHAN			L2995					0704							1.10
AAC301		ENTR DR LK CYL			L5135					0704							1.12
AAC302		ASM INSTL								0704							1.13
AAC401		LK CYL ASM ENTR			L6635					0704							1.15
CC100A		DOOR ASM ENT		1	791395					0704	10		0000	100050			1.21
CC15AA		NOTE: ITEMS #0020 THRU #0070 ARE PART OF ASM #0010.								0704	10						1.23
CC20ZA		PNL DR OUTER		1	716214					0704	10						1.25
CC30ZA		PNL DR CUTER		1	689604					0704	10						1.26
CC40ZA		ADHESIVE			8860766					0704	10						1.30
CC50ZA		RAIL LONGIT BELT		1	2007983					0704	10						1.32
CC60ZA		SCREW		3	9423437					0704	10						1.34
CC70ZA		FRAME ASM DR		1	791394					0704	10						1.36
CC75AA		NOTE: ITEM #0080 THRU #0140 ARE PART OF ASM #0070.								0704	10						1.38
CC80ZA		CHANNEL OT LK		1	716207					0704	10						1.40
CC90ZA		CHANNEL OT HINGE		1	791391					0704	10						1.42
C100ZA		CHANNEL OT VPR		1	716212					0704	10						1.44
C110ZA		CHANNEL OT LOW		1	716211					0704	10						1.46
C120ZA		REINF ROB RAIL		1	716209					0704	10						1.48
C130ZA		REINF ROL RAIL		1	2480675					0704	10						1.50
C140ZA		SUPT SASH LOWER		1	716210					0704	10						1.52

ZF06X00

MODEL YEAR IS 78
 ORIGIN DATE 770716
 LAST CHG. DATE
 LAST CHG. CODE
 70 1C5A A 1
 BK. V. P. C. GRP. PAGE

MODEL APPLICATION
 FR1 DOOR & DOOR FRAME
 UPC DESCRIPTION

REFERENCE

PRODUCT DESCRIPTION MANUAL

ASSEMBLY INFORMATION

3MT 1081 REV. 8/78

ENGINE TRUCK & COACH

ITEM	QTY	PART OR TOOL DESCRIPTION	ADD'L DATA	QTY	PART NUMBER	ENGINE CODES	SERIES	BOY ARR	ITEM RESTRICTION	DEPARTMENTS		CHANGE AUTH	LOGIC CODE	FUNCTION CODE	ADDITIONAL CODES	FNA	HQS
										#1	2-STA						
000000	1	DR G DR FRM		1	L6637					0782							1.0
000000	1	DR DLP E CHAM		1	L2995					0782							1.10
000000	1	SLIDE		1						0782							1.1
000000	1	LK CYL ASM ENTP		1	L6635					0782							1.1
000000	1	DR INSTL		1						0782							1.1
000000	1	LUR CHART		1	MD1029					0704							1.1
001000	1	LOCK ASM SI DR		1	71619					0782	38		0000380060				1.2
002000	1	SPACER DR LK		1	71622					0782	38		0000380065				1.2
003000	1	KEY SI DR LK		1	97282					0782	38		0000380070				1.2
004000	1	SCREW DR LK		1	18698					0782	38						1.2
005000	2	WASHER DR LK		2	94210					0782	38						1.3
006000	2	WASHER DR LK		2	10332					0782	38						1.3
007000	2	NUT DR LK		2	94179					0782	38						1.3
008000	2	SCREW DR LK		2	15594					0782	38						1.3
009000	1	SCREW LAY DR		1	18038					0782	38						1.3
010000	1	HINGE ASM LWR		1	68961					0704	10		0000100055				1.4
010000	1	NOTE: ITEM 6010 THRU 60150 ARE PART OF ASM 60100.		1						0704	10						1.4
011000	1	HINGE LEAF PTLAR		1	68965					0704	10						1.4
012000	1	HINGE LEAF DR		1	68961					0704	10						1.4
013000	1	PIN SI DR HINGE		1	33042					0704	10						1.4

1 2 3 4 5		7EN500	
		MODEL APPLICATION FRY DCR OPERATING MECHANISM UPC DESCRIPTION	MODEL YEAR 1978 ORIGIN DATE 770716 LAST CHG DATE LAST CHG CODE 70 1C58 A 1 BK U. P. C. QMP PAGE



PRODUCT DESCRIPTION MANUAL

ASSEMBLY INFORMATION

GMT 1081 REV. 6/78

GENE TRUCK & COACH

ITEM	QTY	PART OR TOOL DESCRIPTION	ADD'L DATA	PART NUMBER	ENGINE CODES	SERIES	BODY APP	ITEM RESTRICTION	DEPARTMENTS		CHANGE		LOGIC CODE	FUNCTION CODE	ADDITIONAL CODES	FNA	LINE NOS
									#1	2/STA	CD	AUTH					
014074		PUSHING PIN PIN		4150462					0704	10							1.5
015074		LUBRICANT		0985184					0704	10							1.5
016074		HINGE ASM UPD		68963					0704	10		0000	100060				1.5
016574		NOTE: ITEM #016 AND #0210 ARE PART OF ASM #0160.							0704	10							1.5
017074		HINGE LEAF PLATE		689449					0704	10							1.5
018074		HINGE LEAF DR		689632					0704	10							2.1
019074		PIN HINGE SI DR		330423					0704	10							2.3
020074		PUSHING PIN		4150462					0704	10							2.5
021074		LUBRICANT		0985184					0704	10							2.7
022074		COMMET HGE LEAF		554032					0782	36							2.9
023074		SCREW SI ENTP		274844					0704	10							2.1
024074		SCREW DR HGE		274905					0704	10							2.1
025074		SEALER HGE		8435766					0704	22							2.1
026074		PNL SI ENTP LAY		202919					0782	36		0000	380073				2.1
027074		PAN PLS REINE		714239					0782	36		0000	380080				2.1
028074		IMPESIVE		937113					0782	36							2.2
029074		KNIB LAY PUSH		798750					0782	36		0000	380083				2.2
030074		COMMET LAY		330484					0782	36							2.2
031074		WASHER DR LAY		229743					0782	36							2.2
032074		CLIP DR LAY		714502					0782	36		0000	380090				2.2
033074		NOY DR LAY		149425					0782	36							2.3
034074		GASKET SI DR		714527					0782	36		0000	380093				2.3

1																	
2																	
3																	
4																	

2703000

MODEL APPLICATION
FRONT DOOR OPERATING MECHANISM

UPC DESCRIPTION

MODEL YEAR IS 78
ORIGIN DATE 770716
LAST CHG. DATE
LAST CHG. CODE
70 1C58 A 2
DR. V. P. C. DR. PAGE

PRODUCT DESCRIPTION MANUAL

ASSEMBLY INFORMATION

DMT 1001 REV. 8-78



ENGINE TRUCK & COACH

ITEM	QTY	PART OR TOOL DESCRIPTION	ADD'L DATA	QTY	PART NUMBER	ENGINE CODES	SERIES	REV	ITEM RESTRICTION	DEPARTMENTS		CHANGE CD	AUTH	LOGIC CODE	FUNCTION CODE	ADDITIONAL CODES	FNA	LINE NOS
										01	02 STA							
0350AA		COVER ASM STRAP			220008918					0784	65			0000	655005		M12440	2.35
0360AA		STRAP DR PULL		1	2029222					0784	62			0000	625045		M12455	2.31
0370AA		NUT		2	145487					0782	38						12462	2.39
0380AA		SCREW SUPT		5	9417269					0782	38						12500	2.41
0390AA		RIVNUT DR SUPT		4	2226070					0782	38						12600	2.43
0400AA		RIVNUT CHAN		1	2226070					0782	38	REPRC					12700	2.45
0410AA		WASHER PNL		5	140252					0782	38						12710	2.47
0420AA		SCREW MTG PNL		5	9420147					0782	38						12800	2.49
0430AA		WASHER ASM 1/5		4	271168					0782	38	REPRC					12900	2.51
0440AA		WASHER ASM 0/5		4	271168					0782	38	REPRC					13000	2.53
0450AA		DR LK		4	9985084					0784	62						19000	2.55
0500AA		STRAP DR CHK		1	3959858					0784	65			0000	655010		M13020	2.57
0510AA		BRKT CHK STRAP		1	3194767					0784	65			0000	655020		M13040	2.59
0520AA		PIN CHK STRAP		1	3194770					0784	65						13060	3.2
0530AA		SCREW BRKT		4	9418374					0784	65						13080	3.4
0550AA		BRKT CHK STRAP		1	2009730					0784	65			0000	655015		M13040	3.6

REVISIONS	REFERENCE	ZE05000	MODEL YEAR IS 78
		MODEL APPLICATION	ORIGIN DATE 770716
		FRY DOOR OPERATING MECHANISM	LAST CHG DATE 770929
	UPC DESCRIPTION		LAST CHG CODE REPRC
			70 1C58 A 3
			BK U. P. C. ORP PAGE

PRODUCT DESCRIPTION MANUAL

ASSEMBLY INFORMATION

GMT 1081 REV 8/78



GENE FRONCH & COMPANY

ITEM NO	PART OR TOOL DESCRIPTION	ADD'L DATA	QTY	PART NUMBER	ENGINE CODES	SERIES	BODY	ITEM RESTRICTION	DEPARTMENTS		CHANGE		LOGIC CODE	FUNCTION CODE	ADDITIONAL CODES	LINE NOS
									#1	2/STA	CD	AUTH				
PA02L14	OR ST L/D			16776					0782							1.6
PA02L14	OR ST L/D			16776					0786							1.10
GC10AA	SEAT ASM DR		1	2014430			63-AN4		0782	48			3664480025	M		1.21
GC10AB	SEAT ASM DR		1	2014429			63AN4		0782	48			3665480025	M		1.22
GC10AC	SEAT ASM DR		1	2010337			81641		0786	80			3477805025	M		1.23
GC10AD	SEAT ASM DR		1	2027538			81685		0786	80			3461805025	M		1.24
GC10AE	SEAT ASM DR		1	2002263			81697		0786	80			3561805025	M		1.25
GC10AG	SEAT ASM DR		1	2002266			81698		0786	80			3484805025	M		1.26
CO20AA	PEDESTAL OR ST		1	2026712			63		0782	48			0000480030	M		1.28
CO20AB	PEDESTAL OR ST		1	2028527			81641-APU		0782	48			1302480030	M		1.29
CO20AC	PEDESTAL OR ST		1	2027536			81685		0782	48			6037480030	M		1.30
CO20AD	PEDESTAL OR ST		1	2028585			81697-APU		0782	48			1303480030	M		1.31
CO20AF	PEDESTAL OR ST		1	2028525			81698-APU		0782	48			1306480030	M		1.34
CO20AG	PEDESTAL OR ST		1	7903E1			81APU L 697		0782	48	56869	1311480030	M		1.35	
CO20AH	PEDESTAL OR ST		1	2000648			81APU L 698		0782	48	56869	1312480030	M		1.36	
CO20AJ	PEDESTAL OR ST		1	2010329			81APU L 641		0782	48	56869	1309480030	M		1.37	
CO30AA	ELCT ST PEDESTAL		12	9419037					0782	48						1.37
CO40AA	WASHER		12	9418304					0782	48						1.39
CO50AA	WA LR		12	103320					0782	48						1.41
CO60AA	NUT		12	9417954					0782	48						1.43
CO70AA	TRACK ASM		1	799277					0786	80			0000805030	M		1.45
CO80AA	WASHER		2	2008786					0786	79						1.47
CO90AA	WASHER		4	2436162					0786	79						1.49
C100AA	NUT		4	9422295					0786	80						1.51

ZE06X00

MODEL YEAR 1978
 ORIGIN DATE 77C716
 LAST CHG DATE
 LAST CHG CODE

MODEL APPLICATION
 DRIVERS SEAT
 UPC DESCRIPTION

70 1C7A A 1
 BK V. P. C. GMP PAGE

REFERENCE

PRODUCT DESCRIPTION MANUAL

ASSEMBLY INFORMATION

GMT 1061 REV. 9/78

TRUCK & COACH

ITEM	QTY	PART OR TOOL DESCRIPTION	ADD'L DATA	PART NUMBER	ENGINE CODE	SERIES	REV	ITEM RESTRICTION	DEPARTMENTS		CHANGE AUTH	LOGIC CODE	FUNCTION CODE	ADDITIONAL CODES	FNA	LINE NO.
									#1	#2/STA						
AAD124	1	PASS ST L/O		L677					0782							1.8
AAC244	1	PASS ST L/O		L677					0786							1.1
001044	1	SEAT ASM PASS		2014430			R3-AN4		0782	48		3663	480035			1.1
001048	1	SEAT ASM PASS		2014429			R1AN4		0782	48		3664	480035			1.1
001040	1	SEAT ASM PASS		2010337			P641		0786	80		3477	805035			1.1
001049	1	SEAT ASM PASS		2028530			R685		0786	80		6037	805035			1.1
001045	1	SEAT ASM PASS		2002267			P697		0786	80		3461	805035			1.1
001047	1	SEAT ASM PASS		2002264			R1698		0786	80		3484	805035			1.2
002044	1	PEDESTAL DR ST		2028711			R1		0782	48		0000	480040			1.2
002048	1	PEDESTAL DR ST		2028524			R1641-APU		0782	48		1302	480040			1.2
002040	1	PEDESTAL DR ST		2028537			R685		0782	48		6037	480040			1.2
002041	1	PEDESTAL DR ST		2028584			R1697-APU		0782	48		1303	480040			1.2
002042	1	PEDESTAL DR ST		2028524			R1698-APU		0782	48		1304	480040			1.2
002046	1	PEDESTAL DR ST		750302			R1APU E 697		0782	48		1311	480040		04282	1.2
002045	1	PEDESTAL DR ST		2000647			R1APU E 698		0782	48		1312	480040		04282	1.2
002047	1	PEDESTAL DR ST		2710330			R1APU E 641		0782	48		1309	480040		04282	1.2
003044	1	BOLT ST PEDESTAL		9418037					0782	48						1.3
004044	1	WASHER		9418304					0782	48						1.3
005044	1	WALK		103320					0782	48						1.3
006044	1	NUT		9417984					0782	48						1.3
007044	1	TRUCK ASM		798277					0786	80		0000	805040			1.3
008044	1	WASHER		2008786					0786	79						1.4
009044	1	WASHER		2436162					0786	79						1.4
010044	1	NUT		9422795					0786	80						1.4

1 2 3 4 5	ZFO6X00										MODEL YEAR 1978	
											ORIGIN DATE 770716	
											LAST CHG DATE	
											LAST CHG CODE	
MODEL APPLICATION AUXILIARY SEAT UPC DESCRIPTION											70 1C7B A 1	
REFERENCE										BK V. P. C. QPP PAGE		

27

PRODUCT DESIGN MANUAL

ASSEMBLY INFORMATION

QTY	PART OR TOOL DESCRIPTION	UNIT DATA	PART NUMBER	QTY PER ASSEMBLY	QTY PER SUB-ASSEMBLY	QTY PER UNIT	QTY PER SUB-UNIT	QTY PER PART	QTY PER SUB-PART	QTY PER UNIT	QTY PER SUB-UNIT	QTY PER PART	QTY PER SUB-PART
1	BODY MFG INSTL		17712										
1	BODY MFG INSTL		1651										
1	WHEEL FRT BODY		69939										
1	PLATE ASM MFG F		76065										
1	WHEEL TREN WOOD 2 AND		24 ARE PART OF ASM #0020										
1	PLATE MFG MFG		100051										
1	GOLT PLATE		102050										
1	WAL MT TO FRM		9421042										
1	WAL MT TO FRM		103321										
1	WAL MT TO FRM		9421751										
1	WAL BODY FRT MT		9421012										
1	WAL BODY FRT MT		2436161										
1	WAL BODY FRT MT		681190										
1	WAL BODY FRT MT		9422509										
1	WAL BODY MT		700134										
1	WAL BODY MT		9425082										
1	WAL BODY MT		9422332										
1	WAL BODY FRT MT		3914401										
1	WAL BODY MT		2436161										
1	WAL BODY MT		9422301										
1	WAL BODY MOUNT CTR SECT		791304										
1	WAL BODY MOUNT CTR SECT		2023471										

7106X00

MODEL APPLICATION
BODY MOUNTING
UPC DESCRIPTION

MODEL YEAR 1971
ISSUE DATE 11/71
ASSEMBLY DATE 11/71
ASSEMBLY CODE C1390
70 FULL A 1
OR U.P.C. OR PAGE

REFERENCE

PRODUCT DESCRIPTION MANUAL

ASSEMBLY INFORMATION

ITEM NUMBER	PART OR TOOL DESCRIPTION	QTY	PART NUMBER	ENGINE OPTION	EQUIV. PART	ITEM DESCRIPTION	QTY	PART NUMBER	ENGINE OPTION	EQUIV. PART
020000	SA CR CR SECT	1	103371				0154	10		
020001	NOE CR SECT	1	943770				0154	10		
020002	CUSHION BODY MT	4	700160				0154	10		
020003	MOUNT BODY RR	2	699899				0154	10		
020004	PLATE ASM RC MT	2	700859				0152	10		
020005	NOTES: ITEM 0020 AND 0060 ARE PART OF ASM 00260.									
020006	PLATE MTG	1	700858				0152	10		
020007	BOLT MTG PLT	4	189850				0154	10		
020008	SA PLT BOLT	8	942104				0154	10		
020009	SA CR PCT SECT	4	103371				0154	10		
020010	NOE PCT SECT	1	943770				0154	10		
020011	BOLT BODY RR	2	9424308				0106	05		
020012	SA BODY RR	2	2436167				0106	05		
020013	SA BODY RR	4	001190				0119	05		
020014	NOE BOLT MT	2	9422305				0152	10		
020015	INSUL FRM TO FLR	20	2005279		05	-KNC	0154	10		3599E7006
020016	INSUL FRM TO FLR	19	2005279		05	KNC	0154	10		3459E7006
020017	INSUL FRM TO FLR	18	2005279		00		0154	10		0000E7006
020018	SEAL BODY MT	1	0133056		03		0154	07		

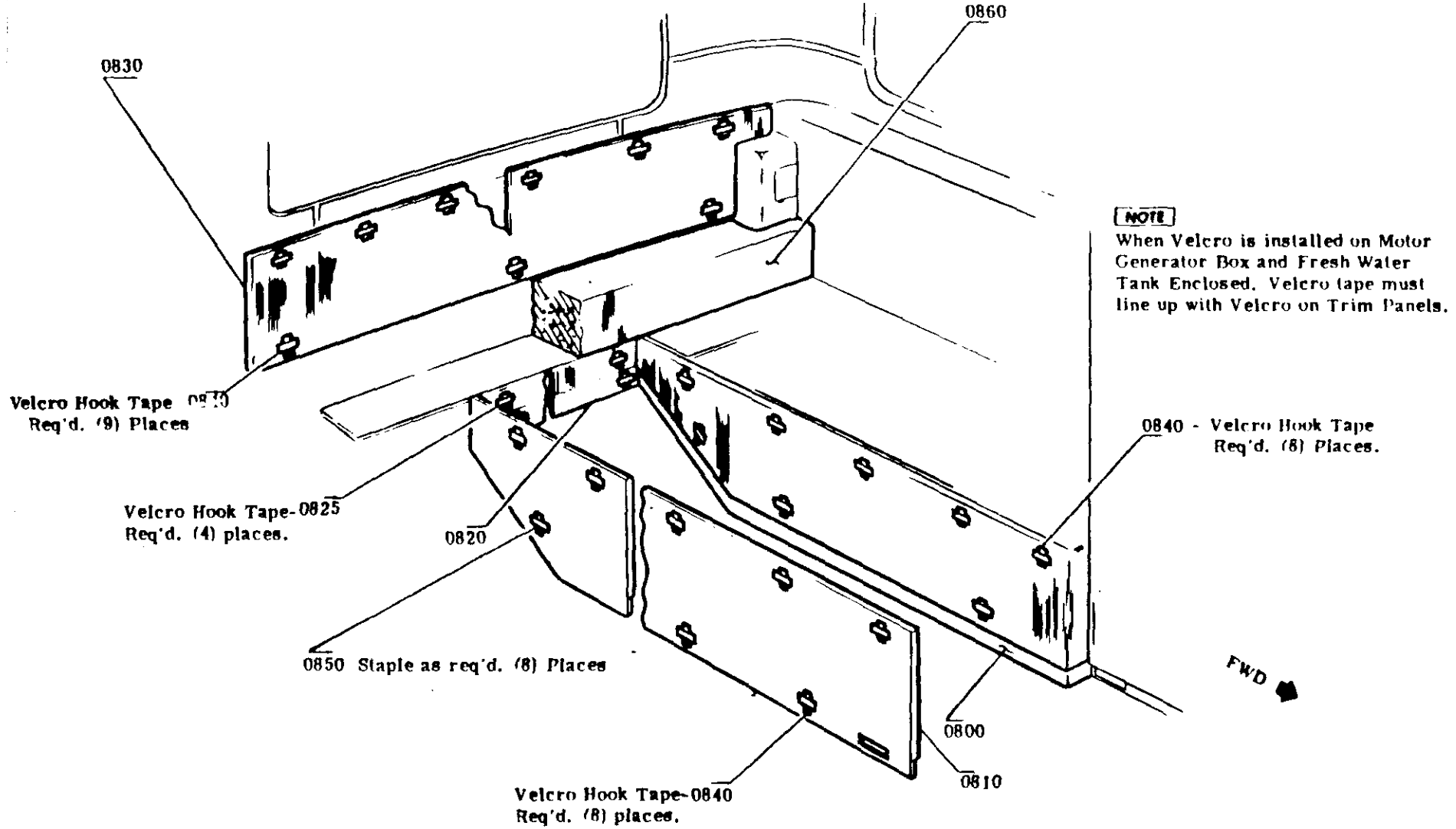
2L06X00

MODEL APPLICATION
BODY MOUNTING
UPC DESCRIPTION

MODEL YEAR 1971
 DESIGN DATE 11/11/66
 REVISED DATE 11/11/66
 REVISION CODE 01/17/70
 TO: UFF 3 2
 DR. P. C. ...

REFERENCE

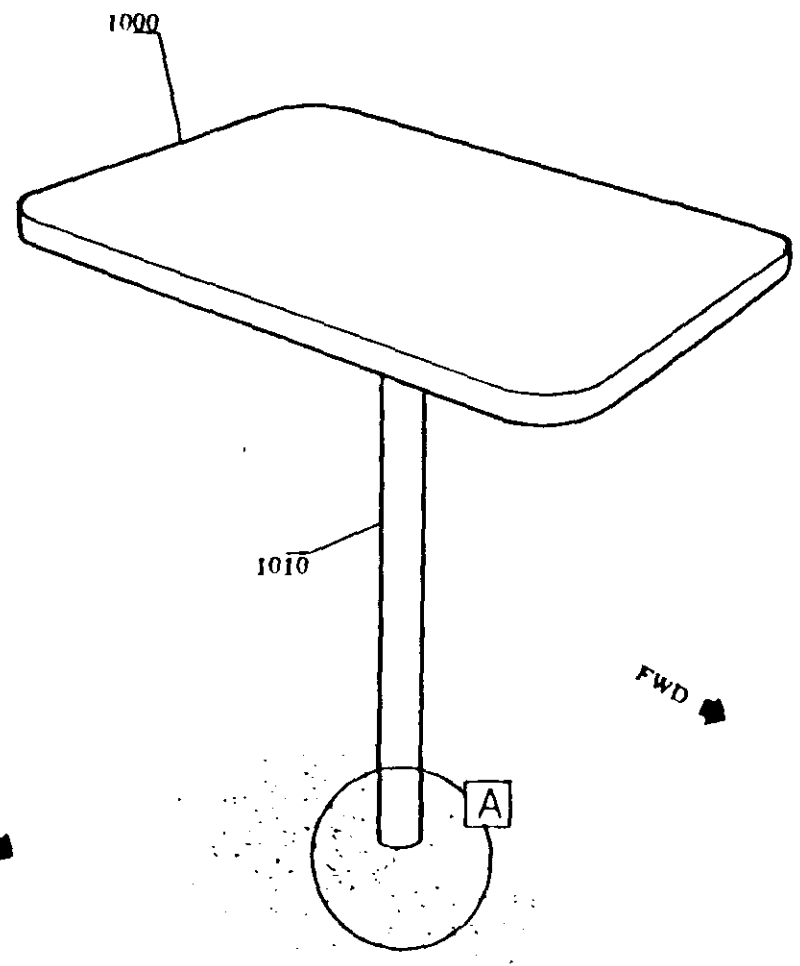
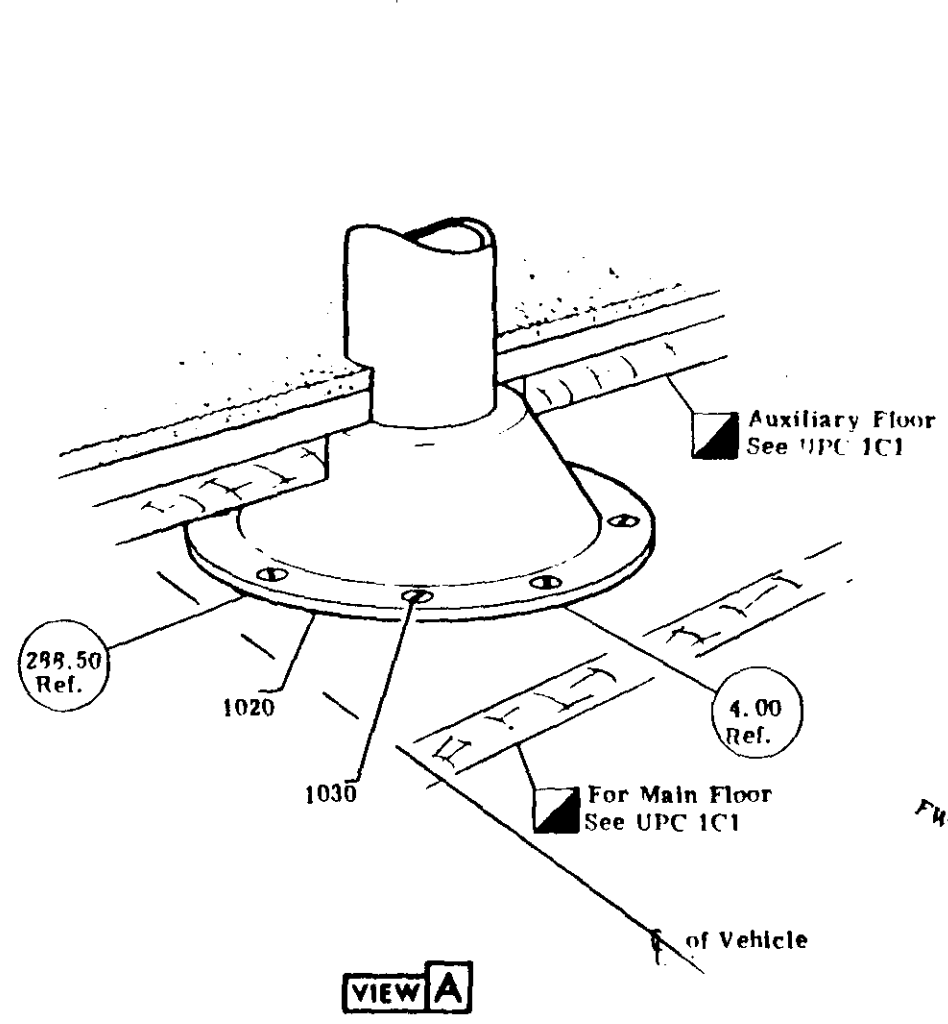
GMT 922 1-73



DYNAME (Installation) - 185	WAND (Inspection) - 185	DATE	SYM	REVISION	AUTH	DR	CK	DEPARTMENTS	78 TRUCK	BOOK 70
▲		7/17/71		ORIGINAL RELEASE	17800	17800		S. Thompson	TITLE	
▲									REAR TRIM PANELS & CUSHIONS	
▲									NAME	
▲									FURNITURE	
▲									OPTION	
▲									TK1	
▲									SUPP	
▲									1	

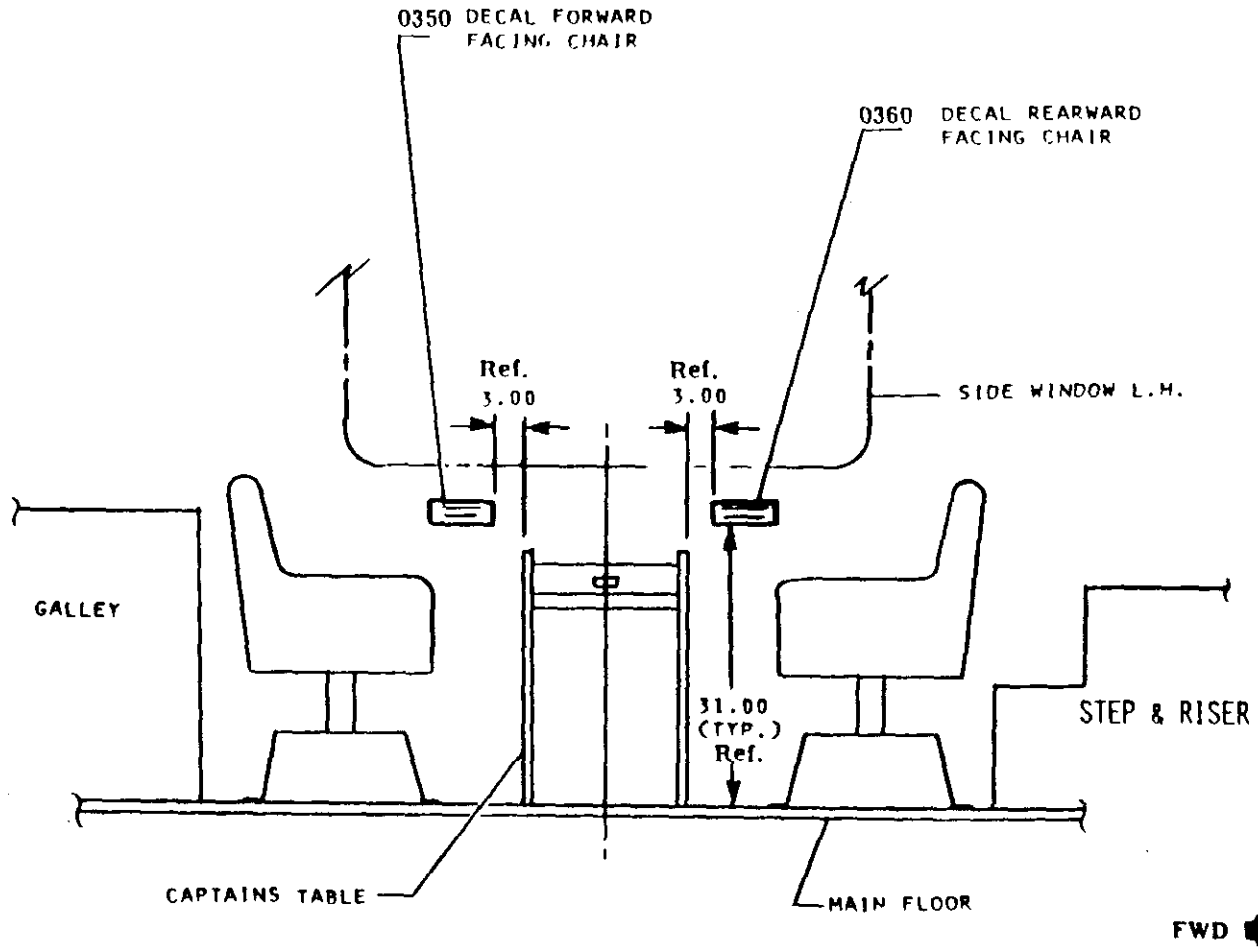
□ ITEM REFERENCE ◇ PROCESS MATERIAL △ TORQUE ◻ PART OF OR EXISTING

GMT 922 1/75



SYMBOL (Installation) - (LBS)	MARK (Inspection) - (LBS)	DATE	SYM	REVISION	AUTH	DR	CR	DEPARTMENTS	TRUCK	BOOK
△		1/9/77		ORIGINAL RELEASE				Engineering	78	70
△										
△										
△										
△										
△										
									TITLE	
									DINING TABLE	
									W/ENK	
									NAME	
									FURNITURE	
									DIVISION/UPC	
									1K1	
									SHEET	
									2	

GMT 922 1 75



BY WHOM (Inspection) - LBS	DATE	SYM	DIVISION	QTY	OR	PK	DEPARTMENTS	TITLE
△	7/9/77		ORIGINAL RELEASE	42000			R. Hampton	'78 TRUCK BOOK 70
△								SEATING LABEL FOR SWIVEL CHAIRS W/APN
△								NAME DIVISION/MPK UNIT
△								FURNITURE WK1 14

PRODUCT DESCRIPTION MANUAL

ASSEMBLY INFORMATION

GMT 1061 REV 5/78



ENGINE TRUCK & CRACK

ITEM	SEQ	PART OR TOOL DESCRIPTION	ADD'L DATA	QTY	PART NUMBER	ENGINE CODES	SERIES	DOY	ITEM RESTRICTION	DEPARTMENTS		CHANGE		LOGIC CODE	FUNCTION CODE	ADDITIONAL CODES	PRI	FILE NOS
										#1	2/STA	CD	AUTH					
AA00	01	RR T2 PNL G			MD1296					0786								1.8
AA00	02	CUSH INSTL								0786								1.9
AA02	01	ST FAC SETTER			L6669					0786								1.1
AA02	02	ST INSTL								0786								1.1
AA03	01	DAVY/RINK/ST			L6670					0786								1.1
AA03	02	INSTL								0786								1.1
AA04	01	LABEL LOCATION			L6653					0786								1.1
AA05	01	DINETTE ST/ST			L6671					0786								1.1
AA05	02	RELT G TABLE								0786								1.2
AA06	01	SWIV CHAIR/SY			L6607			APN		0786								1.2
AA06	02	RELT/TABLE								0786								1.2
AA07	01	SWIV CHAIR SY			L7713			APN		0786								1.2
AA07	02	LABEL								0786								1.2
AA08	01	SY RELT DRILL			MD1296			APN		0786								1.2
AA08	02	INSTL								0786								1.2
AA09	01	FLR AUX DRILL			MD12910			APN		0702								1.3
AA09	02	SWIV CHAIRS								0702								1.3
AA10	01	DR TABLE INSTL			L9627			FAP		0782								1.3
AA12	01	DR FAC DINETTE			L6638					0786								1.3
AA12	02	LABEL LOC								0786								1.3

1 2 3 4 5	F.M.V.S.S.	REFERENCE	2F063F1	MODEL YEAR IS 78
			MODEL APPLICATION	ORIGIN DATE 770716
			FURNITURE	LAST CHG. DATE
			UPC DESCRIPTION	LAST CHG. CODE
				70 IK1 A 1
				OR U. P. C. OR PAGE



PRODUCT DESCRIPTION MANUAL

ASSEMBLY INFORMATION

GMT 1081 REV 5/78

GMC TRUCK & COACH

ITEM QTY	PART OR TOOL DESCRIPTION	ADD L DATA	QTY	PART NUMBER	ENGINE CODES	SERIES	REV BTR	ITEM RESTRICTION	DEPARTMENTS		CHANGE CD	AUTH	LOGIC CODE	FUNCTION CODE	ADDITIONAL CODES	LINE NOS
									#1	#2/STA						
0010AA	SEAT DAYDLEBUNK		1	2028520				641-APN-APU	0786	79			1322795050	M	00400	1.39
0010AB	SEAT DAYDLEBUNK		1	2028584				697-APN-APU	0786	79			1380795050	M	00400	1.40
0010AC	SEAT DAYDLEBUNK		1	2028521				698-APN-APU	0786	79			1382795050	M	00400	1.41
0010AD	SEAT DAYDLEBUNK		1	2027548				685	0786	79			6037795050	M	00400	1.42
0010AE	SEAT DAYDLEBUNK		1	2010331				APUG 641	0786	79			1309795050	M	00400	1.43
0010AF	SEAT DAYDLEBUNK		1	2016066				APUG 697	0786	79			1311795050	M	00400	1.44
0010AG	SEAT DAYDLEBUNK		1	2016091				APUG 698	0786	79			1312795050	M	00400	1.45
0020AA	SCREW ANCHOR		6	9423753				-APN	0786	80					00425	1.47
0030AA	ERRT WALL MFG		2	200777R				-APN	0786	80			3436805045		M00405	1.49
0040AA	SCR ERRT WALL		4	167264				-APN	0786	60					00420	1.51
0050AA	PIN HINGE/ERRT		2	141227				-APN	0786	80			3436805050		M00417	1.52
0060AA	CAP PIN RETAIN		2	796103				-APN	0786	80			3436805055		M00418	1.53
0070AA	HOOK DAYD BUNK		2	2016307				-APN	0704	10			3436100065		M00410	1.54
0080AA	BOLT HOOK/KE		4	9419004				-APN	0704	10					00412	1.59
0090AA	WA HOOK BOLT		4	2436161				-APN	0704	10					00413	2.2
0100AA	NUT BOLT FT#		4	9422273				-APN	0704	10					00414	2.4
0110AA	COVER HOOK		2	2016368				-APN	0786	76			3436765005		M00415	2.6
0120AA	SCREW COVER		4	9422459				-APN	0786	76					00416	2.8
0140AA	BOLT BELT ANCHOR		4	9427615				-APN	0784	65					00721	2.10
0150AA	WASHER BOLT		4	2436165				-APN	0784	65					00722	2.14
0160AA	NUT BOLT FT#		4	9422301				-APN	0784	65					00724	2.14
0200AA	SEAT SWIV CHAIR		2	2010351				APNL 641	0786	80			3524805060	M	01900	2.16
0200AB	SEAT SWIV CHAIR		2	799320				APNL 697	0786	80			3525805060	M	01900	2.17
0200AC	SEAT SWIV CHAIR		2	2000936				APNL 698	0786	80			3526805060	M	01900	2.18
0210AA	PEDESTAL CHAIR		2	2010348				APNL 641	0782	48			3524480045	M	01925	2.20
0210AB	PEDESTAL CHAIR		2	798720				APNL 697	0782	48			3525480045	M	01925	2.21
0210AC	PEDESTAL CHAIR		2	2000935				APNL 698	0782	48			3526480045	M	01925	2.22
0220AA	BOLT PEDESTAL		8	9426323				APN	0782	48					01950	2.24
0220AB	BOLT FT#		8					APN	0782	48						2.25
0230AA	WA LK BOLT		8	103324				APN	0782	48					01960	2.27

ZE06561

MODEL YEAR 1978
 ORIGIN DATE 770716
 LAST CHG DATE 770927
 LAST CHG CODE URR

MODEL APPLICATION
 FURNITURE
 UPC DESCRIPTION

70 IKI A 2
 BK V. P. C. GMP PAGE

F.M.V.S.S.

REFERENCE

PRODUCT DESCRIPTION MANUAL

ASSEMBLY INFORMATION

QMT 1001 REV. 8/78



ONE TRUCK & COACH

ITEM	QTY	ART OR TOOL DESCRIPTION	ADD'L DATA	QTY	PART NUMBER	ENGINE CODES	SERIES	BODY	ITEM RESTRICTION	DEPARTMENTS		CHANGE AUTH	LOGIC CODE	FUNCTION CODE	ADDITIONAL CODES	FNA	REV
										#1	2/STA						
0240A	1	SPACER PFD BOLT			2000567					0782	48		3494	480050			2.2
0250A	1	BOLT CHAIR/PFD			9419010					0786	80						2.3
0254A	1	WA LK			103319					0786	80						2.3
0260A	1	PLATE ANCHOR			701805					0702	6		3494	060150			2.3
0270A	16	SCR CHAIR A/PLT			942115					0702	6						2.3
0280A	2	RELT SWIV CHAIR			2010350					0786	79		3524	795005			2.3
0280A	2	RELT SWIV CHAIR			7921P4					0786	79		3524	795005			2.4
0280A	2	RELT SWIV CHAIR			2000577					0786	79		3524	795005			2.4
0290A	2	RMFL RMFL S/PSR			720008					0786	79						2.4
0290A	2	35:45 FYW								0786	79						2.4
0300A	2	RMFL RMFL/ZFLR			9417033					0786	79						2.4
0300A	2	35:45 FYW															2.4
0310A	4	WASHER			2436165					0786	79						2.4
0320A	2	SPACER			238752					0786	79		3494	795010			2.5
0330A	1	TABLE CAPTAINS			2001376					0786	85		3494	855030			2.5
0340A	4	SCR TABLE MTG			9414716					0786	85						2.5
0350A	1	LABEL ST FAC FWD			2001284					0786	85		3494	855035			2.5
0360A	1	LABEL ST FAC RB			2002026					0786	85		3494	855040			2.5
0400A	1	SEAT F/E DINETT			2028514					0786	80		1314	805065			3.2
0400A	1	SEAT F/E DINETT			2028580					0786	80		1311	805065			3.3
0400A	1	SEAT R/E DINETT			2028514					0786	80		1314	805065			3.4
0400A	1	SEAT R/E DINETT			2027544					0786	80		6037	805065			3.5
0400A	1	SEAT F/E DINETT			790303					0786	80		1311	805065			3.6
0400A	1	SEAT R/E DINETT			2000652					0786	80		1312	805065			3.7
0400A	1	SEAT R/E DINETT			2010339					0786	80		1309	805065			3.8
0410A	1	SCREW SEAT ANC			9423753					0786	80		3487	805070			3.1
0420A	1	SEAT F/E DINETT			2028514					0786	80		1314	805075			3.1
0420A	1	SEAT F/E DINETT			2028580					0786	80		1311	805075			3.1
0420A	1	SEAT F/E DINETT			2028514					0786	80		1314	805075			3.1
0420A	1	SEAT F/E DINETT			2027544					0786	80		6037	805075			3.1
0420A	1	SEAT F/E DINETT			2010339					0786	80		1309	805075			3.1
0420A	1	SEAT F/E DINETT			790303					0786	80		1311	805075			3.1
0420A	1	SEAT F/E DINETT			2000652					0786	80		1312	805075			3.1

1 2 3 4 5	2006581	MODEL YEAR IS 78
		ORIGIN DATE 770716
		LAST CHG. DATE
		LAST CHG. CODE
	MODEL APPLICATION	70 1K1 A 3
	FURNITURE	SE V. P. C. 01P PAGE
	UPC DESCRIPTION	

PRODUCT DESCRIPTION MANUAL

ASSEMBLY INFORMATION

OM1 781 REV. 8/78



GENE TRUCK & CRACK

ITEM NO.	PART OR TOOL DESCRIPTION	ADD'L DATA	QTY	PART NUMBER	ENGINE CODES	SERIES	DOY BPN	ITEM RESTRICTION	DEPARTMENTS		CHANGE		LOGIC CODE	FUNCTION CODE	ADDITIONAL CODES	LINE NOS
									PT	2/STA	CD	AUTH				
0425AA	PANEL LINETTE		1	2010343					0784	65			3477655030			3.20
0425AB	PANEL LINETTE		1	790322					0784	65			3461655030			3.21
0425AC	PANEL LINETTE		1	2000653					0784	65			3464655030			3.22
0425AD	PANEL LINETTE		1	2027549					0784	65			6037655030			3.23
0430AA	SCREW SEAT ANG		12	9423753				-APP	0786	60			3487655080			3.24
0440AA	SEAT RP CAVO		1	2028518				APPL641-APU	0786	60			1319805085			3.27
0440AB	SEAT RP CAVO		1	2028582				APPL697-APU	0786	60			1320805085			3.28
0440AC	SEAT RP CAVO		1	2028519				APPL698-APU	0786	60			1321805085			3.29
0440AD	SEAT RP CAVO		1	2010344				APUGAPPL641	0786	60			1384805085			3.30
0440AE	SEAT RP CAVO		1	2016078				APPLAPUL697	0786	60			1390805085			3.31
0440AF	SEAT RP CAVO		1	2016087				APPLAPUL698	0786	60			1391805085			3.32
0450AA	SCR SEAT ANG		6	9423753				APP	0786	60						3.33
0460AA	BRKT WALL MTG		2	2007778				APP	0786	60			3451805090			3.34
0470AA	SCR ERRT WALL		4	167284				APP	0786	60						3.35
0480AA	FIN FINCC/BRKT		2	141227				APP	0786	60			3451805095			3.40
0490AA	LAP FJA RETAIN		4	798100				APP	0786	60			3451805100			3.42
0500AA	HDRK EXC BUNK		2	2016387				APP	0786	60			3451805105			3.44
0510AA	BELT RECP/RP		4	9419004				APP	0704	10						3.46
0520AA	RP FCOR BELT		4	2436161				APP	0704	10						3.48
0530AA	NET COISC INB		4	9422273				APP	0704	10						3.50
0540AA	COVER FLEK		2	2016388				APP	0786	76			3451765010			3.52
0550AA	SCREEN COVER		4	9422459				APP	0786	76						3.54
0560AA	TABLE LINETTE		1	2000918				641/697/698/685-APP	0758	10			6041105035			3.56
0570AA	CHANNEL TABLE		1	791914				641/697/698/685-APP	0784	65			6041655035			3.58
0580AA	SCREW CHANNEL		4	160090				-APP	0784	65						4.1
0590AA	WA LT. C-AL SCR		4	138479				-APP	0784	65						4.3
0600AA	BELT RP CAVO		2	2010359				APPL641	0784	65			3489655035			4.5
0600AB	BELT RP CAVO		2	790381				APPL697	0784	65			3490655035			4.6
0600AC	BELT RP CAVO		2	2000678				APPL698	0784	65			3493655035			4.7
0600AD	BELT RP CAVO		2	2027544				685	0784	65			6037655035			4.8

ZE06581

MODEL YEAR 1978
 ORIGIN DATE 770716
 LAST CHG. DATE
 LAST CHG. CODE

MODEL APPLICATION
 FURNITURE
 UPC DESCRIPTION

70 1K1 A 4
 BK. N. P. C. SHP PAGE

PRODUCT DESCRIPTION MANUAL

ASSEMBLY INFORMATION

OMF FORM REV. 9/78

GMC TRUCK & COACH

ITEM	PART OR TOOL DESCRIPTION	ADD'L DATA	QTY	PART NUMBER	ENGINE CODES	SERIES	DOY BRK	ITEM RESTRICTION	DEPARTMENTS		CHANGE CD	LOGIC AUTH	LOGIC CODE	FUNCTION CODE	ADDITIONAL CODES	LINE NO.	
									#1	#2/STA							
0010AA	BELT FIT FAC IN		1	2010351				641-APP	0786	80			3527805110	M	00660	4.10	
0010AB	BELT FIT FAC IN		1	792183				697-APP	0786	80			3528805110	M	00660	4.11	
0010AC	BELT FIT FAC IN		1	2000676				698-APP	0786	80			3529805110	M	00660	4.12	
0010AD	BELT FIT FAC IN		1	2027542				685	0786	80			6037805110	M	00660	4.13	
0010AE	BELT FIT FAC UTR		1	2010358				641-APP	0786	80			3527805115	M	00670	4.14	
0010AF	BELT FIT FAC UTR		1	792184				697-APP	0786	80			3528805115	M	00670	4.15	
0010AG	BELT FIT FAC UTR		1	2000677				698-APP	0786	80			3529805115	M	00670	4.16	
0010AH	BELT FIT FAC UTR		1	2027541				685	0786	80			6037805115	M	00670	4.17	
0010AA*	BOLT HEAD BOLT		3	9417033				-APP	0786	79					00710	4.20	
0010AB*	BOLT HEAD BOLT		4	9427615				APP	0786	79					00710	4.21	
0010AC*	BOLT HEAD BOLT								0786	79						00710	
0010AA	WA WHEEL BOLT		3	2436165				-APP	0786	79					00714	4.24	
0010AB	WA WHEEL BOLT		4	2436165				APP	0786	79					00714	4.25	
0010AA	SPACE ANG BOLT		3	2387521				-APP	0786	79			3487795019		00714	4.26	
0010AA	TRUCK BODY ST		2	791694					0786	76			0000765019		00850	4.28	
0010AA	WJT BUSH PIN		4	9422301				APP	0786	65					00724	4.31	
0010AA	PLUG BOLT HOLE		4	8861385				APP	0702	6					00880	4.33	
0010AA	WHEELIE PLUG		4	9981074				APP	0702	6					00685	4.34	
0710AA	TABLE ARM BR		1	2030283				ENF	0758	100			3668105009	M	00900	4.37	
0710AA	...		1	2029944				ENF	0758	100			3668105109	M	00900	4.38	
0710AA	CAP LEG END		1	2029940				ENF	0784	64			3668645135	M	00904	4.41	
0710AA	SCREEN CAP		1	161503				ENF	0784	64					00906	4.43	
0010AA	PIN LAMP LH TR		1	2010334				641	0786	80			3477805120	M	00520	4.45	
0010AB	PIN LAMP LH TR		1	792154				697	0786	80			3461805120	M	00520	4.46	
0010AC	PIN LAMP LH TR		1	2000657				698	0786	80			3484805120	M	00520	4.47	
0010AD	PIN LAMP LH TR		1	2027550				685	0786	80			6037805120	M	00520	4.48	
0010AA	PIN LAMP RH TR		1	2010335				641	0786	80			3477805125	M	00525	4.50	
0010AB	PIN LAMP RH TR		1	792153				697	0786	80			3461805125	M	00525	4.51	
0010AC	PIN LAMP RH TR		1	2000658				698	0786	80			3484805125	M	00525	4.52	
0010AD	PIN LAMP RH TR		1	2027551				685	0786	80			6037805125	M	00525	4.53	
0010AA	PIN LAMP LH TR		1	2010333				641	0786	80			3477805130	M	00530	4.55	
0010AB	PIN LAMP LH TR		1	792152				697	0786	80			3461805130	M	00530	4.56	
0010AC	PIN LAMP LH TR		1	2000656				698	0786	80			3484805130	M	00530	4.57	
0010AD	PIN LAMP LH TR		1	2027552				685	0786	80			6037805130	M	00530	4.58	
0010AA	TRUCK BODY	16 IN	4	0861190					0786	84					00825	5.1	

2E04581

MODEL YEAR 1978
 ORIGIN DATE 770716
 LAST CHG. DATE 770927
 LAST CHG. CODE LRR

MODEL APPLICATION
 FURNITURE
 UPC DESCRIPTION

70 IK1 A 5
 BK V. P. C. OMF PAGE

PRODUCT DESCRIPTION MANUAL

ASSEMBLY INFORMATION

DMT 1061 REV. 8/78

GENE TRUCK & CRACK

ITEM	PART OR TOOL DESCRIPTION	ADD'L DATA	QTY	PART NUMBER	ENGINE CODES	SERIES	REV	ITEM RESTRICTION	DEPARTMENTS		CHANGE		LOGIC CODE	FUNCTION CODE	ADDITIONAL CODES	FNA	LINE NOS
									81	2/STA	CD	AUTH					
0R30	NL PR ST TP			2010332					0786	80			3477	805133			5.3
0R30A	PNL RR ST TP			790307					0786	80			3461	805133			5.4
0R30A	PNL RP ST TP			2000655					0786	80			3484	805133			5.5
0R30A	PNL RR ST TP			2027553					0786	80			6037	805133			5.6
0R40A	TAPE VELCRO			886142					0786	84							5.8
0R50A	STAPLE TAPE/YNK			663269					0786	84							5.1
0R60A	CUSHION RR TR			2010336				641	0786	80			3477	805140			5.1
0R60A	CUSHION RR TR			792151				697	0786	80			3461	805140			5.1
0R60A	CUSHION RR TR			2000655				698	0786	80			3484	805140			5.1
0R60A	CUSHION RR TP			2027554				685	0786	80			6037	805140			5.1
0R70A	SEAT ST FAC SEY			2027554				641-APU	0786	80			1302	805145			5.1
0R70A	SEAT ST FAC SEY			2028523				697-APU	0786	80			1303	805145			5.1
0R70A	SEAT ST FAC SEY			2028522				698-APU	0786	80			1306	805145			5.1
0R70A	SEAT ST FAC SEY			2027547				685	0786	80			6037	805145			5.2
0R70A	SEAT ST FAC SEY			2010341				APU6641	0786	80			1309	805145			5.2
0R70A	SEAT ST FAC SEY			790306				APU6697	0786	80			1311	805145			5.2
0R70A	SEAT ST FAC SEY			2000654				APU6698	0786	80			1312	805145			5.2
0R80A	ANCHOR SEAT RR			791984					0786	80			0000	805150			5.2
0R90A	SCREW ANCHOR			9416837					0786	80							5.2
0R90A	ANCHOR SEAT FRV			791988					0786	80			0000	805155			5.2
0R90A	RIVET ANCHOR			790360					0786	80							5.3
0R90A	SCREW ANCHOR			9414724					0786	80							5.3
0R90A	SCREW ANCHOR			156495					0786	80							5.3
0R90A	SCREW ANCHOR			160736					0786	80							5.3
0R90A	WA ANCHOR FC			138485					0786	80							5.3
0R90A	U UNIT			1494253					0786	80							5.4
1000A	TABLE RR DINING			2001350				ENK	0750	10			3452	105010			5.4
1000A	LEG TABLE			796795				ENK	0750	10			3452	105015			5.4
1020A	CAP LEG END			715470				ENK	0786	78			3452	785015			5.4
1030A	SCRAUX FLW			161503				ENK	0786	78							5.4

	7F06441	
MODEL APPLICATION FURNITURE UPC DESCRIPTION	MODEL YEAR: 78 ORIGIN DATE: 770716 LAST CHG DATE: LAST CHG CODE: 70 141 A -6 ON U P C OR PAGE	



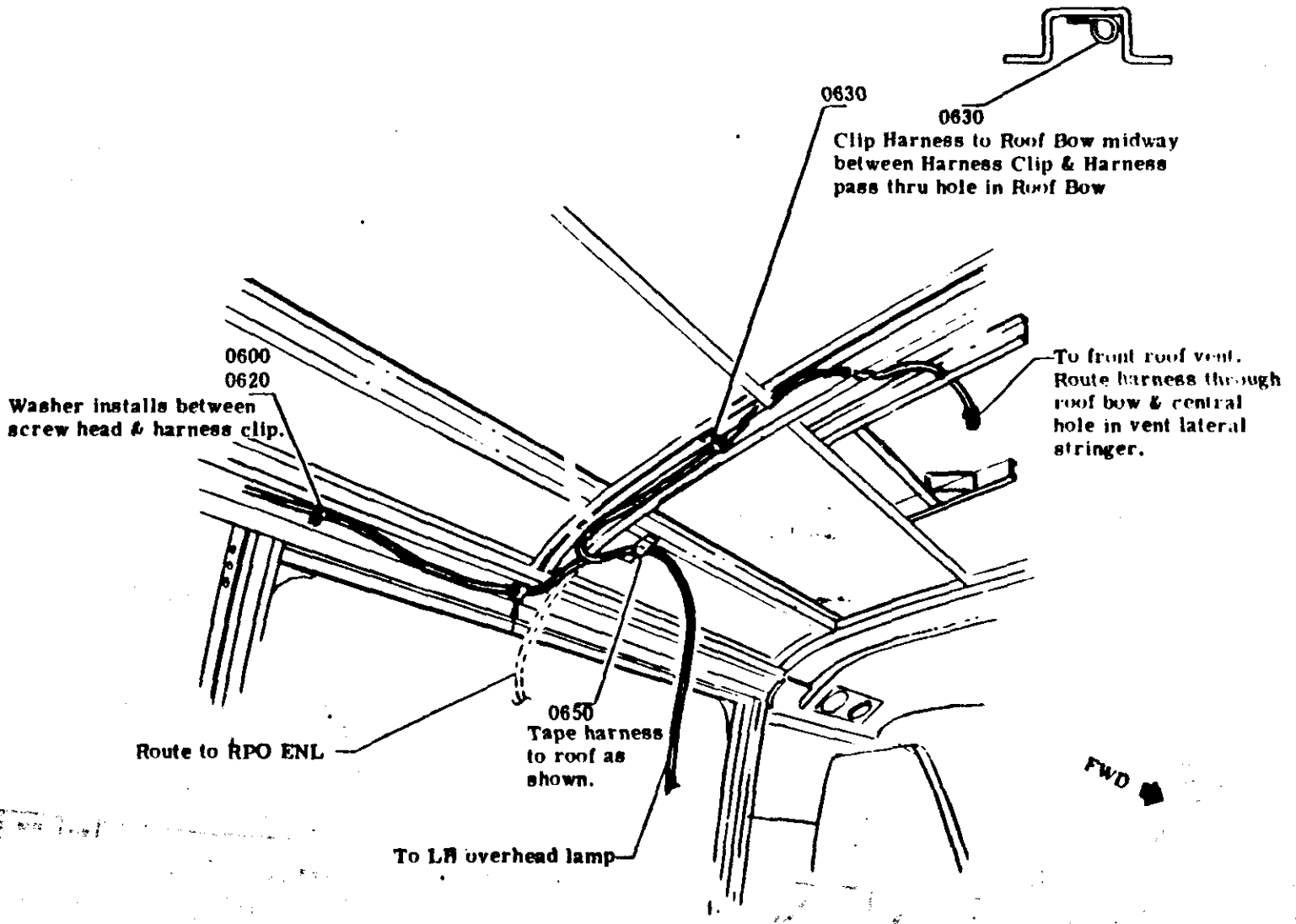
□ ITEM REFERENCE

◇ PROCESS MATERIAL

△ TORQUE

▣ PART OF OR EXISTING

GMT 9-2 1-79



DATE	SYN	REVISION	BY	CHK	DEPARTMENT	TITLE
3/77		ORIGINAL RELEASE	7200	5/67	Tool Dept	78 TRUCK BOOK 70
						HARNASS ASM ALL HA FRONT UPPER V
						ZC06581
						ELECT. CONV. ITEMS
						3K3
						3K7



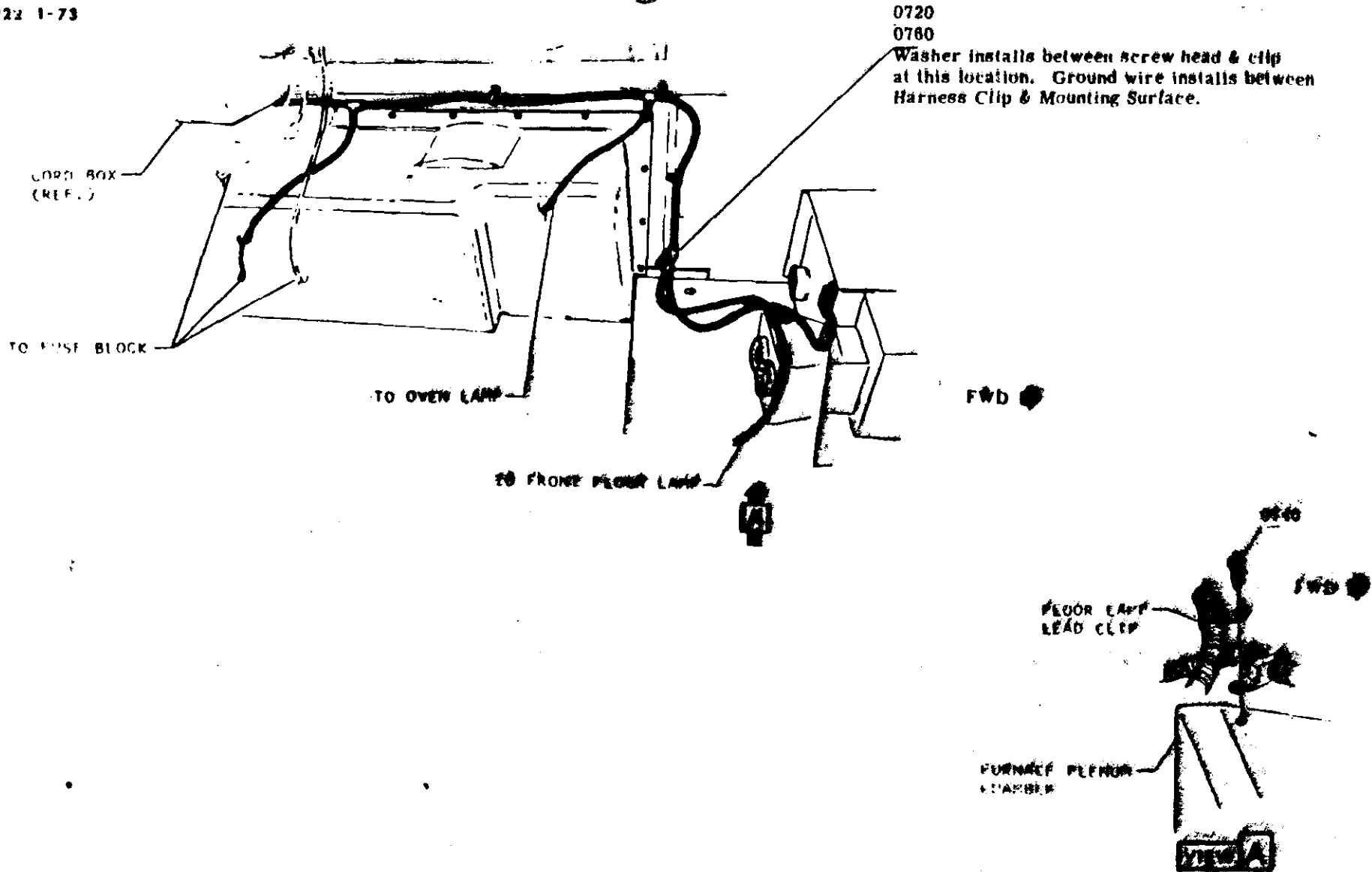
□ ITEM REFERENCE

◇ PROCESS MATERIAL

△ TORQUE

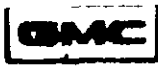
▣ PART OF OR EXISTING

GMT 922 1-73



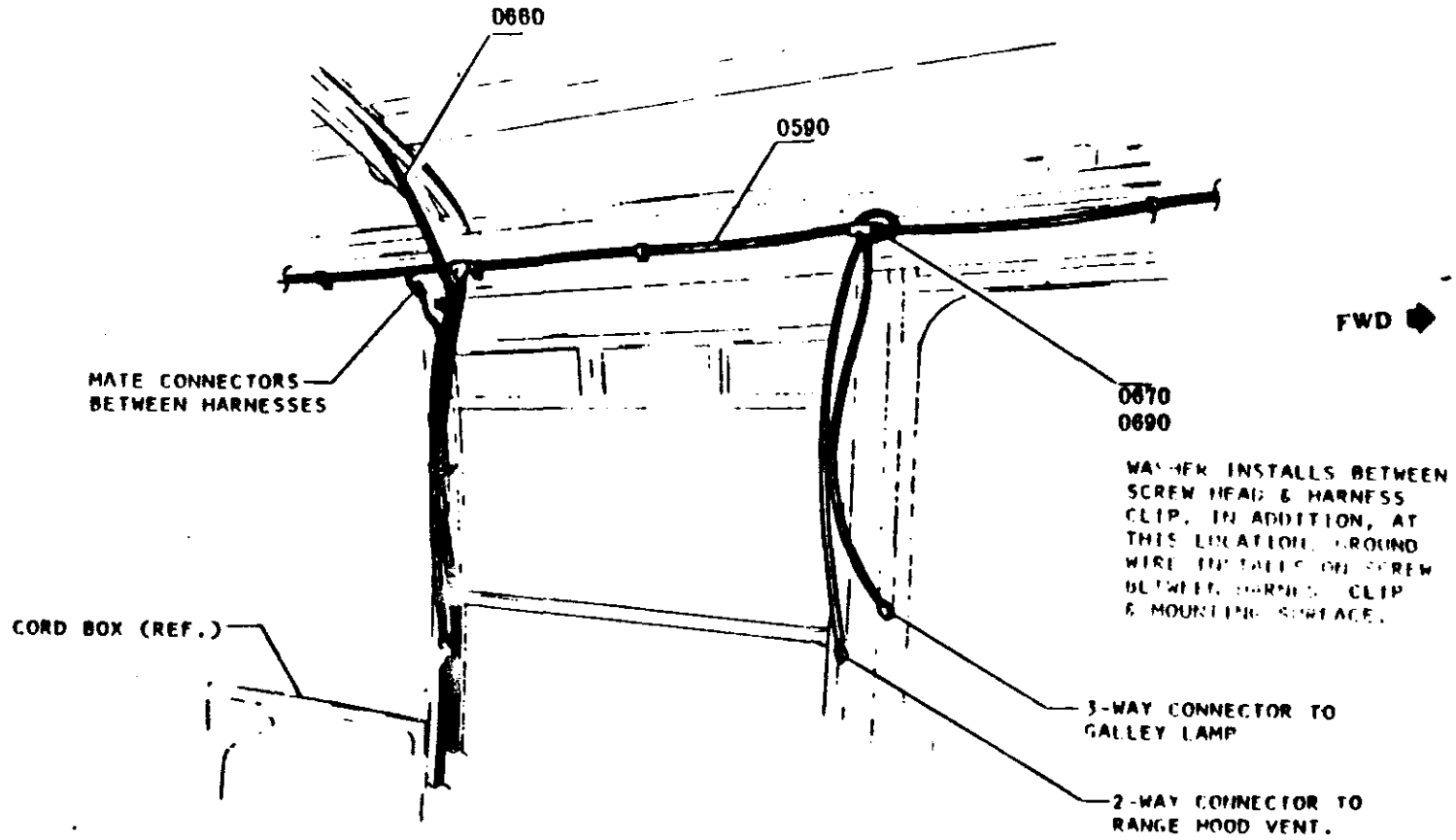
DATE	BY	CHK	DEPT	REVISION	REASON	DATE	BY	CHK	DEPT	REVISION	REASON
				ORIGINAL	REVISION						

TRUCK	DOOR
78	70
HARNES ASM. E.A. FRONT LOWER I/V	
ZE06581	
E.E.C. CONV. ITEMS	113
	2



ITEM REFERENCE PROCESS MATERIAL TORQUE PART OF OR EXISTING

GMT 922 1-73



DATE	SYN	REVISION	AUTH	DR	EX	DEPARTMENTS	TITLE	BOOK
6/21/77		ORIGINAL RELEASE	Y2000	SE		THE MFG CO	70 TRUCK HARNES ASM. L.H. CENTER UPPER 12V ZE06581	70
							NAME ELEC. CONV. ITEMS	
							DIVISION 1K3	
							SHEET 3	



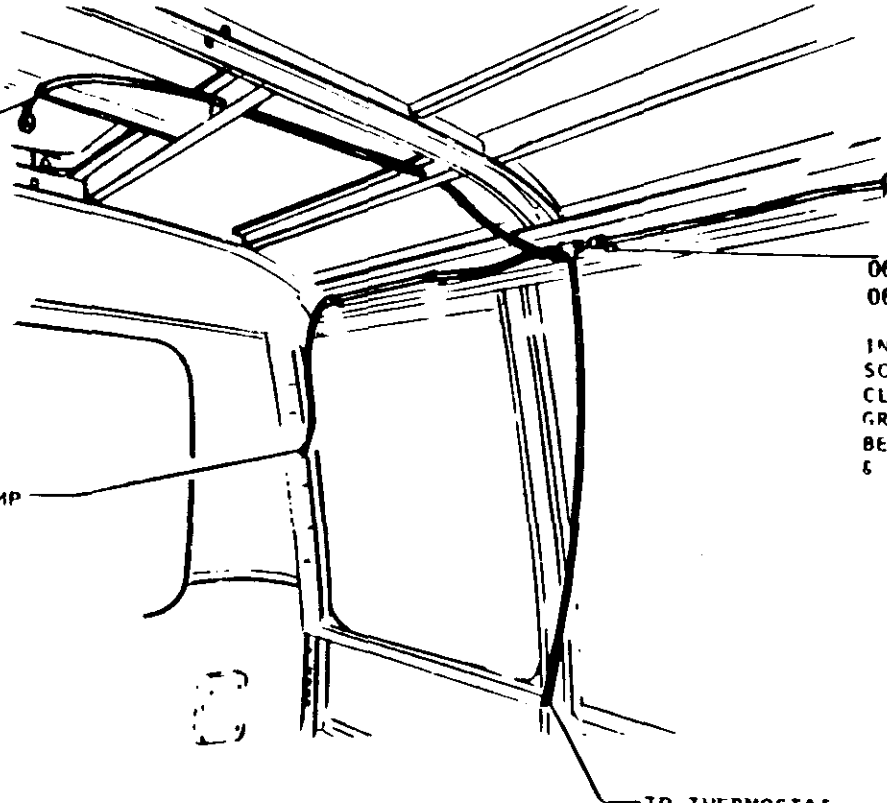


GMT 922 1-73

INSTALL ROOF VENT
FAN LEAD THROUGH
HOLES IN LONGITUDINAL
STRINGERS & VENT
LATERAL STRINGERS

TO REAR READING LAMP

FWD



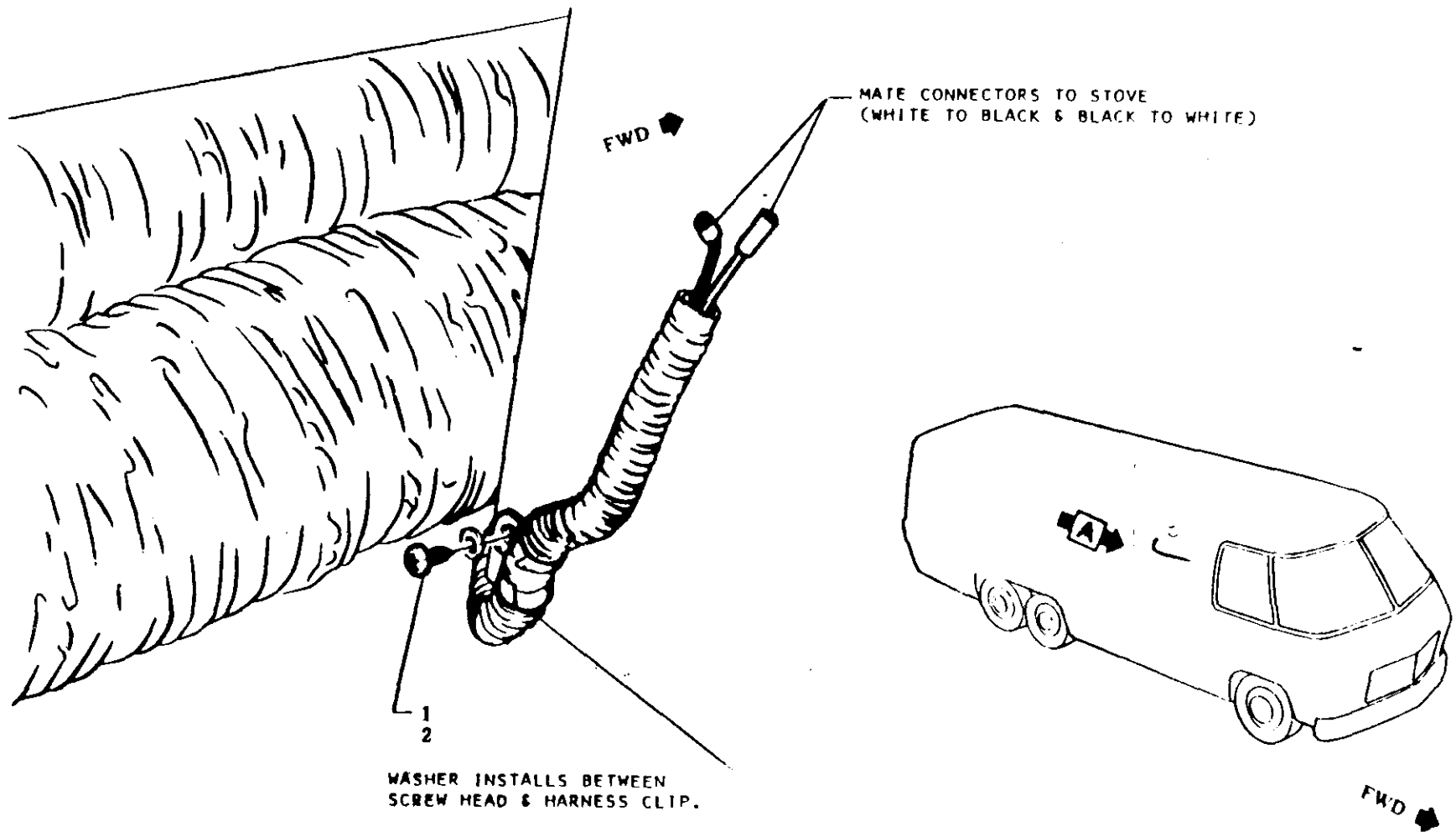
0600
0620

INSTALL WASHER BETWEEN
SCREW HEAD & HARNESS
CLIP. AT THIS LOCATION,
GROUND WIRE INSTALLS
BETWEEN HARNESS CLIP
& MOUNTING SURFACE.

TO THERMOSTAT
See Sht. 9

DRAWN (Installation) - LOS	NAME (Inspection) - LOS	DATE	SYM	REVISION	APPN	BY	CR	DEPARTMENTS	TITLE	DIVISION	SHEET
		8/27/77		ORIGINAL RELEASE	47000	ST	AC	WINDTUN	'78 TRUCK		BOOK 70
									HARNES ASM. -L.H. REAR UPPER-12V		
									ZE06581		
									ELEC. CONV. ITEMS	1K3	5

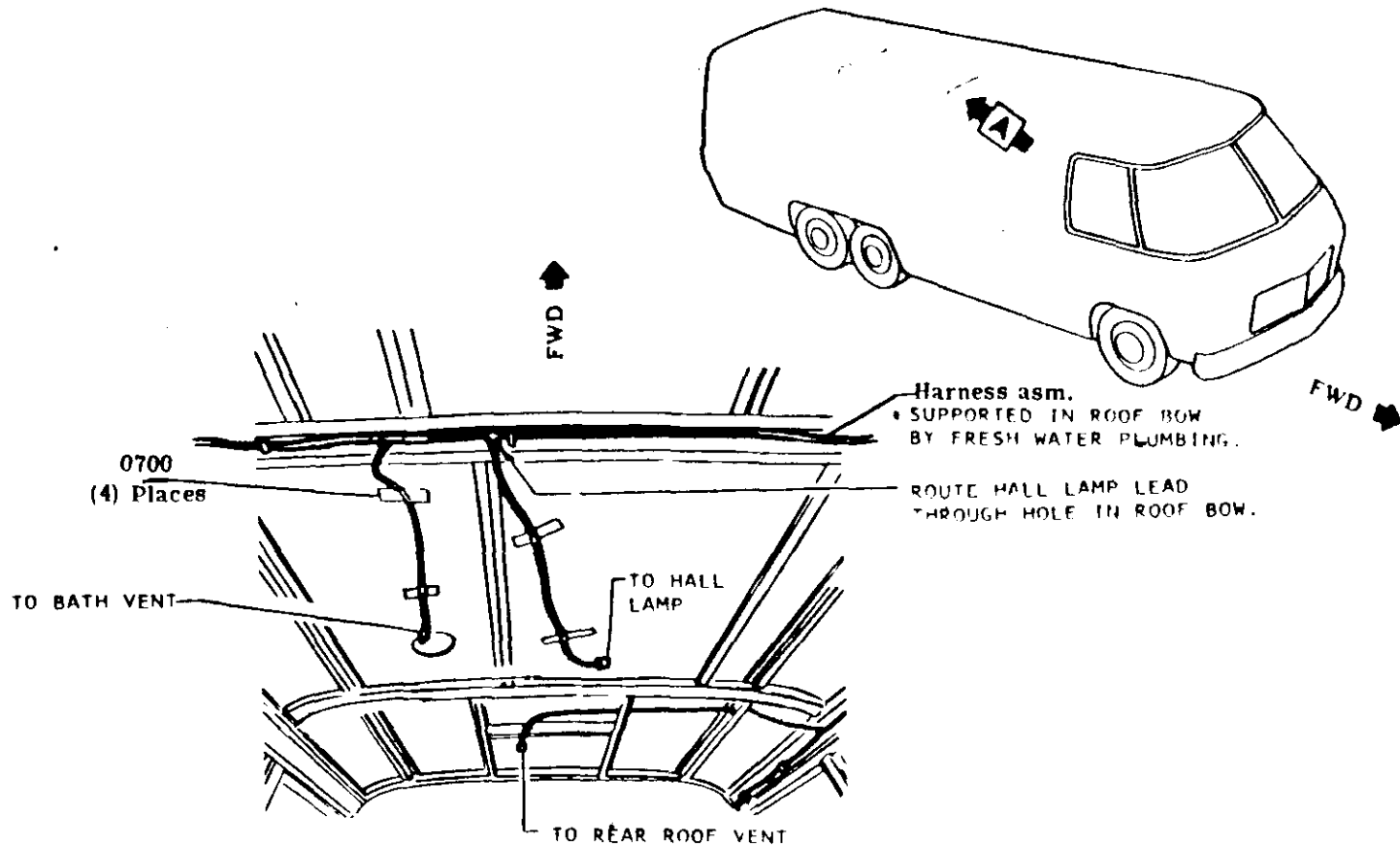
GMT 922 1-73



VIEW A

DYNAMIC (Installation) - LBS	HAZARD (Inspection) - LBS	DATE	SYM	REVISION	AUTH	DR	CR	DEPARTMENTS	TITLE	BOOK	
▲		6-4-77		ORIGINAL RELEASE	47000	STP		THOMAS	'78 TRUCK	BOOK 70	
▲									HARNESS ASM. - STOVE - 12V		
▲									ZEO6581		
▲									NAME ELEC. CONV. ITEMS	DIVISION 1K3	SHEET 10

GMT 922 1-73



VIEW A

DYNAMIC (Installation) - LBS	HAND (Inspection) - LBS	DATE	SYM	REVISION	AUTH	DR	CK	DEPARTMENTS	TRUCK	BOOK
▲		6-11-77		ORIGINAL RELEASE	V. DUNN	S. H. H.		Electrical	78	70
▲										
▲										
▲										
▲										

TITLE		NAME	DIVISION	SHEET
HARNES ASM. - ROOF CENTER - 12V ZE06581		ELEC. CONV. ITEMS	K3	12



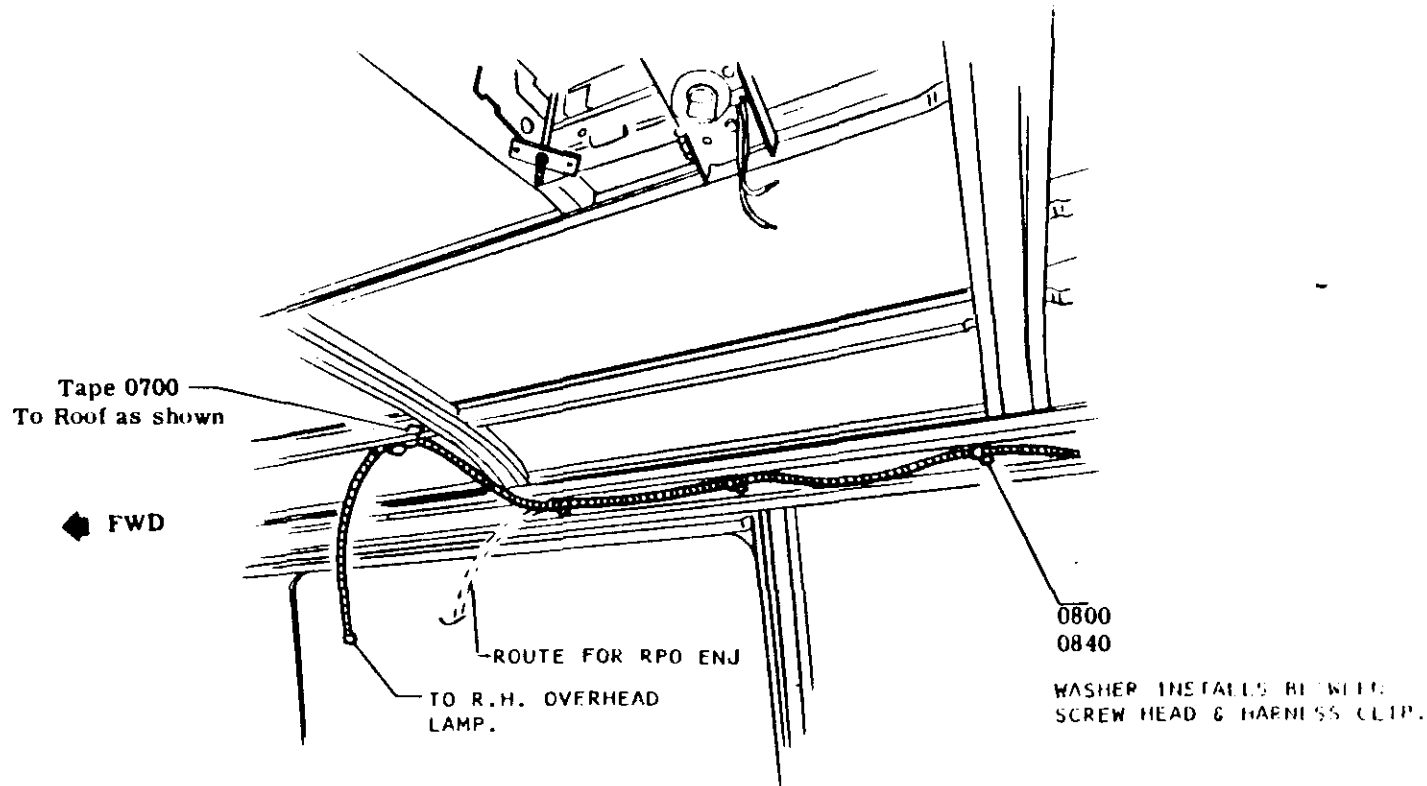
ITEM REFERENCE

PROCESS MATERIAL

TORQUE

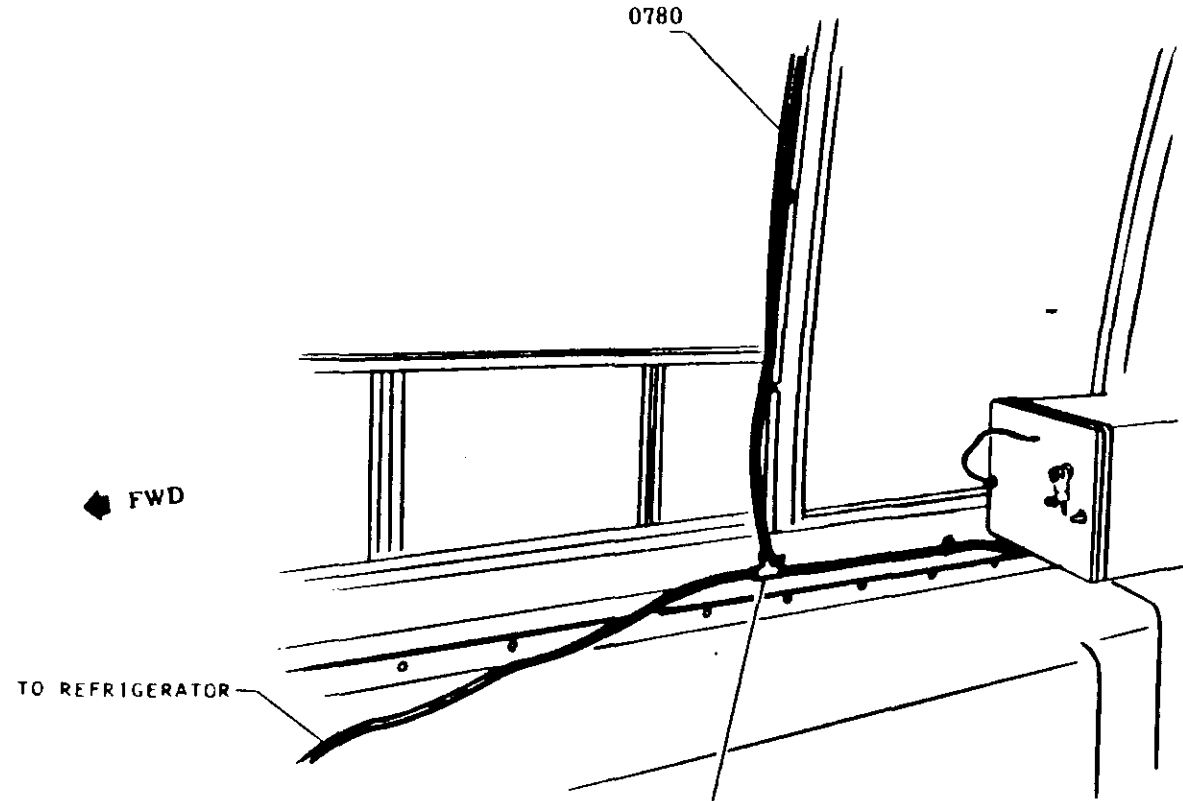
PART OF OR EXISTING

GMT 922 1-73



DYNAMIC (Installation) - LBS	MANU (Inspection) - LBS	DATE	SYM	REVISION	AUTH	DR	CR	DEPARTMENTS	TITLE
		11 77		ORIGINAL RELEASE	4700	STP		Transmission	'78 TRUCK BOOK 70
									HARNESS ASM. - R. H. FRONT UPPER ZE06581
									NAME ELEC. CONV. ITEMS
									DIVISION 1K3 SHEET 13

GMT 922 1-73

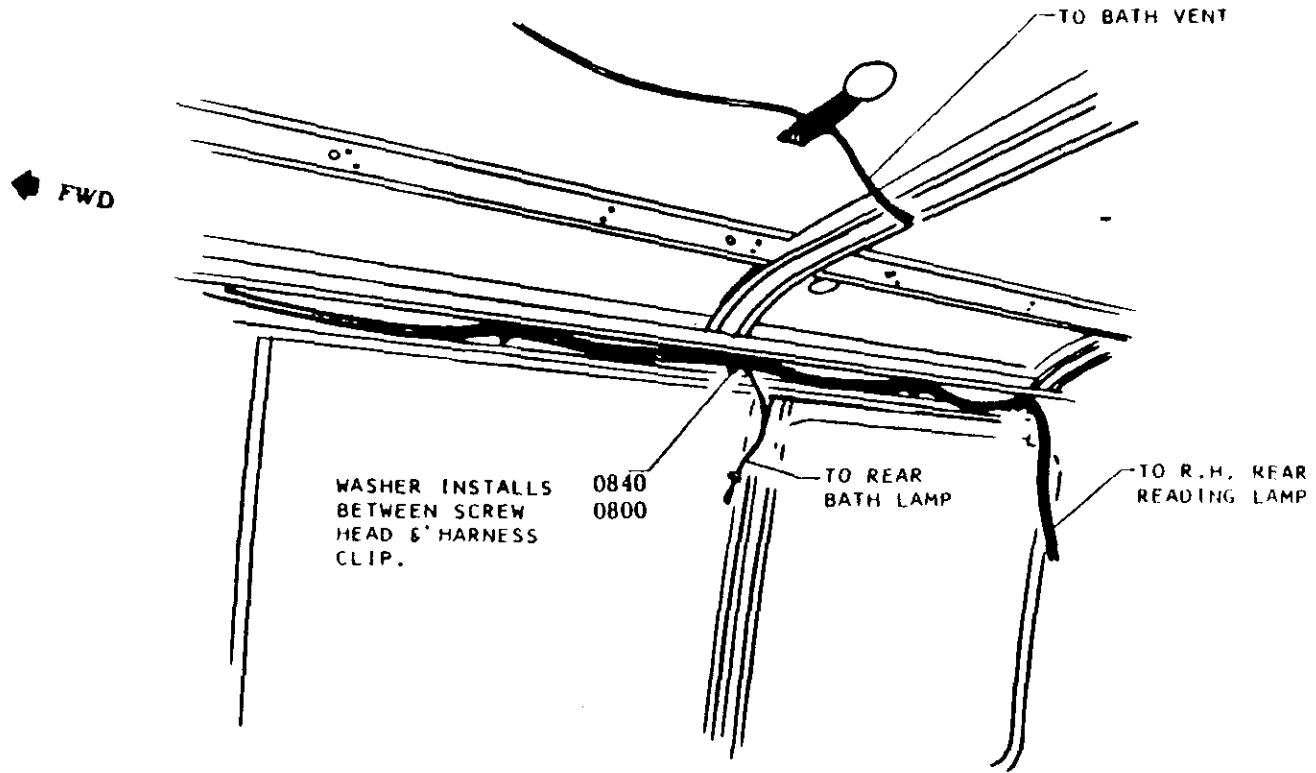


0800 WASHER INSTALLS BETWEEN SCREW HEAD
 0840 & HARNESS CLIP IN ADDITION AT THIS
 LOCATION, GROUND WIRE INSTALLS ON
 SCREW BETWEEN HARNESS CLIP AND
 MOUNTING SURFACE.

DT/AMC (Installation) - LBS	PM/MD (Inspection) - LBS	DATE	SYM	REVISION	AUTH	DR	CK	DEPARTMENTS	TITLE	BOOK
		6.2.77		ORIGINAL RELEASE	47000	STK		TRUCK DIVISION	78 TRUCK	BOOK 70
									HARNESS ASM.-RH CENTER - 12V	
									Z E06581	
									ELEC. CONV. ITEMS DIVISION: 1K3 SHEET: 15	

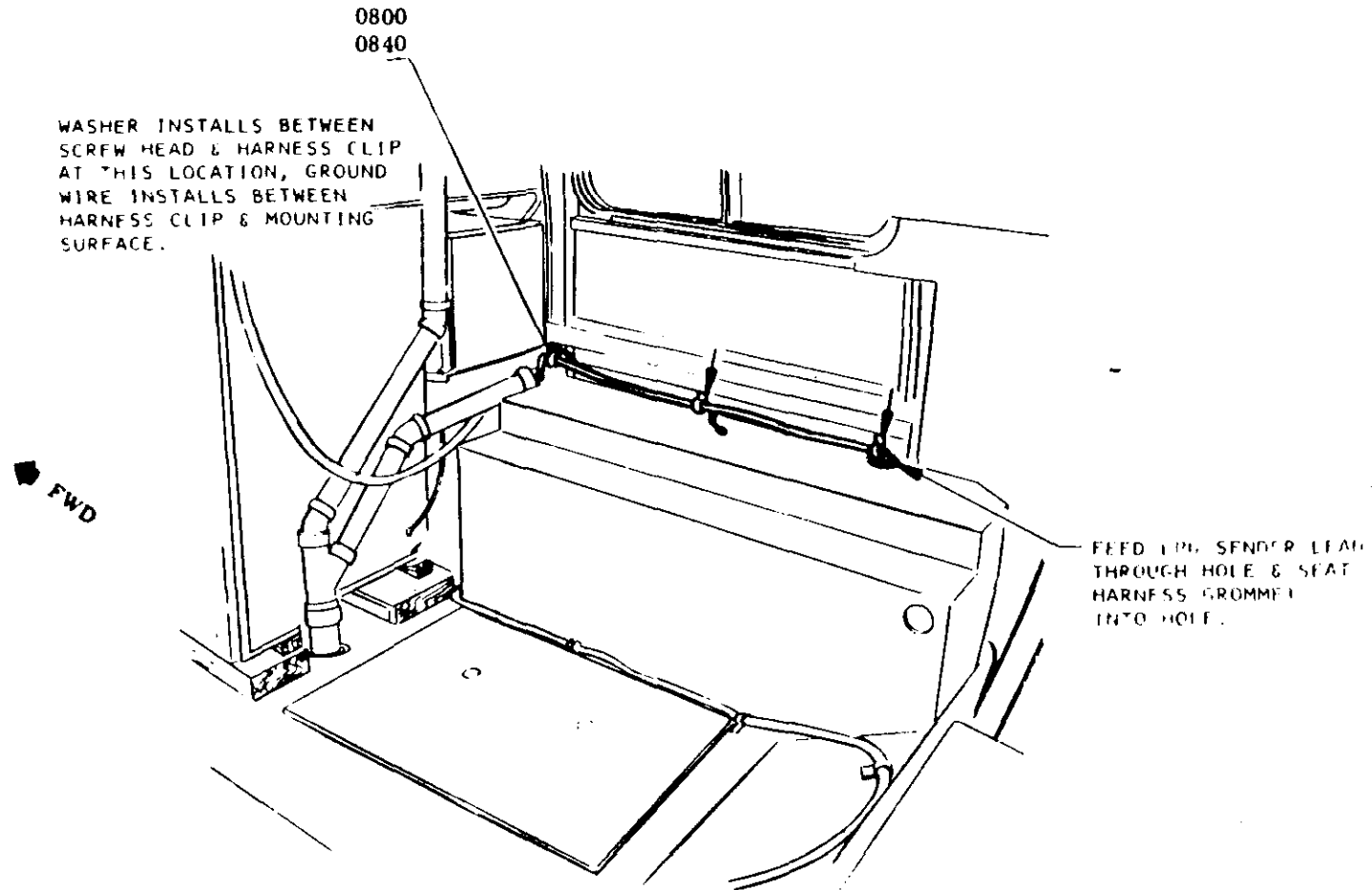


GMT 922 1-73



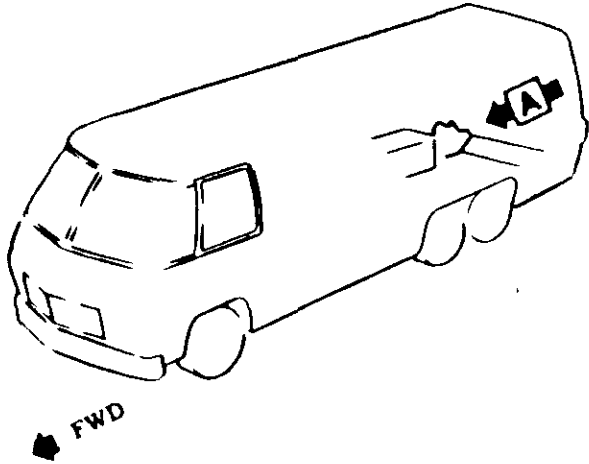
DYNAMIC (Inspection) - LBS	STATIC (Inspection) - LBS	DATE	SYM	REVISION	AUTH	CHK	CR	DEPARTMENTS	TITLE	BOOK	
		6/2/77		ORIGINAL RELEASE	W. Z. ...			THOMPSON	70 TRUCK	BOOK 70	
									HARNESS ASM. - R.H. REAR UPPER - 12V		
									ZE06581		
									NAME ELEC. CONV. ITEMS	DIVISION	SHEET
										1K3	16

GMT 922 1-73



DYNAMIC Installation - LBS	HAND (Inspection) - LBS	DATE	SYM	REVISION	AUTH	OR	EN	DEPARTMENTS	78 TRUCK	BOOK 70	
▲ ▲ ▲ ▲ ▲ ▲		6/21/73		ORIGINAL RELEASE	47000	JHR		THOMSON			
									TITLE HARNESS ASM.-R.H. REAR LOWER-12V ZE06581		
									NAME ELEC. CONV. ITEMS	DIVISION 1K3	SHEET 17

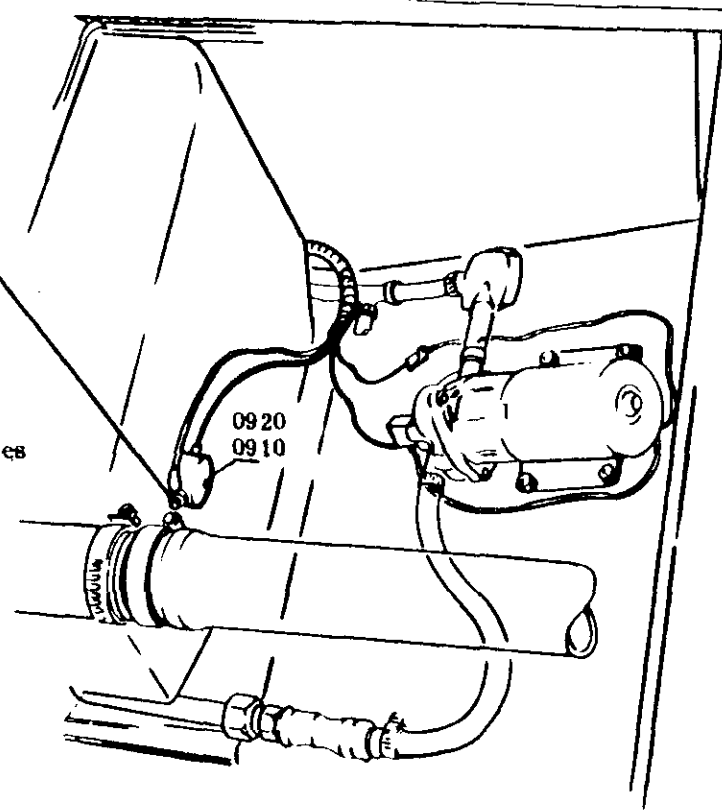
GMT 922 1/75



◀ FWD

0940
0930
0870
0850

Install Gasket on Tank Insert. Install Sender in position shown. Ground Wire (Black) attaches to Insert Stud with one of the attaching Nuts. Install Sender Lead to #10 Stud on Sender.

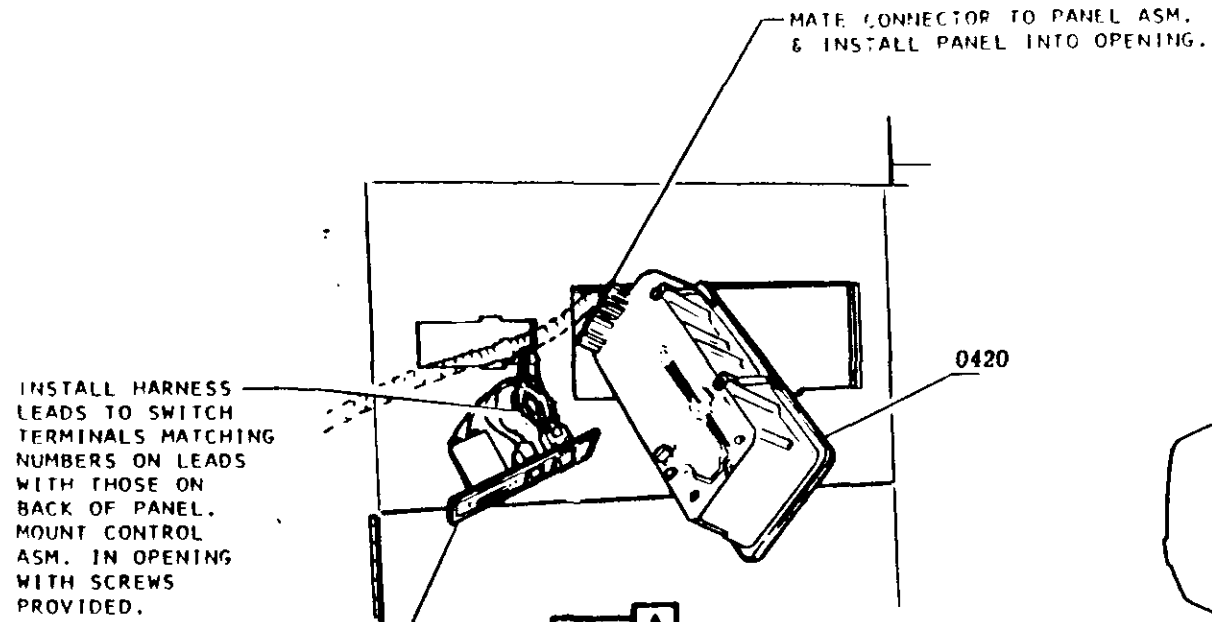


VIEW A

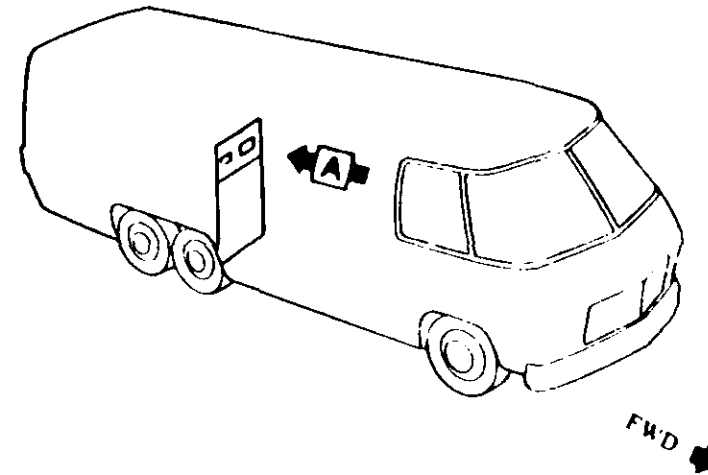
CYCLE (Installation) - LBS	HAND (Inspection) - LBS	DATE	SYM	REVISION	AUTH	DR	CK	DEPARTMENTS	TITLE
△		2/27/77		ORIGINAL RELEASE	4200	SP			#78 TRUCK
△									BOOK 70
△									HARNESS ASM. - WATER TANK
△									SENDER - 12V ZEO6581
△									NAME ELEC. CONV. ITEMS
△									DIVISION/UPC
									1K3
									SHEET 19



GMT 922 1-73

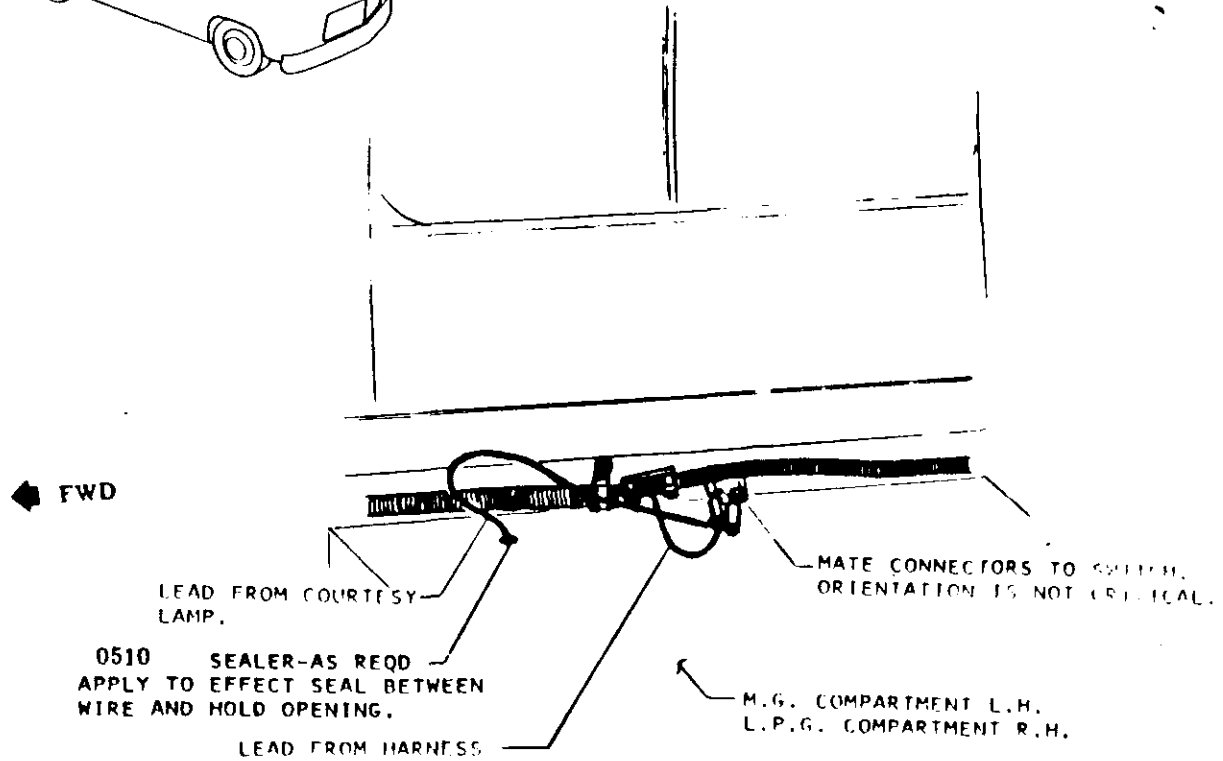
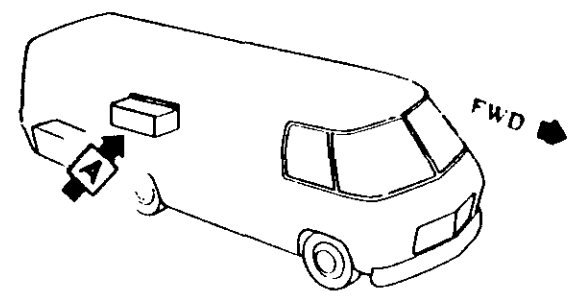


1440 **NOTE** Deluxe remote control asm. screw. (4) req'd. (Supplied) by vendor. (For RPO KNB/KNC)



DYNAMIC (Installation) - LBS	HAND (Inspection) - LBS	DATE	SYM	REVISION	AUTN	DR	CR	DEPARTMENTS	TITLE
▲		6/1/77		ORIGINAL RELEASE	4200	5100		HAMPSON	'78 TRUCK
▲									BOOK 70
▲									HARNESS ASM.-MONITOR PANEL-12V
▲									ZEO6581
▲									NAME ELEC. CONV. ITEMS
▲									DIVISION K3
▲									SHEET 21

GMT 922 1-73



VIEW A

DYNAMIC (Installation)-LBS	WIND (Inspection)-LBS	DATE	SYM	REVISION	AUTH	DR	CR	DEPARTMENTS	TITLE	DIVISION	SHEET
		6/2/77		ORIGINAL RELEASE	H7000	ST	PK	THOMPSON	'78 TRUCK		BOOK 70
									HARNESS ASM. - COURTESY LAMP SWITCH		
									12V - ZE06581		
									EL.EC. CONV. ITEMS	1K3	24



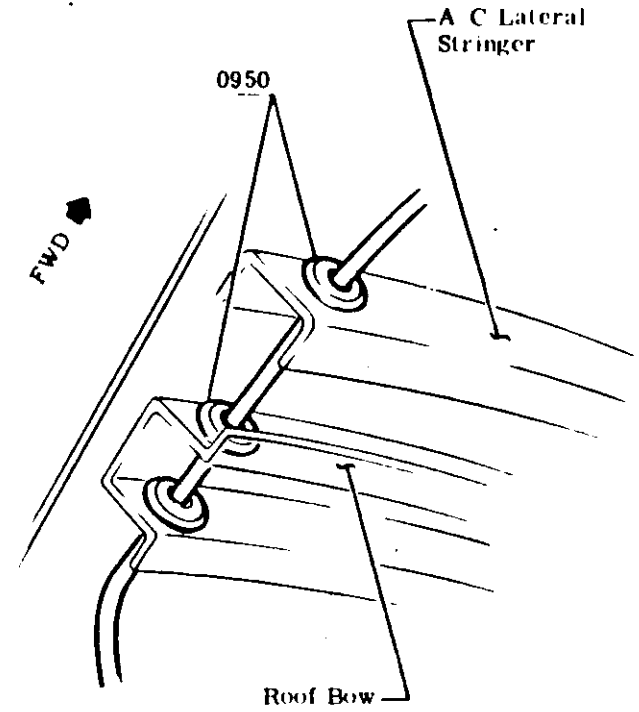
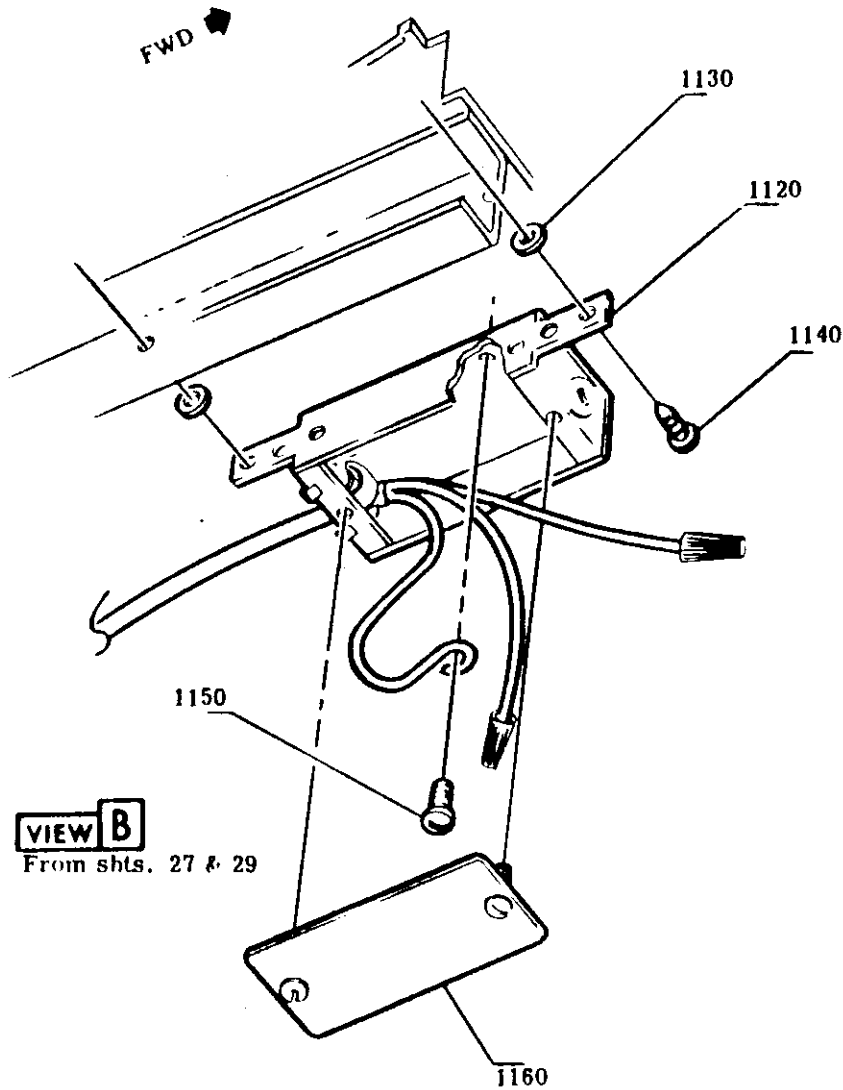
□ ITEM REFERENCE

◇ PROCESS MATERIAL

△ TORQUE

▣ PART OF OR EXISTING

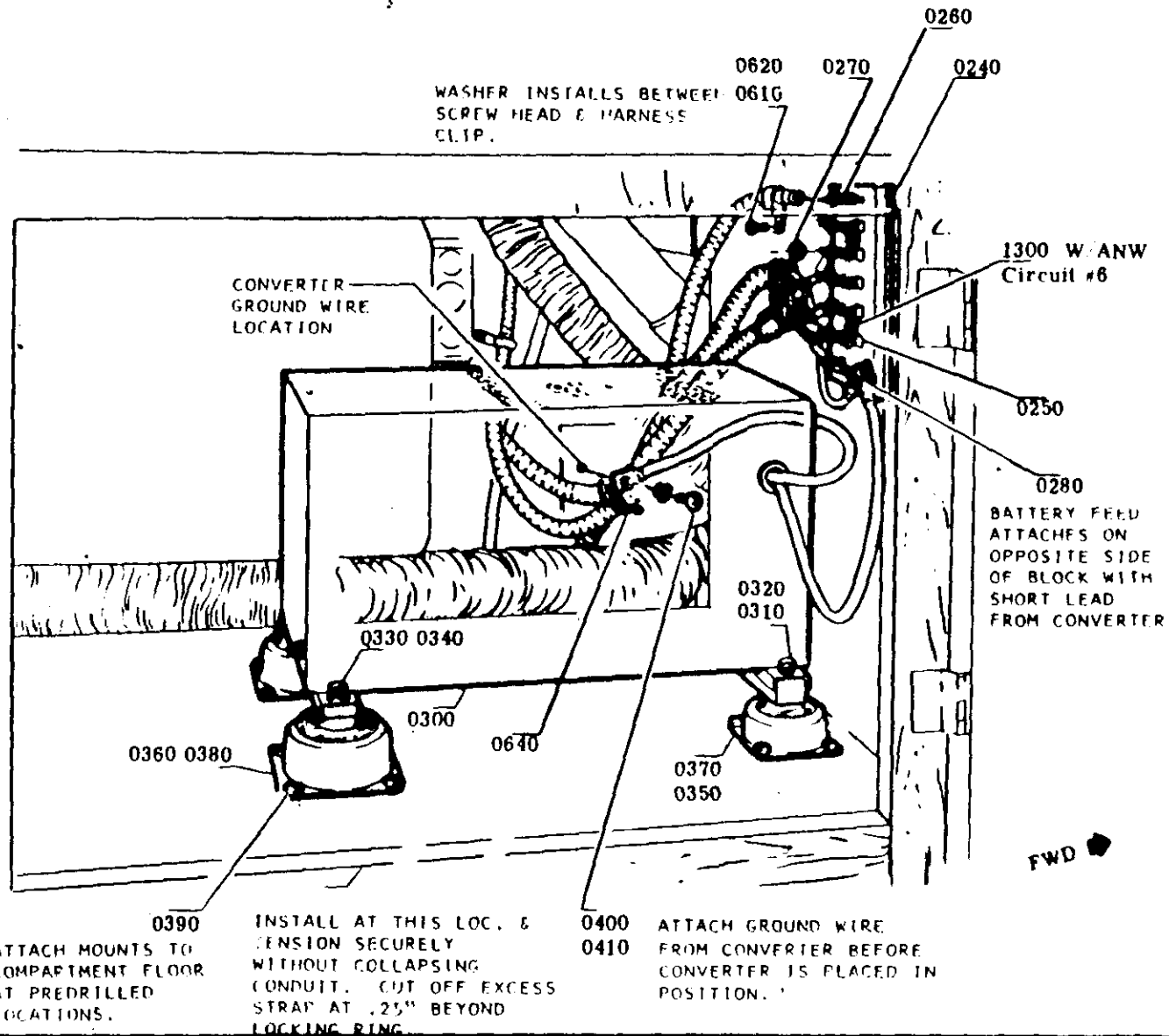
GMT 922 1/75



DYNAMIC (Installation) - LPS	NAWD (Inspection) - LPS	DATE	SYM	REVISION	AUTH	DR	CR	DEPARTMENTS
△		6-7-77		ORIGINAL RELEASE	4200	JCP		Unibred
△								
△								
△								
△								

78 TRUCK		BOOK 70	
TITLE HARNES ASM. - A C (PRE-WIRE) ZE06581			
NAME	ELEC. CONV. ITEMS	DIVISION/UPC 1K3	SHEET 28

GM. 1-73



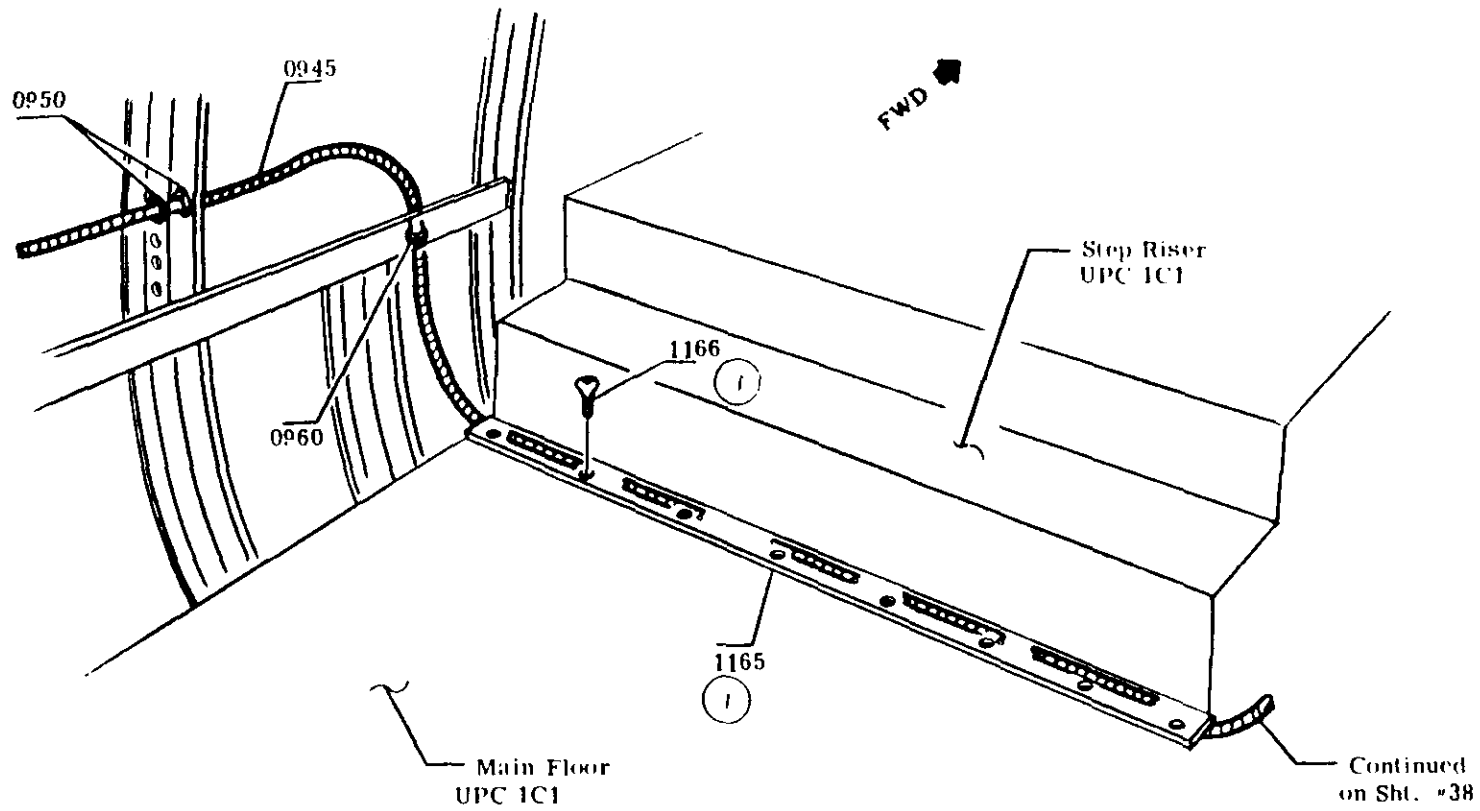
FWD

DYNAMIC (Installation) - LBS	HAND (Inspection) - LBS	DATE	SYM	REVISION	AUTH	DR	CR	DEPARTMENTS	TITLE	BOOK
		6-21-77		ORIGINAL RELEASE	V. 2000	DR		TAMMSON	'78 TRUCK CONVERTER ASM. ZE06581	70
									NAME: ELEC. CONV. ITEMS	SHEET: 36

- ▲
- ▲
- ▲
- ▲

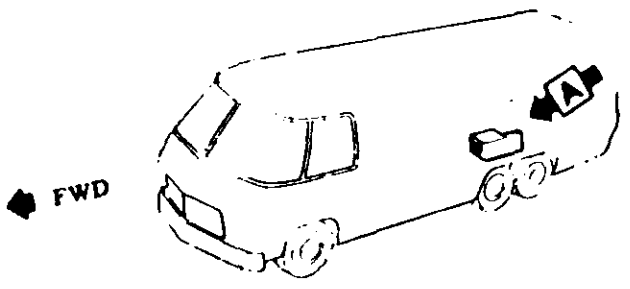


GM 222 1-75

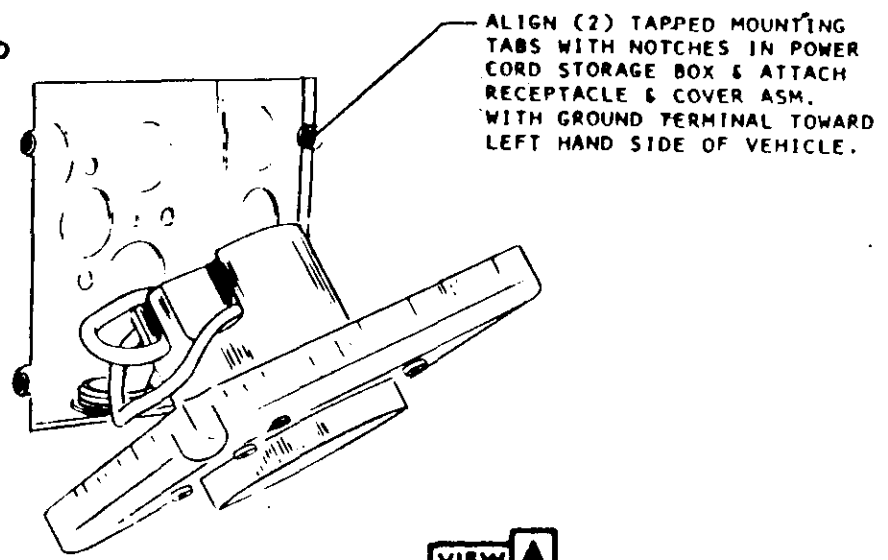


DYNAMIC (Installation) - LBS	MAINT (Inspection) - LBS	DATE	SYM	REVISION	AUTH	DR	IN	DEPARTMENTS	78 TRUCK	BOOK 70
△		6-21-77		ORIGINAL DELIVER	H7000			TRAINING	TITLE	
△		6-24-77	1	ITEM NO. 1165 - 1166 HDLRC	60736			GA. 7511	HARNES ASM. - LH Front - 110V	
△									NAME	ELEC. DIVISION/UPC
△									CONV.	1K3
△									ITEMS	SHEET 37

GMT 9-73



FWD

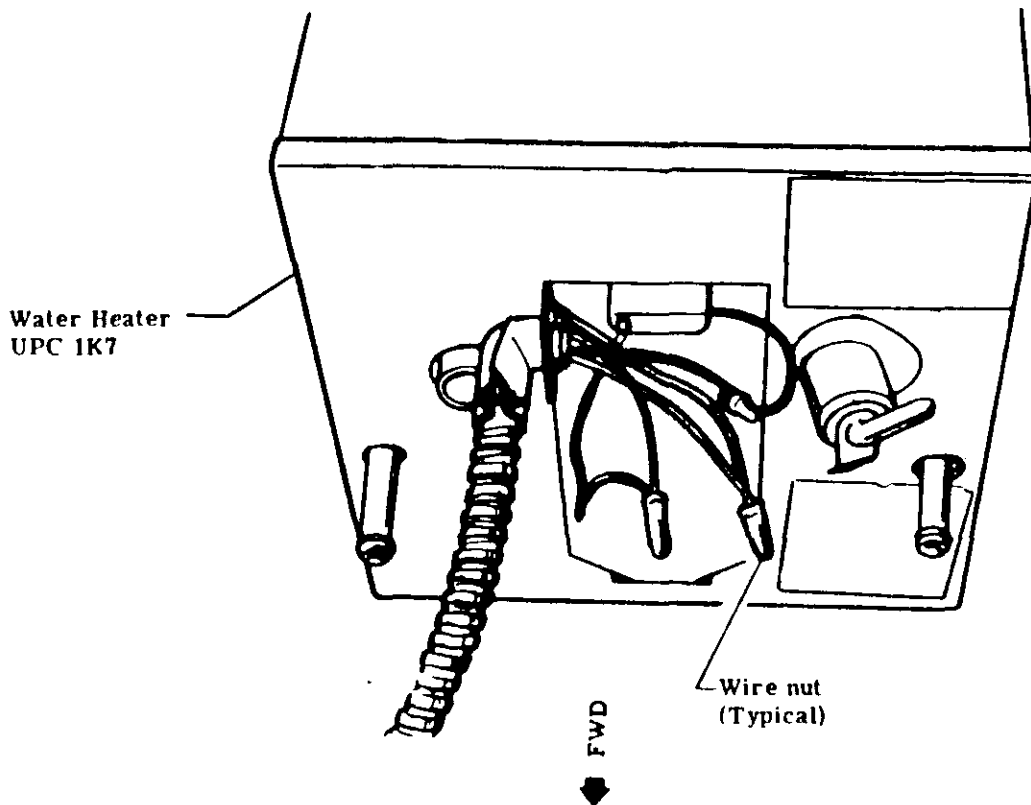


VIEW A

DYNAMIC (Installation) - LBS	HAND (Inspection) - LBS	DATE	SYM	REVISION	AUTH	DN	CR	DEPARTMENTS	TITLE
		6-4-77		ORIGINAL RELEASE	Y. W. STUBBS			THOMPSON	78 TRUCK BOOK 70
									RECEPTACLE - POWER CORD STORAGE BOX - 110 V ZEB581
									NAME ELEC. CONV. ITEMS
									DIVISION 103 SHEET 44

- △
- △
- △
- △
- △

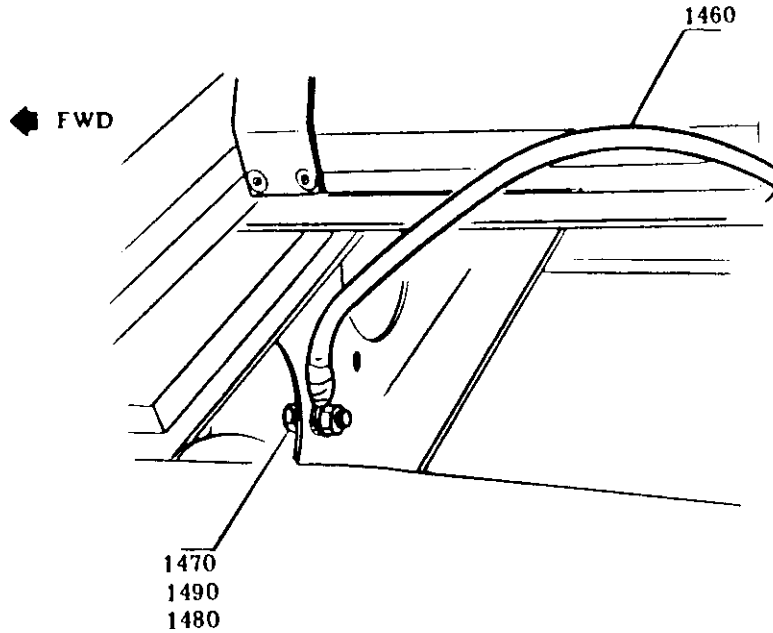
GMT 922 1-73



Remove cover from enclosure. Temporarily remove wire nuts from harness. Feed wire from main harness through elbow. Install metal sheath into elbow 1" and tighten clamp. Twist mating wire ends together (Black to Black, White to White, Green to Green). Reinstall wire nuts & tighten securely to wire. Install cover such that wire is enclosed.

NAME (Installation) - LBS	NAME (Inspection) - LBS	DATE	SYM	REVISION	AUTH	DR	CK	DEPARTMENTS	TRUCK	BOOK
▲		6-21-77		ORIGINAL RELEASE	4200			Thompson	78	70
▲										
▲										
▲										
▲										
▲										
▲										
TITLE									WIRING INSTRUCTIONS - WATER HEATER 110 V ZE06581	
NAME ELEC. CONV. ITEMS									DIVISION	SHEET
									NO	55

GMT 922 1/75



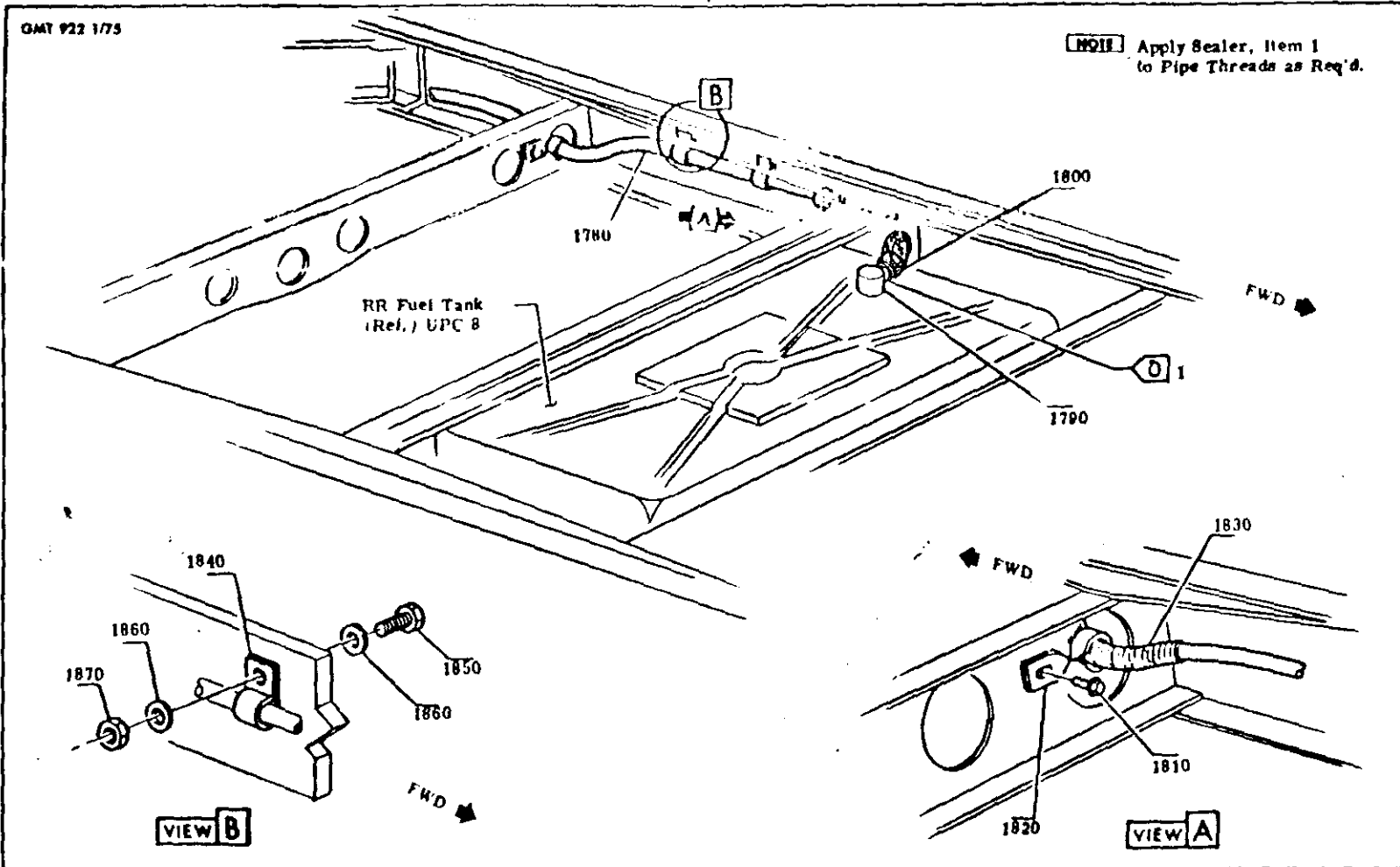
[NOTE] (1) Washer Installs Between Bolt Head & Crossmember.
(1) Washer Installs Between Cable Terminal & Nut.

DYNAMIC (Installation) - LBS	MANUAL (Inspection) - LBS	DATE	SYM	REVISION	AUTH	DR	EV	DEPARTMENTS	78 TRUCK BOOK 70	
		6.21.77		ORIGINAL RELEASE	9/2000	ST/MS		TRUCK	TITLE WIRING - M.G. SET - 12V & 110V W KNC	
									NAME ELEC. DIVISION/UPC SHEET CONV. 1K3 60 ITEMS	



□ ITEM REFERENCE ◇ PROCESS MATERIAL ▲ FORMER ▣ PART OF OR FASTENER

NOTE: Apply Sealer, Item 1 to Pipe Threads as Req'd.

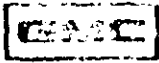


ITEM	PART
1780	9436889
1790	3744155
1800	2494772
1810	1444232
1820	3941477
1830	A 12141
1840	5151108
1850	1442232
1860	1442232
1870	1442232
1	8860653

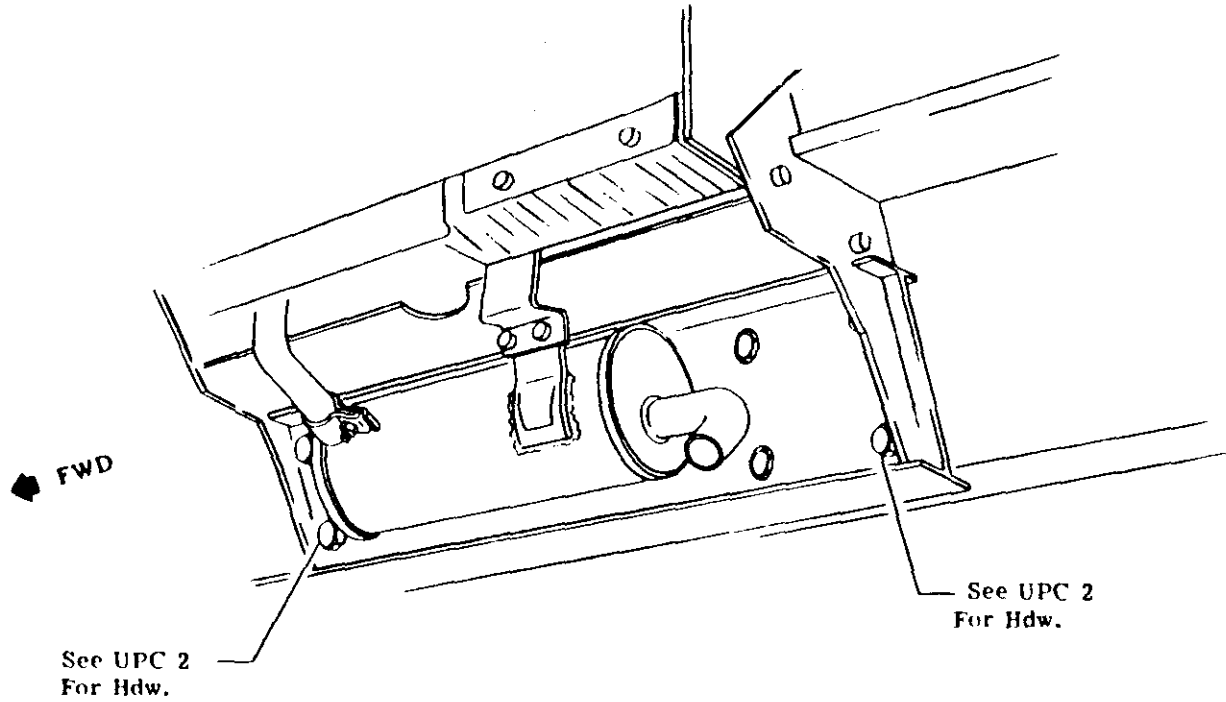
REFERENCE L 4311

PRELIMINARY

SYMBOL (Installation) - LES	NAME (Impression) - LES	DATE	BY	REVISION	SKETCH	OR	CC	DEPARTMENTS	TITLE	BOOK
▲				ORIGINAL DESIGN				THOMPSON	78 TRUCK	BOOK 70
▲									GENERATOR FUEL HOSE	
▲									W KNC ZEO6581	
▲									NAME ELEC. CONV. ILLMS	
▲									DIVISION/UPC	
▲									1K3	
▲									SHEET	62



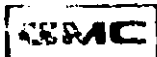
GMT 922 1/75



VIEW C

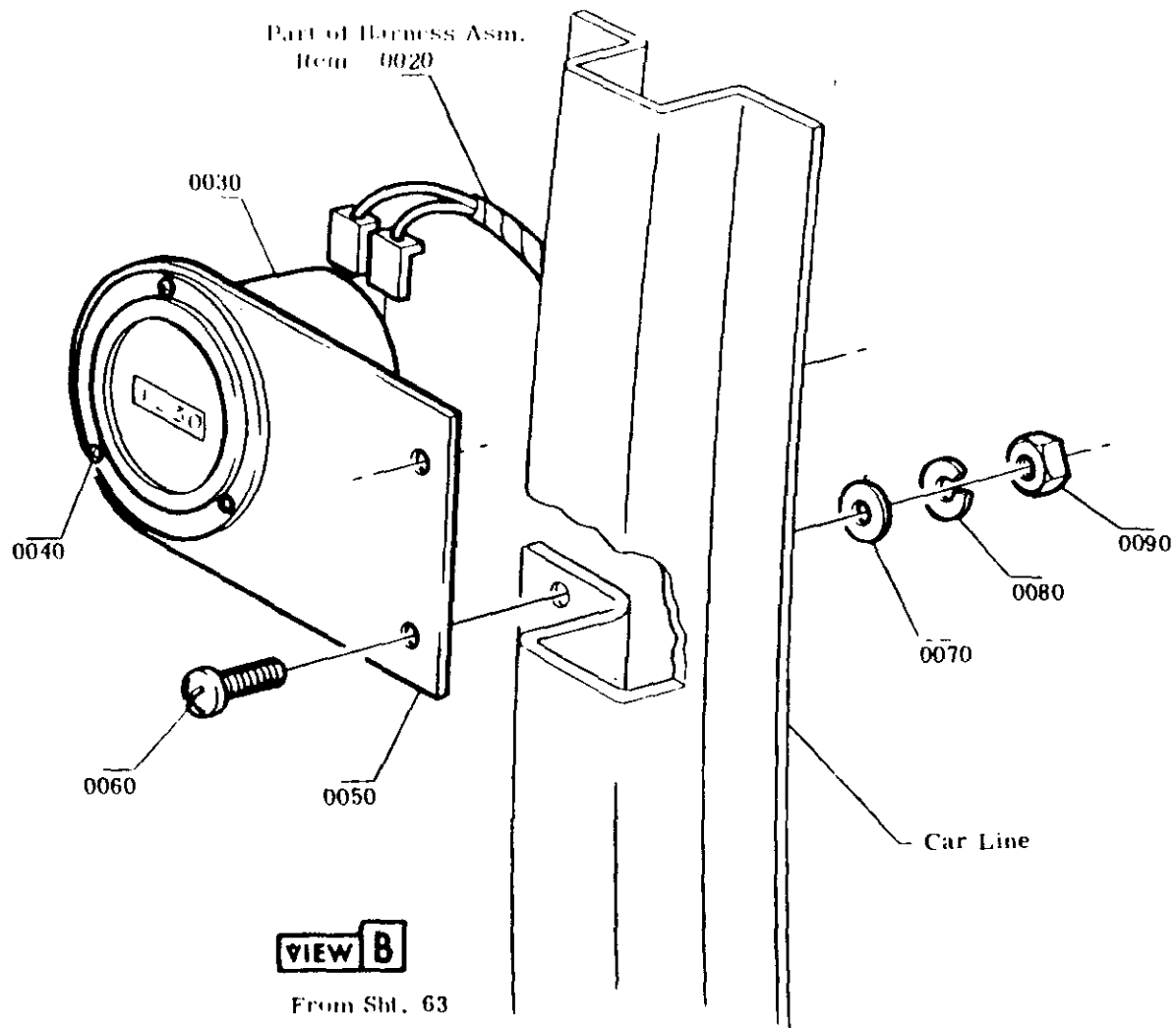
From Shl. 63

SYMBOL (Installation) - IS	MARK (Inspection) - IS	DATE	SYN	REVISION	AUTH	DR	IN	DEPARTMENTS	TRUCK	BOOK
	△			ORIGINAL RELEASE	1/1000	90/26		H. GRIFFIN	78	70
	△								TITLE	
	△								MOTOR GENERATOR MOUNTING	
	△								ZEO65B3 W KNC	
	△								NAME	DIVISION/UPC
	△								ELEC.	1K3
	△								CONVENIENCE	SHEET
	△								ITEMS	64



CMT 922 1 75

↙ FWD



BY	DATE	SYMBOL	REVISION	AUTH	DR	CR	DEPARTMENTS	BOOK
	4/17/74		ORIGINAL RELEASE				'78 TRUCK	BOOK 70
							TITLE	
							HOUR METER & WIRING	
							ZE06583 W KNC	
							NAME ELEC.	DIVISION/UPC
							CONVENIENCE	1K3
							ITEMS	SHEET 66

ITEM	PART OR TOOL DESCRIPTION	ADD'L DATA	QTY	PART NUMBER	ENGINE CODES	SERIES	DOY	ITEM RESTRICTION	DEPARTMENTS		CHANGE		LOGIC CODE	FUNCTION CODE	ADDITIONAL CODES	LINE NOS.
									BT	2/STA	CD	AUTH				
AA01014	ELEC EQUIP		*	L6656			81		0782						99501	1.8
AA01024	REFRIG MODULE								0782							1.9
AA01034	DRILL&CUT INST								0782							1.10
AA02014	ELEC EQUIP		*	L6657			81		0782						99502	1.12
AA02024	WARDROBE MODULE								0782							1.13
AA02034	ELEC								0782							1.14
AA03014	ELECT EQUIP		*	L6659			81		0782						99504	1.16
AA03024	BLANKET STOP								0782							1.17
AA03034	MODULE DRILL								0782							1.18
AA03044	C CUT INSTR								0782							1.19
AA04014	HARN&CONV INST		*	L6888			81		0782						99508	1.21
AA05014	HARN INSTL		*	L6890			81		0782						99508	1.23
AA05024	REFRIG 12V 110V								0782							1.24
AA06014	STOVE VENT INSTL		*	L6891			81		0782						99507	1.26
AA07014	FLP LP INSTL		*	L6893			81		0782						99508	1.26
AA08014	READING LP INSTL		*	L6894			81		0782						99509	1.30
AA09014	BATH LP INSTL		*	L6895			81		0782						99510	1.32
AA10014	UNDER CABINET		*	L6896			81		0782						99511	1.34
AA10024	LP INSTL								0782							1.35
AA11014	HALL&LN OVERHEAD		*	L6897			81		0782						00512	1.37
AA11024	LP INSTL								0782							1.38
AA12014	ELECT EQUIP		*	L6658			81		0782						99503	1.40
AA12024	WARDROBE MODULE								0782							1.41
AA12034	THERM DRIL INSTR								0782							1.42
AA14014	A/C PRF WIRE		*	MD14633			81UNR		0702						99576	1.44
AA15014	CLIP INSTL		*	L6932			81KNC		0704						99558	1.46
AA16014	HARN INSTL		*	L6973			81KNC		0704						99560	1.48
AA16024	M/G COMPT								0704							1.49
AA17014	WRG INSTL		*	L6889			81KNC		0704						99561	1.51
AA18014	110V O/S RECEPT		*	L7844			81U97		0782						99572	1.53

1																	
2																	
3																	
4																	
5																	
6																	
7	M.V.S.S.	REFERENCE															
										ZE06581				MODEL YEAR 1978 ORIGIN DATE 770719 LAST CHG. DATE 771003 LAST CHG. CODE CORR.			
										MODEL APPLICATION ELECTRICAL CONVENIENCE ITEMS UPC DESCRIPTION				70 1K3 A 1 BK U. P. C. GMP PAGE			

ASSEMBLY INFORMATION

ITEM	PART OR TOOL DESCRIPTION	ADD'L DATA	QTY	PART NUMBER	ENGINE CODES	SERIES	BOX BRK	ITEM RESTRICTION	DEPARTMENTS		CHANGE		LOGIC CODE	FUNCTION CODE	ADDITIONAL CODES	LINE NOS
									#1	2/STA	CD	AUTH				
AA19014	LH CENTRAL		*	L6898			81		0782						99513	1.56
AA19024	110V HARN								0782							1.57
AA24014	LH LWR RR 110V		*	L6934			81		0782						99518	1.59
AA24024	HARN INSTL								0782							2.1
AA25014	RR 110V HARN		*	L6935			81		0782						99519	2.3
AA25024	INSTL								0782							2.4
AA26014	LH UPR 110V HARN		*	L6936			81		0782						99520	2.6
AA26024	INSTL								0782							2.7
AA27014	RH CENTRAL 110V		*	L6937			81		0782						99521	2.9
AA27024	HARN INSTL								0782							2.10
AA28014	WAY HYR 110V		*	L6938			81		0782						99522	2.12
AA28024	U7BDX INSTL								0782							2.13
AA29014	WAY HYR 110V		*	L6939			81		0782						99523	2.15
AA29024	HARN INSTL								0782							2.16
AA30014	TYP 110V RECEPT		*	L6940			81		0782						99524	2.18
AA30024	INSTL								0782							2.19
AA31014	HALL CEILING		*	L6941			81		0782						99525	2.21
AA31024	RECEPTACLE								0782							2.22
AA31034	HARN INSTL								0782							2.23
AA32014	TYP 110V		*	L6942			81		0782						99526	2.25
AA32024	RECEPTACLE								0782							2.26
AA33014	110V CYRC BRKR		*	L6943			81		0782						99527	2.28
AA33024	PNL INST								0782							2.29
AA34014	LH UPR FWD		*	L6944			81		0782						99528	2.31
AA34024	12V HARN INSTL								0782							2.32
AA35014	LH UPR CENTRAL		*	L6945			81		0782						99529	2.34
AA35024	12V HARN INSTL								0782							2.35
AA36014	LH RR UPR		*	L6947			81		0782						99531	2.37
AA36024	12V HARN								0782							2.38
AA37014	LH LWR FWD		*	L6948			81		0782						99532	2.40
AA37024	12V HARN								0782							2.41
AA38014	LH LWR CENTRAL		*	L6949			81		0782						99533	2.43
AA38024	12V HARN								0782							2.44

F.M.V.S. REFERENCE	ZEO65R1	MODEL YEAR 1978 ORIGIN DATE 770719 LAST CHG DATE 771003 LAST CHG CODE CRA
	MODEL APPLICATION ELECTRICAL CONVENIENCE ITEMS	70 1K3 A 2 BK U. P. C. QRP PAGE
	UFC DESCRIPTION	

ITEM	E Q	PART OR TOOL DESCRIPTION	ADD'L DATA	Q T Y	PART NUMBER	ENGINE CODES	SERIES	BODY BRK	ITEM RESTRICTION	DEPARTMENTS		CHANGE		LOGIC CODE	FUNCTION CODE	ADDITIONAL CODES	LINE NOS	
										1	2/STA	CD	AUTH					
AA39014		LWR RR		*	L6950			81		0782							99534	2.46
AA39024		12VHARN								0782								2.47
AA40014		C/LP SW TYP		*	L6951			81		0782							99535	2.49
AA40024		12V HARN								0782								2.50
AA41014		RF CTR 12V HARN		*	L6952			81		0782							99536	2.52
AA41024		INSTL								0782								2.53
AA42014		RH VER CENT		*	L6953			81		0782							99537	2.55
AA42024		12V HARN								0782								2.56
AA43014		RH FWD 12V		*	L6954			81		0782							99538	2.58
AA43024		HARN INST								0782								2.59
AA44014		RH UPR RR 12V		*	L6955			81		0782							99539	3.2
AA44024		HARN INSTL								0782								3.3
AA45014		RH LWR CENT		*	L6956			81		0782							99540	3.5
AA45024		12V HARN INSTL								0782								3.6
AA46014		RH LWR RR 12V		*	L6957			81		0782							99541	3.8
AA46024		HARN								0782								3.9
AA47014		LPG COMPT 12V		*	L6958			81		0782							99542	3.11
AA47024		HARN INSTL								0782								3.12
AA48014		RH RR W/PUMP		*	L6959			81		0782							99543	3.14
AA48024		BREAK 12V HARN								0782								3.15
AA48034		INSTL								0782								3.16
AA49014		WAY TR SENDER		*	L6960			81		0782							99544	3.18
AA49024		12V HARN INSTL								0782								3.19
AA50014		FUEL HSE INSTL		*	L4311					0752							99573	3.21
AA60014		LUB CHART		*	MD10298					0754							99584	3.23
AA70014		SYOVE 12V HARN		*	L6962			81		0782							99546	3.25
AA70024		INSTL								0782								3.26
AA71014		REFRIG MODULE		*	L6963			81		0782							99547	3.28
AA71024		12V HARN INSTL								0782								3.29
AA72014		REFRIG MODULE		*	L6967			81		0782							99547	3.31
AA72024		12V HARN INSTL								0782								3.32

1 2 3 4 5	2E08581										MODEL YEAR 1978	
											ORIGIN DATE 770719	
											LAST CHG. DATE 771003	
											LAST CHG. CODE CORR.	
MODEL APPLICATION										70 1K3 A 3		
ELECTRICAL CONVENIENCE ITEMS										BK. V. P. G. 822 PAGE		
UPC DESCRIPTION												
REFERENCE												
F.M.V.B.B.												



PRODUCT DESCRIPTION MANUAL

ASSEMBLY INFORMATION

GMT 1061 REV. 5/78

GEN. TRUCK & COACH

ITEM	QTY	PART OR TOOL DESCRIPTION	ADD'L DATA	QTY	PART NUMBER	ENGINE CODES	SERIES	BODY BRK	ITEM RESTRICTION	DEPARTMENTS			LOGIC CODE	FUNCTION CODE	ADDITIONAL CODES	LINE NOS
										#1	2/STA	CD				
AA73014 AA73024		MONITOR PNL 12V HARN INSTL		*	L6964			81		0782 0782					99548	3.34 3.35
AA74014 AA74024		SW PNL 12V HARN INSTL		*	L6965			81		0782 0782					99549	3.37 3.38
AA75014 AA75024		THERM 12V HARN INSTL		*	L6966			81		0782 0782					99550	3.40 3.41
AA76014 AA76024		RR FLR LP 12V HARN INSTL		*	L6969			81		0782 0782					99551	3.43 3.44
AA77014 AA77024		MTR GEN COMPT RR 12V HARN		*	L6974			81		0782 0782					99552	3.46 3.47
AA78014 AA78024		A/C PREWIRE HARN INSTL		*	L7362			81		0782 0782					99553	3.49 3.50
AA80014		LABEL LOC		*	L6653					0782					99570	3.52
AA81014 AA81024		CORO BOX DRN HSE INSTL/CORILL		*	MD13065			81		0782 0782					99500	3.54 3.55
AA82014		LH SI INTR TR		*	L6797			81APN		0784					99571	3.57
AA83014		A/C HARN INSTL		*	L6931			PICNL		0702					99555	3.59
AA84014		RR A/C WRG INSTL		*	L7460			81CNV/UNR		0702					99567	4.2
AA85014		RECEPTACLE		*	L6933			81KNC		0784					99563	4.4
AA87014		M/G COVER INSTL		*	L7852			KNC		0782					99575	4.6 4.7
AA89014 AA89024		LH LWR CENTRAL 110V HARN		*	L6899			81		0782 0782					99514	4.9 4.10
AA90014 AA90024		RH & LH FWD 110V HARN		*	L9567			81		0782 0782					99585	4.12 4.13
AA91014		DECAL LOC L/O		*	L4324			81		0782					99586	4.15
AA92014 AA92024 AA92034		ELEC EQUIP REFRIG MODULE DRILL&CUT INST		*	L6656			81		0784 0784 0784					99501	4.17 4.18 4.19
AA93014 AA93024 AA93034		ELEC EQUIP WARDROBE MODULE ELEC		*	L6657			81		0784 0784 0784					99502	4.21 4.22 4.23

ZE065R1

MODEL YEAR 1978
ORIGIN DATE 770719
LAST CHG. DATE 771003
LAST CHG. CODE CORR.

MODEL APPLICATION
ELECTRICAL CONVENIENCE ITEMS
UPC DESCRIPTION

70 1K3 A 4
BK U. P. C. 88 PAGE



PRODUCT DESCRIPTION MANUAL

GMT 1061 REV. 9/78

GM TRUCK & COACH

ASSEMBLY INFORMATION

ITEM #	E Q	PART OR TOOL DESCRIPTION	ADD'L DATA	QTY	PART NUMBER	ENGINE CODES	SERIES	BDY BRK	ITEM RESTRICTION	DEPARTMENTS		CHANGE		LOGIC CODE	FUNCTION CODE	ADDITIONAL CODES	LINE NOS
										#1	2/STA	CD	AUTH				
AA94014		ELECT EQUIP		*	L6659			81		0784							99504 4.25
AA94024		BLANKET STOP								0784							4.26
AA94034		MODULE DRILL								0784							4.27
AA94044		G CUT INSTR								0784							4.28
AA95014		HARN&CONV INST		*	L6888			81		0784							99505 4.30
AA96014		HARN INSTL		*	L6890			81		0784							99506 4.32
AA96024		REFRIG 12V 110V								0784							4.33
AA97014		STOVE VENT INSTL		*	L6891			81		0784							99507 4.35
AA98014		FLR LP INSTL		*	L6893			81		0784							99508 4.37
AA99014		READING LP INSTL		*	L6894			81		0784							99509 4.39
AB01014		BATH LP INSTL		*	L6895			81		0784							99510 4.41
AB02014		UNDER CABINET LP INSTL		*	L6896			81		0784							99511 4.43
AB02024										0784							4.44
AB03014		HALLCLH OVERHEAD LP INSTL		*	L6897			81		0784							99512 4.46
AB03024										0784							4.47
AB04014		ELECT EQUIP		*	L6658			81		0784							99503 4.49
AB04024		WARDROBE MODULE								0784							4.50
AB04034		THERM DRILL INSTR								0784							4.51
AB05014		CLIP INSTL		*	L6932			81		0784							99558 4.53
AB06014		HARN INSTL		*	L6973			81KNC		0784							99560 4.55
AB06024		H/RG COMPT								0784							4.56
AB07014		WRG INSTL		*	L6889			81KNC		0784							99561 4.58
AB07014		LH CENTRAL		*	L6898			81		0784							99513 5.1
AB07024		110V HARN								0784							5.2
AB08014		LH LWR RR 110V		*	L6934			81		0784							99516 5.4
AB08024		HARN INSTL								0784							5.5
AB09014		RR 110V HARN		*	L6935			81		0784							99518 5.7
AB09024		INSTL								0784							5.8
AB10014		LH UPR 110V HARN		*	L6936			81		0784							99520 5.10
AB10024		INSTL								0784							5.11
AB11014		RH CENTRAL 110V		*	L6937			81		0784							99521 5.13
AB11024		HARN INSTL								0784							5.14

1																	MODEL YEAR 1978			
2																	ORIGIN DATE 770719			
3																	LAST CHG. DATE 771003			
4																	LAST CHG. CODE CDR			
5																	70 1K3 A 5			
F.M.V.S.B.										REFERENCE					2E06581			UPC DESCRIPTION		
															BK. V. P. C. 997 PAGE					

PRODUCT DESCRIPTION MANUAL

ASSEMBLY INFORMATION

GMT 1061 REV. 8/78

GMC TRUCK & COACH

ITEM	QTY	PART OR TOOL DESCRIPTION	ADD'L DATA	PART NUMBER	ENGINE CODES	SERIES	BODY	ITEM RESTRICTION	DEPARTMENTS		CHANGE		LOGIC CODE	FUNCTION CODE	ADDITIONAL CODES	PNA	LINE NOS
									#1	2/STA	CD	AUTH					
AB12014 AB12024		WAT HTR 110V U/BOX INSTL		L6938					0784 0784						99522	5.16 5.17	
AB13014 AB13024		WAT HTR 110V HARN INSTL		L6939					0784 0784						99523	5.19 5.20	
AB14014 AB14024		TYP 110V RECEPT INSTL		L6940					0784 0784						99524	5.22 5.23	
AB15014 AB15024 AB15034		HALL CEILING RECEPTACLE HARN INSTL		L6941					0784 0784 0784						99525	5.25 5.26 5.27	
AB16014 AB16024		TYP 110V RECEPTACLE		L6942					0784 0784						99526	5.29 5.30	
AB17014 AB17024		110V CIRC BRKR PNL INST		L6943					0784 0784						99527	5.32 5.33	
AB18014 AB18024		LH UPR FWD 12V HARN INSTL		L6944					0784 0784						99528	5.35 5.36	
AB19014 AB19024		LH UPR CENTRAL 12V HARN INSTL		L6945					0784 0784						99529	5.38 5.39	
AB21014 AB21024		LH RR UPR 12V HARN		L6947					0784 0784						99531	5.41 5.42	
AB22014 AB22024		LH LWR FWD 12V HARN		L6948					0784 0784						99532	5.44 5.45	
AB23014 AB23024		LH LWR CENTRAL 12V HARN		L6949					0784 0784						99533	5.47 5.48	
AB24014 AA24024		LH LWR RR 12V HARN		L6950					0784 0784						99534	5.50 5.51	
AB25014 AB25024		C/LP SW YYP 12V HARN		L6951					0784 0784						99535	5.53 5.54	
AB26014 AB26024		RF CTR 12V HARN INSTL		L6952					0784 0784						99536	5.56 5.57	
AA27014 AA27024		RH VER CENT 12V HARN		L6953					0784 0784						99537	5.59 6.1	
AA28014 AA28024		RH FWD 12V HARN INST		L6954					0784 0784						00538	6.3 6.4	

ZE06581

MODEL YEAR 1978
 ORIGIN DATE 770719
 LAST CHG. DATE 771003
 LAST CHG. CODE CORR.
 70 1K3 A 6
 BK V. P. C. GMP PAGE

MODEL APPLICATION
 ELECTRICAL CONVENIENCE ITEMS
 UPC DESCRIPTION

REFERENCE

F M V S S

PRODUCT DESCRIPTION MANUAL

ASSEMBLY INFORMATION

GMT 1061 REV. 8/78

GMC TRUCK & COACH

ITEM	QTY	PART OR TOOL DESCRIPTION	ADD'L DATA	QTY	PART NUMBER	ENGINE CODES	SERIES	BOY BRK	ITEM RESTRICTION	DEPARTMENTS			LOGIC CODE	FUNCTION CODE	ADDITIONAL CODES	LINE NOS
										#1	2:STA	CD				
AB49014		COR'D BOX DRN HSE		*	M213065			81		0784					99500	6.55
AR49024		INST & DRILL								0784						6.56
AB48014		LH LWR CENTRAL		*	L6899			81		0784					99514	6.58
AR48024		110V HARN								0784						6.59
AB49014		RH & LH FWD		*	L9567			81		0784					99585	7.2
AB49024		110V HARN								0784						7.3
AB50014		DECAL LOC L/O		*	L4324			81		0784					99586	7.5
AB51014		ELEC EQUIP		*	L6656			81		0786					99501	7.7
AB51024		REFRIG MODULE								0786						7.8
AB51034		DRILL&CUT INST								0786						7.9
AA52014		ELEC EQUIP		*	L6657			81		0786					99502	7.11
AA52024		WARDROBE MODULF								0786						7.12
AA52034		ELFC								0786						7.13
AA53014		ELECT EQUIP		*	L6659			81		0786					99504	7.15
AR53024		BLANKET STOP								0786						7.16
AB53034		MODULE DRILL								0786						7.17
AB53044		& CUT INSTR								0786						7.18
AB54014		HARN&CUTV INST		*	L6888			81		0786					99505	7.20
AB55014		HARN INSTL		*	L6890			81		0786					99506	7.22
AB55024		REFRIG 12V 110V								0786						7.23
AR56014		STOVE VENT INSTL		*	L6897			81		0786					99507	7.25
AB57014		FLR LP INSTL		*	L6893			81		0786					99508	7.27
AB58014		READING LP INSTL		*	L6894			81		0786					99509	7.29
AB59014		BATH LP INSTL		*	L6895			81		0786					99510	7.31
AB60014		UNDER CABINET		*	L6896			81		0786					99511	7.33
AB60014		LP INSTL								0786						7.34
AB61014		HALL&LH OVERHEAD		*	L6897			81		0786					99512	7.36
AB61024		LP INSTL								0786						7.37

1		ZE06581	MODEL YEAR 1978
2			ORIGIN DATE 770719
3			LAST CHG DATE 771003
4			LAST CHG CODE CORR
5			70 1K3 A 8
6			BK U. P. C. 9PP PAGE
F.M.V.S.S.	REFERENCE	MODEL APPLICATION ELECTRICAL CONVENIENCE ITEMS UPC DESCRIPTION	

ITEM	S E 13	PART OR TOOL DESCRIPTION	ADD L DATA	QTY	PART NUMBER	ENGINE CODES	TRIP	BODY	ITEM DESCRIPTION	DEPARTMENT	CHANGE	LOGIC	FUNCTION	ADD L DATA	LINE NO.
										ST	LD	LD	LD	LD	
AB62014		ELECT EQUIP		*	L6658			81		0786				99503	7.39
AB62024		HARDROBE MODULE								0786					7.40
AB62034		THERM DRIL INSTR								0786					7.41
AB63014		LH CENTRAL		*	L6898			81		0786				99513	7.43
AB63024		110V HARN								0786					7.44
AB64014		LH LHR RR 110V		*	L6934			81		0786				99518	7.46
AB64024		HARN INSTL								0786					7.47
AB64014		RR 110V HARN		*	L6935			81		0786				99519	7.49
AB64024		INSTL								0786					7.50
AB65014		LH UPR 110V HARN		*	L6936			81		0786				99520	7.52
AB65024		INSTL								0786					7.53
AB66014		RH CENTRAL 110V		*	L6937			81		0786				99521	7.55
AB66024		HARN INSTL								0786					7.56
AB67014		WAT HTR 110V		*	L6938			81		0786				99522	7.58
AB67024		U/BOX INSTL								0786					7.59
AB68014		WAT HTR 110V		*	L6939			81		0786				99523	8.2
AB68024		HARN INSTL								0786					8.3
AB69014		TYP 110V RECEPT		*	L6940			81		0786				99524	8.5
AB69024		INSTL								0786					8.6
AB70014		HALL CEILING		*	L6941			81		0786				99525	8.8
AB70024		RECEPTACLE								0786					8.9
AB70034		HARN INSTL								0786					8.10
AB71014		TYP 110V		*	L6942			81		0786				99526	8.12
AB71024		RECEPTACLE								0786					8.13
AB72014		110V CIRC BRKR		*	L6943			81		0786				99527	8.15
AB72024		PNL INST								0786					8.16
AB73014		LH UPR FWD		*	L6944			81		0786				99528	8.18
AB73024		12V HARN INSTL								0786					8.19
AB74014		LH UPR CENTRAL		*	L6945			81		0786				99529	8.21
AB74024		12V HARN INSTL								0786					8.22
AB76014		LH RR UPR		*	L6947			81		0786				99531	8.24
AB76024		12V HARN								0786					8.25

ASSEMBLY INFORMATION

ITEM	PART OR TOOL DESCRIPTION	ADD'L DATA	QTY	PART NUMBER	A/O ID	ENGINE CODES	SERIES	BOX BRN	ITEM RESTRICTION	DEPARTMENTS		CHANGE		LOGIC CODE	FUNCTION CODE	ADDITIONAL CODES	LINE NOS
										#1	2/STA	CD	AUTH				
AB77014 AB77024	LH LHR FWD 12V HARN		*	L6948						0786 0786						99532	8.21 8.26
AB78014 AB78024	LH LHR CENTRAL 12V HARN		*	L6949						0786 0786						99533	8.30 8.31
AB79014 AB79024	LH LHR RR 12V HARN		*	L6950						0786 0786						99534	8.33 8.34
AB80014 AB80024	C/LP SW TUP 12V HARN		*	L6951						0786 0786						99535	8.36 8.37
AB81014 AB81024	RF CYR 12V HARN INSTL		*	L6952						0786 0786						99536	8.39 8.40
AB82014 AB82024	RH VER CENT 12V HARN		*	L6953						0786 0786						99537	8.42 8.43
AB83014 AB83024	RH FWD 12V HARN INST		*	L6954						0786 0786						99538	8.45 8.46
AB84014 AB84024	RH UPR RR 12V HARN INSTL		*	L6955						0786 0786						99539	8.48 8.49
AB85014 AB85024	RH LWR CENT 12V HARN INSTL		*	L6956						0786 0786						99540	8.51 8.52
AB86014 AB86024	RH LWR RR 12V HARN		*	L6957						0786 0786						99541	8.54 8.55
AB87014 AB87024	LPG COMPY 12V HARN INSTL		*	L6958						0786 0786						99542	8.57 8.58
AB88014 AB88024 AB88034	RH RR W/PUMP BREAK 12V HARN INSTL		*	L6950						0786 0786 0786						99543	9.1 9.2 9.3
AB89014 AB89024	WAT TR SENDER 12V HARN INSTL		*	L6960						0786 0786						99544	9.5 9.6
AB90014 AB90024	STOVE 12V HARN INSTL		*	L6962						0786 0786						99546	9.8 9.9
AB91014 AB91024	REFRIG MODULE 12V HARN INSTL		*	L6963						0786 0786						99547	9.11 9.12
AB92014 AB92024	REFRIG MODULE 12V HARN INSTL		*	L6967						0786 0786						99547	9.14 9.15

1		ZE065R1	MODEL YEAR 1978
2			ORIGIN DATE 770719
3			LAST CHG. DATE 771003
4			LAST CHG. CODE 000
5			70 1K3 A 10
F.M.V.S.S.	REFERENCE	ELECTRICAL CONVENIENCE ITEMS UPC DESCRIPTION	BR. V. P. C. RT. PAGE

PRODUCT DESCRIPTION MANUAL
ASSEMBLY INFORMATION

ITEM	PART OR TOOL DESCRIPTION	ADD'L DATA	QTY	PART NUMBER	ENGINE CODES	SERIES	REV	ITEM RESTRICTION	DEPARTMENTS		CHANGE		LOGIC CODE	FUNCTION CODE	ADDITIONAL CODES	LINE NOS
									#1	2/3TA	CD	AUTH				
AC11014	STOV VENT INSTL		*	L6891			81		0704						99501	10.1
AC12014	FLR LP INSTL		*	L6893			81		0704						99502	10.2
AC13014	READING LP INSTL		*	L6894			81		0704						99503	10.3
AC14014	BATH LP INSTL		*	L6895			81		0704						99510	10.13
AC15014	UNDER CABINET LP INSTL		*	L6896			81		0704						99511	10.15
AC15024									0704							10.16
AC16014	HALL&LH OVERHEAD LP INSTL		*	L6897			81		0704						99512	10.18
AC16024									0704							10.19
AC17014	ELECT EQUIP		*	L6658			81		0704						99503	10.21
AC17024	WARDROBE MODULE								0704							10.22
AC17034	THERM DRIL INSTR								0704							10.23
AC21014	LH CENTRAL 110V HARN		*	L6898			81		0704						99513	10.25
AC21024									0704							10.26
AC22014	LH LWR RR 110V HARN INSTL		*	L6934			81		0704						99518	10.28
AC22024									0704							10.29
AC23014	RR 110V HARN INSTL		*	L6935			81		0704						99519	10.31
AC23024									0704							10.32
AC24014	LH UPR 110V HARN INSTL		*	L6936			81		0704						99520	10.34
AC24024									0704							10.35
AC25014	RH CENTRAL 110V HARN INSTL		*	L6937			81		0704						99521	10.37
AC25024									0704							10.38
AC26014	WAT HTR 110V U/BOX INSTL		*	L6938			81		0704						99522	10.40
AC26024									0704							10.41
AC27014	WAT HTR 110V HARN INSTL		*	L6939			81		0704						99523	10.43
AC27024									0704							10.44
AC28014	TYP 110V RECEPT INSTL		*	L6940			81		0704						99524	10.46
AC28024									0704							10.47

1 2 3 4 5	ZE06581										MODEL YEAR 1978 ORIGIN DATE 770719 LAST CHG DATE 771003 LAST CHG CODE CORR					
	MODEL APPLICATION ELECTRICAL CONVENIENCE ITEMS										70 1K3 A 12 BK U. P. G. 998 PAGE					
	UPC DESCRIPTION															



PRODUCT DESCRIPTION MANUAL

ASSEMBLY INFORMATION

GMT 1061 REV. 5/78

GMC TRUCK & COACH

ITEM	QTY	PART OR TOOL DESCRIPTION	ADD'L DATA	QTY	PART NUMBER	ENGINE CODES	SERIES	BODY BPN	ITEM RESTRICTION	DEPARTMENTS		CHANGE		LOGIC CODE	FUNCTION CODE	ADDITIONAL CODES	FNA	LINE NOS
										#1	2/STA	CD	AUTH					
AC29014		HALL CEILING		*	L6941					0704							99525	10.49
AC29024		RECEPTACLE								0704								10.50
AC29034		HARN INSTL								0704								10.51
AC30014		TYP 110V		*	L6942					0704							99526	10.53
AC30024		RECEPTACLE								0704								10.54
AC31014		110V CIRC BRKR		*	L6943					0704							99527	10.56
AC31024		PNL INST								0704								10.57
AC32014		LH UPR FWD		*	L6944					0704							99528	10.59
AC32024		12V HARN INSTL								0704								11.1
AC33014		LH UPR CENTRAL		*	L6945					0704							99529	11.3
AC33024		12V HARN INSTL								0704								11.4
AC35014		LH RR UPR		*	L6947					0704							99531	11.6
AC35024		12V HARN								0704								11.7
AC36014		LH LWR FWD		*	L6948					0704							99532	11.9
AC36024		12V HARN								0704								11.10
AC37014		LH LWR CENTRAL		*	L6949					0704							99533	11.12
AC37024		12V HARN								0704								11.13
AC38014		LH LWR RR		*	L6950					0704							99534	11.15
AC38024		12V HARN								0704								11.16
AC39014		CZLP SW TYP		*	L6951					0704							99535	11.18
AC39024		12V HARN								0704								11.19
AC40014		RF CTR 12V HARN		*	L6952					0704							99536	11.21
AC40024		INSTL								0704								11.22
AC41014		RH VFR CENT		*	L6953					0704							99537	11.24
AC41024		12V HARN								0704								11.25
AC42014		RH FWD 12V		*	L6954					0704							99538	11.27
AC42024		HARN INST								0704								11.28
AC43014		RH UPR RR 12V		*	L6955					0704							99539	11.30
AC43024		HARN INSTL								0704								11.31
AC44014		RH LWR CENT		*	L6956					0704							99540	11.33
AC44024		12V HARN INSTL								0704								11.34

1		2E06581	
2			MODEL YEAR 1978
3			ORIGIN DATE 770719
4			LAST CHG. DATE 771003
5			LAST CHG. CODE CORR.
			70 1K3 A 13
F.M.V.B.	REFERENCE	MODEL APPLICATION ELECTRICAL CONVENIENCE ITEMS UPC DESCRIPTION	BK. V. P. G. 92F PAGE



PRODUCT DESCRIPTION MANUAL ASSEMBLY INFORMATION

GMT 1001 REV. 8/78

ITEM	QTY	PART OR TOOL DESCRIPTION	ADD'L DATA	QTY	PART NUMBER	ENGINE CODES	SERIES	BOY BHM	ITEM RESTRICTION	DEPARTMENTS		CHANGE		LOGIC CODE	FUNCTION CODE	ADDITIONAL CODES	LINE NOS
										#1	2/STA	CD	AUTH				
AC45014		RH LWR RR 12V		*	L6957			81		0704						99541	11.36
AC45024		HARN								0704							11.37
AC46014		LPG COMPT 12V		*	L6958			81		0704						99542	11.39
AC46024		HARN INSTL								0704							11.40
AC47014		RH RR W/PUMP		*	L6959			81		0704						99543	11.42
AC47024		BREAK 12V HARN								0704							11.43
AC47034		INSTL								0704							11.44
AC48014		WAT TK SENDER		*	L6960			81		0704						99544	11.46
AC48024		12V HARN INSTL								0704							11.47
AC81014		STOVE 12V HARN		*	L6962			81		0704						99546	11.49
AC81024		INSTL								0704							11.50
AC82014		REFRIG MODULE		*	L6963			81		0704						99547	11.52
AC82024		12V HARN INSTL								0704							11.53
AC83014		REFRIG MODULE		*	L6967			81		0704						99547	11.56
AC83024		12V HARN INSTL								0704							11.57
AC84014		MONITOR PNL 12V		*	L6964			81		0704						99548	11.59
AC84024		HARN INSTL								0704							12.1
AC85014		SW PNL 12V HARN		*	L6965			81		0704						99549	12.3
AC85024		INSTL								0704							12.4
AC86014		THERM 12V HARN		*	L6968			81		0704						99550	12.6
AC86024		INSTL								0704							12.7
AC87014		RR FLR LP 12V		*	L6969			81		0704						99551	12.9
AC87024		HARN INSTL								0704							12.10
AC88014		MTR GEN COMPT		*	L6974			81		0704						99552	12.12
AC88024		RR 12V HARN								0704							12.13
AC89014		A/C PREWIRE		*	L7362			81		0704						99553	12.15
AC89024		HARN INSTL								0704							12.16
AC90014		LABEL LOC		*	L6653					0704						99570	12.18
AC91014		CORD BOX DRN HSE		*	MD13065			81		0704						99500	12.20
AC91024		INSTLDRILL								0704							12.21
AC92014		A/C HARN INSTL		*	L6931			RTCNL		0704						99555	12.23
AC93014		RR A/C WRG INSTL		*	L7460			81CNV/UNR		0704						99567	12.25

	2F06581	
	MODEL APPLICATION ELECTRICAL CONVENIENCE ITEMS UPC DESCRIPTION	
		MODEL YEAR 1978 ORIGIN DATE 770719 LAST CHG. DATE 771003 LAST CHG. CODE CORR. 70 1K3 A 14 BK U. P. G. 997 PAGE
1 2 3 4 5 6 7 8 9 10 11 12 13 14 15 16 17 18 19 20 21 22 23 24 25 26 27 28 29 30 31 32 33 34 35 36 37 38 39 40 41 42 43 44 45 46 47 48 49 50 51 52 53 54 55 56 57 58 59 60 61 62 63 64 65 66 67 68 69 70 71 72 73 74 75 76 77 78 79 80 81 82 83 84 85 86 87 88 89 90 91 92 93 94 95 96 97 98 99 100		



PRODUCT DESCRIPTION MANUAL

ASSEMBLY INFORMATION

GMT 1061 REV. 8/78

GM TRUCK & COACH

ITEM	QTY	PART OR TOOL DESCRIPTION	ADD'L DATA	QTY	PART NUMBER	ENGINE CODES	SERVES	BODY P/N	ITEM RESTRICTION	DEPARTMENTS		CHANGE		LOGIC CODE	FUNCTION CODE	ADDITIONAL CODES	...A	LINE NOB.
										#1	2/STA	CD	AUTH					
AC94014	1	LH LWR CENTRAL		*	L6899					0704							99514	12.27
AC94024	1	110V HARN								0704								12.28
AC95014	1	RH & LH FWD		*	L9561					0704							99585	12.30
AC95024	1	110V HARN								0704								12.31
AC98014	1	DECAL LOC L/O		*	L4324					0704							99586	12.33
AC97014	1	CLIP INSTL		*	L6932					0752							99558	12.35
AC98014	1	HARN INSTL		*	L6973					0752							99560	12.37
AC98024	1	M/G COMPT								0752								12.38
AC99014	1	WRG INSTL		*	L6889					0752							99561	12.40
AD01014	1	CLIP INSTL		*	L6932					0754							99558	12.41
AD02014	1	HARN INSTL		*	L6973					0754							99560	12.43
AD02024	1	M/G COMPT								0754								12.44
AD03014	1	WRG INSTL		*	L6889					0754							99561	12.46
AD05014	1	MTR GEN BAT &		*	L8155					0752							99577	12.48
AD05024	1	CBL INSTL								0752								12.49
AD06014	1	MTR GEN BAT &		*	L8155					0782							99577	12.51
AD06024	1	CBL INSTL								0782								12.52
0020AA	1	BATTERY OT LINE		1	1980231					0782	43		0000430080			M00100	12.54	
0030AA	1	RET AUX BAT		1	2479377					0782	43		0000430090			M00110	12.56	
0040AA	2	STUD HOLD DOWN		2	790056					0782	43					00112	12.58	
0050AA	2	WASHER HOLD DN		2	103321					0782	43					00113	13.1	
0060AA	2	WASHER STUD		2	120394					0782	43					00115	13.3	
0070AA	2	NUT STUD HOLD DN		2	120377					0782	43					00117	13.5	
0080AA	2	RIVNUT		2	696491					0702	6					00119	13.7	
0090AA	1	LOCATOR AUX BAT		1	791975					0782	43	03810000430095				M00120	13.9	
0100AA	2	SCREW		2	9416844					0782	43					00122	13.11	
0110AA	2	WASHER		2	103319					0782	43					00124	13.13	
0120AA	1	HARN ASH AUX SW		1	12002612					0782	41		0000410085			M00125	13.15	

1		Z06581	MODEL YEAR 1978
2			ORIGIN DATE 770719
3			LAST CHG. DATE 771003
4			LAST CHG. CODE 000
5			70 1K3 A 15
F.M.V.S.S.	REFERENCE	MODEL APPLICATION ELECTRICAL CONVENIENCE ITEMS UPC DESCRIPTION	SK V. P. C. 997 PAGE



PRODUCT DESCRIPTION MANUAL

ASSEMBLY INFORMATION

ITEM	QTY	PART OR TOOL DESCRIPTION	ADD'L DATA	QTY	PART NUMBER	ENGINE CODES	SERIES	BODY BRK	ITEM RESTRICTION	DEPARTMENT		CHANGE		LOGIC CODE	FUNCTION CODE	ADDITIONAL CODES	LINE NOS
										#1	2/STA	CD	AUTH				
0130AA		HARN ASM BAT		1	12000234			81		0782	41			0000	410087	M00130	13.17
0140AA		BOLT GRD HARN		1	180122			81		0782	41					M00132	13.19
0150AA		WASHER		2	138542			81		0782	41					M00134	13.21
0168AA		NUT		2	120977			81		0782	41					M00136	13.23
0180AA		BREAKER ASM		1	2301786			81		0782	41			0000	410090	M00140	13.25
0190AA		SCREW		2	9414726			81		0782	41					M00142	13.27
0200AA		SWITCH ASM		1	2257156			81		0782	41			0000	410095	M00145	13.29
0210AA		SCREW		2	9416843			81		0782	41					M00147	13.31
0230AA		BLOCK		1	2008344			81		0782	41			0000	410100	M00150	13.33
0235AA		RIVET		2	700368			81		0782	41					M00151	13.35
0240AA		BLOCK ASM		1	790866			81		0782	41			0000	410105	M00155	13.37
0250AA		SCREW		2	9414722			81		0784	69					M00157	13.39
0260AA		FUSE AUX BLK		6	9426333			81		0782	41			0000	410110	M00160	13.41
0270AA		NUT AUX BLK		7	120367			81		0782	41					M00165	13.43
0280AA		NUT AUX BLK		1	124818			81		0782	41					M00169	13.45
0290AA		LABEL		1	2008688			81		0786	84			0000	845005	M00180	13.47
0300AA		CONVERTER ASM		1	790315			81		0784	69			0000	695005	M00400	13.49
0310AA		BOLT CHRG FRT		2	9419010			81		0784	69					M00410	13.51
0320AA		WASHER		2	103319			81		0784	69					M00412	13.53
0330AA		BOLT		2	9418994			81		0784	69					M00420	13.55
0340AA		WASHER		2	103321			81		0784	69					M00422	13.57
0350AA		SPACER FRY		1	7901P1			81		0784	69			0000	695010	M00425	13.59
0360AA		SPACER RR		1	7901P2			81		0784	69			0000	695015	M00430	14.2
0370AA		MOUNT ASM		2	792175			81		0784	67			0000	675005	M00435	14.4
0380AA		MOUNT ASM		2	792176			81		0784	67			0000	675010	M00440	14.6

1 2 3 4 5	7E0581		MODEL YEAR 1978
	MODEL APPLICATION		ORIGIN DATE 770719
	ELECTRICAL CONVENIENCE ITEMS		LAST CHG. DATE 771003
F.M.V.S.B.	REFERENCE	UPC DESCRIPTION	LAST CHG. CODE CORR. 70 1K3 A 16 BK. V. P. G. SEE PAGE

ITEM	PART OR TOOL DESCRIPTION	ADD'L DATA	QTY	PART NUMBER	ENGINE CODES	SERIES	REV	ITEM RESTRICTION	DEPARTMENTS		CHANGE		LOGIC CODE	FUNCTION CODE	ADDITIONAL CODES	LINE NOS
									#1	2/STA	CD	AUTH				
0390AA	SCREW		18	9414721			81		0784	67					00442	14.28
0400AA	SCREW		1	9418235			81		0784	69					00458	14.30
0410AA	WASHER		1	120423			81		0784	69					00447	14.32
0420AA	MONITOR ASM		1	8985038			81		0784	69			0000695020		M00450	14.34
0424AA	INSERT LP THD		2	791840			81		0784	78			0000785020		M00710	14.36
0430AA	SCREW		2	9417303			81		0784	78					00715	14.38
0440AA	LAMP ASM		1	791142			81		0784	78			0000785025		M00720	14.39
0442AA	LAMP ASM		1	2000974			81		0784	78			0000785030		M00600	14.32
0445AA	INSERT		4	791840			81		0784	78			0000785035		M00610	14.34
0448AA	SCREW		4	9417303			81		0784	78					00620	14.26
0450AA	NUY HALL OP SPR		2	9431531			81		0784	61					00722	14.28
0460AA	SCR HALL LP		2	9414723			81		0784	78					00724	14.30
0470AA	LAMP ASM RD		2	791703			81		0784	78			0000785040		M00725	14.32
0480AA	LAMP ASM FLR		2	791155			81		0784	67			0000675015		M00730	14.34
0490AA	LAMP ASM CT5Y		2	791143			81		0782	41			0000410115		M00740	14.36
0495AA	LAMP ASM GALLEY		1	2000975			81		0784	78			0000785045		M00700	14.38
0500AA	SCREW C7LP		4	159704			81		0782	41					00742	14.40
0505AA	NUY		4	791804			81		0782	41					00744	14.42
0510AA	SEALER		4	9985041			81		0782	41					00745	14.44
0515AA	WASHER GROWR		2	138530			81		0782	41					00755	14.46
0517AA	NUY GROWR		2	120622			81		0782	41					00750	14.48
0520AA	LAMP ASM BATH		2	790832			81		0784	67			0000675020		M00800	14.50
0530AA	INSERT		6	791840			81		0784	67			0000675025		M00810	14.52
0540AA	SCREW		6	9417303			81		0784	67					00812	14.54
0550AA	SWITCH ASM		2	790344			81		0782	41			0000410120		M00900	14.56

1		2E065H1	MODEL YEAR IS 78
2			ORIGIN DATE 770719
3			LAST CHG. DATE 771003
4			LAST CHG. CODE CORR.
5			70 1K3 A 17
	REFERENCE	MODEL APPLICATION	BR. V. P. C. 87 PAGE
		ELECTRICAL CONVENIENCE ITEMS	
		UPC DESCRIPTION	

PRODUCT DESCRIPTION MANUAL

ASSEMBLY INFORMATION

REV. 8/78

TRUCK & COACH

ITEM E Q	PART OR TOOL DESCRIPTION	ADD'L DATA	Q T Y	PART NUMBER	ENGINE CODE	SERIES	REV OR S	ITEM RESTRICTION	DEPARTMENTS		CHANGE		LOGIC CODE	FUNCTION CODE	ADDITIONAL CODES	LINE NOS
									#1	2/STA	CD	AUTH				
0570AA	PANEL ASM LT SW		1	790345			81		0784	67			0000675030		M00915	14.59
0580AA	SCREW PNL		4	9420686			81		0784	67					00920	15.2
0590AA	HARNESS LGT&FAN		1	12000934			81		0782	41			0000410125		M01000	15.4
0600AA	SCREW		13	9418235			81		0782	41					01010	15.6
0610AA	SCREW		1	9416843			81		0782	41					01010	15.8
0620AA	WASHER		14	120392			81		0782	41					01015	15.10
0630AA	CLIP		2	708513			81		0782	41			0000410130		M01020	15.12
0640AA	PAN WRAP		1	657558			81		0782	41			0000410135		M01025	15.14
0650AA	TAPE		4	R35089			81		0782	41					01030	15.16
0660AA	HARNESS SW&FAN		1	12000838			81		0782	41			0000410140		M01100	15.18
0670AA	SCREW		12	9418235			81		0782	41					01110	15.19
0680AA	SCREW		1	9416843			81		0782	41						15.20
0690AA	WASHER		13	120392			81		0782	41					01112	15.24
0700AA	TAPE		4	R35089			81		0782	41					01115	15.26
0710AA	HARNESS FUR&MTR		1	12002616			81		0782	41			0000410145		M01200	15.28
0720AA	SCREW		9	9418235			81		0782	41					01210	15.30
0730AA	SCREW		1	9416844			81		0782	41					01210	15.32
0740AA	SCREW		1	9414722			81		0784	66					01210	15.34
0760AA	WASHER		10	120392			81		0782	41					01215	15.36
0780AA	HARNESS RF RRIG		1	12002617			81		0782	41			0000410150		M01300	15.38
0790AA	CLIP		1	674904			81		0782	41			0000410155		M01305	15.40
0800AA	SCREW		8	9418235			81		0782	41					01310	15.42
0810AA	SCREW		4	9416844			81		0782	41					01310	15.44
0820AA	SCREW		1	9416843			81		0782	41						15.45
																15.46

1 2 3 4 5 6 7 8 9 10	2E06501											MODEL YEAR 1978				
	MODEL APPLICATION											ORIGIN DATE 770719				
	ELECTRICAL CONVENIENCE ITEMS											LAST CHG. DATE 771003				
UPC DESCRIPTION											LAST CHG. CODE CORR.					
F.M.V.S.S.											70 1K3 A 18					
REFERENCE											BK U. P. G. 987 PAGE					

PRODUCT DESCRIPTION MANUAL

ASSEMBLY INFORMATION

OMT 1001 REV. 8/78

GEN. TRUCK & COACH

ITEM #	PART OR TOOL DESCRIPTION	ADD'L DATA	QTY	PART NUMBER	ENGINE CODES	SERIES	REV. OR PART	ITEM RESTRICTION	DEPARTMENTS		CHANGE		LOGIC CODE	FUNCTION CODE	ADDITIONAL CODES	LINE NO.
									#1	2/STA	CD	AUTH				
0830AA	SCREW		1	9416149			81		0782	41						15.48
0840AA	WASHER		13	120392			81		0782	41						15.50
0850AA	WASHER		1	121801			81		0782	41						15.52
0860AA	WASHER		1	446161			81		0782	41						15.54
0870AA	NUT		1	120614			81		0782	41						15.56
0880AA	HARNASS MONITOR		1	1200081			81		0784	67		0000	675035			15.58
0890AA	SCREW		2	9416843			81		0784	67						16.1
0900AA	WASHER		2	120392			81		0784	67						16.3
0910AA	SENDER ASM		1	6429594			81		0784	70		0000	705005			16.5
0920AA	GASKET		1	6429637			81		0784	70		0000	705010			16.7
0930AA	WASHER		5	121801			81		0784	70						16.9
0940AA	NUT		5	9417265			81		0784	70						16.11
0945AA	HARN ASM 110V		1	2000280			81	-APN/CNV/UNL/UNR/UND/695	0704	13	CORR	0228	130009	M		16.13
0945AB	HARN ASM 110V		1	799088			81	APN-UNL/CNV/UNR/UND	0704	13		3618	130009	M		16.14
0945AC	HARN ASM 110V		1	799088			81	APN&CNV-UNL/UND/UNR	0704	13		6574	130009	M		16.15
0945AD	HARN ASM 110V		1	799090			81	APN&UNL-CNV/UND/UNR	0704	13		3620	130009	M		16.16
0945AE	HARN ASM 110V		1	799091			81	APN&CNV&UNL-UND/UNR	0704	13		6577	130009	M		16.17
0945AF	HARN ASM 110V		1	797889			81	CNV/UNR-APN/UNL/UND	0704	13		3622	130009	M		16.19
0945AG	HARN ASM 110V		1	799087			81	UNL-APN/CNV/UNR/UND	0704	13		3624	130009	M		16.19
0945AH	HARN ASM 110V		1	799089			81	UNL&CNV-APN/UND/UNR	0704	13		6579	130009	M		16.20
0945AJ	HARN ASM 110V		1	2026855			81	685-APN/APP	0704	13		1397	130009	M		16.21
0945AK	HARN ASM 110V		1	2026852			81	UND-APN/CNV/UNL/UNR	0704	13		0229	130009	M		16.22
0945AL	HARN ASM 110V		1	2026853			81	UND&UNR-APN/CNV/UNR	0704	13		0230	130009	M		16.23
0945AM	HARN ASM 110V		1	2026853			81	UND&CNV-APN/UNL/UNR	0704	13		0235	130009	M		16.24
0945AN	HARN ASM 110V		1	2026854			81	UND&APN&CNV-UNL/UNR	0704	13		0241	130009	M		16.25
0945AO	HARN ASM 110V		1	2026854			81	UND&APN&UNR-CNV/UNL	0704	13		0246	130009	M		16.26
0945AP	HARN ASM 110V		1	2026855			81	UND&CNV&UNL-APN/UNR	0704	13		0248	130009	M		16.27
0945AQ	HARN ASM 110V		1	2026855			81	UND&UNL&UNR-APN/CNV	0704	13		0249	130009	M		16.28
0945AS	HARN ASM 110V		1	2026856			81	UND&APN&UNL-UNR	0704	13		0253	130009	M		16.29
0945AT	HARN ASM 110V		1	2026856			81	UND&APN&UNL&UNR-CNV	0704	13		0254	130009	M		16.30
0945AU	HARN ASM 110V		1	2026857			81	UND&APN-CNV/UNL/UNR	0704	13		0259	130009	M		16.31
0945AV	HARN ASM 110V		1	2026859			81	UND&APN&UNL-CNV/UNR	0704	13		0260	130009	M		16.32
0945AW	HARN ASM 110V		1	2026860			81	UND&UNL-APN/CNV/UNR	0704	13		0262	130009	M		16.33
0945AX	HARN ASM 110V		1	799089			81	UNL&UNR-APN/CNV/UND	0704	13		1398	130009	M		16.34
0945BA	HARN ASM 110V		1	799088			81	APN&UNR-CNV/UND/UNL	0704	13		6562	130009	M		16.35
0945BB	HARN ASM 110V		1	799091			81	APN&UNL&UNR-CNV/UND	0704	13		6566	130009	M		16.36
0950AA	GROMMET		18	2489333			81		0704	13						16.38

1		2E06581	
2			
3			
4			
5			
F.M.V.B.B.	REFERENCE	MODEL APPLICATION ELECTRICAL CONVENIENCE ITEMS VPS DESCRIPTION	MODEL YEAR 1978 ORIGIN DATE 770719 LAST CHG. DATE 771003 LAST CHG. CODE CORR 70 IK3 A 19 BK. V. P. G. 9th PAGE



PRODUCT DESCRIPTION MANUAL

ASSEMBLY INFORMATION

QMT 1081 REV. 8/78

ITEM	SEQ	PART OR TOOL DESCRIPTION	ADD'L DATA	QTY	PART NUMBER	ENGINE CODES	SERIES	BOX OR PKG	ITEM RESTRICTION	DEPARTMENTS		CHANGE		LOGIC CODE	FUNCTION CODE	ADDITIONAL CODES	LINE NOS.
										#1	2/STA	CD	AUTH				
0955AA		GROMMET		2	2489333			81	CNV	0704	13						16.41
0955AB		GROMMET		1	2489333			81	UNR	0704	13						16.42
0960AA		GROMMET		1	2003464			81		0704	13						16.44
0970AA		CLIP		4	708513			81		0704	13		0000	130010			16.46
0980AA		CLIP		7	652036			81		0704	13		0000	130015			16.48
0990AA		CLIP		4	674904			81		0704	13		0000	130020			16.50
1000AA		CLIP		3	2381321			81	CNV/UNR	0704	13		3607	130025			16.52
1000AB		CLIP		3	2488391			81	CNV/UNR	0704	13		3608	130025	M		16.53
1010AA		CLIP		2	2381322			81		0704	13		0000	130030			16.55
1020AA		CLIP FRY LH		1	708513			81		0704	13		0000	130035			16.57
1030AA		CLIP FRY RH		1	708513			81		0704	13		0000	130040			16.59
1040AA		SCREW		10	9418235			81		0704	13						17.2
1050AA		SCREW		4	9416843			81		0704	13						17.4
1060AA		WASHER		15	120392			81		0704	13						17.6
1070AA		SCREW		2	9418235			81		0704	13						17.7
1080AA		SCREW		4	9414712			81		0784	67						17.10
1090AA		SCREW		3	456756			81		0784	69						17.12
1100AA		WASHER		3	121801			81		0784	69						17.14
1110AA		NUT		3	120361			81		0784	69						17.16
1120AA		BOX ASM JUNC		1	796334			81	CNV/UNR	0704	13		3627	130045			17.18
1120AB		BOX ASM JUNC		2	796334			81	UNR	0704	13		3626	130045	M		17.19
1130AA		SPCR J/BOX MTG		2	2418710			81	CNV/UNR	0704	13		3627	130050			17.20
1130AB		SPCR J/BOX MTG		4	2418710			81	UNR	0704	13		3626	130050	M		17.21
1140AA		SCREW		2	9416197			81	CNV/UNR	0704	13						17.24
1140AB		SCREW		4	9416197			81	UNR	0704	13						17.25
1150AA		SCREW		1	9416993			81	CNV	0704	13						17.27
1160AA		COVER ASM		1	796335			81	CNV/UNR	0704	13		3627	130060			17.29
1160AB		COVER ASM		2	796335			81	UNR	0704	13		3626	130060	M		17.30

ZE06581

MODEL YEAR 1978
 ORIGIN DATE 770719
 LAST CHG. DATE 771003
 LAST CHG. CODE CORR.

MODEL APPLICATION
 ELECTRICAL CONVENIENCE ITEMS
 UPC DESCRIPTION

70 1K3 A 20
 BK U. P. C. GMP PAGE

ITEM	QTY	PART OR TOOL DESCRIPTION	ADD'L DATA	QTY	PART NUMBER	ENGINE CODES	REVISED	REV	ITEM RESTRICTION	DEPARTMENTS		CHANGE		LOGIC CODE	FUNCTION CODE	ADDITIONAL CODES	LINE NOS.
										#1	2/STA	CD	AUTH				
1165AA	1	COVER		1	2008300			81		0704	13			0000	130065		M01661 17.32
1166AA	8	SCREW CVR		8	161375			81		0704	13						01662 17.34
1170AA	1	WIRING KIT ASM		1	791122			81		0704	13			0000	130070		M01675 17.36
1180AA	3	PAN WRAP		3	657558			81		0784	65			0000	655040		M01680 17.38
1190AA	16	SCREW		16	9426489			81		0784	65						01685 17.40
1200AA	1	SUPT DINET BOX		1	792164			81		0784	65			0000	655045		M01690 17.42
1210AA	4	SCREW		4	9422459			81		0784	65						01695 17.44
1220AA	1	BOX ASM		1	2007952			81	-KNC	0782	40			3599	400020		M01700 17.46
1220AB	1	BOX ASM		1	2007953			81	KNC	0782	40			3495	400020	M	01700 17.47
1230AA	17	SCREW		17	9416197			81		0782	40						01710 17.49
1234AA	1	SCREW		1	2006657			81		0782	40						01710 17.51
1240AA	1	GROMMET		1	655522			81		0782	40						01715 17.53
1250AA	4	SEALER		4	8861024			81		0782	40						01720 17.55
1260AA	1	TAG WAT HYR SW		1	791687			81		0784	69			0000	695025		M01750 17.57
1270AA	1	TAG AC ELEC CONN		1	2000059			81		0784	63			0000	635005		M01775 17.59
1280AA	1	LABEL WARN		1	799874			81		0784	64			0000	645035		M01850 18.2
1285AA	1	LABEL WARN		1	2016346			81		0784	63			0000	635010		M01760 18.4
1290AA	1	TAG RANGE		1	791689			81		0784	64			0000	645040		M01800 18.6
1300AA	1	FUSE AUX BLK		1	9426333			81	ANM	0782	41			3514	410160	M	00160 18.8
1310AA	1	PAN WRAP		1	657558			81	APN	0784	65			3494	655050	M	016 18.10
1320AA	1	BOX ASM		1	799304			81	APN	0784	65			3494	655055	M	02400 18.12
1330AA	4	SCREW		4	9426489			81	APN	0784	65						02425 18.14
1340AA	1	RECEPTACLE ASM		1	799297			81	APN	0784	65			3494	655060	M	02475 18.16
1350AA	1	PLATE RECEP CVR		1	799302			81	APN	0784	65			3494	655065	M	02480 18.18
1360AA	1	SUPT PNL BLK		1	792164			81	APN	0784	65			3494	655070	M	02490 18.20

1 2 3 4 5	ZE06581										MODEL YEAR IS 78			
											ORIGIN DATE 770719			
											LAST CHG. DATE 771003			
											LAST CHG. CODE CORR.			
REFERENCE										70 1K3 A 21				
MODEL APPLICATION										ELECTRICAL CONVENIENCE ITEMS				
MPC DESCRIPTION										BK. V. P. G. 827 PAGE				

PRODUCT DESCRIPTION MANUAL

ASSEMBLY INFORMATION

GMT 1061 REV. 8/78

GEN TRUCK & COACH

ITEM	S E Q	PART OR TOOL DESCRIPTION	ADD'L DATA	Q TY	PART NUMBER	ENGINE CODES	SERIES	BOY BRK	ITEM RESTRICTION	DEPARTMENTS		CHANGE CD	AUTH	LOGIC CODE	FUNCTION CODE	ADDITIONAL CODES	LINE NO.
										#1	2/STA						
1370AA		ADHESIVE			8860955					0784	69						02495 18.22
1380AA		RECEPTACLE ASM			2004621					0782	40			3613400025	M		02800 18.24
1390AA		CLIP			652036					0782	40			3613400030	M		02850 18.26
1400AA		SPACER			2004967					0782	40			3613400035	M		02900 18.28
1410AA		SCREW			9425533					0782	40						02950 18.30
1420AA		COVER ASM O/S			2004614					0782	40			3613400040	M		03000 18.32
1430AA		MTR GEN			2010790					0752	89			3495830019	M		00200 18.34
1440AA		CONTROL ASM			791805					0784	67			3495675040	M		00300 18.36
1450AA		HARN M/G BAT			12000235					0782	40			3495400045	M		01900 18.38
1450AB		HARN M/G BAT			12002615					0782	40			3495400045	M		01900 18.39
1452AA		MEYER M/G HR			2028734					0782	41			3495410175	M		18.41
1454AA		SCR MEYER ATCH			9425903					0782	41						18.43
1456AA		BRKT MEYER			2009110					0782	41			3495410180	M		18.45
1458AA		SCREW			9418566					0782	41						18.47
1460AA		WASHER			9419892					0782	41						18.49
1462AA		WASHER			103319					0782	41						18.51
1464AA		NUT			9419912					0782	41						18.53
1466AA		HARN GRD			696218					0782	40			3495400050	M		01975 18.55
1470AA		BOLT GRD HARN			180122					0782	41						01980 18.57
1480AA		WASHER			138542					0782	41						01985 18.59
1490AA		NUT			120377					0782	41						01990 19.2
1500AA		HARN 110V M/G			2018654					0782	40			3495400055	M		02025 19.4
1510AA		CLIP			120530					0704	8			3495080042	M		02050 19.6
1520AA		SEALER			R35174					0782	41						02155 19.8
1530AA		SEALER			R461061					0782	41						02155 19.10
1540AA		BRKT HARN CLP			791954					0782	41			3495410165	M		02175 19.12
1550AA		RIVET			9436024					0782	41						02180 19.14
1560AA		CLIP BRKT			120530					0782	41			3495410170	M		02200 19.16

ITEM S E Q	2E06581										MODEL YEAR 1978	
											ORIGIN DATE 770719	
											LAST CHG. DATE 771003	
											LAST CHG. CODE CORR.	
MODEL APPLICATION										70 1K3 A 22		
ELECTRICAL CONVENIENCE ITEMS										BK. M. P. G. SEE PAGE		
UPC DESCRIPTION												
REFERENCE												

PRODUCT DESCRIPTION MANUAL

ASSEMBLY INFORMATION

ITEM	QTY	PART OR TOOL DESCRIPTION	ADD'L DATA	QTY	PART NUMBER	ENGINE CODES	SERIES	BODY PIN	ITEM RESTRICTION	DEPARTMENT		CHANGE		LOGIC CODE	FUNCTION CODE	ADDITIONAL CODES	LINE NOS
										#1	2/STA	CD	AUTH				
1570AA		SCREW		3	456966				81KNC	0782	41					02210	19.28
1580AA		WASHER		3	120392				81KNC	0782	41					02220	19.20
1590AA		NUT		3	1494257				81KNC	0782	41					02230	19.22
1592AA		BATTERY M/G		1	1980400				83KNC	0782	41			3495410185	M		19.23 19.24
1594AA		TRAY M/G BAT		1	2005494				83KNC	0782	41			3495410190	M		19.26
1596AA		SCREW		4	9418901				83KNC	0782	41						19.28
1598AA		RETAINER BAT		1	533308				83KNC	0782	41			3495410195	M	M	19.30
1600AA		BOLT		2	3826708				83KNC	0782	41						19.32
1602AA		WASHER		2	9418304				83KNC	0782	41						19.34
1604AA		NUT		2	142745				83KNC	0782	41						19.36
1606AA		TAC M/G DANGER		1	791685				KNC	0784	63			3495635015	M		02300 19.38

1 2 3 4 5 6 7 8 9 10 11 12 13 14 15 16 17 18 19 20 21 22 23 24 25 26 27 28 29 30 31 32 33 34 35 36 37 38 39 40 41 42 43 44 45 46 47 48 49 50 51 52 53 54 55 56 57 58 59 60 61 62 63 64 65 66 67 68 69 70 71 72 73 74 75 76 77 78 79 80 81 82 83 84 85 86 87 88 89 90 91 92 93 94 95 96 97 98 99 100	2E06581 MODEL APPLICATION ELECTRICAL CONVENIENCE ITEMS UPC DESCRIPTION	MODEL YEAR 1978 ORIGIN DATE 770719 LAST CHG. DATE 771003 LAST CHG. CODE CORR 70 1K3 A 23 BK U. P. C. 002 (A00)
	REFERENCES	

ASSEMBLY INFORMATION

ITEM NO	PART OR TOOL DESCRIPTION	ADD'L DATA	QTY	PART NUMBER	ENGINE COPIES	UNIT	BY	ITEM DESCRIPTION	QTY	UNIT	DATE	FUNCTION CODE	ADDITIONAL CODES	DATE
1210AA	LUB MARK CURN		*	9985009				KNC	0704	U				19.1.1
1220AA	PANEL SI CLSK		1	2008174				B1KNC	0704	U		3492080045	W	02.00
1230AA	RIVET PNL/RKKT		5	700368				B1KNC	0704	U				19.1.6
1240AA	GRUMMET		1	2261791				B1KNC	0704	U				19.1.6
1250AA	SLALER		*	9985041				B1KNC	0704	U				19.1.8
1260AA	RVT SI-UPR PNL		8	700368				B1KNC	0704	U				19.1.7
1270AA	PLATE, BAT SUPT		1	2008177				B1KNC	0704	U		3492080054	W	02.00
1280AA	RVT, PLT-SI PGST		3	700368				B1KNC	0704	U				19.1.6
1290AA	PANEL BAT ACC		1	2008182				B1KNC	0704	U		3492080050	W	02.00
1300AA	INSULATION		1	2008167				KNC	0704	U		3492080054	W	02.00
1310AA	RKKT BAT BOX		1	2008178				B1KNC	0702	U	03810	3492080154	W	02.00
1320AA	SCR BRKTZFR		3	9421151				B1KNC	0702	U				20.1.1
1330AA	SCR ASM		4	2015039				B1KNC	0704	U	61240			20.1.1
1340AA	NUT		4	1494253				B1KNC	0704	U				20.1.1
1350AA	TAPE ACC PNL		*	8861204				B1KNC	0704	U				20.1.1
1360AA	SEAL EXCL HOLE		*	9961257				B1KNC	0704	U				20.1.3
1370AA	VENT BAT ENCL		1	2001029				B1KNC	0704	U		3492080054	W	02.00
1380AA	HOSE FUEL TILT		1	9438889				KNC	0752	78		3492780001	W	04.00
1390AA	ELBOW		1	3744155				KNC	0752	78		3492780010	W	04.00
1400AA	CLAMP HOSE		2	2494772				KNC	0752	78		3492780014	W	04.00
1410AB	SCR		2	9422232				KNC	0752	78				20.1.3
1420AB	CLIP		2	3441477				KNC	0752	78		3492780020	W	04.00
1430AB	COCK FUEL HSE	14 IN	*	K15041				KNC	0752	78				20.1.6
1440AB	CLIP FUEL HSE		2	9151100				KNC	0752	78				20.1.9
1450AB	BOLT CLIP		2	9422332				KNC	0752	78				20.1.1

5000

7E06561

MODEL APPLICATION
ELECTRICAL CONVENIENCE ITEMS
UPC DESCRIPTION

MODEL YEAR 75
ORIGIN DATE 110119
LAST CHG DATE 111006
LAST CHG CODE 111R
70 1K3 A 24
BK U " C. GRP PAGE

REFERENCE

PRODUCT DESCRIPTION MANUAL ASSEMBLY INFORMATION

ITEM	QTY	PART OR TOOL DESCRIPTION	ADD'L DATA	QTY	PART NUMBER	ENGINE CODES	SERIES	BOV BFM	ITEM RESTRICTION	DEPARTMENTS		CHANGE		LOGIC CODE	FUNCTION CODE	ADDITIONAL CODES	LINE NOS.
										#1	2/STA	CD	AUTH				
1860AB		WA CLIP BOLT		4	2436165				KNC	0752	78						04090 20.33
1A70AB		NUT		2	9422301				KNC	0752	78						04100 20.35

1 2 3 4 5	F.M.V.B.B.	REFERENCE	ZE06581	MODEL APPLICATION ELECTRICAL CONVENIENCE ITEMS UPC DESCRIPTION	MODEL YEAR 1978 ORIGIN DATE 770719 LAST CHG. DATE 771003 LAST CHG. CODE CORR. 70 1K3 A 25 DK U. P. G. GRP PAGE
-----------------------	------------	-----------	---------	--	---

IT	PART OR TOOL DESCRIPTION	ADD'L DATA	QTY	PART NUMBER	ENGINE CODES	SERIES	BOY	ITEM RESTRICTION	DEPARTMENTS		CHANGE		LOGIC CODE	FUNCTION CODE	ADDITI CODES	FNA	LINE NOS
									#1	2/STA	CD	AUTH					
AA01014	LABEL		*	16653				KNC	0752								1.8
AA02014	FUEL HOSE INSTL		*	14311				KNC	0752								1.10
AA04014	MTR GEN BAT&CBL		*	18155				KNC	0752								1.12
AA05014	LUB CHT		*	MD10298				KNC	0752								1.14
AA06014	LABEL		*	16653				KNC	0782								1.16
AA07014	FUEL HOSE INSTL		*	14311				KNC	0782								1.18
AA08014	MTR GEN BAT&CBL		*	18155				KNC	0782								1.20
AA09014	LUB CHT		*	MD10298				KNC	0782								1.22
AA10014	LUB CHT		*	MD10298				KNC	0754								1.24

1 2 3 4 5 6 7 8 9 10 11 12 13 14 15 16 17 18 19 20 21 22 23 24 25 26 27 28 29 30 31 32 33 34 35 36 37 38 39 40 41 42 43 44 45 46 47 48 49 50 51 52 53 54 55 56 57 58 59 60 61 62 63 64 65 66 67 68 69 70 71 72 73 74 75 76 77 78 79 80 81 82 83 84 85 86 87 88 89 90 91 92 93 94 95 96 97 98 99 100	ZE06583		MODEL YEAR 1978
	MODEL APPLICATION		ORIGIN DATE 770729
	ELECTRICAL CONVENIENCE ITEMS		LAST CHG. DATE
REFERENCE	VPC DESCRIPTION	70 1K3 C 1	PK U. P. C. SNR PAGE



PRODUCT DESCRIPTION MANUAL
ASSEMBLY INFORMATION

GMT 1081 REV. 8/78

ITEM	PART OR TOOL DESCRIPTION	ADD'L DATA	QTY	PART NUMBER	ENGINE CODES	SERIES	NOV. BRN.	ITEM RESTRICTION	DEPARTMENTS		CHANGE		LOGIC CODE	FUNCTION CODE	ADDITIO CODES	VA	LINE NOS
									#1	2/STA	CD	AUTH					
0010AA	SET ASM M/G		1	2010790				KNC	0752	83			3495830008	M			1-24
0020AA	HARN M/G BAT		1	12002615				KNC	0782	40			3495400065	M			1-25
0030AA	METER M/G HR		1	2028734				KNC	0782	41			3495410175	M			1-30
0040AA	SCR METER ATCH		3	9425903				KNC	0782	41							1-32
0050AA	BRKT METER		1	2009110				KNC	0782	41			3495410180	M			1-34
0060AA	SCREW		2	9418566				KNC	0782	41							1-34
0070AA	WASHER		2	9419892				KNC	0782	41							1-35
0080AA	WASHER		2	103319				KNC	0782	41							1-40
0090AA	NUT		2	9419912				KNC	0782	41							1-42
0100AA	BATTERY M/G		1	1980400				KNC	0782	41			3495410185	M			1-44
0110AA	TRAY M/G BAT		1	2005494				KNC	0782	41			3495410190	M			1-46
0120AA	SCREW		4	9418901				KNC	0782	41							1-48
0130AA	RETAINER BAT		1	533308				KNC	0782	41			3495410195	M			1-50
0140AA	BOLT		2	3826708				KNC	0782	41							1-52
0150AA	WASHER		2	9418304				KNC	0782	41							1-54
0160AA	NUT		2	142745				KNC	0782	41							1-56
0170AA	TAG M/G DANGER		1	791685				KNC	0754	83			3495870070	M			1-58
0180AA	LUB HARN CONN		*	9985009				KNC	0754	83							2-1
0200AA	HOSE FUEL INLT		1	9436889				KNC	0752	78			3495780030	M			2-3
0210AA	ELBOW HOSE		1	3744155				KNC	0752	78			3495780035	M			2-5
0220AA	CLAMP		2	2494772				KNC	0752	78			3495780040	M			2-6
0230AA	SCREW		2	9422232				KNC	0752	78							2-7
0240AA	CLIP		2	3941477				KNC	0752	78			3495780045	M			2-9
0250AA	LOOM		*	R15041				KNC	0752	78							2-11
0260AA	CLIP		2	5151108				KNC	0752	78			3495780050	M			2-13

1	REFERENCE	ZE06583	MODEL YEAR 1978
2			ORIGIN DATE 770729
3			LAST CHG. DATE
4			LAST CHG. CODE
5			
F.M.V.B.E.		MODEL APPLICATION ELECTRICAL CONVENIENCE ITEMS UPC DESCRIPTION	70 1K3 C 2 BK V. P. C. QRP PAGE

PRODUCT DESCRIPTION MANUAL

ASSEMBLY INFORMATION

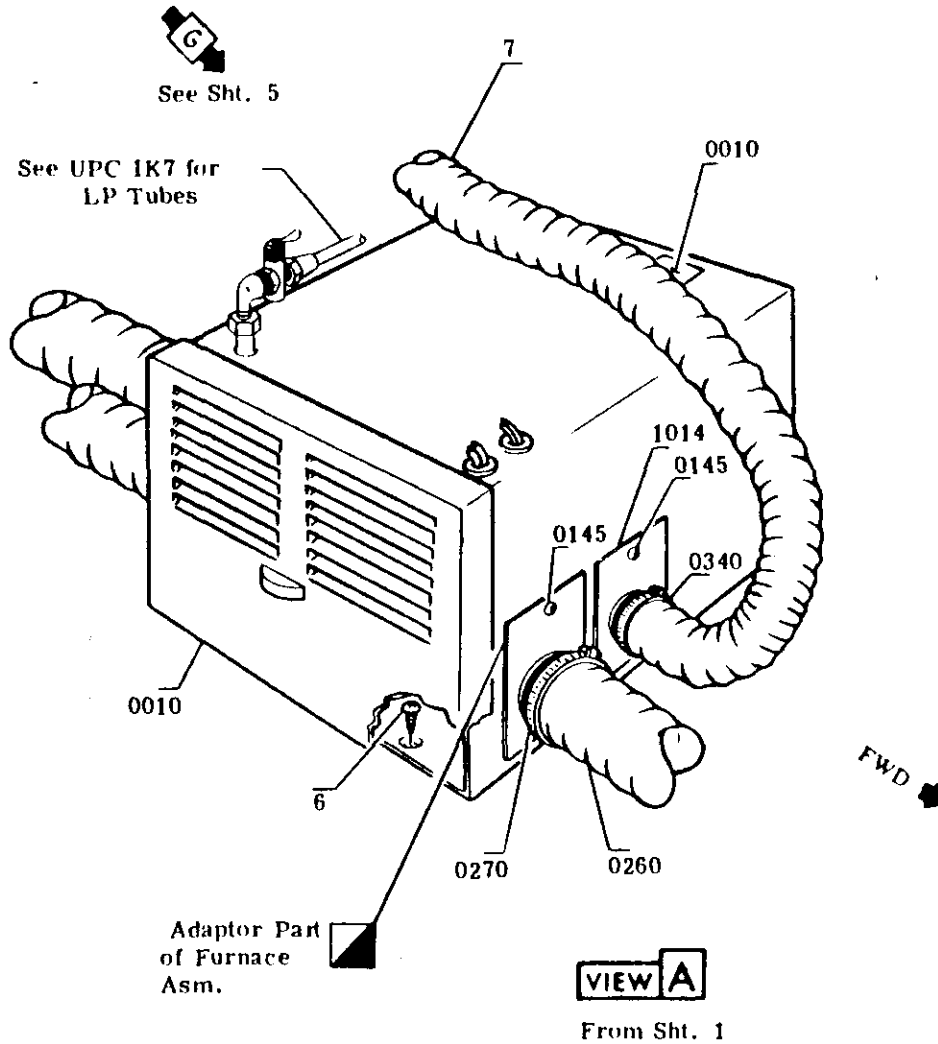
ITEM	LQ	M	PART OR TOOL DESCRIPTION	ADD'L DATA	QTY	PART NUMBER	ENGINE CODES	SERIES	BOY	ITEM RESTRICTION	DEPARTMENTS		CHANGE		LOGIC CODE	FUNCTION CODE	ADDITIO. CODES	FNA	LINE NOS	
											#1	2/STA	CD	AUTH						
0270AA			BOLT		2	9422332				KNC	0752	78								2-1
0280AA			WASHER		4	2436165				KNC	0752	78								2-1
0290AA			NUT		2	9422308				KNC	0752	78								2-2

1 2 3 4 5 6 7 8 9 10 11 12 13 14 15 16 17 18 19 20 21 22 23 24 25 26 27 28 29 30 31 32 33 34 35 36 37 38 39 40 41 42 43 44 45 46 47 48 49 50 51 52 53 54 55 56 57 58 59 60 61 62 63 64 65 66 67 68 69 70 71 72 73 74 75 76 77 78 79 80 81 82 83 84 85 86 87 88 89 90 91 92 93 94 95 96 97 98 99 100	ZE06583										MODEL YEAR 1978								
	REFERENCE										ORIGIN DATE 770729								
	ELECTRICAL CONVENIENCE ITEMS										LAST CHG. DATE								
UPC DESCRIPTION										LAST CHG. CODE									
										70 183 C 3									
										BK V. P. G. 977 PAGE									



□ ITEM REFERENCE ◇ PROCESS MATERIAL △ TORQUE ▣ PART OF OR EXISTING

GMT 922 1/75



DYNAMIC (Installation) - LBS	MAINT (Inspection) - LBS	DATE	SYM	REVISION	AUTH	DR	CR	DEPARTMENTS	'78 TRUCK	BOOK 70
△		7-5-77		ORIGINAL RELEASE	4/2000	ST		R THOMSON	TITLE	
△		12-17	1	REVISED & REDRAWN	5/31	SB			FURNACE & ADAPTER ASM.	
△									ZEO6581	
△									NAME HEATING	DIVISION/UPC
△									& ROOF	1K4
△									MT. A C	SHEET 2

PRODUCT DESCRIPTION MANUAL

ASSEMBLY INFORMATION

GMT 10MT REV. 8/75

GM TRUCK & COACH

ITEM	PART OR TOOL DESCRIPTION	ADD'L DATA	QTY	PART NUMBER	ENGINE CODES	SERIES	BODY	ITEM RESTRICTION	DEPARTMENTS		CHANGE		LOGIC CODE	FUNCTION CODE	ADDITIONAL CODES	FNA	LINE NOS
									#1	2/STA	CD	AUTH					
AA0101K	FURNACE DUCT INSTL		*	L9475													1.8
AA0201K	RF VENT INSTL		*	L6429					0784								1.9
AA0301K	RF A/C INSTL		*	L6406					0784								1.11
AA0401K	BLANKET LOCKER MODULE		*	L6653					0784								1.15
AA0501K	HTR PNL MODULE		*	L6654					0784								1.16
AA0601K	BATH MODULE HT		*	MD13999					0784								1.20
AA0602K	HTLT CUTOUT																1.21
AA0701K	THERM INSTL		*	L6968					0784								1.23
AA0801K	HARN INSTL RF		*	L6970				CNO/CNU	0782								1.25
AA0802K	VENT								0782								1.26
AA0901K	RF PNL FRM		*	MD12785					0784								1.27
AA0902K	DRILL INSTL								0784								1.28
AA1001K	VENT SEALS		*	L9552					0784								1.32
AA1101K	HTG SYSTEM CODE		*	L9541					0784								1.33
AA1102K	DRWG								0784								1.34
AA1201K	DRILLING INSTRU		*	MD16093					0784								1.36
AA1401K	HARN INSTL RF		*	L6970				CNO/CNU	0786								1.38
AA1402K	VENT								0786								1.39

F.M.V.S.S.	REFERENCE	7E065P1 MODEL APPLICATION HEATING & ROOF MOUNTED AIR CONDITIONING UPC DESCRIPTION	MODEL YEAR 1978 ORIGIN DATE 770723 LAST CHG DATE LAST CHG CODE TO 1K4 A 1 BK U P C DMP PAGE
------------	-----------	--	--

TRUCK BODY REPAIR MANUAL
ASSEMBLY INFORMATION

GMT 1061 REV. 5/78

GM TRUCK & COACH

ITEM	SEC	PART OR TOOL DESCRIPTION	ADD'L DATA	QTY	PART NUMBER	ENGINE CODES	SERIES	BOY BRK	ITEM RESTRICTION	DEPARTMENTS		CHANGE		LOGIC CODE	FUNCTION CODE	ADDITIONAL CODES	LINE NOS
										#1	2/STA	CD	AUTH				
0010AA		RNACE ASM		1	2028332					0784	63	57315		0000635020			1.43
0012AA		ADAPTER FURN		1	2028117					0784	63			0000635025			1.43
0014AA		ADAPTER FURN		1	2028118					0784	63			0000635025			1.43
0020AA		DECAL		1	791125					0784	63			0000635030			1.43
0110AA		SCREW		2	9414724					0784	63						1.43
0145AA		SC DUCTPLEN		4	9416136					0784	63						1.53
0147AA		INSUL FURN BKG		1	792762					0784	63			0000635040			1.53
0150AA		BACKFR INT/EXH		1	2030323					0784	63			3436635045			1.53
0170AA		ADHESIVE		8	8860959					0784	63						1.53
0172AA		SEAL HTR OILT		1	2029830				-APN	0784	63			3436635050			1.53
0180AA		REGISTER A/DUC		4	791725				APN	0784	63	349143		3436635050			2.12
0190AA		SCREW		8	9421945				-APN	0784	63						2.04
0190AB		SCREW		6	9421945				APN	0784	63						2.00
0192AA		SCREW		2	155853				APN	0784	63						2.08
0195AA		SCREW		2	189948				APN	0786	79						2.10
0196AA		NUT		2	446952				APN	0786	79						2.12
0197AA		WA		2	131014				APN	0784	63						2.14
0198AA		NUT		2	134530				APN	0784	63						2.16
0200AA		TRANSITION ASM		1	791751				-APN	0784	63			3436635055			2.16
0200AB		TRANSITION ASM		1	2029350				APN	0784	63			3494635055			2.16
0252AA		SCREW		2	9414711				-APN	0784	63						2.20
0260AA		TUBE		1	2028116				-APN	0784	63			3436635060			2.23
0260AB		TUBE		1	799816				APN	0784	63			3494635060			2.24
0270AA		CLAMP		2	2465839					0784	63			0000635065			2.26
0280AA		TRANSITION ASM		1	791741					0784	63			0000635070			2.28
0290AA		PANEL A/DUC		1	799816				APN	0784	63			3494635075			2.30

F.M.V.S.S.	REFERENCE	7FOA5R1	MODEL YEAR 1978
			ORIGIN DATE 770723
			LAST CHG. DATE
			LAST CHG. CODE
		HEATING/ROOF MOUNTED AIR CONDITIONING	70 JK4 A 2
		UPC DESCRIPTION	PK U.P.C. OR 108

ITEM	PART OR TOOL DESCRIPTION	ADD'L DATA	QTY	PART NUMBER	ENGINE CODES	SERIES	REV	ITEM RESTRICTION	DEPARTMENTS		CHANGE CD	AUTH	LOGIC CODE	FUNCTION CODE	ADDITIONAL CODES	A	LINE NO.
									01	B/STA							
0310	SCREW		3	156833				APN	0724	63							2.32
0320AA	WASHER		3	791040				APN	0784	63							2.34
0330AA	TUBE		1	791737					0724	63			0000635080				2.35
0340AA	CLAMP		1	2468878					0784	63			0000635085				2.36
0360AA	BLOWER ASM		1	791724					0784	63			0000635090				2.37
0370AA	ADAPTER ASM		1	2001975					0724	63			0000635095				2.38
0380AA	SCREW		4	9425903					0784	63							2.41
0390AA	SCREW		2	9417278					0784	63							2.42
0400AA	SEAL		*	8860971					0724	63							2.43
0410AA	VENT ASM PWR		1	2005298				CNU	0782	39			3450390082	M			2.51
0420AA	VENT ASM FRT		1	2005298				CNQ	0782	39			3446390087	M			2.52
0430AA	VENT ASM BATH		1	2005298					0782	39			0000390092	M			2.53
0440AA	VENT ASM FRT		2	2005297				-CNU/CNU/CNV	0782	39			3445390095	M			2.54
0440AB	VENT ASM FRT		1	2005297				CNQ/CNV	0782	39			1386390095	M			2.55
0450AA	FRAME ASM		1	2000390					0786	76			0000765022	M			3.1
0460AA	FRAME ASM		2	2005296				-CNU/CNU/CNV	0786	76			3445765025	M			3.2
0460AB	FRAME ASM		1	2005296				CNU/CNV	0786	76			1386765025	M			3.3
0470AA	FRAME ASM		1	2000390				CNQ	0786	76			3446765027	M			3.4
0470AB	FRAME ASM		2	2000390				CNU	0786	76			3450765027	M			3.5
0480AA	CRANK ASM		6	2005290				-CNV	0786	76			3449765030	M			3.6
0480AB	CRANK ASM		4	2005290				CNV	0786	76			3444765030	M			3.7
																	3.8
0500AA	SCREW		8	9422165				-CNV	0786	76							3.9
0500AB	SCREW		4	9422165				CNV	0786	76							3.10
0510AA	SCREW		51	273492				-CNV	0782	39							3.11
0510AB	SCREW		34	273492				CNV	0782	39							3.12
0520AA	SUPT GRILLE		4	2004743				-CNV	0782	39			3449390070	M			3.13
0520AB	SUPT GRILLE		4	2004743				CNV	0782	39			3444390070	M			3.14

ZFO65R1

MODEL YEAR 1978
ORIGIN DATE 770723
LAST CHG. DATE
LAST CHG. CODE

MODEL APPLICATION
HEATING/ROOF MOUNTED AIR CONDITIONING
UPC DESCRIPTION

70 1K4 A 3
BK V. P. C. 97 198

PRODUCT DESCRIPTION MANUAL

ASSEMBLY INFORMATION

GMT 1081 REV. 8/78

ERIC TRINCK & COMPANY

ITEM	SEQ	PART OR TOOL DESCRIPTION	ADD'L DATA	QTY	PART NUMBER	ENGINE CODES	SERIES	BODY	ITEM RESTRICTION	DEPARTMENTS		CHANGE		LOGIC CODE	FUNCTION CODE	ADDITIONAL CODES	FNA	LINE NOB
										#1	2/STA	CD	AUTH					
0522AA		SUPT RE VENT		4	2030156				L-6429	0784	69			0000	695030			3.23
0524AA		INSERT BTH LNR		1	2030159				L-6429	0784	69							3.25
0530AA		VENT ASM		3	790369					0782	39			0000	390075			3.27
0540AA		GASKET		3	790087					0782	39			0000	390080			3.29
0550AA		RIVFT		36	792846					0782	39							3.31
0560AA		SEALER		*	8861174				-CNV	0782	39							3.33
0562AA		XIT FURN VENT		1	2027946					0784	63			C000	635105			3.35
0564AA		SCREW		8	161933					0784	63							3.37
0570AA		SUPT FAN BLD HTG		1	2001977					0784	63			0000	635100			3.39
0580AA		BOLT		2	9419004					0784	63							3.41
0590AA		WASHER		2	9419892					0784	63							3.43
0600AA		NUT		2	9422273					0784	63							3.45
0610AA		SCREW		3	274998					0784	63							3.47
0620AA		TB PLNM-BLC		1	2013092					0784	63			C000	635110			3.49
0630AA		CLAMP		2	2468878					0784	63			0000	635115			3.51
0640AA		TB BATH HT DUCT		2	791737					0784	63			0000	635120			3.53
0650AA		CONN		1	2001658					0784	63			0000	635125			3.55
0655AA		CLAMP		2	791156					0784	63			C000	635130			3.57
0660AA		CLAMP		2	2468878					0784	63			0000	635135			3.59
0665AA		SCREW		2	9414713					0784	63							4.2
0670AA		TRANSITION		1	2001663					0784	63			0000	635140			4.4
0680AA		CLAMP		1	2468878					0784	63			0000	635145			4.6
0690AA		OUTLET		1	2001976					0784	63			0000	635150			4.8
0700AA		TAPE		*	8860160					0784	63	56R67						4.10

ZE06581

MODEL YEAR 1978
 ORIGIN DATE 770723
 LAST CHG. DATE
 LAST CHG. CODE

MODEL APPLICATION
 HEATING&ROOF
 UPC DESCRIPTION

UNITED AIR CONDITIONING

70 1K4 / 4
 BK U. P. C OR. AGE

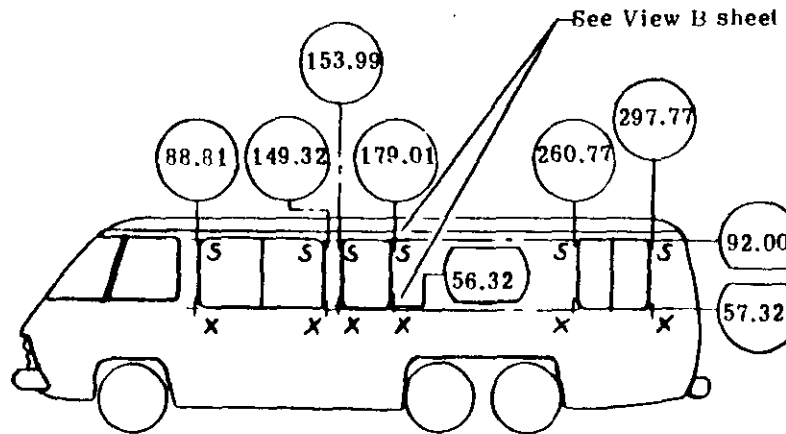
F M V S S

REFERENCE

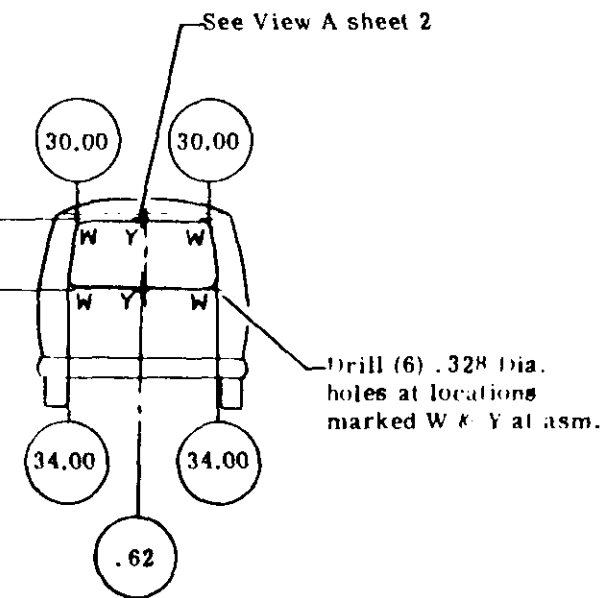
ITEM	S E Q	PART OR TOOL DESCRIPTION	ADD'L DATA	QTY	PART NUMBER	ENGINE CODES	SERIES	BDY BRK	ITEM RESTRICTION	DEPARTMENTS		CHANGE CD	AUTH	LOGIC CODE	FUNCTION CODE	ADDITIONAL CODES	LINE NOS
										#1	2/STA						
0710AA		SCREW		4	9422957					0784	63						4.12
0720AA		NUT		4	9422242					0784	63						4.14
0730AA		TAPE		4	834796					0784	63						4.16
0740AA		A/C ASM RF M/G		1	2033916				CNL/CNV	0782	39	038813669	390085			00050	4.18
0740AB		A/C ASM RF M/G	UPI	1	2014090				CNV	0782	39	60019				00075	4.19
0745AA		A/C ASM RF M/G		1	2033919				CNV	0782	39	038813444	390090			00050	4.21
0750AA		BOX ASM		1	721026				CNL	0786	76		3444765020				4.23
0750AB		BOX ASM		2	721026				CNV	0786	76		3444765020				4.24
0760AA		SCREW BOX		1	9407608				CNL	0786	76						4.26
0760AB		SCREW BOX		2	9407608				CNV	0786	76						4.27
0770AA		NUT		2	120361				CNL	0786	76						4.29
0770AB		NUT		4	120361				CNV	0786	76						4.30
0780AA		SCREW		8	9420721				CNL	0782	39						4.32
0780AB		SCREW		16	9420721				CNV	0782	39						4.33
0790AA		SCREW		2	9420721				CNL	0782	39						4.35
0790AB		SCREW		4	9420721				CNV	0782	39						4.36
0800AA		SCREW		4	9421966				CNL	0786	76						4.38
0800AB		SCREW		8	9421966				CNV	0786	76						4.39
0805AA		EULI RF MT		1	2029289				CNL/CNV	0786	76						4.41
0810AA		TB INT A/DUCT		1	2028115					0784	63			0000635155		M	4.43
0820AA		CLAMP		2	2465839					0784	63			0000635160		M	4.45
0830AA		TRANSITION ASM		1	791751					0784	63			0000635165		M	4.47
0840AA		TB RR A/DUCT		1	2028114					0784	63			0000635170		M	4.49

1 2 3 4 5 6 7 8 9 10 11 12	ZE06581	MODEL YEAR 1978
	MODEL APPLICATION	ORIGIN DATE 770723
	HEATING&ROOF MOUNTED AIR CONDITIONING	LAST CHG. DATE 770831
F M V S S	REFERENCE	LAST CHG. CODE 3881
		70 1K4 A 5 BK U. P. C. G- PAGE

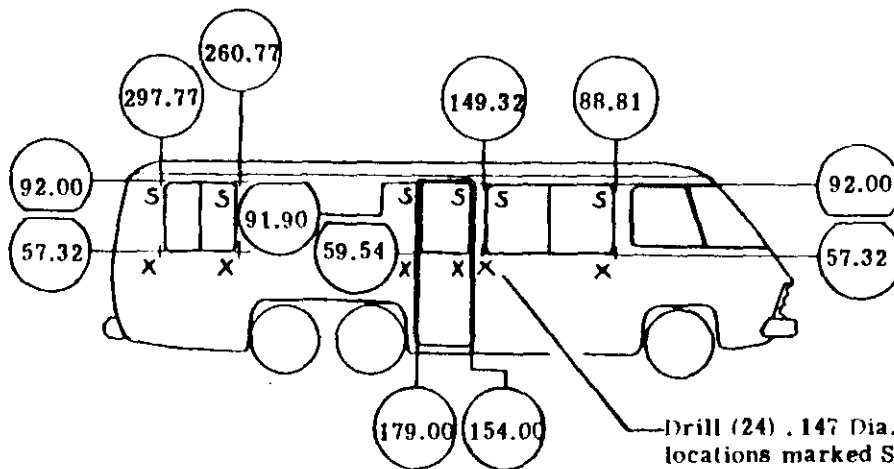
GMT 922 1/75



LEFT SIDE



Drill (6) .328 Dia. holes at locations marked W & Y at asm.



RIGHT SIDE

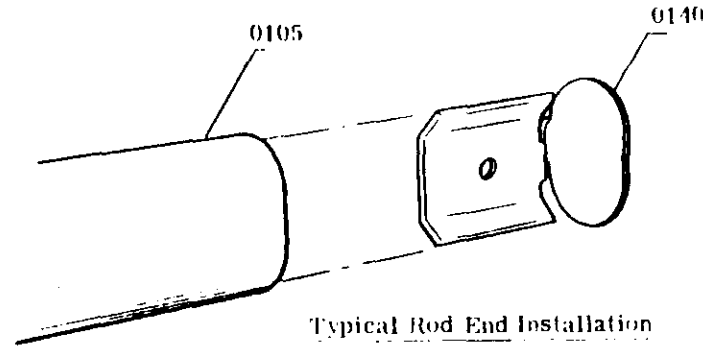
NOTE Item 0320 - Drape Set Asm. not illustrated.

NOTE All dimensions are reference only.

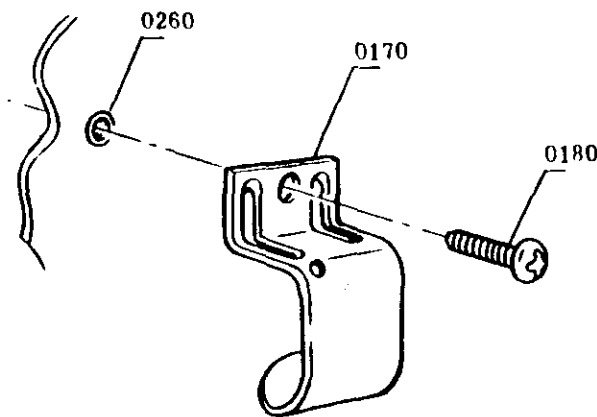
DYNAMIC (Installation) - LBS	HAZARD (Inspection) - LBS	DATE	SYM	REVISION	AUTH	DR	CR	DEPARTMENTS	TITLE
		1-21-77		ORIGINAL RELEASE	4/800				78 TRUCK BOOK 70
									DRAPE TRACK LOCATIONS ZE06581 W 641, 697
									NAME: DECORATIVE COVERING
									DIVISION/UPC: 1K5
									SHEET: 1



GMT 922 1/75

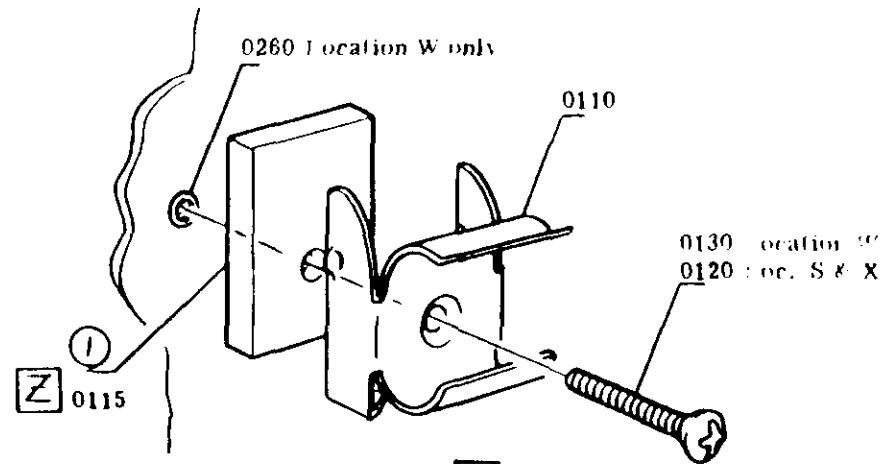


Typical Rod End Installation



VIEW A From Sht. 1

Upper Bracket shown
Rotate 180° for Lower Bracket
installation at locations marked
Y on sheet 1.



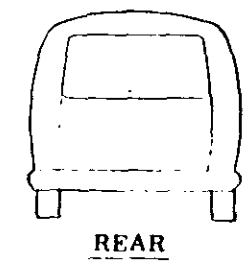
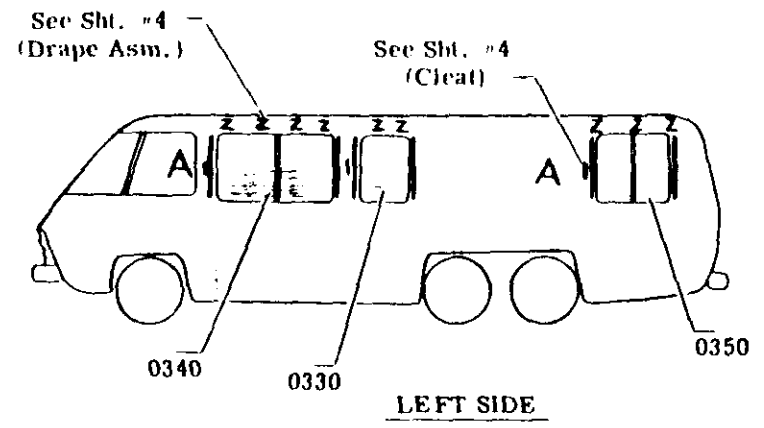
VIEW B From Sht. 1

Lower Bracket shown
Rotate 180° for Upper Bracket
installation at locations marked
S, W & X. See sheet 1

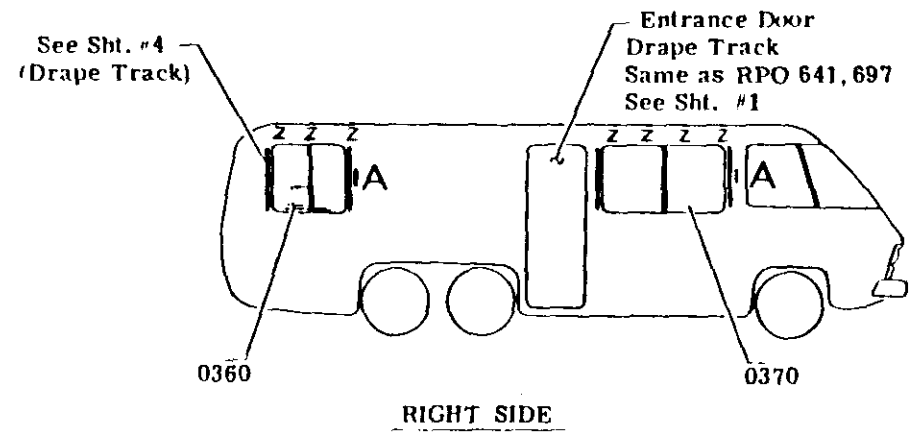
Z Lower Corners
Door Sill Only

DYKABK (Installation) - LBS	HAND (Inspection) - LBS	DATE	SYM	REVISION	AMT	DR	CR	DEPARTMENTS	'78 TRUCK	BOOK 70
▲		4/1/77		ORIGINAL RELEASE	4204				TITLE	
▲		8/18/77	1	ITEM 0115 ADDED	03201				BRACKET - ROD SUPPORT	
▲									ZF06581 W 641.697	
▲									NAME	
▲									DECORATIVE COVERING	
▲									DIVISION/UPC	
									1K5	
									SHEET	
									2	

GMT 92 & 1/75

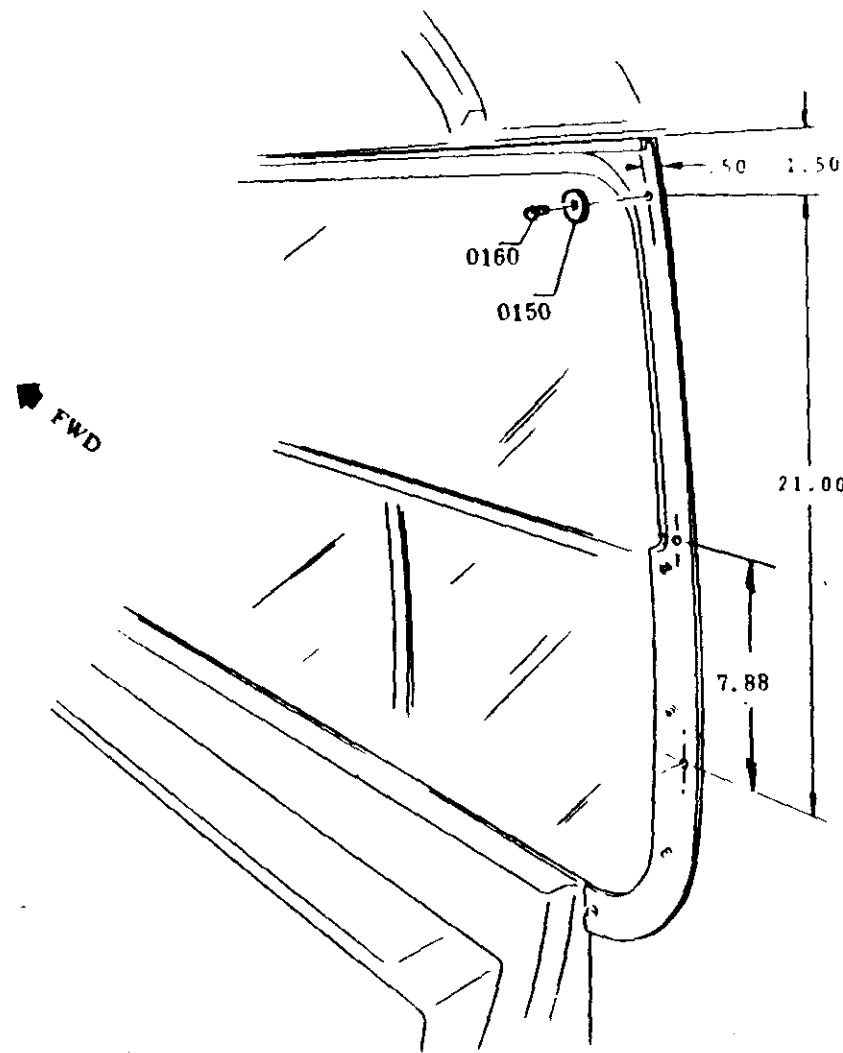


Rear Drapery Track
Same as RPO 641, 697
See Sht. #1



DYNAMIC (Installation) - LBS	STATIC (Inspection) - LBS	DATE	SYM	REVISION	AUTH	DR	CR	DEPARTMENTS	78 TRUCK	BOOK 70
▲		6/2/77		ORIGINAL RELEASE	4/7/80				TITLE	
▲									DRAPERY TRACK LOCATIONS	
▲									ZEO6581 W 685, 698	
▲									NAME	
▲									DECORATING COVERING	
									DIVISION/LPC	
									1K5	
									SHEET	
									3	

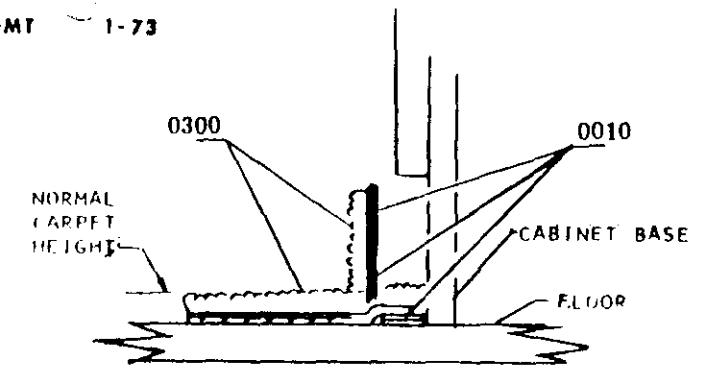
GM 1-73



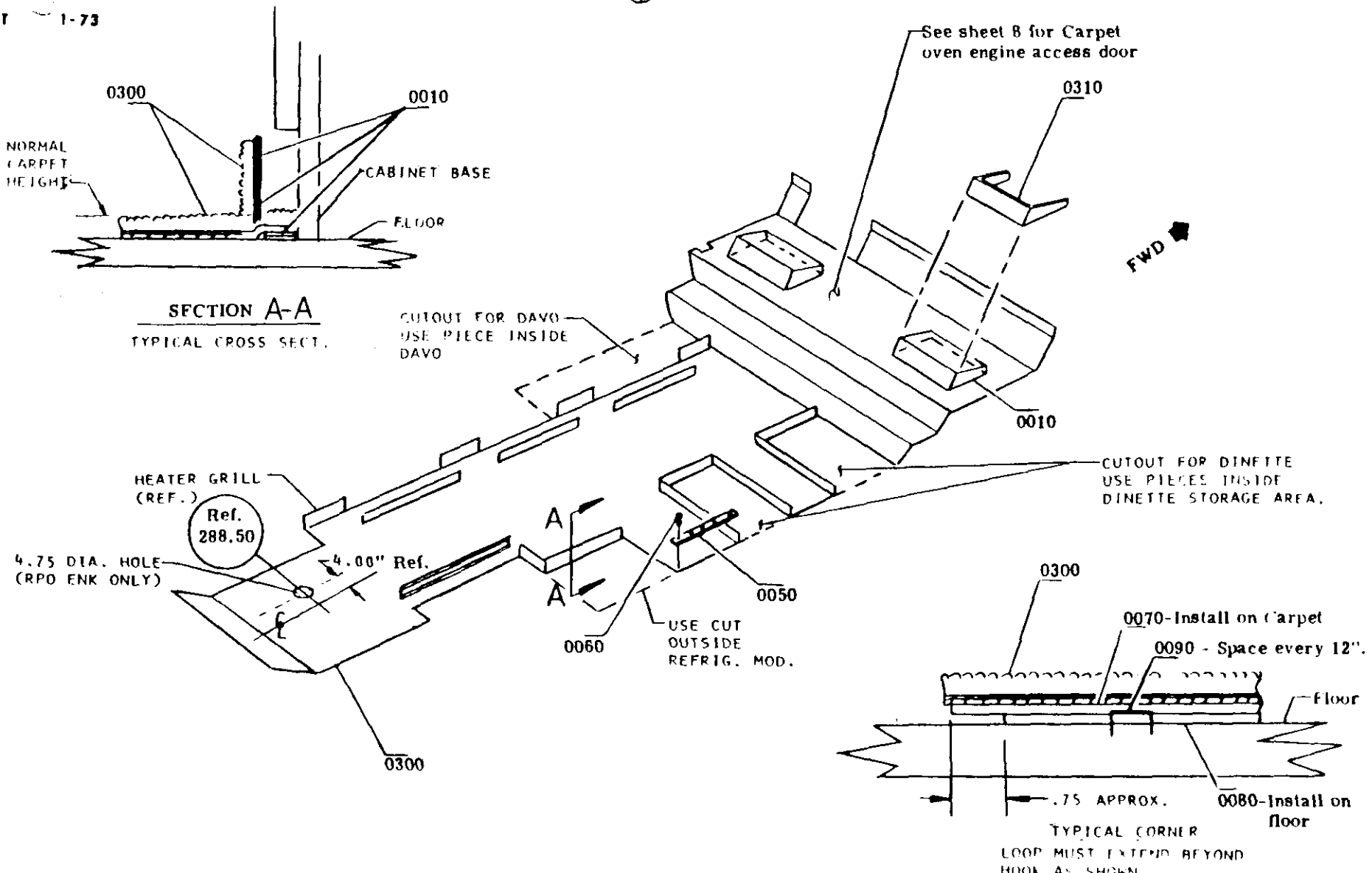
NOTE All dimensions shown are reference.
 RH shown
 LH sym. opposite

DYNAMIC (Inspection) - LBS	WAND (Inspection) - LBS	DATE	SYM	REVISION	AUTH	DR	CR	DEPARTMENTS	TITLE	BOOK
		6.17		ORIGINAL RELEASE	UTCC				'78 TRUCK CURTAIN VELCRO TAB (FRONT SIDE WINDOW) ZE06581	70
									NAME DECORATIVE COVERING	
									DIVISION 1K5	SHEET 5

GMT 1-73



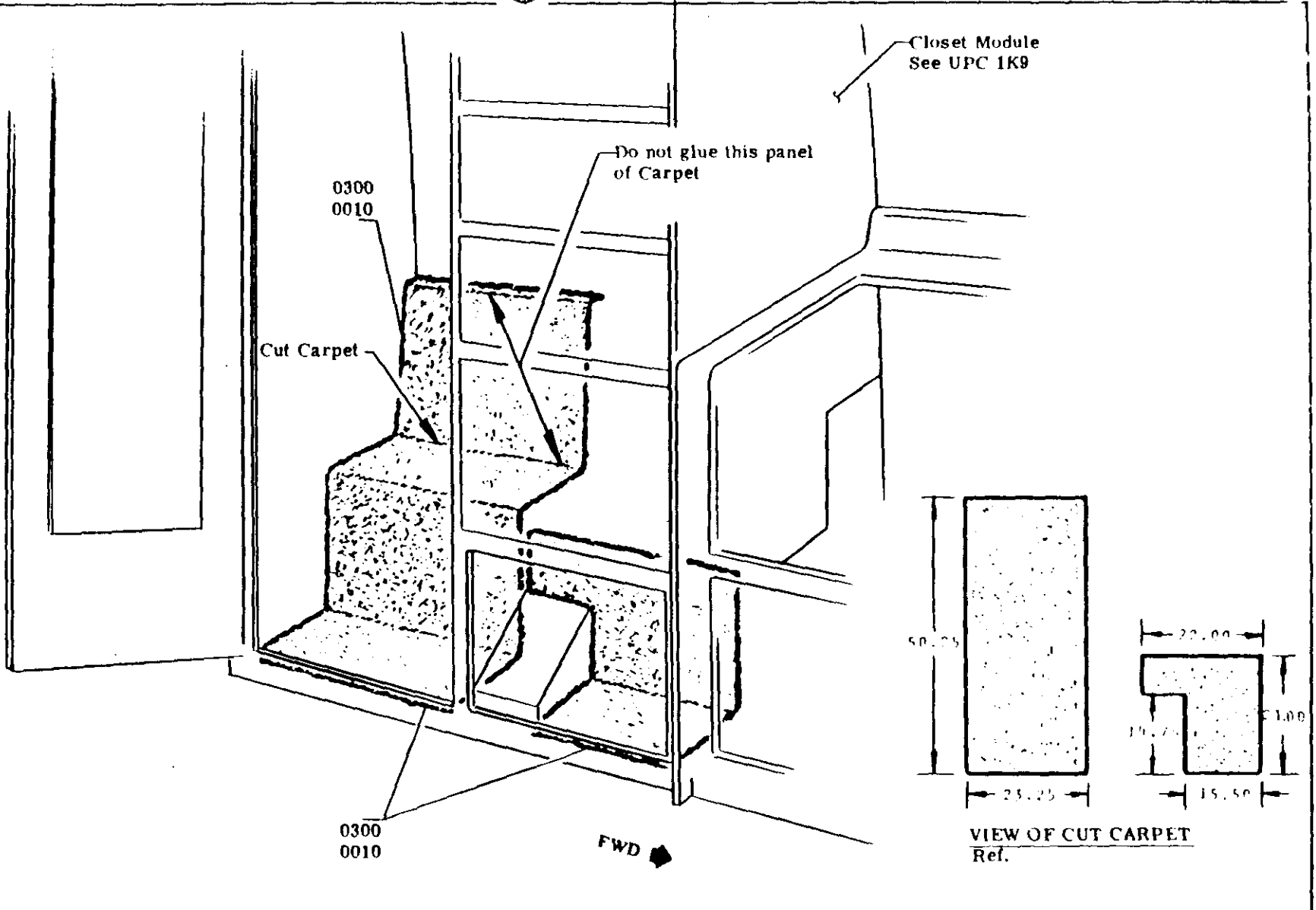
SECTION A-A
TYPICAL CROSS SECT.



DYNAMIC (Installation) - LBS	MANUAL (Inspection) - LBS	DATE	SYM	REVISION	AUTH	DR	CR	DEPARTMENTS
△		2/77		ORIGINAL RELEASE	1/1000	B		TAC/ME/...
△								
△								
△								
△								
△								

'78 TRUCK		BOOK 70
TITLE		
CARPET ZED6581		
NAME	DIVISION	SHEET
DECORATIVE COVERING	1K5	7

GM. 1-73



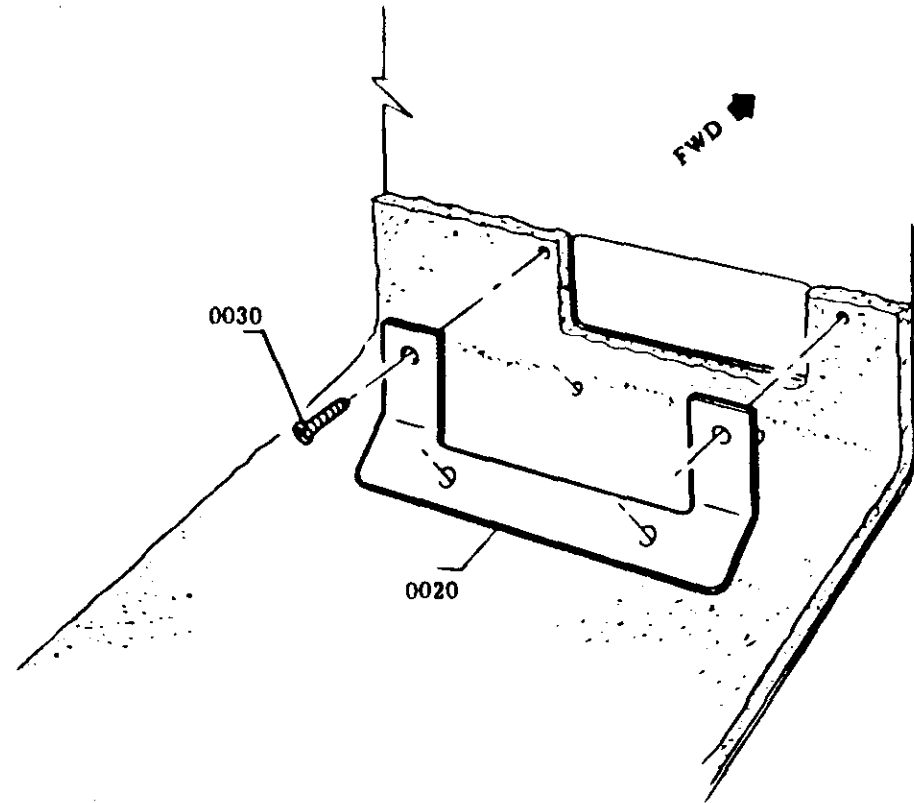
VIEW OF CUT CARPET
Ref.

DYNAMIC (Installation) - LBS	HAND (Inspection) - LBS	DATE	SYM	REVISION	AUTH	DR	CR	DEPARTMENTS	TITLE	BOOK
		6-11-77		ORIGINAL RELEASE	4/1001	J	MC		'78 TRUCK CARPET (CLOSET MODULE) ZE06581	70
									NAME DECORATIVE COVERING	
									DIVISION 1K5	SHEET 10

GMT 922 1-73

NOTE

SCREW HEADS TO BE PAINTED
AFTER INSTALLATION TO MATCH
RETAINER PLATES.



DYNAMIC Installation—LBS	HAND Inspection—LBS	DATE	SYM	REVISION	AUTH	DR	CR	DEPARTMENTS	TITLE	BOOK
		2-21-77		ORIGINAL RELEASE	H. D. C.				'78 TRUCK CARPET RETAINERS (HEATER OPENING)	BOOK 70
									NAME DECORATIVE COVERING	
									DIVISION 1K5	SHEET 11

**PRODUCT DESCRIPTION MANUAL
ASSEMBLY INFORMATION**

GMT 1001 REV. 5/78

GENE TRUCK & CARCO

ITEM	S E Q	P C Y	RT OR TOOL DESCRIPTION	ADD'L DATA	Q T Y	PART NUMBER	ENGINE CODES	SERIES	BOY BRN	ITEM RESTRICTION	DEPARTMENTS		CHANGE		LOGIC CODE	FUNCTION CODE	ADDITIONAL CODES	FN.	LINE NOS
											#1	2/STA	CD	AUTH					
AA01014			DRAPE TRACK INST		*	L6638					0784								1.18
AA02014			CPT INSTL		*	L6652					0784								1.19
AA02024			CPT INSTL		*	L6652			641/697/698		0784								1.19
AA03014			RR DRAPE TRK		*	L6794					0784								1.19
AA03024			CURT								0784								1.19
AA04014			CURT VELCRO TAB		*	L6660					0784								1.19
AA04024			INSTL FRT SI WDC								0784								1.19
AA05014			CPT RET AT HTR		*	L6877					0784								1.19
AA05024			OPENING								0784								1.20
AA06014			CLOSET MODULE		*	L6791					0784								1.22
AA06024			EPR INSTL								0784								1.23
AA07014			CLOSET MODULE		*	L6791			641/697/698		0784								1.23
AA07024			EPR INSTL								0784								1.23
AA08014			FRT RF CAP INR		*	L2997					0784								1.24
AA08024			PANEL								0784								1.24
AA09014			CPT INSTL		*	L6909					0784								1.31
AA09024			CPT INSTL		*	L6909			APN/641/697/698		0784								1.32
AA10014			MOVEN WD DRAPERY		*	L9398			685/698		0784								1.34
AA11014			DRAPE TRACK INST		*	L6638					0786								1.36
AA12014			CPT INSTL		*	L6652					0786								1.38
AA12024			CPT INSTL		*	L6652			641/697/698		0786								1.39
AA13014			RR DRAPE TRK		*	L6794					0786								1.41
AA13024			CURT								0786								1.42
AA14014			CURT VELCRO TAB		*	L6660					0786								1.44
AA14024			INSTL FRT SI WDC								0786								1.45
AA15014			CPT RET AT HTR		*	L6877					0786								1.47
AA15024			OPENING								0786								1.48
AA16014			CLOSET MODULE		*	L6791					0786								1.50
AA16024			EPR INSTL								0786								1.51
AA17014			CLOSET MODULE		*	L6791			641/697/698		0786								1.53
AA17024			EPR INSTL								0786								1.54

ZE065R1

MODEL YEAR 1978
ORIGIN DATE 770723
LAST CHG. DATE
LAST CHG. CODE

MODEL APPLICATION
MOTOR HOME DECORATIVE COVERING
UPC DESCRIPTION

70 1K5 A 1
BK U. P. C. GMP OE

F.M.V.S.S.

REFERENCE



PRODUCT DESCRIPTION MANUAL
ASSEMBLY INFORMATION

PART OR TOOL DESCRIPTION	ADD'L DATA	QTY	PART NUMBER	ENGINE CODES	SERIES	BOY BRN	ITEM RESTRICTION	DEPARTMENTS		CHANGE		LOGIC CODE	FUNCTION CODE	ADD'L CODES	FNA	LINE NOS
								#1	Z/STA	CD	AUTH					
AA19014 FRT RF CAP INR		*	L2997					0786								1.56
AA18024 PANEL								0786								1.57
AA19014 CPT INSTL		*	L6909					0786								1.59
AA19024 CPT INSTL		*	L6909				APN/641/697/698	0786								2.1
AA20014 WOVEN WD DRAPERY		*	L9398				685/698	0786								2.3
0010AA ADHESIVE		*	8861194					0784	62							2.9
0020AA PLATE HTR YR		1	719576					0784	62		0000625048			M		2.11
0030AA SCREW		4	9425069					0784	62							2.13
0040AA SHT POLYETHYLENE		*	8860690					0786	84							2.15
0050AA HOLDING DR		1	790059					0786	84		0000845010			M		2.17
0060AA SCREW		5	9414714					0786	84							2.19
0070AA TAPE		*	8861188					0786	84							2.20
0080AA TAPE		*	8861189					0786	84							2.21
0090AA STAPLE		*	663269					0786	84							2.22
0095AA BAR SPLICE ROD		2	2007258				-698/685	0786	85		0266855045			M		2.23
0100AA COUPLING ROD		4	2007300				-698/685	0786	85		0266855050			M		2.24
0105AA ROD SET ASM		1	791839				-698/685	0786	78		0266785050			M		2.25
0110AA BRACKET DRAPE		32	791180				-698/685	0784	64		0266645045			M		2.33
0110AB BRACKET DRAPE		12	791180				698/685	0784	64		0269645045			M		2.34
0115AA SPCR BRKT		2	2030532					0784	64		0000645050			M		2.36
0120AA SCREW BRKT		28	9417311				-698/685	0784	64							2.38
0120AB SCREW BRKT		8	9417311				698/685	0784	64							2.39
0130AA SCREW BRKT		4	456326					0784	66							2.41
0140AA END ROD CAP		20	791176				-698/685	0786	78		0266785055			M		2.43
0140AB END ROD CAP		8	791176				698/685	0786	78		0269785005			M		2.44

1 2 3 4 5 I M V	REFERENCE	ZE06581	MODEL YEAR 1978
		MODEL APPLICATION MOTOR HOME DECORATIVE COVERING	ORIGIN DATE 770723
		UPC DESC:	LAST CHG DATE
			LAST CHG CODE
			70 1K A 2
			BR M P GMP PAGE

PRODUCT DESCRIPTION MANUAL

ASSEMBLY INFORMATION

GMT 1081 REV. 5/76

GENE TRUCK & COACH

ITEM	EQUIP	PART OR TOOL DESCRIPTION	ADD'L DATA	QTY	PART NUMBER	M O D	ENGINE CODES	SERIES	BODY BRN	ITEM RESTRICTION	DEPARTMENTS		CHANGE		LOGIC CODE	FUNCTION CODE	ADDITIONAL CODES	FNA	LINE NOS
											#1	2/STA	CD	AUTH					
0150AA		FASTENER		6	791803						0786	75			0000755005				2.44
0160AA		RIVET		6	9423122						0786	75							2.44
0170AA		RETAINER		2	792165						0786	66			0000665005				2.50
0180AA		SCREW		2	159666						0786	85							2.52
0190AA		FASTENER		4	105507						0786	75			0000755010				2.54
0200AA		RIVET		4	668290						0786	75							2.56
0210AA		NUT TIE BACK		2	791804						0786	75							2.56
0220AA		TRACK		1	791661						0786	75			0000755015				3.1
0230AA		STOP ASM		2	791660						0786	75			0000755020				3.3
0240AA		RIVET		9	716846						0786	75							3.5
0250AA		SCREW		2	159666						0786	75							3.7
0260AA		SLEEVE ASM		6	799378						0786	85			0000855055				3.9
0270AA		CARPET ASM FRT		1	2017043				641CAPN		0786	64			3524845015				3.11
0270AB		CARPET ASM FRT		1	799807				697CAPN		0786	64			3525845015				3.11
0270AC		CARPET ASM FRT		1	2001452				698CAPN		0786	64			3526845015				3.11
0280AA		CARPET ASM RR		1	2017045				641CAPN		0786	64			3524845020				3.15
0280AB		CARPET ASM RR		1	799809				697CAPN		0786	64			3525845020				3.15
0280AC		CARPET ASM RR		1	2001454				698CAPN		0786	64			3526845020				3.15
0290AA		ADHESIVE		*	8861194				APN		0786	64							3.19
0300AA		CARPET INTER		*	8861580				641		0786	64			3477845025				3.21
0300AB		CARPET INTER		*	8861132				697		0786	64			3461845025				3.21
0300AC		CARPET INTER		*	8861388				698		0786	64			3484845025				3.21
0300AD		CARPET INTER		*	8861732				685		0786	64			6037845025				3.21
0310AA		CARPET STP RSK		2	2017047				641		0786	64			3477845030				3.26
0310AB		CARPET STP RSK		2	799806				697		0786	64			3461845030				3.26
0310AC		CARPET STP RSK		2	2001451				698		0786	64			3484845030				3.26
0310AD		CARPET STP RSK		2	2027965				685		0786	64			6037845030				3.26
0320AA		SET ASM DRAPER		1	2022736				641		0786	80			3477805158				3.31
0320AC		SET ASM DRAPER		1	2029067				698		0786	80			3484805158				3.31
0320AE		SET ASM DRAPER		1	2027935				685		0786	80			6037805158				3.31
0320AF		SET ASM DRAPER		1	2025187				697		0786	80			3461805158				3.31

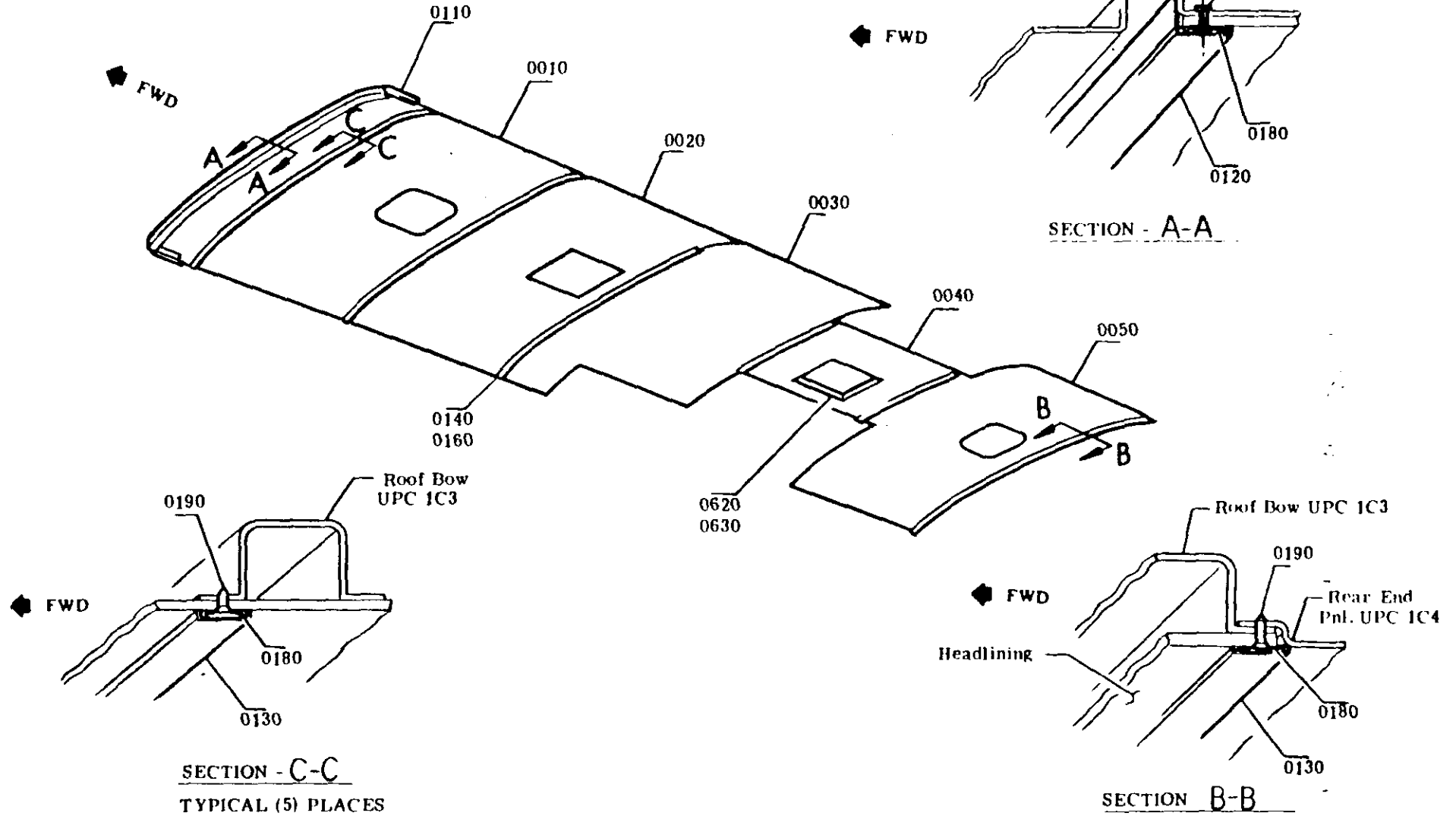
A B C D E F G H I J K L M N O P Q R S T U V W X Y Z	2E06581										MODEL YEAR 1976									
	MODEL APPLICATION										ORIGIN DATE 770723									
	MOTOR HOME DECORATIVE COVERING										LAST CHG DATE									
UPC DESCRIPTION										LAST CHG CODE										
REFERENCE										70 1K5 3										
										BK U P C. ONP PAGE										

ASSEMBLY INFORMATION

ITEM NO	PART OR TOOL DESCRIPTION	ADDL DATA	QTY	PART NUMBER	M O D	ENGINE CODES	SERIES	BDY BRK	ITEM RESTRICTION	DEPARTMENTS		CHANGE AUTH	LOGIC CODE	FUNCTION CODE	ADDITIONAL CODES	LINE NOS
										#1	2/STA					
0330AA	UKAPE ASM SI WDU		1	2027948				685		0786	78	REPRC6037785180				3.30
0330AB	UKAPE ASM SI WDU		1	2029072				698		0786	78	REPRC3484785180				3.31
0340AA	UKAPE ASM SI WDU		1	2027947				685		0786	78	REPRC6037785185				3.34
0340AB	UKAPE ASM SI WDU		1	2029070				698		0786	78	REPRC3484785185				3.40
0350AA	UKAPE ASM SI WDU		1	2027949				685		0786	78	REPRC6037785190				3.44
0350AB	UKAPE ASM SI WDU		1	2029073				698		0786	78	REPRC3484785190				3.45
0360AA	UKAPE ASM SI WDU		1	2029069				685		0786	78	REPRC6037785195				3.45
0360AB	UKAPE ASM SI WDU		1	2029074				698		0786	78	REPRC3484785195				3.46
0370AA	UKAPE ASM SI WDU		1	2029068				685		0786	78	REPRC6037785200				3.48
0370AB	UKAPE ASM SI WDU		1	2029071				698		0786	78	REPRC3484785200				3.49
0380AA	TRAIL		10	2027946				685/698		0784	65		0269655100			3.51
0390AA	SCREW		50	9437204				685/698		0784	65					3.52
0400AA	SCREW		16	9414739				698		0784	65					3.55
0410AA	CLEAT KIT		5	2029322				698		0784	65		3484655105			3.57

1 M V S S	REFERENCE	ZE06581	MODEL YEAR 1978
		MODEL APPLICATION MOTOR HOME DECORATIVE COVERING	ORIGIN DATE 770723
		UPC DESCRIPTION	LAST CHG DATE 770913
			LAST CHG CODE REPRC
			70 1K5 A 4
			BK U. P. C. GRP PAGE

GMT 922 1/75



DYNAMIC (Installation) - LBS	HAND (Inspection) - LBS	DATE	SYM	REVISION	AUTH	DR	CR	DEPARTMENTS	TITLE	DIVISION/UPC	SHEET
▲		6/11/75		ORIGINAL RELEASE	A7000	RJ	SP	H. GRIFFIN	'78 TRUCK	1K6	4
▲									HEADLINING		
▲									ZK06581		
▲									INTERIOR		
▲									FINISH & FITTINGS		

PRODUCT DESCRIPTION MANUAL

ASSEMBLY INFORMATION

DMT 1081 REV. 8/78



ITEM	E	Q	PART OR TOOL DESCRIPTION	ADD'L DATA	QTY	PART NUMBER	ENGINE CODES	SERIES	BODY STY	ITEM RESTRICTION	DEPARTMENTS		CHANGE		LOGIC CODE	FUNCTION CODE	ADDITIONAL CODES	FNA	LINE NOS.
											#1	2/STA	CD	AUTH					
AA03014			RR LWR INTR TR			L6858					0784								1.8
AA04014			BATH DR DRIP			L6446					0784								1.10
AA04024			MLDG INSTL								0784								1.11
AA05014			BATH DR SEAL			L6644					0784								1.13
AA05024			INSTL								0784								1.14
AA06014			SI INTR TR INST			L7858				APP/APN	0784								1.16
AA07014			DAVD/BUNK/ST			L6619				APP	0784								1.18
AA07024			INSTL								0784								1.19
AA08014			FLR AUX DRILL			L6797				APP	0784								1.21
AA08024			SNIV CHAIRS								0784								1.22
AA08034			HEADLINER INST			L9560					0784								1.23
0010A1			LINER NO 1			2027968				-APN/APP	0786	74			3600745005				1.27
0010A2			LINER NO 1			795751				APN&APP	0786	74			3603745005				1.28
0010A8			LINER NO 1			795753				APN-APP	0786	74			3604745005				1.29
0010A3			LINER NO 1			795757				APP-APN	0786	74			3605745005				1.30
0020A1			LINER NO 2			795742				-APN/APP/CNL/CNV	0786	74			0278745010				1.32
0020A2			LINER NO 2			795744				APN&APP&ENL-CNL/CNV	0786	74			0280745010				1.33
0020A2			LINER NO 2			795736				APN&APP&CNL/CNV	0786	74			0283745010				1.34
0020A4			LINER NO 2			795746				APN-APP/CNL/CNV	0786	74			0284745010				1.35
0020A3			LINER NO 2			795738				APN&CNV/CNL-APP	0786	74			0288745010				1.36
0020A4			LINER NO 2			2027967				CNL/CNV	0786	74			3669745010				1.37

1		ZE06581	
2			
3			
4			
5			
F.M.V.B.S.	REFERENCE	MODEL APPLICATION INTERIOR FINISH & FIT (CEILING & WALLS)	MODEL YEAR 1978 ORIGIN DATE 770725 LAST CHG. DATE LAST CHG. CODE 70 IK A 1 BK U. P. C. GMP PAGE

PRODUCT DESCRIPTION MANUAL

ASSEMBLY INFORMATION

QNT 1061 REV. 5/78

GMC TRUCK & COACH

QTY	PART OR TOOL DESCRIPTION	ADD'L DATA	QTY	PART NUMBER	ENGINE CODES	SERIES	REV	ITEM RESTRICTION	DEPARTMENTS		CHANGE		LOGIC CODE	FUNCTION CODE	ADDITIONAL CODES	FNA	LINE NOS
									#1	2/STA	CD	AUTH					
	LINER NO 2		1	795749				APP-APN/CNL/CNV	0786	74			0290745010	M			1.40
	LINER NO 2		1	795741				APP&CNL/CNV-APN	0786	74			0291745010	M			1.41
	LINER NO 3		1	790391					0786	74			0000745015	M			1.43
	LINER NO 4		1	790392					0786	74			0000745020	M			1.45
	LINER NO 5		1	790394				-CNV	0786	74			3449745025	M			1.47
	LINER NO 5		1	795500				CNV	0786	74			3444745025	M			1.48
	MOLDING RF RL		2	790871					0786	74			0000745030	M			1.50
	MOLDING RF RL		1	794991					0786	74			0000745035	M			1.52
	MOLDING RF RL		1	2004742					0786	74			0000745040	M			1.54
	CLIP HOLDING LH		60	3722217					0786	74			0000745045	M			1.56
	CLIP HOLDING RH		60	3722217					0786	74			0000745050	M			1.58
	MOLDING HD EG		2	791195					0786	74			0000745055	M			2.1
	MOLDING RET		1	791829					0786	74			0000745060	M			2.3
	MOLDING RET		4	715542					0786	74			0000745065	M			2.5
	MOLDING RET		2	677725					0786	74			0000745070	M			2.7
	MOLDING RF TR		2	2492543					0786	74			0000745075	M			2.9
	RETAINER MLDG		2	792173					0786	74			0000745080	M			2.11
	RETAINER MLDG		2	792290					0786	74			0000745085	M			2.13
	RETAINER MLDG		5	792172					0786	74			0000745090	M			2.15
	SCREW		51	9423437					0786	74							2.17
	RIVET		10	716846					0786	74							2.19
	MLDG ENTR DR		1	791835					0784	65			0000655110	M			2.21
	MLDG ENTR DR		1	791836					0784	65			0000655115	M			2.23
	MLDG ENTR DR		1	791837					0784	64			0000645055	M			2.25
	MLDG ENTR DR		1	791838					0784	64			0000645060	M			2.27

1 2 3 4 5		ZEO6581	MODEL YEAR 1978 ORIGIN DATE 770725 LAST CHG. DATE LAST CHG. CODE
1 MVS	REFERENCE	MODEL APPLICATION INTERIOR FINISH & FIT (CEILING & WALLS) UPC DESCRIPT	70 1K6 A 2 BK U. P. C. RP PAGE

PRODUCT DESCRIPTION MANUAL

ASSEMBLY INFORMATION

GMT 1081 REV. 5/78

GM TRUCK & COACH

ITEM	E Q	M	PART OR TOOL DESCRIPTION	ADD'L DATA	Q T Y	PART NUMBER	ENGINE CODES	SERIES	BOY SIR	ITEM RESTRICTION	DEPARTMENTS		CHANGE		LOGIC CODE	FUNCTION CODE	ADDITIONAL CODES	FNA	LINE NOS	
											#1	2/STA	CD	AUTH						
024	AA		SCREW			8 9436828						0784	64							2.29
025	AA		WASHER			8 140252						0784	64							2.31
026	AA		ADHESIVE			* 8860489						0784	64							2.33
027	AA		SCREW			2 9425803						0784	65							2.35
028	AA		WASHER			1 140252						0784	65							2.37
029	AA		SCREW			2 9423437						0784	64							2.39
030	AA		PANEL			1 2007940						0784	64		0000	645065				2.41
031	AA		PANEL			1 2007941						0784	64		0000	645070				2.43
032	AA		PANEL			1 791828						0784	64		0000	645075				2.45
033	AA		PANEL			1 791815						0784	65		0000	655120				2.47
034	AA		PANEL INTR SI			2 2007936						0784	64		0000	645080				2.49
035	AB		PANEL INTR SI LH			1 2007933						0784	64		0000	645085				2.51
035	AB		PANEL INTR SI RH			1 2007935						0784	64		0000	645090				2.53
036	AA		PANEL INTR SI			2 2007932						0784	64		0000	645095				2.55
037	AA		PANEL INTR SI			2 2007939						0784	64		0000	645100				2.57
040	AA		PANEL INTR SI			1 2007942						0784	65		0000	655125				2.59 3.1
041	AA		PANEL INTR SI			1 2007948						0784	64		3487	645105				3.3
041	AB		PANEL INTR SI			1 2007949				-APP APP		0784	64		3451	645105				3.4
042	AA		PANEL INTR SI			1 2028030						0784	64		3436	645125				3.6
042	AB		PANEL INTR SI			1 2007927				-APN APN		0784	64		3494	645125				3.7
042	AA		PANEL INTR SI			1 2028031						0784	64		3436	645130				3.9
042	AB		PANEL INTR SI			1 2007944				-APN APN		0784	64		3494	645130				3.10
043	AA		PANEL INTR SI			1 2007950						0784	64		0000	645110				3.12
044	AA		PANEL INTR SI			1 2007929						0784	64		3451	645115				3.14
044	AB		PANEL INTR SI			1 2007930				APP -APP		0784	64		3487	645115				3.15
045	AA		PANEL INTR SI			1 2007946						0784	64		0000	645120				3.17

1 2 3 4 5 F.M.V.B.S.	REFERENCE										7E06581					MODEL YEAR 1978 ORIGIN DATE 770725 LAST CHG DATE LAST CHG CODE				
	MODEL APPLICATION INTERIC FINISH & FIT (CEILING & WALLS)										70 1' A 3					EX U. P. QRP PAGE				

PRODUCT DESCRIPTION MANUAL

ASSEMBLY INFORMATION

GMT 1061 REV. 6/78



ITEM	PART OR TOOL DESCRIPTION	ADD'L DATA	QTY	PART NUMBER	M O D	ENGINE CODES	SERIES	BODY ORK	ITEM RESTRICTION	DEPARTMENTS		CHANGE		LOGIC CODE	FUNCTION CODE	ADDITI CODEL	PNA	LINE NOS
										#1	2/STA	CD	AUTH					
0460AA	MLOG LWR WALL		2	2004720						0784	62			0000625055				3.19
0470AA	MLOG WALL PNL		1	2004721						0784	62			0000625060				3.21
0480AA	MLOG WALL PNL		1	2004718						0784	62			0000625065				3.23
0490AA	MLOG WALL PNL		1	2004719						0784	62			0000625070				3.25
0500AA	SCREW		40	9437204						0784	62							3.27
0510AA	SCREW		1	9437204						0784	64							3.29
0520AA	SCREW		5	9437204					-APP	0784	65							3.31
0570AB	SCREW		3	9437204					APP	0784	65							3.32
0530AA	BLOCK WOOD		1	792189						0786	78			0000785060				3.34
0535AA	BLOCK WOOD		1	2031229						0786	78			0000785065				3.36
0540AA	BLOCK WOOD		1	792190						0786	78			0000785070				3.38
0545AA	BLOCK WOOD		1	2031230						0786	78			0000785075				3.40
0550AA	BLOCK WOOD		1	792177						0786	78			0000785080				3.42
0560AA	PANEL LH LWR		1	792185						0786	78			0000785085				3.44
0570AA	PANEL LH LWR		1	792187						0786	78			0000785090				3.46
0580AA	PANEL RR LWR		1	792188						0786	78			0000785095				3.48
0590AA	PANEL RR LWR		1	792197						0786	78			0000785100				3.50
0600AA	SCREW		27	162407						0786	78							3.52
0610AA	SCREW		4	162532						0786	78							3.54
0620AA	SUPT ELECT BOX		2	792164						0786	74			0000745095				3.56
0630AA	ADHESIVE		4	8860955						0786	74							3.58
0680AA	PANEL INTR WALL		1	2001117					APP	0786	74			3451745100				4.1
0690AA	PANEL INTR WALL		1	2001090					APP	0786	74			3451745105				4.3
0700AA	MLOG PANEL		1	2001116					APP	0786	74			3451745110				4.5
0710AA	PANEL GAL LWR		1	2000262					VNW808	0786	74			1135745115				4.7

ZE06581

MODEL APPLICATION
INTERIOR FINISH & FIT (CEILING & WALLS)
UPC DESC. N

MODEL YEAR 1978
ORIGIN DATE 770725
LAST CHG DATE
LAST CHG CODE
70 1K4 A 4
BK U.P. GMP PAGE

REFERENCE

PRODUCT DESCRIPTION MANUAL

ASSEMBLY INFORMATION

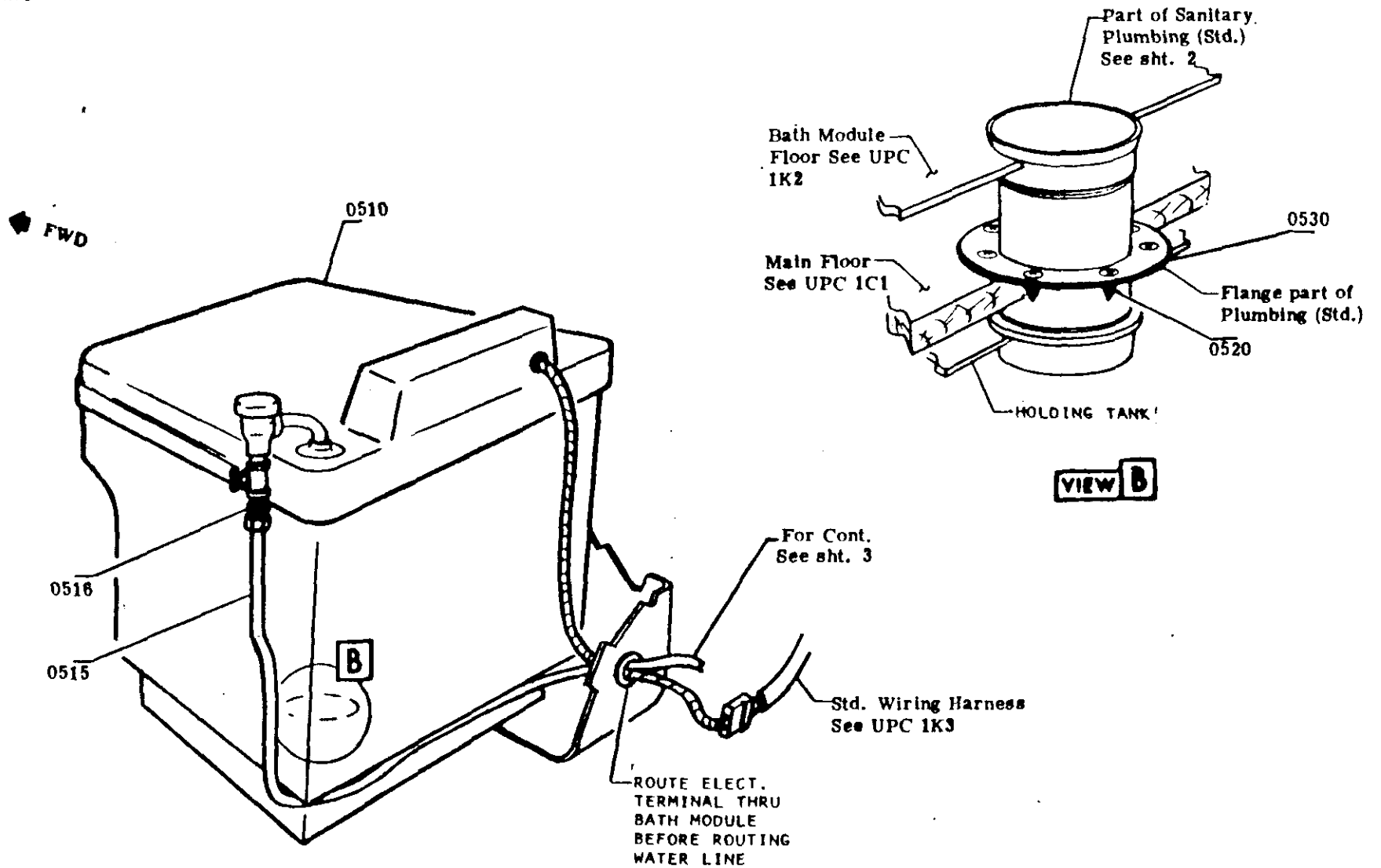
GMT 1001 REV. 5/78

GENE TRUCK & CRACK

ITEM	QTY	PART OR TOOL DESCRIPTION	ADD'L DATA	QTY	PART NUMBER	ENGINE CODES	SERIES	BOX	ITEM RESTRICTION	DEPARTMENTS		CHANGE		LOGIC CODE	FUNCTION CODE	ADDITIO. CODES	FNA	LINE NOS.
										#1	2/STA	CD	AUTH					
0720AA		SCREW		5	9431915				VNW808	0786	74							4.9
0730AA		PANEL INTR LWR		1	2001097					0786	74			0000	745120			4.13
0740AA		PANEL INTR LWR		1	2001097					0786	74			0000	745125			4.13
0750AA		PANEL INTR LWR		1	2001099				-APN	0786	74			3436	745130			4.15
0750AB		PANEL INTR LWR		1	2001098				APN	0786	74			3494	745130			4.16
0760AA		PANEL INTR LWR		1	2001100				-APN	0786	74			3436	745135			4.18
0760AB		PANEL INTR LWR		1	2001120				APN	0786	74			3494	745135			4.19
0770AA		MOLDING		1	2001116					0786	74			0000	745140			4.21

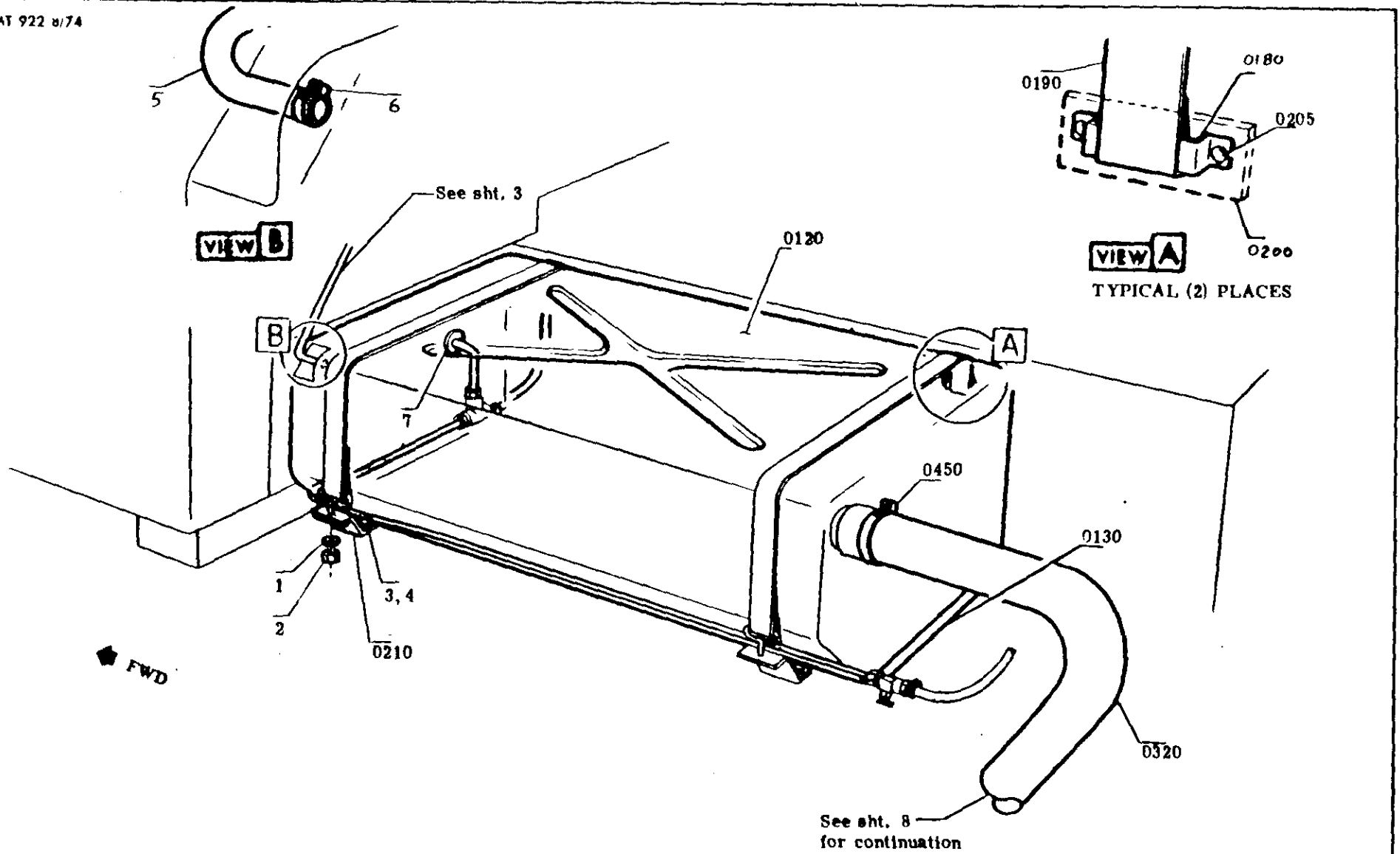
1 2 3 4 5 F.M.V.B.	REFERENCE	ZE06581	MODEL YEAR 1978
		MODEL APPLICATION	ORIGIN DATE 770725
		INTERIOR FINISH & FIT (CEILING & WALLS)	LAST CHG. DATE
	UPC DESCRIPTION		LAST CHG. CODE
			70 IF A 5
			SK U. P. L. GRP PAGE

GMT 922 1/75



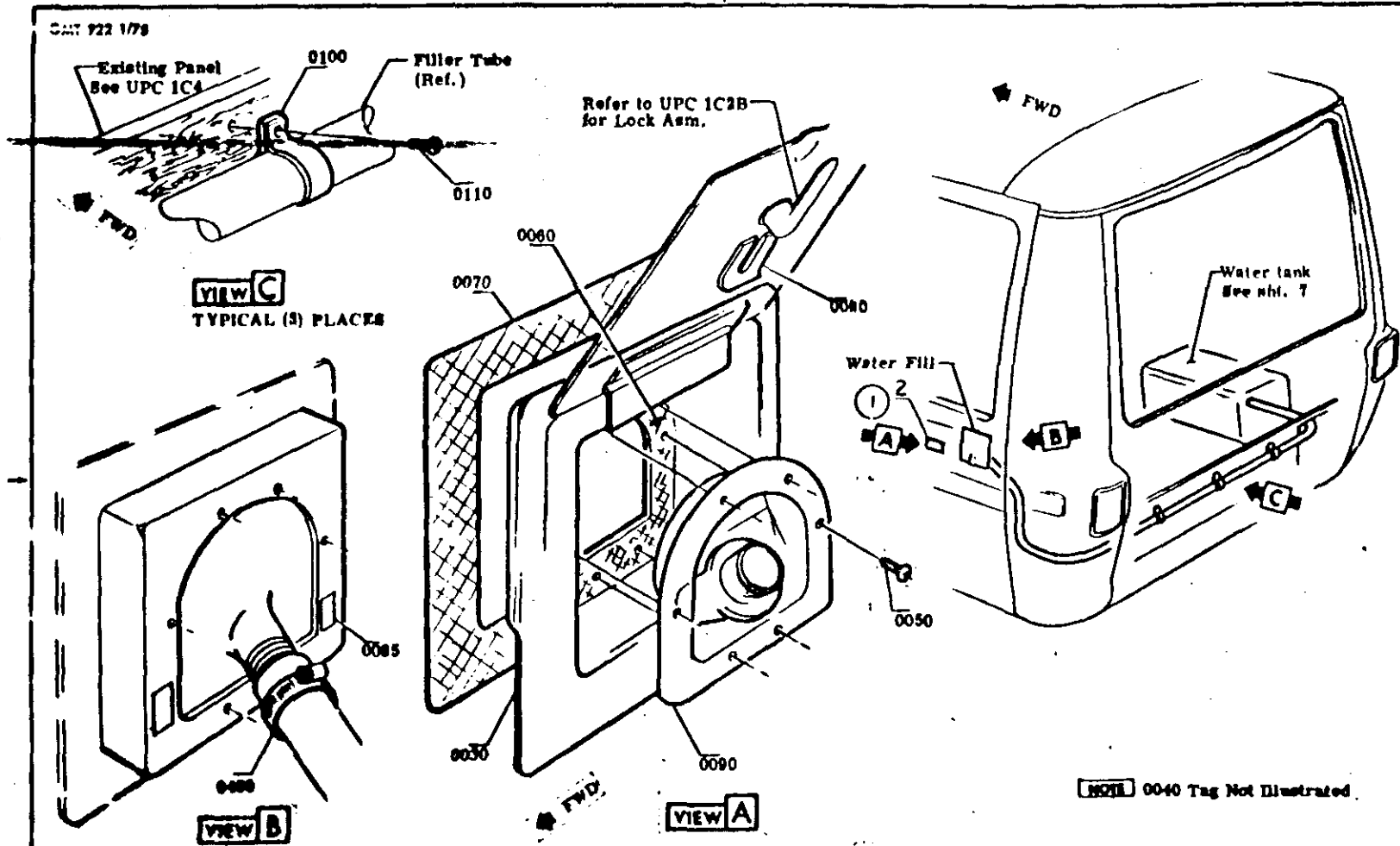
DYNAMIC (Installation) - LBS	STATIC (Inspection) - LBS	DATE	SYM	REVISION	AUTH	DR	CR	DEPARTMENTS	TRUCK	BOOK
▲		7/17/77		ORIGINAL RELEASE					78 TRUCK	BOOK 70
▲									TITLE FRESH WATER PLUMBING BATH MODULE W/AM	
▲									NAME MOTOR HOME PLUMBING	DIVISION/UPC 110
▲									SHEET 4	

GMT 922 01/74



BY (Installation) - LBS	MADE (Inspection) - LBS	DATE	SYM	REVISION	AUTH	DR	CK	DEPARTMENT	TRUCK	BOOK
△		3-7-77		ORIGINAL RELEASE		GS			78	70
△										
△										
△										
△										
△										
NAME	MOTOR	DIVISION/UPC	SHEET							
	FRONT	MC7	7							
	PLUMBING		7							

□ ITEM REFERENCE ◇ PROCESS MATERIAL △ TORQUE ▣ PART OF OR EXISTING



0030	2012753
0040	2032557
0050	9431915
0060	R53056
0070	2005011
0080	9728247
0085	8860660
0090	2804698
0100	791156
0110	2414713
0450	2465813
8	2082587

REV	DATE	DESCRIPTION	BY	CHKD	DEPARTMENT
1	1-1-77	ORIGINAL RELEASE			
2	1-1-77	ITEM 2 ADDED			

78 TRUCK BOOK 70

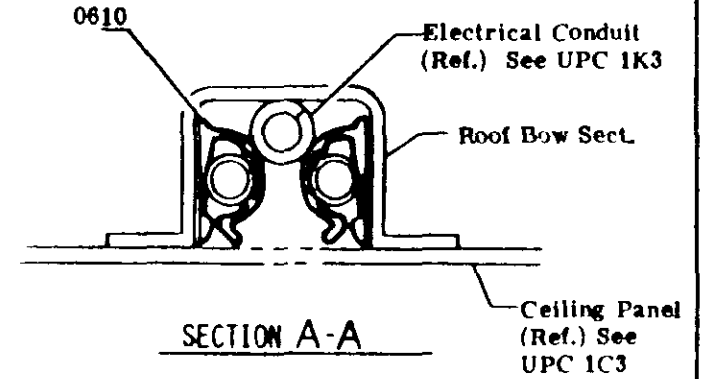
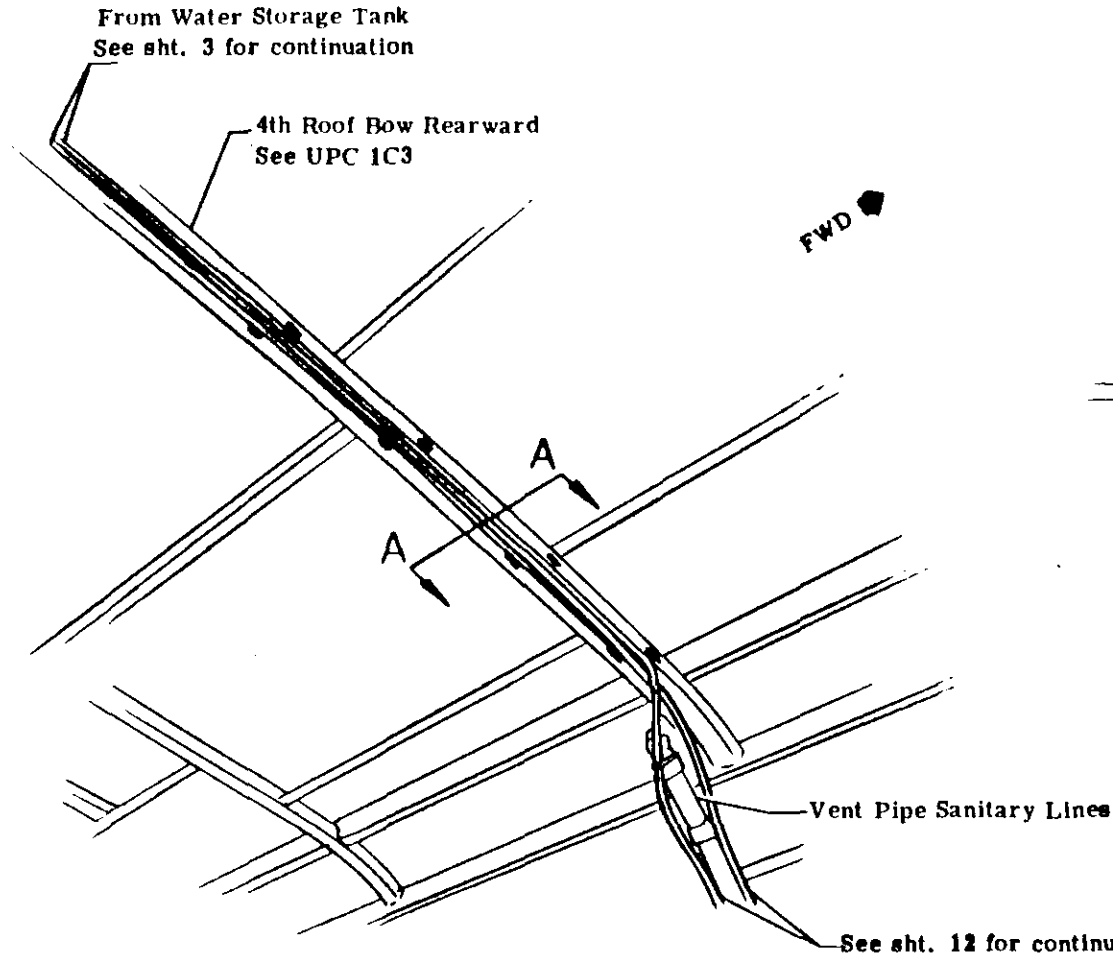
FRESH WATER PLUMBING - STORAGE TANK FILLER ASM.

NAME MOTOR HOME PLUMBING DIVISION/MPC 1K7 SHEET 8

FORM L 7095

PRELIMINARY

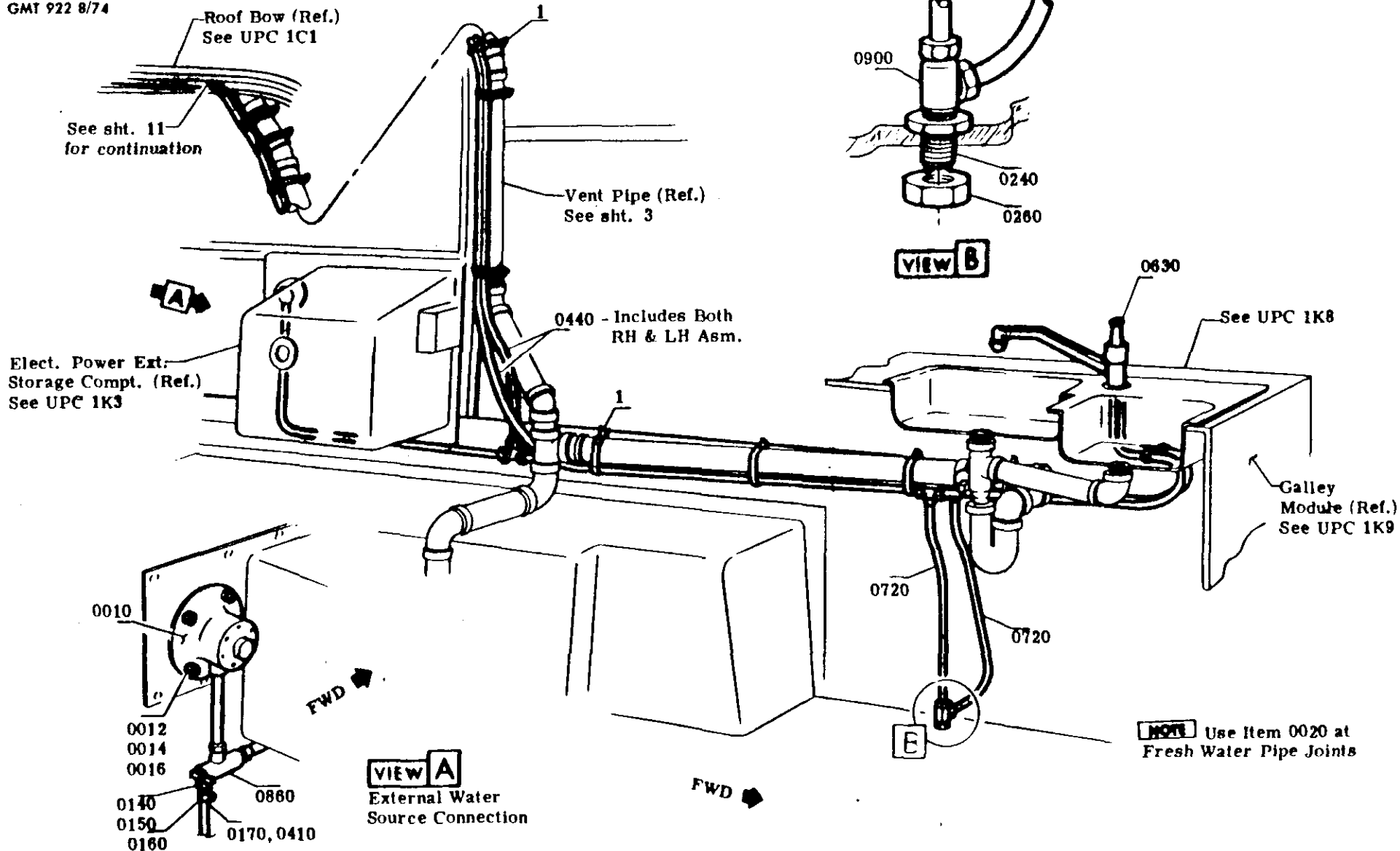
GMT 922 1-73



DYNAMIC (Installation) - LBS	WEIGHT (Inspection) - LBS	DATE	SYM	REVISION	AUTH	DR	CK	DEPARTMENTS
▲		1/4/77		ORIGINAL RELEASE				
▲								
▲								
▲								
▲								

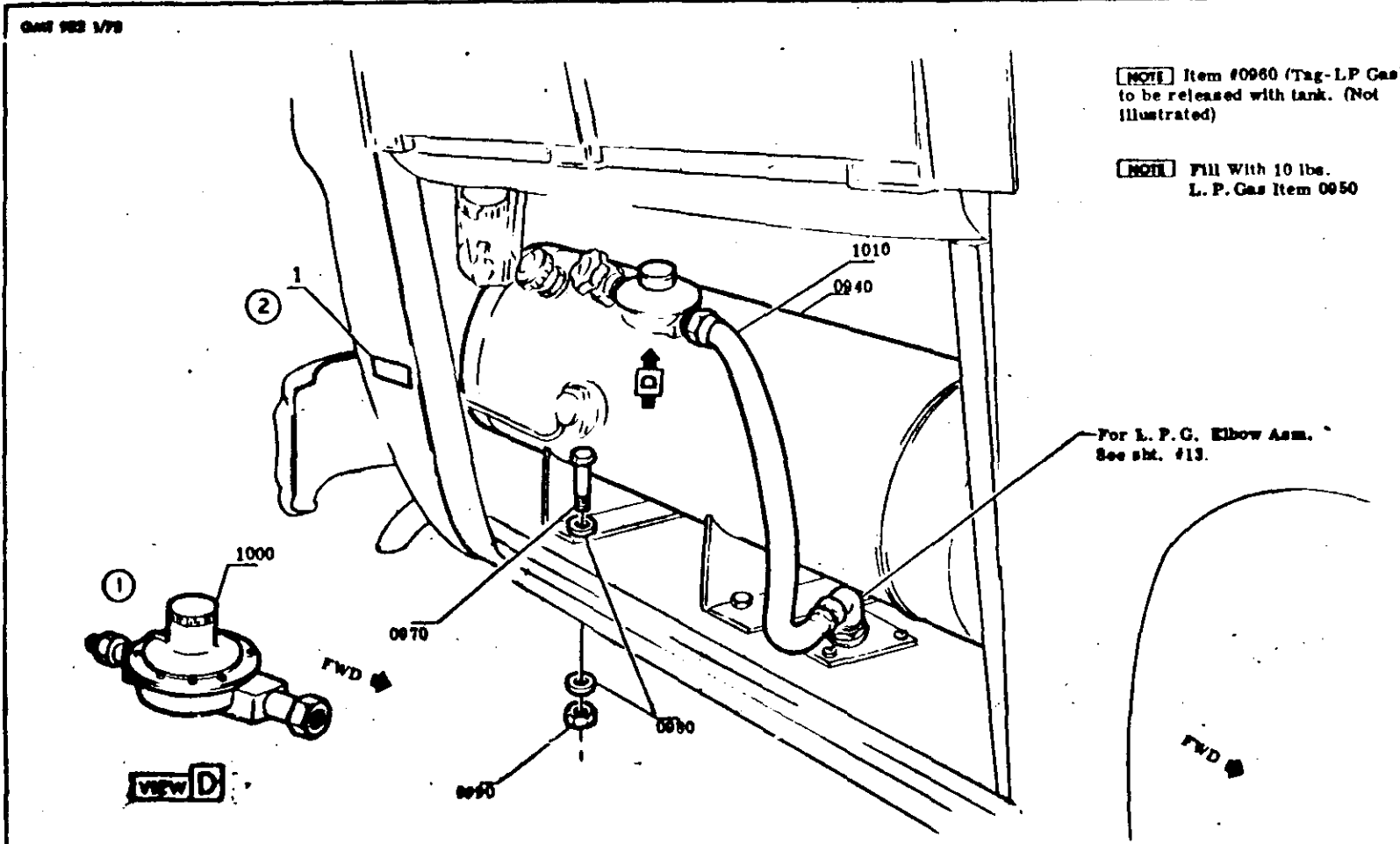
78 TRUCK		BOOK 70	
TITLE FRESH WATER PLUMBING - PIPES TO ROOF BOW CLIPS			
MAKE MOTOR HOME PLUMBING	DIVISION HO	SHEET 11	

GMT 922 8/74



DYNAMIC (Installation) - LBS	RAMD (Inspection) - LBS	DATE	SYM	REVISION	AUTH	DR	CK	DEPARTMENTS	TRUCK	BOOK
△		7-87		ORIGINAL RELEASE					78	70
△									TITLE FRESH WATER PLUMBING - GALLEY MODULE ZE06581	
△									NAME MOTOR HOME PLUMBING	DIVISION/UPC 1K7
△									SHEET	12

□ ITEM REFERENCE ◇ PROCESS MATERIAL ▲ TORQUE ◻ PART OF AN ENGINE



NOTE Item #0980 (Tag-L.P. Gas) to be released with tank. (Not illustrated)

NOTE Fill With 10 lbs. L. P. Gas Item 0950

For L. P. G. Elbow Ass. See skt. #13.

ITEM	QTY
0940	2005737
0950	8861345
0960	2052708
0970	180138
0980	120394
0990	9422277
1000	2035014
1010	790833
1	2032708

REV	DATE	DESCRIPTION	BY	CHK	APPROVED	TRUCK	BOOK
1		CROSSMILL RELEASE				78	70
2		REVISION 2			R. THOMPSON		
3		ITEM 1 ADDED			GAFFIN		

MOTOR	OVERHAUL	QTY
HOME	TK7	14
PLUMBING		

TRUCK	L6640
BOOK	183X
PRELIMINARY	

PRODUCT DESCRIPTION MANUAL

ASSEMBLY INFORMATION

GMT 1061 REV. 8/75

GMC TRUCK & COACH

ITEM	S E Q	PART OR TOOL DESCRIPTION	ADD'L DATA	QTY	PART NUMBER	ENGINE CODES	SERIES	BODY BRK	ITEM RESTRICTION	DEPARTMENTS		CHANGE		LOGIC CODE	FUNCTION CODE	ADDITIONAL CODES	FR.	LINE NOS
										#1	2/STA	CD	AUTH					
AA02014		SANITARY/FRESH		*	L7095					0752								1.18
AA02024		WATER PLUMBING								0752								1.19
AA04014		WATERLINE		*	L6655					0752								1.11
AA05014		FRESH WAT TK		*	L6665					0752								1.13
AA05024		STRAP								0752								1.14
AA09014		LP GAS LINES		*	L6855				STD/UND	0752								1.16
AA10014		WATER PURIFIER		*	L8406				VNT	0752								1.11
AA11014		LPG TK LABEL		*	L9396					0752								1.20
AA11024		INSTL								0752								1.21
AA12014		LGT SCHEMATIC		*	L6782					0752								1.23
AA13014		WAT SYSTEM		*	L6781					0752								1.25
AA13024		SCHEMATIC								0752								1.26
AA14014		DWV DRN SYSTEM		*	L6784					0752								1.24
AA14024		SCHEMATIC								0752								1.24
AA15014		SANITARY/FRESH		*	L7095					0754								1.31
AA15024		WATER PLUMBING								0754								1.32
AA16014		WATERLINE		*	L6655					0754								1.34
AA17014		FRESH WAT TK		*	L6665					0754								1.35
AA17024		STRAP								0754								1.34
AA18014		LP GAS LINES		*	L6855				STD/UND	0754								1.23
AA19014		WATER PURIFIER		*	L8406				VNT	0754								1.44
AA20014		LPG TK LABEL		*	L9396					0754								1.42
AA20024		INSTL								0754								1.44
AA21014		LGT SCHEMATIC		*	L6782					0754								1.46
AA22014		WAT SYSTEM		*	L6781					0754								1.48
AA22024		SCHEMATIC								0754								1.48
AA23014		DWV DRN SYSTEM		*	L6784					0754								1.51
AA23024		SCHEMATIC								0754								1.52
AA24014		SANITARY/FRESH		*	L7095					0752								1.54
AA24024		WATER PLUMBING								0752								1.55

2606581

MODEL YEAR 197P
 ORIGIN DATE 770725
 LAST CHG DATE
 LAST CHG CODE

MODEL APPLICATION
 PLUMBING
 UPC DESCRIPTION

70 1K7 A 1
 BK U. P. C. OR AGE

F.M.V.S.S.

REFERENCE

PRODUCT DESCRIPTION MANUAL

ASSEMBLY INFORMATION

1MT 1061 REV. 8/78

GM TRUCK & COACH

ITEM	S E Q	P M S	RT OR TOOL DESCRIPTION	ADD'L DATA	Q T Y	PART NUMBER	ENGINE CODES	SERIES	DOY DRG	ITEM RESTRICTION	DEPARTMENTS		CHANGE		LOGIC CODE	FUNCTION CODE	ADDITIONAL CODES	FNA	NE NOS
											#1	2/STA	CD	AUTH					
AA25014			WATERLINE		*	L6655					0782								2.57
AA26014			FRESH WAT TK		*	L6665					0782								2.59
AA26024			STRAP								0782								2.61
AA27014			LP GAS LINES		*	L6855				STD/UND	0782								2.63
AA28014			WATER PURIFIER		*	L8406				VNT	0782								2.65
AA29014			LPG TK LABEL		*	L9396					0782								2.67
AA29024			INSTL								0782								2.68
AA30014			LGT SCHEMATIC		*	L6782					0782								2.69
AA31014			WAT SYSTEM		*	L6781					0782								2.69
AA31024			SCHEMATIC								0782								2.69
AA32014			DWV DRN SYSTEM		*	L6784					0782								2.69
AA32024			SCHEMATIC								0782								2.69
AA33014			SANITARY/FRESH		*	L7095					0784								2.69
AA33024			WATER PLUMBING								0784								2.69
AA34014			WATERLINE		*	L6655					0784								2.69
AA35014			FRESH WAT TK		*	L6665					0784								2.69
AA35024			STRAP								0784								2.69
AA36014			LP GAS LINES		*	L6855				STD/UND	0784								2.69
AA37014			WATER PURIFIER		*	L8406				VNT	0784								2.69
AA38014			LPG TK LABEL		*	L9396					0784								2.69
AA38024			INSTL								0784								2.69
AA39014			LGT SCHEMATIC		*	L6782					0784								2.69
AA40014			WAT SYSTEM		*	L6781					0784								2.69
AA40024			SCHEMATIC								0784								2.69
AA41014			DWV DRN SYSTEM		*	L6784					0784								2.69
AA41024			SCHEMATIC								0784								2.69
AA42014			SANITARY/FRESH		*	L7095					0786								2.69
AA42024			WATER PLUMBING								0786								2.69
AA43014			WATERLINE		*	L6655					0786								2.69

F M V S S	REFERENCE	7F06581	MODEL YEAR 1978 P
		MODEL APPLICATION	ORIGIN DATE 770725
		PLUMBING	LAST CHG DATE
		UPC DESCRIPTION	LAST CHG CODE
			70 1K7 A 2
			8K U. P. C. GR. AGE

PRODUCT DESCRIPTION MANUAL

ASSEMBLY INFORMATION

GMT 1061 REV. 8/78

GM TRUCK & COACH

ITEM QTY	PART OR TOOL DESCRIPTION	ADD. DAT	QTY	PART NUMBER	ENGINE CODES	ITEM RESTRICTION	DEPARTMENT		RANGE	LOGIC	FUNCTION	ADDITIONAL	SHA	LINE NOS.
							#1	2/ST						
AA4401	LSH WAT TK		*	16665										2.4
AA4402	SLAF													2.4
AA4501	LP GAS LINES		*	16855		STD/UND								2.4
AA4601	WATER PURIFIER		*	18406		INST								2.5
AA4701	LPG TK LABEL		*	19396										2.5
AA4702	INSTE													2.5
AA4801	LGT SCHEMATIC		*	16782										2.5
AA4901	WAT SYSTEM		*	16761										2.5
AA4902	SCHEMATIC													2.5
AA5001	UMV URN SYSTEM		*	16784										3.2
AA5002	SCHEMATIC													3.3
UG10AA	REGULATOR		1	2032349				0782	40	037240000400070			M00100	3.5
UG11AA	ELBOW, INLT		1	796779				0782	40	037240000400072			M00112	3.7
UG12AA	SCR INLET ASM		4	9418324				0782	40					3.6
UG14AA	WASHER		4	121752				0782	40					3.10
UG15AA	NUT		4	121752				0782	40					3.12
UG16AA	SLALER		*	8861620				0784	62					3.14
UG30AA	COMPARTMENT ASM		1	2012753				0704	14	0000140005				3.16
UG40AA	TAG		1	2032557				0784	63	0000635175				3.18
UG50AA	SCREW		6	9431915				0704	14					3.20
UG60AA	SEALER		*	R33056				0704	14					3.22
UG70AA	SEAL		1	2005011				0704	14	0000140010				3.24
UG80AA	RETAINER		1	9728247				0704	14	0000140020				3.26
UG90AA	TAPE		*	8860660				0704	14					3.28
UG94AA	FILLER ASM		1	2004698				0782	38	0000380100				3.30
UG96AA	CLIP ASM		3	791156				0786	78	0000785105				3.32
UG98AA	SCREW		3	9414713				0786	78					3.34

F.M.V.	REFERENCE	ZE06581	MODEL YEAR 1978
		MODEL APPLICATION PLUMBING	ORIGIN DATE 770725 LAST CHG. DATE 770819 LAST CHG. CODE 3726
		UPC DESCRIP	70 1F A 3 BR. V. P. 97F PAGE

PRODUCT DESCRIPTION MANUAL

ASSEMBLY INFORMATION

GMT 1061 REV. 5/78

GM TRUCK & COACH

ITEM	S E Q	P V S	PART OR TOGL DESCRIPTION	ADD'L DATA	Q T Y	PART NUMBER	ENGINE CODES	SERIES	BOV BRK	ITEM RESTRICTION	DEPARTMENTS		CHANGE		LOGIC CODE	FUNCTION CODE	ADDITIONAL CODES	FNA	LINE NOS.
											PT	2/STA	CD	AUTH					
0120AA			TANK ASM		1	2018854					0784	70			0000	705015			3.34
0130AA			SPACER		1	792861					0784	70			0000	705020			3.34
0140AA			DRAIN COCK		1	148344					0784	70			0000	705025			3.40
0150AA			ADAPTER		1	444112					0784	70			0000	705030			3.44
0160AA			CLAMP		1	2494772					0784	70			0000	705035			3.44
0170AA			SEALER		1	9980664					0784	70							3.44
0180AA			CLAMP		2	2393870					0784	70			0000	705040			3.44
0185AA			FTG FR WATER		1	680310					0784	70	5640	60000	0000	705070			3.50
0190AA			STRAP ASM		2	791721					0784	70			0000	705045			3.54
0200AA			BRKT WAT TK STRP		2	2021220					0784	70			0000	705050			3.54
0205AA			RIVET		4	70036R					0784	70							3.59
0210AA			ANCHOR		2	791566					0784	70			0000	705055			3.59
0220AA			NIPPLE		1	3838094					0784	70			0000	705060			4.1
0240AA			CONN		1	2061210					0784	70			0000	705065			4.3
0250AA			WASHER		1	138506					0784	70							4.4
0260AA			NUT		1	219758					0784	70							4.5
0270AA			TEE		1	444124					0784	70			0000	705175			4.7
0280AA			VALVE ASM		1	2429626					0784	70			0000	705160			4.17
0290AA			NIPPLE		1	2194031					0784	70			0000	705185			4.13
0300AA			CONN		1	652629					0784	70			0000	705190			4.13
0310AA			FILTERED ASW		1	2010322					0784	70			0000	705195			4.17
0320AA			TUBE		1	2001669					0784	70			0000	705200			4.19
0330AA			PUMP ASM		1	2006676					0784	70			0000	705205			4.21
0340AA			SCREW		4	9436991					0784	70							4.23
0350AA			WASHER		4	9421089					0784	70							4.23

F.M.V.S.S.	REFERENCE	2F065R1	MODEL YEAR 1971
		MODEL APPLICATION	ORIGIN DATE 770125
		PLUMBING	LAST CHG DATE
		UPC DESCRIPTION	LAST CHG CODE
			70 1K7 A 4
			BK U. P. C. GM AGE

ITEM	SEQ	PART OR TOOL DESCRIPTION	ADD'L DATA	QTY	PART NUMBER	ENGINE CODES	SERIES	BOY BRK	ITEM RESTRICTION	DEPARTMENTS		CHANGE CD	LOGIC CODE	FUNCTION CODE	ADDITIONAL CODES	FN	LINE NOS
										#1	2/STA						
0390AA		FILTER ASM		1	2003132					0784	70		0000	705210			4.22
0400AA		TEF		1	795685					0784	70		0000	705215			4.29
0410AA		HOSE		*	R 32600					0784	70						4.31
0420AA		HOSE FRESH MAT	120 JM	*	8861196					0784	70						4.32
0440AA		PIPE ASM		1	790337					0784	62		0000	625075			4.35
0450AA		CLAMP		2	2465813					0784	70		0000	705220			4.37
0460AA		COMPARTMENT ASM		1	792170					0784	71		0000	715005			4.39
0470AA		SCREW		4	162532					0784	71						4.41
0480AA		BRACKET		3	792166					0784	70		0000	705225			4.42
0490AA		SCREW		3	9423753					0784	70						4.43
0500AA		SCREW		3	161375					0784	71						4.44
0510AA		TOILET ASM		1	702058			-ANW		0784	70		3513	705230			4.44
0510AB		TOILET ASM		1	702736			ANW		0784	70		3514	705230			4.50
0515AA		TUBE ASM		1	2026210			-ANW		0784	70		3513	705235			4.51
0515AC		TUBE ASM		1	2026212			ANW		0784	70		3514	705235			4.52
0516AA		COUPLING		1	798371			ANW		0784	70		3514	705240			4.53
0520AA		SCREW		8	161503					0784	90						4.54
0530AA		SEALER		*	8861493			-ANW		0784	90						4.55
0540AA		PIPE ASM		1	2027435					0784	62		0000	625080			5.02
0550AA		CLIP		2	791156					0784	62		0000	625085			5.04
0560AA		SCREW		5	9416716					0784	62						5.06
0570AA		CLIP		3	791156					0784	62		0000	625090			5.08
0580AA		SEAL		*	99R5041					0784	62						5.10
0590AA		SCREW CLIP		1	9416846					0784	62						5.12
0595AA		SCR FLR SEAL		24	9414713					0784	62						5.14
0600AA		GASKET		2	791948					0784	62		0000	625095			5.16

F.M.V.S.S.	REFERENCE	ZF06581	MODEL YEAR 1978
		MODEL APPLICATION PLUMBING	ORIGIN DATE 770725
		UPC DESCRIPTION	LAST CHG. DATE
			LAST CHG. CODE
			70 JK7 A 5
			BK U. P. C. QMP 98

ITEM #	DESCRIPTION	ADD'L DATA	QTY	PART NUMBER	M O D	ENGINE CODES	SERIES	BODY BRK	ITEM TRICTION	DEPARTMENT#		CHANGE		LOGIC CODE	FUNCTION CODE	ADDITIONAL CODES	PK	LINE #
										#1	2/STA	CD	AUTH					
0610AA	CLIP		8	708513						0784	62			0000	625100			5.18
0620AA	STRAP		21	666543						0784	62			0000	625105			5.20
0630AA	FAUCET ASM		1	2028735						0784	70			0000	705245			5.22
0640AA	FAUCET ASM		1	705784						0784	67			0000	675055			5.24
0650AA	ADAPTER		1	444040						0784	67			0000	675060			5.24
0660AA	HEAD ASM SHOWER		1	2025601						0784	67			0000	675065			5.28
0662AA	HOSE ASM SHOWER		1	2025602				-VNH802	(CALIFORNIA)	0784	67		1157	675045				5.30
0662AB	HOSE ASM SHOWER		1	2025603				VNH802	(CALIFORNIA)	0784	67		0480	675045				5.31
0664AA	WASHER HOSE		2	2025600						0784	67							5.33
0666AA	GROMMET HOSE		1	2024405						0784	67							5.35
0668AA	HOOK SHOWERHEAD		1	2025605						0784	67			0000	675085			5.36
0670AA	SCREW SHOWER		2	9417987						0784	67							5.37
0675AA	COVER		2	2025606						0784	67			0000	675070			5.41
0680AA	VALVE ASM		1	796778						0784	67			0000	675072			5.43
0682AA	CLIP VALVE ASM		1	719178						0784	67			0000	675090			5.45
0684AA	SCREW CLIP		1	9416843						0784	67							5.47
0686AA	WA SCR CLIP		1	120392						0784	67							5.49
0690AA	ELPDW		1	796779						0784	67			0000	675075			5.51
0700AA	NIPPLE		1	9427747						0784	67			0000	675060			5.53
0720AA	TUBE GALLEY DRN	48 IN.	*	9860807						0784	62							5.55
0722AA	PIPE ASM		1	2026865						0784	67			0000	675050			5.57
0724AA	WASHER		1	2026864						0784	67							5.59
0726AA	NUT		1	2026847						0784	67							6.2
0728AA	WASHER		2	2020885						0784	67							6.4
0730AA	COVER DRN TRAP		1	2008138						0784	62			0000	625110			6.6
0732AA	PIPE ASM		1	2026861						0784	62			0000	625115			6.7
0740AA	SCREW COVER		10	9422037						0784	62							6.9

ZF06581

MODEL YEAR 1978
 ORIGIN DATE 770725
 LAST CHG. DATE
 LAST CHG. CODE

MODEL APPLICATION
 PLUMBING
 UPC DESCRIPTION

70 IN7 A 6
 BK U. P. C. GRP TAGS

PRODUCT DESCRIPTION MANUAL

ASSEMBLY INFORMATION

GMT 1081 REV. 8/78

GENIC TRUCK & COACH

ITEM	SEQ	PVS	ART OR TOOL DESCRIPTION	ADD'L DATA	QTY	PART NUMBER	ENGINE CODES	SERIES	BOY	ITEM RESTRICTION	DEPARTMENTS		CHANGE		LOGIC CODE	FUNCTION CODE	ADDITIONAL CODES	FNA	LINE NOS
											#1	2/STA	CD	AUTH					
0745AA			SEAL		2	2026863					0784	62			0000	625120			6.1
0750AA			SEALER		*	9985041					0714	62							6.1
0760AA			TANK ASM		1	2005305					0784	62			0000	625125			6.1
0770AA			CLAMP HOT WAT		16	2468819					0784	62			0000	625130			6.1
0780AA			SUPT ASM		1	2005633					0784	62			0000	625135			6.2
0790AA			SCREW		4	9420432					0784	62							6.2
0800AA			VALVE		1	148344					0784	62			0000	625140			6.2
0810AA			BOLT		4	9417950					0784	62							6.2
0820AA			WASHER		8	9418304					0784	62							6.2
0830AA			WA LK		4	103320					0784	62							6.3
0840AA			NUT 20x25 FT #		4	9417954					0784	62							6.3
0850AA			HOSE TK DRAIN	1/4 IN	*	34825					0784	62							6.3
0860AA			CLAMP TBE		2	2494772					0784	62			0000	625145			6.3
0870AA			TUBE TK DRAIN		*	R 32600					0784	62							6.3
0880AA			BULKHEAD ASM		1	790058					0704	9			0000	090160			6.4
0890AA			BASKET		1	791238					0704	9			0000	090165			6.4
0895AA			RIVET BLKHD ASM		4	700368					0704	9							6.4
0900AA			TEE		1	711949					0784	62			0000	625050			6.4
0910AA			TEE ASM		2	791675					0784	62			0000	625155			6.4
0930AA			CLIP		1	674904					0784	67			0000	675095			6.5
0940AA			TANK ASM LP		1	2005737					0782	41			0000	410200			6.5

7F06581

MODEL APPLICATION
PLUMBING
UPC DESCRIPTION

MODEL YEAR 1978
ORIGIN DATE 770725
LAST CHG. DATE
LAST CHG. CODE
70 PK7 A
BK U. P. C. QRP 108

F.M.V.S.S.

REFERENCE

PRODUCT DESCRIPTION MANUAL

ASSEMBLY INFORMATION

3MT 1081 REV. 6/78

GM TRUCK & COACH

ITEM	QTY	PART DESCRIPTION	ADD'L DATA	QTY	PART NUMBER	ENGINE CODES	SERIES	BODY	ITEM RESTRICTION	DEPARTMENTS		CHANGE		LOGIC CODE	FUNCTION CODE	ADDITIONAL CODES	FNA	LINE NOS
										#1	2/STA	CD	AUTH					
0950AA		GAS LP 10 LB		*	8861345					0758	100							6.55
0960AA		TAG LP GAS		1	2032708					0784	63			0000	635180			6.57
0965AA		LABEL METHYL TK		1	2027855					0782	40			0000	400075			6.59
0970AA		BOLT MT TK		4	180138					0782	41							7.2
0990AA		WASHER MT TK		8	120394					0782	41							7.3
0990AA		NUT MT TK		4	9422277					0782	41							7.4
1000AA		VALVE ASM		1	2033014					0782	41	0281		0000	410205			7.5
1010AA		HOSE ASM		1	790833					0782	41			0000	410210			7.6
1020AA		PLATE		2	790057					0782	41			0000	410215			7.7
1030AA		GASKET		1	791237					0782	41			0000	410220			7.8
1040AA		SCREW		8	9421151					0782	41							7.9
1050AA		SEALER		*	R35174					0702	6							7.10
1060AA		ELBOW		2	109429					0702	6			0000	060160			7.20
1070AA		ELBOW		2	109429					0782	41			0000	410225			7.22
1080AA		COUPLING ASM		2	2215842					0782	41			0000	410230			7.24
1090AA		BRACKET		2	792711					0786	75			0000	755025			7.26
1100AA		NUT		2	116488					0786	78							7.28
1102AA		CLIP LP TUBE		1	719178					0786	67			0000	675100			7.30
1104AA		CLAMP		4	2026823					0786	78			0000	785120			7.32
1110AA		CLIP LP TUB		6	2488390					0786	78			0000	785110			7.34
1120AA		CLIP LP TUB		3	2493419					0786	78			0000	785115			7.36
1125AA		SCREW TB CLIP		1	9418967					0786	78							7.38
1130AA		SCREW		6	9418968					0786	78							7.40
1135AA		SCREW TB CLIP		5	9421151					0786	78							7.42
1140AA		WASHER		6	138489					0786	78							7.44

7E065R1

MODEL APPLICATION
PLUMBING
UPC DESCRIPTION

MODEL YEAR 1978
ORIGIN DATE 770725
LAST CHG. DATE
LAST CHG. CODE
70 1K7 A B
BK U. F. C. OR AGE

F M V L L

REFERENCE

PRODUCT DESCRIPTION MANUAL

ASSEMBLY INFORMATION

GMT 1001 REV. 5/75

GM CORP. & EDACOR

QTY	PART OR TOOL DESCRIPTION	ADD'L DATA	QTY	PART NUMBER	ENGINE CODES	STUDS	IND. IRR	ITLM RESTRICTION	DEPARTMENT NO.	PLANT	LOGIC CODE	FUNCTION CODE	ADDITIONAL CODES	REF.
1	WASHER		1	9421042					0786	70				7.5
1	NUT CLIP SCR		1	124829					0786	70				7.5
1	NUT CLIP SCR		1	9437796					0752	70	11520			7.5
1	WA LK		1	103321					0786	70				7.5
1	TUB LP GAS		1	792193					0714	60		0000665010		7.5
1	REDUCER		4	455546					0784	60		0000665015		7.5
1	TUBE ASM RR		1	2027013					0772	78		0000780060		8.1
1	SHIELD RR TUBE		1	2002983					0752	78		0000780065		8.2
2	CLAMP ASM		2	666138					0752	78		0000780070		8.4
1	HOSE		1	792193					0772	78		0000780075		8.4
1	BKKT RR HOSE		1	2026824					0752	78		0000780080		8.4
2	BOLT HOSE BKKT		2	9418967					0752	78				8.4
2	WA BOLT		2	2436163					0752	78				8.4
2	NUT 15:20 FTW		2	9422277					0752	78				8.4
1	TUBE ASM RR		1	2027015					0752	78		0000780080		8.4
1	TUBE ASM FRT		1	2027011					0752	78		0000780085		8.4
1	HOSE		1	792193					0772	78		0000780087		8.4
1	CLAMP		1	2419766					0754	60		0000660015		8.4
1	TUBE ASM		1	2028119					0784	60		0000665020		8.4
1	TUBE ASM		1	2028120				-685/UND	0784	60		0299665025		8.4
1	TUBE ASM		1	2027033				685	0784	60		607665027		8.4
1	TUBE ASM		1	2031231				UND	0784	66		0299665029		8.4
1	CLIP		1	3866188					0784	60		0000665030		8.4
1	SCREW		1	9419791					0784	60				8.4
1	WASHER		1	131015					0784	66				8.4

2														
3														
4														
5														
6														
7														
8														
9														
10														

ZE06581

MODEL YEAR 1977
 ORIGIN DATE 7/70
 LAST CHG DATE 7/1008
 LAST CHG CODE 613
 70 1K7 9
 BK U P C GRV PAGE

MODEL APPLICATION
 PLUMBING
 UPC DESCRIPTION

REFERENCE



PRODUCT DESCRIPTION MANUAL

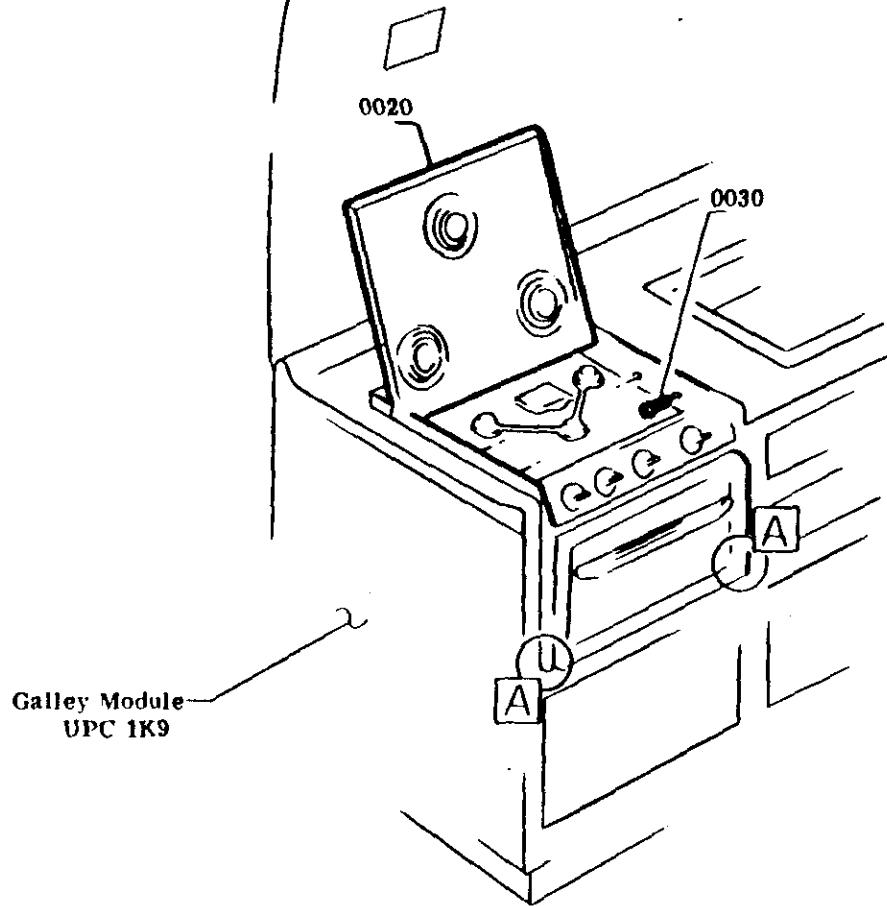
ASSEMBLY INFORMATION

GMT 1061 REV. 6/78

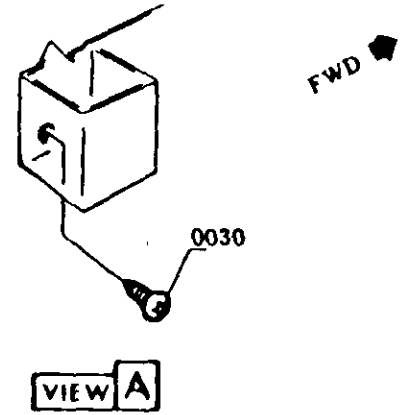
ITEM	SEQ	M/S	PART OR TOOL DESCRIPTION	ADD'L DATA	QTY	PART NUMBER	ENGINE CODES	SERIES	BODY BRK	ITEM RESTRICTION	DEPARTMENTS		CHANGE		LOGIC CODE	FUNCTION CODE	ADDITIONAL CODES	FNA	LINE NOS.
											#1	2/STA	CD	AUTH					
1300AA			TUBE ASM		1	2028123					0784	66			0000665040				8.35
1302AA			VALVE SHUT OFF		1	2027489					0784	63			0000635185				8.37
1304AA			ELBOW		1	2027490					0784	63			0000635190				8.39
1309AA			TUBE VLV/EURN		1	2028121					0784	63			0000635195				8.41
1308AA			CONN TB/EURN		1	2324175					0784	63			0000635200				8.43
1311AA			ANTI-FREEZE		*	8661344					0758	100							8.45
1320AA			PURIFIER ASM		1	798360			VNT		0784	70			3516705250	M			8.47
1330AA			STRAP ASM		1	798682			VNT		0784	70			3516705255	M			8.49
1340AA			LAMP		1	2393870			VNT		0784	70			3516705260	M			8.51
1350AA			SCREW		2	9416639			VNT		0784	70							8.53
1360AA			WASHER		2	9419892			VNT		0784	70							8.55
1370AA			NUT		1	9422275			VNT		0784	70							8.57
1380AA			WASHER		1	9418304			VNT		0784	70							8.59
1390AA			SEALER		*	K 35174			VNT		0784	70							9.2

1 2 3 4 5 6 7 8 9 10 11 12 13 14 15 16 17 18 19 20 21 22 23 24 25 26 27 28 29 30 31 32 33 34 35 36 37 38 39 40 41 42 43 44 45 46 47 48 49 50 51 52 53 54 55 56 57 58 59 60 61 62 63 64 65 66 67 68 69 70 71 72 73 74 75 76 77 78 79 80 81 82 83 84 85 86 87 88 89 90 91 92 93 94 95 96 97 98 99 100	REFERENCE	ZE06581 MODEL APPLICATION PLUMBING UPC DESCRIPTOR	MODEL YEAR 1978 ORIGIN DATE 770725 LAST CHG DATE LAST CHG CODE 70 1K7 4 10 BK U P C . NP PAGE
--	-----------	--	--

GM 2 1-73



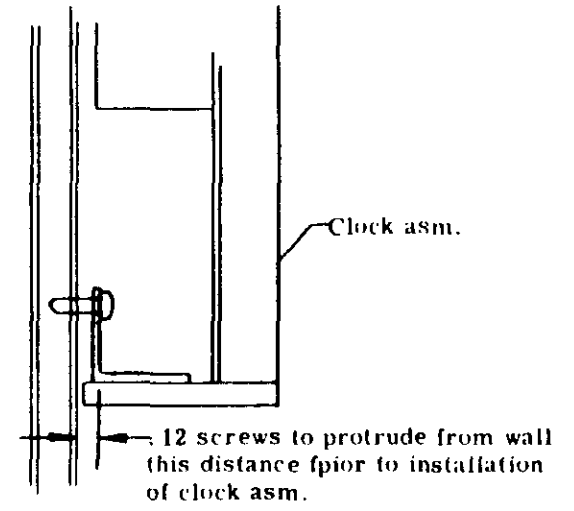
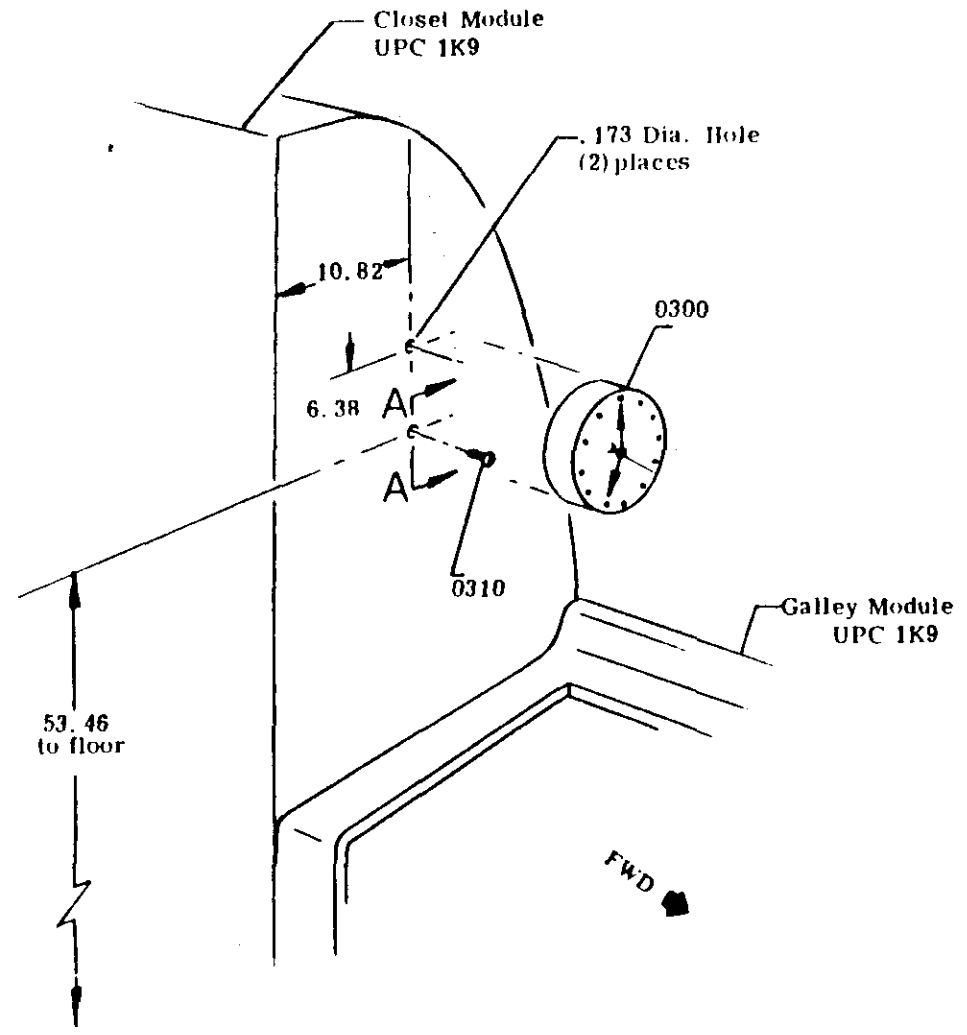
Galley Module
UPC 1K9



DYNAMIC (Installation) - LBS	MAINT (Inspection) - LBS	DATE	SYM	REVISION	AUTH	DR	CR	DEPARTMENTS	'78 TRUCK BOOK 70	
		05-77		ORIGINAL RELEASE	#7000			THOMPSON	TITLE	
									RANGE ASSEMBLY	
									ZE06581	
									NAME	DIVISION
									GALLEY & APPLIANCES	1K8
										SHEET
										2



GMT 922 1/75



SECTION A-A
Typical (2) places

NOTE All dimensions are reference only.

DYNAMIC (Installation) - LPS	NAHD (Inspection) - LPS	DATE	SYM	REVISION	AUTH	DR	CR	DEPARTMENTS	TITLE
		7-5-77		ORIGINAL RELEASE	47000	S	77	THE MFG CO.	78 TRUCK
									BOOK 70
									GALLEY CLOCK ASM. W UNF
									NAME GALLEY & APPLIANCES
									DIVISION/UPC 1K8
									SHEET 7



PRODUCT DESCRIPTION MANUAL

ASSEMBLY INFORMATION

QMT 1061 REV. 8/76

GMV TRUCK & COACH

ITEM	SEQ	P	PART OR TOOL DESCRIPTION	ADD'L DATA	QTY	PART NUMBER	ENGINE CODES	SERIES	REV BRK	ITEM RESTRICTION	DEPARTMENTS		CHANGE		LOGIC CODE	FUNCTION CODE	ADDITIONAL CODES	FNA	LINE NOS
											#1	2/STA	CD	AUTH					
AA01	01	4	EXTERIOR VENT								07E4								1.3
AA01	02	4	INSTL		*	L689Z					07E4								1.9
AA02	01	4	REFRIG MODULE								07E4								1.11
AA02	02	4	INSTL		*	L666Z					07E4								1.12
AA03	01	4	GALLEY MODULE &		*	L664R					07E4								1.14
AA03	02	4	STOVE								07E4								1.15
AA06	01	4	CLOCK DRILL &								07E4								1.11
AA06	02	4	INSTL		*	MD12909				UNF	07E4								1.12
AA07	01	4	VAC CLR PWR								07E4								1.20
AA07	02	4	UNIT & ATTACH		*	L761R				UNF	07E4								1.21

ZEO65R1

MODEL YEAR 197P
 ORIGIN DATE 770726
 LAST CHG DATE
 LAST CHG CODE
 70 IKR A 1
 BK U. P. C. OMP PAGE

MODEL APPLICATION
 GALLEY & APPI CES
 UPC DESCRIPTION

PRODUCT DESCRIPTION MANUAL

ASSEMBLY INFORMATION

IMT 1001 REV. 8/78

CUMMINS TRUCK & COACH

ITEM	S E Q	P M S	PART OR TOOL DESCRIPTION	ADD'L DATA	Q T Y	PART NUMBER	ENGINE CODES	SERIES	REV	ITEM RESTRICTION	DEPARTMENTS		CHANGE		LOGIC CODE	FUNCTION CODE	ADDITIONAL CODES	FNA	LINE NOS.
											#1	2/STA	CD	AUTH					
AA0801A			FIRE EXT INST		*	L6646					0784								1.23
AA0901A			REFRIG & VENT		*	L9552					0784								1.25
AA0902A			SEALS INST								0784								1.26
AA1001A			MICROWAVE OVEN		*	L9572				UND	0784								1.28
AA1101A			PLUMBING LAYOUT		*	L7095				685	0784								1.30
AA1201A			MICROWAVE INSTL		*	L9146				685	0784								1.32
0010AA			SINK ASM GALLEY		1	2027437				81	0784	70			0000	705265			1.34
0020AA			RANGE ASM		1	2005742				-685/UND	0784	69			0293	695035			1.36
0025AP			TOP ASM		1	2025476				685/UND	0784	67			0297	6751C5			1.38
0030AA			SCREW		6	9419915				-UND	0784	69							1.40
0030AP			SCREW		4	9419915				UND	0784	69							1.41
0040AA			LPEVENT ASM		1	791177					0786	78			0000	785130			1.43
0050AA			SCREW		12	9415927					0704	8							1.45
0060AA			SEALER		*	RR61024					0704	8							1.47
0070AA			RIVNUT		12	2004512					0704	8							1.49
0080AA			STOP DR		1	790377					0784	70			0000	705270			1.51
0090AA			SCREW DR STOP		2	9419791					0784	71							1.53
0100AA			REFRIGERATOR		1	2031329					0784	70			037290000	705275			1.55
0110AA			SCREW		4	9418622					0786	78							1.57
0150AA			SEAL		1	791966					0784	70			0000	705280			1.59
0180AA			CLEANER ASM		1	706103				UNL	0784	67			3518	675110			2.2
0190AA			SCREW		2	162113				UNL	0784	67							2.4
0200AA			WASHER		2	121801				UNL	0784	67							2.6
0210AA			SPACER		2	2303094				UNL	0784	67			3518	675115			2.8
0220AA			SCREW		2	9416485				UNL	0784	67							2.10
0230AA			WASHER		2	120423				UNL	0784	67							2.12

ZF06581

MODEL APPLICATION
GALLEY & APPLT ES
UPC DESCRIPTION

MODEL YEAR 1971
DRIGIN DATE 770726
LAST CHG. DATE
LAST CHG. CODE
70 1KB A
BK U. P. C. OPP M

F.M.V.S.S.

REFERENCE

PRODUCT DESCRIPTION MANUAL

ASSEMBLY INFORMATION

DMT 1001 REV. 6/76

GM TRUCK & COACH

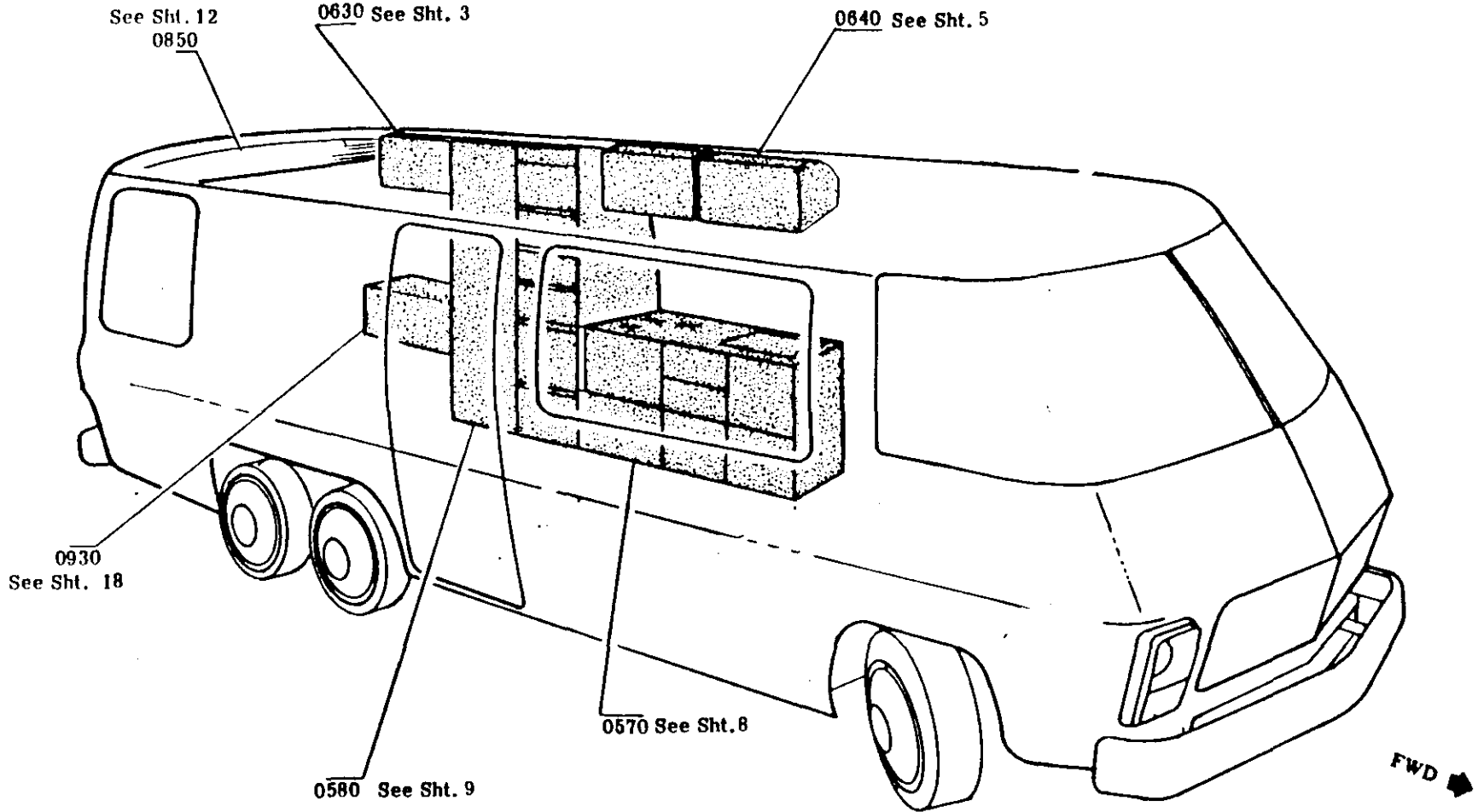
ITEM	S E Q	P R	ART OR TOOL DESCRIPTION	ADD'L DATA	QTY	PART NUMBER	ENGINE CODES	SERIES	BOV BRN	ITEM RESTRICTION	DEPARTMENTS		CHANGE		LOGIC CODE	FUNCTION CODE	ADDITIONAL CODES	FNA	LINE NOS	
											61	2/5TA	CD	AUTH						
0240AA			SCREW		2	9414714				UNI	0784	67								2.16
0250AA			WASHER		2	131015				UNI	0784	67								2.16
0260AA			SCREW		2	161902				UNI	0784	67								2.18
0300AA			CLOCK GALLEY		1	796200				UNE	075R	100			251R105020					2.20
0310AA			SCREW		2	9414723				UNE	0784	67								2.22
0320AA			BRACKET		2	2029532				UND	0784	67			0294675120					2.25
0330AA			BOLT		4	9419004				UND	0784	67								2.27
0340AA			WASHER		4	120392				UND	0784	71								2.29
0350AA			WASHER LK		4	103319				UND	0784	67								2.31
0360AA			GROMMET		1	3786405				6R5/UND	0784	63								2.33
0370AA			OVEN ASM, MICRO		1	2025475				6R5	0784	63			6037635205					2.35
0370AB			OVEN ASM, MICRO		1	2029240				UND	0784	63			0294635205					2.36
0380AA			BRKT ASM		2	2026272				6R5	0784	63			0294635210					2.38
0390AA			SCREW		4	9416136				6R5	0784	63								2.40
0390AB			SCREW		4	155871				UND	0784	63								2.41
0400AA			BOLT		4	106320				6R5	0784	63								2.43

		25065R1	MODEL YEAR 197F
			ORIGIN DATE 770726
			LAST CHG. DATE
			LAST CHG. CODE
F.M.V.S.S.	REFERENCES	MODEL APPLICATION GALLEY & APPL' YES	70 1K8 A
		UPC DESCRIPTION	BK U. P. C. 9MP 08

L



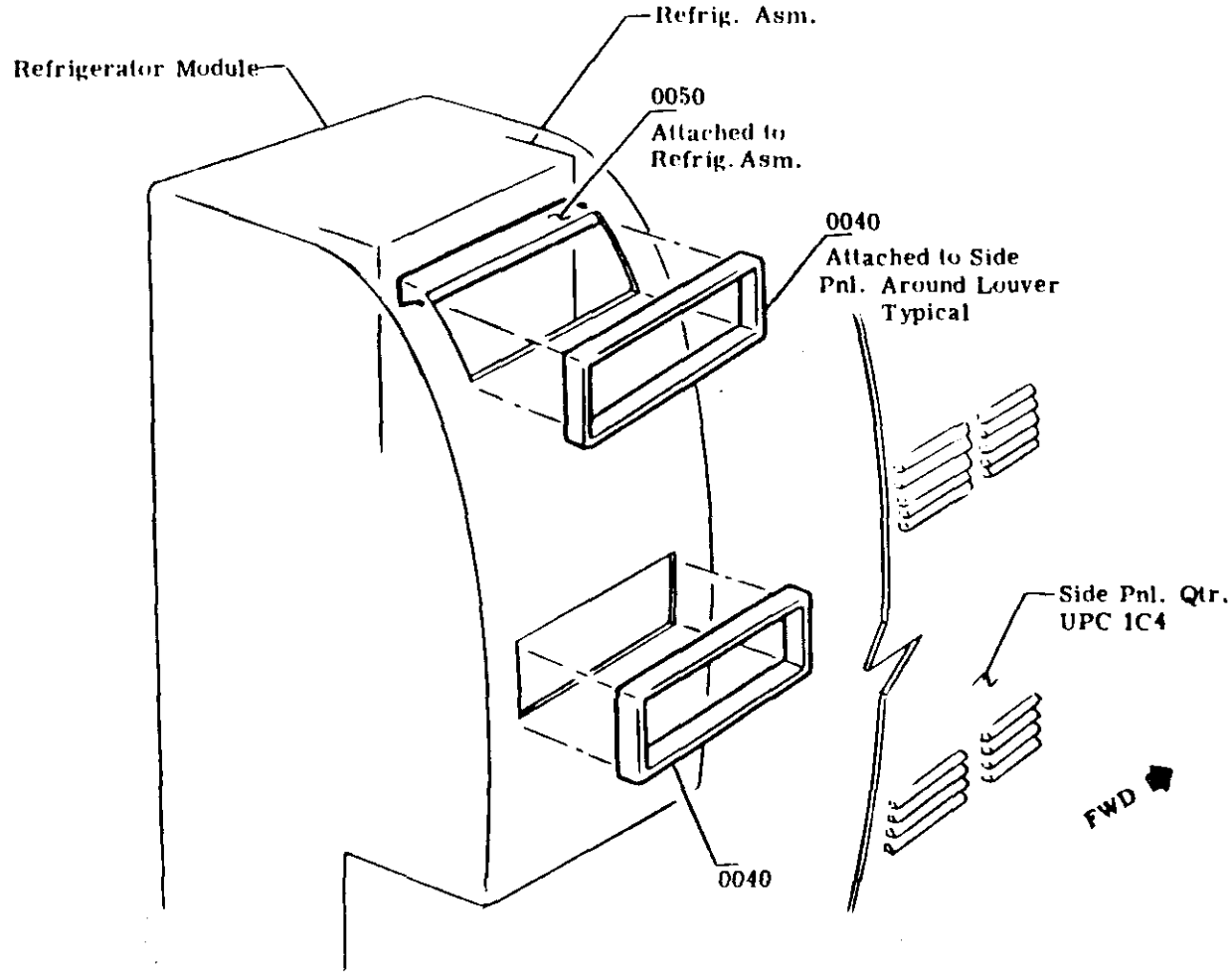
GMT 922B 1/75



DYNAMIC (Installation) - LBS	HAZARD (Inspection) - LBS	DATE	SYM	REVISION	AUTH	DR	CR	DEPARTMENTS	78 TRUCK	BOOK 70
		11-77		ORIGINAL RELEASE					TITLE	
									CABINET LOCATIONS	
									Z E06581	
									NAME MOTOR	DIVISION / UPC
									HOME	1K9
									CABINETS	SHEET 1



GMT 922 1/75

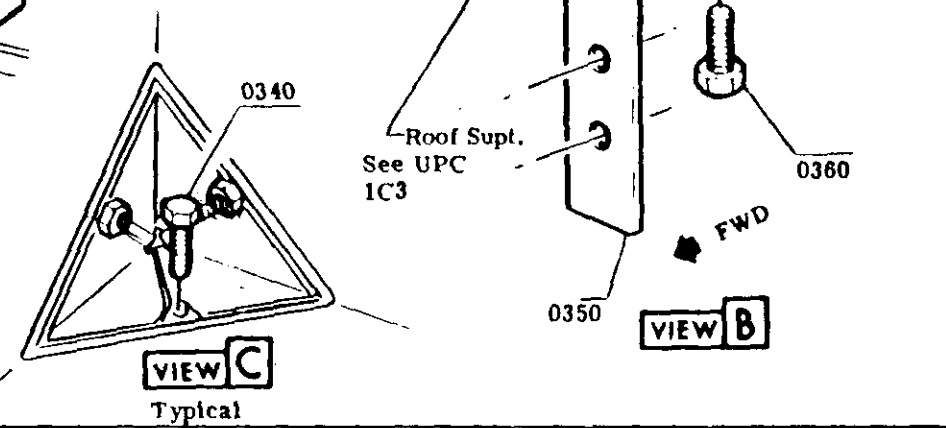
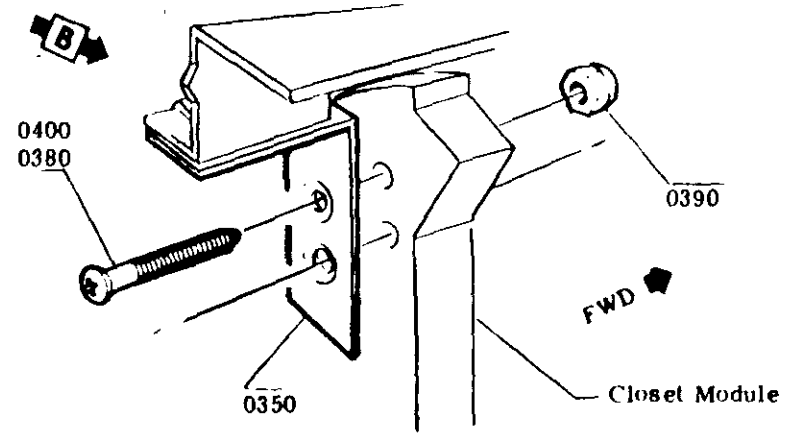
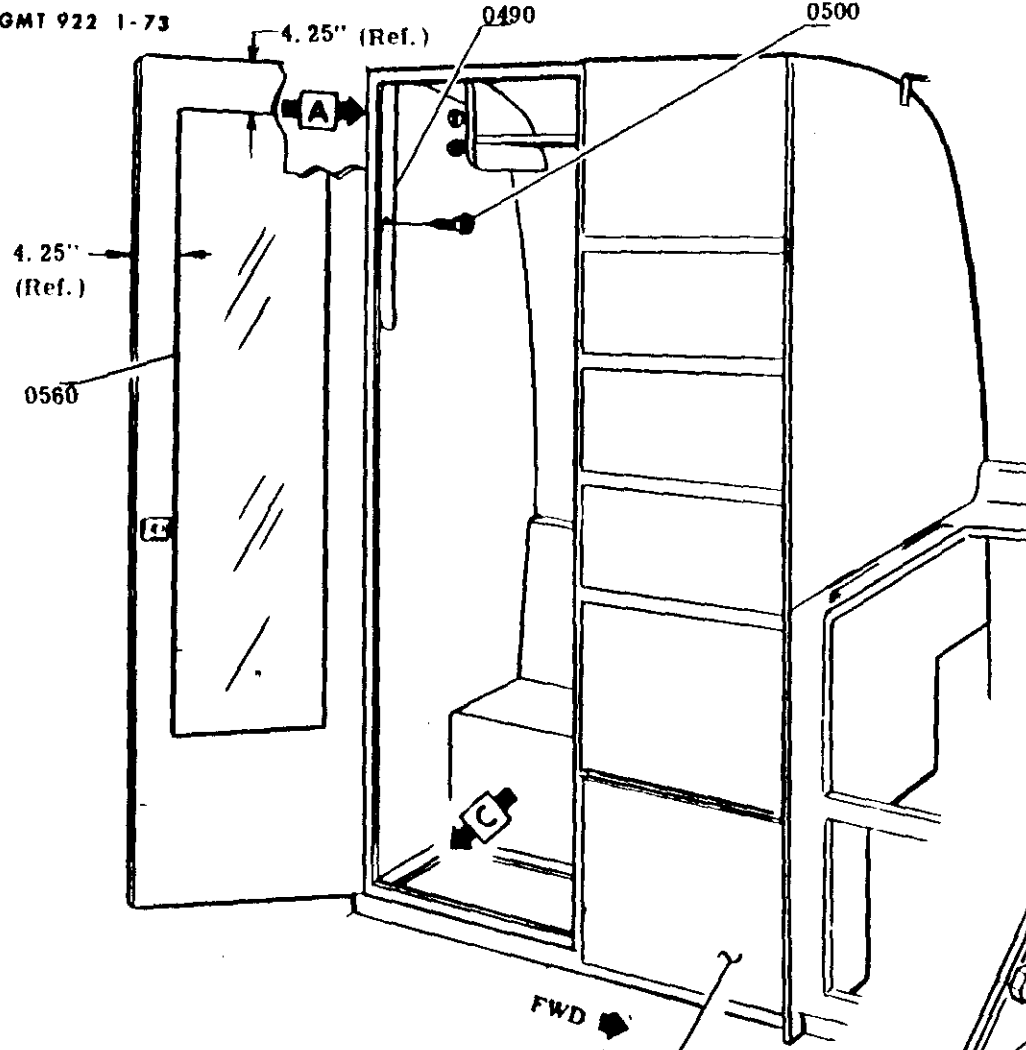


VIEW C
From Sht. #6

BYNAMC (Installation) - LBS	HARD (Inspection) - LBS	DATE	SYM	REVISION	AUTH	DR	EV	DEPARTMENTS	78 TRUCK	BOOK 70
		7-7-77		ORIGINAL RELEASE	17000	JH			TITLE	
									REFRIGERATOR VENT SEALS	
									ZEO6581	
									NAME MOTOR	DIVISION/UPC
									HOME	1K9
									CABINETS	7



GMT 922 1-73



NOTE Apply Deadener 1060 to Inside Surface of 1060 Compressor Compartment Door

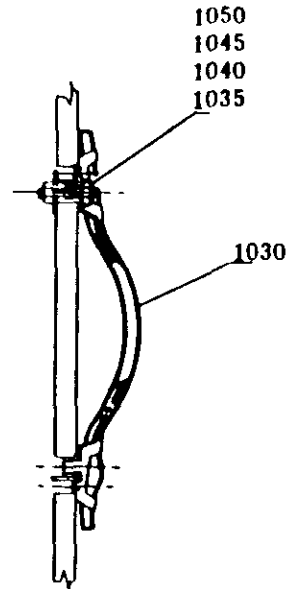
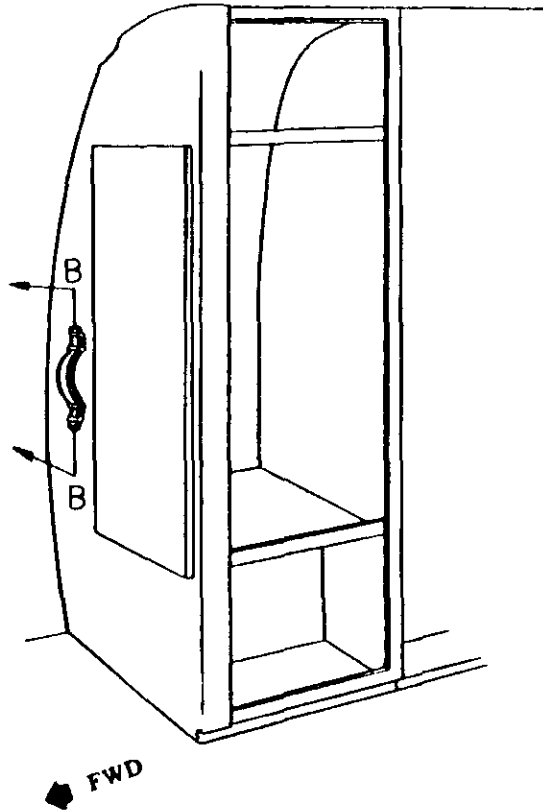
DYNAMIC (Installation) - LBS	HAND (Inspection) - LBS	DATE	SYM	REVISION	AUTH	DR	CR	DEPARTMENTS
▲		7777		ORIGINAL RELEASE	17000			
▲								
▲								
▲								
▲								

'78 TRUCK **BOOK 70**

CLOSET MODULE
ZE06581

NAME MOTOR HOME CABINETS DIVISION **1K9** SHEET **9**

GMT 922 1/75

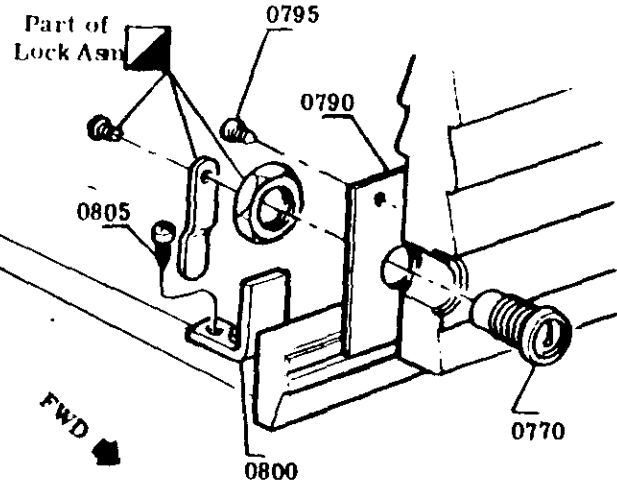


SECTION - B-B

DYNAMIC (Installation) - LBS	RAMD (Inspection) - LBS	DATE	SYM	REVISION	AUTH	DR	CR	DEPARTMENTS	'78 TRUCK	BOOK 70
	△ △ △ △ △	1/77		ORIGINAL RELEASE	H200C	GS	FR		TITLE	
									REFRIGERATOR MODULE INSTL.	
									ZEO658J	
									NAME MOTOR	DIVISION/UPC
									HOME	1K9
									CABINETS	SHEET 10

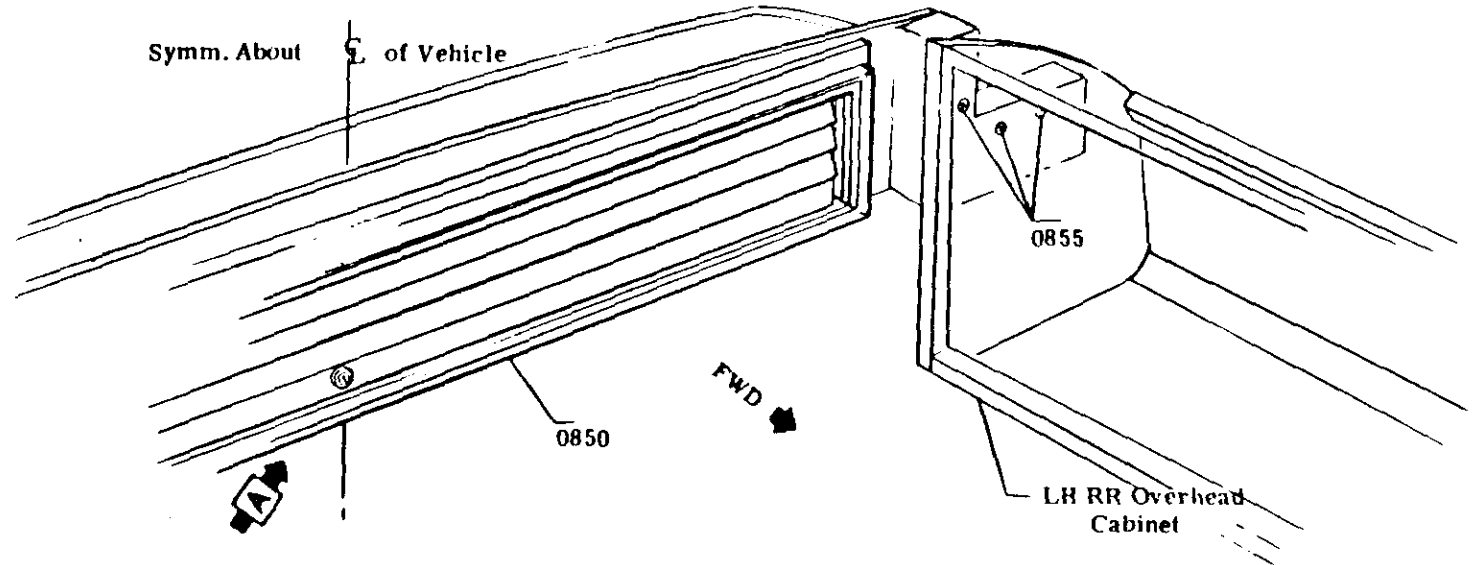
□ ITEM REFERENCE ◇ PROCESS MATERIAL △ TORQUE ▣ PART OF OR EXISTING

GMT 922 1/75



VIEW A

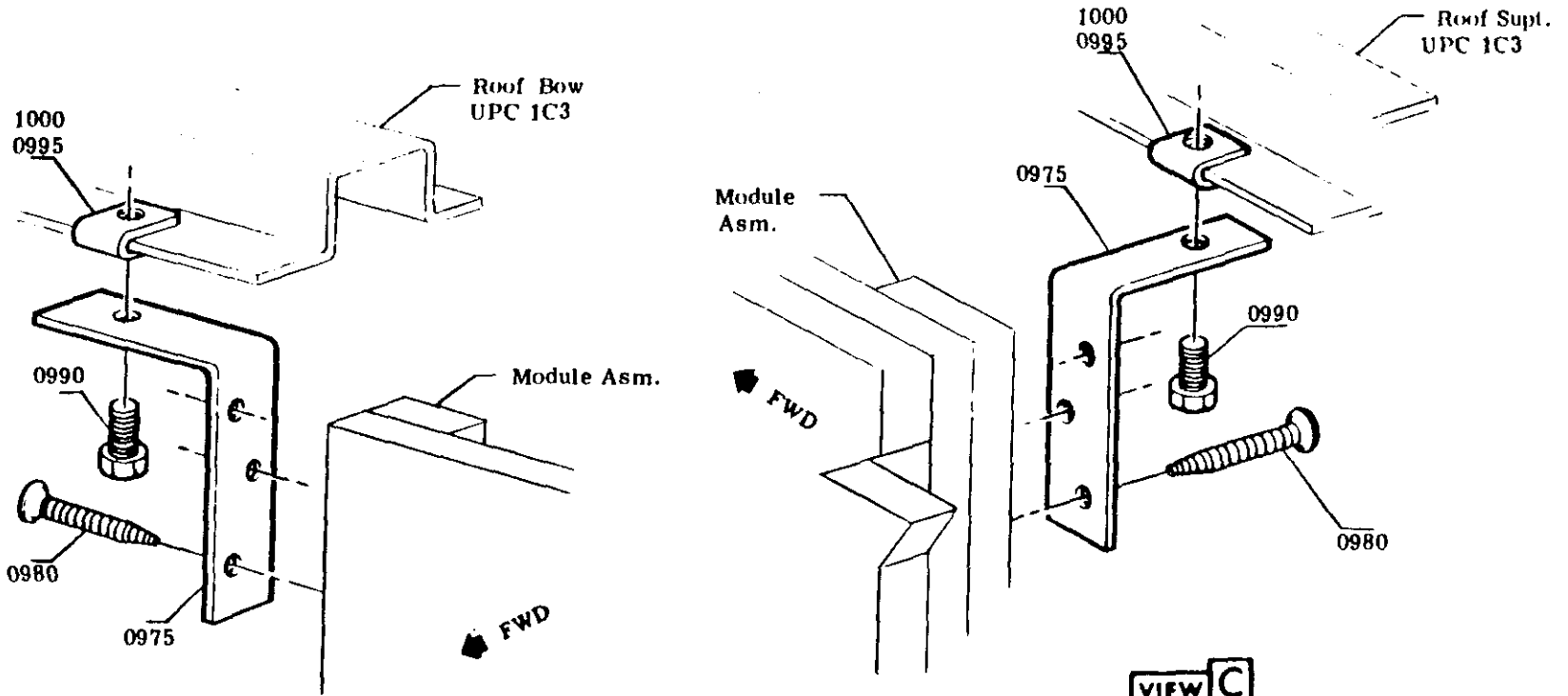
Symm. About of Vehicle



NOTE Fishing Rod Case
0860 Not Illustrated

DATE	SYN	REVISION	AUTH	DR	CR	DEPARTMENTS	78 TRUCK	BOOK 70
7-7-77		ORIGINAL RELEASE	4762	65	82			
							TITLE	
							REAR OVERHEAD FISHING ROD CABINET W ENN	
							NAME MOTOR	DIVISION/UPC
							HOME	1K9
							CABINETS	SHEET 12

GMT 922 1/75



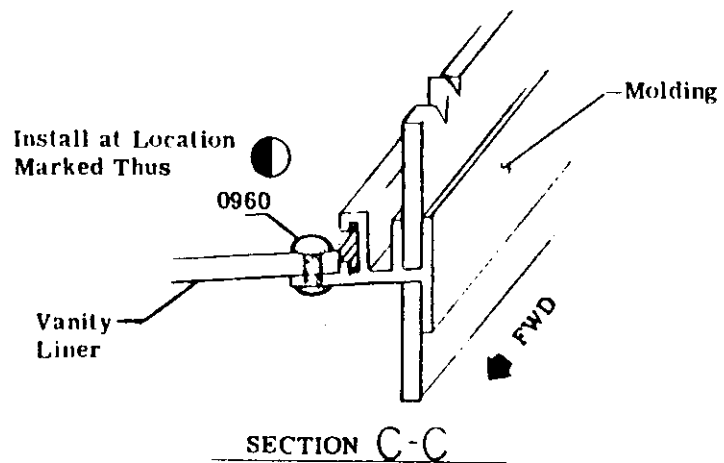
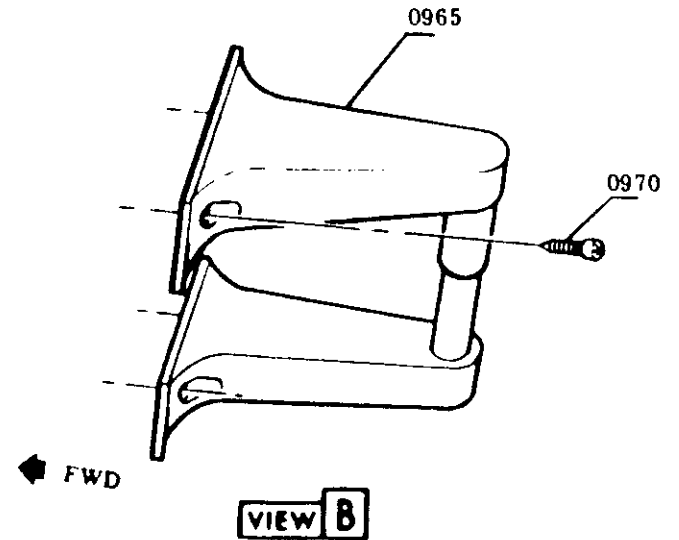
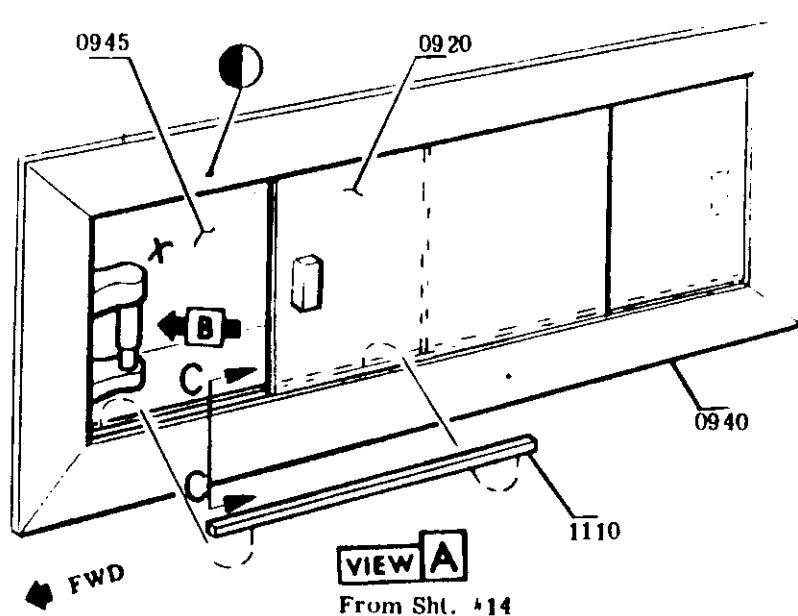
VIEW D
From Sht. #14

VIEW C
From Sht. #14

DYNAMIC (Installation) - LBS	HARD (Inspection) - LBS	DATE	SYN	REVISION	AUTH	DR	CR	DEPARTMENTS	TITLE
△		7-7-77		ORIGINAL RELEASE	47000	GS	JK	TRAINING	78 TRUCK
△									BOOK 70
△									BATH MODULE MOUNTING (UPPER)
△									NAME MOTOR HOME CABINETS
△									DIVISION/UPC 1K9
									SHEET 15

ITEM REFERENCE PROCESS MATERIAL FOR USE PART OF OR EXISTING

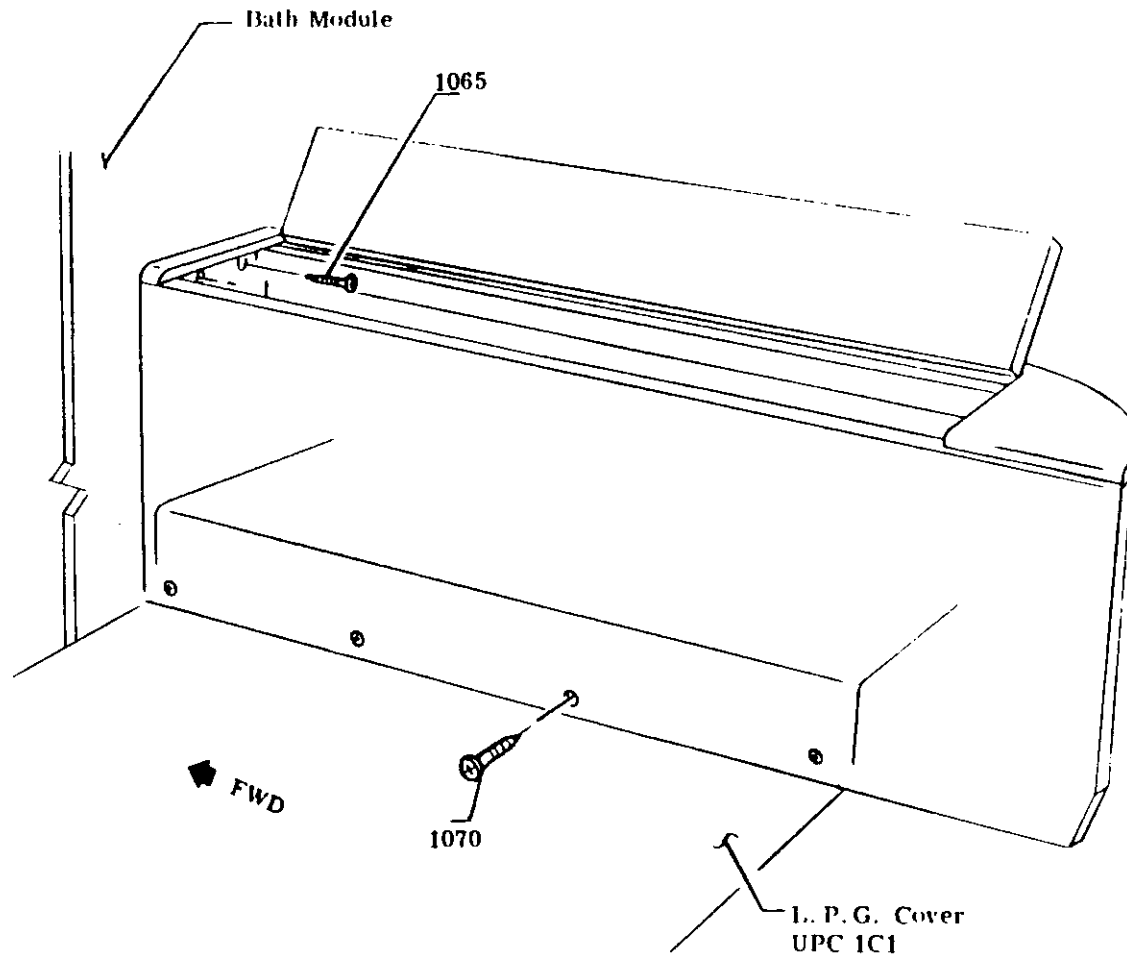
GMT 922 1/75



[NOTE] Install Rear Door Panel 0920 With Finger Pull Reversed as Shown - Secure Door Panel with Stop 1110 as Shown

DATE	SYM	REVISION	AUTH	DR	LR	DEPARTMENTS	TITLE
7-7-77		ORIGINAL RELEASE	47890	GS	27		78 TRUCK BOOK 70
							VANITY CABINET ZE06581
							NAME MOTOR HOME CABINETS
							DIVISION/UPC 1K9
							SHEET 16

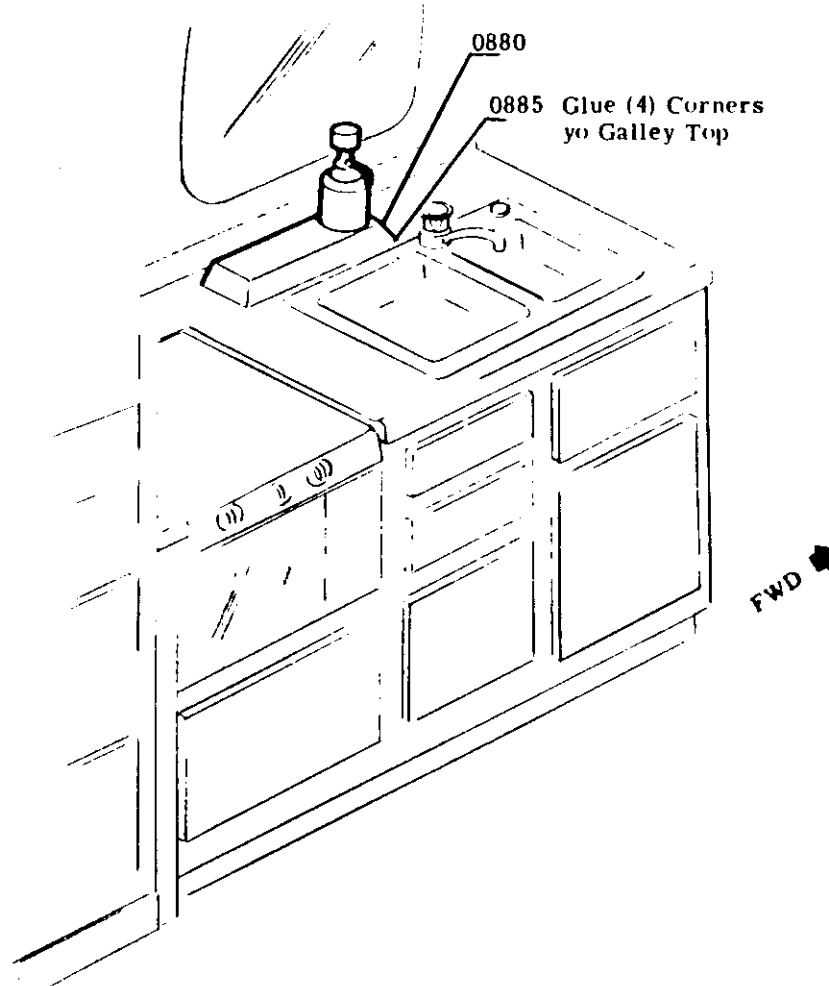
GMT 922 1/75



DYNAMIC (Installation) - LBS	HAND (Inspection) - LBS	DATE	SYM	REVISION	AUTH	DR	CR	DEPARTMENTS	78 TRUCK	BOOK 70
	▲ ▲ ▲ ▲	7/77		ORIGINAL RELEASE	470cc	6/2/77			TITLE	
									BEDDING LOCKER	
									ZEO6581	
									NAME MOTOR	DIVISION/UPC
									HOME	1K9
									CABINETS	SHEET 17



GMT 922 1/75



DYNAMIC (Installation) - LBS	MAWD (Inspection) - LBS	DATE	SYM	REVISION	AUTH	DN	CR	DEPARTMENTS	TITLE
		7.7.77		ORIGINAL RELEASE	57200	45	77		'78 TRUCK
									BOOK 70
									BEVERAGE DISPENSER
									W 697.698.641
									NAME MOTOR HOME CABINETS
									DIVISION/UPC
									1K9
									SHEET
									19





PRODUCT DESCRIPTION MANUAL

ASSEMBLY INFORMATION

GMT 1061 REV. 5/75

ITEM	QTY	PART OR TOOL DESCRIPTION	ADD'L DATA	QTY	PART NUMBER	MFG	ENGINE CODES	SERIES	BODY PRK	ITEM RESTRICTION	DEPARTMENTS		CHANGE		LOGIC CODE	FUNCTION CODE	ADDITIONAL CODES	FNA	LINE NOS
											#1	2/STA	CD	AUTH					
AA01014		RR VENT INSTL		*	L9552						0784								1.8
AA02014		VALLEY MODULE & STUDY INSTL		*	L6648						0784								1.10
AA04014		CLOSET MODULE		*	L7524						0784								1.17
AA05014		RF PNL & FRM ASM		*	MD12785						0784								1.16
AA06014		OVERHEAD CABINET		*	MD14088				685		0784								1.19
AA07014		GMC WOOD BURNING		*	MD12788						0784								1.22
AA08014		REFRIG/BATH & CLOSET INSTL		*	L6962						0784								1.25
AA09014		FRT RH OVERHEAD CABINET INSTL		*	L7539				685		0784								1.26
AA10014		VALLEY OVERHEAD CABINET INSTL		*	L7541						0784								1.31
AA11014		RR OVERHEAD CABINET INSTL		*	L7540						0784								1.34
AA12014		LOADING LOCKER INSTR		*	L6965						0784								1.37
AA13014		OVERHEAD CABINET INSTR		*	L6904						0784								1.40
AA14014		FTR CLSR INSTR		*	L6906						0784								1.43
AA15014		BATH MODULE INST		*	L7603						0784								1.45
AA16014		RR INTR TR INSTL		*	L6858						0784								1.47
AA17014		OVHD CABT LOCK INSTL		*	L9644						0784								1.49
AA20014		SKI BOOT & SHOE COMPT INSTL		*	L9215						0784								1.52
AA21014		RR OVHD FISHING ROD INSTL		*	L9403				ENN		0784								1.55

1		ZE06581	MODEL YEAR 1978
2			ORIGIN DATE 770726
3			LAST CHG. DATE
4			LAST CHG. CODE
5		MODEL APPLICATION MOTOR HOME BINETS	70 1K9 1
6	REFERENCE	UPC DESCRIPTION	BK U. P. C. GMP PAGE
7			

PRODUCT DESCRIPTION MANUAL

ASSEMBLY INFORMATION

GMT 1061 REV. 5/78

SMC TRUCK & COACH

ITEM	QTY	PART OR TOOL DESCRIPTION	ADD'L DATA	QTY	PART NUMBER	ENGINE CODES	SERIES	REV	ITEM RESTRICTION	DEPARTMENTS		CHANGE CD	LOGIC AUTH	FUNCTION CODE	ADDITIONAL CODES	LINE NOS
										#1	#2/STA					
AA20014	1	GLS G SPICE		*	L9017				ENT	0784						1.58
AA20024	1	WALK INSTL								0784						1.59
AA20014	1	BATH CR DRIP		*	L6448				697	0784						2.2
AA20024	1	MUDG INSTL								0784						2.3
AA20014	1	BATH CR SEAL		*	L6644				697	0784						2.5
AA20024	1	INSTL								0784						2.6
AA20014	1	BLANKET LUCKER		*	L6651				697	0784						2.8
AA20024	1	MUD INSTL								0784						2.9
AA20014	1	REV DISPR		*	L9302				697	0784						2.11
AA20024	1	CURPT INSTL								0784						2.12
AA20014	1	MICROWAVE OVEN		*	L4572				UND	0784						2.14
AA20024	1	INSTL								0784						2.15
AA20014	1	ENT DR ACISIS		*	L8930					0784						2.17
AA20024	1	STRAP INSTL								0784						2.18
AA20014	1	RR AIR SUSP		*	L9362					0784						2.20
AA20024	1	CONT INSTL								0784						2.21
AA20014	1	BATH VAN RR DR		*	L7548				VNW	0784						2.23
AA20024	1	STOP INSTL								0784						2.24
AA20014	1	READING CAMP & COVER		*	L6894					0784						2.26
AA20024	1	INSTL								0784						2.27
AA20014	1	REFRIG MUD		*	L8168					0784						2.29
AA20024	1	INSTL								0784						2.30
AA20014	1	BATH MUD ASM		*	L9737					0784						2.34
AA20014	1	FIRE EXT INSTL		*	L8767					0784	60893					2.34
0040AA	2	GASKET LWR VENT			2029465					0784	70		0000705285	M		2.36
0050AA	1	GASKET UPR VENT			2029464					0784	70		0000705290	M		2.38
0060AA	4	SCREW			273411					0784	70					2.40
0070AA	14	NUT			2248137					0784	70					2.44
0080AA	7	BOLT			110052					0786	78					2.44
0090AA	7	BOLT			110048					0786	78					2.46

1 2 3 4 5 6 7 8 9 10 11 12 13 14 15 16 17 18 19 20 21 22 23 24 25 26 27 28 29 30 31 32 33 34 35 36 37 38 39 40 41 42 43 44 45 46 47 48 49 50 51 52 53 54 55 56 57 58 59 60 61 62 63 64 65 66 67 68 69 70 71 72 73 74 75 76 77 78 79 80 81 82 83 84 85 86 87 88 89 90 91 92 93 94 95 96 97 98 99 100 101 102 103 104 105 106 107 108 109 110 111 112 113 114 115 116 117 118 119 120 121 122 123 124 125 126 127 128 129 130 131 132 133 134 135 136 137 138 139 140 141 142 143 144 145 146 147 148 149 150 151 152 153 154 155 156 157 158 159 160 161 162 163 164 165 166 167 168 169 170 171 172 173 174 175 176 177 178 179 180 181 182 183 184 185 186 187 188 189 190 191 192 193 194 195 196 197 198 199 200 201 202 203 204 205 206 207 208 209 210 211 212 213 214 215 216 217 218 219 220 221 222 223 224 225 226 227 228 229 230 231 232 233 234 235 236 237 238 239 240 241 242 243 244 245 246 247 248 249 250 251 252 253 254 255 256 257 258 259 260 261 262 263 264 265 266 267 268 269 270 271 272 273 274 275 276 277 278 279 280 281 282 283 284 285 286 287 288 289 290 291 292 293 294 295 296 297 298 299 300 301 302 303 304 305 306 307 308 309 310 311 312 313 314 315 316 317 318 319 320 321 322 323 324 325 326 327 328 329 330 331 332 333 334 335 336 337 338 339 340 341 342 343 344 345 346 347 348 349 350 351 352 353 354 355 356 357 358 359 360 361 362 363 364 365 366 367 368 369 370 371 372 373 374 375 376 377 378 379 380 381 382 383 384 385 386 387 388 389 390 391 392 393 394 395 396 397 398 399 400 401 402 403 404 405 406 407 408 409 410 411 412 413 414 415 416 417 418 419 420 421 422 423 424 425 426 427 428 429 430 431 432 433 434 435 436 437 438 439 440 441 442 443 444 445 446 447 448 449 450 451 452 453 454 455 456 457 458 459 460 461 462 463 464 465 466 467 468 469 470 471 472 473 474 475 476 477 478 479 480 481 482 483 484 485 486 487 488 489 490 491 492 493 494 495 496 497 498 499 500 501 502 503 504 505 506 507 508 509 510 511 512 513 514 515 516 517 518 519 520 521 522 523 524 525 526 527 528 529 530 531 532 533 534 535 536 537 538 539 540 541 542 543 544 545 546 547 548 549 550 551 552 553 554 555 556 557 558 559 560 561 562 563 564 565 566 567 568 569 570 571 572 573 574 575 576 577 578 579 580 581 582 583 584 585 586 587 588 589 590 591 592 593 594 595 596 597 598 599 600 601 602 603 604 605 606 607 608 609 610 611 612 613 614 615 616 617 618 619 620 621 622 623 624 625 626 627 628 629 630 631 632 633 634 635 636 637 638 639 640 641 642 643 644 645 646 647 648 649 650 651 652 653 654 655 656 657 658 659 660 661 662 663 664 665 666 667 668 669 670 671 672 673 674 675 676 677 678 679 680 681 682 683 684 685 686 687 688 689 690 691 692 693 694 695 696 697 698 699 700 701 702 703 704 705 706 707 708 709 710 711 712 713 714 715 716 717 718 719 720 721 722 723 724 725 726 727 728 729 730 731 732 733 734 735 736 737 738 739 740 741 742 743 744 745 746 747 748 749 750 751 752 753 754 755 756 757 758 759 760 761 762 763 764 765 766 767 768 769 770 771 772 773 774 775 776 777 778 779 780 781 782 783 784 785 786 787 788 789 790 791 792 793 794 795 796 797 798 799 800 801 802 803 804 805 806 807 808 809 810 811 812 813 814 815 816 817 818 819 820 821 822 823 824 825 826 827 828 829 830 831 832 833 834 835 836 837 838 839 840 841 842 843 844 845 846 847 848 849 850 851 852 853 854 855 856 857 858 859 860 861 862 863 864 865 866 867 868 869 870 871 872 873 874 875 876 877 878 879 880 881 882 883 884 885 886 887 888 889 890 891 892 893 894 895 896 897 898 899 900 901 902 903 904 905 906 907 908 909 910 911 912 913 914 915 916 917 918 919 920 921 922 923 924 925 926 927 928 929 930 931 932 933 934 935 936 937 938 939 940 941 942 943 944 945 946 947 948 949 950 951 952 953 954 955 956 957 958 959 960 961 962 963 964 965 966 967 968 969 970 971 972 973 974 975 976 977 978 979 980 981 982 983 984 985 986 987 988 989 990 991 992 993 994 995 996 997 998 999 1000	REFERENCE	7E065M1 MODEL APPLICATION MOTOR HOME CABINETS UPC DESCRIPT	MODEL YEAR 1978 ORIGIN DATE 770726 LAST CHG DATE 770927 LAST CHG CODE 60893 70 1K9 A 2 BK U P C IF PAGE
---	-----------	---	--

ASSEMBLY INFORMATION

ITEM	PART OR TOOL DESCRIPTION	ADD'L DATA	QTY	PART NUMBER	ENGINE CODES	SERIES	BUY BRK	ITEM RESTRICTION	EQUIV. PARTS		CHARGE AUTH.	LOGIC CODE	FUNCTION CODE	ADDITIONAL CODES	REF. NO.
									#1	#2					
0100AA	WASHER		14	120392					0786	78					2.4
0110AA	LOCK TITE		1	9985115					0786	78					2.50
0130AA	LOVER		4	791842					0786	78		0000765135			2.5
0140AA	SCREW		12	9414711					0786	78					2.5
0150AA	SCREW		3	161933					0784	67					2.5
0160AA	BOLT		2	9418922					0784	67					2.5
0170AA	SPACER		2	2393434					0784	67		0000675125			3.1
0180AA	SHIELD		1	2000270					0786	78		0000765140		M00752	3.3
0190AA	SCREW		4	9417276					0786	78					3.5
0200AA	NUT		2	7279500					0784	67					3.7
0210AA	LOCK TITE		1	9985115					0784	67					3.9
0220AA	BRKT MOD/MOD		1	791819					0784	67		0000675130		M00764	3.1
0230AA	SCREW BRKT		2	9414724					0784	67					3.1
0240AA	SCREW BRKT		2	9423753					0784	70					3.1
0250AA	BLOCK MOD/MOD		1	2015785					0784	67		0000675135		M00766	3.1
0260AA	SCREW		2	2016051					0784	67					3.1
0270AA	SCREW		2	9414727					0784	67					3.2
0280AA	SCREW		4	9414711					0784	67					3.2
0290AA	BRACKET		1	792167					0784	67		0000675140		M00331	3.2
0300AA	SCREW		3	9423753					0784	67					3.2
0310AA	BOLT		1	9419032					0784	67					3.2
0320AA	BOLT		1	9437566					0784	67	61390				3.3
0330AA	WASHER		3	9418304					0784	67					3.3
0340AA	WASHER		2	103320					0784	67					3.3
0350AA	ADHESIVE		1	RH37113					0784	67					3.3

ZE06581

MODEL APPLICATION
MOTOR HOME CABINETS

MODEL YEAR 11 78
ORIGIN DATE 770726
LAST CHG DATE 771012
LAST CHG CODE 61390

70 1K9 A 3

BK U P C C PAGE

PRODUCT DESCRIPTION MANUAL

ASSEMBLY INFORMATION

GMT 1961 REV. 5/75

EMERSON MOTOR

ITEM #	PART OR TOOL DESCRIPTION	ADD'L DATA	QTY	PART NUMBER	ENGINE CODES	SERIES	BOY BEND	ITEM DESCRIPTION	QUANTITY #1	QUANTITY #2	ENGINE CODE	FUNCTION CODE	ADDITIONAL CODES	QTY	UNIT
0307AA	SCREW		1	9419915					0784	67				000000	3.4
0308AA	SCREW		1	9423753					0784	67				000000	3.4
0309AA	BRACKET		2	2000001					0784	67		0000675145	000375	3.4	
0310AA	BOLT		4	9419004					0784	67				000378	3.4
0311AA	NUT		4	1494252					0784	67				000438	3.4
0312AA	NUT		4	455559					0784	67				000485	3.4
0313AA	SCREW		4	131577					0784	67				000490	3.5
0400AA	LOCK TITE		*	9985115					0784	67				000495	3.5
0410AA	BOLT		2	9437568					0784	67	61390			000550	3.5
0420AA	WASHER		2	9418304					0784	67				000555	3.5
0440AA	NUT		2	1494253					0784	67				000558	3.5
0450AA	LOCK TITE		*	9985715					0784	67				000560	3.5
0460AA	SCREW		4	9423753					0784	67				998562	3.5
0470AA	COVER LP RR		2	790962					0786	80		0000805160	000560	3.6	
0475AA	SCR LP CVR		2	9414711					0786	80				000576	3.6
0480AA	ADHESIVE		*	RH37113					0786	78				000585	3.10
0490AA	COVER		1	793336					0786	78		0000785145	000580	3.12	
0500AA	SCREW		3	9415940					0786	78				000584	3.1
0510AA	ADHESIVE		*	RH37113					0786	78				23120	3.16
0520AA	PAD ASM		1	790353					0786	79		0000795020	000580	3.18	
0550AA	SCREW		5	155941					0786	79				000605	4.20
0560AA	MIRROR ASM		1	791662					0784	67		0000675150	000390	4.22	
0570AA	MODULE GALLEY		1	2026574			697-UND		0784	67		0390675155	W 00050	4.24	
0570AB	MODULE GALLEY		1	2027917			685		0784	67		6037675155	W 00050	4.25	
0570AC	MODULE GALLEY		1	2028125			641-UND		0784	67		0389675155	W 00050	4.26	
0570AD	MODULE GALLEY		1	2029506			UNDE698/697		0784	67	600176897675155	W 00050	4.27		
0570AE	MODULE GALLEY		1	2029507			UNDE641		0784	67	600176900675155	W 00050	4.28		
0570AF	MODULE GALLEY		1	2026579			698-UND		0784	67		0392675155	W 00050	4.29	

1
2
3
4
5

ZE06581

MODEL YEAR 1978
 DESIGN DATE 770726
 LAST CHG DATE 771012
 LAST CHG CORR 61390
 70 1K9 4
 BK U P C C PAGE

MODEL APPLICATION
 MOTOR HOME VINETS
 UPC DESCRIPTION

EMMS

REFERENCE

PRODUCT DESCRIPTION MANUAL

ASSEMBLY INFORMATION

ITEM	PART OR TOOL DESCRIPTION	ADD'L DATA	QTY	PART NUMBER	ENGINE CODES	SERIES	BOY BHM	ITEM RESTRICTION	DEPARTMENTS		CHANGE		LOC. CODE	FUNCTION CODE	ADDITIONAL CODES	FNA
									#1	#2/STA	CD	AUTH				
0580AA	MODULE CLOSET		1	2032162				641/697/698/685	0784	67	03724604	0162			00590	4
0585AA	SCREW FAL TO CLOS		3	9414737				UND	0784	67						4
0590AA	MODULE REFRIG		1	2029344				641/697/698/685	0784	67	60406					4
0600AA	CABINET ASM RH		1	2016730				-ENA/685	0786	78	038071391785150				00800	4.3
0600AB	CABINET ASM RH		1	2000338				685	0786	78	603785150				00600	4.3
0610AA	CABINET ASM LH		1	2016730					0786	78	038070000785152					4.4
0620AA	CABINET RH RR		1	2016729				697	0786	78	3461785155				01630	4.4
0620AB	CABINET RH RR		1	2016729				641/698	0786	78	038073616785155				01630	4.4
0630AA	CABINET LH RR		1	2016728				697	0786	78	3461785160				01640	4.4
0630AB	CABINET LH RR		1	2016728				641/698	0786	78	038073616785160				01640	4.4
0640AA	CABINET GALLEY		1	2016727				697	0786	78	3461785165				01700	4.5
0640AB	CABINET GALLEY		1	2016727				641/698	0786	78	038073616785165				01700	4.5
0645AA	EXTINGUISHER FIR		1	791178					0758	100	0000105025					4.5
0650AA	SCREW FIRE EXT		2	9414711					0758	100						4.5
0660AA	BOLT		4	180048					0786	79						4.5
0670AA	BOLT		4	180052					0786	78						4.5
0680AA	WASHER		8	120392					0786	79						4.5
0690AA	NUT		8	2248137					0786	79						5.2
0700AA	LOLA		*	9985115					0786	79						5.4
0710AA	SCREW		4	9417307					0786	78						5.6
0720AA	WASHER		4	120392					0786	78						5.6
0730AA	NUT		4	9422273					0786	78						5.10
0740AA	PANEL REFRIG		1	2009882				641	0784	67	3477675165					5.12
0740AB	PANEL REFRIG		1	790093				697/698	0784	67	3520675165					5.12
0740AC	PANEL REFRIG		1	2027938				685	0784	67	6037675165					5.12
0750AA	PANEL REFRIG		1	2009883				641	0784	67	3477675170					5.16
0750AB	PANEL REFRIG		1	790094				697/698	0784	67	3520675170					5.16
0750AC	PANEL REFRIG		1	2027939				685	0784	67	6037675170					5.16

	ZE06581	MODEL YEAR 1978
	MODEL APPLICATION	ORIGIN DATE 770726
	MOTOR H CABINETS	LAST CHG DATE 770811
	UPC DISCRI	LAST CHG CODE 3726
F.M.V.	REFERENCE	76 1' A 5 BK. U. P. QTY PAGE

PRODUCT DESCRIPTION MANUAL

ASSEMBLY INFORMATION

PART OR TOOL DESCRIPTION		ADD'L DATA	QTY	PART NUMBER	TO D	ENGINE CODES	% PHS	BODY	ITEM RESTRICTION	DEPARTMENT #	2-STA	CD	CHARGE AUTH	CORR CODE	FUNCTION CODE	APPROX. PRICE	UNIT
0770AA	LOCK SET SEC		1	2030075					LNA-LNN/U97	0782	38		CORR	0401380190	W	30050	5.2
0770AB	LOCK SET SEC		1	2028776					ENNAENN-U97	0782	38		CORR	0402380190	W	30050	5.2
0770AC	LOCK SET SEC		1	2030076					ENN-LNA/U97	0782	38		CORR	0403380190	W	30050	5.2
0770AD	LOCK SET SEC		1	2030077					U97ENN-LNA	0782	38		CORR	0404380190	W	30050	5.2
0770AE	LOCK SET SEC		1	2030078					U97ENNA-ENN	0782	38		CORR	0405380190	W	30050	5.2
0770AF	LOCK SET SEC		1	2030116					U97ENNAENN	0782	38		CORR	0406380190	W	30050	5.2
0770AA	PLATE LK		1	2030224					ENA/ENN	0786	79			0410795030	W	30075	5.7
0770AA	SCREW LK PLT		2	9411529					ENA/ENN	0786	79					30075	5.30
0800AA	CATCH LK STR		1	2030223					ENA/ENN	0786	79			0410795035	W	30075	5.3
0800AA	SCREW LK CATCH		2	9437760					ENA/ENN	0786	79		61390			30075	5.3
0810AA	CABINET GUN		1	2033435					ENA	0786	79		03807041795040	W	30250	5.26	
0810AA	BOLT GUN CABT MTG		4	180046					ENA	0786	79					30275	5.38
0820AA	BOLT GUN CABT MT		4	180052					ENA	0786	79					30275	5.38
0850AA	CAB FISH EQUIPT		1	2033437					ENN	0786	79		038070422795045	W	30000	5.24	
0850AA	SCR FISH CABT		6	149031					ENN	0786	79					30000	5.24
0870AA	ELSESPICE RACK		1	2028110					ENT	0784	67			0424675180	W	29000	5.46
0870AA	SCR RACK MTG		4	9419791					ENT	0784	67					29025	5.48
0880AA	LEV DISPK CMP		1	2027812					697/698/641	0784	71			3472715110	W	00060	5.50
0880AA	ADH BEV DISPR		1	8860955					697/698/641	0784	71					00070	5.52
0890AA	MODULE ASM BATH		1	2030660					641/685/697/698	0784	67			6040675185	W	11000	5.54
0890AA	MODULE BATH		1	791242					641/685/697/698	0784	67			6040675190	W	11000	5.54

1 2 3 4 5		ZF06581	
1 M V S S	REFERENCE	MODEL APPLICATION MOTOR HOME CABINETS	MODEL YEAR 78 ORIGIN DATE 770126 LAST CHG DATE 771012 LAST CHG CODE 61390 70 1K9 / 6 BK U P C G PAGE



PRODUCT DESCRIPTION MANUAL
ASSEMBLY INFORMATION

ITEM	S E Q	P L S	PART OR TOOL DESCRIPTION	ADD'L DATA	QTY	PART NUMBER	ENGINE CODES	SERIES	REV BRK	ITEM RESTRICTION	DEPARTMENTS		CHANGE		LOGIC CODE	FUNCTION CODE	ADDITIONAL CODES	LINE NOS
											#1	2/STA	CD	AUTH				
0900AA			SCREW BATH MLOG		5	9425799				641/685/697/698	0784	67						6.9
0901AA			SLIDE		4	791194					0784	67			0000675195		M	6.10
0902AA			SHOWER CURTAIN		2	791756			697		0758	100	REPRC		3461105080		M	6.11
0903AA			SHOWER CURTAIN		2	2000327			698		0758	100	REPRC		3464105080		M	6.12
0904AA			SHOWER CURTAIN		2	2027434			685		0758	100	REPRC		6037105080		M	6.13
0905AA			SHOWER CURTAIN		2	2010793			641		0758	100	REPRC		3477105080		M	6.14
0906AA			DOOR VAN CABT		2	791174			697		0786	79			3461795055		M	6.18
0907AA			DOOR VAN CABT		2	2000328			695		0786	79			3464795055		M	6.19
0908AA			DOOR VAN CABT		2	2027937			685		0786	79			6037795055		M	6.20
0909AA			DOOR VAN CABT		2	2016410			641		0786	79			3477795055		M	6.21
0920AA			LOCKER ASM BED		1	2000330				641/685/697/698	0784	67			6040675270		M	6.23
0921AA			CLOSURE HTR		1	2000329				641/685/697/698	0784	67			6040675275		M	6.24
0922AA			SLIDE SHOWER CURT		20	715448					0784	67			0000675210		M	6.27
0940AA			DOOR VAN CABT FR		1	791173					0784	67			0000675215		M	6.29
0945AA			COVER BATH VAN		1	791844					0786	79			0000795060		M	6.31
0950AA			RIVET MED VAN		6	791191					0784	67						6.33
0955AA			SCREW		6	9414713					0784	67						6.35
0960AA			RIVET		2	9436698					0784	67						6.37
0965AA			TISSUE HOLDER ASM		1	790341					0786	79			0000795065		M	6.39
0970AA			SCREW		4	161802					0786	79						6.41
0975AA			ERRT MOD TO SUPT		2	2000552					0784	67			0000675230		M	6.43
0980AA			SCREW BRKT		6	161933					0784	67						6.45
0985AA			MIRROR MED CABT		2	790990					0786	79			0000795070		M	6.47
0990AA			SCREW-MOD TO FR		2	9418918					0784	67						6.49
0995AA			WJT		2	1494253					0784	67						6.51
1000AA			LOCK TITL		4	9965118					0784	67						6.53
1005AA			ERRT CASE SUPT		1	2436650					0784	67			0000675240		M	6.55

F M V 8 8	REFERENCE	2E06581	MODEL YEAR 1978
			ORIGIN DATE 770726
			LAST CHG DATE 770927
		MODEL APPLICATION	LAST CHG CODE 60693
		MOTOR HUB CABINETS	70 1K9 A 7
		UPC DESCRIP	BN V P C QRP PAGE

PRODUCT DESCRIPTION MANUAL

ASSEMBLY INFORMATION

QMT 1081 REV. 5/78

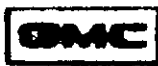
GMC TRUCK & COACH

ITEM	QTY	PART OR TOOL DESCRIPTION	ADD'L DATA	QTY	PART NUMBER	ENGINE CODES	SERIES	BODY	ITEM RESTRICTION	DEPARTMENTS		CHANGE		LOGIC CODE	FUNCTION CODE	ADDITIONAL CODES	FNA	LINE NOS
										#1	2/STA	CD	AUTH					
1011AA		SCR BASE SUPT BRK		3	161933					0784	67							6.57
1012AA		SCR BASE TO FLK		8	150674					0784	67							6.59
1013AA		SEAL ADILES		*	RH37113					0784	67							7.2
1023AA		STOP CLOSET DR		1	791684					0784	67			0000675245			M	7.4
1024AA		STRAP ENT DR		1	9606320					0784	67			0000675250			M	7.6
1033AA		BOLT ENT DR STR		2	9419006					0784	67							7.8
1040AA		WA ENT DR BOLT		2	3774252					0784	67							7.10
1043AA		WA LK ENT DR		2	103319					0784	67							7.12
1070AA		NUT ENT DR		2	9419912					0784	67							7.14
1061AA		GLADNER AIR COMP		1	2027281					0784	67			0000675255			M	7.16
1063AA		SCR EED LKR BHD		1	9414739					0784	67							7.18
1072AA		SCR EED LKR		4	9425804					0784	67							7.20
1073AA		FRKT HTR CLSK		2	792171					0784	67			0000675280			M	7.22
1062AA		SCR HTR BKKT		4	9414722					0784	67							7.24
1064AA		SCR CLSK TO BKKT		2	798301					0784	67							7.26
1060AA		SCR CLSK BKKT		3	9426442					0784	67							7.28
1053AA		NUT CLSK BKKT		5	9433078					0784	67							7.30
1100AA		DRKT		1	2000762					0784	67			0000675285			M	7.32
1103AA		RIVET BKKT		3	700364					0784	67							7.34
1110AA		SLIDE MEDEVAN		1	2000252			VNW808		0786	79			1135795075			M	7.36

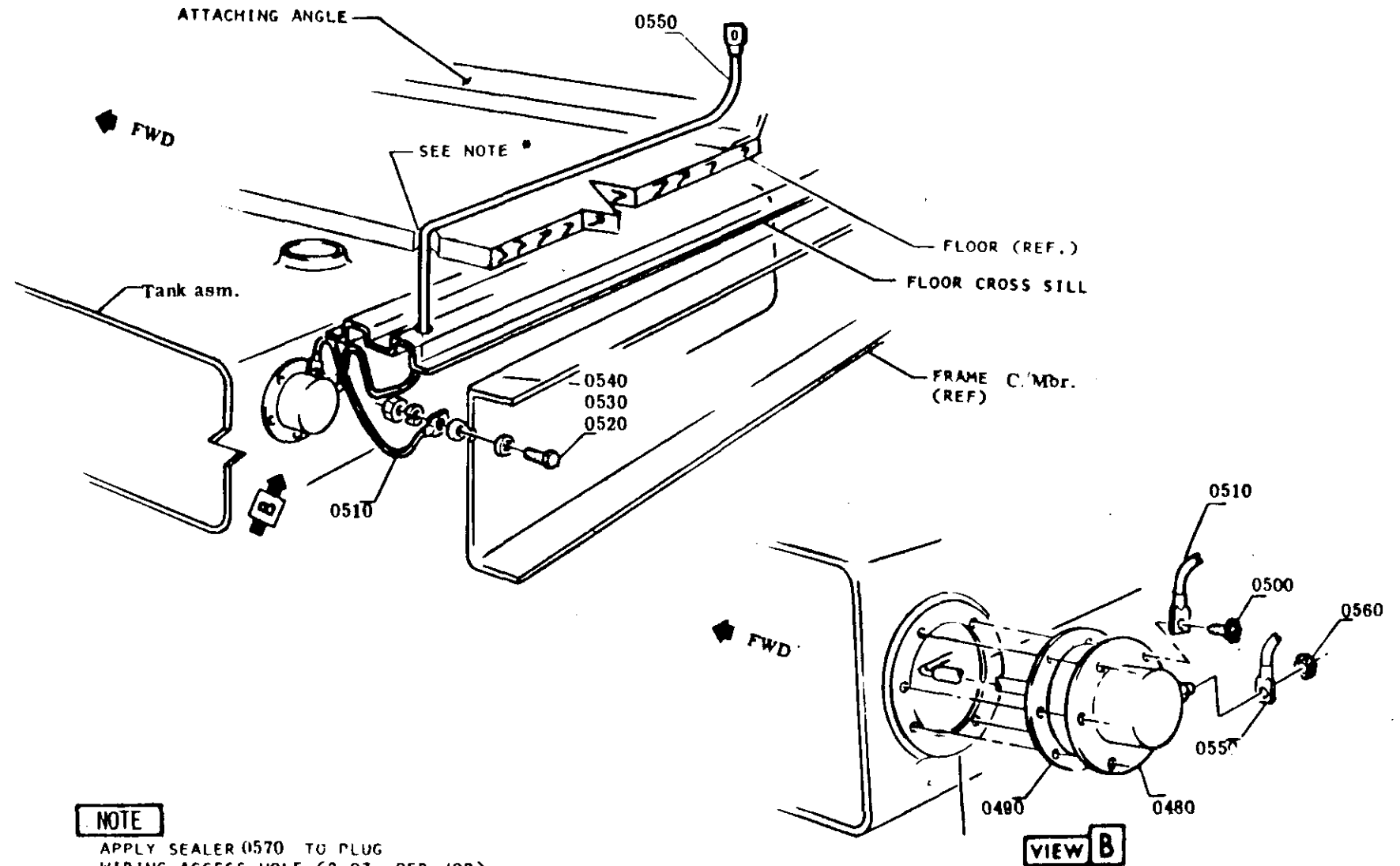
ZED6581

MODEL APPLICATION
MOTOR HOV CABINETS
UPC DESCRIPTION

MODEL YEAR 1978
ORIGIN DATE 770726
LAST CHG. DATE 770927
LAST CHG. CODE 0893
70 1K A 8
BR U P C J M PAGE



GMT 922 1-73



NOTE

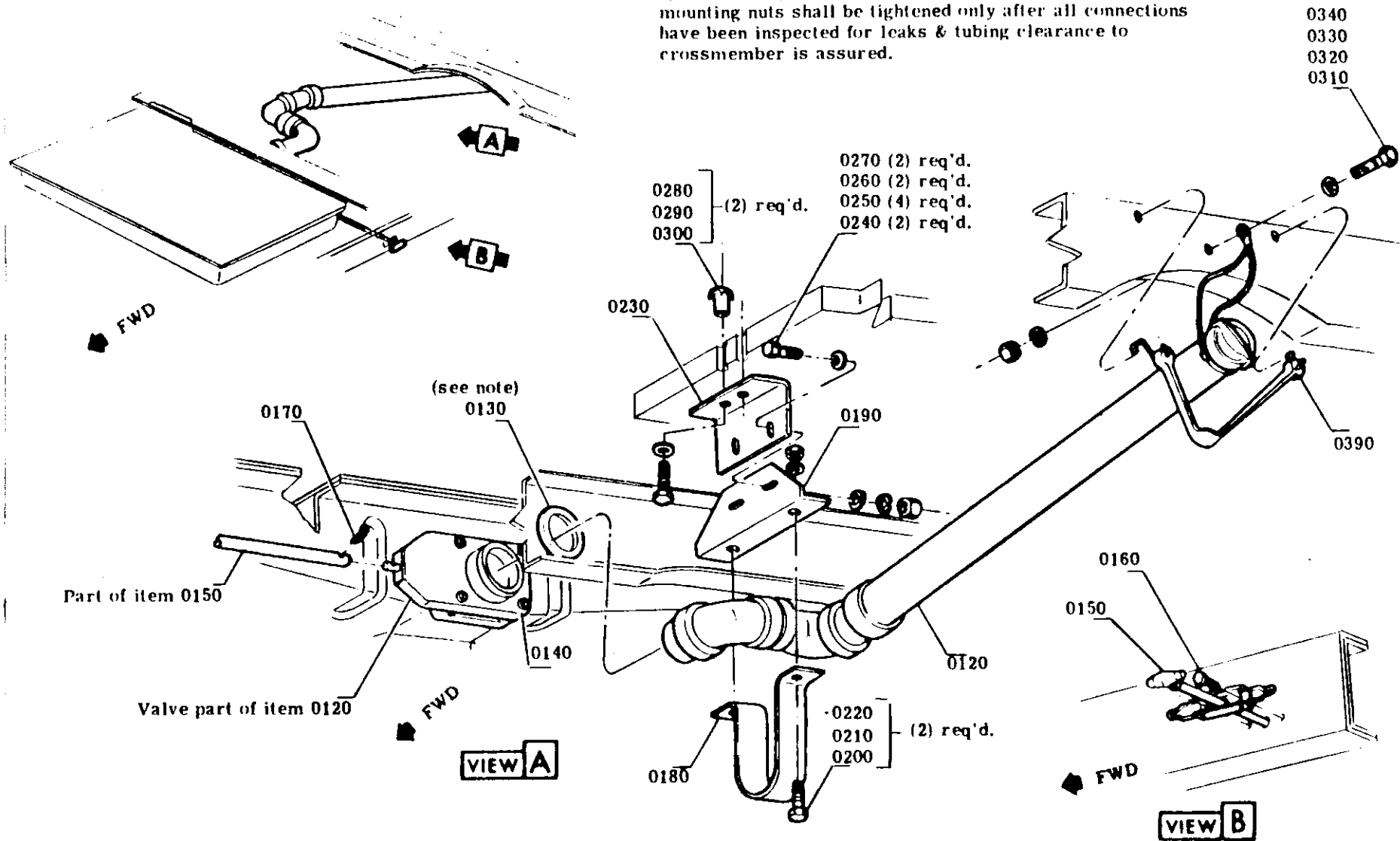
APPLY SEALER (0570 TO PLUG WIRING ACCESS HOLE (2 OZ. PER JOB)

BY NAME (Installation) - LBS	MAINT (Inspection) - LBS	DATE	SYM	REVISION	AMT	DR	CR	DEPARTMENTS	TITLE
				ORIGINAL RELEASE	47000	Jan		THOMPSON	'78 TRUCK BOOK 70
									HOLDING TANK-SENDING UNIT
									Z E06581
									NAME: HOLDING TANK
									NUMBER: 1K9A
									SHEET: 1



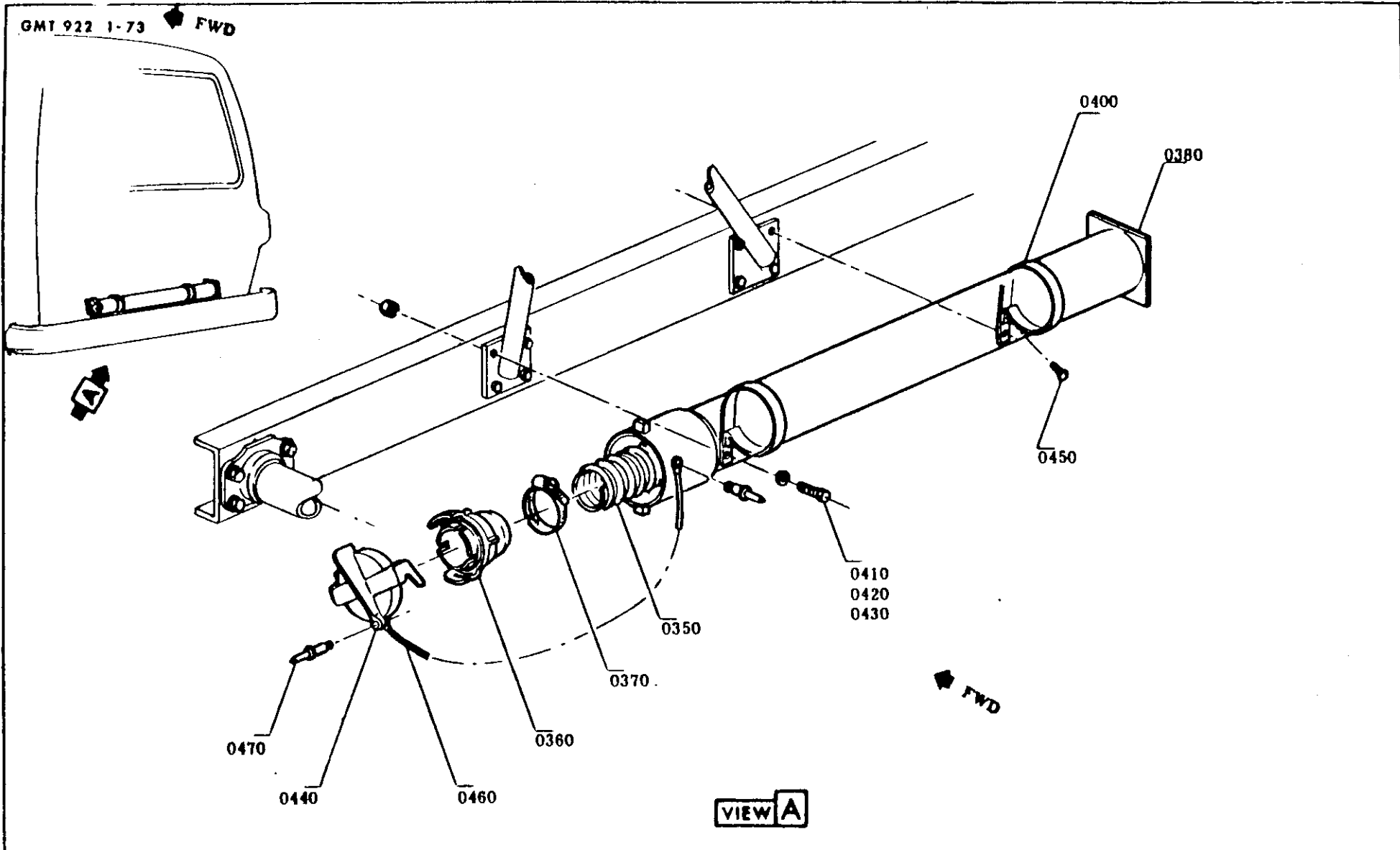
GMT 924 1-73

NOTE Tubing must not touch crossmember. Tank mounting nuts shall be tightened only after all connections have been inspected for leaks & tubing clearance to crossmember is assured.



DYNAMIC (Installation) - LBS	HAND (Inspection) - LBS	DATE	SYM	REVISION	AUTH	DR	CK	DEPARTMENTS	TITLE	BOOK
				ORIGINAL RELEASE	1700				'78 TRUCK	BOOK 70
									DRAIN HOSE TO HOLDING TANK & BODY ZE06581	
									HOLDING TANK	3
									1K9A	

- ▲
- ▲
- ▲
- ▲
- ▲



DYNAMIC (Installation) - LBS	HAZARD (Inspection) - LBS	DATE	SYM	REVISION	AUTH	DR	CR	DEPARTMENTS
▲				ORIGINAL RELEASE	4/1000	JK		MANUFACTURING
▲								
▲								
▲								
▲								

78 TRUCK		BOOK 70
TITLE SEWER HOSE STORAGE ZE06581		
NAME HOLDING TANK	DIVISION 1K9A	SHEET 4

PRODUCT DESCRIPTION MANUAL

ASSEMBLY INFORMATION

GMT 1061 REV. 5/78

GMC TRUCK & COACH

ITEM #	PART OR TOOL DESCRIPTION	ADD'L DATA	QTY	PART NUMBER	U/D	ENGINE CODES	SERIES	RDY BRK	ITEM RESTRICTION	DEPARTMENTS		CHANGE		LOGIC CODE	FUNCTION CODE	ADDITIONAL CODES	LINE NOS
										#1	2/STA	CD	AUTH				
AA1014	HOLDING TANK		*	19364						0754							1.8
AA1024	INSTR									0754							1.9
AA2014	HOLDING TANK		*	19364						0752							1.11
AA2024	INSTR									0752							1.12
CC304A	HOLDING TANK ASM		1	2020382					-ANZ	0754	90			1383900005		M	1.19
CC104B	HOLDING TANK ASM		1	791646					ANZ	0754	90			1385400005		M	1.20
CC504A	ADAPTER ASM		1	797240						0754	90			0000900010		M	1.22
CC404A	NIPPLE BATH INL		1	790052						0754	90			0000900015		M	1.24
CC454A	LINKING BRN		1	3876138						0754	90			0000900020		M	1.26
CC504A	TAPE TEFLON		*	9985189						0754	90						1.28
CC604A	LUB LINKING		*	9985007						0754	90						1.30
CC704A	HRK HD TR MTG		2	646092						0754	88			0000880020		M	1.32
CC804A	COLT & WA ASM		4	2023470						0754	65						1.34
CC104A	WA HD TR MTG		4	9421042						0754	88						1.36
CC114A	WJ HD TR MTG		4	9422277						0754	88						1.38
CC124A	TUBE ASM HD TR		1	714359						0754	90			0000900025		M	1.40
CC134A	GASKET VLV MT		1	604380						0754	90			0000900030		M	1.42
CC144A	SCREW VLV MT		4	9422176						0754	90						1.44
CC154A	HANDLE ASM		1	693762						0754	90			0000900035		M	1.46
CC164A	SCREW		2	9421073						0754	90						1.48
CC174A	PIN VLV HDL		1	103385						0754	90						1.50
CC184A	CLAMP TEE SUPT		1	2439071						0754	90			0000900040		M	1.52
CC194A	TKRT HDL TR		1	741379						0754	88			0000880025		M	1.54
CC204A	SOFT SUPT		2	9417950						0754	88						1.56

	ZE06581	MODEL YEAR 1978 ORIGIN DATE 770726 LAST CHG. DATE 770927 LAST CHG. CODE
MODEL APPLICATION MOTOR HOME HOLDING TANK	UPC DESCRIPTION	70 1K9A A 1 BK. U. P. C. * PAGE

PRODUCT DESCRIPTION MANUAL

ASSEMBLY INFORMATION

QMS 1061 REV. 5/75

PART NUMBER

ITEM NO.	PART OR TOOL DESCRIPTION	ADD'L DATA	QTY	PART NUMBER	ENGINE CODES	SERIES	MFG MARK	ITEM RESTRICTION	DEPARTMENTS		CHANGE CD	CHANGE AUTH	LOGIC CODE	FUNCTION CODE	ADDITIONAL CODES	UNIT COST
									#1	#2						
0210AA	WA LK BOLT		2	103320					0754	88					02500	1.50
0220AA	NUT BOLT		2	9417954					0754	88					02500	2.1
0230AA	FRKT TK TUBE		1	791380					0754	88			0000880030		02500	2.3
0240AA	BOLT TK TUBE		2	9417950					0754	88					02500	2.5
0250AA	WA TK TUBE		4	9418304					0754	88					02700	2.7
0260AA	WA LK		2	103320					0754	88					02700	2.9
0270AA	NUT		2	9417954					0754	88					02800	2.1
0280AA	BOLT TK TUBE		2	9437568					0784	65	61390				02800	2.1
0290AA	WA TK TUBE		2	103320					0754	88					03000	2.15
0300AA	NUT TK TUBE		2	453838					0754	88					03100	2.17
0310AA	BOLT TUBE SUPT		1	9419004					0754	88					03200	2.19
0320AA	WA TUBE SUPT		1	120392					0754	88					03400	2.21
0330AA	WA LK TUBE SUPT		1	103319					0754	88					03400	2.23
0340AA	NUT TUBE SUPT		1	9419912					0754	88					03500	2.25
0350AA	HOSE HLD TK		1	699861					0752	80			0000800025		03600	2.27
0360AA	FITTING		1	697654					0752	80			0000800030		03700	2.29
0370AA	CLAMP ASM		1	9139812					0752	80			0000800035		03800	2.31
0380AA	TUBE ASM		1	699714					0752	80			0000800040		03900	2.33
0390AA	STRAP ASM		1	710307					0754	88			0000880032		04000	2.35
0400AA	FRKT TB MTG		2	718101					0752	80			0000800050		04100	2.37
0410AA	BOLT TUBE MTG		2	9418822					0752	80					04200	2.39
0420AA	WA TUBE MTG		2	2436163					0752	80					04300	2.41
0430AA	NUT TUBE MTG		2	9422277					0752	80					04400	2.43
0440AA	CAP STOR TUBE		1	711231					0752	80			0000800055		04500	2.45
0450AA	SCREW BRKT		2	9427682					0752	80					04600	2.47

ZE06581

MODEL APPLICATION
MOTOR HOME HOLDING TANK
UPC DESCRIPTION

MODEL YEAR 1978
ORIGIN DATE 770726
LAST CHG DATE 771012
LAST CHG CODE 61390
70 1K9A 2
HK U P C PAGE

REFERENCE

PRODUCT DESCRIPTION MANUAL

ASSEMBLY INFORMATION

DMT 1081 REV. 8/78

GENE FINCK & COACH

ITEM	SEQ	PART OR TOOL DESCRIPTION	ADD'L DATA	QTY	PART NUMBER	ENGINE CODES	SERIES	REV	ITEM RESTRICTION	DEPARTMENTS		CHANGE		LOGIC CODE	FUNCTION CODE	ADDITIONAL CODES	FNA	LINE NOB
										#1	2/STA	CD	AUTH					
0460AA		CABLE ASM CAP		1	710300					0752	80			0000	800060			2.49
0470AA		RIVET CAP CABLE		2	2397327					0752	80							2.51
0480AA		UNIT ASM SENDING		1	6429587					0754	90			0000	900045			2.53
0490AA		GASKET		1	1516395					0754	90			0000	500050			2.55
0500AA		SCREW		5	9421073					0754	90							2.57
0510AA		WIRE TK GRD		1	2987004					0754	90			0000	900015			2.59
0520AA		BOLT TK GRD		1	9419004					0754	90							3.2
0530AA		WA MTG BOLT		2	9419892					0754	90							3.4
0540AA		NUT MTG BOLT		1	271178					0754	90							3.6
0550AA		WIRE SEND		1	R913679					0754	90			0000	900010			3.8
0560AA		NUT & WA ASM		1	2711149					0754	90							3.10
0570AA		SEALER		2	9981074					0754	90							3.12

ZF06581

MODEL YEAR 1978
 ORIGIN DATE 770726
 LAST CHG. DATE
 LAST CHG. CODE

MODEL APPLICATION
 MOTOR HOME HO NG TANK
 UPC DESCRIPTION

70 1K9A A 1
 BK V. P. C. GPF 108