



GMT 922 1/75

**FIVE STEPS FOR USING THE PRODUCT DESCRIPTION MANUAL**

- |  |   |
|--|---|
| <p><b>STEP #1 - MODEL INFORMATION SOURCE</b></p> <p>A. Production Data Broadcast</p> <ol style="list-style-type: none"> <li>1. line-up sheet</li> <li>2. sales order</li> <li>3. engineering specifications</li> <li>4. sales data book</li> </ol> | <p>GIVES MODEL IDENTIFICATION</p>               |
| <p><b>STEP #2 - MODEL DESCRIPTION CHART</b></p> <p>A. Found at the Beginning of Each P. D. M. Set</p>  | <p>GIVES PDM BOOK NUMBER</p>                    |
| <p><b>STEP #3 - U. P. C. INDEX DESCRIPTION LIST</b></p> <p>A. Found at the Beginning of Each P. D. M. Set in UPC - Zero, a Specific U. P. C. Index will be Attached for that Book</p>  | <p>GIVES VEHICLE AREA OF INSTALLATION</p>       |
| <p><b>STEP #4 - U. P. C. SECTION INDEX GRAPHIC SHEETS</b></p> <p>A. Found at the Beginning of Each UPC Section</p>   | <p>GIVES PICTORIAL INSTALLATION INFORMATION</p> |
| <p><b>STEP #5 - ASSEMBLY INFORMATION PARTS LISTING</b></p>   | <p>GIVES PART NUMBER AND APPLICATION</p>        |

DYNAMIC (Installation) - LOS	HAND (Inspection) - LOS			DIVISION					DEPARTMENTS	<b>ALL BOOKS</b>
▲ ▲ ▲ ▲		DATE	SYM	AUTH	DR	CR				TITLE
		2/2/77		ORIGINAL RELEASE		157K				P. D. M. USAGE INSTRUCTIONS
										NAME
										DIVISION/UPC
										SHORT
										<b>2</b>
										CONTENT

GAT 922 1/73

STEP #1

**DETERMINE THE MODEL IDENTIFICATION FROM BROADCAST INFORMATION**

**Other Sources of Information**

- A. Truck Line-Up Sheets
- B. Sales Order
- C. Engineering Specifications
- D. Sales Data Book

**For Interpretation of Model Designation See UPC - O at the Front of the First Volume of Each Book for a Model Designator Description.**


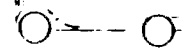

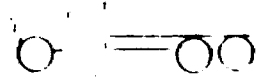
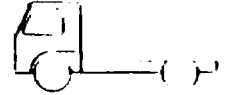
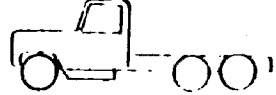
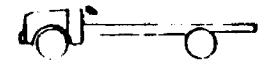
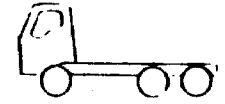
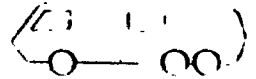
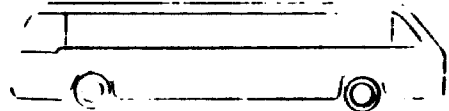
The Index is on page 22 thru 24 and is hyperlinked

SYMBOL (Production) - CP	SYMBOL (Inspection) - LP	DATE	SYM	REVISION	AUTH	DR	CR	DEPARTMENTS	<b>ALL BOOKS</b>		
▲		2/73		ORIGINAL RELEASE	-	PER			TITLE P. D. M. USAGE INSTRUCTIONS		
▲									NAME CONTENT		
▲									DIVISION/UPC		SHEET <b>3</b>
▲											
▲											
▲											

GMT 922 1/75

STEP -2

SELECT THE PROPER BOOK NUMBER AS INDICATED ON THE CHART

BOOK NUMBER	MODEL	DESCRIPTION	
1	C 30	LIGHT DUTY CONVENTIONAL	
4	C M 50, 60, 65	MEDIUM DUTY CONVENTIONAL	
6	P 4500	PIE WAGON (CHASSIS)	
7	M J M 75-9500	HEAVY DUTY CONVENTIONAL	
10	D F 9502	ALUMINUM TILT (ASTRO)	
11	M N 9500	HEAVY DUTY (GENERAL)	
12	S 6000	SCHOOL BUS CHASSIS	
14	T 6000	STEEL TILT	
70	ZEO	MOTOR HOME & COMMERCIAL	
80	RTS	COACH	

PYRAMID (Installation)-105 ▲ ▲ ▲ ▲	DATE 6-277	SYM	REVISION ORIGINAL RELEASE	AUTH	DR	CR	DEPARTMENTS	<b>ALL BOOKS</b>		
								TITLE P. D. M. USAGE INSTRUCTIONS		
								NAME CONTENT	DIVISION/PLC	SHEET 4











GMT 922B 1/75

Name of parts or special tool number required for installation. This column also denotes torque required on attaching hardware.

For computer use. \*denotes torque specification.

Sequence number is used to identify multiple usage of the same item number.

Item number corresponds to the number shown on the graphic sheet in the same UPC.

For Broadcast use only.

Quantity of parts required for application.

Model for body type.

Engine type.

GVW series (Gross Vehicle Weight).

ITEM	QTY	PART OR TOOL DESCRIPTION	ADD'L DATA	QTY	PART NUMBER	ENGINE CODES	MODEL	GVW
0010AA	1	Pedal Asm. Brk.		1	709845			
0020AA	1	Cover Brk. Ped.		1	3898614			
0030AA	1	Br. Brk. & Clu. Pd.		1	695543			
0040AA	1	Reinf. Brace		1	695267			
0070AA	2	Bushing Brk. Ped.		2	3769302			
0090AA	1	Sleeve Brk. Ped.		1	3889806			
0120AA	1	Bumper Brk. Ped.		1	3978807			
0130AA	1	Rod Brk. Ped. Push		1	709705			
0140AA*	1	Bolt Push Rod		1	3908579			
0150AA	1	C Pin Push Rod		1	103385			
0170AA	1	Spng.		1	704452			

NOTE: If these three are left blank, parts apply to all models.

(Upper LH corner of P. D. M. Assembly Information Sheet)

BY (Name) - (LS)	NAME (Inspection) - (LS)	DATE	SYM	REVISION	AUTH	DR	CR	DEPARTMENTS	<b>ALL BOOKS</b>
		3/25/77		ORIGINAL RELEASE					
TITLE P. D. M. USAGE INSTRUCTIONS									
NAME			DIVISION / UPC			SHEET			9
CONTENT									



# PRODUCT DESCRIPTION MANUAL

## ASSEMBLY INFORMATION

GMT 1001 REV. 8/78

ITEM	DESCRIPTION	ADD'L DATA	PART NUMBER	ENGINE CODES	SERIES	ITEM RESTRICTION	DEPARTMENTS		CHANGE		LOGIC CODE	FUNCTION CODE	ADDITIONAL CODES	TIME /105
							#1	2/STA	CD	AUTH				
	MVSS STD. 104 CAT. 1 WINDSHIELD WIPING AND WASHING SYSTEM)													1.0
	DUE CARE MUST BE EXERCISED DURING THE INSTALLATION OF WINDSHIELD WIPER MECHANISM, WIPER ARM AND BLADE TO ELIMINATE THE POSSIBILITY OF MISALIGNMENT, BINDING OR MALFUNCTION.													1.1 1.12
	ALL WINDSHIELD WASHER AIR AND WASHER SOLVENT FITTINGS, CONNECTORS AND HOSES MUST BE CHECKED TO INSURE PROPER INSTALLATION AND SEAL WITH NO RESTRICTIONS TO THE FLOW OF AIR OR WASHER SOLVENT.													1.14 1.15
	WINDSHIELD WIPER ARMS MUST HAVE PROPER SWEEP POSITION AND WASHER NOZZLES MUST BE AIMED SO THAT THE SOLVENT SPRAY IS WITHIN THE PROPER WIPER PATTERN.													1.16 1.19
	WINDSHIELD WIPER ARM SHOULD BE 39-3/4 DEGREES UP FROM CENTER LINE OF WIPER MOTOR WHEN WIPER IS IN PARK (LAYOUT 3867 REF.).													1.21 1.22
	CAUTION: DO NOT ATTEMPT TO MANUALLY MOVE WIPER ARMS TO MAKE WIPER BLADE SWEEP ADJUSTMENTS AS DAMAGE TO WIPER LINKAGE OR MOTOR MAY OCCUR. IF IT IS NECESSARY TO ADJUST THE SWEEP OF BLADES, REMOVE ARMS AND MAKE ADJUSTMENT BY REPOSITIONING ARMS USING SERRATIONS ON WIPER ARM PIVOT SHAFTS.													1.23 1.24 1.25 1.26
	PROCESS DOCUMENTATION: THIS PROCESS UTILIZES STANDARD TOOLS AND EQUIPMENT OF WHICH THE CAPABILITIES ARE WELL ESTABLISHED.													1.53 1.54
	APPROVED BY: <i>[Signature]</i>													1.56
	DATE: <i>8/11/78</i>													1.58

SYO 104 CAT. 1 W/S WIPER	1977 POM	ZEO5XXX	MODEL YEAR 1978 ORIGIN DATE LAST CHG. DATE LAST CHG. CODE
REFERENCE		MODEL APPLICATION BODY W/S WIPER UPC DESCRIPTION	70 1 5 1 BK U. P. C. GMP PAGE



# PRODUCT DESCRIPTION MANUAL

## ASSEMBLY INFORMATION

GMT 1061 REV 5/78

GM TRUCK & COACH

ITEM	E	Q	PART OR TOOL DESCRIPTION	ADDL DATA	QTY	PART NUMBER	ENGINE CODES	SERIES	REV	ITEM RESTRICTION	DEPARTMENTS		CHANGE		LOGIC CODE	FUNCTION CODE	ADDITIONAL CODES	TIME		
											#1	2/STA	CD	AUTH					708	
			MVSS STD. 107 CAT. 2 (REFLECTING SURFACES)																1.0	
			DUE CARE WILL BE USED IN THE HANDLING AND INSTALLATION OF WINDSHIELD WIPER ARMS AND BLADES AS TO NOT ALTER THEIR GLOSS RESTRICTIVE SURFACE.																1.11 1.12	
			1. STORE WIPER ARMS AND BLADES IN ORIGINAL SHIPPING CONTAINER WHENEVER POSSIBLE OR STORE ON AUTHORIZED RACKS.																1.14 1.15	
			2. DO NOT REMOVE PROTECTIVE WRAPPING FROM WIPER ARMS AND BLADES UNTIL ASSEMBLY.																1.17 1.18	
			3. ROTATION OF STOCK SHOULD BE PRACTICED TO AVOID ACCUMULATION OF OLD STOCK AND REDUCE EXPOSURE TO DAMAGE.																1.20 1.21	
			PROCESS DOCUMENTATION: THIS PROCESS UTILIZES STANDARD TOOLS AND EQUIPMENT OF WHICH THE CAPABILITIES ARE WELL ESTABLISHED.																	1.50 1.51
			APPROVED BY: <i>J. [Signature]</i>																	1.53
			DATE: <i>8/11/77</i>																	1.55

1 2 3 4 5 6 7 8 9 10 11 12 13 14 15 16 17 18 19 20 21 22 23 24 25 26 27 28 29 30 31 32 33 34 35 36 37 38 39 40 41 42 43 44 45 46 47 48 49 50	STD 107 CAT. 2 REFLECTING SURFACES	1977 PDM	7E05XXX	MODEL YEAR 1978 ORIGIN DATE LAST CHG. DATE LAST CHG. CODE
	F.M.V.S.S.	REFERENCE	MODEL APPLICATION BODY (W/S WIPERS) UPC DESCRIPTION	70 1 S1 1 BK U. P. C. ORF PAGE





# PRODUCT DESCRIPTION MANUAL

## ASSEMBLY INFORMATION

GMT 1061 REV. 8/78

GMC TRUCK & COACH

ITEM	SEQ	REV	PART OR TOOL DESCRIPTION	ADD'L DATA	QTY	PART NUMBER	M O D	ENGINE CODES	SERIES	BODY PNC	ITEM RESTRICTION	DEPARTMENTS		CHANGE		LOGIC CODE	FUNCTION CODE	ADDITIONAL CODES	FNA	LINE NOS	
												#1	2/STA	CD	AUTH						
			MYSS STD. 206 CAT. 2 DOOR LOCKS																		1.0
			DUE CARE WILL BE USED IN THE HANDLING AND INSTALLATION OF DOOR LOCKS AND DOOR RETENTION COMPONENTS TO AVOID DAMAGE AND ASSURE CORRECT AND SECURE INSTALLATION:																		1.1
			1. STORE DOOR LOCK ASSEMBLIES IN ORIGINAL SHIPPING CONTAINER TO AVOID DAMAGE.																		1.14
			1. ROTATION OF STOCK SHOULD BE PRACTICED TO AVOID ACCUMULATION OF OLD STOCK AND REDUCE EXPOSURE TO DAMAGE.																		1.15
			3. ALL LINKAGES & JOINTS MUST BE CHECKED FOR FREE MOVEMENT WITH OUT BINDING.																		1.22
			4. WHEN THE LOCKING MECHANISM IS ENGAGED, BOTH THE OUTSIDE AND INSIDE DOOR HANDLES MUST BE INOPERATIVE.																		1.23
			PROCESS DOCUMENTATION:																		1.50
			THIS PROCESS UTILIZES STANDARD TOOLS AND EQUIPMENT OF WHICH THE CAPABILITIES ARE WELL ESTABLISHED.																		1.51
			APPROVED BY: <i>[Signature]</i>																		1.53
			DATE: <i>[Date]</i>																		1.54
1			STD 206	1977 PDR							ZED5XXX						MODEL YEAR 1978				
2			CAT. 2														ORIGIN DATE				
3			DOOR LOCKS														LAST CHG. DATE				
4																	LAST CHG. CODE				
5																	70 1 S3 1				
			F.M.V.S.S.	REFERENCE													BK V. P. C. SPP PAGE				



ITEM	PART OR TOOL DESCRIPTION	ADD'L DATA	QTY	PART NUMBER	M O D	ENGINE CODES	SERIES	REV BRK	ITEM RESTRICTION	DEPARTMENTS		CHANGE		LOGIC CODE	FUNCTION CODE	ADDITIONAL CODES	LIFE NOS
										#1	2/STA	CD	AUTH				
	MVSS STD 302 CAT. 2 FLAMMABILITY (REF. MD 9074)																1.8
	MVSS STD. 302 ESTABLISHES THE FLAMMABILITY REQUIREMENTS OF INTERIOR TRIM MATERIALS USED IN MULTIPURPOSE PASSENGER VEHICLES AS PRODUCED. ITS USE IS TO INSURE THAT THESE PRODUCTS SHALL BE IN ACCORDANCE WITH THE BURN RATE REQUIREMENTS OF THIS STANDARD. THE INTERIOR TRIM PARTS COVERED BY MVSS 302 STANDARD ARE AS FOLLOWS:																1.10
	ARM RESTS																1.11
	ALL INTERIOR TRIM PANELS - DOORS																1.12
	COMPARTMENT SHELVES																1.13
	HEAD RESTRAINTS																1.14
	FLOOR COVERINGS																1.15
	SUNVISORS																1.16
	CURTAINS																1.17
	SHADES																1.18
	WHEELHOUSE COVERS																1.19
	ENGINE HOUSE COVERS																1.20
	MATTRESS AND COVERS																1.21
	INTERIOR PADDING																1.22
	INSULATION																1.23
	CRASH DEPLOYED ELEMENTS																1.24
	SEAT CUSHIONS																1.25
	SEAT BACKS																1.26
	SEAT BELTS																1.27
	HEAD LINING																1.28
	NOTE: (1) INTER FABRICS MUST NOT BE SOILED WITH GREASE OR OIL.																1.29
	NOTE: (2) SOILED FABRICS MUST BE CLEANED ONLY WITH APPROVED CLEANING AGENTS.																1.30
	PROCESS DOCUMENTATION:																1.31
	THIS PROCESS REQUIRES DEGREES OF METALLURGICAL AND/OR CHEMICAL CONTROL.																1.32
	APPROVED BY: <i>James E. King</i>																1.33
	DATE: <i>8/2/77</i>																1.34
1	STD 302	1977 PDM							ZE05XXX								MODEL YEAR IS 78
2	CAT. 2																ORIGIN DATE
3	FLAMMABILITY																LAST CHG DATE
4																	LAST CHG CODE
5																	70 1 S5 1
	F.M.V.S.S.	REFERENCE															BE V. P. C. OFF PAGE



# PRODUCT DESCRIPTION MANUAL

## ASSEMBLY INFORMATION

GMT 1081 REV. 8/78

GM TRUCK & COACH

ITEM	PART OR TOOL DESCRIPTION	ADD'L DATA	PART NUMBER	ENGINE CODES	SERIES	BODY DIV	ITEM RESTRICTION	DEPARTMENTS #1	2, STA	CHANGE CD	AUTH	LOGIC CODE	FUNCTION CODE	ADDITIONAL CODES	FINA	LINE NOS
	AVSS STD. 209 CAT. 1 SEAT BELT ASSEMBLIES															1.8
	DUE CARE MUST BE EXERCISED BY ALL PERSONNEL INVOLVED IN THE HANDLING AND INSTALLATION OF ALL SEAT BELT ASSEMBLIES.															
	1. SEAT BELTS ARE SUPPLIED IN SETS CONSISTING OF THE TWO HALVES OF A BELT ASSEMBLY. SHOULD REPLACEMENT BE NECESSARY FOR ANY REASON, THEY MUST BE REPLACED IN SETS ONLY. REPLACED BELTS MUST BE IDENTIFIED AND RETAINED FOR SALVAGE DEPARTMENT DISPOSITION.															
	NOTE: SEAT BELTS ARE SALVAGED AND MADE AVAILABLE FOR REUSE ONLY BY THE SUPPLIER AFTER RETESTING AND RECERTIFICATION.															
	2. OPEN SEAT BELT CARTON BY RELEASING THE TOP FLAPS. DO NOT USE A KNIFE, RAZOR BLADE OR ANY OTHER SHARP INSTRUMENT TO CUT OPEN CARTONS TO PREVENT ANY DAMAGE TO BELTS.															
	3. DUE CARE MUST BE EXERCISED BEFORE AND AFTER ASSEMBLY TO ASSURE THAT BELTS ARE NOT SOILED OR DAMAGED.															
	4. ATTACHING HARDWARE WILL HAVE BEEN MANUFACTURED WITH DUE CARE BY OUR SUPPLIERS; HOWEVER, THE CONTINUATION OF DUE CARE MUST BE EXERCISED BY OUR PERSONNEL DURING HANDLING AND INSTALLATION.															
	5. BELT ANCHOR BOLTS USING LOCKING THREADS MUST BE SCRAPED IF REMOVED AND NEVER REUSED. DAMAGED OR CROSS-THREADED BOLTS MUST NOT BE USED.															
	6. BELT ANCHOR BOLTS MUST BE INSTALLED WITH TORQUE WRENCH OR AN AIR MOTOR OF CORRECT TORQUE RANGE TO PRODUCE THE REQUIRED TORQUE.															
	7. BOLTS AND ATTACHING HARDWARE MUST ALWAYS BE THE SAME PART NUMBER AS CALLED OUT IN THE ENGINEERING BILL OF MATERIAL. UNAUTHORIZED SUBSTITUTIONS ARE NEVER PERMITTED.															
	PROCESS DOCUMENTATION: THIS PROCESS UTILIZES STANDARD TOOLS AND EQUIPMENT OF WHICH THE CAPABILITIES ARE WELL ESTABLISHED.															
	APPROVED BY: <i>[Signature]</i>															
	DATE: 10/28/77															

STD 209  
CAT. 1  
SEAT BELTS

1977-1981

ZE05XXX

MODEL APPLICATION  
BODY (SEAT BELTS)

MODEL YEAR IS 78  
ORIGIN DATE 10-10-77

REV ORG DATE  
REV ORG DATE  
REV ORG DATE  
70 1 S6 1





ITEM	PART OR TOOL DESCRIPTION	ADD'L DATA	QTY	PART NUMBER	ENGINE CODES	SERIES	BOV BRK	ITEM RESTRICTION	DEPARTMENTS		CHANGE		LOGIC CODE	FUNCTION CODE	ADDITIONAL CODES	LINE NOS
									ST	2/STA	CD	AUTH				
	MVSS STD. III CAT. 2 (OUTSIDE REAR VIEW MIRROR)															1.8
	DUE CARE MUST BE EXERCISED IN THE HANDLING AND INSTALLATION OF THE OUTSIDE REAR VIEW MIRROR ASSEMBLIES AND ATTACHING HARDWARE.															1.11 1.12
	MIRROR ASSEMBLY SHOULD BE STORED IN THE ORIGINAL PROTECTIVE SHIPPING CONTAINERS WITH PAPER SEPARATORS IN PLACE UNTIL MIRROR IS TO BE USED TO AVOID CRACKS, CHIPS AND SCRATCHES. STOCK SHOULD BE ROTATED REGULARLY TO AVOID AGING AND DAMAGE.															1.15 1.16 1.17
	DAMAGED MIRRORS SHOULD NEVER BE USED. IF MIRRORS BECOME DAMAGED AFTER INSTALLATION ON VEHICLE, THEY MUST BE REPLACED BEFORE VEHICLE IS SHIPPED.															1.20 1.21
	PROCESS DOCUMENTATION: THIS PROCESS UTILIZES STANDARD TOOLS AND EQUIPMENT FOR WHICH THE CAPABILITIES ARE WELL ESTABLISHED.															1.50 1.51
	APPROVED BY: <i>[Signature]</i>															1.53
	DATE: <i>[Signature]</i>															1.55

1 2 3 4 5 F.M.V.B.	SYD III	1977 PDH	ZEO5XXX	MODEL YEAR 1978
	CAT. 2			ORIGIN DATE
	OUTSIDE MIRROR			LAST CHG DATE
				LAST CHG CODE
				70 1 SB 1
	REFERENCE		MODEL APPLICATION	DR. U. P. C. ORP PAGE
			BODY (OUTSIDE MIRROR)	
			UPC DESCRIPTION	

# PRODUCT DESCRIPTION MANUAL ASSEMBLY INFORMATION

PART OR TOOL DESCRIPTION	ADD'L DATA	QTY	PART NUMBER	ENGINE CODES	SERIES	BODY	ITEM RESTRICTION	DEPARTMENTS		CHANGE		LOGIC CODE	FUNCTION CODE	AD CODES	PNA	LINE NOS.
								01	2/8TA	CD	AUTH					
STD. 210 CAT. 2 SEAT BELT ASSEMBLY ANCHORAGE																1.00
DUE CARE SHALL BE EXERCISED IN THE HANDLING AND INSTALLATION OF SEAT BELT ANCHORAGE COMPONENTS TO PREVENT DAMAGE AND TO ASSURE CORRECT AND SECURE INSTALLATION.																
SEAT BELT ANCHORAGE COMPONENTS ARE TO BE ASSEMBLED TO VEHICLE AS SPECIFIED BY ENGINEERING.																
PROCESS DOCUMENTATION:																
THIS PROCESS UTILIZES STANDARD TOOLS AND EQUIPMENT OF WHICH THE CAPABILITIES ARE WELL ESTABLISHED.																
APPROVED BY: <i>[Signature]</i>																
DATE: <i>9/27/77</i>																

STD. 210 CAT. 2 SEAT BELT ANCHORAGE	1977 PROD.	ZEO5XXX	MODEL YEAR 1978 ORIGIN DATE 9-2-77 LAST CHG. DATE LAST CHG. CODE
REV. 00	DISCREPANCY	MODEL APPLICATION SEAT BELT ANCHORAGE VPC DESCRIPTION	70 1 80 1 OK U. P. S. REP PAGE



GMT 922 1-73

**MOTOR HOME**

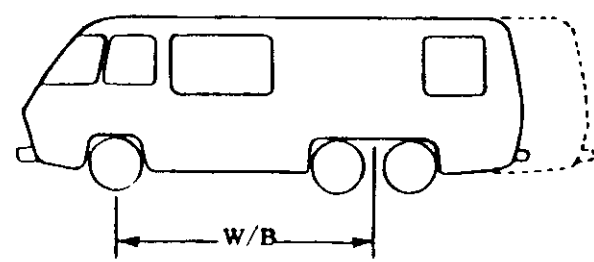
0|0|0|00|00

**Body Style**  
Z = Motor Home

**Body & Brake Style**  
81 - Motor Home  
83 - Hydraulic - Commercial

**Engine**  
E = V 8 Gasoline

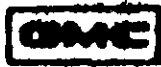
**Series**



**Wheelbase**    60 = 23 Foot  
                      65 = 26 Foot

DYNAMIC (Installation) - EFS	PLANT (Inspection) - EFS	DATE	SYM	REVISION	AUTH	DR	EX	DEPARTMENTS	'78 TRUCK BOOK 70	
		7-19-77		ORIGINAL RELEASE	17000	FL	12	R THOMPSON	TITLE	
									MODEL DESIGNATION DESCRIPTION	
									INFO.	ISSUES / UPC
									0	1





GMT 922 1/75

UPC 1 - BODY

- 1A2D Windshield Wiper & Washer
- 1A2E Miscellaneous
- 1A2F Exterior Body Ornamentation
- 1A2G Air Cond. Comp. Drive & Mounting
- 1A2H Heater & Air Cond., Air System
- 1A2J Heater & Air Cond., Controls
- 1A2K Air Cond. Refrigerant System
- 1A2L Heater Water System
- 1C1 Underbody
- 1C2A Body Front Frame
- 1C2B Instrument Panel
- 1C2D Windshield Section
- 1C3 Roof
- 1C4 Body Side, RR End, Quarter & Deck
- 1C5A Frt. Door & Door Frame
- 1C5B Frt. Door Operating Mechanism
- 1C7A Driver's Seat
- 1C7B Auxiliary Seats
- 1C11 Body Mounting
- 1K1 Furniture
- 1K3 Electrical Convenience Items
- 1K4 Heating & Roof Mounted Air Conditioning
- 1K5 Drapery & Carpeting
- 1K6 Interior Finish & Fit (Ceiling & Walls)
- 1K7 Plumbing

- 1K8 Galley & Appliances
- 1K9 Cabinets
- 1K9A Holding Tank

UPC 2 - FRAME

- 3B Frame

UPC 3 - FRONT SUSPENSION

- 3A Frt. Susp. Less Hubs, Springs, Shock Abs. & Stabilizer
- 3A1 Frt. Drive Conventional Frt. Susp. Knuckle
- 3A2 Frt. Drive Final Drive, Differential & Axle Shafts
- 3B Frt. Wheel Bearings & Seals
- 3E Front Spring Installation
- 3F Front Shock Absorbers
- 3G Front Stabilizer

UPC 4 - REAR AXLE & REAR SUSPENSION

- 4A5 Rear Wheel Bearings & Seals
- 4B Rear Springs
- 4D Rear Spring Installation
- 4E Rear Shock Absorbers
- 4K1 Rear Air Susp. Valves & Controls

Click on an item to go to the section

PLANT (Invention) - US	DATE	SYN	REVISION	APPR	BY	DATE	TRUCK	BOOK
▲ ▲ ▲ ▲	7-12-77		ORIGINAL RELEASE				7	70

TRUCK BOOK 70

UPC INDEX  
1A2D THRU 4K1

INFO.

SHEET 2

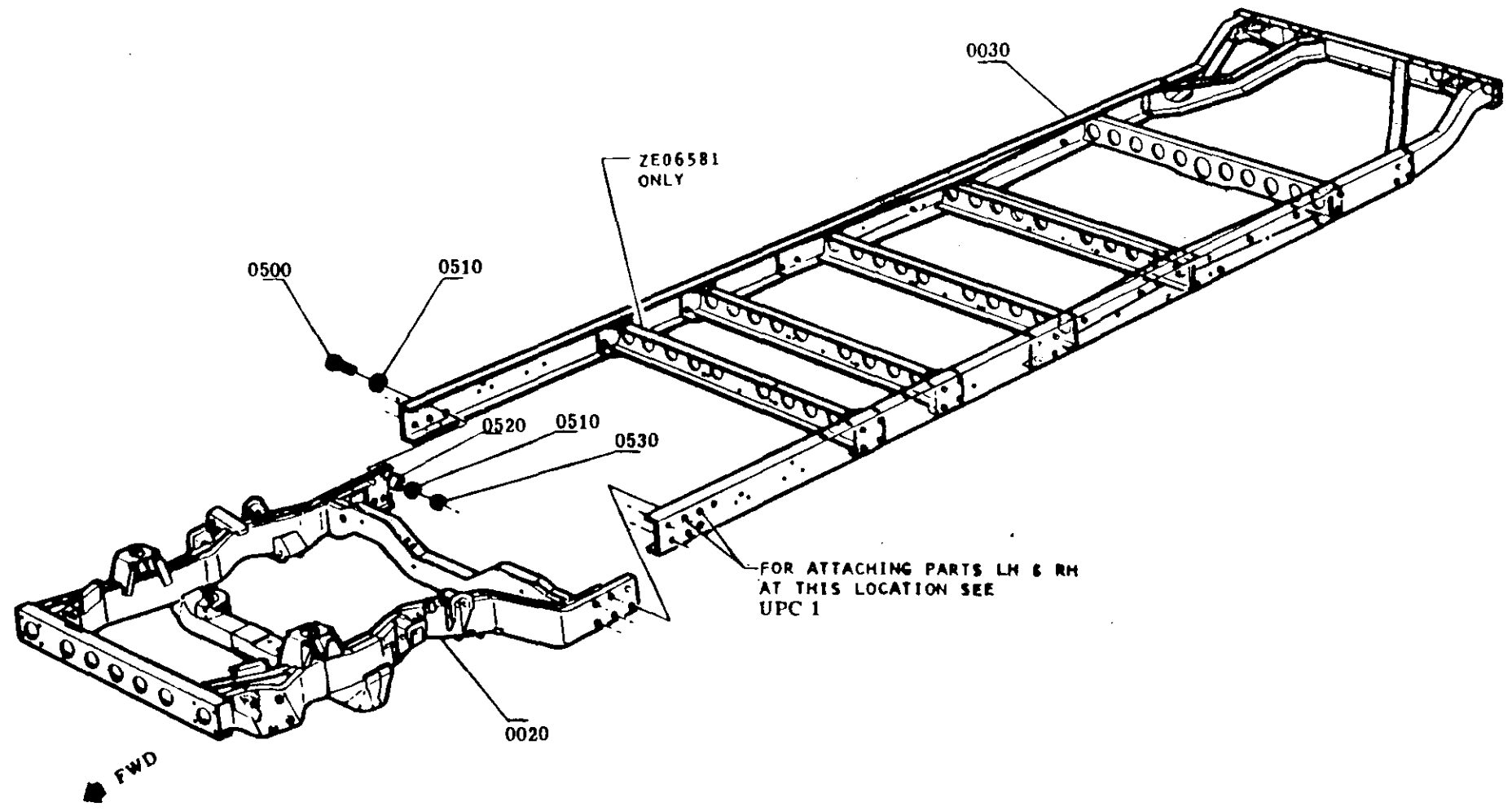








GMT 922 1-73



DATE	SYN	REVISION	AUTH	DR	CK	DEPARTMENTS	TITLE
6-1-77		ORIGINAL RELEASE	47000			Hemphill	'78 TRUCK
							BOOK 70
							FRT. FRAME ASM. TO REAR FRAME
							PART NO: <b>28</b> QUANTITY: <b>1</b>





# PRODUCT DESCRIPTION MANUAL

## ASSEMBLY INFORMATION

GMT 1081 REV. 8/78

ENGINE TRUCK & CONCRETE

ITEM	SEQ	PVS	PART OR TOOL DESCRIPTION	ADD'L DATA	QTY	PART NUMBER	ENGINE CODES	SERIES	BODY BRK	ITEM RESTRICTION	DEPARTMENTS		CHANGE		LOGIC CODE	FUNCTION CODE	ADDITIONAL CODES	FNA	LINE NOS	
											#1	2/STA	CD	AUTH						
1A0101			FRT SUSP & STRG		*	L2773					0752								1.2	
1A0201			FRM ASM INST		*	L3346					0752								1.10	
0020AA			FRM ASM FRT		1	711967					0752	66			0000	660005		M	1.16	
0030AA			FRM ASM RR		1	692488		60			0752	75			0000	750015		M	1.18	
0030AC			FRM ASM RR		1	692475		65			0752	75			0000	750015		M	1.19	
0031AA			NOTE: THE FOLLOWING ITEMS #0040 THRU #0430 ARE PART OF EAL #0030.									0752	75							1.21
0040ZA			RAIL SI FRM LH		1	691909		60			0752	75							1.23	
0040ZC			RAIL SI FRM LH		1	691908		65			0752	75							1.24	
0050ZA			RAIL SI FRM RH		1	691908		60			0752	75							1.26	
0050ZC			RAIL SI FRM RH		1	691910		65			0752	75							1.27	
0060ZA			C/MBR FRM FRT		1	708640		60			0752	75							1.29	
0060ZC			C/MBR FRM FRT		2	708640		65			0752	75							1.30	
0070ZA			BOLT C/MBR @ RL		8	9425082		60			0752	75							1.32	
0070ZC			BOLT C/MBR @ RL		16	9425082		65			0752	75							1.33	
0080ZA			WA C/MBR BOLT		16	2436165		60			0752	75							1.35	
0080ZC			WA C/MBR BOLT		32	2436165		65			0752	75							1.36	
0090ZA*			NUT 50:60 FT LBS		8	9422301		60			0752	75							1.38	
0090ZG*			NUT 50:60 FT LBS		16	9422301		65			0752	75							1.39	
0200ZA			REINF BNGIE XMBR		1	708639					0752	75							1.41	
0210ZA			BOLT REINF/RAIL		18	9425082					0752	75							1.43	
0220ZA			WA REINF BOLT		36	2436165					0752	75							1.44	
0230ZA*			NUT 50:60 FT LBS		18	9422301					0752	75							1.45	
0250ZA			BOLT @ P/B BRKT		2	9425082					0752	75							1.49	
0260ZA			WA @ P/B BRKT		4	2436165					0752	75							1.51	
0270ZA*			NUT 50:60 FT LBS		2	9422301					0752	75							1.52	
0300ZA			REINF BNGIE XMBR		1	713506					0752	75							1.55	
0310ZA			BOLT REINF/XMBR		6	9427321					0752	75							1.57	

F.M.V.S.S.	REFERENCE	7E06X00	MODEL YEAR 1978
		MODEL APPLICATION	ORIGIN DATE 770726
		FRAME ASM	LAST CHG. DATE
		UPC DESCRIPTION	LAST CHG. CODE
			70 28 A 1
			BK V. P. C. 997 PAGE

ITEM	S E Q	P V S	PART OR TOOL DESCRIPTION	ADD'L DATA	Q T Y	PART NUMBER	ENGINE CODES	SERIES	BDY BRK	ITEM RESTRICTION	DEPARTMENTS		CHANGE		LOGIC CODE	FUNCTION CODE	ADDITIONAL CODES	PNA	LINE NOS	
											#1	2/STA	CD	AUTH						
0320ZA			WA REINE BOLT		12	2436163					0752	75								1.59
0330ZA*			NUT 25:30 FT LBS		6	9422297					0752	75								2.2
0400ZA			EXTENSION RR FRM		1	712315					0752	75								2.4
0410ZA			BOLT EXT @ FRM		8	9425082					0752	75								2.6
0420ZA			WA EXT BOLT		16	2436165					0752	75								2.8
0430ZA*			NUT 50:60 FT LBS		8	9422301					0752	75								2.10
0500AA			BOLT FRT FRM/FRM		10	9425082					0752	75								2.13
0510AA			WA FRT FRM BOLT		20	2436165					0752	75								2.14
0520AA			SPACER FRM BOLT		10	3914468					0752	75		0000	7500 20			M		2.16
0530AA*			NUT 50:60 FT LBS		10	9422301					0752	75								2.18
0600AA			BRACE ST RL XMBR		2	795964					0752	75		0000	7500 25			M		2.20
0610AAP			BOLT BRACE		4	9425082					0752	75								2.22
0610ABP			N5:105 FT LBS								0752	75								2.24
0620AA			WA BRAKE BOLT		8	2436165					0752	75								2.25
0630AA			WA BRACE BOLT		8	2459728					0752	75								2.27
0640AAP			NUT 50:60 FT LBS		4	9422301					0752	75								2.29

ZEO6X00

MODEL APPLICATION  
FRAME ASM  
UPC DESCRIPTION

MODEL YEAR 1976  
ORIGIN DATE 770726  
LAST CHG. DATE  
LAST CHG. CODE  
70 2R A 2  
BK U. P. C. QM 108



GMT 922 8/74

UPC 3A FRT. SUSP. LESS HUBS, SPR. SHKS. & FRT. STAB.

Sht. #: Title:

1 Upper & Lower Control Asm.

UPC 3A1 FRT. DRV. CONV. FRT. SUSP. KNUCKLE

1 Front Brake & Hub. Asm.

UPC 3A2 FRT. DRIVE DIFF. & AXLE SHAFT

- 1 Final Drive Asm. to Trans.
- 2 Final Drive Asm. to Eng.
- 3 RH. Shaft Asm. to Final Drive
- 4 Final Drive Axle Asm.

UPC 3B FRT. WHL. BRGS. & SEAL

1 Frt. Brake & Hub. Asm.

UPC 3E FRT. SPR. INSTALL PARTS

1 Torsion Bar

UPC 3F FRONT SHOCKS

Sht. #: Title:

1 Front Shock Absorber

UPC 3G FRONT STAB.

1 Upper & Lower Control Arm.

(AUDIT)  
INDEX - 1  
3A-1      3E-1  
3A1-1     3F-1  
3A2-4     3G-1  
3B-1

DYNAMIC (Installation) - LBS	HAND (Inspection) - LBS	DATE	SYM	REVISION	AUTH	DR	CR	DEPARTMENTS	78 TRUCK	BOOK 70	
		8/17		ORIGINAL RELEASE	47000				TITLE		
									INDEX		
									NAME FRONT SUSPENSION	DIVISION/UPC <b>3</b>	SHEET <b>A</b>

ITEM	C	PART OR TOOL DESCRIPTION	ADD'L DATA	QTY	PART NUMBER	M O D	ENGINE CODES	SERIES	BDY ORK	ITEM RESTRICTION	DEPARTMENTS		CHANGE		LOGIC CODE	FUNCTION CODE	ADDITIONAL CODES	LINE NOS	
											#1	2/5FA	CD	AUTH					
		MVSS UPC GROUP 3	CAT. 3																1.8
		DUE CARE MUST BE EXERCISED IN THE HANDLING AND ASSEMBLY OF THE FRONT SUSPENSION COMPONENTS. UPPER AND LOWER CONTROL ARMS, STABILIZER BRACKETS AND SHAFTS, AND TORSION BARS AND SUPPORTS TO ASSURE CORRECT AND SECURE INSTALLATION:																	1.11
		1. UPPER CONTROL ARM TO FRAME BRACKET BOLTS ARE TO BE TORQUED TO THE SPECIFIED FT. LBS. WITH CHASSIS AT DESIGNED HEIGHT. CONTROL ARM NUTS MUST BE TIGHTENED TO MINIMUM REQUIRED TORQUE. MAXIMUM TORQUE MUST NOT BE EXCEEDED.																	1.11
		2. SQUARE END OF STABILIZER SHAFT OR ROUND END IDENTIFIED BY A DAUB OF YELLOW PAINT, MUST BE INSTALLED ON RIGHT HAND SIDE OF VEHICLE.																	1.21
		3. LUBRICATE TORSION BAR ENDS (3.0 INCHES) BEFORE INSERTION INTO RETAINERS. TAPE ON BARS MUST BE COMPLETELY OUTSIDE OF ANCHOR AFTER INSTALLATION- IF NOT RECHECK INSTALLATION OF TORSION BAR INSERTION INTO REAR CONTROL ARM. THERE MUST BE (0.1R-0.27) GAP BETWEEN END OF TORSION BAR AND REAR FACE OF TORSION BAR SUPPORT.																	1.21
		4. TORSION BARS MUST NOT BE NICHED, SCRATCHED OR STACKED ON FLOOR. WOODEN SHIPPING SEPARATORS MUST REMAIN BETWEEN BARS DURING STORAGE.																	1.31
		PROCESS DOCUMENTATION:																	1.53
		THIS PROCESS UTILIZES STANDARD TOOLS AND EQUIPMENT OF WHICH THE CAPABILITIES ARE WELL ESTABLISHED.																	1.50
		APPROVED BY:	<i>James E. Penah</i>															1.52	
		DATE:	<i>9/1/77</i>															1.54	

1 0 5 0	UPC 5	1977 PDM	ZEO5XXX	MODEL YEAR 1978
	CAT. 3			ORIGIN DATE
				LAST CHG DATE
				LAST CHG. CODE
F.M.V.S.S.	REFERENCE		FRONT APPLICATION FRONT SUSPENSION UPC DESCRIPTION	70 3 1 BK U. P. C. PAGE

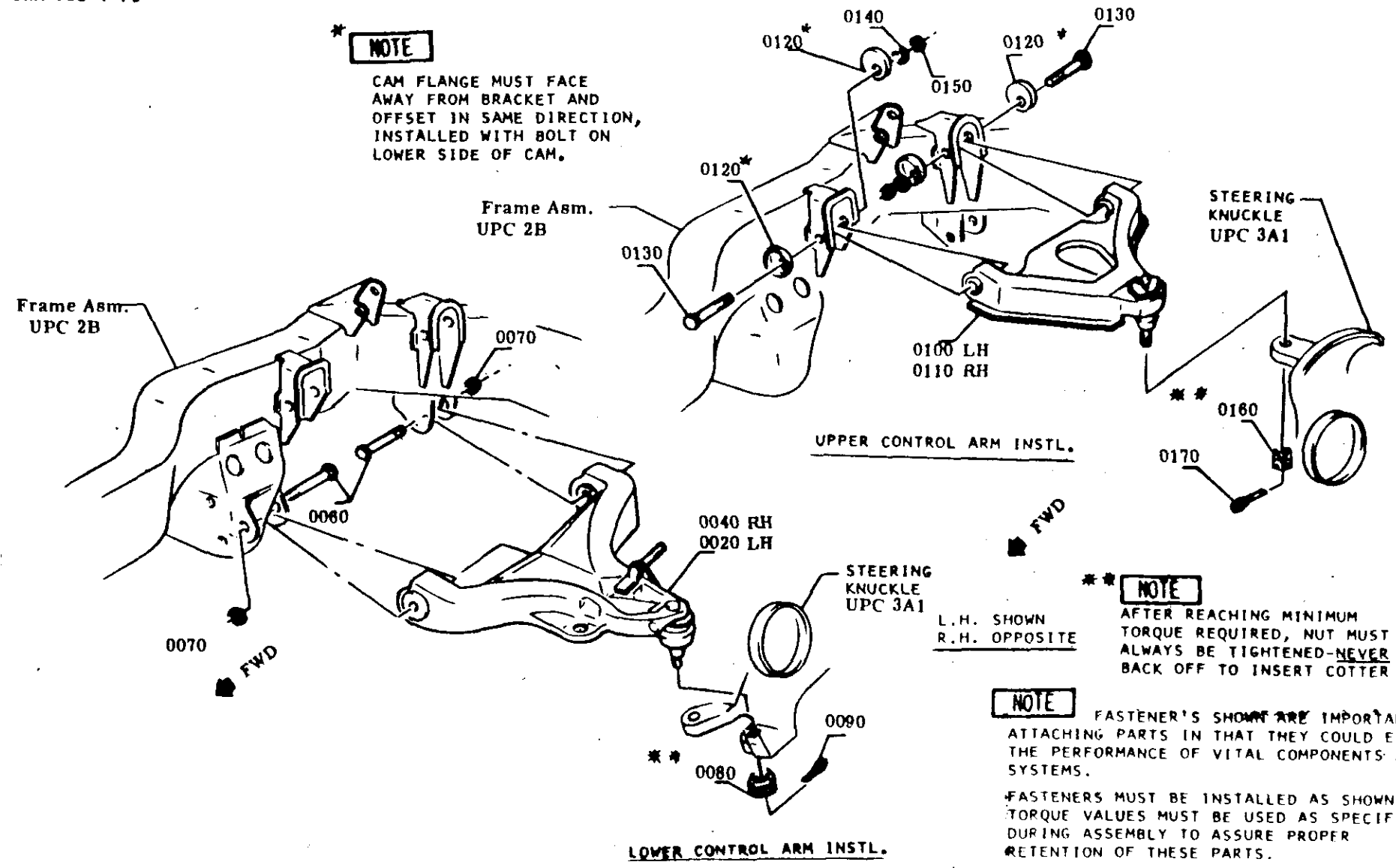


□ ITEM REFERENCE    ◇ PROCESS MATERIAL    ▲ TOPONE    ▣ PART OF OR EXISTING

OMT 922 1-73

**\* NOTE**

CAM FLANGE MUST FACE AWAY FROM BRACKET AND OFFSET IN SAME DIRECTION, INSTALLED WITH BOLT ON LOWER SIDE OF CAM.



**\*\* NOTE**

AFTER REACHING MINIMUM TORQUE REQUIRED, NUT MUST ALWAYS BE TIGHTENED-NEVER BACK OFF TO INSERT COTTER PIN.

**NOTE**

FASTENER'S SHOWN ARE IMPORTANT ATTACHING PARTS IN THAT THEY COULD EFFECT THE PERFORMANCE OF VITAL COMPONENTS AND SYSTEMS.

FASTENERS MUST BE INSTALLED AS SHOWN. TORQUE VALUES MUST BE USED AS SPECIFIED DURING ASSEMBLY TO ASSURE PROPER RETENTION OF THESE PARTS.

DYNAMIC (Inspection) - LBS	STATIC (Inspection) - LBS	DATE	SYM	REVISION	AUTH	DR	CR	DEPARTMENTS	78 TRUCK BOOK 70		
▲		6-1-77		ORIGINAL RELEASE	47200	PT	JK		TITLE UPPER & LOWER CONTROL ARM		
									FRONT SUSPENSION	3A	1

# PRODUCT DESCRIPTION MANUAL

## ASSEMBLY INFORMATION

GMT 1081 REV. 8/78

SHK, TRUCK & COACH

ITEM	SEQ	PART OR TOOL DESCRIPTION	ADD'L DATA	QTY	PART NUMBER	UO ID	ENGINE CODES	SERIES	BOY BRK	ITEM RESTRICTION	DEPARTMENTS		CHANGE		LOGIC CODE	FUNCTION CODE	ADDITIONAL CODES	PNA	LINE NOS	
											#1	2/STA	CD	AUTH						
AAU1014		FRT SUSP & STRG			L2773						0752									1.8
AAU1024		F WHL ALIGNMENT			L4584						0752									1.14
AAU3014		TIRE LEAK CHK.			L8650						0752									1.12
GU21AA		ARM LWR CNT LH		1	792768						0752	66			0000660010					1.14
GU21AA		NOTE: ITEM #0030 IS PART OF EAL #0020.									0752	66								1.14
GU302A		ARM ASM LH		1	792770						0752	66								1.20
GU40AA		ARM LWR CNT RH		1	792769						0752	66			0000660015					1.22
GU41AA		NOTE: ITEM #0050 IS PART OF EAL #0040.									0752	66								1.24
GU502A		ARM ASM RH		1	792771						0752	66								1.24
GU60AA		BOLT ARM/FRM		4	9421431						0752	66								1.24
GU60AB		90:110 FT LBS									0752	66								1.25
GU70AA		NUT 75:85 FT LBS		4	9422301						0752	66								1.31
GU80AA		NUT FALL JOINT		2	9414579						0752	66								1.32
GU80AB		100:125 FT LBS									0752	66								1.34
GU90AA		PIN CUTTER		2	9433044						0752	66								1.36
GU00AA		ARM UPR CNT LH		1	412291						0752	66			0000660020					1.38
GU10AA		ARM UPR CNT RH		1	412296						0752	66			0000660025					1.40
GU20AA		CAH UPR ARM ADJ		8	395038						0752	66			0000660030					1.42
GU30AA		BOLT ARM/FRM		4	395039						0752	66								1.44
GU40AA		WA CNT ARM		4	794360						0752	66								1.46
GU50AA		NUT 80:95 FT LBS		4	394382						0752	66								1.48
GU60AA		NUT FALL JOINT		2	274428						0752	66								1.50
GU60AB		80:100 FT LBS									0752	66								1.52
GU70AA		PIN CUTTER		2	9431604						0752	66								1.54

1 2 3 4 5		ZE06X00	MODEL YEAR 1978 ORIGIN DATE T70726 LAST CHG. DATE LAST CHG. CODE
F.M.V.B.R.	REFERENCE	MODEL APPLICATION FRT SUSP LESS SHK, SPRINGS, SHK & FRT STABILIZER UPG DESCRIPTION	TO 3A A BK U. P. C. QNF



# PRODUCT DESCRIPTION MANUAL

## ASSEMBLY INFORMATION

ITEM	QTY	PART OR TOOL DESCRIPTION	ADD'L DATA	QTY	PART NUMBER	ENGINE CODES	SERIES	REV BRK	ITEM RESTRICTION	DEPARTMENTS		CHANGE AUTH	LOGIC CODE	FUNCTION CODE	ADDITIONAL CODES	LINE NOS.
										#1	2/STA					
A4101	1	FRT SUSP L STRG			L2773					0752						1.8
A4201	1	FRT HUB L BRK			L4330					0752						1.10
00104A	1	KNUCKLE STRG LH		1	700549					0752	66		0000660085			1.17
00114A		NOTE: ITEMS 0020 THRU 0110 ARE PART OF EAL 0010.														
00202A	1	KNUCKLE STRG		1	700831					0752	66					1.21
00302A	1	BRAKE ASM		1	118000201					0752	66					1.23
00402A	1	HUB L ROTOR ASM		1	704056					0752	66					1.25
00502A	1	DRG PACK WHL		1	7455526					0752	66					1.27
00602A	1	RETAINER BRG		1	414318					0752	66					1.29
00702A	3	EOLT BRG KEY		3	9418967					0752	66					1.31
00702A	3	WALR EOLT		3	103321					0752	66					1.33
00902A	1	SEAL ASM LTR		1	401024					0752	66					1.35
01002A	1	SEAL ASM INN		1	401026					0752	66					1.37
01102A	4	LUBRICANT		4	9985009					0752	66	57949			03294	1.39
02104A	1	KNUCKLE STRG RH		1	700548					0752	66		0000660090			1.41
02114A		NOTE: ITEMS 0220 THRU 0310 ARE PART OF EAL 0210.														
02202A	1	KNUCKLE STRG		1	700830					0752	66					1.43
02302A	1	BRAKE ASM		1	118000202					0752	66					1.45
02402A	1	HUB L ROTOR ASM		1	704056					0752	66					1.47
02502A	1	DRG PACK WHL		1	7455526					0752	66					1.51
02602A	1	RETAINER BRG		1	414318					0752	66					1.53

1 2 3 4 5 FMVSS	REFERENCE	ZEO6X00	MODEL YEAR 1978
		MODEL APPLICATION	ORIGIN DATE 770726
		FRT DRIVE CONVENTIONAL FRT SUSP KNUCKLE	LAST CHG DATE 770927
		UPC DESCRIPTI	LAST CHG CODE 57949
			70 3A1 A 1
			BK U. P. C. P PAGE



# PRODUCT DESCRIPTION MANUAL

## ASSEMBLY INFORMATION

QTY	PART OR TOOL DESCRIPTION	PART NUMBER	ENGINE CODES	DEPARTMENT	CHANGE AUTH	LOGIC CODE	FUNCTION CODE	ENA	LINE NOS
3	BOLT BRG RET	9418967		0752					1.5
3	HA LB BOLT	103321		0752					1.5
1	SEAL ASM AIR	401024		0752					1.5
1	SEAL ASM INR	401026		0752	66				2.4
*	LUBRICANT	9985009		0752	66	57949		3299	2.4

F.M.	REFERENCE	ZE06X00	MODEL YEAR 1978
		MODEL APPLICATION	ORIGIN DATE 770726
		FRT DR CONVENTIONAL FRT SUSP KNUCKLE	LAST CHG. DATE 770819
		UPG DESGN	LAST CHG. CODES 7949
			70 3 A 2 BK U. P. ORP PAGE











# PRODUCT DESCRIPTION MANUAL

## ASSEMBLY INFORMATION

ITEM	QTY	PART OR TOOL DESCRIPTION	ADDL DATA	PART NUMBER	ENGINE CODES	DEFIN	UNIT	ITEM RESTRICTION	REPAIRMENTS		CHARGE AUTH	FORM CODE	FUNCTION CODE	ADDITIONAL CODES	LTA	LSE
									MT	DATA						
AA01014	1	FRT SUSP & STRG		L2773					0752							1.10
AA02014	1	INSTR LUB CHJ		MD10240					0752							1.10
AA03014	1	DR AX INSTGHDLG		7004179					0752							1.10
0010AA	1	DRIVE ASM FINAL		404345					0752	01		0000610000				1.20
0020AA	1	CASKET & TRANS		389948					0752	01		0000610010				1.20
0030AA	1	STUD DRIVE/TRANS		394430					0752	01		0000610010				1.20
0030AB		20:30 FT LBS							0752	01						1.20
0040AA	1	BOLT DRIVE/TRANS		9418994					0752	01						1.20
0040AB		20:30 FT LBS							0752	01						1.20
0050AA	1	NUT DRIVE STUD		9419815					0752	01						1.20
0050AB		20:30 FT LBS							0752	01						1.20
0110AA	1	PLATE DRIVE SUPT		555745					0752	01		0000610020				1.30
0120AA	1	BOLT BRKT/ENG F		9419077					0752	01						1.30
0120AB		45:55 FT LBS							0752	01						1.30
0120ANI		NOTE: BOLT ALSO ATTACHES		POWER STEERING PUMP BRKT.					0752	01						1.30
0130AA	1	WA BRKT BOLT		585792					0752	01						1.30
0140AA	1	BOLT BRKT/ENG R		9419075					0752	01						1.30
0140AB		45:55 FT LBS							0752	01						1.30
0150AA	1	WA BRKT BOLT		585792					0752	01						1.30
0160AA	1	BOLT DRIVE/BRKT		9437652					0752	01	01590					1.30
0160AB		100:110 FT LBS							0752	01						1.30
0170AA	2	WA DRIVE BOLT		400944					0752	01						1.30
0180AA	1	NUT DRIVE BOLT		9422301					0752	01						1.30

1																	MODEL YEAR 19 7L
2																	ORIGIN DATE 770726
3																	LAST CHG DATE 771008
4																	LAST CHG CODE 01390
5																	7U 3A2 1
6																	OR U. P. C. P PAGE

MODEL APPLICATION  
 FRT DRIVE NAL DRIVE, DIFF & AXLE SHAFT  
 UPC DESCRIPTIC

REFERENCE

ITEM NO.	PART OR TOOL DESCRIPTION	ADD'L DATA	QTY	PART NUMBER	ENGINE CODES	SERIES	BODY BIR	ITEM RESTRICTION	DEPARTMENTS		CHANGE CD	AUTH	LOGIC CODE	FUNCTION CODE	ADDITIONAL CODES	LINE NOS
									#1	#2/STA						
0300AA	SHAFT RE DIFF		1	40370R					0752	61			0000	610025		1.53
0310AA	STUB/SCR & WA		1	411349					0752	61			0000	610030		1.55
0320AA	SC & WA SHF SUPT		1	340494					0752	61						1.57
0320AA	45855 FT LBS								0752	61						1.58
0400AA	SHAFT FRT AX DR		2	7815414					0752	67			0000	670015		2.1
0410AA	BULT SHAFT		12	394777					0752	67						2.3
0410AA	60875 FT LBS								0752	67						2.4
0420AA	WA SHAFT BOLT		12	9423406					0752	67						2.6
0430AA	LUB FINAL DR		*	9985035					0752	64						2.8
0431AA	INDT: USE 250 GAL. PER		1000	VEH					0752	64						2.9
0500AA	TUSE ASM OIL FIL		1	405360					0752	61			0000	610035		2.11
0510AA	SEAL FIL TUBE		1	2264902					0752	61			0000	610040		2.13
0520AA	LUB TUBE SEAL	AS REQD	*	9985252					0752	61						2.15
0550AA	INDICATOR OIL		1	1489612					0752	61			0000	610045		2.18
0560AA	LUB TBE DPR SEAL	AS REQD	*	9985252					0752	61						2.20

2E06X00

MODEL APPLICATION  
FRT DRIVE FINAL DRIVE, DIFF & AXLE SHAFT  
UPC DESCRIPTI

MODEL YEAR 1978  
ORIGIN DATE 770726  
LAST CHG DATE 770927  
LAST CHG CODE  
70 3A2 A 2  
BK U. P. C. PAGE













ITEM	S E Q	P V	RT OR TOOL DESCRIPTION	ADD'L DATA	QTY	PART NUMBER	ENGINE CODE	SERIES	DOY	ITEM DESCRIPTION	DEPARTMENTS		CHANGE		LOGIC CODE	FUNCTION CODE	ADDITIONAL CODES	PN	NE OS	
											#1	2/STA	CD	AUTH						
000	AA4		FR1 S/AES INSTL		1	LB90					0752									1.8
0010AA			ABSORBER SHK		2	4975540					0752	68			0000680610					1.1
0020AA			BOLT ABS & FRM		2	9430836					0752	68								1.1
0030AA			WA AIS ECLT		4	2436166					0752	68								1.2
0040AA			WGT 60:55 FT LBS		2	9422303					0752	68								1.2
0050AA			WA & SUSP ARM		2	409065					0752	68								1.2
0060AA			WGT 60:55 FT LBS		2	9422303					0752	68								1.2

1 2 3 4 5	ZE05000										MODEL YEAR 1978									
											ORIGIN DATE 770726									
											LAST CHG. DATE									
											LAST CHG. CODE									
	F.M.V.B.B.										REFERENCE									
										MODEL APPLICATION										
										FRONT SHOCK ABSORBER										
										UPC DESCRIPTION										
										70 3F A 1										
										BK U. P. C. OR *ABE										



# PRODUCT DESCRIPTION MANUAL

## ASSEMBLY INFORMATION

GMT 1061 REV 8/78

ONE TRUCK & CRACK

ITEM	SEQ	P/M	PART OR TOOL DESCRIPTION	ADD'L DATA	QTY	PART NUMBER	M.O.	ENGINE CODES	SERIES	BOY	ITEM RESTRICTION	DEPARTMENTS			LOGIC CODE	FUNCTION CODE	ADDITIONAL CODES	PNA	LINE NO.	
												#1	2/STA	CD						
AAG1C14			FRT SUSP & STAB			12773						0752							1.0	
AAG2014			FRT WHL ALIGN			14584						0752							1.10	
0020AA			SHAFT FRT STAB		1	693154						0752	68		0000680015			M	1.13	
0021AA			NOTE: SQUARE END OF SHAFT OR ROUND END IDENTIFIED DARR OF YELLOW									0752	68							1.19
0030AA			BUSHING SHAFT		2	550211						0752	68		0000680020			M	1.21	
0040AA			BRKT FRT STAB		2	406965						0752	68		0000680025			M	1.23	
0050AA			SC BRK TO FRM		4	9417750						0752	68						1.25	
0050AB			20:20 FT LBS									0752	68						1.26	
0100AA			BOLT STAB LINK		2	389271						0752	68						1.28	
0110AA			GROM STAB LK BLT		8	4941131						0752	68						1.30	
0120AA			RETAINER		8	4941130						0752	68		0000680030			M	1.32	
0130AA			SPACER STAB LINK		2	389273						0752	68		0000680035			M	1.34	
0131AA			NOTE: FOR GROMMET, SPACER, RETAINER RELATIONSHIPS, SEE GRAPHIC SHEET									0752	68							1.38
0140AA			NUT STAB BOLT		2	1365065						0752	68						1.38	
0140AB			120:180 IN LBS									0752	68						1.39	
0141AA			NOTE: AFTER NUT IS TORQUED BOLT MUST BE CUT OFF AT MAX. 1/4" FROM NUT.									0752	68							1.41

MODEL YEAR 1978 ORIGIN DATE 770727 LAST CHG. DATE LAST CHG. CODE	ZE06 X00  MODEL APPLICATION FRONT STABILIZER UPC DESCRIPTION	70 36 / 1 BK V. P. C. 0 PAGE
---	--	---------------------------------

F.M.V.B.

REFERENCE



ITEM	PART OR TOOL DESCRIPTION	ADD'L DATA	QTY	PART NUMBER	ENGINE CODES	SERIES	RDY BRK	ITEM RESTRICTION	DEPARTMENTS		CHANGE		LOGIC CODE	FUNCTION CODE	ADDITION. CODES	LINE NOS
									MT	2/STA	CD	AUTH				
	RVSS STD. UPC-4	CAT. 3		(REAR SUSPENSION)												1.8
	DUE CARE MUST BE EXERCISED IN THE SUB ASSEMBLY AND INSTALLATION OF THE REAR SUSPENSION LEVELING BELLOWS AND CONTROL ARMS ASSEMBLIES TO THE VEHICLE FRAME.															1.10
	LUBRICATE CONTROL ARM BEARING USING PROPER LUBRICANT.															1.14
	(NOTE: STORE LUBRICATED BEARINGS IN COVERED STORAGE BIN TO ASSURE THAT THEY DO NOT GET DIRTY.															1.16
	USE THE PROPER NUMBER OF SHIMS BETWEEN CONTROL ARMS AND FRAME. BOLT CONTROL ARMS TO FRAME USING CORRECT TORQUE -- DO NOT OVERTORQUE.															1.20
	PROCESS DOCUMENTATION:															1.50
	THIS PROCESS UTILIZES STANDARD TOOLS AND EQUIPMENT OF WHICH THE CAPABILITIES ARE WELL ESTABLISHED.															1.51
	APPROVED BY: <i>James E. Pugh</i>															1.53
	DATE: <i>9/1/77</i>															1.55
1	UPC 4	1977 PDM						ZEO5XXX								MODEL YEAR 1978
2	CAT. 3															ORIGIN DATE
3	REAR															LAST CHG. DATE
4	SUSPENSION															LAST CHG. CODE
5																70 4 5 1
	F.M.V.S.S.	REFERENCE														BK U. P. C. PAGE



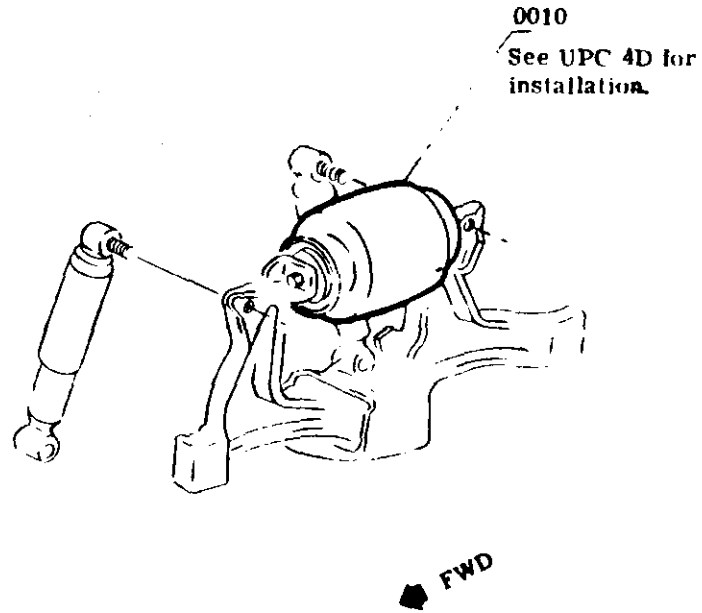
PRODUCT DESCRIPTION MANUAL  
ASSEMBLY INFORMATION

ITEM	SEQ	P/V	PART OR TOOL DESCRIPTION	ADD'L DATA	QTY	PART NUMBER	ENGINE CODES	SERIES	BOX / PK	ITEM RESTRICTION	DEPARTMENTS		CHANGE		LOGIC CODE	FUNCTION CODE	ADDITIONAL CODES	PK	LINE NOS.
											01	2/STA	CD	AUTH					
AAC1014			RR HUB & BRAKE DRUM		*	16095					0752								1.0
											0752								1.9
AA02014			LUB. CHART		*	MD10298					0752								1.11
			SEAL ASM BRG		4	3857731					0752	76			0000760005				1.14
			CONE & RLR ASM		4	7451228					0752	76			0000760010				1.20
			CONE & RLR ASM		4	7450244					0752	76			0000760019				1.22
			SEAL BRG		4	3926465					0752	76							1.24
			WGT 20-30 FT LBS		4	9953436					0752	76							1.26
			REF. SEE GRAPHIC ASS - SHEET 1 - FOR ADDITIONAL INSTRUCTION.								0752	76							1.28
			PIN ADJ BRG		4	103386					0752	76							1.30
			CAP DUST INR		4	3936465					0752	76			0000760020				1.32
			CAP DUST OUTER		4	721381					0752	76			0000760025				1.34
			GREASE BRG		*	9985005				250 LBS PER 1000 VEH.	0752	76							1.36

F.M.V.S.S.	REFERENCE	ZE06X00	MODEL YEAR 1978
		MODEL APPLICATION	ORIGIN DATE 770727
		REAR WHEEL BRGS & SEALS	LAST CHG. DATE
		UPC DESCRIPTION	LAST CHG. CODE
			70 4A5 A 1
			SK U. P. C. OF PAGE



GMT 922 1/75



SYMBOL (Installation) - LBS	SYMBOL (Inspection) - LBS	DATE	SYM	REVISION	AUTH	DR	CR	DEPARTMENTS	TRUCK	BOOK	
		7/77		ORIGINAL RELEASE	71000			T. Johnson	78	70	
									TITLE		
									AIR SPRING		
									NAME	DIVISION/UPC	SHEET
									REAR SPRING	48	1



# PRODUCT DESCRIPTION MANUAL

## ASSEMBLY INFORMATION

QMT 1061 REV. 9/78

GEN. TRUCK & COACH

ITEM	SEQ	PVS	ART OR TOOL DESCRIPTION	ADD'L DATA	QTY	PART NUMBER	ENGR CODE	SERIES	REV	ITEM RESTRICTION	DEPARTMENTS		CHANGE		LOGIC CODE	FUNCTION CODE	ADDITIONAL CODES	FNA	LINE NOS.
											#1	Z/STA	CD	AUTH					
AAC1014			RR SUSP AIR SPRG			1395R					0752								1.9
AAD2014			RR SUSP ALIGN			1458R					0752								1.10
AAD3014			RR AIR SUSP CONT			1801R			B3		0752								1.12
AAQ3024			RR AIR SUSP CONT			1823R			R1		0752								1.13
1070			SPRING AIR		2	2030001					0752	76		0000760030					1.19

F.M.V.S.S.	REFERENCE				ZE06X00		MODEL YEAR 1978			
							ORIGIN DATE 770727			
					MODEL APPLICATION		LAST CHG. DATE			
				REAR SPRINGS		LAST CHG. CODE				
				UPC DESCRIPTION		70 48 A 1				
						BK U. P. C. GW AGE				







PRODUCT DESCRIPTION MANUAL  
ASSEMBLY INFORMATION

ITEM	SEQ	REV	PART OR TOOL DESCRIPTION	ADD'L DATA	QTY	PART NUMBER	M O D	ENGINE CODES	SERIES	BOV	SPK	ITEM RESTRICTION	DEPARTMENTS		CHANGE		LOGIC CODE	FUNCTION CODE	ADDITIONAL CODES	FN.	LINE NOS
													#1	2/STA	CD	AUTH					
AA01014			AIR LINES RR			L6605							0752								1.9
AA01024			SUSP.										0752								1.9
AA02014			RR SUSP AIR SPR			L3958							0752								1.11
AA03014			FRT WHI ALIGN			L4584							0752								1.13
AA04014			TIRE CLEARANCE			L8650							0752								1.15
AA04024			CHECK.										0752								1.16
AA05014			TIRE CLEARANCE			L8830							0752								1.18
AA05024			STUDY										0752								1.18
0010AA			BRKT CONT ARM		2	721332							0752	76			0000760035			M	1.25
0020AA			SHIM CONT BRKT		*	702245							0752	75			0000750035			M	1.27
0030AA			SHIM CONT BRKT		*	702246							0752	75			0000750040			M	1.29
0040AA			ARM ASM		2	721316							0752	76			0000760040			M	1.31
0050AA			ARM ASM		2	721317							0752	76			0000760045			M	1.33
0060AA			WASHER		8	721087							0752	76							1.35
0070AA			SEAL THRUST		8	721373							0752	76			0000760050			M	1.37
0080AA			PIN THRUST		24	9415609							0752	76							1.39
0090AA			NUT SPRG MTG		4	219758							0752	76							1.41
0090AB			50:60 FT LBS										0752	76							1.42
0100AA			WASHER		4	138506							0752	76							1.44
0110AA			COMPOUND		*	8860775							0752	76							1.46
0120AA			PIN ARM BRKT		4	721329							0752	76			0000760055			M	1.48
0130AA			PLATE		2	721331							0752	76			0000760060			M	1.50
0140AA			SCREW		2	2433648							0752	76							1.52
0140AB			30:35 FT LBS										0752	76							1.53

ZE06X00

MODEL APPLICATION  
REAR SPRING METAL PARTS

UPC DESCRIPTION

MODEL YEAR 1978  
ORIGIN DATE 770727  
LAST CHG. DATE  
LAST CHG. CODE

70 4D A 1  
BR U P C D / 'AGE

ITEM	S E Q	P V	PART OR TOOL DESCRIPTION	ADD'L DATA	QTY	PART NUMBER	ENGINE CODES	SERIES	BOX BRN	ITEM RESTRICTION	DEPARTMENTS		CHANGE		LOGIC CODE	FUNCTION CODE	ADDITIONAL CODES	FN	LINE NOS
											#1	2/STA	CD	AUTH					
0150AA			FITTING		4	9411010					0752	76			0000760065			M	1.55
0160AA			O RING		4	2443965					0752	76			0000760070			M	1.57
0170AA			SPACER PIN		4	721330					0752	76			0000760075			M	1.59
0180AA*			LOCK NUT		4	791148					0752	76							2.2
0180AB*			40:45 FT LBS								0752	76							2.3
0190AA			WASHER PIN		4	2436170					0752	76							2.5
0200AA			BOLT		4	9426323					0752	76							2.7
0210AA			BOLT		8	9426323					0752	76							2.9
0220AA			WASHER		24	2436165					0752	76							2.11
0230AA*			LOCK NUT		12	9422301					0752	76							2.13
0230AB*			50:60 FT LBS								0752	76							2.14

P M V B B	ZE06X00	MODEL YEAR 1978 ORIGIN DATE 770727 LAST CHG. DATE LAST CHG. CODE
	MODEL APPLICATION REAR SPRING INSTAL PARTS	70 40 A 2 BK U. P. C. OF AGE
	REFERENCE	
	UPC DESCRIPTION	



PRODUCT DESCRIPTION MANUAL  
ASSEMBLY INFORMATION

GMT 1063 REV. 9/75

GEN. TRUCK & COACH

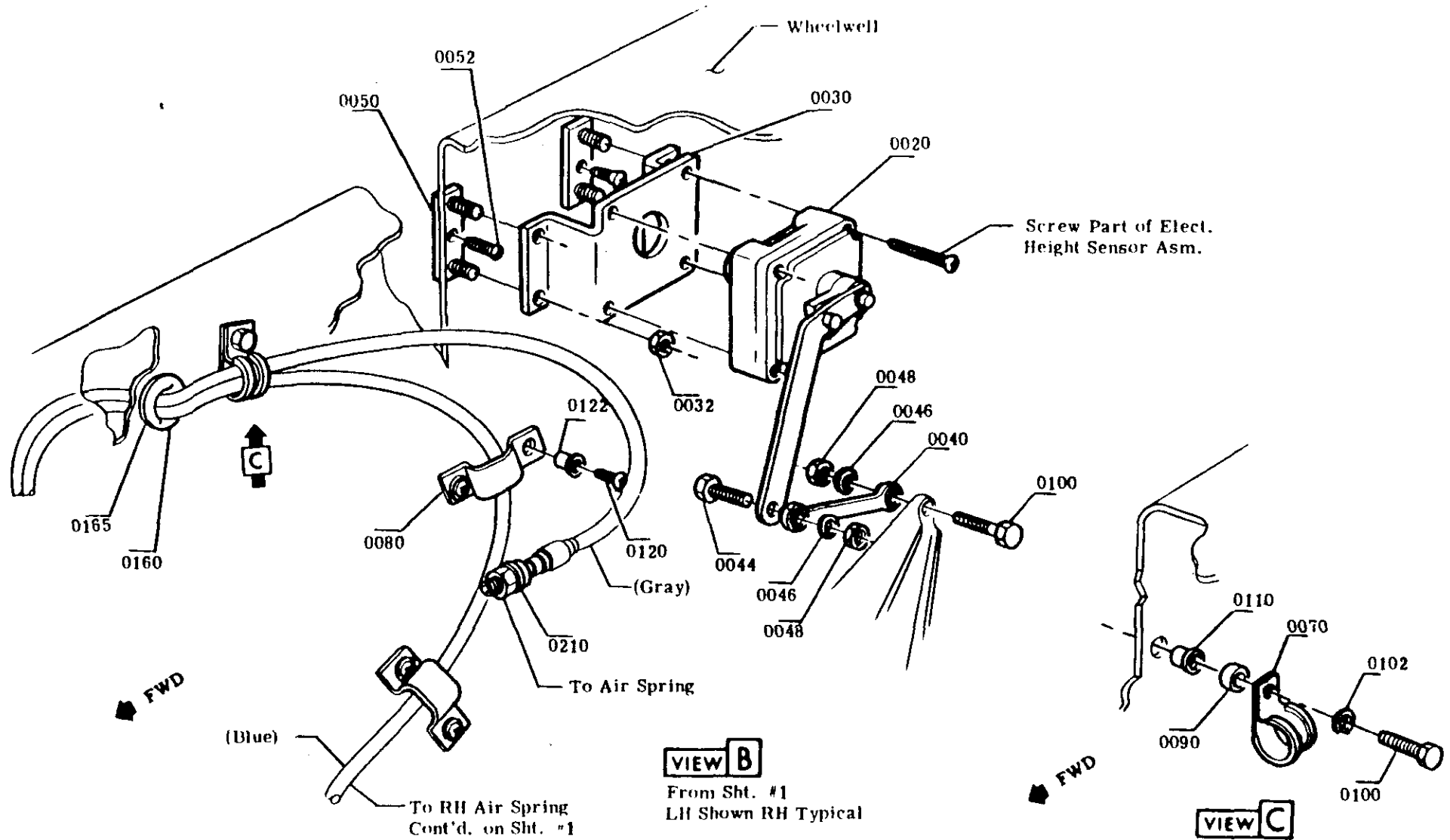
ITEM	SEQ	PVS	RT OR TOOL DESCRIPTION	ADD'L DATA	QTY	PART NUMBER	ENGINE CODES	SERIES	BOV	ITEM RESTRICTION	DEPARTMENTS		CHANGE		LOGIC CODE	FUNCTION CODE	ADDITIONAL CODES	FN.	LINE NOS
											#1	2/STA	CD	AUTH					
AA01074			RR SUSP JOINCE		4	13945					0752								1.9
AA01074			POSN BUMP STOP								0752								1.9
DD10AA			ABSORBER RS SHK		4	4975547					0752	76			0000760080			M	1.17
DD20AA			BRKT SLABS		4	701096					0752	76			0000760085			M	1.19
DD30AA			BOLT ABS BRKT		4	9425082					0752	76							1.21
DD40AA			WASHER S/ABS		4	2436169					0752	76							1.23
DC50AA			NUT 50:60 FT LBS		4	9422301					0752	76							1.25
DC60AA			BOLT BRKT		4	9428598					0752	76							1.27
DD70AA			WASHER BRKT		8	2436166					0752	76							1.29
DD80AA			NUT 70:90 FT LBS		4	9422303					0752	76							1.31
DC90AA			NUT 70:90 FT LBS		4	9422306					0752	76							1.33

F.M.V.S.S.	MODEL APPLICATION	ZED6X00	MODEL YEAR 1978
	REAR SHOCK ABSORBER		ORIGIN DATE 770727
	UPC DESCRIPTION		LAST CHG. DATE
			LAST CHG. CODE
			70 4E A 1
			BK U. P. C. OF AGE





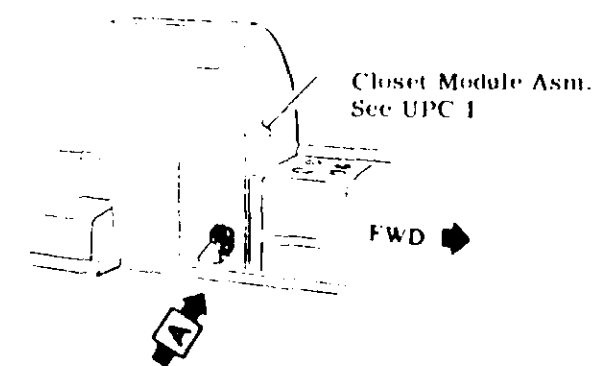
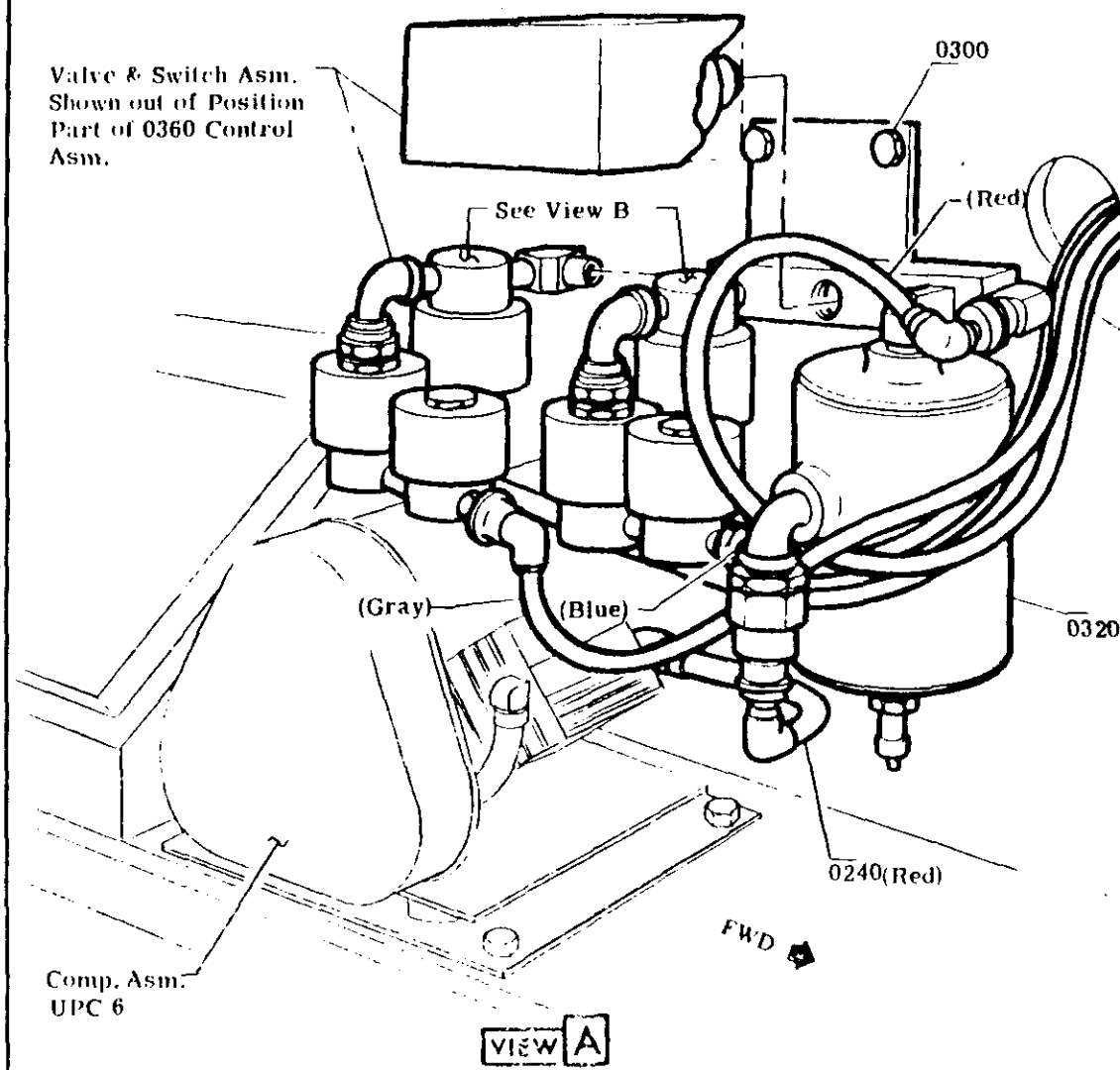
GMT 922 1/75



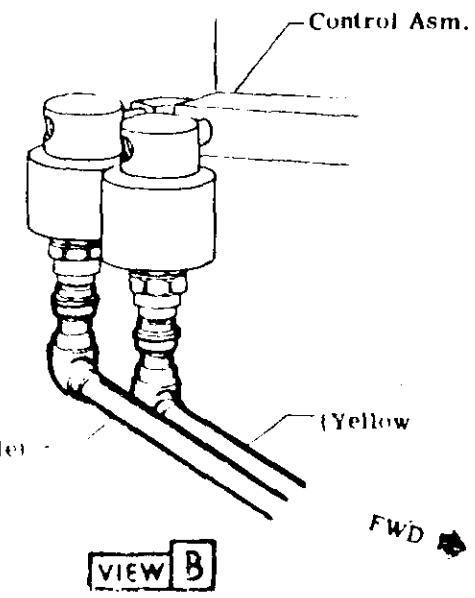
DYNAMIC (Installation) - LBS	HAND (Inspection) - LBS	DATE	SYM	REVISION	AUTH	DR	CE	DEPARTMENTS	78 TRUCK	BOOK 70
△		11-77		ORIGINAL RELEASE	47800	SP		VALVE		
△										
△										
△										
△										
△										
NAME SUSP. VALVES & CONTROLS									DIVISION/UPC <b>4K1</b>	SHEET <b>2</b>



GMT 922 8/74



Harness Asm.  
For Continuation  
See Sheet #1



DYNAMIC (Installation) - LBS	HAND Inspection - LBS	DATE	BY	REVISION	QTY	Q2	QK	DEPARTMENTS	TRUCK	BOOK
△ △ △ △									73 TRUCK	70
									CONTROL ASM. Z106591 W GXW	
									REAR AIR DIVISION/UPC	SHEET
									SUSP. VALS. 4X1	4
									& CONTROLS	



ITE	PART OR TOOL DESCRIPTION	ADD'L DATA	QTY	PART NUMBER	ENGINE CODES	SERIES	BODY PPK	ITEM RESTRICTION	DEPARTMENTS		CHANGE		LOGIC CODE	FUNCTION CODE	ADDITIO. CODES	FNA	LINE NOB.
									#1	2/5TA	CD	AUTH					
AA01014	RR SUSP AIR SPR		*	13958					0752								1-8
AA02014	RR AIR SUSP CONT		*	19362					0752								1-10
AA03014	RR SUSP CONT		*	18016				GXM	0752								1-12
AA04014	RR SUSP CONT		*	18229				R1GXM	0752								1-14
AA05014	RR SUSP CONT		*	18231				R1GXM	0752								1-14
AA06014	RR SUSP AIR SPR		*	13958					0782								1-16
AA07014	RR AIR SUSP CONT		*	19362					0782								1-20
AA08014	RR SUSP CONT		*	18016				GXM	0754								1-22
AA09014	RR SUSP CONT		*	18229				R1GXM	0754								1-24
AA10014	RR SUSP CONT		*	18231				R1GXM	0754								1-24
AA11014	RR SUSP CONT		*	18016				GXM	0784								1-24
AA12014	RR SUSP CONT		*	18229				R1GXM	0784								1-30
AA13014	RR SUSP CONT		*	18231				R1GXM	0784								1-32

A B C D E F.M.	ZE06X00										MODEL YEAR 1978	
	MODEL APPLICATION										ORIGIN DATE 770727	
	REAR 47" SUSP VALVES & CONTROLS										LAST CHG. DATE	
VPS DESIG										LAST CHG. CODE		
										70 4 A 1		
										PAGE		

# PRODUCT DESCRIPTION MANUAL

## ASSEMBLY INFORMATION

GMT 1081 REV. B/78



ITEM	QTY	PART OR TOOL DESCRIPTION	ADD'L DATA	QTY	PART NUMBER	ENGINE CODES	SERIES	DOY BRN	ITEM RESTRICTION	DEPARTMENT		CHANGE		LOGIC CODE	FUNCTION CODE	ADDITION CODES	PNA	LINE NO.
										#1	2/8TA	CD	AUTH					
0010AA		VALV HEIGHT COMT		2	4992987				GXM	0752	76			1387760200				1.34
0020AA		SENSOR HEIGHT		2	22007286				-GXM	0782	43			1388430100				1.34
0030AA		BRKT SENSOR		2	2027283				-GXM	0752	77			1388770045				1.34
0032AA		MUT BRKT		8	271178					0782	43							1.40
0032AB		95:140 LB IN								0782	43							1.40
0040AA		LINK ASM SENSOR		2	4950793					0752	77			0000770040				1.43
0042AA		BOLT LINK		2	9419006					0752	77							1.43
0044AA		BOLT LINK		2	9419010					0752	77							1.47
0048AA		WA BOLT		4	2436161					0752	77							1.49
0048AA		MUT 60:90 IN LBS		4	9422273					0752	77							1.51
0050AA		PLATE SENS MT		4	694606					0704	10			0000100070				1.53
0052AA		SCR PLT		4	443939					0704	10							1.55
0060AA		CLIP HOSE		4	1480632				-GXM	0752	76			1388780090				1.57
0070AA		CLIP HOSE		1	2007378				-GXM	0754	88			1388880033				1.59
0080AA		CLIP HOSE		4	2423131				-GXM	0754	88			1388880035				2.2
0090AA		SPACER CLIP		1	2476733				-GXM	0754	88			1388880040				2.4
0100AA		BOLT CLIP		1	9419006					0754	88							2.6
0100AA		35:60 LB IN								0754	88							2.7
0102AA		WA BOLT LK		1	103319					0754	88							2.9
0110AA		RIVNUT BOLT		1	2404667					0754	88							2.11
0120AA		SCR ASM CLIP		8	456890					0754	88							2.13
0122AA		RIVNUT SCR		8	2464989					0754	88							2.15

ZE06X00

MODEL APPLICATION

REAR A SUSP VALVES & CONTROLS  
UPC DRCS

MODEL YEAR 1978  
ORIGIN DATE 770727  
LAST CHG. DATE  
LAST CHG. CODE

70 4 A 2  
85 U. P. GMP PAGE

REFERENCE

# PRODUCT DESCRIPTION MANUAL

## ASSEMBLY INFORMATION

QMT 1061 REV. 8/78



ITEM	QTY	PART OR TOOL DESCRIPTION	ADD'L DATA	QTY	PART NUMBER	ENGINE CODES	SERIES	REV	ITEM RESTRICTION	DEPARTMENTS		CHANGE		LOGIC CODE	FUNCTION CODE	ADDITIONAL CODES	LINE NOS.
										#1	2/STA	CD	AUTH				
0130AA	1	HOSE SENSOR		1	2007612				-GXW	0752	78			1388780100	M		2.17
0140AA	1	HOSE SENSOR		1	2007613				-GXW	0752	78			1388780105	M		2.18
0150AA	1	HARN AIR SUSP		1	2007611				GXM	0752	76			1387760205	M		2.21
0160AA	2	GROMMET		2	2215928				GXM	0754	88						2.23
0160AB	1	GROMMET		1	2215928				-GXW	0754	88						2.24
0165AA	4	SEALER GROM		4	8861476					0754	88						2.26
0170AA	1	CLIP HARN		1	2301257				GXM	0754	88			1387880190	M		2.28
0180AA	1	SPACER CLIP		1	2476733				GXM	0754	88			1387880195	M		2.30
0190AA	3	CLIP LINES/CMBR		3	708513				GXM	0752	76			1387760210	M		2.32
0200AA	4	CLIP SPCR		4	2423131				GXM	0754	88			1387880200	M		2.34
0210AA	2	ADAPTER FTG		2	793387				-GXW	0752	77			1388770035	M		2.36
0210AB	4	ADAPTER FTG		4	793387				GXM	0752	77			1387770035	M		2.37
0220AA	2	ADAP LINE-FTG		2	793388				GXM	0752	76			1387760215	M		2.39
0230AA	2	ADAP LINE-FTG		2	793389				GXM	0752	76			1387760220	M		2.41
0240AA	1	HARN RED A SUSP		1	2007617				GXM	0752	76			1387760225	M		2.43
0250AA	1	SW TMK-PRESS		1	2008347				81GXW	0754	90			1387900100	M		2.45
0260AA	2	VLV SOL		2	2006761				81GXW	0754	90			1387900105	M		2.47
0270AA	1	BRKT SOL HT		1	2007486				81GXW	0754	90			1387900110	M		2.49
0280AA	4	ADAP SOL VLV		4	793388				81GXW	0754	90			1387900115	M		2.51
0280AB		10:15 IN LBS								0754	90						2.52
0290AA	4	SEALER LINE CONN	72"	4	8860653				81GXW	0754	90						2.54
0300AA	5	SCR TK-SW-SOL		5	9420065				81GXW	0754	90						2.56
0310AA	4	SCR VLV-BRKT		4	456963				81GXW	0754	90						2.58
0320AA	1	CONT AIR SUSP		1	2008492				81GXW	0754	90			1387900120	M		3.1

	ZE06X00	MODEL YEAR 1978
		ORIGIN DATE 770727
		LAST CHG. DATE 770817
		LAST CHG. CODE
F.M.V.S.S.	REFERENCE	70 4K A 3 BE W.P.L. AM P.08
	MODEL APPLICATION REAR AIR SP VALVES & CONTROLS	
	UPC DESCRIPTION	







# PRODUCT DESCRIPTION MANUAL

## ASSEMBLY INFORMATION

GMT 1061 REV. 8/75

ITEM	L Q	PART OR TOOL DESCRIPTION	ADD'L DATA	Q T Y	PART NUMBER	O D	ENGINE CODES	SERIES	HYD BRK	ITEM RESTRICTION	DEPARTMENTS		CHANGE C.D.	AUTH	LOGIC CODE	FUNCTION CODE	ADDITIONAL CODES	PNA	LINE NOS	
											#1	2/STA								
		MVSS STD. 116 CAT. 1 (HYDRAULIC BRAKE FLUID)																		1.8
		1. HYDRAULIC BRAKE FLUID SHALL COMPLY WITH THE REQUIREMENTS OF THE FEDERAL MOTOR VEHICLE SAFETY STANDARD #116.																		1.11 1.12
		2. DUE CARE MUST BE USED IN HANDLING, STORAGE AND INSTALLATION OF HYDRAULIC BRAKE FLUID TO AVOID ANY CONTAMINATION AND INCLUSION OF EXCESSIVE AIR BUBBLES.																		1.15 1.16
		3. PROLONGED EXPOSURE TO ATMOSPHERE IN OPEN CONTAINERS SHOULD BE AVOIDED TO PREVENT ABSORPTION OF MOISTURE FROM THE AIR.																		1.19 1.20
		4. A LABORATORY SAMPLE MUST BE TAKEN FROM THE "HYDRAULIC BRAKE FLUID CONDITIONER" TWICE WEEKLY FOR LABORATORY ANALYSIS.																		1.23 1.24
		5. IT IS REQUIRED THAT EACH TIME A NEW HYDRAULIC FLUID BULK CONTAINER IS CONNECTED TO THE MAIN SUPPLY SYSTEM A FLUID SAMPLE IS TO BE TAKEN AND SENT TO THE "FUEL AND LUBRICATION" LABORATORY FOR ANALYSIS. THE CERTIFICATION TAG FROM THE USED BULK CONTAINER MUST ALSO BE REMOVED AND SENT TO THE LABORATORY FOR RECORD PURPOSES.																		1.27 1.28 1.29 1.30
		PROCESS DOCUMENTATION: THIS PROCESS REQUIRES DEGREES OF METALLURGICAL AND/OR CHEMICAL CONTROL.																		1.50 1.51
		APPROVED BY: <i>James E. Pugh</i>																		1.53
		DATE: <i>9/1/77</i>																		1.55
1		STD 116	1977 PDM							ZEO5XXX										MODEL YEAR 1978
2		CAT. 1																		ORIGIN DATE
3		HYD. BRAKE																		LAST CHG DATE
4		FLUID																		LAST CHG CODE
5																				70 5 7 1
	F.M.V.S.S.		REFERENCE							MODEL APPLICATION BRAKES (HYDRAULIC FLUID)										BR U. P. C. P PAGE





# PRODUCT DESCRIPTION MANUAL

## ASSEMBLY INFORMATION

GMT 1061 REV. 5/76

ITEM	PART OR TOOL DESCRIPTION	ADD'L DATA	QTY	PART NUMBER	ENGINE CODES	SERIES	PROY. BUNK	ITEM RESTRICTION	DEPARTMENTS		CHANGE		LOGIC CODE	FUNCTION CODE	ADDITIONAL CODES	LINE NOS.
									#1	2/STA	CD	AUTH				
	MVSS STD UPC-5	CAT. 3														1.8
	DUE CARE MUST BE EXERCISED DURING THE HYDRAULIC BRAKE SYSTEM TEST OPERATION. PRECAUTIONS MUST BE TAKEN TO KEEP ALL TOOLS AND EQUIPMENT USED IN THIS OPERATION CLEAN SO AS NOT TO CONTAMINATE THE HYDRAULIC BRAKE FLUID.															1.10
	MANDATORY HYDRAULIC BRAKE TEST PROCEDURE:															1.15
	STEP #1 - PLACE INSPECTION CARD ON PRINT OUT TRAY ON TEST UNIT.															1.17
	STEP #2 - POSITION TEST PROBE IN REAR COMPARTMENT OF BRAKE MASTER CYLINDER AND OPEN FLUID VALVE ON PROBE.															1.19
	STEP #3 - ATTACH TRAVEL CHAIN TO CHASSIS AND CONTINUITY CORD TO COMBINATION SWITCH MOUNTED ON LEFT HAND FRAME RAIL.															1.22
	STEP #4 - PUSH "CYCLE START" BUTTON ON PANEL. THIS STARTS AUTOMATIC TEST CYCLE - SYSTEM "IN TEST" LIGHT (YELLOW) COMES ON.															1.25
	STEP #5 - OBSERVE PRESSURE GAGE ON TEST UNIT. INDICATED PRESSURE SHOULD GO UP TO APPROXIMATELY 2000 PSI, THEN DROP DOWN TO 1800 PSI FOR LEVEL TESTING. IF THE "AIR REJECT" LIGHT ON UNIT COMES ON DURING THIS PHASE OF THE TEST CYCLE, THE PROBE SHOULD BE RESET IN THE MASTER CYLINDER AND TEST STARTED AGAIN ("AIR REJECT" ON FIRST TEST COULD BE A FALSE READING DUE TO BRAKE HOSES AND BRAKE SHOES EXPANDING). IF "SWITCH REJECT" LIGHT COMES ON DURING TEST, THE SWITCH MUST BE REPLACED AND THE SYSTEM REFILLED AND TESTED.															1.28
	STEP #6 - IF BRAKE SYSTEM IS O.K. - "NO REJECT" LIGHT WILL COME ON AND TEST UNIT WILL PUNCH "BRAKE TEST O.K." ON INSPECTION CARD. THE INSPECTOR WILL THEN USE HIS PUNCH OVER THE O.K. STAMP. IF THE TEST UNIT REJECTS THE BRAKE SYSTEM, THE INSPECTOR WILL WRITE THE TYPE OF REJECT ON THE INSPECTION CARD SO THAT PROPER CORRECTIVE REPAIR CAN BE MADE.															1.32
	STEP #7 - CHECK FOR PROPER AMOUNT OF BRAKE FLUID IN MASTER CYLINDER RESERVOIR.															1.33
																1.34
																1.35
																1.37
																1.38
																1.39
																1.40
																1.41
																1.42
																1.44
																1.45
																1.46
																1.48
																1.51
	PROCESS DOCUMENTATION: THIS PROCESS REQUIRES SPECIAL TRAINING OF OPERATORS FOR PROPER SEQUENCE OF OPERATIONS AND PROPER USE OF TOOLS.															1.52
	APPROVED BY: <i>James E. Rugh</i>															1.54
	DATE: <i>9/1/77</i>															1.56

1	UPC 5	1877 PDH	ZF05XXX	MODEL YEAR 1976
2	CAT. 3			ORIGIN DATE
3	HYD. BRAKES			LAST CHG. DATE
4				LAST CHG. CODE
5				70 5
P.M.V.B.B.	REFERENCE		UPC DESCRIPTION	BRK U. P. C.
			BRAKES (HYDRAULIC)	PAGE



# PRODUCT DESCRIPTION MANUAL

## ASSEMBLY INFORMATION

GMT 1061 REV. 6/78

GM TRUCK & COACH

ITEM	QTY	PART OR TOOL DESCRIPTION	ADD'L DATA	QTY	PART NUMBER	ENGINE CODES	SERIES	BODY BRK	ITEM RESTRICTION	DEPARTMENTS		CHANGE		LOGIC CODE	FUNCTION CODE	ADDITIONAL CODES	FNA	LINE NOS	
										#1	2/STA	CD	AUTH						
AA01C14		RR HUB/DRUM/BRK		*	16095					0752								1.0	
0010AA		SPINDLE RR AXLE		4	721507					0752	76			0000760090			M	1.17	
0020AA		BRAKE ASM RR LH			218001593					0752	76			0000760095			M	1.18	
0030AA		BRAKE ASM RR RH			218001594					0752	76			0000760100			M	1.21	
0040AA		BOLT RR AXLE		16	9420892					0752	76							1.23	
0050AA		WASHER BOLT		16	2436163					0752	76							1.23	
CC60AA		NUT 25:30 FT LBS		16	9422297					0752	76							1.27	
0070AA		HUB & DRUM ASM		4	721424					0752	76			0000760105			M	1.29	
										ZE06X00									
										MODEL APPLICATION									
										REAR BRAKES									
										UPC DESCRIPTION									
														MODEL YEAR 1978					
														ORIGIN DATE T70727					
														LAST CHG. DATE					
														LAST CHG. CODE					
														70 58 A 1					
														BK V. P. C. SM AGE					

F.M.V.B.B.

REFERENCE

MODEL APPLICATION

REAR BRAKES

UPC DESCRIPTION

MODEL YEAR 1978  
ORIGIN DATE T70727  
LAST CHG. DATE  
LAST CHG. CODE  
70 58 A 1  
BK V. P. C. SM AGE



ITEM E D	PART OR TOOL DESCRIPTION	ADD'L DATA	Q T Y	PART NUMBER	ENGINE CODES	SERIES	BODY BRK	ITEM RESTRICTION	DEPARTMENTS		CHANGE		LOGIC CODE	FUNCTION CODE	ADDITIONAL CODES	LINE NOS.	
									#1	2/STA	CD	AUTH					
U01AA	BRAKE CONTROL			13337					0782						99500	1.8	
U01AA	PEDAL ASM BRAKE		1	2022287					0782	42	253100000	20100			M00100	1.15	
U02AA	PAW BRK PEDAL		1	412665					0782	42		0000420105			M00130	1.17	
U03AA	PLATE BRK PED		1	412664					0782	42		0000420110			M00450	1.19	
U04AA	BRKT BRK PED		1	692328					0782	42		0000420115			M02300	1.21	
U05AA	BRKT BRK PED		1	2022286					0782	42	253100000	20120			M02400	1.23	
U06AA	BOLT BRKT		2	9418822					0782	42					02500	1.25	
U07AA	BULT BRKT		1	126358					0782	42					02500	1.27	
U08AA	WASHER BRKT		2	2436163					0782	42					02600	1.29	
U09AA	WASHER BRKT		1	103320					0782	42					02600	1.31	
U10AA	NUT BRKT		2	9422277					0782	42					02800	1.33	
U10AA	15:20 FT LBS								0782	42							1.34
U11AA	NUT BRKT		1	9417954					0782	42					02800	1.36	
U11AA	70:90 IN LBS								0782	42							1.37
U12AA	SHAFT BRK PED		1	692466					0782	42		0000420125			M02900	1.39	
U13AA	BUSHING BRK PED		2	3769302					0782	42		0000420130			M03000	1.41	
U14AA	WASHER BRK PED		2	103329					0782	42					04120	1.43	
U15AA	BOLT BRK PED		2	9419097					0782	42					04220	1.45	
U16AA	PIN BRK PED		1	138085					0782	42					04300	1.47	
U17AA	WASHER BRK PED		2	9420022					0782	42					04400	1.49	
U18AA	PIN BRK PED		1	103373					0782	42					04500	1.51	

1 2 3 4 5 F.M.V.S.			ZE06X00											MODEL YEAR 1978	
														ORIGIN DATE 770727	
														LAST CHG. DATE 770913	
														LAST CHG. CODE 25310	
				MODEL APPLICATION	SERV BRK PEDAL & CONN TO CYL										
		REFERENCE	UPC DESCRIPTOR												BR. U. P. C.
															PAGE

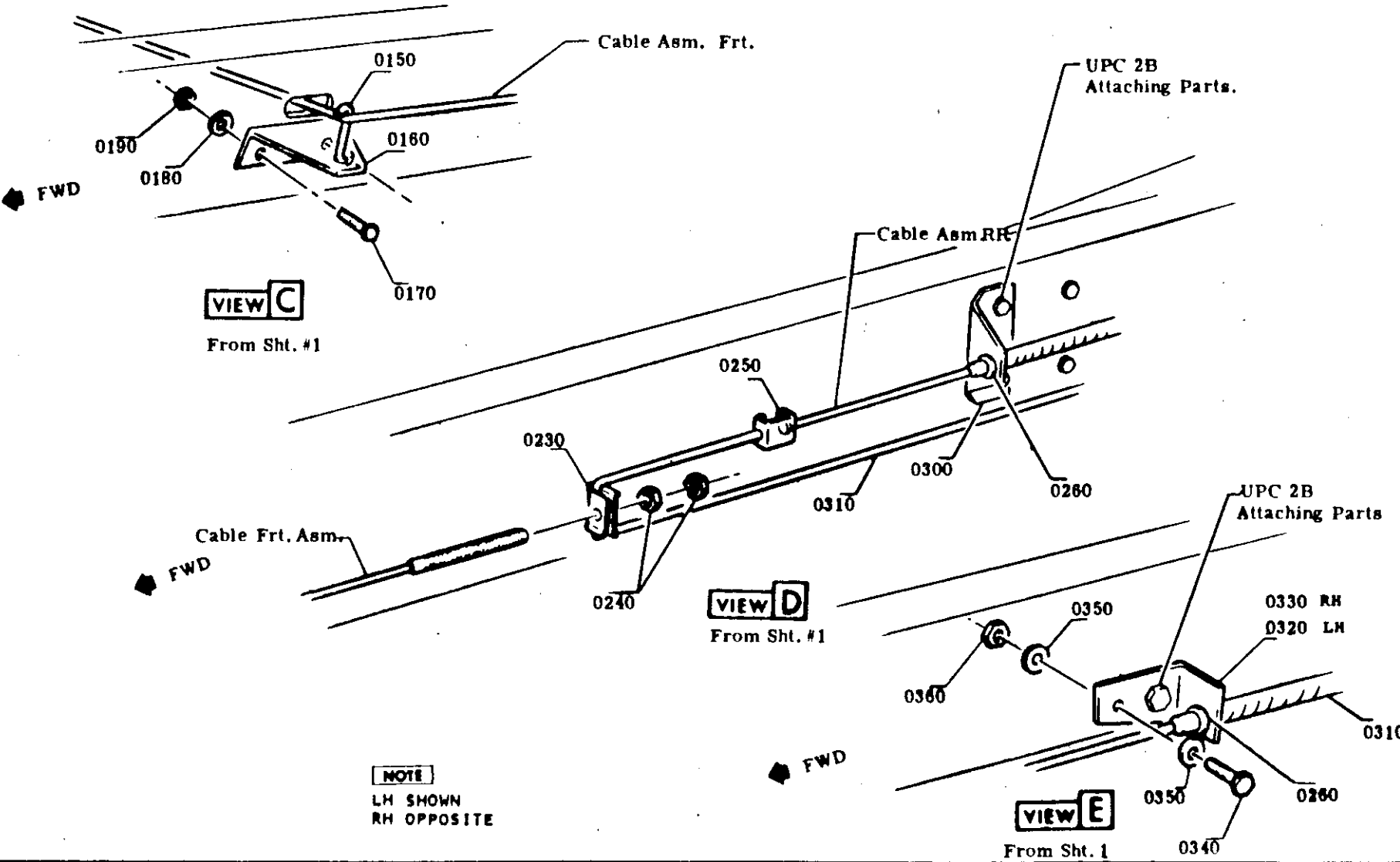








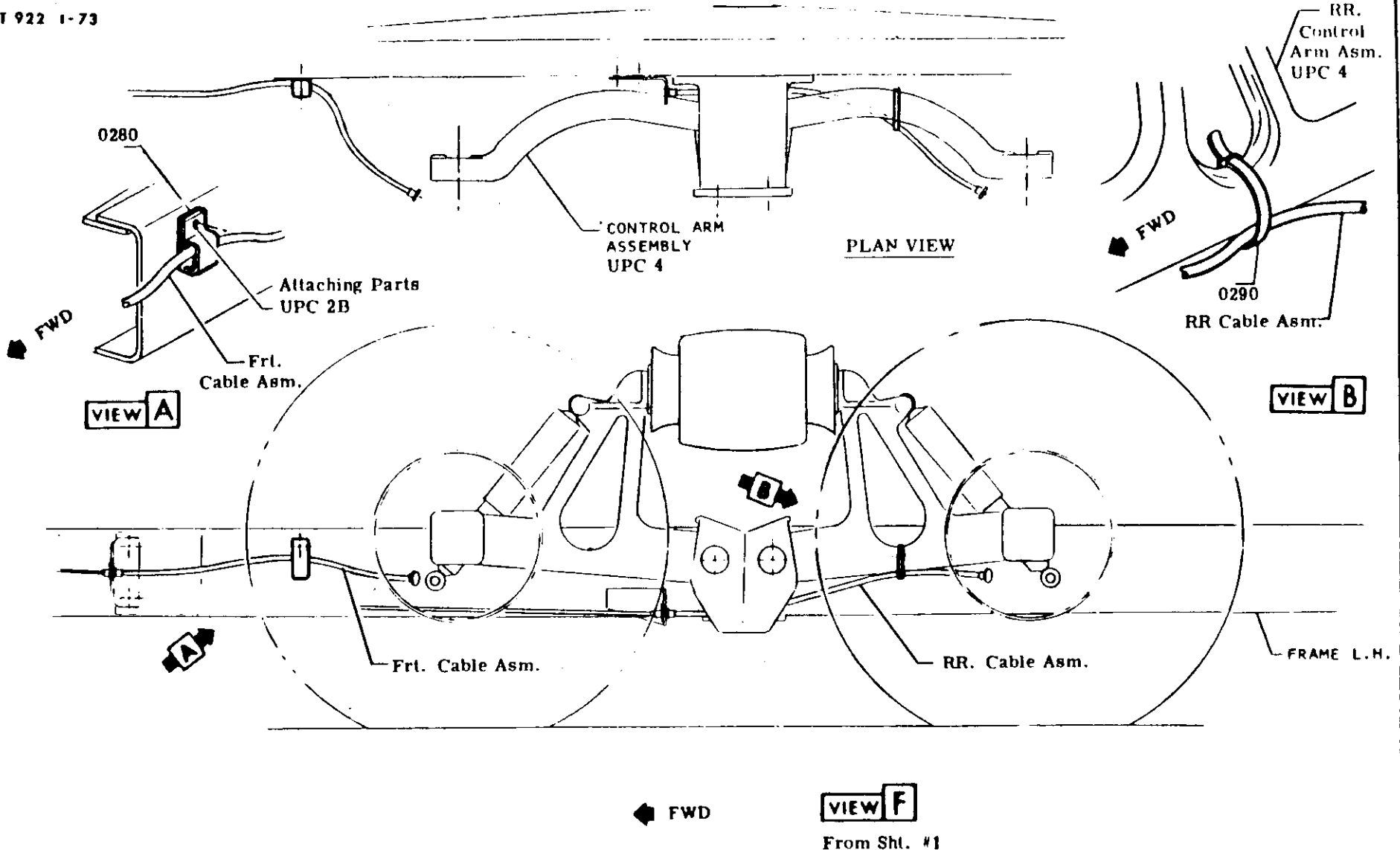
GMT 922 1-73



PREPARED (Institution) - LBS	REVISION	DATE	SYM	AUTH	DR	CR	DEPARTMENTS
	<i>ORIGINAL RELEASE</i>	<i>1-77</i>		<i>1100</i>	<i>11</i>	<i>11</i>	<i>TRUCK DIV</i>

<b>TRUCK</b>		<b>BOOK 70</b>	
<b>PARKING BRAKE CABLE</b>			
PARK BRAKE MECH.	<b>5D</b>	SHEET	<b>3</b>

GMT 922 1-73



DYNAMIC (Installation) - LBS	HARD (Inspection) - LBS	DATE	SYM	REVISION	AUTH	DR	CR	DEPARTMENTS	TRUCK	BOOK	
<input checked="" type="checkbox"/>		6-3-77		ORIGINAL RELEASE	47000				'78	70	
									PARKING BRAKE CABLE		
									NAME PARK BRAKE MECH.	DIVISION 5D	SHEET 4

ITEM NO.	PART OR TOOL DESCRIPTION	APP'D DATA	QTY	PART NUMBER	ENGINE CODES	SERIES	BODY	ITEM DESCRIPTION	DEPARTMENTS		CHARGE CODE	FLOOR CODE	FUNCTION CODE	ADDITIONAL COSTS	UNIT COST
									41	251A					
0005AA	PARK BRK INSTAL	.....	*	13250	.....	.....	.....	.....	0782	.....	.....	.....	.....	.....	1.3
0006AA	PARK BRK INSTAL	.....	*	13250	.....	.....	.....	.....	0754	.....	.....	.....	.....	.....	1.1
0007AA	PARK BRK INSTAL	.....	*	13250	.....	.....	.....	.....	0752	.....	.....	.....	.....	.....	1.1
0008AA	LEVER ASM	.....	1	704302	.....	.....	03-BRU	.....	0782	42	.....	1300420139	.....	.....	1.14
0009AA	LEVER ASM	.....	1	791160	.....	.....	83BRU	.....	0782	42	.....	1257420139	.....	.....	1.14
0010AA	BOLT BRK LVR	.....	2	9419034	.....	.....	.....	.....	0782	42	.....	.....	.....	.....	1.1
0020AA	NUT BRK LVR	.....	2	9422279	.....	.....	.....	.....	0782	42	.....	.....	.....	.....	1.1
0030AA	SPACER BRK LVR	.....	1	699017	.....	.....	.....	.....	0782	42	.....	0057420140	.....	.....	1.6
0040AA	RETAINER BRK LVR	.....	1	699018	.....	.....	.....	.....	0782	42	.....	0007420140	.....	.....	1.2
0050AA	BOLT RET	.....	4	9437568	.....	.....	.....	.....	0782	42	61300	.....	.....	.....	1.5
0060AA	WASHER RET	.....	4	2436162	.....	.....	.....	.....	0782	42	.....	.....	.....	.....	1.2
0070AA	NUT RET	.....	4	9422279	.....	.....	.....	.....	0782	42	.....	.....	.....	.....	1.2
0080AA	SEALER PLASTIC	.....	4	4833058	.....	.....	.....	.....	0782	42	.....	.....	.....	.....	1.3
0090AA	NOTE: USE .01 OZ PER SQ INCH TO ALL FAYING SURFACES.	.....	.....	.....	.....	.....	.....	.....	0782	42	.....	.....	.....	.....	1.0
0100AA	CABLE PARK BRK	.....	1	797243	.....	.....	.....	.....	0782	42	.....	0000420150	.....	.....	1.5
0110AA	EQUALIZER, CABLE	.....	1	550180	.....	.....	.....	.....	0754	40	.....	0000800045	.....	.....	1.0
0120AA	NUT CBL ADJ	.....	2	9417954	.....	.....	.....	.....	0754	88	.....	.....	.....	.....	1.0
0130AA	CLIP CABLE	.....	1	711270	.....	.....	.....	.....	0754	88	.....	0000800150	.....	.....	1.0
0140AA	NOTE: REFER TO UPC 7A FOR ATTACHING PARTS.	.....	.....	.....	.....	.....	.....	.....	0754	40	.....	.....	.....	.....	1.0
0150AA	STRAP CABLE	.....	1	657558	.....	.....	.....	.....	0754	40	.....	0000800055	.....	.....	1.0
0160AA	GUIDE CABLE	.....	1	691866	.....	.....	.....	.....	0752	77	.....	0000770050	.....	.....	1.0
0170AA	GUIDE CABLE	.....	2	1497532	.....	.....	.....	.....	0752	77	.....	0000770055	.....	.....	1.0
0180AA	BRACKET GUIDE	.....	2	691867	.....	.....	.....	.....	0752	77	.....	0000770055	.....	.....	1.5

1  
2  
3  
4  
5

REFERENCE

2E06XU0

MODEL APPLICATION  
PARKING BRAKE MECHANISM  
UPC DESCRIPTION

MODEL YEAR 1978  
ORIGIN DATE 110187  
LAST CHG DATE 11008  
LAST CHG CODE 6139Q  
70 50 A I  
BK U. P. C. OR AGE

# PRODUCT DESCRIPTION MANUAL

## ASSEMBLY INFORMATION

DMT 1061 REV. 8/78



ITEM	QTY	PART OR TOOL DESCRIPTION	ADD'L DATA	QTY	PART NUMBER	ENGINE CODES	SERIES	BOX BRK	ITEM RESTRICTION	DEPARTMENTS		CHANGE		LOGIC CODE	FUNCTION CODE	ADDITION CODES	LINE NOS.
										#1	2/8TA	CD	AUTH				
0170AA		BOLT GUIDE		4	9427321					0752	75						1.53
0180AA		WASHER GUIDE		4	2436163					0752	75						1.54
0190AA		NUT GUIDE		4	9422297					0752	75						1.55
0200AA		CLIP CBL SUPT		1	2399079					0782	50		0000	500045			1.56
0210AA		SCREW CLIP		1	9422404					0782	50						2.2
0220AA		CABLE ASM		1	691965		65			0752	77		0000	770060			2.4
0220AD		CABLE ASM		1	691966		60			0752	77		0000	770060			2.5
0230AA		EQUALIZER CAB RR		2	555180					0752	77		0000	770065			2.7
0240AA		NUT		4	9418892					0752	77						2.9
0250AA		CONN BRK CBL		2	537485					0752	77		0000	770070			2.11
0260AA		RET BRK CBL		4	3875092					0752	77		0000	770075			2.13
0270AA		CABLE ASM RR		2	1240558					0752	77		0000	770080			2.15
0280AA		CLIP PARK BRK		2	712715					0752	77		0000	770085			2.17
0290AA		STRAP PARK BRK		2	657558					0752	77		0000	770090			2.19
0300AA		BRKT PARK BRK		2	691945					0752	75		0000	750050			2.21
0310AA		CABLE ASM LMR		2	691963					0752	77		0000	770095			2.23
0320AA		BRKT CABLE		1	691943					0752	75		0000	750055			2.25
0330AA		BRKT CABLE		1	691944					0752	75		0000	750060			2.27
0340AA		BOLT CABLE		2	9420462					0752	75						2.29
0350AA		WASHER CABLE		4	2436163					0752	75						2.31
0360AA		NUT CABLE		2	9422297					0752	75						2.33
0370AA		NOTE: REFER TO UPC 28 FOR BRKT ATTACHING HOW.								0752	75						2.35

1 2 3 4 5 F.M.V.	ZE06X00										MODEL YEAR 1978			
											ORIGIN DATE 770727			
											LAST CHG. DATE			
											LAST CHG. CODE			
	REFERENCE										70 5F A 2 BK V. P. BRK PAGE			

MODEL APPLICATION  
PARKING BRAKE MECHANISM  
UPC DESCR: /



PRODUCT DESCRIPTION MANUAL  
ASSEMBLY INFORMATION

ITEM	QTY	PART OR TOOL DESCRIPTION	ADD'L DATA	QTY	PART NUMBER	ENGINE CODES	SERIES	BODY BKK	ITEM RESTRICTION	DEPARTMENTS		CHANGE		LOGIC CODE	FUNCTION CODE	ADDITIONAL CODES	PNA	LINE NOS
										#1	2/STA	CD	AUTH					
AA0014		BRAKE CONTRL		*	L3337					0782								1.8
AA02014		LOUS CHART		*	MD1029R					0752								1.10
AA03014		BRAKE CONTRL		*	L3337					0754								1.12
AA04014		BRAKE CONTRL		*	L3337					0752								1.14
AA04014		BRAKE CONTRL		*	L3337					0702								1.16
DD00AA		CYLINDER ASM			116001514					0752	80			0000800080		M		1.20
DD02AA		FLUID HYD BKR		*	9985013					0752	81							1.22
DD03AA		WOT MAIN CYL		2	9422277					0754	87							1.24
DD04AA		ERRT MAIN CYL		1	702350					0782	42			0000420155		M		1.26
DD05AA		EDLY MAIN CYL		2	9418822					0782	42							1.28
DD06AA		WASHER MAIN CYL		2	103321					0782	42							1.30
DD07AA		WA LK		2	2436163					0782	42							1.32
DD08AA		PIVOT		2	2390354					0702	5							1.34

1 5 0 PMVSS	7E06X00	MODEL YEAR 1978
	MODEL APPLICATION	ORIGIN DATE 770727
	HYDRAULIC MASTER CYLINDER	LAST CHG. DATE 770927
REFERENCE	UPC DESCRIPTI	LAST CHG. CODE
		70 SE 1
		BK U. P. C. PAGE

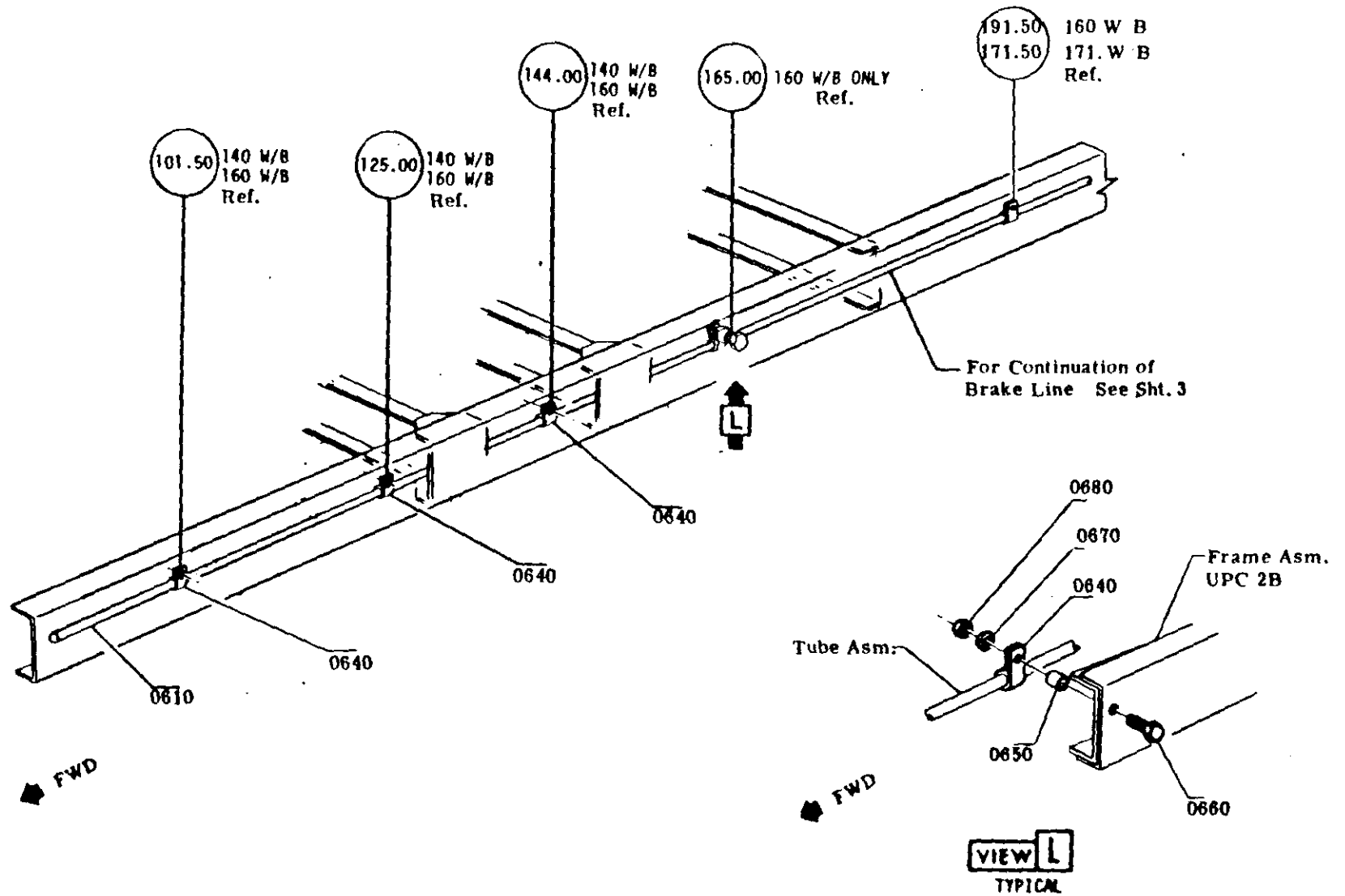




# PRODUCT DESCRIPTION MANUAL

ITEM REFERENCE   
  PROCESS MATERIAL   
  TORQUE   
  PART OF OR EXISTING

GMT 922 1-73



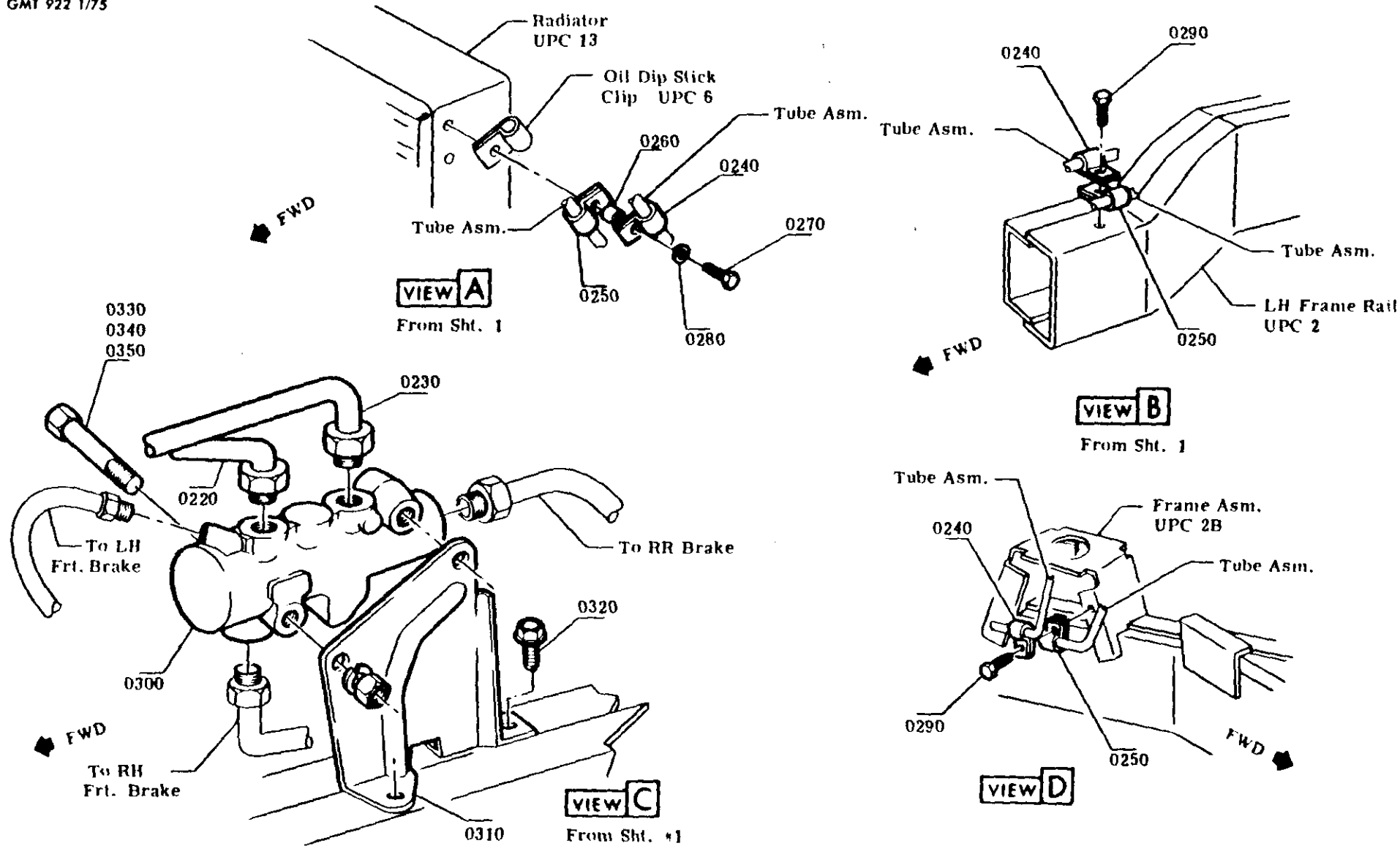
DYNADE (Installation) - LBS	HAARD (Inspection) - LBS	DATE	SYM	REVISION	AUTH	DR	CR	DEPARTMENTS	70 TRUCK	BOOK 70
▲		6-28-77		ORIGINAL RELEASE	4-20-80	37	PS		TITLE	
▲									INTERMEDIATE LINE ROUTING	
▲									NAME	
▲									HYDRAULIC BRAKE LINES	
▲									ISSUE	5F
▲									SHEET	2



# PRODUCT DESCRIPTION MANUAL

ITEM REFERENCE   
  PROCESS MATERIAL   
  TORQUE   
  PART OF OR EXISTING

GMT 922 1/75



DYNAMIC (Installation) - LBS	STATIC (Inspection) - LBS	DATE	SYM	REVISION	AUTH	DR	ER	DEPARTMENTS	TRUCK	BOOK
▲		6/27		ORIGINAL RELEASE	H7000	ST	3		'78	70
▲									TITLE	
▲									FRONT TUBE CLIPPING	
▲									NAME	DIVISION/UPC
▲									HYDRAULIC BRAKE LINES	5F
▲									SHEET	4









ITEM NO	PART OR TOOL DESCRIPTION	ADD'L DATA	QTY	PART NUMBER	D.O.	ENGINE CODES	SERIES	BODY	RESTRICTION	DEPARTMENTS		CHANGE CD	AUTH	LOGIC CODE	FUNCTION CODE	ADDITIONAL CODES	LINE NOS	
										#1	2/51A							
	AA0604 HYD BRK LINES &			L6610						0752							1.8	
	AA0602 1/2 FUEL LINE									0752							1.9	
	AA0603 HOSE ROUTING									0752							1.10	
	AA0604 BRK CONT			L3337						0752							1.12	
	005044 HOSE ASH FRT BRK		2	9758214						0752	66			0000660095		M	1.21	
	005044 WASHER		2	231343						0752	66						1.23	
	005044 BRACKET		2	550212						0752	66			0000660035		M	1.25	
	005044 SCREW		2	9422232						0752	66						1.27	
	005044 YOK		2	334961						0752	66			0000660040		M	1.29	
	005044 CLIP		2	410671						0752	66			0000660045		M	1.31	
	005044 NOTE: REFER TO	UPC 5A FOR BRKT.								0752	66						1.33	
	005244 CLIP FRT BRK HSE		2	394747						0752	66			0000660050		M	1.35	
	005444 SCREW HSE CLIP		2	9422232						0752	66						1.37	
	007044 HOSE & SLEV ASH		2	9757843						0752	76			0000760110		M	1.39	
	008044 BOLT 25X30 FT LB		2	9418995						0752	76						1.41	
	008044 WASH		2	103321						0752	76						1.43	
	008044 WASHER		2	9421042						0752	76						1.45	
	011044 SPACER		2	2380301						0752	76			0000760115		M	1.47	
	012044 BRACKET		4	701271						0752	76			0000760120		M	1.49	
	013044 BOLT		6	9419032						0752	76						1.51	
	014044 WASHER		3	2436162						0752	76						1.53	
REFERENCE									2E06X00						MODEL YEAR 1978 ORIGIN DATE 770727 LAST CHG DATE 770927 LAST CHG CODE 70 SF A 1 BY P.C. 979 106			
F.M.V.S.S.									MODEL APPLICATION BRAKE LINES HYDRAULIC UPC DESCRIPTION									



# PRODUCT DESCRIPTION MANUAL

## ASSEMBLY INFORMATION

JMT 1061 REV. 5/78

GRK TRUCK & COACH

ITEM	S E Q	P V S	PART OR TOOL DESCRIPTION	ADD'L DATA	Q T Y	PART NUMBER	ENGINE CODES	SERIES	DOY EPR	ITEM RESTRICTION	DEPARTMENTS		CHANGE		LOGIC CODE	FUNCTION CODE	ADDITIONAL CODES	FNA	LINE NOS	
											ET	2/STA	CD	AUTH						
0150AA			NUT 95x145 IN LB		8	9422275					0752	76								1.59
0160AA			YOKE		4	334961					0752	76			0000760125		M			1.51
0170AA			TB ASM RR BRK		2	794495					0752	76			0000760130		M			1.59
0180AA			TB ASM RR BRK		2	794495					0752	76			0000760135		M			2.2
0190AA			CLIP		4	120520					0752	76			0000760140					2.4
0200AA			SCREW		4	9417267					0752	76								2.6
0210AA			NUT ASM		4	271166					0752	76								2.8
0220AA			TUBE ASM		1	698252					0752	80			0000800085	M	M			2.10
0230AA			TUBE ASM		1	698251					0752	80			0000800090	M	M			2.12
0240AA			CLIP		3	1463219					0752	80			0000800095		M			2.14
0250AA			CLIP		3	1230996					0752	80			0000800100		M			2.16
0260AA			SPCR @ RAD SUPT		1	2436832					0752	80			0000800105		M			2.18
0270AA			BOLT 20x25 FT LB		1	9419032					0752	80								2.20
0280AA			WA LK		1	103320					0752	80								2.22
0281AA			NOTE: ABOVE FASTENERS ALSO ATTACH							A/C COND SR MTG BRKT & OIL LEVEL IND. TUBE.	0752	80								2.24
0290AA			SCREW		2	9422232					0752	80								2.26
0300AA			VALVE BRK COMB		1	1236004					0752	67			0000670020		M			2.28
0310AA			BRACKET VALVE		1	409494					0752	67			0000670025		M			2.30
0320AA			SER BRKT FRM		2	9422232					0752	67								2.32
0320AB			72 IN# MIN								0752	67								2.33
0330AA			BOLT VALVE		2	9419037					0752	67								2.35
0340AA			WASHER		2	9418304					0752	67								2.37
0350AA			NUT 8x12 FT#		2	9422275					0752	67								2.39
0400AA			TUBE VLV/UNION		1	718132					0752	67			0000670030		M			2.41

ZE06X00

MODEL YEAR 1978  
ORIGIN DATE 770727  
LAST CHG DATE  
LAST CHG CODE

MODEL APPLICATION  
BRAKE LINES HYDRAULIC  
UPC DESCRIPTION

70 5F A 2  
BK U. P. C. GRP PA

# PRODUCT DESCRIPTION MANUAL

## ASSEMBLY INFORMATION

MT 1081 REV. 8/78

ONE TRUCK & CRACK

ITEM	SEQ	P	M	TOP TOOL DESCRIPTION	ADD'L DATA	QTY	PART NUMBER	ENGINE CODES	SERIES	BOV BRK	ITEM RESTRICTION	DEPARTMENTS		CHANGE		LOGIC CODE	FUNCTION CODE	ADDITIONAL CODES	FNA	P/E NOS.
												#1	2/STA	CO	AUTH					
0405AA				UNION		1	442335					0752	67			0000670035				2.43
0410AA				CLIP		1	120520					0752	67			0000670040				2.45
0420AA				TUBE RH BRK		1	797709					0752	67			0000670045				2.47
0430AA				CLIP		5	1230969					0752	67			0000670050				2.49
0440AA				BRKT CLP FRM		2	2257785					0752	67			0000670055				2.51
0450AA				BOLT		3	9419004					0752	67							2.53
0460AA				WASHER		3	103319					0752	67							2.55
0470AA				NUT 95:120 IN#		3	9419912					0752	67							2.57
0480AA				SCREW		2	9422232					0752	67							2.59
0490AA				CLIP		1	1463219					0752	67			0000670060				3.2
0500AA				SPACE		2	3834560					0752	67			0000670065				3.4
0510AA				SCREW		2	9418901					0752	67							3.6
0600AA				TB RR @ VLV		1	693868					0752	78			0000780110				3.8
0610AA				TB RR INTER		1	660201		60			0752	78			0000780115				3.10
0610AB				TB RR INTER		1	668218		65			0752	78			0000780115				3.11
0620AA				UNION TP/TB		1	442336					0752	78			0000780120				3.13
0630AA				STRAP VAPOR LN		1	676543					0752	67			0000670070				3.15
0640AA				CLIP		4	1463219		60			0752	78			0000780125				3.17
0640AB				CLIP		5	1463219		65			0752	78							3.18
0650AA				SPACER		4	3834560		60			0752	78			0000780130				3.20
0650AB				SPACER		5	3834560		65			0752	78			0000780130				3.21
0660AA				BOLT		4	9419008		60			0752	78							3.23
0660AB				BOLT		5	9419008		65			0752	78							3.24
0670AA				WASHER		4	2436161		60			0752	78							3.26
0670AB				WASHER		5	2436161		65			0752	78							3.27
0680AA				NUT 60:90 IN#		4	9422273		60			0752	78							3.29
0680AB				NUT 60:90 IN#		5	9422273		65			0752	78							3.30

		ZE06X00	MODEL YEAR 1978
			ORIGIN DATE 770727
			LAST CHG. DATE
			LAST CHG. CODE
			70 5F A 3
			BK U. P. C. GMP DE

F.M.V.S.E.

REFERENCE

MODEL APPLICATION  
BRAKE LINES HYDRAULIC  
UPC DESCRIPTION

ITEM	QTY	PART OR TOOL DESCRIPTION	ADD'L DATA	QTY	PART NUMBER	ENGINE CODES	SERIES	BODY MARK	FILM RESTRICTION	DEPARTMENT #1	STANDARD	CHANGE UNIT	LOGIC CODE	FUNCTION CODE	ADDITIONAL CODES	QTY
0700AA	1	1B LH FRT HSE		1	791711					0752	78		0000700172			3.2
0710AA	1	1B INT RR BRK		1	793773					0752	78		0000700135			3.3
0720AA	1	UNION TBE/TBE		1	442336					0752	78		0000700140			3.4
0730AA	1	TEE ASM		1	350433					0752	78		0000700150			3.5
0740AA	2	BRACKET		2	790154					0752	78		0000700155			3.6
0750AA	4	BOLT		4	9437560					0752	78	61390				3.7
0760AA	4	WASHER		4	9418304					0752	78					3.8
0770AA	4	WASHER		4	103320					0752	78					3.9
0780AA	4	NUT 95:145 IN LB		4	9417954					0752	78					3.4
0790AA	1	CLIP		1	1463219					0752	78		0000700160			3.5
0800AA	2	SCREW		2	9422232					0752	78					3.6
0810AA	*	COMPOUND		*	9985115					0752	78					3.7
0820AA	1	TUBE ASM		1	794154					0752	78		0000700165			3.8
0830AA	1	TUBE ASM		1	794154					0752	78		0000700170			3.9
0840AA	1	CLIP		1	1463219					0752	78		0000700175			4.1
0850AA	1	PLT		1	9419032					0752	78					4.3
0860AA	1	SPACER		1	3834560					0752	78		0000700180			4.5
0870AA	1	WASHER		1	9418304					0752	78					4.4
0880AA	1	WASHER		1	103320					0752	78					4.7
0890AA	1	NUT 95:145 IN LB		1	9417954					0752	78					4.1
0900AA	1	CLIP		1	1230998					0752	78		0000700185			4.1

7E06X00

MODEL APPLICATION  
BRAKE LINES HYDRAULIC  
UPC DESCRIPTION

MODEL YEAR 1976  
ORIGIN DATE 170127  
LAST CHG DATE 111008  
LAST CHG CODE 61390  
70 5F A 4  
BR U P C PAGE

REFERENCE





ASSEMBLY INFORMATION

QTY	PART OR TOOL DESCRIPTION	ADD'L DATA	PART NUMBER	ENGINE CODES	SECT	BODY	ITEM RESTRICTION	PREPAREMENTS		CHARGE	LOGIC CODE	FUNCTION CODE	ADDITIONAL CODES	REF
								PT	22/A					
	J BRK LINES		16610					0782						1.3
	BRAKE CONTROL		13337					0782						1.1
	HEAD ASM PWR		116002719					0782	52		0000620170			1.1
	NOI HEAD ASM		9437756					0782	52	01290				1.3
	WALK		103321					0782	42					1.2
	WASHER		9421042					0782	42					1.2
	GASKET PWR HD		9791640					0782	42		0000620175			1.2
	HOSE ENG VAC		724548					0782	42		0000420170			1.2
	CLAMP VAC HSE		2468869					0782	42		0000620175			1.2
	CLIP VAC HSE		2301878					0712	50		0000500050			1.3
	SCR VAC HS CLIP		431915					0782	50					1.2
	WASHER		111015					0782	50					1.3
	COIN LINE/CARB		55214					0782	50		0000500050			1.3

M.V.S.S.	REFERENCE	2E06X00	MODEL YEAR 1970
		MODEL APPLICATION POWER BRAKE MECHANISM/HYD & VAC	ORIGIN DATE 770727 LAST CHG DATE 771008 LAST CHG CODE 01290
		UPC DESCRIPTION	70 56 A 1 BR U P C GM PAGE



ITEM	E G	PART OR TOOL DESCRIPTION	ADD'L DATA	Q T Y	PART NUMBER	M O D	ENGINE CODES	SERIES	BOX BRK	ITEM RESTRICTION	DEPARTMENTS		CHANGE		LOGIC CODE	FUNCTION CODE	ADDITIONAL CODES	LINE NOS	
											#1	2/STA	CD	AUTH					
		MVSS EMISSION CONTROL			CAT. 2														1.8
		DUE CARE MUST BE EXERCISED WHEN INSTALLING EMISSION CONTROL EQUIPMENT AND/OR RELATED DEVICES TO ENGINE SO THAT COMPLETED VEHICLE CAN BE CERTIFIED AS BEING IN CONFORMITY WITH FEDERAL REGULATIONS IMPLEMENTING THE CLEAN AIR ACT. LISTED BELOW ARE THE COMPONENTS AFFECTING EMISSIONS PERFORMANCE OF ENGINES.																	1.10
		VACUUM HOSES AND CLAMPS																	1.11
		POSITIVE CRANKCASE VENTILATION SYSTEM																	1.12
		VENTILATION VALVE																	1.13
		VENTILATION AIR INLET HOSE																	1.14
		CRANKCASE BREATHER																	1.15
		CARBURETOR																	1.20
		CHOKER																	1.21
		A.I.R. SYSTEM																	1.22
		AIR PUMP																	1.23
		AIR PUMP PULLEY																	1.24
		AIR PUMP SUPPORT BRACKET																	1.25
		AIR PUMP DRIVE BELT																	1.26
		DIVERTER VALVE																	1.27
		VACUUM SWITCH VALVE																	1.28
		CHECK VALVE																	1.29
		AIR DISTRIBUTION MANIFOLD																	1.30
		AIR INJECTOR TUBES																	1.31
		DISTRIBUTION HOSES																	1.32
		DISTRIBUTION HOSE TEE																	1.33
		EXHAUST MANIFOLD																	1.34
		VALVES, ENGINE																	1.35
		DISTRIBUTOR ASSEMBLY																	1.36
		SPARK CONTROL SYSTEM																	1.37
		SPARK PLUGS																	1.38
		AIR CLEANER SYSTEM																	1.39
		SPARK PLUG WIRING																	1.40
		TRANSMISSION CONTROL THROTTLE ADVANCE SYSTEM																	1.41
		CLAMPS - FUEL AND VENT CONNECTING HOSES.																	1.42
		HOSES - EVAPORATIVE CONTROL SYSTEM																	1.43
		EXHAUST GAS RECIRCULATION SYSTEM																	1.44
		EGR VALVE																	1.45
		INTAKE MANIFOLD																	1.46
		CANISTER (CARBON)																	1.47
		PROCESS DOCUMENTATION:																	1.51
		THIS PROCESS UTILIZES STANDARD TOOLS AND EQUIPMENT OF WHICH THE CAPABILITIES ARE WELL ESTABLISHED.																	1.52
		APPROVED BY:	<i>James E. Long</i>															1.54	
		DATE:	9/1/77															1.56	

1	FEDERAL CLEAN	1977 POM	ZE05XXX	MODEL YEAR 1978
2	AIR ACT			ORIGIN DATE
3	CAT. 2			LAST CHG. DATE
4	EMISSION			LAST CHG. CODE
5	CONTROL			70 6 1
F.M.V.S.S.	REFERENCE		MODEL APPLICATION ENGINE (EMISSION CONTROL)	BE U. P. C. PAGE





ITEM	SECTION	PART OR TOOL DESCRIPTION	ADD'L DATA	QTY	PART NUMBER	ENGINE CODES	SERIES	BOX BRK	ITEM RESTRICTION	DEPARTMENTS		CHANGE		LOGIC CODE	FUNCTION CODE	ADDITIONAL CODES	LINE NOS.
										#1	2/STA	CD	AUTH				
		AVSS STD. UPC 6K1 CAT. 3 (FAN AND DRIVE)															1.0
		DUE CARE MUST BE EXERCISED IN THE SUB ASSEMBLY OF FAN BLADE AND FAN CLUTCH ASM. TO THE ENGINE. SPECIFIED TORQUE OF HOLD DOWN STOCK MUST BE MAINTAINED SO THAT FAN WILL NOT BECOME LOOSE OR VIBRATE.															1.11
		NOTE: THE RADIATOR FAN SHROUD MUST BE SO LOCATED THAT THE DISTANCE BETWEEN TIP OF FAN BLADE AND RING IS UNIFORM. CARE MUST BE TAKEN THAT FAN BLADE DOES NOT STRIKE FAN SHROUD.															1.12
		PROCESS DOCUMENTATION															1.48
		THIS PROCESS UTILIZES STANDARD TOOLS AND EQUIPMENT OF WHICH THE CAPABILITIES ARE WELL ESTABLISHED.															1.49
		APPROVED BY:	<i>James E. Rugh</i>														1.51
		DATE:	10/12/77														1.53
		UPC 6 CAT. 3 FAN & DRIVE	AVSS STD.														ZEUSXXX
																	MODEL YEAR 1978 ORIGIN DATE 10-10-77 LAST CHG DATE LAST CHG CODE 70 6 52 1 BK U. P. C. C PAGE
																	MODEL APPLICATION ENGINE (FAN & DRIVE) UPC DESCRIPTION





GMT 922 8/74

UPC 6N2 THROT. CONT. ACCEL. PED. OPER.

Sht. #:	Title
1	Accel. Throt. & Hand Choke
2	Throttle Control
3	Pedal
4	Accel. Cable
5	Down Shift Switch Adjustment
6	Accel. Cable Clip
7	Accel. Cable to Carb.

UPC 6N4 SPEED CONTROL

1	Transducer & Hoses RPO K30
2	Column Lever Valve & Hose RPO K30
3	Transducer & Hose Routing RPO K30
4	Power Unit & Linkage RPO K30

UPC 6Q POWER PLANT TO FRAME MOUNTING

1	Front & Rear Mounting
---	-----------------------

UPC 6T AIR COMPRESSOR

1	Air Compressor
---	----------------

UPC 6Y1 GEN. CURRENT & VOLTAGE REG.

1	Generator
2	Generator
3	Generator W/L04

UPC 6Y2 STARTING DEVICES

1	Starter & Starting Cable Routing
2	Cable - Starter to Magnetic Switch

UPC 6Y3 DISTRIBUTOR

1	Hose - Thermal Vacuum Switch to Carb. & Distr.
2	Hose - Thermal Vacuum Switch to Carb. & Distr. W/NB4

UPC 6Y4 IGNITION WIRING

1	Ignition Wiring		
2	Engine Ground & Magnetic Switch Asm.	6N2-7	(AUDIT) 6Y1-3
		6N4-4	6Y2-2
		6Q-1	6Y3-2
		6T-1	6Y4-2

BY/CHK (Installation) - LPS	DATE	SYN	REVISION	AUTH	DR	CR	DEPARTMENTS	78 TRUCK	BOOK 70
	7-19-37		ORIGINAL RELEASE	ALDO	RT		R. THOMPSON	INDEX	
								ENGINE	6

# PRODUCT DESCRIPTION MANUAL

## ASSEMBLY INFORMATION

GMT 1081 REV. 6/78

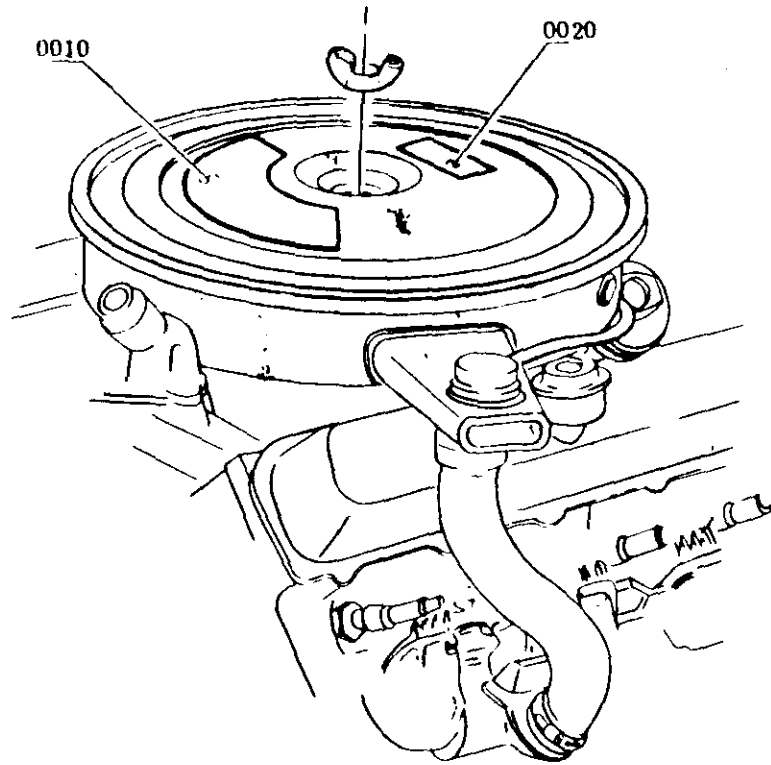
GMC TRUCK & COACH

ITEM	S E Q	P A R T	ART OR TOOL DESCRIPTION	ADD'L DATA	Q T Y	P A R T N O	ENGINE CODES	SERIES	BOY BANK	ITEM RESTRICTION	DEPARTMENTS		CHANGE		LOGIC CODE	FUNCTION CODE	ADDITIONAL CODES	FNA	LINE NOB.
											01	2/STA	CD	AUTH					
AAC14			ENG UPR INSTAL		*	18509					0752								1.8
0020AA			ENG 403 CID		1	561032				-NB4	0752	61			3916610050			M	1.17
0020AC			ENG 403 CID		1	561032				NB4	0752	61			3917610050			M	1.18

F.M.V.B.E.	REFERENCE	ZE06X00	MODEL YEAR 1978
		MODEL APPLICATION	ORIGIN DATE 770727
		ENGINE	LAST CHG. DATE
		UPC DESCRIPTION	LAST CHG. CODE
			70 6 A
			BK U. P. C. GMP 28



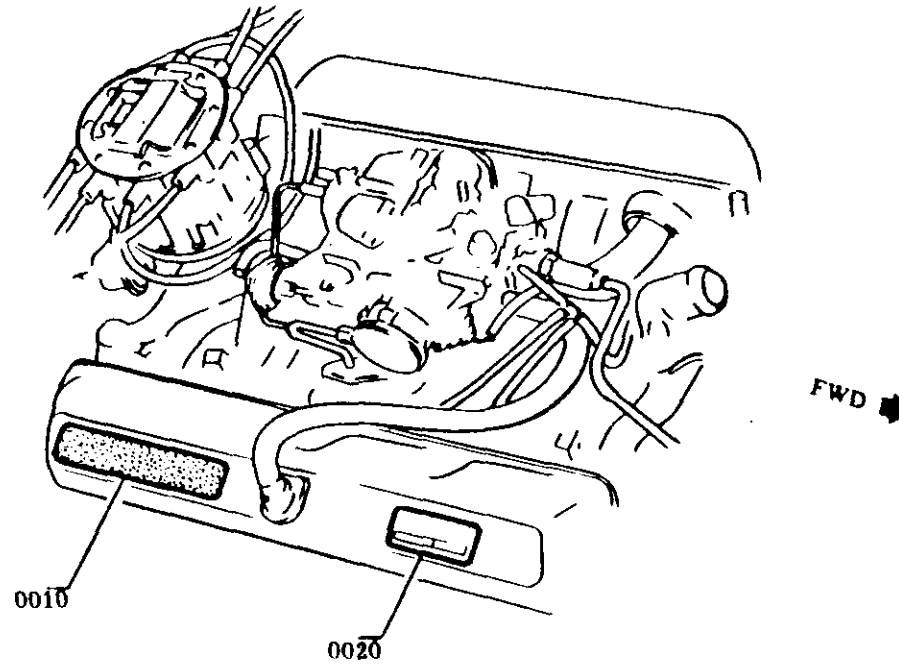
GMI 522 1/73



BY (Manufacturer) - LPS	BY (Inspector) - LPS	DATE	SYM	REVISION	AUTH	DR	EN	DEPARTMENTS	'78 TRUCK	BOOK 70
				CHANGE TO 35-10-10	4/20/73				TITLE	
				REVISION 2, 35-10-10, 11-10-73, 11-10-73, 11-10-73, 11-10-73					AIR CLEANER	
									NAME AIR CLEANER & SILENCER	DIVISION/PC
										68
										SHEET
										1

- ▲
- ▲
- ▲
- ▲
- ▲

GMT 922 8/74



DYNAMIC (Installation) - LBS	HARD (Inspection) - LBS	DATE	SYM	REVISION	AUTH	DR	EX	DEPARTMENTS	78 TRUCK	BOOK 70	
	△ △ △ △ △	6/577		ORIGINAL RELEASE	47000/PS				TITLE EMISSION CERTIFICATE LABEL		
									NAME ENG. IDENT LABELS & DECALS	DIVISION/LPC <b>6B</b>	SHEET <b>1</b>



# PRODUCT DESCRIPTION MANUAL

## ASSEMBLY INFORMATION

ITEM	PART OR TOOL DESCRIPTION	ADD'L DATA	QTY	PART NUMBER	ENGINE CODES	SERIES	REV	ITEM RESTRICTION	DEPARTMENTS		CHANGE		LOGIC CODE	FUNCTION CODE	ADDITION CODES	NA	LINE NOB
									#1	2/8TA	CD	AUTH					
0001AA	EMIS LABEL INST			L8204					0752								1.0
0020AA	EMIS CERT LABEL			2025165				-NB4	0752	62			3918620005				1.15
0020AC	EMIS CERT LABEL			2025164				NB4	0752	62			3917620005				1.16
0030AA	EMIS CONT LABEL			561114				-NB4	0752	62			3918620010				1.18
0030AC	EMIS CONT LABEL			561115				NB4	0752	62			3917620010				1.19

<p>2405000</p>		<p>MODEL YEAR 1978</p> <p>ORIGIN DATE 770727</p> <p>LAST CHG. DATE</p> <p>LAST CHG. CODE</p>
<p>MODEL APPLICATION</p> <p>ENGINE I.D. LABELS &amp; DECALS</p> <p>UPS DESCRIP</p>		<p>TO 68 A 1</p> <p>BY M.P. J</p> <p>OF 1088</p>





# PRODUCT DESCRIPTION MANUAL

## ASSEMBLY INFORMATION

GMT 1061 REV. 8/78

GMC TRUCK & COACH

ITEM	S E Q	P N	PART OR TOOL DESCRIPTION	ADD'L DATA	Q T Y	PART NUMBER	M O D	ENGINE CODES	SERIES	DOY BRK	ITEM RESTRICTION	DEPARTMENTS		CHANGE		LOGIC CODE	FUNCTION CODE	ADDITIONAL CODES	LINE NOS
												T1	2/STA	CD	AUTH				
AA11	1.1		405 ENG ALSRY		6	L8448						0782							1.8
AA21	1.2		INSTL									0782							1.9
AA40	1.1		405 ENG ACSRY		*	L8448						0752							1.11
AA41	1.2		INSTL									0752							1.12
CC10	AA		CAP ASM OIL FIL		1	409076						0782	45			0000450035			1.17
CC20	AA		TUBE ASM		1	701948						0782	45			0000450040			1.19
CC30	AA		BRKT TUBE MTG		1	701972						0782	45			0000450045			1.21
CC40	AA		RIVLT		2	700368						0782	45						1.23
CC50	AA		SCREW		2	9414721						0782	45						1.25
CC60	AA		BLEND OIL FIL		1	702202						0752	63			0000630135			1.27
CC70	AA		CLAMP ASM		1	2471945						0752	63			0000630140			1.29
CC80	AA		TUBE OIL FIL		1	702550						0752	63			0000630145			1.31
CC90	AA		CLAMP ASM		1	2486394						0752	63			0000630150			1.33
CC100	AA		BRACKET		1	653296						0752	68			0000680040			1.35
CC110	AA		SOLE BRKT		1	9418967						0752	68						1.37
CC120	AA		WA LK		1	103321						0752	68						1.39
CC130	AA		CLIP TUBE BRKT		1	427043						0752	66			0000680045			1.41
CC140	AA		SOLE CLIP BRKT		1	9417950						0752	68						1.43
CC150	AA		WA LK		1	103320						0752	68						1.45
CC160	AA		NUT		1	9417954						0752	66						1.47
CC170	AA		BLEND		1	702202						0752	63			0000630155			1.49
CC180	AA		CLAMP		1	2486394						0752	63			0000630160			1.51
CC190	AA		CLAMP		1	2471945						0752	63			0000630165			1.53

1 2 3 4 5 6 7 8 9 10 11 12 13 14 15 16 17 18 19 20 21 22 23 24 25 26 27 28 29 30 31 32 33 34 35 36 37 38 39 40 41 42 43 44 45 46 47 48 49 50 51 52 53 54 55 56 57 58 59 60 61 62 63 64 65 66 67 68 69 70 71 72 73 74 75 76 77 78 79 80 81 82 83 84 85 86 87 88 89 90 91 92 93 94 95 96 97 98 99 100	REFERENCE	ZE06X00  MODEL APPLICATION OIL FILLER UPC DESCRIPT	MODEL YEAR 1978 ORIGIN DATE 770727 LAST CHG. DATE 770927 LAST CHG. CODE 70 662 A 1 BK U. P. C. 27 PAGE
--	-----------	--	---





# PRODUCT DESCRIPTION MANUAL

## ASSEMBLY INFORMATION

GMT 1061 REV. 5/75

GM TRUCK & COACH

ITEM	S E G	P M R	PART OR TOOL DESCRIPTION	ADD'L DATA	Q T Y	P A R T N U M B E R	E N G I N E C O D E S	S E R I E S	B O Y B R K	I T E M R E S T R I C T I O N	D E P A R T M E N T S		C H A N G E		L O G I C C O D E	F U N C T I O N C O D E	A D D I T I O N A L C O D E S	P N A	L I N E N O S	
											#1	2/STA	CD	AUTH						
AA01014			403 ENG ACSRY		*	18448					0752									1.8
AA01024			INSTI								0752									1.9
0010AA			INDICATOR ASM		1	718401					0752	68			0000680050				M	1.19
0020AA			TUBE OIL LVL		1	718412					0752	68			0000680055				M	1.21
0030AA			CLIP OIL LVL		1	718402					0752	69			0000690070				M	1.23
0040AA			UNION OIL LVL		1	318477					0752	68			0000680060				M	1.25

F.M.V.S.S.	REFERENCE	ZE06X00	MODEL YEAR 1978
		MODEL APPLICATION OIL LEVEL INDICATOR	ORIGIN DATE 770727
		UFC DESCRIPTION	LAST CHG. DATE
			LAST CHG. CODE
			70 6G4 A 1
			BK U. P. C. QM ABS



ITEM	SEQ	PVS	ITEM OR TOOL DESCRIPTION	ADD'L DATA	QTY	PART NUMBER	ENGINE CODES	SERIES	BODY	ITEM DESCRIPTION	DEPARTMENTS		CHANGE		LOGIC CODE	FUNCTION CODE	ADDITIONAL CODES	FN.	LINE NOS.
											#1	2/STA	CD	AUTH					
AA01014			403 ENG ACSRY		*	LB448					0752								1.8
AA01024			INSTL								0752								1.9
AA02014			PIPE THD TEFLON		*	MD1903					0752								1.11
AA02024			TAPE								0752								1.12
DC10AA			TUBE FLTR TO RAD		1	719292					0752	61			0000610055			M	1.17
DC20AA			TUBE RAD TO FLTR		1	719293					0752	61			0000610060			M	1.19
DC30AA			SCR CLR TBE		2	9411890					0752	61							1.21
DC40AA			WA		2	9419892					0752	61							1.23
DC50AA			FITTING		2	2387408					0752	61			0000610065			M	1.25
DC60AA			GASKET ADAPT		1	6436950					0752	61			0000610070			M	1.27
DC70AA			ADAPTER		1	2015464					0752	61			0000610075			M	1.29
DC80AA			FITTING EXIT		1	692943					0752	61			0000610080			M	1.31
DC90AA			TAPE TEFLON		*	8860239					0752	61							1.33

F.M.V.S.S.	REFERENCE	ZE06X00	MODEL YEAR 1978
		MODEL APPLICATION OIL FILTER	ORIGIN DATE 770727
		UPC DESCRIPTION	LAST CHG. DATE
			LAST CHG. CODE
			70 665 A 1
			SK U. P. C. GMP I

# PRODUCT DESCRIPTION MANUAL

## ASSEMBLY INFORMATION

ITEM NO.	PART OR TOOL DESCRIPTION	ADD'L DATA	QTY	PART NUMBER	ENGINE CODES	SERIES	DOY BRK	ITEM RESTRICTION	DEPARTMENTS		CHANGE AUTH	LOGIC CODE	FUNCTION CODE	ADDITIONAL CODES	LINE NOS
									#1	2-STA					
240101	LUB CHAFI			MD10298					0752						1.8
0011AA	ENGINE OIL	SEP-FEB	*	8860620				SEPT THRU FEB	0752	74		0000740010			1.18
0012AA	ENGINE OIL	MAR-AUG	*	8860621				MAR THRU AUG	0752	74		0000740015			1.20

1 MVBS	REFERENCE	2E06X00	MODEL YEAR 1978
		MODEL APPLICATION	ORIGIN DATE 770727
		ENGINE OIL	LAST CHG. DATE 770927
		UPC DESCRIPTION	LAST CHG. CODE
			70 667 1
			BE M. P. S. PAGE







# PRODUCT DESCRIPTION MANUAL

## ASSEMBLY INFORMATION

GMT 1081 REV. 8/78



ITEM	QTY	PART OR TOOL DESCRIPTION	ADD'L DATA	QTY	PART NUMBER	ENGINE CODES	SERIES	DOY BRN	ITEM RESTRICTION	DEPARTMENTS		CHANGE		LOGIC CODE	FUNCTION CODE	ADDITIONAL CODES	LINE NOS	
										#1	2/STA	CD	AUTH					
AA01014	1	AIR COMP START			LR809					0752							99508	1.0
AA01024	1	MTP								0752								1.9
AA01014	1	ENG INSTL			LR448					0752							99515	1.11
0010AA	1	VALVE ASM			642492					0752	62			0000620025			M00200	1.14
0012AA	1	TEE,C-CASE WNT			406511			N84		0752	62			3917620365	M		00600	1.16
0020AA	1	GRMNET			416519					0752	62						03100	1.16
0030AA	1	PP VENT-A/CL			555764					0752	62			0000620030			M03200	1.20
0040AA	1	ELBOW			391095					0752	62			0000620035			M03300	1.22
0050AA	1	RUN			998505					0752	62						03400	1.24
0060AA	1	HOSE,VLV-CARB			392995			NA9		0752	62			037437005620040	M		03500	1.26
0062AA	1	HOSE,VLV-TEF			9432904			NA9		0752	62			037436909620350	M		03520	1.28
0064AA	1	HOSE,TEE-CARB			9432888			NA9		0752	62			037436909620355	M		03530	1.30
0066AA	2	CLAMP,PCV HS			3829058			NA9		0752	62			037436909620360	M		03540	1.32
0070AA	1	CLAMP			3829058					0752	62			0000620045			M03600	1.34
0080AA	1	FILTER ASM			557240					0752	62			0000620050			M03700	1.36

7E06X00

MODEL APPLICATION  
ENGINE VENTILATING SYSTEM

UPC DESCRIPTION

MODEL YEAR 1978  
ORIGIN DATE 770727  
LAST CHG DATE 770920  
LAST CHG CODE 743

70 6H A 1  
BK U.P.C. PAGE

FMVSS

REFERENCE



# PRODUCT DESCRIPTION MANUAL

## ASSEMBLY INFORMATION

DMT 1061 REV. 5/78

ENGINE TRUCK & CRACK

ITEM	PART OR TOOL DESCRIPTION	ADD'L DATA	QTY	PART NUMBER	ENGINE CODES	SERIES	REV	ITEM RESTRICTION	DEPARTMENTS		CHANGE		LOGIC CODE	FUNCTION CODE	ADDITIONAL CODES	FNA	LINE NOS
									#1	2/STA	CD	AUTH					
A401014	403 ENG ACSRY			L8679					0752								1.8
A401024	INSL								0752								1.9
A402014	145 AMP GEN			L9257					0752								1.11
0010AA	BLADE ASM FAN		1	407999					0752	62			0000620395				1.11
0020AA	PULLEY CR/SHF		1	409806				-L04	0752	62			0448620400				1.19
0020AB	PULLEY CR/SHF		1	2025925				L04	0752	62			0425620400	M			1.20
0030AA	BOLT PUL TO C/SH		4	9424877					0752	64							1.22
0040AA	PULLEY ASM FAN		1	409807				-L04	0752	64			0448640010				1.24
0040AB	PULLEY ASM FAN		1	2025924				L04	0752	64			0425640010	M			1.25
0050AA	BELT ASM		1	9433640					0752	64			0000640015				1.27
0060AA	CLUTCH ASM FAN		1	724457					0752	64			0000640020				1.29
0070AA	BOLT 15:20 FT LB		4	9417950					0752	62							1.31
0080AA	WA LK		4	103320					0752	64							1.33
0090AA	STUD		4	402720					0752	64							1.35
0100AA	NUT		4	9417954					0752	64							1.37
0100AB	120:180 IN LBS								0752	64							1.38

1 2 3 4 5		7E06X00	
# 4 V 3 8	REFERENCE	MODEL APPLICATION FAN & DRIVE UPC DESCRIPTION	MODEL YEAR IS 78 ORIGIN DATE 770727 LAST CHG DATE 770929 LAST CHG CODE 70 6K1 1 BK U P C PAGE



# PRODUCT DESCRIPTION MANUAL

## ASSEMBLY INFORMATION

GMT 1061 REV. 9/78

GENE TRUCK & COACH

ITEM	PART OR TOOL DESCRIPTION	ADD'L DATA	QTY	PART NUMBER	ENGINE CODES	SERIES	BODY BRN	ITEM RESTRICTION	DEPARTMENTS		CHANGE		LOGIC CODE	FUNCTION CODE	ADDITIONAL CODES	FNA	LINE NOS
									BT	2/STA	CO	AUTH					
AA0101	COOLING SYSTEM			LB450					0752								1.0
0010AA	HOSE RAD INL		1	2015466					0752	62			0000620405				1.16
0020AA	CLAMP RAD		2	9411656					0752	62			0000620410				1.18
0040AA	HOSE RAD OUT		1	2015465					0752	62			0000620415				1.20
0050AA	CLAMP RAD OUT		1	274765					0752	62			0000620420				1.22
0050AB	15120 IN LBS								0752	62							1.23
0060AA	CLAMP RAD OUT		1	274765					0752	69			0000690095				1.25
0060AB	15120 IN LBS								0752	69							1.26

1 2 3 4 5 6 7 8 9 10 11 12 13 14 15 16 17 18 19 20 21 22 23 24 25 26 27 28 29 30 31 32 33 34 35 36 37 38 39 40 41 42 43 44 45 46 47 48 49 50 51 52 53 54 55 56 57 58 59 60 61 62 63 64 65 66 67 68 69 70 71 72 73 74 75 76 77 78 79 80 81 82 83 84 85 86 87 88 89 90 91 92 93 94 95 96 97 98 99 100 101 102 103 104 105 106 107 108 109 110 111 112 113 114 115 116 117 118 119 120 121 122 123 124 125 126 127 128 129 130 131 132 133 134 135 136 137 138 139 140 141 142 143 144 145 146 147 148 149 150 151 152 153 154 155 156 157 158 159 160 161 162 163 164 165 166 167 168 169 170 171 172 173 174 175 176 177 178 179 180 181 182 183 184 185 186 187 188 189 190 191 192 193 194 195 196 197 198 199 200 201 202 203 204 205 206 207 208 209 210 211 212 213 214 215 216 217 218 219 220 221 222 223 224 225 226 227 228 229 230 231 232 233 234 235 236 237 238 239 240 241 242 243 244 245 246 247 248 249 250 251 252 253 254 255 256 257 258 259 260 261 262 263 264 265 266 267 268 269 270 271 272 273 274 275 276 277 278 279 280 281 282 283 284 285 286 287 288 289 290 291 292 293 294 295 296 297 298 299 300 301 302 303 304 305 306 307 308 309 310 311 312 313 314 315 316 317 318 319 320 321 322 323 324 325 326 327 328 329 330 331 332 333 334 335 336 337 338 339 340 341 342 343 344 345 346 347 348 349 350 351 352 353 354 355 356 357 358 359 360 361 362 363 364 365 366 367 368 369 370 371 372 373 374 375 376 377 378 379 380 381 382 383 384 385 386 387 388 389 390 391 392 393 394 395 396 397 398 399 400 401 402 403 404 405 406 407 408 409 410 411 412 413 414 415 416 417 418 419 420 421 422 423 424 425 426 427 428 429 430 431 432 433 434 435 436 437 438 439 440 441 442 443 444 445 446 447 448 449 450 451 452 453 454 455 456 457 458 459 460 461 462 463 464 465 466 467 468 469 470 471 472 473 474 475 476 477 478 479 480 481 482 483 484 485 486 487 488 489 490 491 492 493 494 495 496 497 498 499 500 501 502 503 504 505 506 507 508 509 510 511 512 513 514 515 516 517 518 519 520 521 522 523 524 525 526 527 528 529 530 531 532 533 534 535 536 537 538 539 540 541 542 543 544 545 546 547 548 549 550 551 552 553 554 555 556 557 558 559 560 561 562 563 564 565 566 567 568 569 570 571 572 573 574 575 576 577 578 579 580 581 582 583 584 585 586 587 588 589 590 591 592 593 594 595 596 597 598 599 600 601 602 603 604 605 606 607 608 609 610 611 612 613 614 615 616 617 618 619 620 621 622 623 624 625 626 627 628 629 630 631 632 633 634 635 636 637 638 639 640 641 642 643 644 645 646 647 648 649 650 651 652 653 654 655 656 657 658 659 660 661 662 663 664 665 666 667 668 669 670 671 672 673 674 675 676 677 678 679 680 681 682 683 684 685 686 687 688 689 690 691 692 693 694 695 696 697 698 699 700 701 702 703 704 705 706 707 708 709 710 711 712 713 714 715 716 717 718 719 720 721 722 723 724 725 726 727 728 729 730 731 732 733 734 735 736 737 738 739 740 741 742 743 744 745 746 747 748 749 750 751 752 753 754 755 756 757 758 759 760 761 762 763 764 765 766 767 768 769 770 771 772 773 774 775 776 777 778 779 780 781 782 783 784 785 786 787 788 789 790 791 792 793 794 795 796 797 798 799 800 801 802 803 804 805 806 807 808 809 810 811 812 813 814 815 816 817 818 819 820 821 822 823 824 825 826 827 828 829 830 831 832 833 834 835 836 837 838 839 840 841 842 843 844 845 846 847 848 849 850 851 852 853 854 855 856 857 858 859 860 861 862 863 864 865 866 867 868 869 870 871 872 873 874 875 876 877 878 879 880 881 882 883 884 885 886 887 888 889 890 891 892 893 894 895 896 897 898 899 900 901 902 903 904 905 906 907 908 909 910 911 912 913 914 915 916 917 918 919 920 921 922 923 924 925 926 927 928 929 930 931 932 933 934 935 936 937 938 939 940 941 942 943 944 945 946 947 948 949 950 951 952 953 954 955 956 957 958 959 960 961 962 963 964 965 966 967 968 969 970 971 972 973 974 975 976 977 978 979 980 981 982 983 984 985 986 987 988 989 990 991 992 993 994 995 996 997 998 999 1000 1001 1002 1003 1004 1005 1006 1007 1008 1009 1010 1011 1012 1013 1014 1015 1016 1017 1018 1019 1020 1021 1022 1023 1024 1025 1026 1027 1028 1029 1030 1031 1032 1033 1034 1035 1036 1037 1038 1039 1040 1041 1042 1043 1044 1045 1046 1047 1048 1049 1050 1051 1052 1053 1054 1055 1056 1057 1058 1059 1060 1061 1062 1063 1064 1065 1066 1067 1068 1069 1070 1071 1072 1073 1074 1075 1076 1077 1078 1079 1080 1081 1082 1083 1084 1085 1086 1087 1088 1089 1090 1091 1092 1093 1094 1095 1096 1097 1098 1099 1100 1101 1102 1103 1104 1105 1106 1107 1108 1109 1110 1111 1112 1113 1114 1115 1116 1117 1118 1119 1120 1121 1122 1123 1124 1125 1126 1127 1128 1129 1130 1131 1132 1133 1134 1135 1136 1137 1138 1139 1140 1141 1142 1143 1144 1145 1146 1147 1148 1149 1150 1151 1152 1153 1154 1155 1156 1157 1158 1159 1160 1161 1162 1163 1164 1165 1166 1167 1168 1169 1170 1171 1172 1173 1174 1175 1176 1177 1178 1179 1180 1181 1182 1183 1184 1185 1186 1187 1188 1189 1190 1191 1192 1193 1194 1195 1196 1197 1198 1199 1200 1201 1202 1203 1204 1205 1206 1207 1208 1209 1210 1211 1212 1213 1214 1215 1216 1217 1218 1219 1220 1221 1222 1223 1224 1225 1226 1227 1228 1229 1230 1231 1232 1233 1234 1235 1236 1237 1238 1239 1240 1241 1242 1243 1244 1245 1246 1247 1248 1249 1250 1251 1252 1253 1254 1255 1256 1257 1258 1259 1260 1261 1262 1263 1264 1265 1266 1267 1268 1269 1270 1271 1272 1273 1274 1275 1276 1277 1278 1279 1280 1281 1282 1283 1284 1285 1286 1287 1288 1289 1290 1291 1292 1293 1294 1295 1296 1297 1298 1299 1300 1301 1302 1303 1304 1305 1306 1307 1308 1309 1310 1311 1312 1313 1314 1315 1316 1317 1318 1319 1320 1321 1322 1323 1324 1325 1326 1327 1328 1329 1330 1331 1332 1333 1334 1335 1336 1337 1338 1339 1340 1341 1342 1343 1344 1345 1346 1347 1348 1349 1350 1351 1352 1353 1354 1355 1356 1357 1358 1359 1360 1361 1362 1363 1364 1365 1366 1367 1368 1369 1370 1371 1372 1373 1374 1375 1376 1377 1378 1379 1380 1381 1382 1383 1384 1385 1386 1387 1388 1389 1390 1391 1392 1393 1394 1395 1396 1397 1398 1399 1400 1401 1402 1403 1404 1405 1406 1407 1408 1409 1410 1411 1412 1413 1414 1415 1416 1417 1418 1419 1420 1421 1422 1423 1424 1425 1426 1427 1428 1429 1430 1431 1432 1433 1434 1435 1436 1437 1438 1439 1440 1441 1442 1443 1444 1445 1446 1447 1448 1449 1450 1451 1452 1453 1454 1455 1456 1457 1458 1459 1460 1461 1462 1463 1464 1465 1466 1467 1468 1469 1470 1471 1472 1473 1474 1475 1476 1477 1478 1479 1480 1481 1482 1483 1484 1485 1486 1487 1488 1489 1490 1491 1492 1493 1494 1495 1496 1497 1498 1499 1500 1501 1502 1503 1504 1505 1506 1507 1508 1509 1510 1511 1512 1513 1514 1515 1516 1517 1518 1519 1520 1521 1522 1523 1524 1525 1526 1527 1528 1529 1530 1531 1532 1533 1534 1535 1536 1537 1538 1539 1540 1541 1542 1543 1544 1545 1546 1547 1548 1549 1550 1551 1552 1553 1554 1555 1556 1557 1558 1559 1560 1561 1562 1563 1564 1565 1566 1567 1568 1569 1570 1571 1572 1573 1574 1575 1576 1577 1578 1579 1580 1581 1582 1583 1584 1585 1586 1587 1588 1589 1590 1591 1592 1593 1594 1595 1596 1597 1598 1599 1600 1601 1602 1603 1604 1605 1606 1607 1608 1609 1610 1611 1612 1613 1614 1615 1616 1617 1618 1619 1620 1621 1622 1623 1624 1625 1626 1627 1628 1629 1630 1631 1632 1633 1634 1635 1636 1637 1638 1639 1640 1641 1642 1643 1644 1645 1646 1647 1648 1649 1650 1651 1652 1653 1654 1655 1656 1657 1658 1659 1660 1661 1662 1663 1664 1665 1666 1667 1668 1669 1670 1671 1672 1673 1674 1675 1676 1677 1678 1679 1680 1681 1682 1683 1684 1685 1686 1687 1688 1689 1690 1691 1692 1693 1694 1695 1696 1697 1698 1699 1700 1701 1702 1703 1704 1705 1706 1707 1708 1709 1710 1711 1712 1713 1714 1715 1716 1717 1718 1719 1720 1721 1722 1723 1724 1725 1726 1727 1728 1729 1730 1731 1732 1733 1734 1735 1736 1737 1738 1739 1740 1741 1742 1743 1744 1745 1746 1747 1748 1749 1750 1751 1752 1753 1754 1755 1756 1757 1758 1759 1760 1761 1762 1763 1764 1765 1766 1767 1768 1769 1770 1771 1772 1773 1774 1775 1776 1777 1778 1779 1780 1781 1782 1783 1784 1785 1786 1787 1788 1789 1790 1791 1792 1793 1794 1795 1796 1797 1798 1799 1800 1801 1802 1803 1804 1805 1806 1807 1808 1809 1810 1811 1812 1813 1814 1815 1816 1817 1818 1819 1820 1821 1822 1823 1824 1825 1826 1827 1828 1829 1830 1831 1832 1833 1834 1835 1836 1837 1838 1839 1840 1841 1842 1843 1844 1845 1846 1847 1848 1849 1850 1851 1852 1853 1854 1855 1856 1857 1858 1859 1860 1861 1862 1863 1864 1865 1866 1867 1868 1869 1870 1871 1872 1873 1874 1875 1876 1877 1878 1879 1880 1881 1882 1883 1884 1885 1886 1887 1888 1889 1890 1891 1892 1893 1894 1895 1896 1897 1898 1899 1900 1901 1902 1903 1904 1905 1906 1907 1908 1909 1910 1911 1912 1913 1914 1915 1916 1917 1918 1919 1920 1921 1922 1923 1924 1925 1926 1927 1928 1929 1930 1931 1932 1933 1934 1935 1936 1937 1938 1939 1940 1941 1942 1943 1944 1945 1946 1947 1948 1949 1950 1951 1952 1953 1954 1955 1956 1957 1958 1959 1960 1961 1962 1963 1964 1965 1966 1967 1968 1969 1970 1971 1972 1973 1974 1975 1976 1977 1978 1979 1980 1981 1982 1983 1984
---

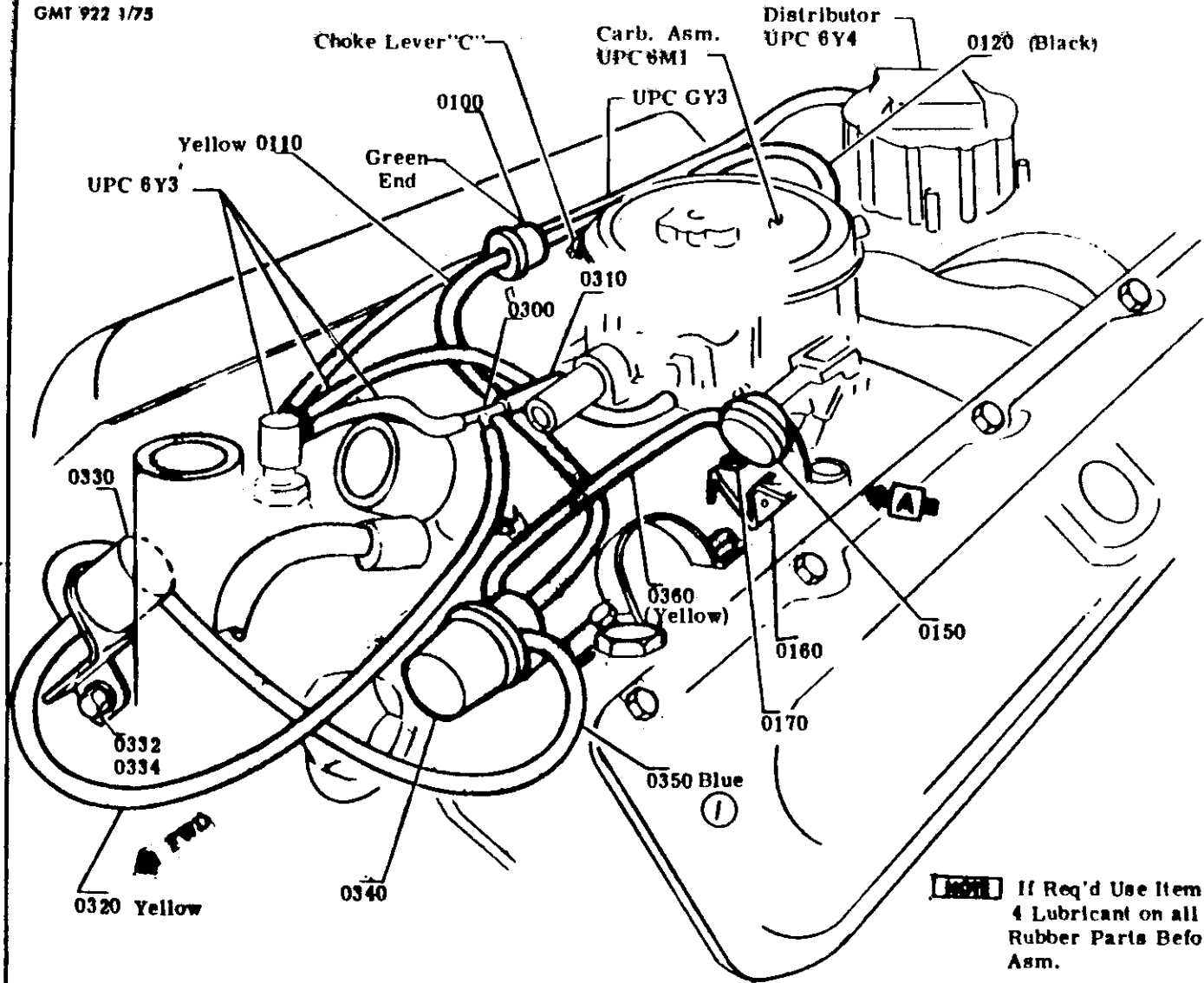




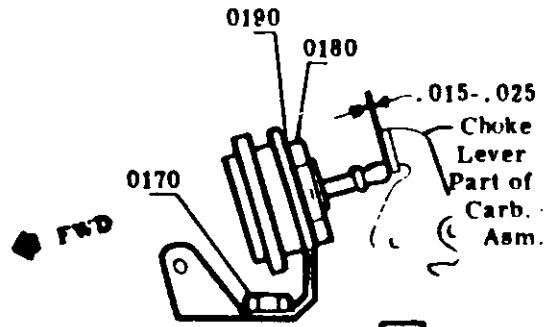


□ ITEM REFERENCE    ◇ PROCESS MATERIAL    △ TORQUE    ▣ PART OF OR EXISTING

GMT 922 1/73



**NOTE** Min. of One Tab of Item 0190 Washer to be Bent Up Against Side of Item 0180 Nut After Torq.



**VIEW A**  
**Throttle Pusher Adjustment**  
 1. Depress Choke Lever "C"  
 2. Set Throttle Pusher Shaft .015-.025 Clear With Carburetor Lever Pad

**NOTE** If Req'd Use Item 4 Lubricant on all Rubber Parts Before Asm.

PMAC (Installation) - LBS	RAM (Inspection) - LBS	DATE	SYM	REVISION	AMTR	DI	CE	DEPARTMENTS
△		6-15-77		ORIGINAL RELEASE	17000	22		THOMPSON
△		8-8-77	1	COIL REVD FOR LAYOUT 48508		6508		SMITH
△								
△								
△								

<b>'73 TRUCK</b>		<b>BOOK 70</b>
TITLE <b>ENGINE EMISSION SYSTEM</b>		
NAME <b>CARBURETOR</b>	DIVISION/PC <b>6M1</b>	SHEET <b>2</b>

# PRODUCT DESCRIPTION MANUAL

## ASSEMBLY INFORMATION

OMT 1001 REV. 8/78

ENGINE & ENGINE

ITEM	QTY	PART OR TOOL DESCRIPTION	ADD'L DATA	QTY	PART NUMBER	ENGINE CODES	SERIES	REV	ITEM RESTRICTION	DEPARTMENTS		CHANGE CD	AUTH	LOGIC CODE	FUNCTION CODE	ADDITIONAL CODES	FNA	LINE NOB
										1	2/STA							
AA0101	1	ENG UPR INSTL		1	L8509					0752								1.8
AA0201	1	ENG UPR INSTL		1	L91P2				NB4	0752								1.10
0010AA	1	CARBURETOR ASM		1	117058254				-NB4	0752	62			3918	620055		M	1.21
0010AC	1	CARBURETOR ASM		1	117058559				NB4	0752	62			3918	620059		M	1.22
0020AA	1	GASKET CARB		1	419047					0752	62			0000	620060		M	1.24
0030AA	2	BOLT CARB FRY		2	9432450					0752	62							1.26
0040AA	2	BOLT CARB RR		2	9419032					0752	62							1.26
0050AA	2	WASHER		2	103320					0752	62							1.30
0060AA	1	PIPE HOY AIR		1	406220					0752	62	2573		10000	620065		M	1.32
0070AA	1	PIPE CLEAN AIR		1	419302					0752	62			0000	620070		M	1.34
0080AA	1	MS CLN/A-CARB		1	393722					0752	62			0000	620075		M	1.36
0100AA	1	VALVE RELAY		1	495279					0752	62			0000	620080		M	1.38
0110AA	1	HOSE VLV/CONT		1	416443					0752	62			0000	620085		M	1.40
0120AA	1	HOSE VLV VENT		1	9433275					0752	62			0000	620090		M	1.42
0150AA	1	PUSHER ASM		1	2017545					0752	62			0000	620095		M	1.44
0160AA	1	BRKT MYG		1	2016420					0752	62			0000	620100		M	1.46
0170AA	2	BOLT MYG BRKT		2	9419683					0752	62							1.48
0170AB	1	20:25 FY#		1						0752	62							1.49
0180AA	1	NUT 15:20 FY#		1	7042654					0752	62							1.51
0190AA	1	WASHER		1	7042653					0752	62							1.53

F.M.V.

REFERENCE

ZE06X00

MODEL APPLICATION  
CARBURET  
UPC DESCRIP

MODEL YEAR 1978  
ORIGIN DATE 770727  
LAST CHG. DATE  
LAST CHG. CODE  
70 6M A 1  
BK. V. P. G. 4RP PAGE

PRODUCT DESCRIPTION MANUAL  
ASSEMBLY INFORMATION

ITEM	PART OR TOOL DESCRIPTION	ADD'L DATA	QTY	PART NUMBER	ENGINE CODES	SERIES	REV	ITEM RESTRICTION	DEPARTMENTS		CHANGE		LOGIC CODE	FUNCTION CODE	ADDITIONAL CODES	FNA	LINE NOS.
									#1	#2/STA	CD	AUTH					
0300AA	TEE CARB VAC			406026					0752	62			0000	620105			1.55
0310AA	HOSE TEF/CARB			419801					0752	62			0000	620110			1.57
0320AA	HOSE SOL/CARB			416443					0752	62			0000	620115			1.59
0330AA	VALVE ASM SOL			1997460					0752	62			0000	620120			2.2
0332AA	BOLT, SOL MT			9418967					0752	62	2573						2.4
0334AA	WA, SOL MT			103321					0752	62	2573						2.6
0340AA	VLV PUSHER CONT			559803					0752	62			0000	620125			2.8
0350AA	HSE SOL/PUSH VLV			417593					0752	62	2573	0000	620130				2.10
0360AA	HSE PUSH/CARB			419700					0752	62			0000	620135			2.12

P.M.V.

REFERENCE

7E06X00

MODEL APPLICATION  
CARBURETOR  
UPC DESCRIP

MODEL YEAR IS 78  
ORIGIN DATE 770727  
LAST CHG. DATE  
LAST CHG. CODE  
70 6M A 2  
BK V. P. 100 PAGE



# PRODUCT DESCRIPTION MANUAL

## ASSEMBLY INFORMATION

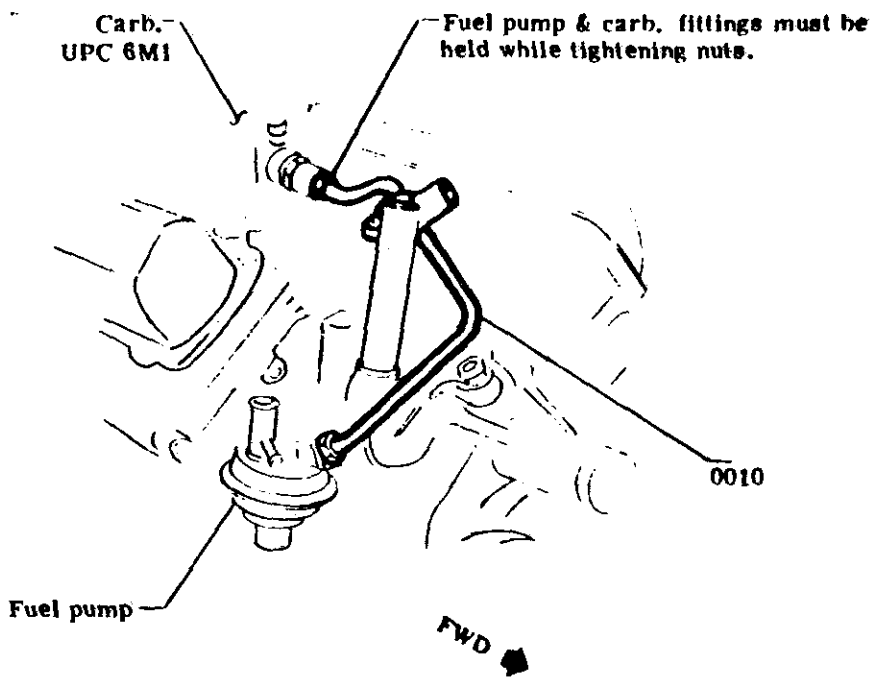
GMT 1001 REV. 6/78

GMC TRUCK & COACH

ITEM	PART OR TOOL DESCRIPTION	ADD'L DATA	QTY	PART NUMBER	ENGINE CODES	SERIES	REV	ITEM RESTRICTION	DEPARTMENTS		CHANGE		LOGIC CODE	FUNCTION CODE	ADDITIONAL CODES	FNA	LINE NOS
									1	2/STA	CD	AUTH					
A001004	A7CL INSTL			L8449					0752								1.8
A002014	403 ENG ACSRY								0752								1.10
A002024	INSTL			L8448					0752								1.11
001000	A7CL ASM		1	8995915					0752	69			0000690205				1.21
002000	GASKET		1	3969843					0752	69			0000690210				1.23
003000	STUD CARB A7CL		1	555699					0752	69							1.25
004000	NUT WING		1	148312					0752	69							1.27
004000	15:20 IN LBS								0752	69							1.28
005000	PP A7CL HOT AIR		1	550394					0752	69			0000690215				1.30
006000	CLAMP		1	3817244					0752	69			0000690220				1.32

1 2 3 4 5 6		ZE06X00	
REFERENCE	MODEL APPLICATION AIR CLEANER & SILENCER	UPC DESCRIPTION	MODEL YEAR 1978 ORIGIN DATE 770727 LAST CHG DATE 770929 LAST CHG CODE 70 6M3 BK V. P. C.
PAGE	1	PAGE	1

GMT 175



**NOTE** Blow out main fuel line just prior to installation with filtered air using a minimum of 25 PSI air pressure to insure removal of any foreign matter.

BY/CHK (Installation) - LPS	DATE	SYM	REVISION	AMT	DR	CR	DEPARTMENTS	TRUCK	BOOK	
<input type="checkbox"/> <input type="checkbox"/> <input type="checkbox"/> <input type="checkbox"/> <input type="checkbox"/>	6-27-77		ORIGINAL RELEASE	17000			TRUCK	70		
<b>TITLE</b> TUBE-CARB. TO FUEL PUMP								<b>FUEL &amp; VACUUM PUMP</b>	DIVISION/UPC <b>6M4</b>	SHEET <b>1</b>

# PRODUCT DESCRIPTION MANUAL

## ASSEMBLY INFORMATION

GM7 1981 REV. 8/78



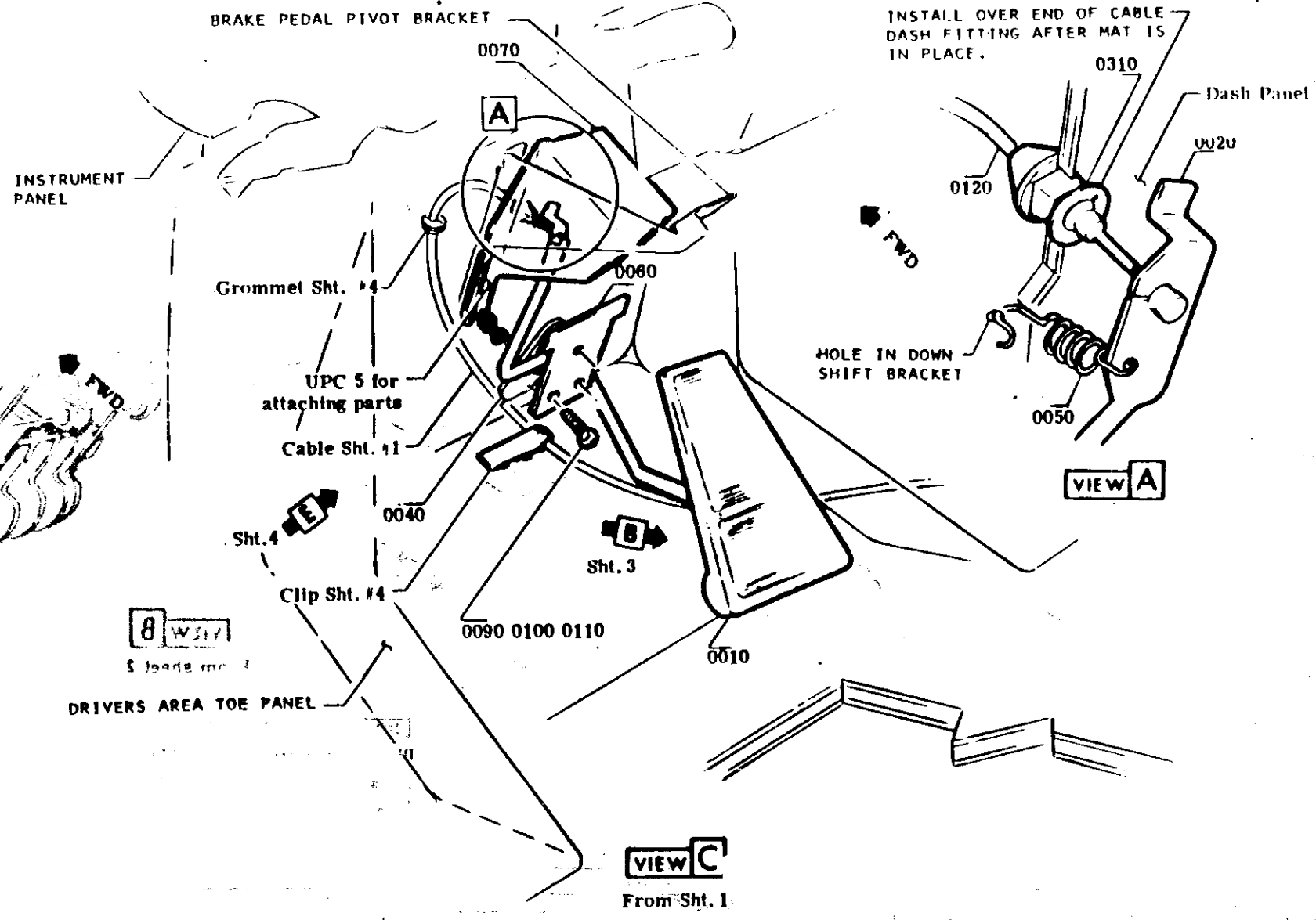
ITEM	QTY	PART OR TOOL DESCRIPTION	ADD'L DATA	QTY	PART NUMBER	ENGINE CODES	SERIES	REV	ITEM RESTRICTION	DEPARTMENTS		CHANGE		LOGIC CODE	FUNCTION CODE	ADDITIONAL CODES	PNA	LINE NOB
										#1	2/87A	CD	AUTH					
100101		ENG TIPPER			10500					0752								1-0
001000		TR F/PMP-CARB			555198					0752	62		0000620140					1-1

7 2 3 4 5 P.M.V.S.B.	ZE05000		MODEL YEAR 1978
	MODEL APPLICATION FUEL PUMP & V		ORIGIN DATE 770727
	UPC DESCRIPTION JIM PUMP		LAST CHG. DATE
			LAST CHG. CODE
			TO 644 A
			BR V. P. C. 897





GMT 922 1-73



SYMBOL (Installation) - LBS	WARRANTY (Inspection) - LBS	DATE	SYM	REVISION	AUTH.	DR.	CR.	DEPARTMENTS	TITLE	REV.	SHEET
▲		6-20-77		ORIGINAL RELEASE	1700005			H. GRIFIN	THROTTLE CONTROL	6N2	2
▲									THROT. CONT. ACCEL. PED. OPER.		

**'78 TRUCK**      **BOOK 70**

**THROTTLE CONTROL**

THROT. CONT. ACCEL. PED. OPER.

**6N2**

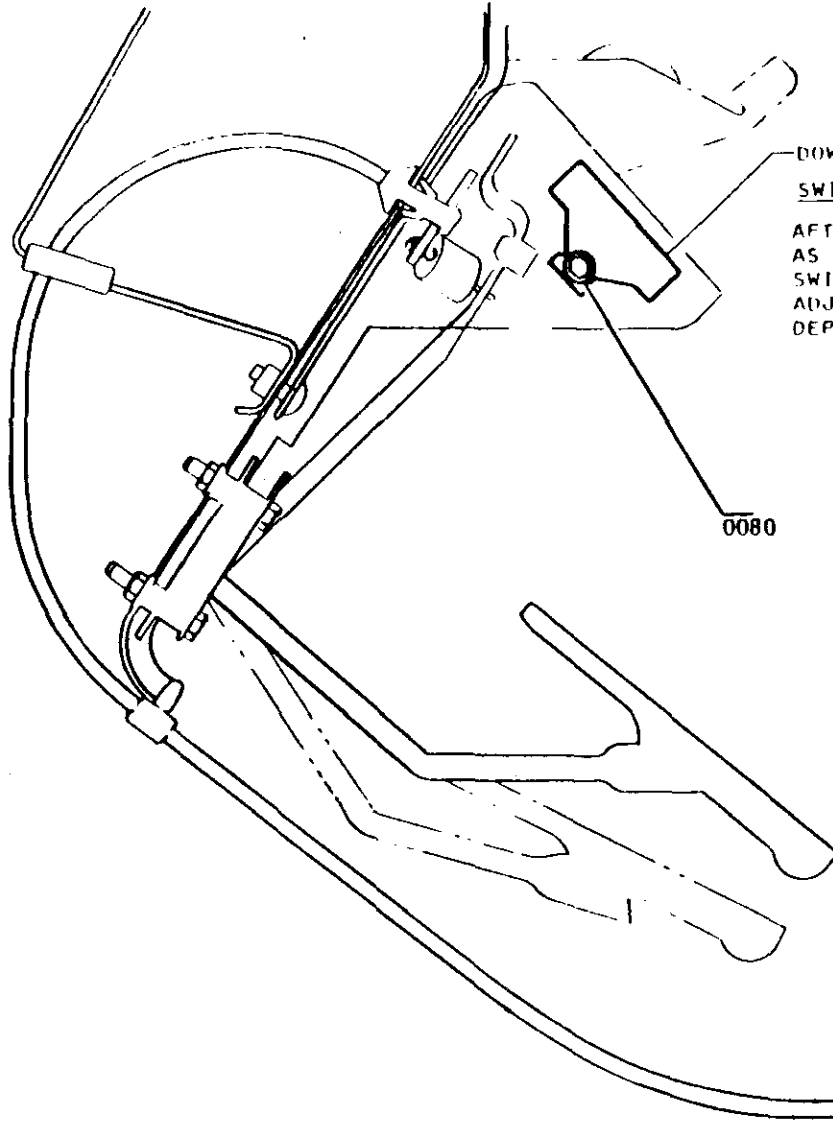
**2**





□ ITEM REFERENCE    ◇ PROCESS MATERIAL    △ TORQUE    ▣ PART OF OR EXISTING

GMT 922 1-73



DOWNSHIFT SWITCH UPC 12  
SWITCH ADJUSTMENT PROCEDURE

AFTER INSTALLING SWITCH, PRESS PLUNGER AS FAR UP AS POSSIBLE. THIS PRE-SETS SWITCH FOR ADJUSTMENT. SWITCH WILL ADJUST ITSELF PROPERLY AFTER PEDAL IS DEPRESSED TO FULL THROTTLE.

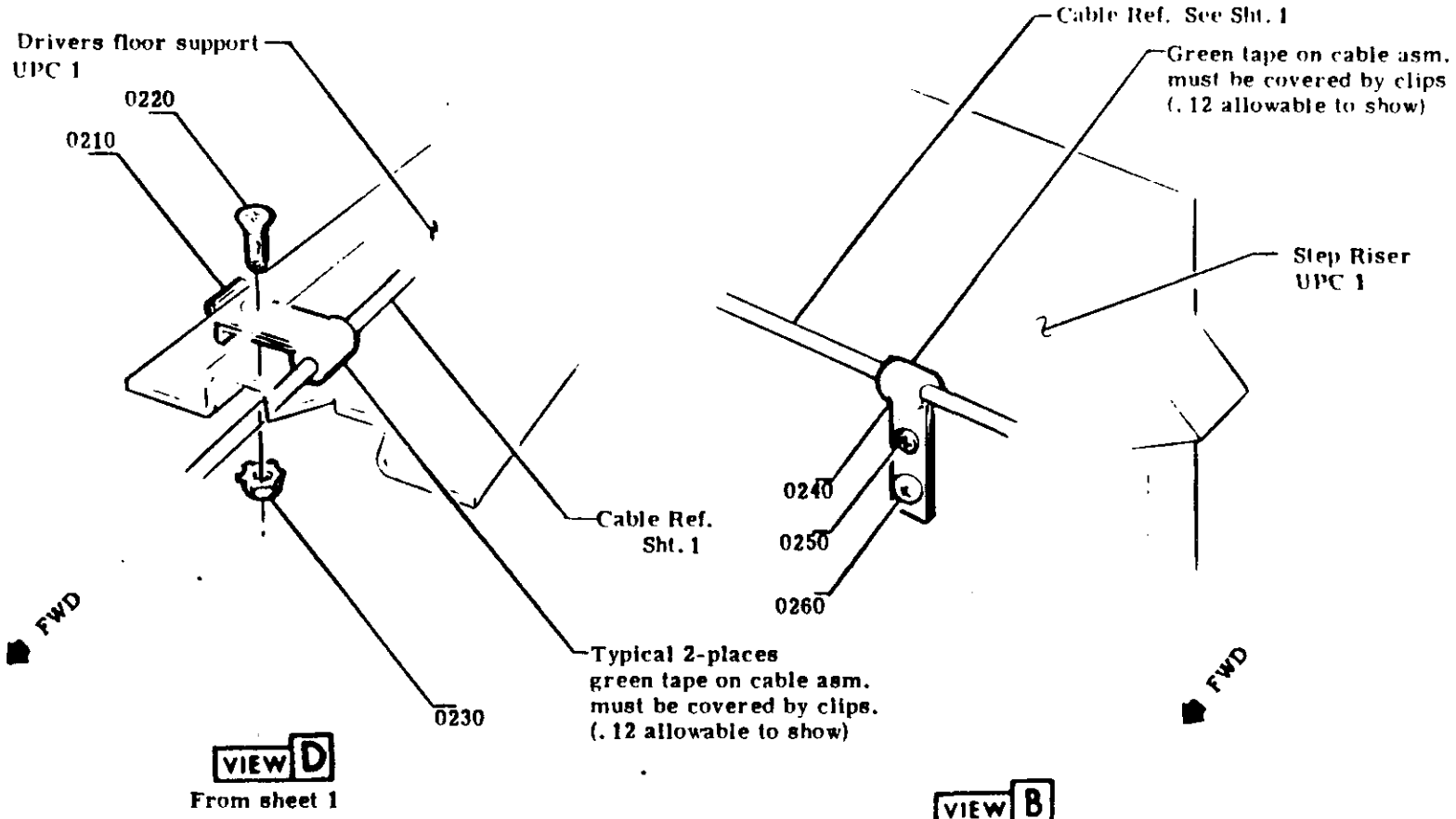
DYNAMIC (Installation) - LBS	HARD (Inspection) - LBS	DATE	SYM	REVISION	AUTH	DR	CR	DEPARTMENTS
▲		5-10-77		ORIGINAL RELEASE	47000			11 11 11 N
▲								
▲								
▲								
▲								

'78 TRUCK		BOOK 70
TITLE		
DOWN SHIFT SWITCH ADJUSTMENT		
BRAKE THROT. CONT. ACCEL. PED. OPER.	DIVISION <b>6N2</b>	SHEET <b>5</b>



□ ITEM REFERENCE    ◇ PROCESS MATERIAL    △ TORQUE    ▣ PART OF OR EXISTING

GMT 922 B/74



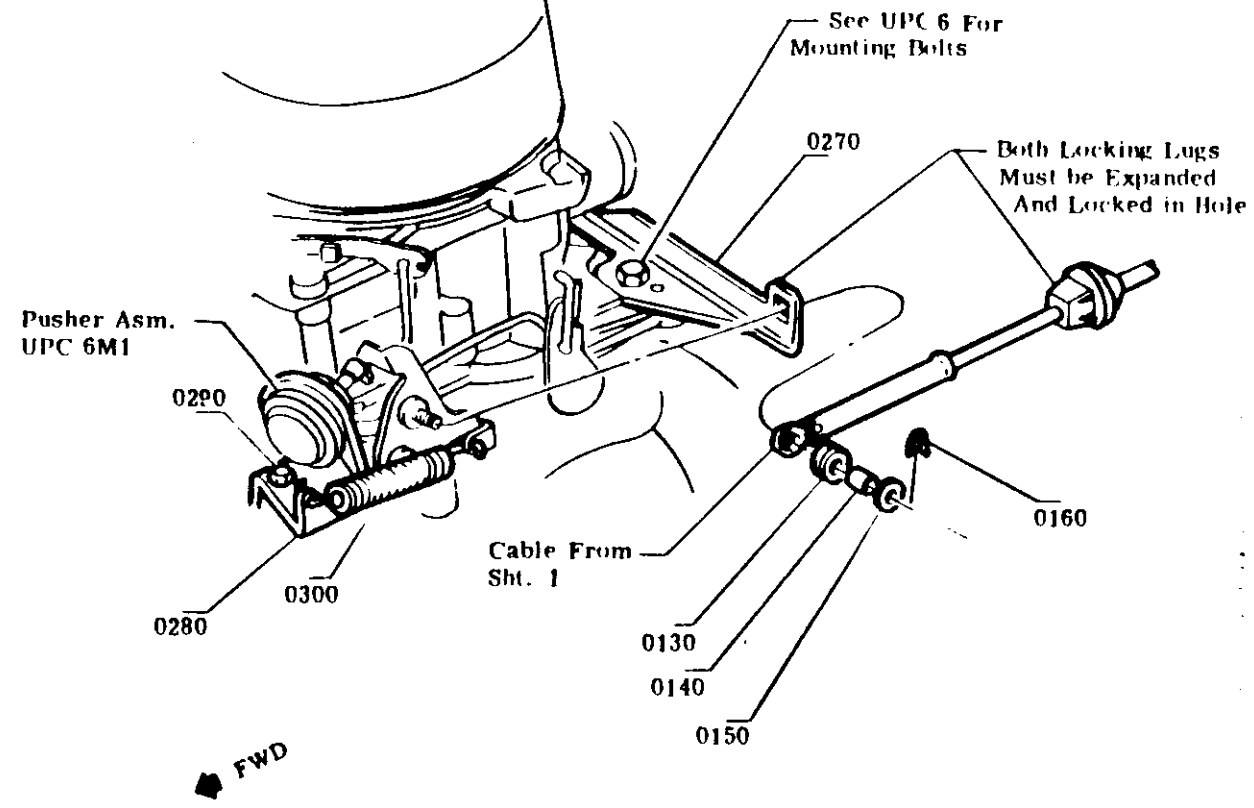
**VIEW D**  
From sheet 1

**VIEW B**  
From sheet 1

DYNAMIC (Installation) - LBS	WASH (Inspection) - LBS	DATE	SYM	REVISION	AUTH	DR	CR	DEPARTMENTS	'78 TRUCK BOOK 70	
▲		6/27/76		ORIGINAL RELEASE	47602				TITLE	
▲									ACCEL. CABLE CLIP	
▲									NAME THROT. CONT. ACCEL. PED. OPER.	DIVISION/UPC <b>6N2</b>
▲										SHEET <b>6</b>

□ ITEM REFERENCE    ◇ PROCESS MATERIAL    △ TORQUE    ▣ PART OF OR EXISTING

GMT 922 1/75



**VIEW A**  
From Sht. #1

BY (Name) - LBS	DATE	SYM	REVISION	AUTH	DR	EN	DEPARTMENTS	78 TRUCK BOOK 70	
△	6/21/77		ORIGINAL RELEASE	17000	6			TITLE ACCELERATOR CABLE TO CAB.	
△								NAME THROT.	DIVISION/UPC
△								CONT. ACCEL	6N2
△								PED. OPER.	SHEET 7



# PRODUCT DESCRIPTION MANUAL

## ASSEMBLY INFORMATION

GMT 1061 REV 6/78

GM TRUCK & COACH

ITEM	PART OR TOOL DESCRIPTION	ADD'L DATA	QTY	PART NUMBER	ENGINE CODES	SERIES	REV	ITEM RESTRICTION	DEPARTMENTS		CHANGE		LOGIC CODE	FUNCTION CODE	ADDITIONAL CODES	FNA	LINE NOS
									#1	2/STA	CD	AUTH					
AA01014	THRUTTLE CONTROL		1	L6379					0782								1.0
AA02014	ENG UPR CONT		1	L8509					0782								1.10
AA03024	INSL		1						0782								1.11
AA04014	THRUTTLE CONTROL		1	L6379					0754								1.12
AA04014	ENG UPR CONT		1	L8509					0754								1.13
AA04024	INSL		1						0754								1.14
0010AA	PEDAL ASM ACCEL		1	479314					0782	42			0000420180				1.24
0020AA	LEVER ASM		1	723593					0782	42			0000420185				1.26
0030AA	NUT PED LVR		1	9428794					0782	42							1.28
0040AA	SUPT PED LVR		1	3993087					0782	42			0000420190				1.30
0050AA	SPRING KTN		1	723590					0782	42			0000420195				1.32
0060AA	REINF LVR SUPT		1	723589					0782	42			0000420200				1.34
0070AA	BRKT DN SHFT SW		1	723591					0782	42			0000420205				1.36
0080AA	SCREW		1	9419400					0782	42							1.38
0090AA	BOLT BRKT DASH		3	9419010					0782	42							1.40
0100AA	WASHER BOLT		3	9419892					0782	42							1.42
0110AA	NUT BOLT		3	9422273					0782	42							1.44
0120AA	CABLE ASM ACCEL		1	724454					0782	42			0000420210				1.46
0130AA	BUSHING ACCEL		1	403410					0754	87			0000870067				1.48
0140AA	SLEEVE ACCEL		1	414091					0754	87			0000870072				1.50
0150AA	WASHER		1	507295					0754	87							1.52
0160AA	RETAINER		1	583105					0754	87			0000870180				1.54
0170AA	GROMMET		1	2388804					0782	42							1.56

1 2 3 4 5 P.M.V.S.S.	ZE05X00								MODEL YEAR 78							
									ORIGIN DATE 770727							
									LAST CHG. DATE 77929							
									LAST CHG. CODE							
									70 6N2 A 1							
								RE 11 1 1 1 1 1 1 1 1								

MODEL APPLICATION  
**THRUTTLE CONT FOR ACCEL PEDAL OPERATION**  
 VPR DESCRIPTION

# PRODUCT DESCRIPTION MANUAL

## ASSEMBLY INFORMATION

GMT 1061 REV 5/75

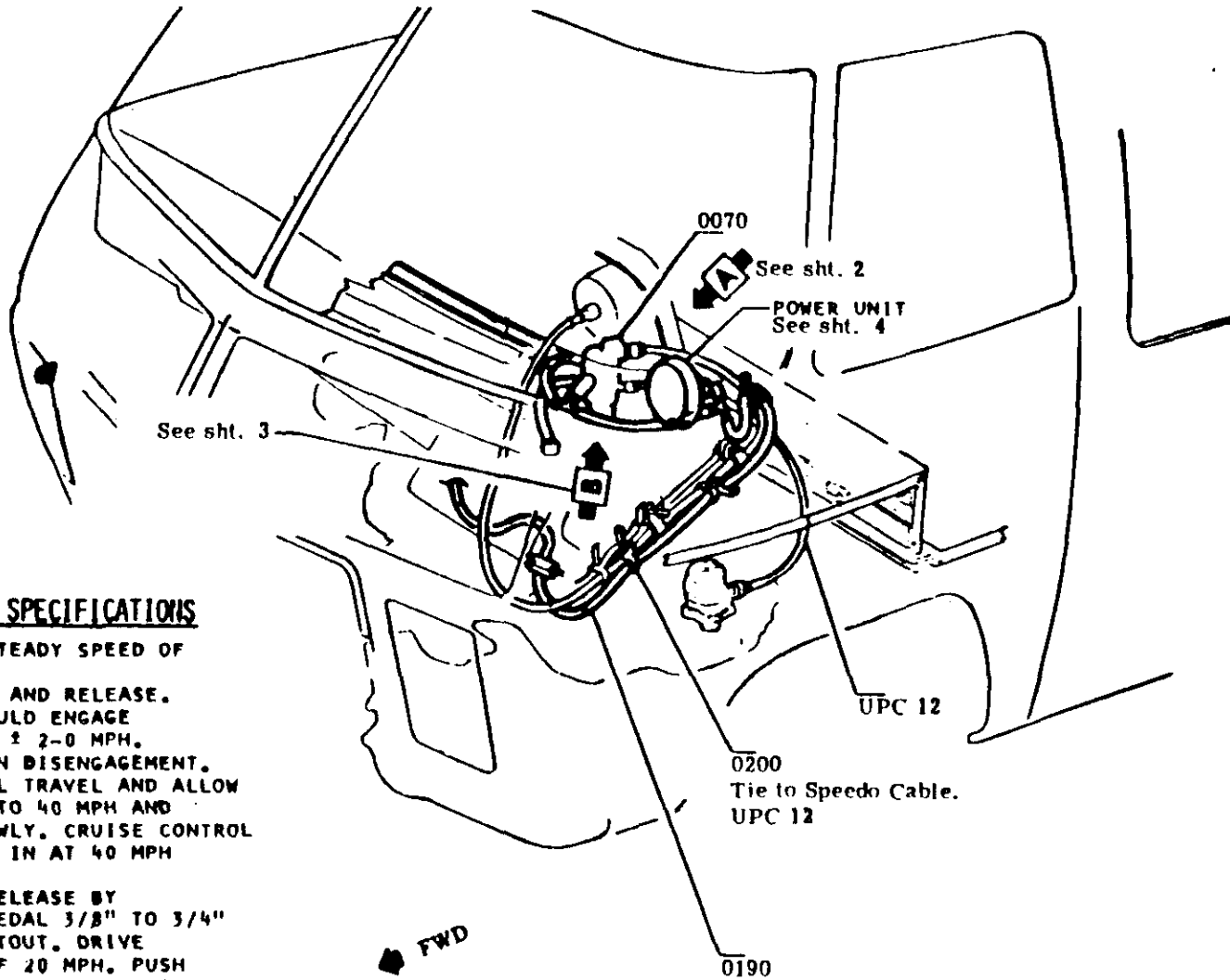
ENGINE JACK & COACH

ITEM	PART OR TOOL DESCRIPTION	ADD'L DATA	QTY	PART NUMBER	ENGINE CODES	SERIES	BOY	PART	ITEM RESTRICTION	DEPARTMENTS		CHANGE		LOGIC CODE	FUNCTION CODE	ADDITIONAL CODES	PNA	LINE NOS
										#1	2/STA	CD	AUTH					
0180A	CLIP		1	724070						0782	42			0000	420230			1.50
0190AA	SCREW		1	9419400						0782	42							2.1
0200AA	SCREW		1	443552						0782	42							2.3
0210AA	CLIP ACCEL CBL		2	724908						0782	50			0000	500060			2.5
0220AA	SCREW		2	156455						0782	50							2.7
0230AA	NUT		2	271184						0782	50							2.9
0240AA	CLIP		1	724070						0782	50			0000	500065			2.11
0250AA	SCREW		1	9414726						0782	50							2.13
0260AA	SCREW		1	3980590						0782	50							2.15
0270AA	BRKT CBL ANL		1	419926						0752	63			0000	630005			2.17
0280AA	BRKT RTN SPRG		1	2016420						0752	63			0000	630010			2.19
0290AA	BOLT RTN SPRG		2	9419683						0752	63							2.21
0300AA	SPRING ASM		1	416074						0752	63			0000	630170			2.23
0310AA	RETAINER		1	1233539						0754	87			0000	870075			2.25

	ZE06X00	MODEL YEAR 1978 ORIGIN DATE 770727 LAST CHG DATE 77929 LAST CHG CODE
REFERENCE	MODEL APPLICATION THROTTLE CONT FOR ACCEL PEDAL OPERATION	70 6N2 A 2 SR U. P. C. GRP PAGE



GMT 922 1-73



**CRUISE CONTROL AUDIT SPECIFICATIONS**

1. DRIVE VEHICLE AT STEADY SPEED OF 50 MPH
2. PUSH ENGAGE BUTTON AND RELEASE. CRUISE CONTROL SHOULD ENGAGE SMOOTHLY AT 50 MPH ± 2-0 MPH.
3. CHECK ENGAGE BUTTON DISENGAGEMENT. PUSH BUTTON TO FULL TRAVEL AND ALLOW CAR SPEED TO DROP TO 40 MPH AND RELEASE BUTTON SLOWLY. CRUISE CONTROL SYSTEM SHOULD LOCK IN AT 40 MPH
4. CHECK FOR CRUISE RELEASE BY DEPRESSING BRAKE PEDAL 3/8" TO 3/4"
5. CHECK LOW SPEED CUTOUT. DRIVE VEHICLE AT SPEED OF 20 MPH. PUSH ENGAGE BUTTON AND RELEASE. CRUISE CONTROL SHOULD NOT ENGAGE.

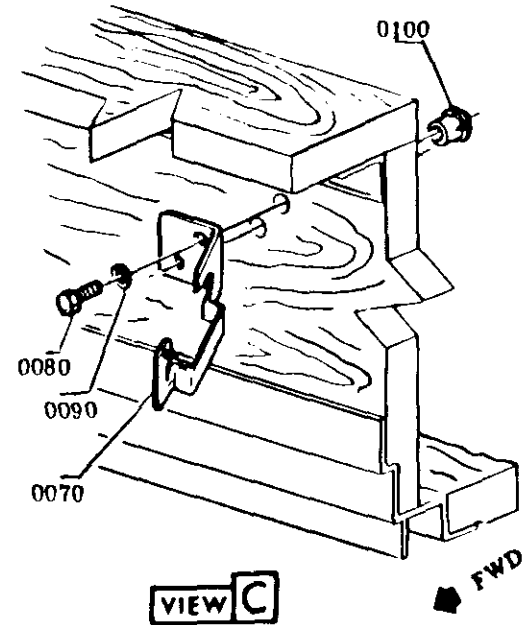
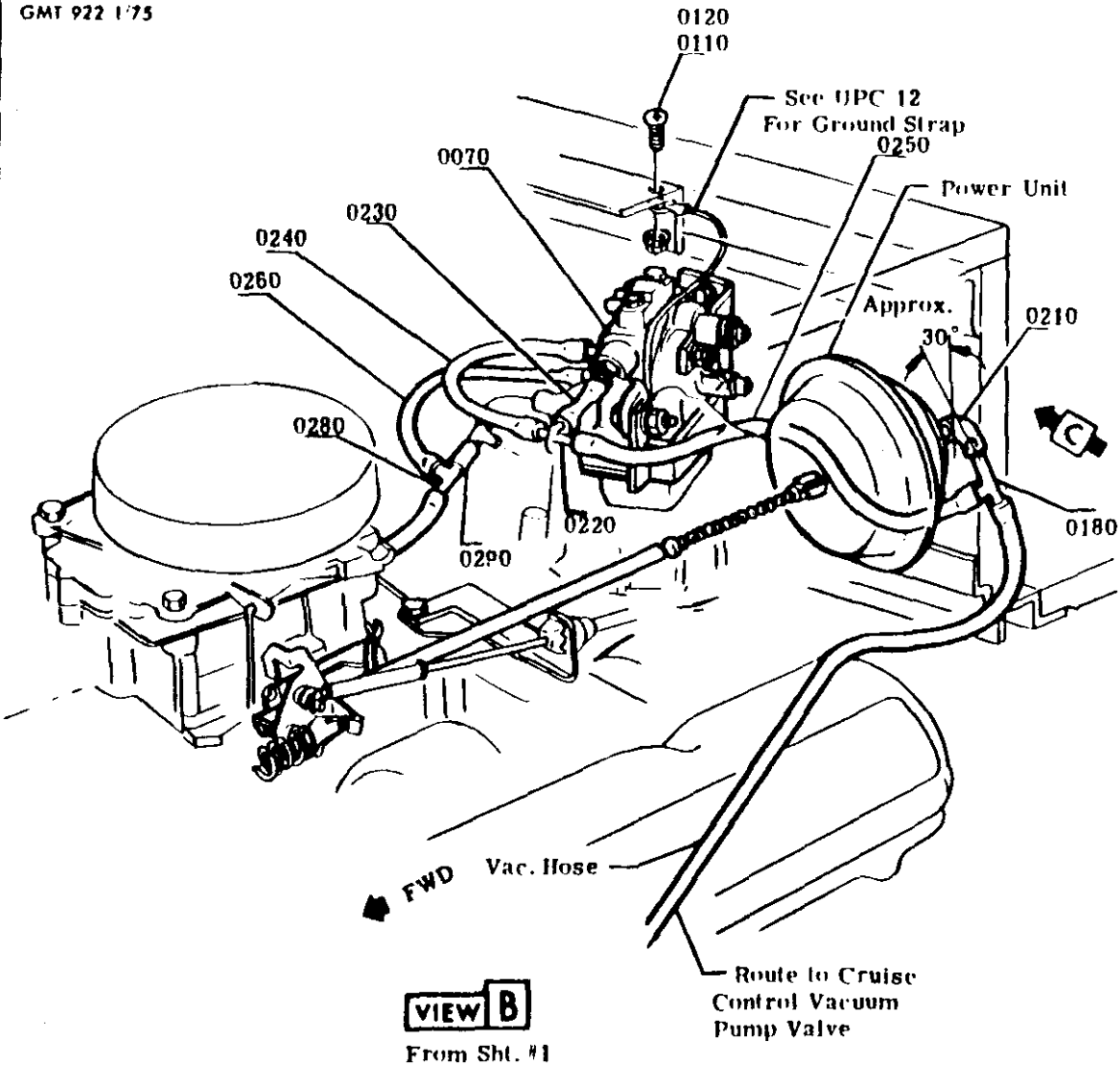
DATE	SYN	REVISION	AUTH	DR	CR	DEPARTMENTS	TRUCK	BOOK
6-3-77		ORIGINAL RELEASE	17200	03	AR	THOMPSON	78	70
							TITLE	
							TRANSUCER & HOSES (RPO K30)	
							NAME	
							SPEED CONTROL	
							6N4	
							SHEET	
							1	





□ ITEM REFERENCE    ◇ PROCESS MATERIAL    △ TORQUE    ▣ PART OF OR EXISTING

GMT 922 1/75



DYNAMIC (Installation) - LPS	INSPECTION (Inspection) - LPS	DATE	SYM	REVISION	AUTH	DR	ED	DEPARTMENTS	78 TRUCK	BOOK 70
△		2-3-77		ORIGINAL RELEASE	Y2000	6/1		THOMPSON	TITLE	
△									TRANSJUCER & HOSE ROUTING	
△									(K30)	
△									NAME	DIVISION/UPC
△									SPEED CONTROL	6N4
△									SHEET	3





PRODUCT DESCRIPTION MANUAL

ASSEMBLY INFORMATION

ITEM	QTY	PART OR TOOL DESCRIPTION	ADD'L DATA	QTY	PART NUMBER	M TO ID	ENGINE CODES	SERIES	DOY BVM	ITEM RESTRICTION	DEPARTMENTS		CHANGE CD	LOGIC CODE	FUNCTION CODE	ADDITIONAL CODES	LINE NOS
											#1	2/STA					
AA0101	2	CRUISE CONT INST			L8451					K30	0782						1.8
AA0201	2	CRUISE CONT INST			L8451					K30	0752						1.10
0010AA		POWER UNIT		1	6466690					K30	0752	62		3647620425	M		1.11
0020AA		BRKT		1	700436					K30	0752	62		3647620430	M		1.11
0021AA		NOTE: USE EXISTING HARDWARE TO ATTACH BRKT TO TRANS. HSG.														1.21	
0021AA		RETORQUE 25-30 FT LBS.										0752	62				1.22
0030AA		WA LK		1	103330					K30	0752	62					1.24
0040AA		NUT 10-15 FT LBS		1	124939					K30	0752	62					1.26
0050AA		BRKT CHAIN GDE		1	793181					K30	0752	63		3647630175	M		1.28
0052AA		STUD C/CUNT RT		1	2017885					K30	0752	63					1.30
0054AA		WA LK		1	121841					K30	0752	63					1.32
0058AA		NUT STUD		1	120622					K30	0752	63					1.34
0058AA		CLIP BALL CHAIN		1	1600989					K30	0752	63		3647630180	M		1.36
0060AA		WA CLIP		1	131015					K30	0752	63					1.38
0062AA		SPRING RET		1	455561					K30	0752	63		3647630185	M		1.40
0070AA		TRANSDUCER ASM		1	6466270					K30	0782	42		3647420235	M		1.42
0080AA		BOLT		2	9419008					K30	0782	42					1.44
0080AA		95-120 IN LBS									0782	42					1.45
0090AA		WA LK		2	103319					K30	0782	42					1.47
0100AA		NUT		2	693207					K30	0782	42					1.49
0110AA		SCREW		1	155941					K30	0782	42					1.51
0120AA		NUT C WA ASM		1	271166					K30	0782	42					1.53

P.M.V.S.S.	REFERENCE	ZE06X00	MODEL YEAR IS 78
			ORIGIN DATE 770727
			LAST CHG. DATE 770929
		MODEL APPLICATION	LAST CHG. CODE
		SPEED CONTROL	70 6N4 A 1
		UPC DESCRIPTION	BK U. P. C. QNF PAGE

PRODUCT DESCRIPTION MANUAL  
ASSEMBLY INFORMATION

ITEM	QTY	PART OR TOOL DESCRIPTION	ADD'L DATA	QTY	PART NUMBER	ENGINE CODES	SERIES	BOX	ITEM RESTRICTION	DEPARTMENTS		CHANGE		LOGIC CODE	FUNCTION CODE	ADDITIONAL CODES	PNA	LINE NOS
										#1	2/STA	CD	AUTH					
0140AA		VLY VAC DUMP		1	6465213				K30	0782	42			3647420240	M			1.55
0150AA		NUT		2	107824				K30	0782	42							1.57
0160AA		CLIP		1	2399079				K30	0782	42			3647420245	M			1.58
0170AA		GRLAMET		1	715216				K30	0782	42							1.59
0180AA		TEE		1	6465399				K30	0782	42			3647420250	M			2.2
0190AA		HOSE VAC DUMP		1	1599068				K30	0782	42			3647420255	M			2.4
0200AA		STRAP		3	8877976				K30	0782	50			3647500070	M			2.6
0210AA		ELBOW		1	6294397				K30	0752	63			3647630022	M			2.8
0220AA		TEE		1	5646002				K30	0782	42			3647420260	M			2.10
0230AA		HOSE TRANS TEE		1	6467907				K30	0782	42			3647420265	M			2.12
0240AA		HOSE TRANS TEE		1	6467930				K30	0782	42			3647420270	M			2.14
0250AA		HOSE TRANS TEE		1	6467933				K30	0782	42			3647420275	M			2.16
0260AA		HOSE TRANS TEE		1	1599036				K30	0752	63			3647630025	M			2.18
0265AA		CONN HSE/ENG		1	413584				K30	0752	63			3647630030	M			2.20
0280AA		TEE VAC HOSE		1	406026				K30	0752	63			3647630035	M			2.22
0290AA		HOSE AC/CR CONT		1	419801				K30	0752	63			3647630040	M			2.24

ZE06X00

MODEL APPLICATION  
SPEED CONTROL  
MPC DESCRIPTION

MODEL YEAR 1978  
ORIGIN DATE 770727  
LAST CHG DATE  
LAST CHG CODE  
70 6N4 A 2  
BK V. P. C. GMT PAGE



QTY	PART OR TOOL DESCRIPTION	ADDL DATA	QTY	PART NUMBER	ENGINE PARTS	FRAMES	TOOLING	ITEM DESCRIPTION	QTY	TA	QTY	TA	QTY	TA	QTY	TA
1	ENG & TRANS MOUNTING		1	L0440					0752							
1	TERM INSTAL & CRD INSTK		1	MD03876					0752							
1	145 AMP GEN		1	L9257			L04801		0752							
2	BOLT ENG SUPT		2	9422279					0752	61						
2	BOLT ENG SUPT		2	9437563					0752	61	01390					
1	ENG FRT SUPT		1	550210					0752	61		0000610009				
1	ENG FRT SUPT		1	2025912			L04801		0752	61		0000610090				
2	STUD SUPT FRM		2	390403					0752	61						
2	NUT 25335 FT LBS		2	2402399					0752	69						
1	BRACKET SUPT		1	419660					0752	61		0000610129				
3	BOLT 45360 FT LBS		3	394545					0752	61						
1	COMPOUND		1	9905140					0752	61						
3	WA LK		3	103328					0752	61						
3	BOLT BRKT 45365 FT LBS		3	9437563					0752	61	01390					
1	BOLT BRKT 45365 FT LBS		1	180145					0752	61						
4	WA LK		4	103328					0752	61						
2	MOUNT ASM TRANS		2	550352					0752	61		0000611130				
2	RESTRICTOR		2	400761					0752	61		0000610139				
2	BOLT FRM 45365 FT LBS		2	9419097					0752	69						
2	WA LK		2	103328					0752	69						
2	WASHER		2	9429859					0752	69						

1 2 3 4 5 6 7 8 9 10	2E06X00	MODEL - 14A0071
	MODEL APPLICATION	ORIGIN DATE 770727
	POWER PLANT TO FRAME MTG	LAST ENG DATE 771008
UPC DESCRIPTION		LAST ENG CODE 61390
		70 00 A 1
		SK U. P. C. QMP PAGE

L









ITEM	QTY	PART OR TOOL DESCRIPTION	ADD'L DATA	QTY	PART NUMBER	ENGINE CODES	REF	REV	ITEM DESCRIPTION	DEPARTMENTS		CHANGE		LOGIC CODE	FUNCTION CODE	ADDITIONAL CODES	PN	THE JOB
										#1	2/STA	CD	AUTH					
AA01AA	4	RR AIR SUSP		4	L9362					0784								1.8
AA020A	4	RR AIR SUSP		4	L8016					0782								1.10
0010AA		COMPRESSOR ASM		1	2027286					0784	67			1388	675265		MO0100	1.15
0010AB		COMPRESSOR ASM		1	795622					0784	67			619121387	675265		001000	1.16
0011AA		ITEMS 0020 THRU 0182 ARE PART OF ITEM 0010								0784	67							1.16
0020ZA		CMPR ASM A/C		2	5044908					0784	67							1.20
0030ZA		BRKY CMPR AIR		1	2027284					0784	67							1.22
0040ZA		BRKY RISER		1	2027282					0784	67							1.24
0050ZA		VLV ASM - SEL		2	2006761					0784	67							1.26
0060ZA		BRKY-SOL NY		1	2007486					0784	67							1.28
0070ZA		SCR ASM-SOL NY		4	456963					0784	67							1.30
0080ZA		BOLT SOL NY BRKY		3	9419004					0784	67							1.32
0090ZA		WA LK SOL NY BRKY		3	103319					0784	67							1.34
0100ZA		NUT NY BOLT		3	9419912					0784	67							1.36
0110ZA		NUT-RISER BRKY		6	9417954					0784	67							1.38
0120ZA		WA LK-RISER		6	103320					0784	67							1.40
0130ZA		INSL ASM BRKY		4	397224					0784	67							1.42
0140ZA		TUBE ASM		2	2027285					0784	67							1.44
0150ZA		FTG ASM CMPR		2	3176207					0784	67							1.46
0160ZA		CONN-CMPR		2	121711					0784	67							1.48
0170ZA		SEALER		4	8860653					0784	67							1.50
0180ZA		ADPTR-CMPR SOL		2	793384					0784	67							1.52
0182ZA		NUT ASM		6	11503680					0784	67							1.54

7E07XCO

MODEL INFORMATION  
AIR COMPRESSOR & AIR INJECTOR REACTOR

MODEL YEAR 75  
 DESIGN DATE 7-7-77  
 PARTIAL DATE 7/10/77  
 ASS'Y NO 70  
 REV. 1

# PRODUCT DESCRIPTION MANUAL

## ASSEMBLY INFORMATION

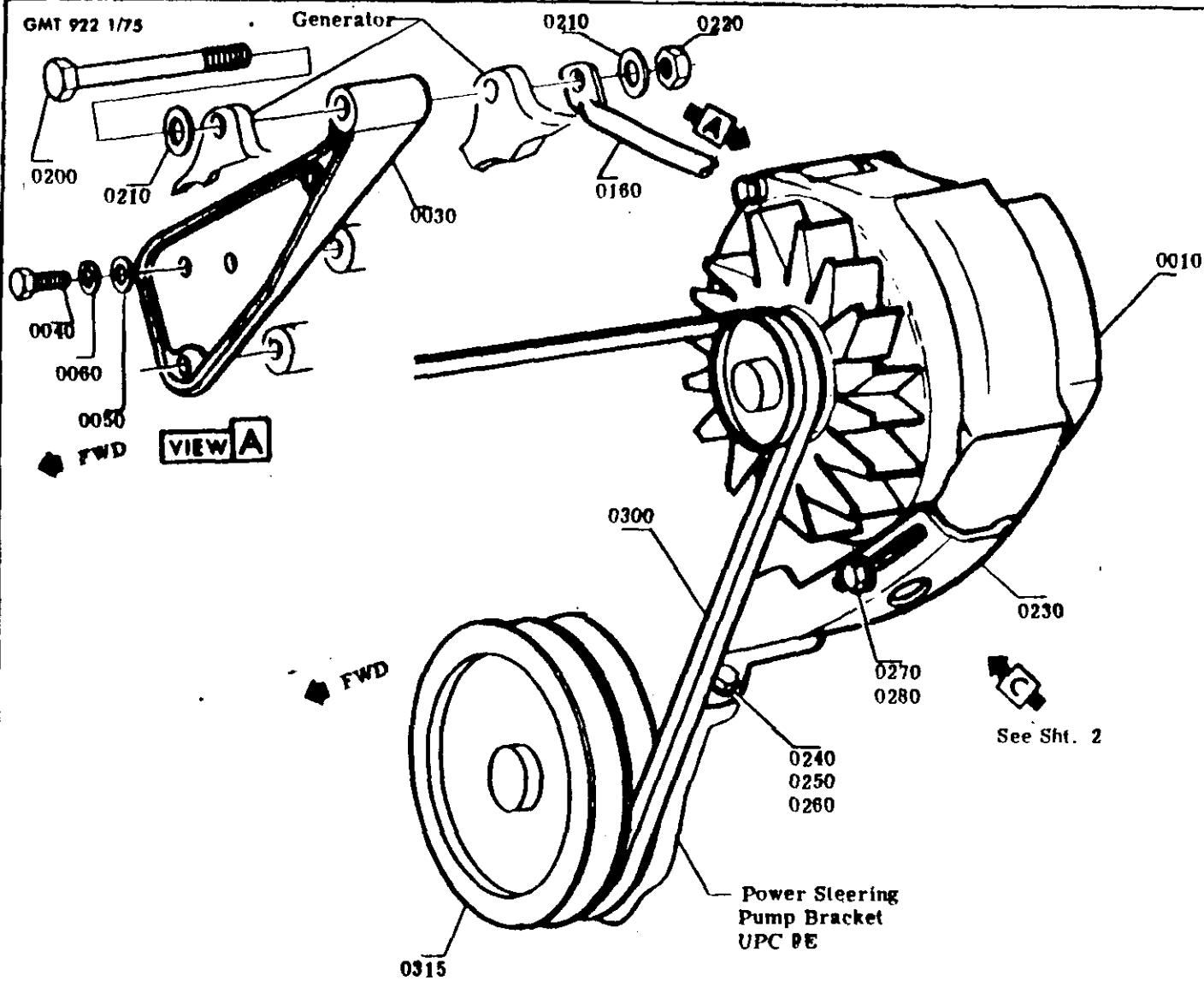
GM 1978 REV 8/78

ITEM QTY	PART OR EQUIV DESCRIPTION	ADD'L DATA	QTY	PART NUMBER	ENGINE CODES	SERIES	BODY	ITEM RESTRICTION	DEPARTMENTS		CHANGE		FUNCTION CODE	ADDITIONAL CODES	TNA
									1	2/STA	CD	AUTH			
11	A/C MODULE ASM		1	20091			83	GXM	754	90					
2	SCR MOD MT		4	942006				GXM	754	90					
2	SCREEN M/G		4	942006				GXM	784	67					

2E06X00  
 MODEL APPLICATION  
 AIR COMPRESSOR & AIR INJECTOR REACTOR  
 UPS DESCRIPTION

MODEL YEAR 1978  
 ORIGIN DATE 770727  
 LAST CHG. DATE 770822  
 LAST CHG. CODE  
 70 6T A 2  
 DE M P G SPP PAGE

ITEM REFERENCE     PROCESS MATERIAL     TORQUE     PART OF OR EXISTING



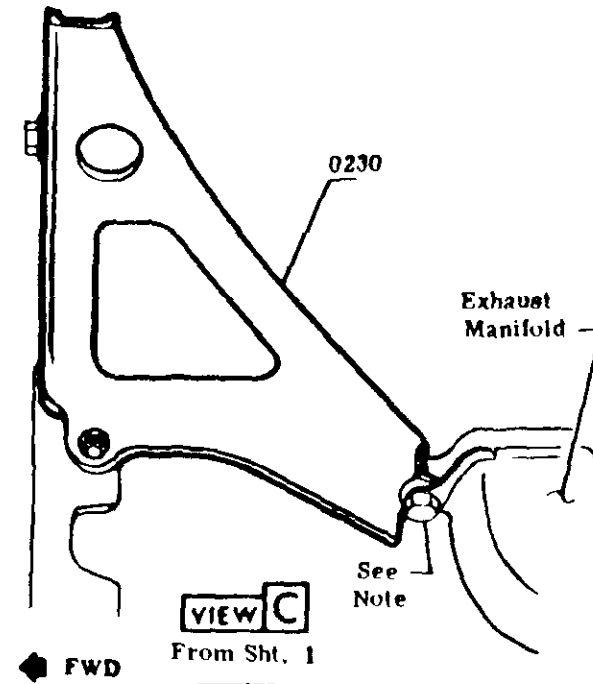
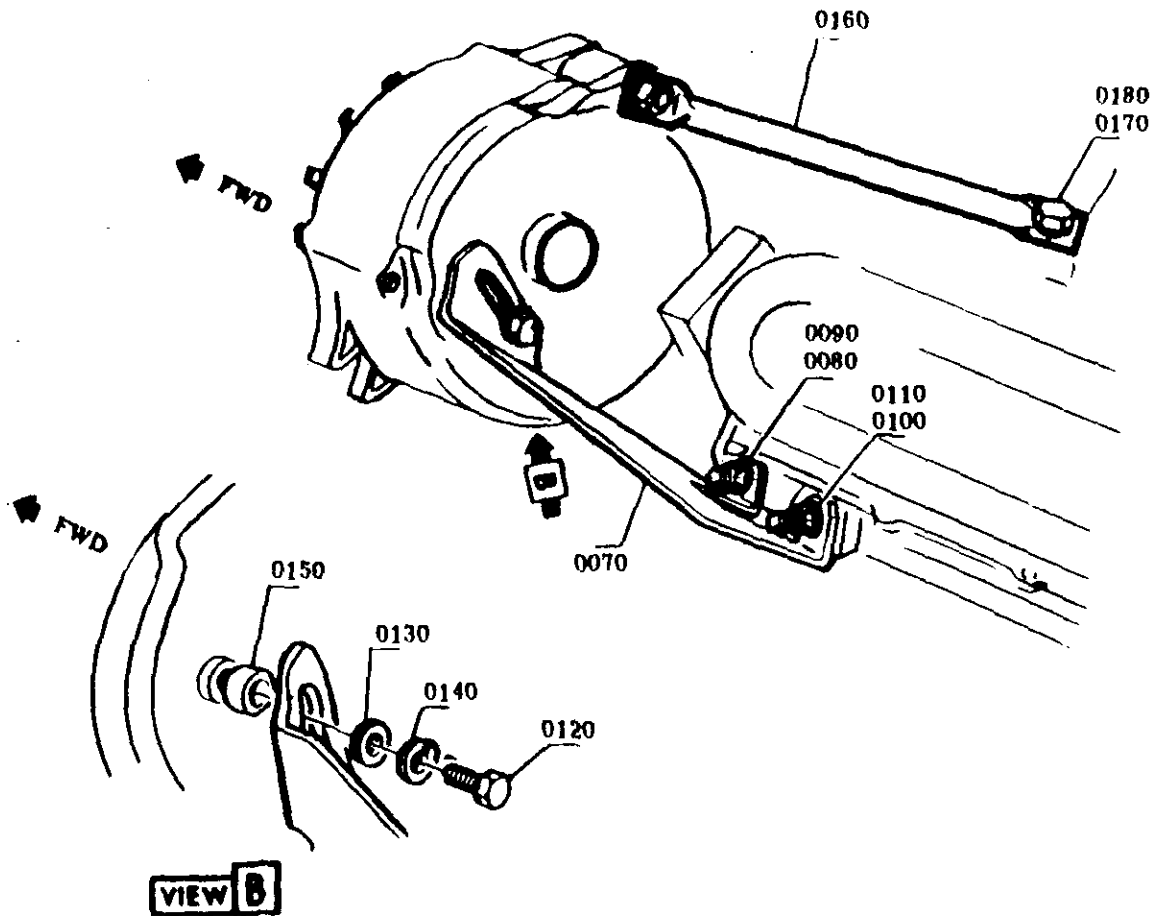
**NOTE** Belt Tension  
 Belt Tension to Check 110/140 lbs.  
 on Burroughs Tool 33-95 ACB on  
 Installation to Check to Lbs. Minimum  
 After Vehicle has been Run on Test  
 Rolls, unless otherwise specified.  
 P S Pump Belt must be Adjusted to  
 Tension before Tightening the  
 Generator Belt.

**NOTE** Item 0020  
 Terminal Nut  
 Not Illustrated

VIEW/REV (Inspection) - LB	DATE	SYM	REVISION	AUTH	DR	BY	DEPARTMENT	TRUCK	BOOK
	6-25-77		ORIGINAL RELEASE	47000	JL		GRIPPIN	170	70
NAME GEN CURRENT & VOL. REG.								DIVISION/PC <b>6Y1</b>	SHEET <b>1</b>

□ ITEM REFERENCE    ◇ PROCESS MATERIAL    ▲ TORQUE    ■ PART OF OR EXISTING

GMT 922 1/75



- NOTE**
1. Remove Existing Bolt & Lock Tab.
  2. Install Gen. Adj. Link
  3. Reinstall Existing Lock Tab
  4. Reinstall Existing Bolt
  5. Bend Lock Tab around Bolt Head.

SYNOPSIS (Installation) - (L)	ASSEMBLY (Inspection) - (L)	DATE	SYM	REVISION	AMT	BY	CR	DEPARTMENTS
▲		4-5-77		ORIGINAL RELEASE	4700			GAFFIN
▲								
▲								
▲								
▲								
								<b>'78 TRUCK</b> <b>BOOK 70</b>
								TITLE <b>GENERATOR</b>
			GEN. CURRENT & VOL. REG.	6Y1			SHEET <b>2</b>	





QTY	PART OR TOOL DESCRIPTION	ADDL DATA	PART NUMBER	ENGINE CODES	REMARKS	QTY	QTY	QTY	QTY	QTY	QTY	QTY	QTY	QTY	QTY	QTY	QTY	QTY	
1	33 ENG ALSRY INSTL		L0674																
1	ENG & CHAS WRG		L0630																
1	145 AMP GEN		L2257																
1	GENERATOR ASM		1101016		-L04														
1	GENERATOR ASM		1117149		L04														
1	NUT TERM WR		9926329		-L04														
1	BRKT GEN FRT		1606894		-L04														
1	BRKT GEN FRT		2025931		L04														
1	20:30 FT LB																		
3	EOLT		9418994		-L04														
3	NUT 20:50 FT LB		9418994		L04														
3	WASHER		2479541		-L04														
3	WASHER		9421042		L04														
3	WA LK		103321		-L04														
1	BRKT GEN RR		556693		-L04														
1	BRKT GEN RR		2025911		L04														
1	WA LR		103321		-L04														
1	NUT 25:30 FT#		9437796		-L04														
1	WA LK		103321		-L04														
1	NUT 40:50 FT#		271508		-L04														
1	EOLT KR BRKT GEN		9419032		-L04														
1	20:25 FT#																		
1	WASHER		3834560		-L04														
1	WA LK		103320		-L04														
1	SPACER		546691		-L04														
1	SPACER		2401354		L04														
1	BRACE GEN		556690		-L04														

ZE 06 X00

MODEL APPLICATION  
GENERATOR CURRENT & VOLTAGE REGULATOR

UPC DESCRIPTION

MODEL YEAR 1975  
ORIGIN DATE 11/1/71  
LAST CHG. DATE 11/10/8  
LAST CHG. CODE 61390  
70 CY A 1  
BK U. P. C. OFF PAGE

ITEM NO	PART OR TOOL DESCRIPTION	ADDITIONAL DATA	QTY	PART NUMBER	ENGINE PARTS	ITEM NO	ITEM DESCRIPTION	QTY	ITEM NO	ITEM DESCRIPTION	QTY	ITEM NO	ITEM DESCRIPTION	QTY	ITEM NO	ITEM DESCRIPTION	QTY
0100AA	BOLT 25x30 FT#		1	9418967			-L04	0752	63								
0100AB	WA LK		1	103321			-L04	0752	63								
0100AA	NUT		1	271508			L04	0752	63								
0100AA	WASHER		1	3790768			L04	0752	63								
0200AA	BOLT GEN/BRKT		1	9419167			-L04	0752	63								
0200AB	BOLT GEN/BRKT		1	9424780			L04	0752	63								
0200AA	WASHER		2	2436163			-L04	0752	63								
0200AB	WASHER		1	2436169			L04	0752	63								
0200AA	WASHER		1	2459728			L04	0752	63								
0200AA	NUT 15x20 FT#		1	9422277			-L04	0752	63								
0200AB	NUT 15x20 FT#		1	9422281			L04	0752	63								
0200AA	ARM ADV		1	557460			-L04	0752	63								
0200AB	ARM ADV		1	2027902			L04	0752	63								
0200AA	BOLT		1	9417950			-L04	0752	63								
0200AB	BOLT		1	9419099			L04	0752	63								
0200AA	WA LK		1	103320			-L04	0752	63								
0200AB	WA LK		1	2459728			L04	0752	63								
0200AA	NUT 20x25 FT#		1	9417954			-L04	0752	63								
0200AA	BOLT 25x30		1	9418994			-L04	0752	63								
0200AB	25x30 FT#							0752	63								
0200AA	WASHER		1	2479541			-L04	0752	63								
0200AB	WASHER		1	2436163			L04	0752	63								
0300AA	FLY GEN DR		1	405600			-L04	0752	63								
0300AB	FLY GEN DR		1	2025920			L04	0752	63								
0300AA	PULLEY GEN		1	2025923			L04	0752	63								
0300AA	BOLT ARM ADV		1	9437562			L04	0752	63								
0300AA	BOLT		1	9418918			L04	0752	63								
0300AA	WASHER		1	3728666			L04	0752	63								
0300AA	NUT		1	9422279			L04	0752	63								

ZE06 X00

MODEL APPLICATION  
GENERATOR CURRENT & VOLTAGE REGULATOR

MODEL YEAR 1963  
ORIGIN DATE 11/62  
LAST ENG. DATE 11/68  
LAST ENG. CODE 61390  
70 6Y1 A 2  
BK U. P. C. GHP PAGE

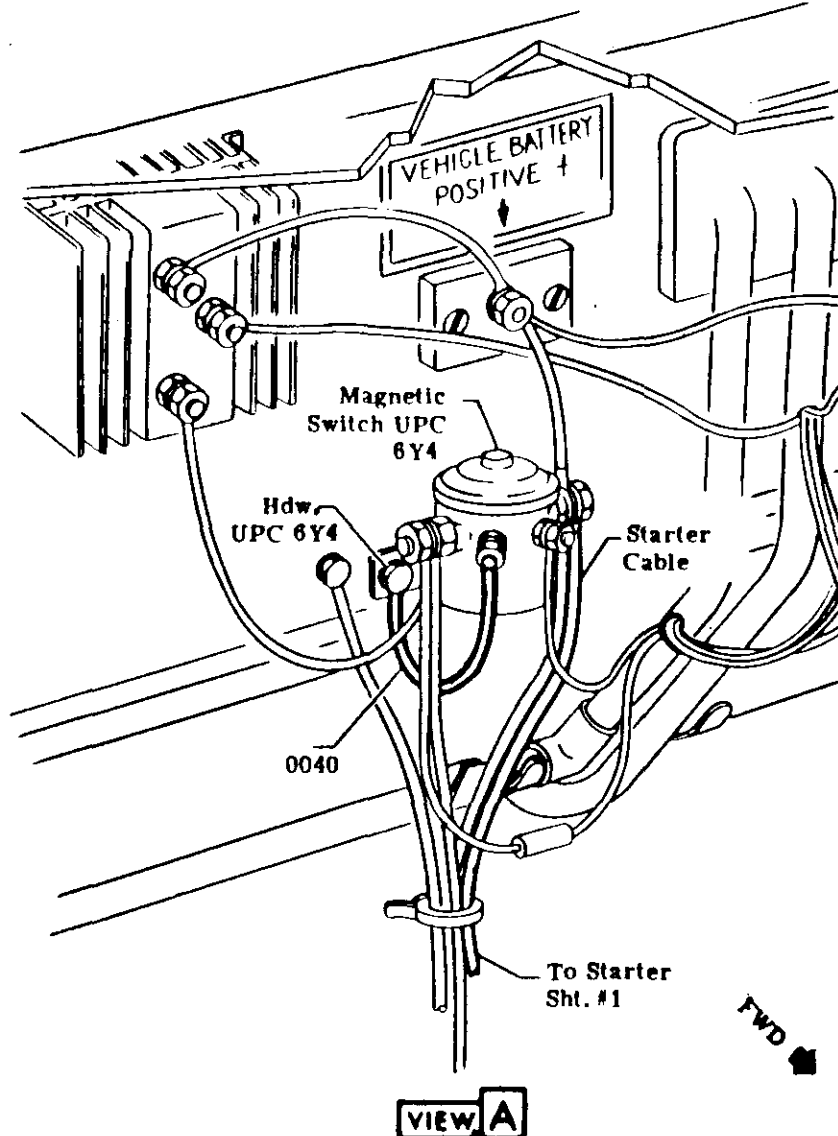
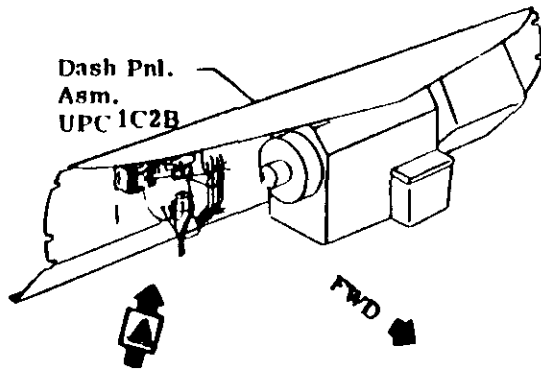
REFERENCE





□ ITEM REFERENCE    ◇ PROCESS MATERIAL    △ TORQUE    ▣ PART OF OR EXISTING

GMT 922 1/75



BY DRAWN (Installation) - LBS	MADE (Inspection) - LBS	DATE	SYM	REVISION	AQTH	DE	CE	DEPARTMENT	TRUCK	BOOK																																																							
		4/5/77		ORIGINAL RELEASE	47000			TRUCK	70	70																																																							
<div style="display: flex; align-items: center;"> <div style="margin-right: 20px;"> <p>△</p> <p>△</p> <p>△</p> <p>△</p> </div> <table border="1" style="border-collapse: collapse; width: 100%;"> <tr><td> </td><td> </td><td> </td><td> </td><td> </td><td> </td><td> </td><td> </td><td> </td><td> </td><td> </td></tr> <tr><td> </td><td> </td><td> </td><td> </td><td> </td><td> </td><td> </td><td> </td><td> </td><td> </td><td> </td></tr> <tr><td> </td><td> </td><td> </td><td> </td><td> </td><td> </td><td> </td><td> </td><td> </td><td> </td><td> </td></tr> <tr><td> </td><td> </td><td> </td><td> </td><td> </td><td> </td><td> </td><td> </td><td> </td><td> </td><td> </td></tr> <tr><td> </td><td> </td><td> </td><td> </td><td> </td><td> </td><td> </td><td> </td><td> </td><td> </td><td> </td></tr> </table> </div>																																																																TITLE	
									CABLE-STARTER TO MAGNETIC SWITCH																																																								
									STARTING DEVICES	6Y2	SHEET 2																																																						



# PRODUCT DESCRIPTION MANUAL

## ASSEMBLY INFORMATION

GMT 1001 REV. 8/78

GENIC TRUCK & COACH

ITEM	QTY	PART OR TOOL DESCRIPTION	ADD'L DATA	QTY	PART NUMBER	ENGINE CODES	SERIES	NOY B/RK	ITEM RESTRICTION	DEPARTMENTS		CHANGE		LOGIC CODE	FUNCTION CODE	ADDITIONAL CODES	FNA	LINE NO#
										#1	2/STA	CD	AUTH					
AA0101	4	ENG & CHAS WRG		*	LR752			81		0782		02106						1.8
AA0103	4	ENG & CHAS WRG		*	LR680			83		0782		02106						1.9
AA0201	4	403 ENG ACSRY		*	LR679					0782								1.11
AA0202	4	INSTL								0782								1.12
AA0301	4	403 ENG ACSRY		*	LR679					0752								1.14
AA0302	4	INSTL								0752								1.15
0010AA		CABLE ASM MAG SW			12000941					0752	61		0000	610095				1.20
0020AA		NUY CABLE			120377					0752	61							1.21
0020AA		60:12 IN LBS								0752	61							1.22
0030AA		WASHER			103321					0752	61							1.23
0040AA		WIRE ASM			8910956					0782	61		0000	370003				1.24
0050AA		CLIP			2444044					0752	61		0000	610100				1.3
0060AA		MOYOR ASM STARY			1100029					0752	61		0000	610105				1.33
0070AA		BPLY STARTER			9419077					0752	61							1.35
0080AA		WA LR			103322					0752	61							1.37
0090AA		BPLY			9419077					0752	61							1.39
0100AA		WA LR			103322					0752	61							1.41
0110AA		NUY			9419077					0752	61							1.43
0120AA		WA LR			103322					0752	61							1.45

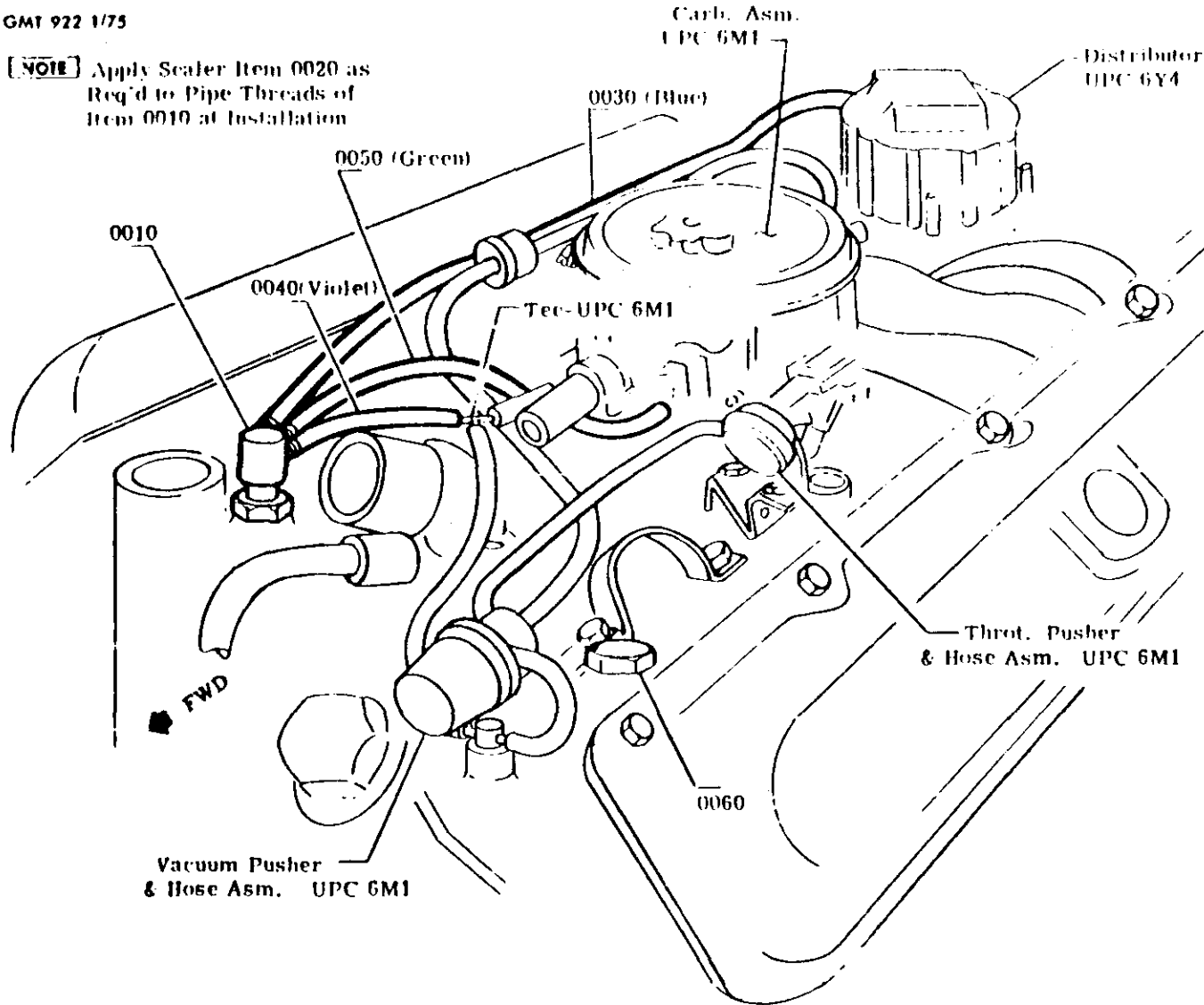
REVISED	REVISIONS	2E06X00	MODEL YEAR IS 78
			ORIGIN DATE 770727
			LAST CHG. DATE
		MODEL APPLICATION	LAST CHG. ORDR
		STARTING DEVICES	TO 6V2 A 1
		UPC DESCRIPTION	PS M.P.S. GMT PAGE



□ ITEM REFERENCE    ◇ PROCESS MATERIAL    △ TORQUE    ▣ PART OF OR EXISTING

GMT 922 1/75

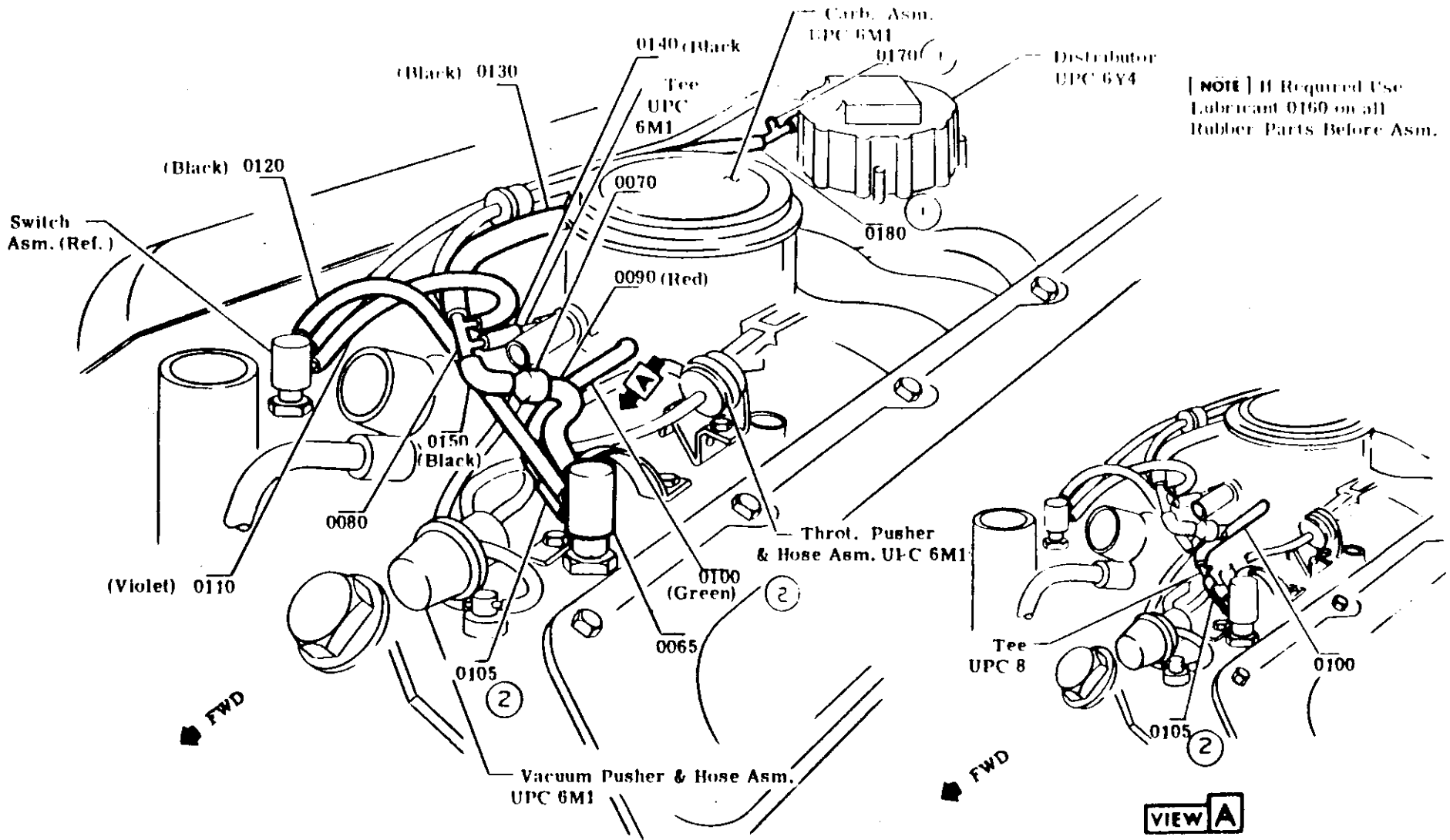
**[NOTE]** Apply Sealer Item 0020 as Req'd to Pipe Threads of Item 0010 at Installation



DYNAMIC (Installation) - LBS	HAND (Inspection) - LBS	DATE	SYM	REVISION	AUTH	DP	FR	DEPARTMENTS
△		11/77		ORIGINAL RELEASE				
△								
△								
△								
△								

<b>'78 TRUCK</b>		<b>BOOK 70</b>
TITLE HOSE-THERMAL VACUUM SWITCH TO CARB & DISTRIBUTOR		
NAME DISTRIBUTOR	DIVISION/UPC <b>6Y3</b>	SHEET <b>1</b>

GM 922 1 / 5



SYMBOL	DESCRIPTION	DATE	SYM	REVISION	AUTH	DE	CR	DEPARTMENTS	BOOK
△		2/17/77		ORIGINAL RELEASE	72000			DISTRIBUTOR	70
△		2/24/77	1	ITEMS WITH CHANGE ADDED					
△		2/27/77	2	ITEMS WITH CHANGE ADDED	63793				
△									
△									
△									

<b>70 TRUCK</b>		<b>BOOK 70</b>	
TITLE HOSE-THERMAL VACUUM SWITCH TO CARB. & DISTRIBUTOR W NB4			
NAME DISTRIBUTOR	DIVISION/UPC <b>6Y3</b>	SHEET <b>2</b>	



# PRODUCT DESCRIPTION MANUAL

## ASSEMBLY INFORMATION

GMT 1061 REV. 5/78

ITEM	SEQ	P	M	PART OR TOOL DESCRIPTION	ADD'L DATA	QTY	PART NUMBER	M O D	ENGINE CODES	SFRHS	BOY	HTRK	ITEM RESTRICTION	DEPARTMENTS		CHANGE		LOGIC CODE	FUNCTION CODE	ADDITIONAL CODES	LINE NOS
														61	2-51A	CD	AUTH				
AAG001				ENG UPR INSTL			LASC0							0752							1.0
AAG002				ENG UPR INSTL			L9172							0752							1.10
001000				SWITCH ASM VAC		1	3030975							0752	62			0000	620145		1.10
001000				12:14 FT LBS										0752	62						1.19
002000				SEALER VAC SW			9965735							0752	62						1.21
003000				HOSE TO DISTR		1	416441							0752	62	25731	0000	620150			1.23
004000				HOSE TO CARB		1	417235							0752	62			0000	620155		1.25
005000				HOSE CARB PR		1	416012							0752	62			0000	620160		1.27
006000				PLUG VAC SW		1	444661							0752	62			3918	620165		1.29
006000				100:125 IN LB										0752	62						1.30
006500				SW THERM VAC		1	3038957							0752	62			3917	620170		1.32
007000				VALVE CHECK		1	497853							0752	62			3917	620175		1.34
008000				TEE SW DBL VAL		1	3979424							0752	62			3917	620180		1.36
009000				HOSE DISTR ADV		1	417590							0752	62			3917	620185		1.38
010000				HOSE TEE-SW		1	416441							0752	62	03743	3917	620370		02420	1.40
010500				HOSE LH PRTY-TEE		1	417232							0752	62	03743	3917	620375		02425	1.42
011000				HOSE RH VAL		1	417235							0752	62			3917	620195		1.44
012000				HOSE RH & LH		1	9433275							0752	62			3917	620200		1.46
013000				HOSE DISTR		1	3942590							0752	62	25731	3917	620205			1.48
014000				HOSE TEE		1	419001							0752	62			3917	620210		1.50
015000				HOSE TEE/VLV		1	419001							0752	62			3917	620215		1.52
016000				LUPE HOSE			9045051							0752	62						1.54

<p>2</p> <p>3</p> <p>4</p> <p>5</p> <p>F.M.V.B.</p>	<p>2E06X00</p> <p>MODEL APPLICATION DISTRIBUTOR</p> <p>UPC DESCRIPTION</p>	<p>MODEL YEAR 1978</p> <p>ORIGIN DATE 770727</p> <p>LAST CHG DATE 770922</p> <p>LAST CHG CODE 3763</p> <p>70 6Y3 A 1</p> <p>BR V. P. C. QRP PAGE</p>
---	--	--

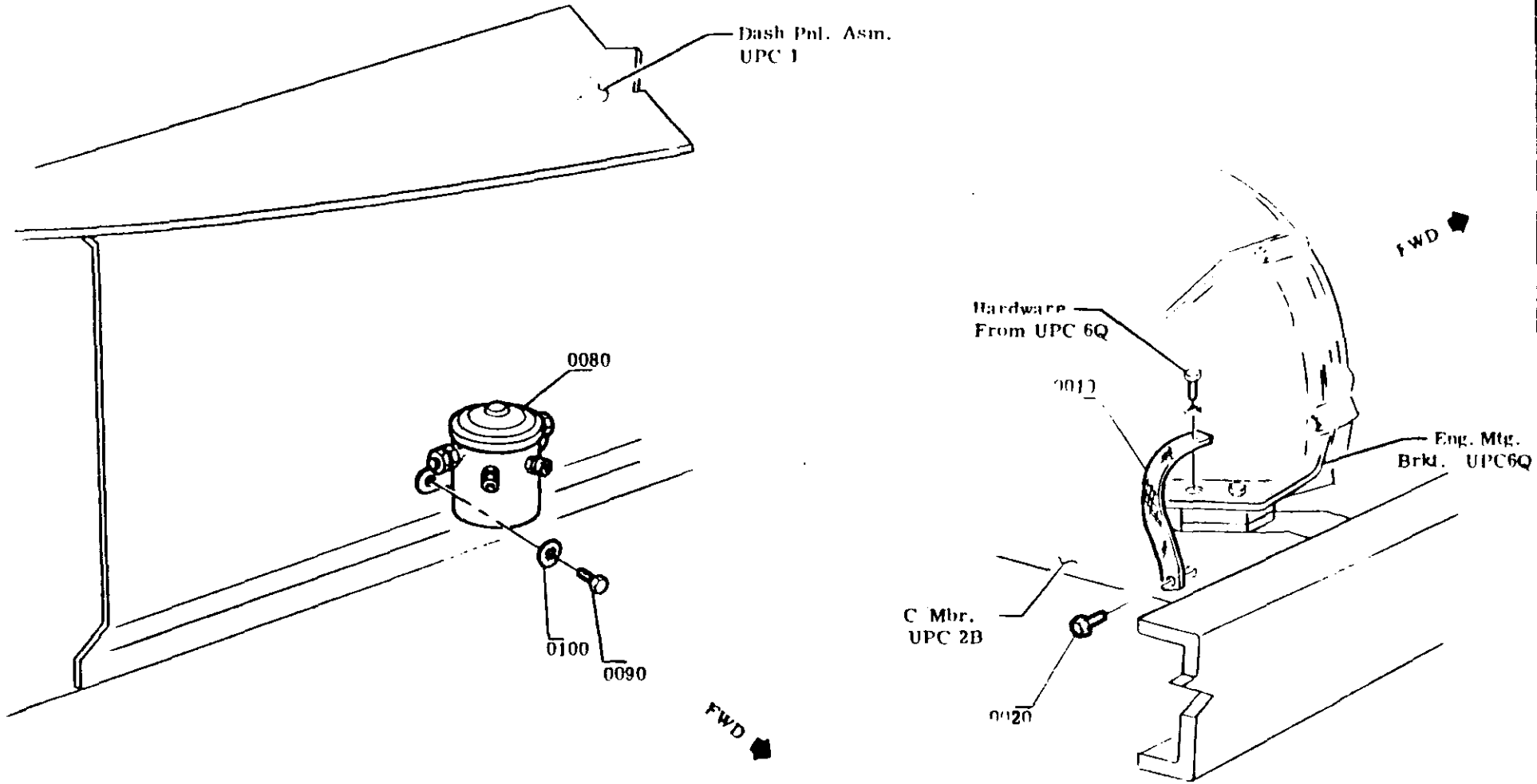


ITEM	G	PART OR TOOL DESCRIPTION	ADD L DATA	QTY	PART NUMBER	ENGINE CODES	SERIES	REV	REMARKS	ITEM RESTRICTION	DEPARTMENTS		CHANGE		LOGIC CODE	FUNCTION CODE	ADDITIONAL CODES	LINE NOS
											#1	2:STA	CD	AUTH				
0170AA		TEE RETARD HOSE		1	406026						0752	62			3917620220	M		1.56
0160AA		HOSE PORT/TEE		1	419961						0752	62			3917620225	M		1.58

F M V B S	REFERENCE	2E06XR0	MODEL YEAR 1978
		MODEL APPLICATION	ORIGIN DATE 770727
		DISTRIBUTOR	LAST CHG DATE 770922
		UPC DESCRIPTION	LAST CHG CODE 743
			70 6Y3 A 2
			BK V. P. C. QM PAGE



GMT 922 1/75



DYNAMIC (Installation) - LBS	HAZARD (Inspection) - LBS	DATE	SYM	REVISION	AUTH	DR	CR	DEPARTMENTS	78 TRUCK	BOOK 70
▲		6-12-77		ORIGINAL RELEASE	47000V				TITLE	
▲									ENGINE GROUND & MAGNETIC SWITCH ASM.	
▲									NAME/PLG.IGN. DIVISION/UPC	SHEET
▲									COIL. WIRES	6Y4
▲									SW & GFD. SIFB	2

# PRODUCT DESCRIPTION MANUAL

## ASSEMBLY INFORMATION

17 1081 REV. 8/79

GMC TRUCK & COACH

ITEM	QTY	OR TOOL DESCRIPTION	ADD'L DATA	PART NUMBER	ENGINE CODES	SERIES	REV	ITEM RESTRICTION	DEPARTMENTS		CHANGE		LOGIC CODE	FUNCTION CODE	ADDITIONAL CODES	PNA	E NOS.
									#1	2/STA	CD	AUTH					
AA0101A		SPARK PLUG WRG		L8574					0752								1.2
AA0201A		ENG E CHAS WRG		L8752			R1		0752								1.10
AA0203A		ENG E CHAS WRG		LP680			R3		0752		02106						1.10
AA0301A		ENG C TRANS MTE		L3594					0752								1.10
0010AA		STRAP ASM GRD		1 8910952					0752	68		0000680265			M		1.25
0020AA		SCREW		1 3980136					0752	69							1.25
0030AA		HARN ASM IGN		1 12002211					0752	62		0000620230			M		1.25
0050AA		RET SPLG CABLE		2 367111					0752	62		0000620235			M		1.35
0060AA		RET SPLG CABLE		1 3830786					0752	62		0000620240			M		1.35
0070AA		RET SPLG CABLE		2 8917143					0752	62		0000620245			M		1.35
0080AA		SWITCH ASM MAG		1 2257158					0782	37		0000370005			M		1.35
0090AA		BOLT MAG SW		2 180018					0782	37							1.35
0100AA		WA LK		2 120423					0782	37							1.40

ZE06X00

MODEL YEAR 1978  
 ORIGIN DATE 770728  
 LAST CHG. DATE  
 LAST CHG. CODE

MODEL APPLICATION

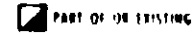
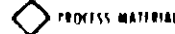
SPARK PLUGS, WIRES, IGN SWITCH & GRD STRAP

UPC DESCRIPTION

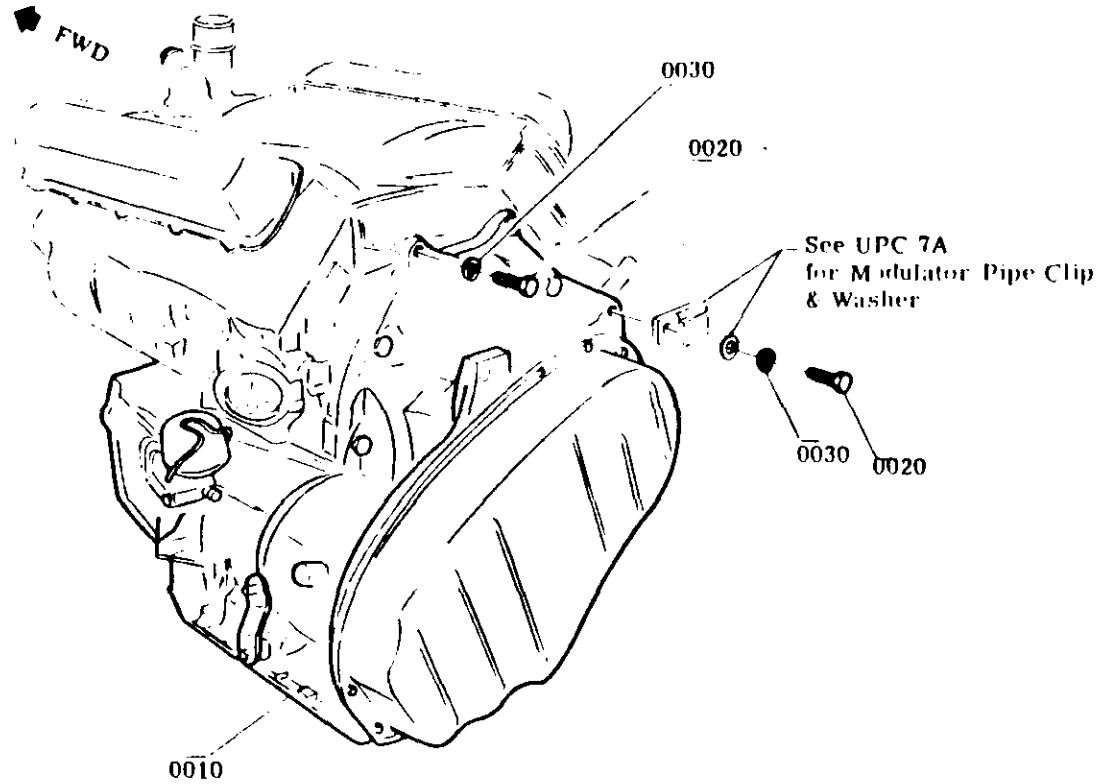
70 6Y4 A 1  
 BK V. P. C. BRP PAGE



ITEM	PART OR TOOL DESCRIPTION	ADD'l DATA	QTY	PART NUMBER	ENGINE CODES	SERIES	REV. DATE	ITEM RESTRICTION	DEPARTMENTS		CHANGE Q.D.	AUTH.	LOGIC CODE	FUNCTION CODE	ADDITION. CODES	LINE NOS.
									#1	#2						
	MVSS STD. 102 CAT. 2 TRANSMISSION SHIFT															1.8
	DUE CARE SHALL BE EXERCISED DURING THE ASSEMBLY OF TRANSMISSION SHIFT LINKAGE.															1.10
	1. THE ENGINE STARTER SHALL BE INOPERATIVE WHEN THE TRANSMISSION SHIFT LEVER IS IN A FORWARD OR REVERSE DRIVE POSITION.															1.12 1.13
	2. THE STARTER SHALL OPERATE ONLY WHEN SHIFT LEVER IS IN NEUTRAL OR PARK POSITIONS.															1.15 1.16
	PROCESS DOCUMENTATION:															1.50
	THIS PROCESS UTILIZES STANDARD TOOLS AND EQUIPMENT OF WHICH THE CAPABILITIES ARE WELL ESTABLISHED.															1.51
	APPROVED BY:	<i>James E. Kough</i>													1.53	
	DATE:	<i>9/1/77</i>													1.55	
	SYD 102 CAT. 2 TRANSMISSION	1977 POM	ZEO5XXX										MODEL YEAR 1978 ORIGIN DATE LAST CHG DATE LAST CHG CODE	70 7 S 1 BK U. P. C. GRP PAGE		
	F.M.V.B.R.	REFERENCE	MODEL APPLICATION TRANSMISSION UPC DESCRIPTION													



GMT 922 1-75



DYNAMIC (Installation) - LOS	HAND (Inspection) - LOS	DATE	SYM	REVISION	AUTH	DR	ER	DEPARTMENTS	'78 TRUCK	BOOK 70
		6/17		ORIGINAL RELEASE	17000				TITLE	
									TRANSMISSION TO ENGINE	
									NAME	
									TRANS.	
									DIVISION/UPC	
									7	
									SHEET	
									1	



# PRODUCT DESCRIPTION MANUAL

## ASSEMBLY INFORMATION

GMT 1061 REV. 5/78



ITEM	QTY	PART OR TOOL DESCRIPTION	ADD'L DATA	QTY	PART NUMBER	ENGINE CODES	SERIES	BOY BRK	ITEM RESTRICTION	DEPARTMENTS		CHANGE		LOGIC CODE	FUNCTION CODE	ADDITIONAL CODES	FNA	LINE NOS
										#1	#2/STA	CD	AUTH					
AA01014		ENG & TRANS MTG		*	L3414					0752								1.8
AA01024		INSTAL								0752								1.9
AA02014		ENG & TRANS MTG		*	L3594					0752								1.11
AA03014		ENG UPPER INSTAL		*	L3843					0752								1.13
AA04014		A/CL & TRANS		*	L6394					0752								1.15
AA04024		VAC LINES								0152								1.16
AA05014		TERM INSTL &		*	MD83876					0752								1.16
AA05024		GRDG INSTR								0752								1.19
0010AA		TRANS ASM		1	8629631					0752	61	612900000	610110					1.29
0020AA		BOLT TRANS/ENG		6	9418968					0752	61							1.31
0030AA		WA LR		6	103321					0752	61							1.33

1E06X00

MODEL APPLICATION  
TRANSMISSION  
UPC DESCRIPTION

MODEL YEAR 1978  
ORIGIN DATE 770728  
LAST CHG. DATE 771003  
LAST CHG. CODE 61290  
70 7 A 1  
PK. U. P. S. SUP. PAGE















GMT 922 1/75

**AUTOMATIC TRANSMISSION SHIFT LINKAGE REQUIREMENTS**

THE PURPOSE OF THIS REQUIREMENT IS TO ASSURE CORRECT SHIFT LINKAGE ADJUSTMENT.

1. WHEN MOVING THE SHIFT LEVER FROM PARK TO "L" (LOW) ALL TRANSMISSION DETENT POSITIONS WILL BE ATTAINABLE
2. WITH THE TRANSMISSION IN THE DRIVE DETENT, THERE WILL BE CLEARANCE (OR FREE PLAY) BETWEEN THE SHIFT LEVER AND THE DRIVE GATE.
3. WITH THE TRANSMISSION IN THE REVERSE DETENT, THERE WILL BE CLEARANCE (OR FREE PLAY) BETWEEN THE SHIFT LEVER AND THE REVERSE GATE.

**[NOTE]**

THE CLEARANCE (OR FREE PLAY) BETWEEN THE SHIFT LEVER AND DRIVE GATE SHOULD BE APPROXIMATELY EQUAL TO THE CLEARANCE (OR FREE PLAY) BETWEEN THE SHIFT LEVER AND THE REVERSE GATE. IF THERE IS NO CLEARANCE (OR FREE PLAY) AT ONE POSITION, THE ADJUSTMENT IS NOT ACCEPTABLE.

4. WITH THE KEY IN THE "ON" POSITION AND SHIFT LEVER IN REVERSE POSITION, THE KEY WILL NOT BE REMOVABLE AND THE STEERING WHEEL WILL NOT BE LOCKED.
5. WITH THE KEY IN THE "LOCK" POSITION AND SHIFT LEVER IN PARK POSITION, THE KEY WILL BE REMOVABLE. THE STEERING WHEEL WILL BE LOCKED AND THE SHIFT LEVER WILL NOT DISENGAGE PARK.

DYNAMIC (Installation) - LBS	RAWD (Inspection) LBS	DATE	SYM	REVISION	AUTH	DR	CR	DEPARTMENTS
		6/2/77		ORIGINAL RELEASE	Y1000			

<b>'78 TRUCK</b>		<b>BOOK 70</b>
TITLE		
SHIFT LINKAGE REQUIREMENTS		
NAME	DIVISION/UPC	SHEET
TRANS. EXT. CONTROLS	<b>7A</b>	<b>6</b>

# PRODUCT DESCRIPTION MANUAL

## ASSEMBLY INFORMATION

ITEM		ART OR TOOL DESCRIPTION	ADD'L DATA	QTY	PART NUMBER	ENGINE CODES	SERIES	REV	ITEM RESTRICTION	DEPARTMENTS #1	2/STA	CHANGE CD	AUTH	LOGIC CODE	FUNCTION CODE	ADDITIONAL CODES	FN.	LINE NOS
AA01014		ENG & TRANS MTG		*	L3414					0782								1.0
AA03014		LUB CHART		*	MD10298					0782								1.10
AA04014		TERM INSTAL &		*	MD83876					0782								1.11
AA04024		GRDG								0782								1.11
AA05014		403 ENG ACSRY		*	L8448					0782								1.11
AA05024		INSTL								0742								1.10
AA06014		S/LPE DN SHFT		*	L4259					0782								1.11
AA06024		INSTL								0782								1.11
AA07014		ENG & TRANS MTG		*	L3414					0754								1.21
AA09014		LUB CHART		*	MD10298					0754								1.21
AA09014		TERM INSTAL &		*	MD83876					0754								1.21
AA09024		GRDG								0754								1.21
AA10014		403 ENG ACSRY		*	L8448					0754								1.21
AA10024		INSTL								0754								1.21
AA11014		S/LPE DN SHFT		*	L4259					0754								1.21
AA11024		INSTL								0754								1.21
AA12014		ENG & TRANS MTG		*	L3414					0752								1.21
AA13014		LUB CHART		*	MD10298					0752								1.21
AA14014		TERM INSTAL &		*	MD83876					0752								1.31
AA14024		GRDG								0752								1.31
AA15014		403 ENG ACSRY		*	L8448					0752								1.31
AA15024		INSTL								0752								1.31
AA16014		S/LPE & DN SHFT		*	L4259					0752								1.31
AA16024		INSTL								0752								1.31
0010AA		LEVER TRANS SEL		1	334640					0782	45			0000	450050			1.51
0020AA		PIN SEL LVR		1	402198					0782	45							1.51
0030AA		PIPE ASM VLV		1	336484					0752	62			0000	620250			1.51
										7F05000								
										MODEL APPLICATION					MODEL YEAR 197F			
										TRANS EXTERNAL CONTROLS					ORIGIN DATE 770728			
										UPC DESCRIPTION					LAST CHG. DATE			
															LAST CHG. CODE			
															70 7A A 1			
															BK U. P. C. BRP PAGE			

103974

ITEM	QTY	DESCRIPTION	ADD'L DATA	QTY	PART NUMBER	ENGINE CODES	SERIES	BOY BRK	EM RICTION	DEPARTMENTS		CHANGE		LOGIC CODE	FUNCTION CODE	ADDITIONAL CODES	FA
										RT	2/STA	CD	AI/TH				
0040AA	1	CLIP VLV PIPE		1	392949				0752	62			0000	620255			1.57
0050AA	1	WASHER		1	9421042				0752	62							1.59
0060AA	1	HS MOD V/PP		1	326560				0752	62			0000	620260			2.2
0070AA	1	HOSE TRANS VAC		1	417226				0752	62			0000	620265			2.4
0080AA	1	CONN HOSE		1	413505				0752	62			0000	620270			2.5
0090AA	1	REDUCER		1	444024				0752	62			0000	620275			2.8
0110AA	1	CPL TPNS CONT		1	693208				0752	68			0000	680070			2.10
0120AA	1	ADAPTER		1	693124				0782	45			0000	450055			2.14
0130AA	1	WASHER		1	131016				0782	45							2.14
0140AA	1	NUT 40250 FT LBS		1	9422285				0782	45							2.16
0150AA	1	WASHER ADAPT		1	120392				0754	88							2.18
0160AA	1	PIN ADAPT		1	103361				0754	88							2.20
0170AA	1	BRKT TRANS CONT		1	693061				0782	38			0000	380105			2.22
0180AA	2	PLT TRANS CONT		2	126216				0782	38							2.22
0190AA	2	WASHER		2	9418304				0782	38							2.26
0195AA	2	WA LK		2	103320				0782	38							2.28
0200AA	2	NUT CPL BRKT		2	9417954				0782	38							2.30
0210AA	1	LVR CONT RLY		1	408500				0752	68			0000	680075			2.32
0220AA	1	WASHER		1	120392				0752	68							2.34
0230AA	1	PIN		1	103361				0752	68							2.36
0240AA	2	BUSHING		2	9776302				0752	68			0000	680080			2.38
0250AA	1	RETAINER		1	3788262				0752	68			0000	680085			2.40
0260AA	1	RETAINER		1	1351765				0752	68			0000	680090			2.42
0270AA	1	BRKT RLY LVR		1	693068				0752	68			0000	680095			2.44
0280AA	2	SCREW		2	9422176				0752	68							2.46

7F05000

MODEL YEAR 1976  
 ORIGIN DATE 770728  
 LAST CHG. DATE  
 LAST CHG. CODE

MODEL APPLICATION  
 TRANS EXTERNAL CONTROLS  
 UPC DESCRIPTION

70 7A A 2  
 BK U. P. C. BNP PAGE





# PRODUCT DESCRIPTION MANUAL

GMT 1081 REV 5/75

GM TRUCK & COACH

## ASSEMBLY INFORMATION

ITEM NO	PART OR TOOL DESCRIPTION	ADD'L DATA	QTY	PART NUMBER	ENGINE CODES	SERIES	BODY BRK	ITEM RESTRICTION	DEPARTMENTS #1	2. STA	CD	CHANGE AUTH	LOGIC CODE	FUNCTION CODE	ADDITIONAL CODES	FNA	LINE NOS																	
0290AA	STRUT		1	712326					0752	68			0000680100				2.48																	
0300AA	BOLT		2	9417950					0752	68							2.50																	
0300AA	95:155 IN LBS								0752	68							2.51																	
0310AA	WASHER		2	9422275					0752	68							2.53																	
0320AA	WASHER		2	9418304					0752	68							2.54																	
0330AA	SPRING		2	334961					0752	68			0000680105				2.58																	
0340AA	CLIP		2	2399079					0754	68			0000886060				3.1																	
0350AA	BOLT		2	9419004					0754	68							3.3																	
0360AA	WA LR		2	103319					0754	68							3.5																	
0370AA	NUT		2	9419912					0754	68							3.7																	
0380AA	BRACKET		2	2453499					0782	50			0000500075				3.9																	
0390AA	BOLT		2	9419006					0782	50							3.11																	
0400AA	WA LR		2	103319					0782	50							3.13																	
0410AA	ICE NUT		2	693207					0782	43			0000430105				3.15																	
0420AA	ADAPTER		1	693123					0752	68			0000680110				3.17																	
0430AA	NUT 95:145 IN LB		1	9422275					0752	68							3.19																	
0440AA	PIN		1	103372					0752	68							3.21																	
0450AA	ROD CONT RLY		1	712157					0752	68			0000680115				3.23																	
0460AA	CLAMP		1	1385607					0752	68			0000680120				3.25																	
0470AA	SCREW		1	3989433					0752	68							3.27																	
0470AA	17:23 FT LBS								0752	68							3.28																	
0480AA	WASHER		1	3989434					0752	68							3.30																	
0490AA	WASHER		1	9418304					0752	68							3.32																	
0500AA	GREASE		*	9985009					0752	68							3.34																	
0510AA	LUBRICANT		*	9985009					0752	68							3.36																	
<table border="1" style="width:100%; border-collapse: collapse;"> <tr> <td style="width: 40%;"></td> <td style="width: 30%; text-align: center;">7E0500</td> <td style="width: 30%; text-align: right;">MODEL YEAR 1976</td> </tr> <tr> <td></td> <td></td> <td style="text-align: right;">ORIGIN DATE 770728</td> </tr> <tr> <td></td> <td></td> <td style="text-align: right;">LAST CHG. DATE</td> </tr> <tr> <td></td> <td></td> <td style="text-align: right;">LAST CHG. CODE</td> </tr> <tr> <td></td> <td style="text-align: center;">MODEL APPLICATION TRANS EXTERNAL CONTROLS</td> <td style="text-align: right;">70 7A A 3</td> </tr> <tr> <td></td> <td style="text-align: center;">UPC DESCRIPTION</td> <td style="text-align: right;">BK U. P. C. OMP PAGE</td> </tr> </table>																		7E0500	MODEL YEAR 1976			ORIGIN DATE 770728			LAST CHG. DATE			LAST CHG. CODE		MODEL APPLICATION TRANS EXTERNAL CONTROLS	70 7A A 3		UPC DESCRIPTION	BK U. P. C. OMP PAGE
	7E0500	MODEL YEAR 1976																																
		ORIGIN DATE 770728																																
		LAST CHG. DATE																																
		LAST CHG. CODE																																
	MODEL APPLICATION TRANS EXTERNAL CONTROLS	70 7A A 3																																
	UPC DESCRIPTION	BK U. P. C. OMP PAGE																																

F M V S S

REFERENCE

PRODUCT DESCRIPTION MANUAL

ASSEMBLY INFORMATION

GMT 1001 REV. 9/76

ONE TRUCK & COACH

ITEM	SEQ	PK	ART OR TOOL DESCRIPTION	ADD'L DATA	QTY	PART NUMBER	M O D	ENGINE CODES	SERIES	BOY BAW	ITEM RESTRICTION	DEPARTMENTS		CHANGE		LOGIC CODE	FUNCTION CODE	ADDITIONAL CODES	FNA	LINE NOS			
												#1	2/STA	CO	AUTH								
0520AA			SWITCH ASM			124210						0782	42			0000	420280				3-34		

F.M.V.S.S.

REFERENCE

ZF05000

MODEL APPLICATION  
TRANS EXTERNAL CONTROLS  
UPC DESCRIPTION

MODEL YEAR 1978  
ORIGIN DATE 770728  
LAST CHG. DATE  
LAST CHG. CODE  
70 7A A 4  
BK V. P. C. SHP PAGE





# PRODUCT DESCRIPTION MANUAL

## ASSEMBLY INFORMATION

GMT 1081 REV 8/78

GEN. TRUCK & COACH

ITEM	PART OR TOOL DESCRIPTION	ADD'L DATA	QTY	PART NUMBER	ENGINE CODES	SERIES	BODY BRG	ITEM RESTRICTION	DEPARTMENTS		CHANGE		LOGIC CODE	FUNCTION CODE	ADDITIONAL CODES	LINE NOS
									#1	2/61A	CD	AUTH				
AA01AA	ENGL TRANS MT	INST	*	L3414					0752						99501	1.8
AA02AA	ENGL TRANS MT	INST	*	L3594					0752						99501	1.10
AA03AA	LUB CHT INSTL		*	MO10298					0752						99504	1.12
0010AA	BOLT, TRANS-F-W		3	3987930					0752	62					00100	1.14
0020AA	PLUG, TRANS CASE		1	390042					0752	62					00200	1.16
0030AA	COVER, FLYWHL		1	389750					0752	62		0000620435		M00300	1.18	
0040AA	BOLT, HSG-TRANS		4	188125					0752	62					00400	1.20
0050AA	FLUID, AUTO TRANS		*	9985252					0752	74					00750	1.22

1 2 3 4 5 6 7 8 9 10	ZE05000										MODEL YEAR 1978					
											ORIGIN DATE 770819					
											LAST CHG. DATE 770929					
											LAST CHG. CODE					
MODEL APPLICATION										70 7B2A A 1						
TRANS CASE, F/W HSGERR BRG RETNR										BK. U. P. C. QRP PAGE						
UPC DESCRIPTION																
REFERENCE																





# PRODUCT DESCRIPTION MANUAL

## ASSEMBLY INFORMATION

GMT 1061 REV. 5/78

GM TRUCK &amp; COACH

ITEM #	E	PART OR TOOL DESCRIPTION	ADD'L DATA	QTY	PART NUMBER	ENGINE CODES	SERIES	BODY DRW	ITEM RESTRICTION	DEPARTMENTS		CHANGE		LOGIC CODE	FUNCTION CODE	ADDITIONAL CODES	LINE NOS
										#1	2/STA	CD	AUTH				
AA02014		TERM INSTAL & GRDG			MD83876					0752							1.8
AA02024										0752							1.9
AA03014		403 ENG ACSRY INSTL			L8448					0752							1.11
AA03024										0752							1.12
00100AM		PIPE ASM FEED		1	2017900					0752	62			0000620440			1.14
00200AM		PIPE ASM RETN		1	2017898					0752	62			0000620445			1.21
00300AM		LOOM RETN PIPE		2	2275910					0752	62			0000620450			1.23
00400AM		LOOM RETN PIPE		2	2275910					0752	62			0000620455			1.25
00500AM		CLIP		1	2307318					0752	62			0000620460			1.27
00600AM		CLIP		1	711238					0752	69			0000690100			1.29
00700AM		SCREW		1	9419727					0752	89						1.31

ZE06X00

MODEL YEAR 1978  
 ORIGIN DATE 770728  
 LAST CHG. DATE 770929  
 LAST CHG. CODE

MODEL APPLICATION  
 TRANS OIL COOLING SYSTEM  
 UPC DESCRIPTION

70 786 A 1  
 BK. V. P. C. SHP. PAGE

REFERENCE

F M V B B



GMT 922 1/75

UPC 8A - FUEL TANK, MOUNTINGS AND TANK GAGE UNIT

<u>Sht.:</u>	<u>Title:</u>	<u>Restrictions:</u>
1	Sender Asm. to Fuel Tank	
2	Fuel Tank Asms. to Frame & Exhaust Heat Shields	
3	Filler Pipe	
4	Filler Pipe Clamping	
5	Filler Pipe Clamping	
6	Vent Hose to Engine	
7	Vent Hose	
8	Limiter Hose	

UPC 8B - FUEL LINES

1	Front Fuel Lines	
2	Rear Fuel Lines	
3	Fuel Lines & Selector Valve	

(AUDIT)  
8A - 8  
8B - 3  
8C - 3  
8D - 6

UPC 8C EXHAUST PIPE, MUFFLER & MUFFLER TAIL PIPE

1	Exhaust & Tail Pipe	
2	Front Tail Pipe & Hanger	
3	Exhaust at Crossmembers	

UPC 8D - EVAPORATIVE EMISSION CONTROL SYSTEM

<u>Sht.:</u>	<u>Title:</u>	<u>Restrictions:</u>
1	Tube Routing-----	RPO NA9
2	Tube Routing-----	RPO NA9
3	Tube Routing-----	RPO NA9
4	Tube Routing-----	RPO NA9
5	Evaporative Emission System-----	RPO NA9
6	Heat Shields-----	RPO NA9

PREPARED (Installation) - (L)	INSPECTED (Inspection) - (L)	DATE	SYM	REVISION	AUTH	DR	CR	DEPARTMENTS	TRUCK	BOOK
▲ ▲ ▲ ▲ ▲		7.8.77		ORIGINAL RELEASE	ADAM			R THOMPSON	70	70
		4.3.77	1	UPC 8D REVISED	6038					
TITLE									INDEX	
FUEL TK. & EXHAUST SYSTEM									8	A

# PRODUCT DESCRIPTION MANUAL

## ASSEMBLY INFORMATION

DMT 1061 REV. 9/76

ENGINE TRUCK & COACH

ITEM	SEQ	PART OR TOOL DESCRIPTION	ADD'L DATA	QTY	PART NUMBER	ENGINE CODES	SERIES	BOX OR	ITEM RESTRICTION	DEPARTMENTS		CHANGE		LOGIC CODE	PART. FROM CODE	ADDITIONAL CODES	LTA	LINE NOS
										1	2/STA	CD	AUTH					
		EMISSIONS CAT. 2 FUEL SYSTEM																1.9
		DUE CARE MUST BE EXERCISED BY PERSONNEL INVOLVED IN THE HANDLING AND INSTALLATION OF THE FUEL SYSTEM TO AVOID DAMAGE AND TO ASSURE CORRECT AND SECURE INSTALLATION WITH NO LEAKS WHICH COULD AFFECT THE EMISSIONS COMPLIANCE OF THE VEHICLE.																
		PROCESS DOCUMENTATION:																1.32
		THIS PROCESS UTILIZES STANDARD TOOLS AND EQUIPMENT OF WHICH THE CAPABILITIES ARE WELL ESTABLISHED.																
		APPROVED BY:	<i>James E. Pugh</i>															1.37
		DATE:	9/15/77															1.39

EMISSIONS CAT. 2 FUEL SYSTEM	1977 PRODUCTION	ZE05XXX	MODEL YEAR 1978
			ORIGIN DATE 9-2-77
			LAST CHG. DATE
			LAST CHG. CODE
			TO 8 S1 1
			BY U. P. C. SW PAGE

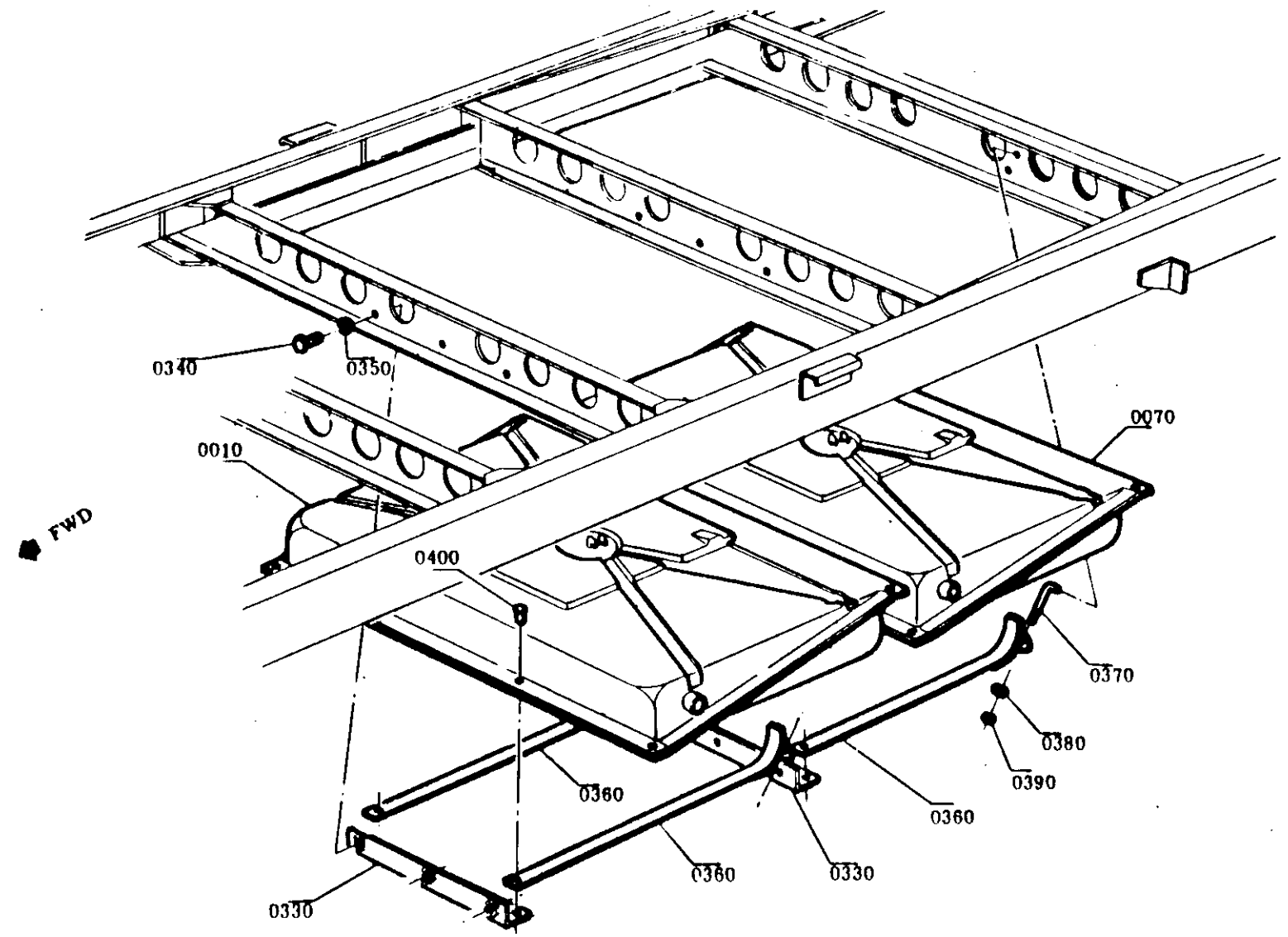
MODEL APPLICATION  
FUEL SYSTEM  
UPC DESCRIPTION

REFERENCE





GMT 922 1-73

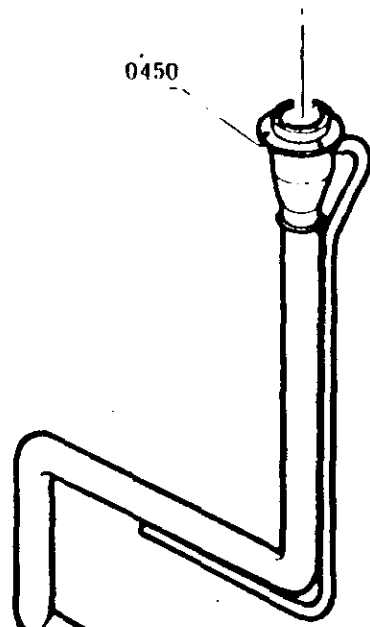


SYMBOL	DESCRIPTION	DATE	BY	CHK	DEPARTMENT	BOOK	SHEET
▲	ORIGINAL RELEASE					78 TRUCK	2
						FUEL TANK ASMS. TO FRAME & EXHAUST	
						HEAT SHIELDS	
						NAME FUEL TK. DIVISION	8A
						MTG. & TANK GAGE UNIT	2

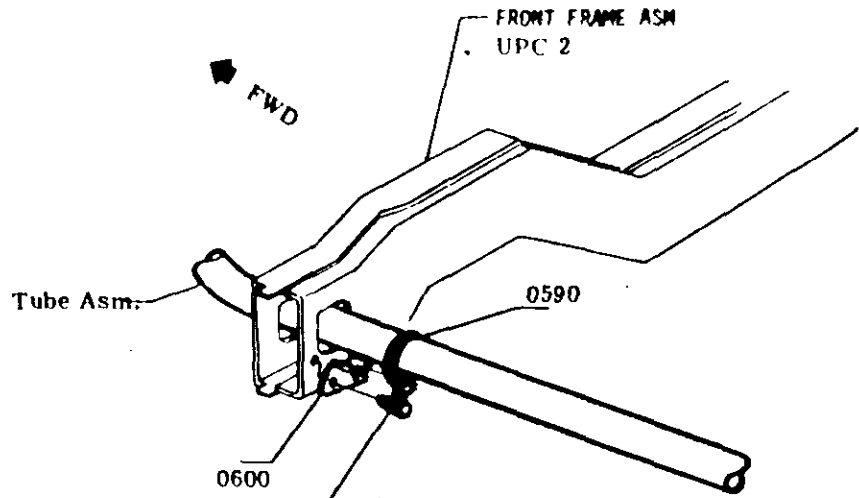


ITEM REFERENCE    PROCESS MATERIAL    TOPGUN    PART OF OR EXISTING

GMT 922 1-73

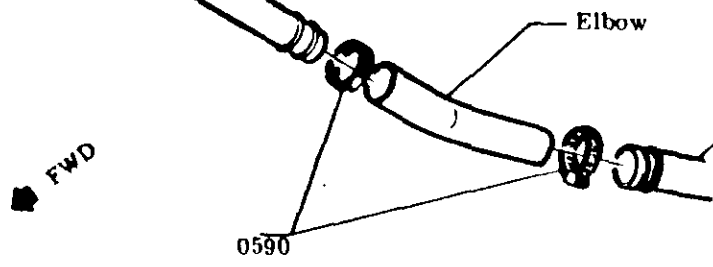


0450

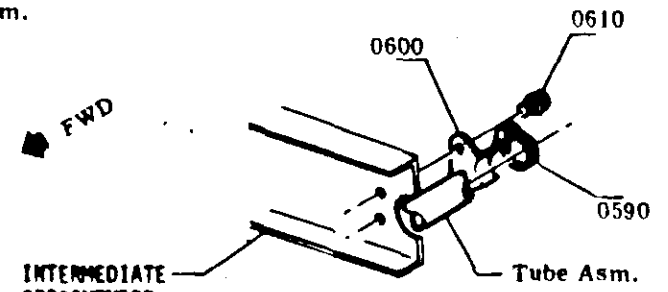


FRONT FRAME ASM.  
UPC 2

**VIEW B**  
From sht. 3



**VIEW A**  
From sht. 3



INTERMEDIATE CROSSMEMBER  
UPC 2

**VIEW C**  
From sht. 3

**NOTE** INSTALL ALL HOSE CLAMPS SO AS TO BE SERVICEABLE FROM THE BOTTOM

BY/CHK (Installation)-LPS	NAME (Inspection)-LPS	DATE	SYM	REVISION	AUTH	DR	CR	DEPARTMENTS	TRUCK	BOOK
				ORIGINAL RELEASE	476cc	J. J. J.			78	70

▲  
▲  
▲  
▲

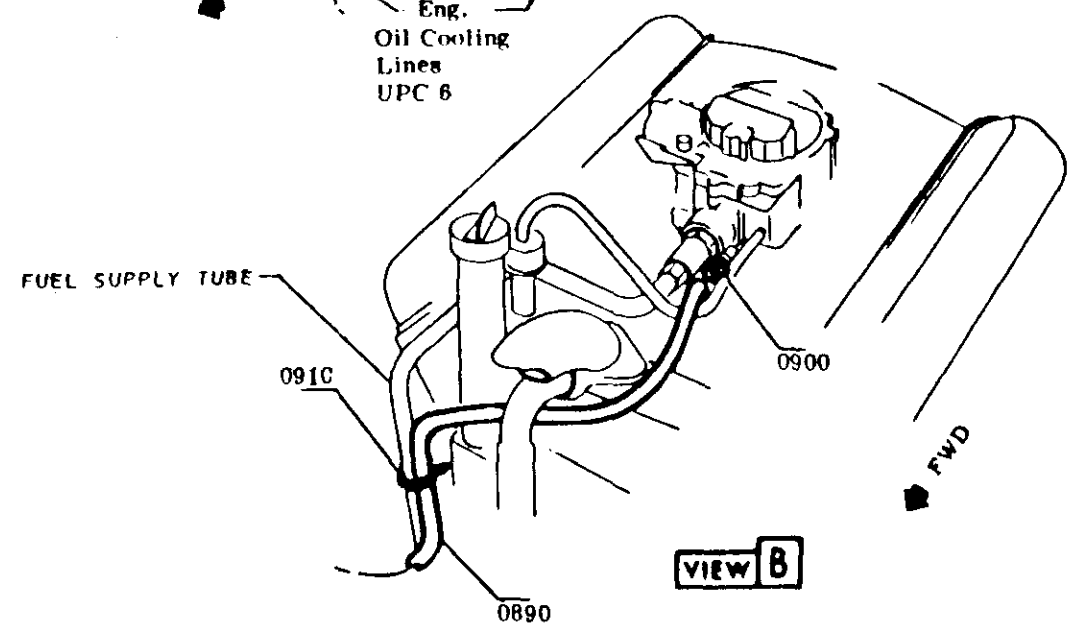
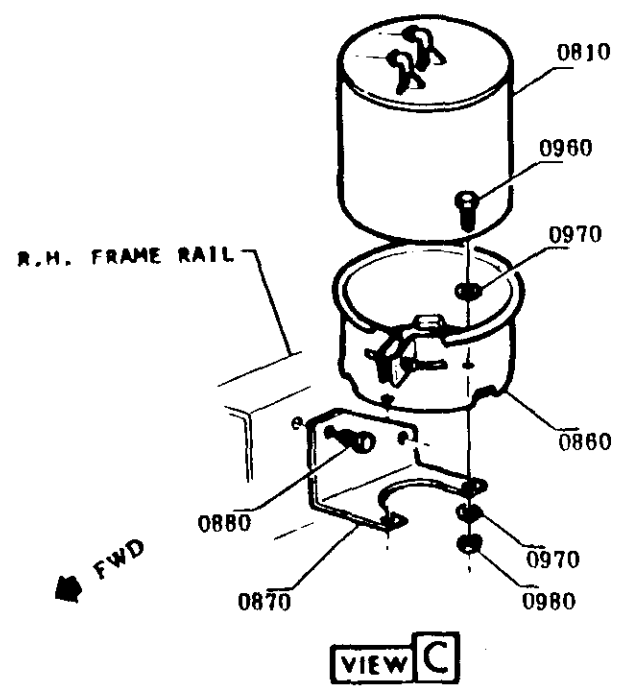
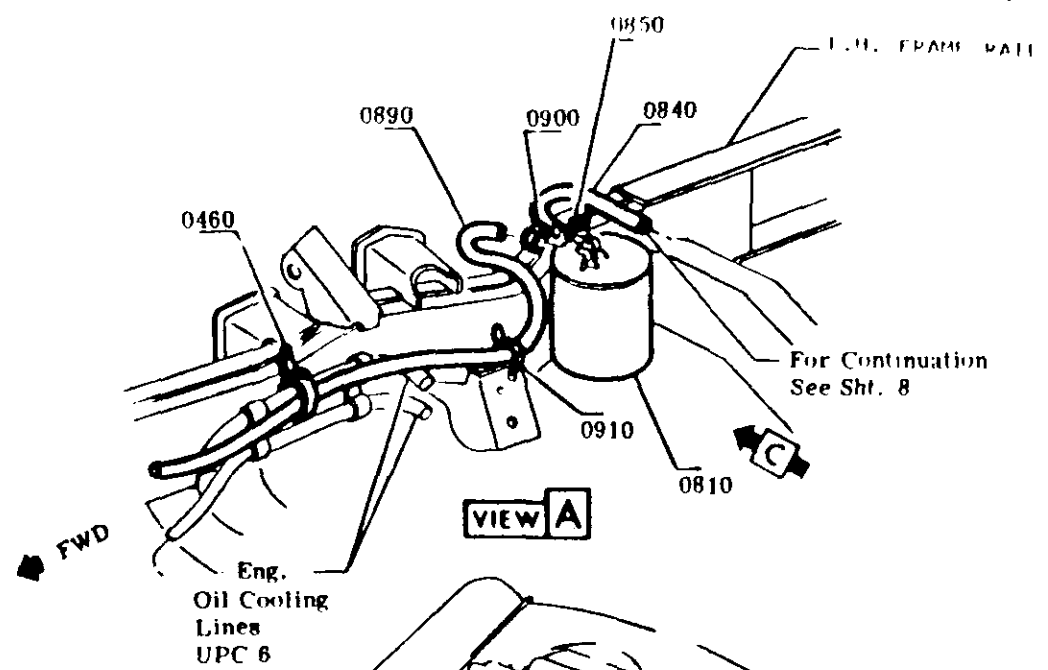
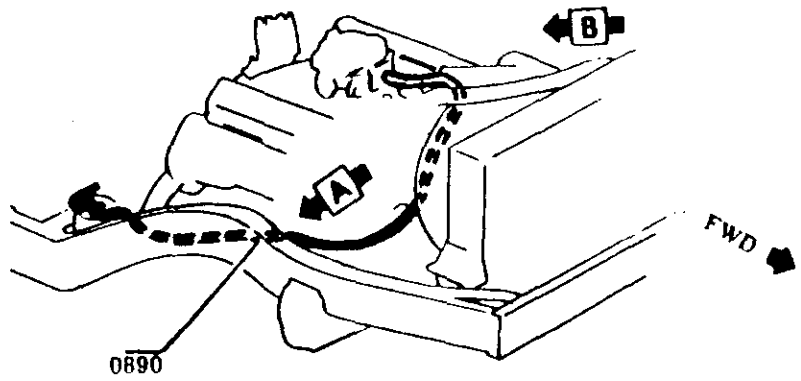
**TITLE**  
FILLER PIPE CLAMPING

MAIN FUEL TK. DIVISION SHEET  
MTG. & TK. 8A 4  
GAGE UNIT



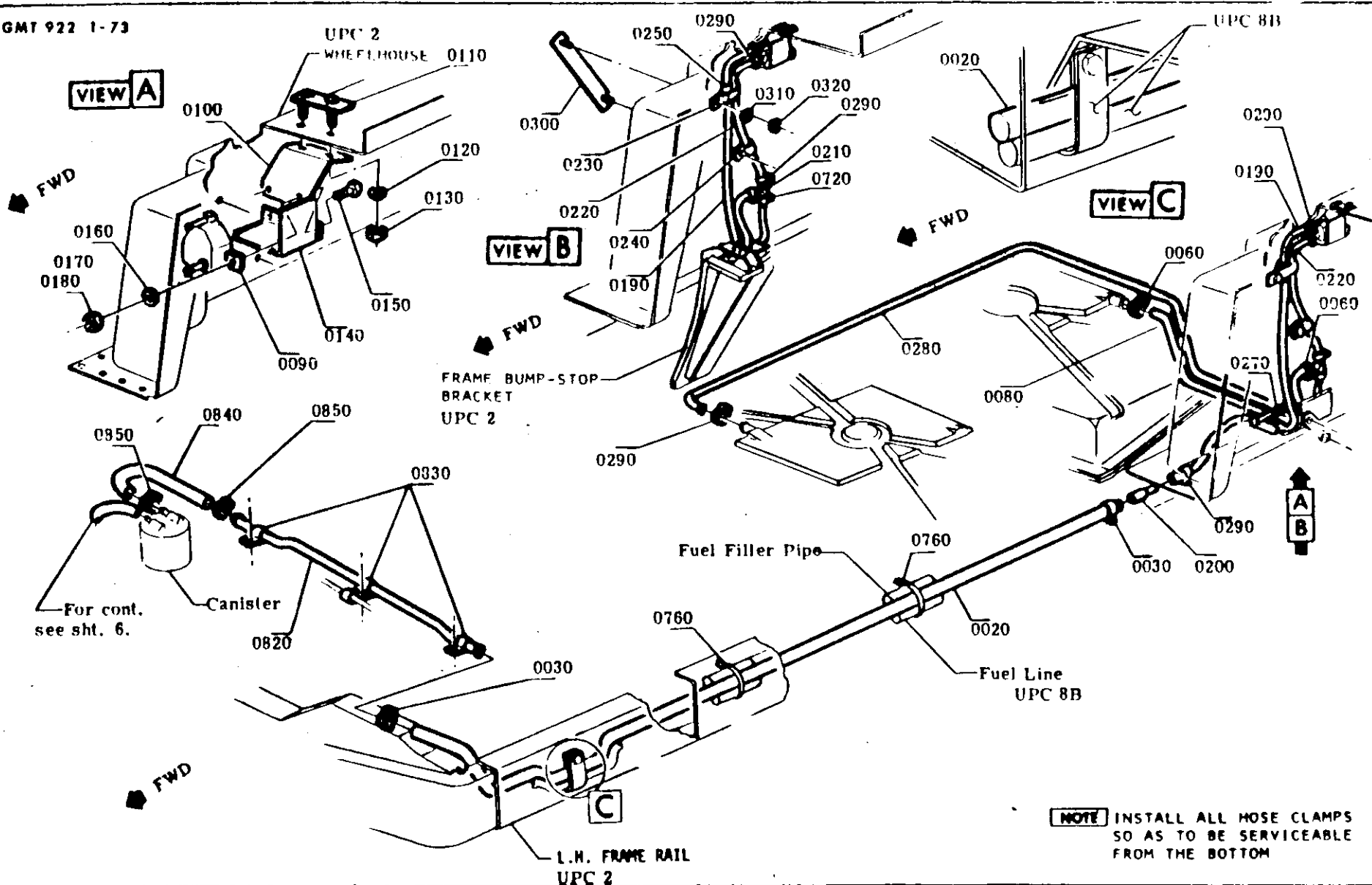
□ ITEM REFERENCE    ◇ PROCESS MATERIAL    ▲ TORQUE    ▣ PART OF OR EXISTING

GMT 922 1-73



BY	DATE	SYN	REVISION	AUTH	DR	CR	DEPARTMENTS	TRUCK	BOOK
DYNAMIK (Installation)-LBS	12-17		ORIGINAL RELEASE	42000			TRIMPSON	78	70
HAND (Inspection)-LBS									
▲									
▲									
▲									
▲									
TITLE								VENT HOSE TO ENGINE	
BASE FUEL TK. MTG. & TANK GAGE UNIT								8A	6

GMT 922 1-73



BY/CHK (Installation)-LBS	INS/CHK (Inspection)-LBS	DATE	SYM	REVISION	AUTH	DR	ES	DEPARTMENTS
▲	▲	2-77		ORIGINAL RELEASE	4700			THOMPSON

970 TRUCK BOOK 70

TITLE

VENT HOSE

FUEL TK.  
MTG. & TANK  
GAGE UNIT

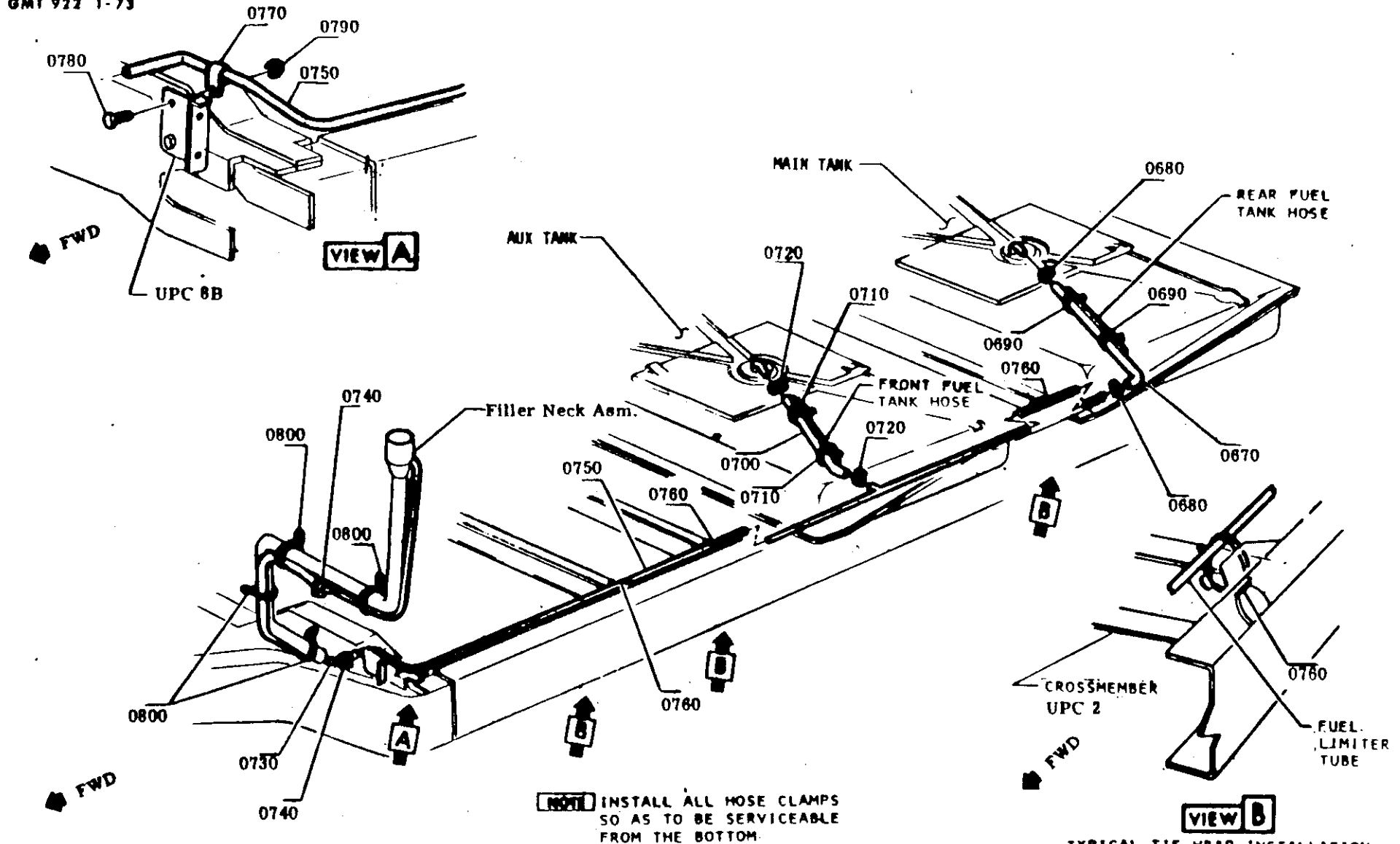
DIVISION

8A

SHEET

7

GMT 922 1-73



SYMBOL	DATE	SYN	REVISION	APPR	BY	CR	DEPARTMENT	TRUCK	BOOK
△	2/77		ORIGINAL RELEASE	JT	2		THOMPSON	78	70
△									
△									
△									
△									
△									

**TITLE**  
LIMITER HOSE

**UNIT**  
8A

**SHEET**  
8

**TRUCK** 78 **BOOK** 70

**FUEL TK. MTG. & TANK GAGE UNIT**



LT	PART OR TOOL DESCRIPTION	ADDL DATA	QTY	PART NUMBER	M O D	ENGINE CODES	SW RHC	BOY RINK	ITEM RESTRICTION	DEPARTMENTS		CHANGE AUTH	LOGIC CODE	FUNCTION CODE	ADDITIONAL CODES	NA	LINE NOS
										#	STA						
AAAC024	FUEL SYS PRESS			* MD11701						0784							1.8
AAAC024	TEST INSTAL									0784							1.9
AAU024	VENT HOSE INSTAL			* L4275						0784							1.1
AAU024	FUEL TANK			* L5943						0784							1.1
AAU024	AIR LINES/RR			* L6605						0784							1.15
AAU024	SUSP INSTAL									0784							1.16
AAU5024	FUEL SYS PRESS			* MD11701						0754							1.18
AAU5024	TEST INSTAL									0754							1.18
AAU6024	VENT HOSE INSTAL			* L4275						0754							1.21
AAU7024	FUEL TANK			* L5943						0754							1.23
AAU7024	AIR LINES/RR			* L6605						0754							1.24
AAU7024	SUSP INSTAL									0754							1.26
AAU8024	FUEL SYS PRESS			* MD11701						0752							1.28
AAU8024	TEST INSTAL									0752							1.29
AAU9024	VENT HOSE INSTAL			* L4275						0752							1.31
AAU9024	FUEL TANK			* L5943						0752							1.33
AAU9024	AIR LINES/RR			* L6605						0752							1.35
AAU9024	SUSP INSTAL									0752							1.36

1 2 3 4 5 F.M.V.B.	REFERENCE	ZE05000	MODEL YEAR 1978
			ORIGIN DATE
			LAST CHG. DATE
			LAST CHG. CODE
		MODEL APPLICATION FUEL TANK MOUNTING & TANK GAGE UNIT UPC DESCRIPTION	70 8A A 1 BK V. P. C. SNR PAGE

# PRODUCT DESCRIPTION MANUAL

## ASSEMBLY INFORMATION

GMT 1081 REV. 8/78

GMC TRUCK & COACH

ITEM	QTY	PART OR TOOL DESCRIPTION	ADD L DATA	QTY	PART NUMBER	ENGINE CODES	SERIES	BODY BRK	ITEM RESTRICTION	DEPARTMENT		CHANGE		LOGIC CODE	FUNCTION CODE	ADDITIONAL CODES	FNA	LINE NOS
										#1	2/STA	CD	AUTH					
0010AA		FUEL TANK FRT		1	695642					0752	79			0000	790005			1.38
0020AA		HOSE PIPE FRT		1	9436230					0752	77			0000	770100			1.40
0030AA		CLAMP ASM		2	2494772					0752	77			0000	770105			1.42
0040AA		CLIP		1	120523					0752	77			0000	770110			1.44
0050AA		SCREW		1	9420695					0752	77							1.46
0060AA		CLAMP ASM		2	2494772					0752	77			0000	770115			1.48
0070AA		FUEL TANK RR		1	698779					0752	79			0000	790010			1.50
0080AA		HS R/TR-STND PP		1	9432846					0752	77			0000	770120			1.52
0090AA		SEPARATOR ASM		1	7028035					0752	77			0000	770125			1.54
0100AA		BRKT LOD MTG		1	718122					0752	77			0000	770130			1.56
0110AA		PLT LOD BRKT MTG		1	694606					0784	65			0000	655130			1.58
0120AA		WASHER		2	9419892					0754	87							2.1
0130AA		NUT		2	9422275					0754	87							2.3
0140AA		SHIELD		1	717417					0752	77			0000	770135			2.5
0150AA		SCREW		2	9413575					0752	77							2.7
0160AA		WASHER		2	9419892					0752	77							2.9
0170AA		WA LK		2	125774					0752	77							2.11
0180AA		NUT		2	121743					0752	77							2.13
0190AA		HS LOD SEP-CAN		1	9432754					0752	77			0000	770140			2.15
0200AA		UNION		1	1099429					0752	77			0000	770145			2.17
0210AA		TEE		1	327220					0752	77			0000	770150			2.19
0220AA		HS TEE-REP		1	9432815					0752	77			0000	770155			2.21
0230AA		CLIP		1	2390135					0754	87			0000	870080			2.23
0240AA		CLIP		1	2381321					0754	87			0000	870085			2.25

	7E0 5000	MODEL YEAR 1978
	MODEL APPLICATION	ORIGIN DATE
	FUEL TANK MOUNTING & TANK GAGE UNIT	LAST CHG. DATE
	UPC DESCRIPTION	LAST CHG. CODE
		70 PA A 2
		BK U. P. C. GPP PAGE

1003485-

QTY	PART OR TOOL DESCRIPTION	ADDITIONAL DATA	PART NUMBER	ENGINE CODES	REV.	POY	ITEM DESCRIPTION	QTY	UNIT	ORIGIN	DATE	CHG. CODE	REVISION
1	HOOD		2261661					0752	18				
1	FIELD VENT HSL		115866					0752	18			000075008	
1	STRAP		0811979					0752	18			0000100160	
1	HOSE		9434231		65			0752	18			0000100165	
1	HOSE		9434230		60			0752	18			0000175175	
2	CLAMP ASM		2496112					0752	18			0000100170	
1	PLATE ASM		705649					0752	65			0000055115	
2	WASHER		103319					0754	18				
2	NUT		9419912					0754	18				
2	BRKT ASM		701381					0752	79			0000120015	
6	BOLT		9418822					0752	79				
6	WASHER		103320					0752	79				
4	STRAP ASM		695648					0752	79			0000790020	
4	BOLT		701319					0752	79				
4	WASHER		103321					0752	79				
4	NUT		9437796					0752	79		01320		
4	RIVET		752193					0752	79				
2	SCREW ASM		6429128					0752	79			0000790025	
9	CONPLUND		0860779					0752	79				
2	PAN		413899					0752	79			0000790030	
2	GASKET		3093116					0752	79			0000790035	
1	NECK ASM		717958					0762	41			0000410235	
1	PAN WRAP		657558					0754	18			0000000065	
1	GASKET		720017					0762	41			0000410235	
1	SEAL		719206					0762	41			0000410250	

2E05000

MODEL YEAR IS 71  
 ORIGIN DATE 1707.5  
 LAST CHG. DATE 771008  
 LAST CHG. CODE 01000  
 70 LA A 3  
 BK U. P. C. GHP PAGE

MODEL APPLICATION  
 FUEL TANK MOUNTING & TANK GAGE UNIT  
 UPC DESCRIPTION

REFERENCE

ITEM	SEQ	QTY	PART OR TOOL DESCRIPTION	ADD'L DATA	QTY	PART NUMBER	QTY	ENGINE CODES	SERIES	BODY BRK	ITEM RESTRICTION	DEPARTMENTS		CHANGE		LOGIC CODE	FUNCTION CODE	ADDITIONAL CODES	FNA	REF NOS	
												#1	2/STA	CD	AUTH						
0490AA			ADHESIVE			9981098						0782	41								3.1
0500AA			PIVET			716846						0782	41								3.1
0510AA			STRAP			676543						0782	41			0000	410245				3.2
0520AA			CLIP			667638						0782	41			0000	410250				3.2
0530AA			SPACER			3936971						0782	41			0000	410255				3.2
0540AA			WASHER			3767139						0782	41								3.2
0550AA			SCREW			9422176						0782	41								3.2
0560AA			CLAMP ASM			2494772						0782	41			0000	410260				3.3
0570AA			TUBE ASM			717957		65				0752	77			0000	770175				3.3
0570AC			TUBE ASM			717956		60				0752	77			0000	770175				3.3
0580AA			ELBOW			717952						0752	77			0000	770180				3.3
0590AA			CLAMP ASM			2337379						0752	77			0000	770185				3.3
0600AA			BRACKET			717953		65				0752	77			0000	770190				3.4
0600AC			BRACKET			717953		60				0752	77			0000	770190				3.4
0610AA			SCREW			9422232		65				0752	77								3.4
0610AC			SCREW			9422232		60				0752	77								3.4
0620AA			HOSE			717954						0782	41			0000	410265				3.4
0630AA			CLAMP ASM			2337379						0782	41			0000	410270				3.4
0640AA			CLAMP ASM			2471945		65				0752	77			0000	770195				3.5
0640AC			CLAMP ASM			2471945		60				0752	77			0000	770195				3.5
0650AA			ELBOW			717979						0752	77			0000	770200				3.5
0660AA			CLAMP ASM			2337379						0752	77			0000	770205				3.5
0670AA			MS LIMITER RR			9432933						0752	77			0000	770210				3.5
0680AA			CLAMP ASM			2494772						0752	77			0000	770215				3.5
0690AA			STRAP			8877976						0752	77			0000	770220				4.6
0700AA			MS LIMITER FRT			9432930						0752	77			0000	770225				4.6
0710AA			STRAP			8877976						0752	77			0000	770230				4.6

7E0 5000

MODEL APPLICATION  
FUEL TANK MOUNTING & TANK GAGE UNIT  
UPC DESCRIPTION

MODEL YEAR 197E  
ORIGIN DATE  
LAST CHG. DATE  
LAST CHG. CODE  
70 PA A 4  
BK U. P. C. GRP PAGE



ITEM NO.	PART OR TOOL DESCRIPTION	ADD'L DATA	QTY	PART NUMBER	A.O.D.	ENGINE CODES	SERIES	BODY BRK	ITEM RESTRICTION	DEPARTMENTS		CHANGE CD	AUTH	LOGIC CODE	FUNCTION CODE	ADDITIONAL CODES	LINE NOS
										ST	2/STA						
0720AA	CLAMP ASM		2	2494772						0752	77			0000	770235	M	4.8
0730AA	MS LIMITER FRT		1	9436489						0752	77			0000	770240	M	4.10
0740AA	CLAMP ASM		2	2484908						0752	77			0000	770245	M	4.12
0750AA	TR LIMITER		1	796688			65			0752	77			0000	770250	M	4.14
0750AC	TR LIMITER		1	796689			60			0752	77			0000	770250	M	4.15
0760AA	STRAP		3	8877974			65			0752	77			0000	770255	M	4.17
0760AC	STRAP		2	8877974			60			0752	77			0000	770255	M	4.18
0770AA	CLIP		1	674904						0752	77			0000	770260	M04995	4.20
0780AA	BOLT		1	9419004						0752	77					05000	4.22
0790AA	NUT		1	271178						0752	77					05005	4.24
0800AA	STRAP		11	878543						0752	77			0000	770265	M05010	4.26
0810AA	CANNISTER, VAPOR		1	7078131				-NA9		0752	67	60398	70056	70180		M05015	4.28
0820AA	TS V/CAN-F/TNK		1	899789						0752	67			0000	670185	M05020	4.30
0830AA	CLIP		3	2436115						0752	67			0000	670190	M05025	4.32
0840AA	HC V/CAN TE		1	9412814				-NA9		0752	67			70056	670195	M05030	4.34
0850AA	CLAMP ASM		2	2494772						0752	67			0000	670200	M05035	4.36
0860AA	BKKT VAPOR CAN		1	408174						0752	67			0000	670205	M05040	4.38
0870AA	BKKT V/CAN MFG		1	699055						0752	67			0000	670210	M05045	4.40
0880AA	SCREW		2	9422232						0752	67					05050	4.42
0890AA	MS VAP CAN-CLAMP		1	9432184				-NA9		0752	62			70056	620280	M05055	4.44
0900AA	CLAMP ASM		2	3786275						0752	62	03743	0000	620285		M05060	4.46
0910AA	STRAP		5	857558						0752	62	03743	0000	620290		M05065	4.48
0920AA	CLIP		1	2485151						0752	77			0000	770267	M05080	4.50
0930AA	BOLT		1	9419004						0752	77					05082	4.52
0960AA	BOLT		2	9417950						0752	77					05084	4.54

ZE05000

MODEL YEAR 1978  
 ORIGIN DATE 770725  
 LAST CHG. DATE 70920  
 LAST CHG. CODE 743

MODEL APPLICATION  
 FUEL TANK MOUNTING & TANK GAGE UNIT  
 UPC DESCRIPTION

70 8A A 5  
 GM, M, P, G, RMP PAGE

# PRODUCT DESCRIPTION MANUAL

## ASSEMBLY INFORMATION

GMT 1061 REV. 8/78

**GMC TRUCK & COACH**

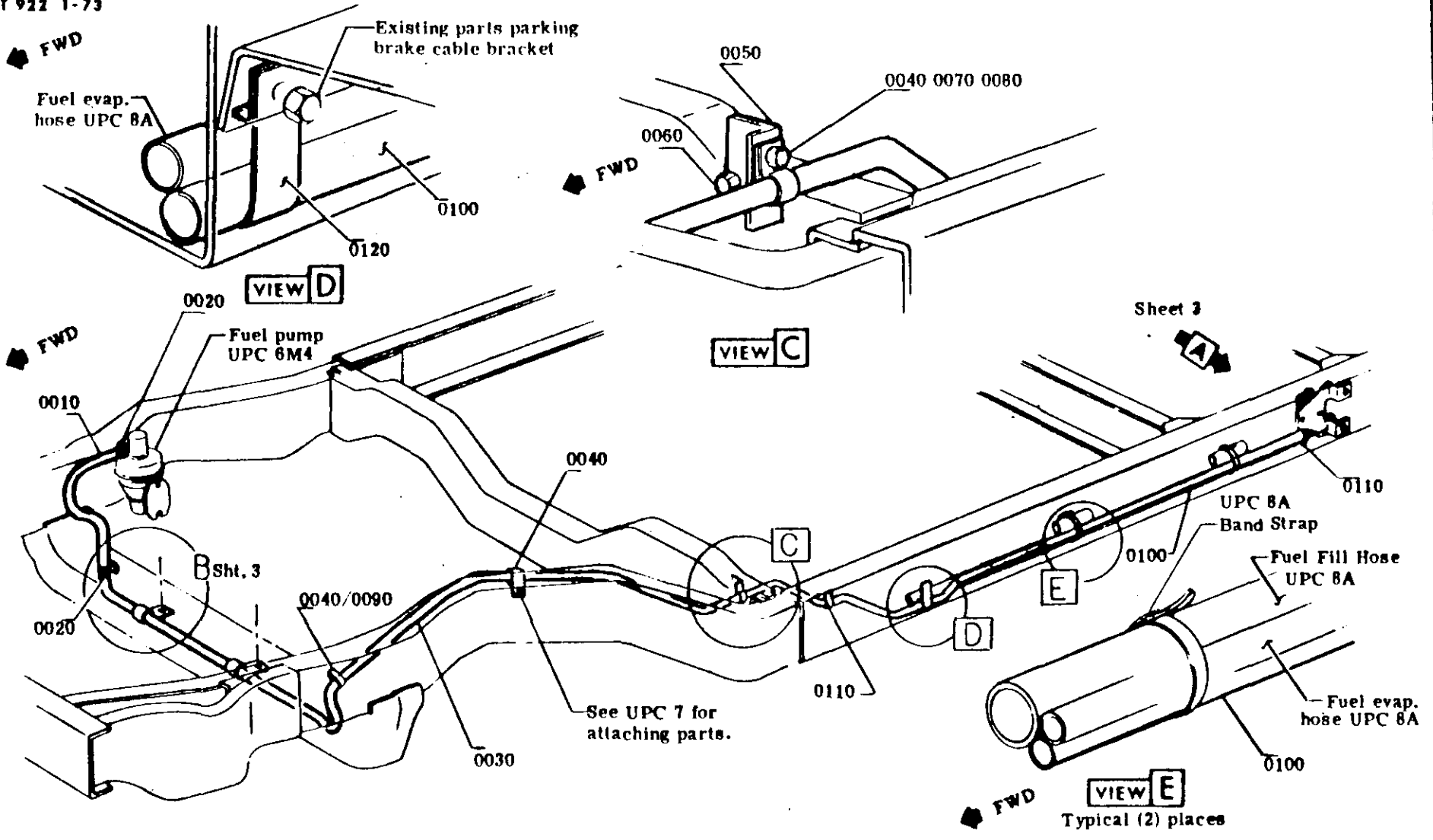
ITEM	QTY	DESCRIPTION	ADD L DATA	QTY	PART NUMBER	M O I	ENGINE CODES	SERIES	BODY BRK	ITEM RESTRICTION	DEPARTMENTS		CHANGE		LOGIC CODE	FUNCTION CODE	ADDITIONAL COSTS	FNA	LINE NOS	
											ST	2/STA	CO	AUTH						
0970AA		WASHER		2	9418304						0752	77								4200
0980AA		NUT		2	9422275						0752	77								4200
0990AA		CAP		1	790809						0754	90		0000500305						001

7E05000

MODEL APPLICATION  
 FUEL TANK MOUNTING & TANK GAGE UNIT  
 UPC DESCRIPTION

MODEL YEAR 1978  
 ORIGIN DATE  
 LAST CHG. DATE  
 LAST CHG. CODE  
 70 RA A 6  
 BK. U. P. C. BRP PAGE

GMT 922 1-73



SYMBOL (Installation) - (1)	REAS (Inspection) - (1)	DATE	SVN	REVISION	QTY	DE	DE	DE	DEPARTMENTS	78 TRUCK	BOOK 70
△		7/77		ORIGINAL RELEASE	47000					TITLE	
△										FRONT FUEL LINES	
△										NAME	
△										FUEL LINES	1

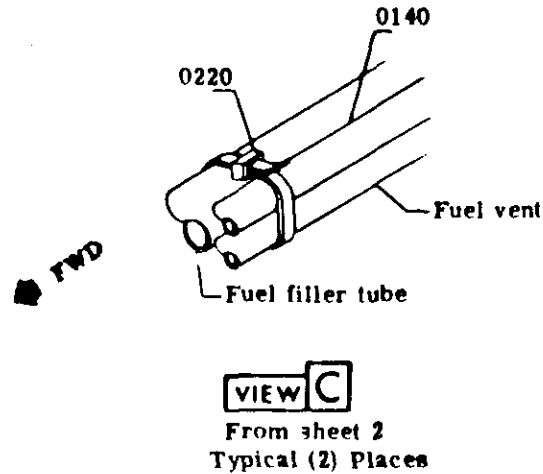
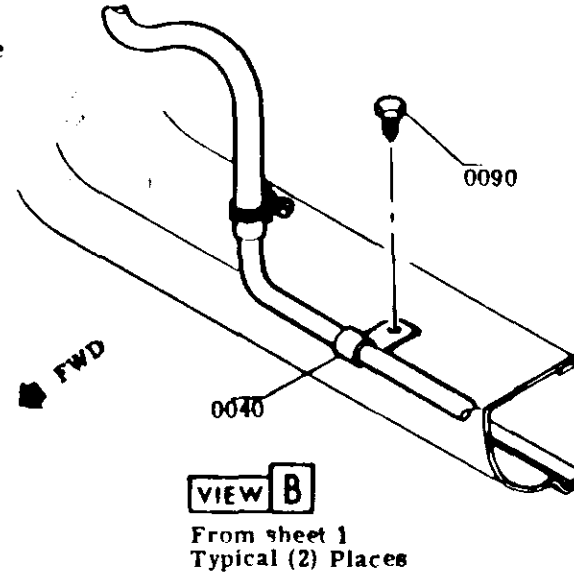
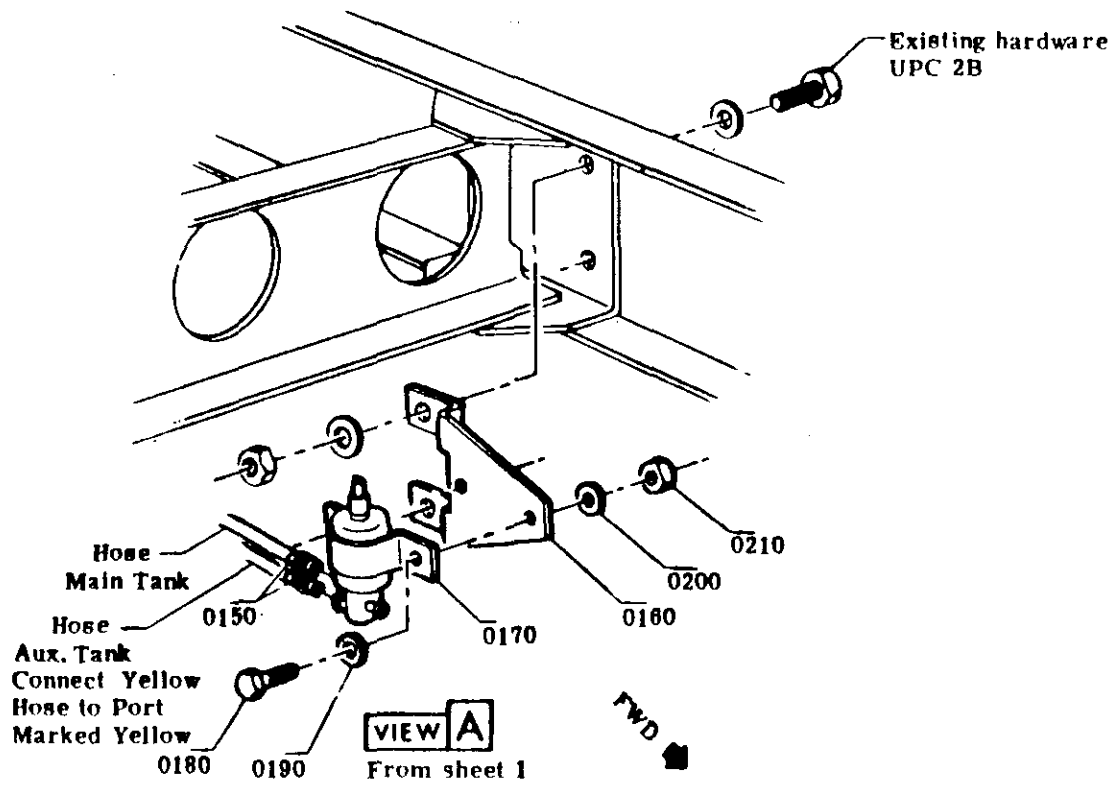






□ ITEM REFERENCE    ◇ PROCESS MATERIAL    △ TORQUE    ▣ PART OF OR EXISTING

GMT 922 1-73



BY (maker) - LBS	DATE	STN	DIVISION	APPR	DR	CR	REPARTMENTS
△	2/77		ORIGINAL RELEASE	42800			THOMPSON
△							
△							
△							
△							

<b>78 TRUCK</b>		<b>BOOK 70</b>
TITLE <b>FUEL LINES &amp; SELECTOR VALVE</b>		
LINE <b>FUEL LINES</b>	PAGES <b>88</b>	SHEET <b>3</b>



ITEM	E.O.	PART OR TOOL DESCRIPTION	ADD'L DATA	QTY	PART NUMBER	ENGINE CODES	SERIES	REV	ITEM RESTRICTION	DEPARTMENTS		CHANGE		LOGIC CODE	FUNCTION CODE	ADDITIONAL CODES	LINE NOS
										#1	2,51A	CD	AUTH				
0001AA		FUEL HOSE TO			U5687					0752							1.8
0001AB		FILL PIPE INSTAL								0752							1.9
0001BA		FUEL TANK			U5943					0752							1.11
0001CA		FUEL SYS PRESS			MD11701					0752							1.12
0001CB		TEST INSTAL								0752							1.14
0010AA		HOSE FUEL PMP		1	9432908					0752	62			0000620300			1.24
0020AA		CLAMP HOSE		2	2494772					0752	62			0000620305			1.26
0030AA		TUBE FUEL		1	717980					0752	67			0000670230			1.28
0040AA		CLIP TUBE		5	2485150					0752	67						1.30
0050AA		BRKT FRT S/R/L		1	717955					0752	77	CORR		0000770272			1.32
0060AA		SCREW		2	9422232					0752	77						1.34
0070AA		BULT		1	9419004					0752	77						1.36
0080AA		NUT		1	271178					0752	77						1.38
0090AA		SCREW		3	9420415					0752	67						1.40
0100AA		HS SEL VLV-FR TB		1	9432958		65			0752	77			0000770270			1.42
0100AC		HS SEL VLV-FR TB		1	9432946		60			0752	77			0000770270			1.43
0110AA		CLAMP		2	2494772					0752	77			0000770275			1.45
0120AA		CLIP		1	681441					0752	77			0000770280			1.47

1 2 3 4 5 6 7 8 9 10	REFERENCE		ZE05000	MODEL YEAR 1978
			MODEL APPLICATION	ORIGIN DATE 770729
			FUEL LINES	LAST CHG. DATE 770929
			UPC DESCRIPTION	LAST CHG. CODE CORR
			70 8B A 1	PK U. P. C. 988 PAGE

ITEM	PART OR TOOL DESCRIPTION	ADD L DATA	QTY	PART NUMBER	ENGINE CODES	SERIES	BODY BRN	ITEM RESTRICTION	DEPARTMENTS		CHANGE		LOGIC CODE	FUNCTION CODE	ADDITIONAL CODES	LINE NOS
									#1	2/51A	CD	AUTH				
0130AA	HC FRT SEL VLV			70534					0752	77			0000	770285		1.49
0140AA	HC RT SEL VLV			943307					0752	77			0000	770290		1.51
0150AA	FLAMP			249477					0752	77			0000	770295		1.53
0160AA	PRKT SEL VLV MTC			70075					0752	77			0000	750070		1.55
0170AA	VALVE SEL			400904					0752	77			0000	770300		1.57
0180AA	BOLT			180014					0752	77						1.59
0190AA	WASHER			170302					0752	77						2.2
0200AA	WA LR			121753					0752	77						2.4
0210AA	NUT			134851					0752	77						2.6
0220AA	SYB2B ASM			67857					0752	77			0000	770305		2.8
0230AA	SYB2B ASM			67858					0752	77			0000	770310		2.10

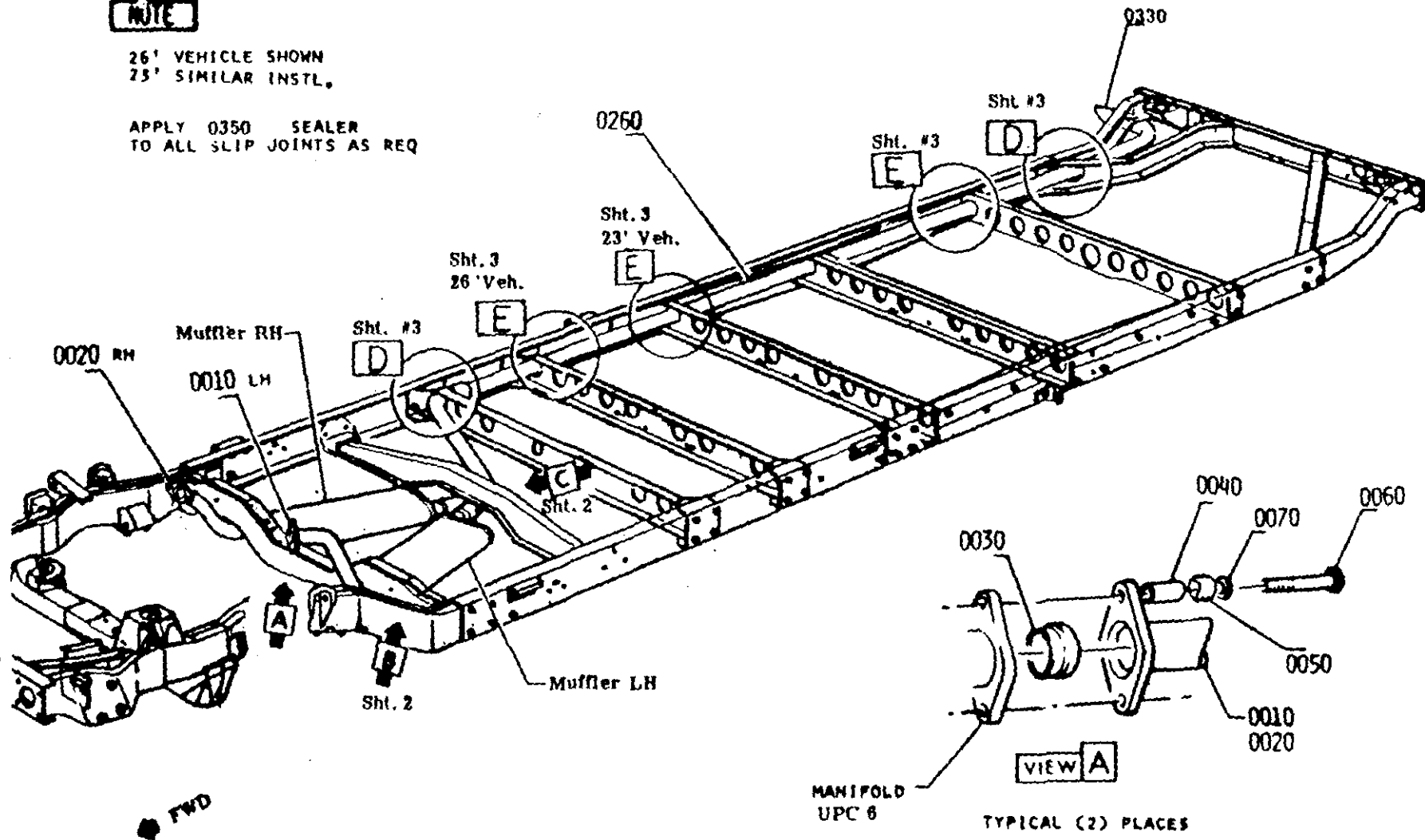
F.M.V.B.S.	REFERENCE	7505000	MODEL YEAR 1978
		MODEL APPLICATION	ORIGIN DATE 770729
		FUEL LINES	LAST CHG. DATE
		UPC DESCRIPTION	LAST CHG. CODE
			70 88 A 2
			BK U. P. C. GMP PAGE

GMT 922 1-73

**NOTE**

26' VEHICLE SHOWN  
25' SIMILAR INSTL.

APPLY 0350 SEALER  
TO ALL SLIP JOINTS AS REQ



DATE	BY	REVISION	APPROVED	BY	DATE
6/20/73		REVISION 0010		TAMMSON	7/2/73

**TRUCK**      **BOOK 70**

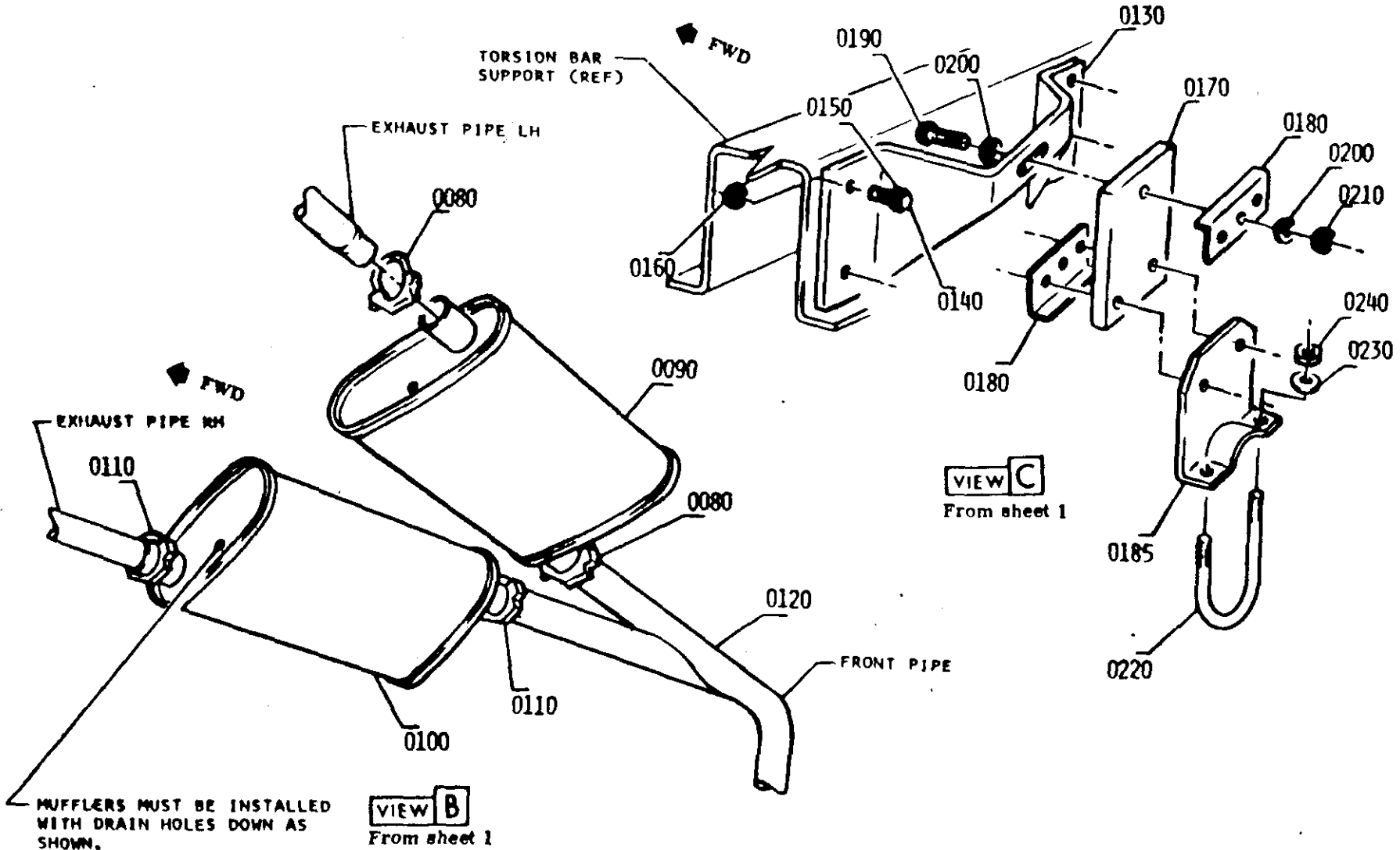
TITLE  
**EXHAUST & TAIL PIPE**

EXHAUST PIPE MUFF. & TAILPIPE      **OC**      SHEET **1**



ITEM REFERENCE  
  PROCESS MATERIAL  
  TORQUE  
  PART OF OR EXISTING

OMY 922 1-73

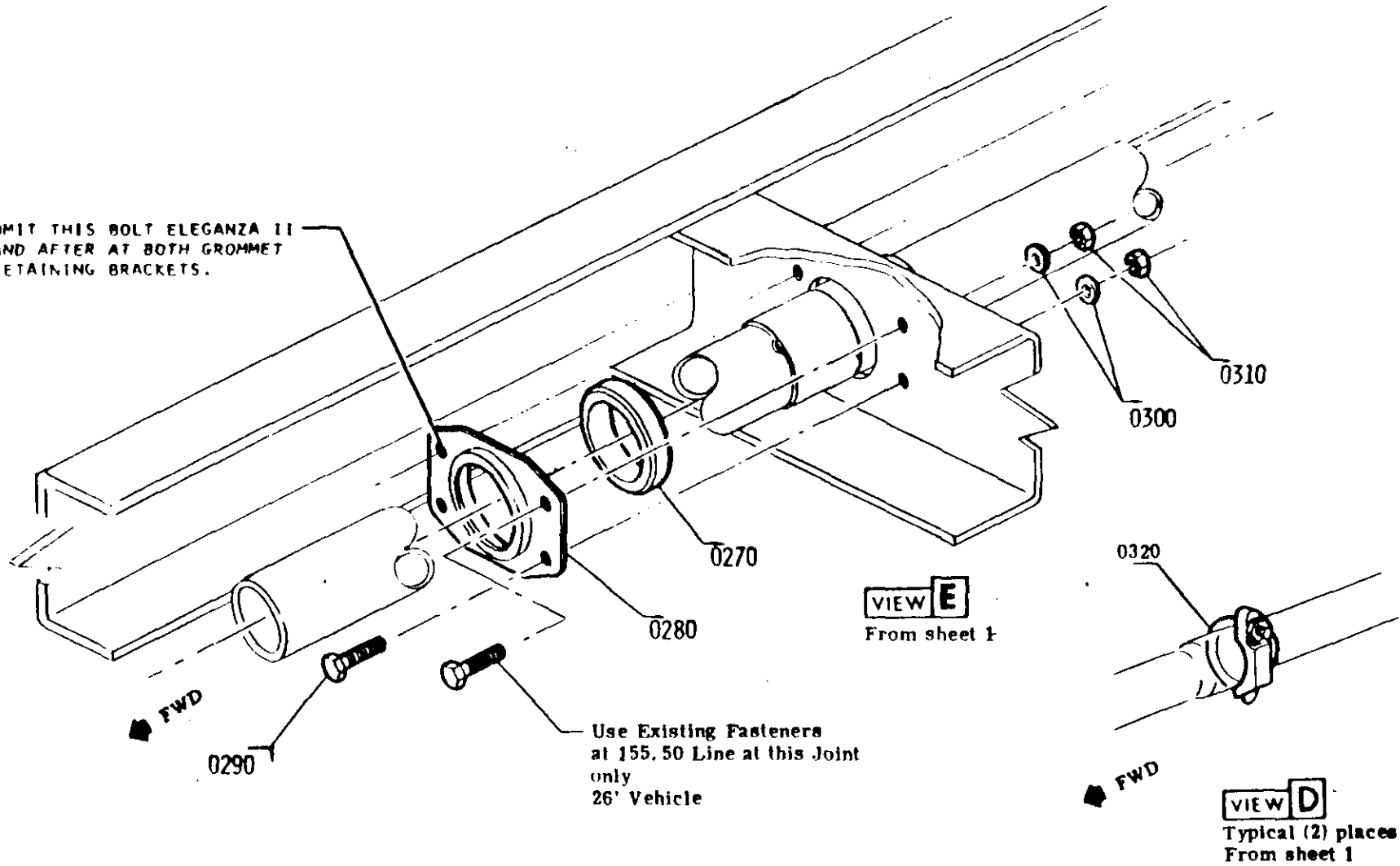


DATE	SYN	REVISION	BY	CHK	DEPT
6.5.73					Technical

78	TRUCK	BOOK	70
TITLE FRONT TAIL PIPE & HANGER			
EXHAUST PIPE, MUFF & TAIL PIPE	DC	2	

GMT 922 1/73

OMIT THIS BOLT ELEGANZA II AND AFTER AT BOTH GROMMET RETAINING BRACKETS.



DYNAMIC (Installation) - LBS	HAND (Inspection) - LBS	DATE	SYM	REVISION	AUTH	DR	LR	DEPARTMENTS
▲		6-22		ORIGINAL DESIGN	ATOOD			THOMPSON
▲								
▲								
▲								
▲								

**78 TRUCK**      **BOOK 70**  
 TITLE  
 EXHAUST  
 AT CROSSMEMBERS  
 NAME EXHAUST PIPE MUFF. & TAILPIPE    DIVISION **8C**    SHEET **3**



# PRODUCT DESCRIPTION MANUAL

## ASSEMBLY INFORMATION

GMT 1061 REV. 5/75

ITEM	E	Q	PART OR TOOL DESCRIPTION	ADD'L DATA	QTY	PART NUMBER	M.O.D.	ENGINE CODES	SERIES	REV. BRK	ITEM RESTRICTION	DEPARTMENTS		CHANGE		LOGIC CODE	FUNCTION CODE	ADDITIONAL CODES	LINE NOS	
												#1	2/STA	CD	AUTH					
AAC1012			EXHAUST INST			18452						0752								1.8
0010AA			EXH PP FRT LH		1	2015467						0752	64			0000640030				1.1
0020AA			EXH PP FRT RH		1	2015468						0752	64			0000640035				1.1
0030AA			SEAL MANIF		2	387897						0752	64			0000640040				1.2
0040AA			SPACER ANIF		4	587574						0752	64			0000640045				1.2
0050AA			SPRING ANIF		4	587575						0752	64			0000640050				1.2
0060AA			BOLT MANIF		4	9418995						0752	64							1.2
0070AA			WASHER MANIF		4	120394						0752	64							1.2
0080AA			CLAMP EXH & MUF		2	884169						0752	78			0000780170				1.3
0090AA			MUFFLER LH		1	411458						0752	78			0000780175				1.3
0100AA			MUFFLER RH		1	411458						0752	78			0000780180				1.3
0110AA			CLAMP EXH & MUF		2	884169						0752	78			0000780185				1.3
0120AA			PIPE TAIL FRT		1	893153						0752	78			0000780190				1.3
0130AA			BRKT PIPE MTG		1	892363						0752	77			0000770315				1.4
0140AA			BOLT BRKT XMBR		4	9419004						0752	77	*						1.4
0150AA			WA LK		4	103319						0752	77	*						1.4
0160AA			NUT		4	9419912						0752	77	*						1.4
0170AA			INSUL MUFF BRKT		1	893145						0752	78			0000780195				1.4

1 2 3 4 5 F.M.V.S.S.	ZE05000											MODEL YEAR 1978							
												ORIGIN DATE 770729							
												LAST CHG. DATE 770929							
												LAST CHG. CODE							
												70 BC A 1							
REFERENCE											EXHAUST PIPE, MUFFLER & MUFFLER TAIL PIPE								
											UPC DESCRIPTION								
											BK. N. P. C. QMP PAGE								



# PRODUCT DESCRIPTION MANUAL

## ASSEMBLY INFORMATION

QNT 1061 REV 8/78

GENE TRENK & COACH

ITEM	PART OR TOOL DESCRIPTION	ADD L DATA	QTY	PART NUMBER	ENGINE CODE	SERIES	REV	ITEM RESTRICTION	DEPARTMENTS			CHANGE AUTH	LOGIC CODE	FUNCTION CODE	ADDITIONAL CODES	LINE NOS
									#1	#2	#3					
001000	EXHAUST INCT		1	126000					0752							1.0
002000	EXH 23 SST LH		1	2015467					0752	78		0000	780145			1.1
002000	EXH 23 SST RH		1	2015467					0752	78		0000	780150			1.1
003000	SEAL W/INTE		2	387897					0752	78		0000	780155			1.2
004000	SPACER W/INTE		4	587574					0752	78		0000	780160			1.2
005000	SPACER W/INTE		4	587574					0752	78		0000	780165			1.2
006000	W/INTE W/INTE		2	0218004					0752	78						1.2
007000	W/INTE W/INTE		4	120394					0752	78						1.2
008000	CLAMP EXH C MUF		2	684169					0752	78		0000	780170			1.3
009000	WHEEL 23 LH		1	411488					0752	78		0000	780175			1.3
010000	WHEEL 23 RH		1	411456					0752	78		0000	780180			1.3
011000	CLAMP EXH C MUF		2	684169					0752	78		0000	780185			1.3
012000	PIPE W/INTE		1	603113					0752	78		0000	780190			1.3
013000	FLY W/INTE		1	492763					0752	77		0000	770315			1.4
014000	FLY W/INTE		4	9419004					0752	77						1.4
015000	W/INTE		4	103310					0752	77						1.4
016000	W/INTE		4	9419012					0752	77						1.4
017000	W/INTE W/INTE		1	603124					0752	78		0000	780195			1.4

F.M.V.S.S.	REFERENCE	2E05000	MODEL YEAR IS 78
		MODEL APPLICATION	ORIGIN DATE 770729
		EXHAUST PIPE, MUFFLER C MUFFLER TAIL PIPE	LAST CHG DATE
UPC DESCRIPTION			LAST CHG CODE
			70 8C A 1
			BR U. P. C. GRP PAGE





# PRODUCT DESCRIPTION MANUAL

## ASSEMBLY INFORMATION

GMT 1081 REV 8/78

ITEM	QTY	PART OR TOOL DESCRIPTION	ADDL DATA	QTY	PART NUMBER	M O D	ENGINE CODES	SERIES	BOY BRK	ITEM RESTRICTION	DEPARTMENTS		CHANGE CD	LOGIC CODE	FUNCTION CODE	ADDITIONAL CODES	PNA	LINE NOS
											#1	2/STA						
0100AA		PLT MUFF PKT			603143						0752	75		0000	780200			1.5
0101AA		CLAMP U BCL			603144						0752	75		0000	780205			1.5
0102AA		NUT MTC PKT			0410032						0752	78						1.5
0200AA		WA MTC PKT			0410304						0752	75						1.5
0210AA		NUT			0422279						0752	78						1.5
0220AA		U BCLY ERT 1/P			2385669						0752	75		0000	780210			2.2
0230AA		WA ERT 1/P			103320						0752	78						2.4
0240AA		NUT BELT IN LF			0417084						0752	78						2.6
0260AA		PIPE INT TAIL			712309			60			0752	78		0000	780215			2.8
0260AA		PIPE INT TAIL			712310			65			0752	78		0000	780215			2.9
0270AA		CONNECT			712307						0752	78						2.1
0280AA		PKT BOW KEY			712306						0752	78		0000	780220			2.1
0290AA		NUT ERT			0410067						0752	78						2.1
0300AA		WASHER			0423043						0752	78						2.1
0310AA		NUT			0422277						0752	78						2.1
0320AA		CLAMP IN PKT			666134						0752	78		0000	780225			2.2
0330AA		PIPE NO TAIL			603146						0752	78		0000	780230			2.2
0340AA		THRU 1/P PKT			603149						0752	78		0000	780235			2.2
0350AA		SEALED JOINT			0985020						0752	78						2.2

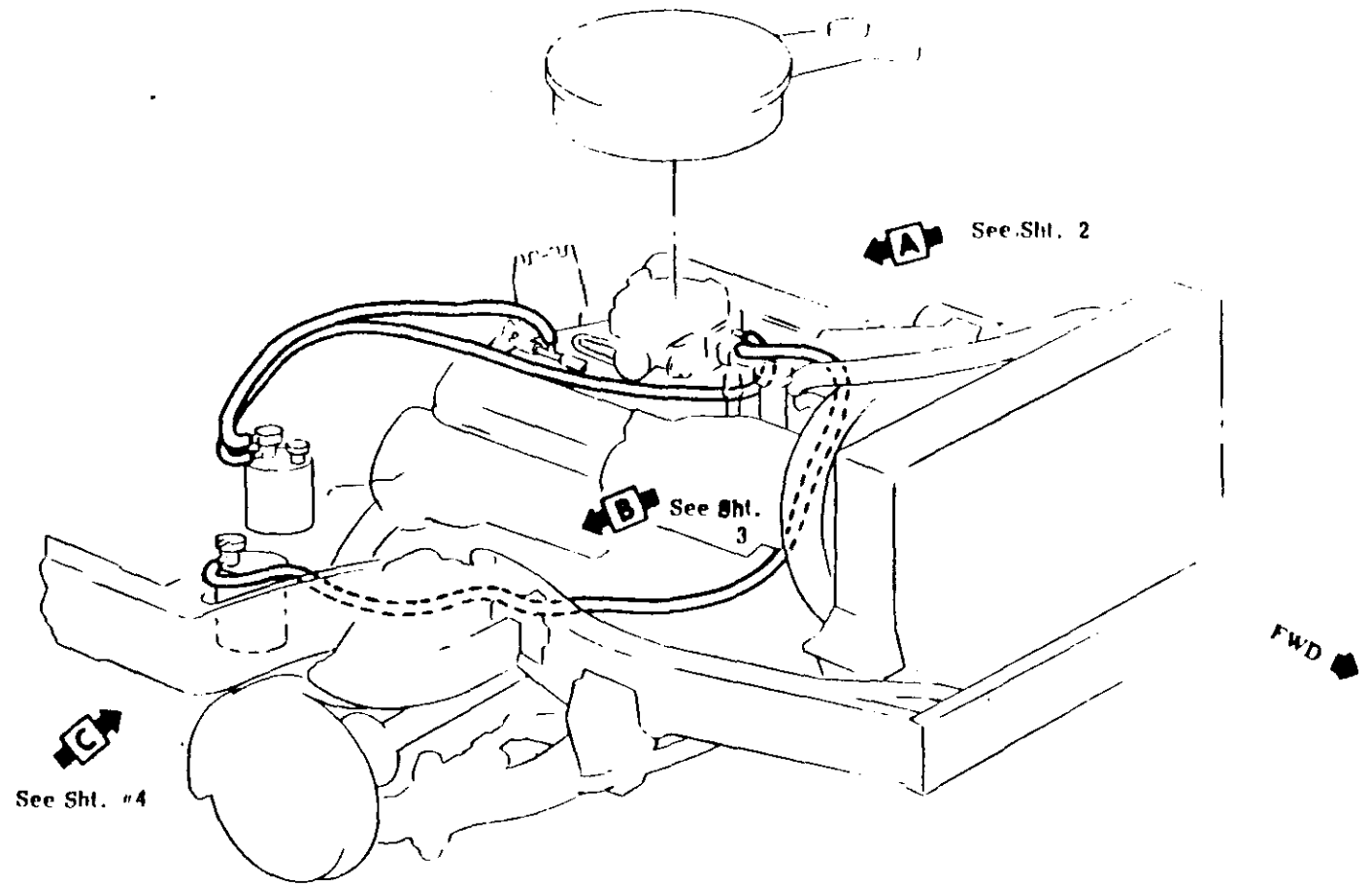
7805000

MODEL YEAR 1978  
 ORIGIN DATE 770729  
 LAST CHG DATE  
 LAST CHG CODE

MODEL APPLICATION  
 EXHAUST PIPE, MUFFLER & MUFFLER TAIL PIPE  
 UPC DESCRIPTION

70 BC A 2  
 BK U. P. C. GRP PAGE

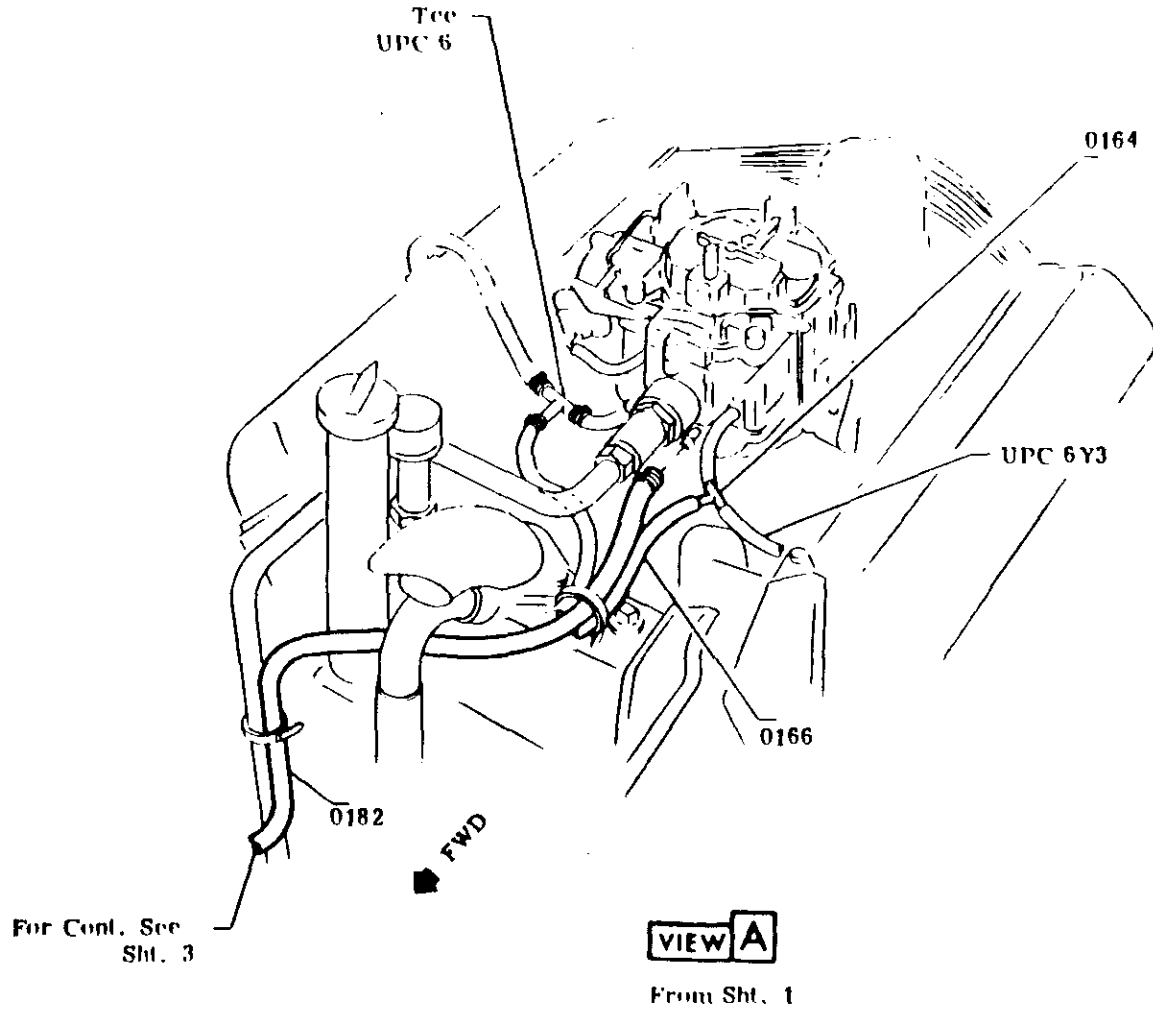
GMT 922 1/75



DATE	SYM	REVISION	AUTH	DR	CR	DEPARTMENTS	TITLE
11/3/77		ORIGINAL RELEASE	LDJ	JL			'78 TRUCK
							BOOK 70
							TUBE ROUTING
							RPO NA9
							NAME EVAP. EMIS. CONT. SYSTEM
							DIVISION/UPC 8D
							UNIT 1

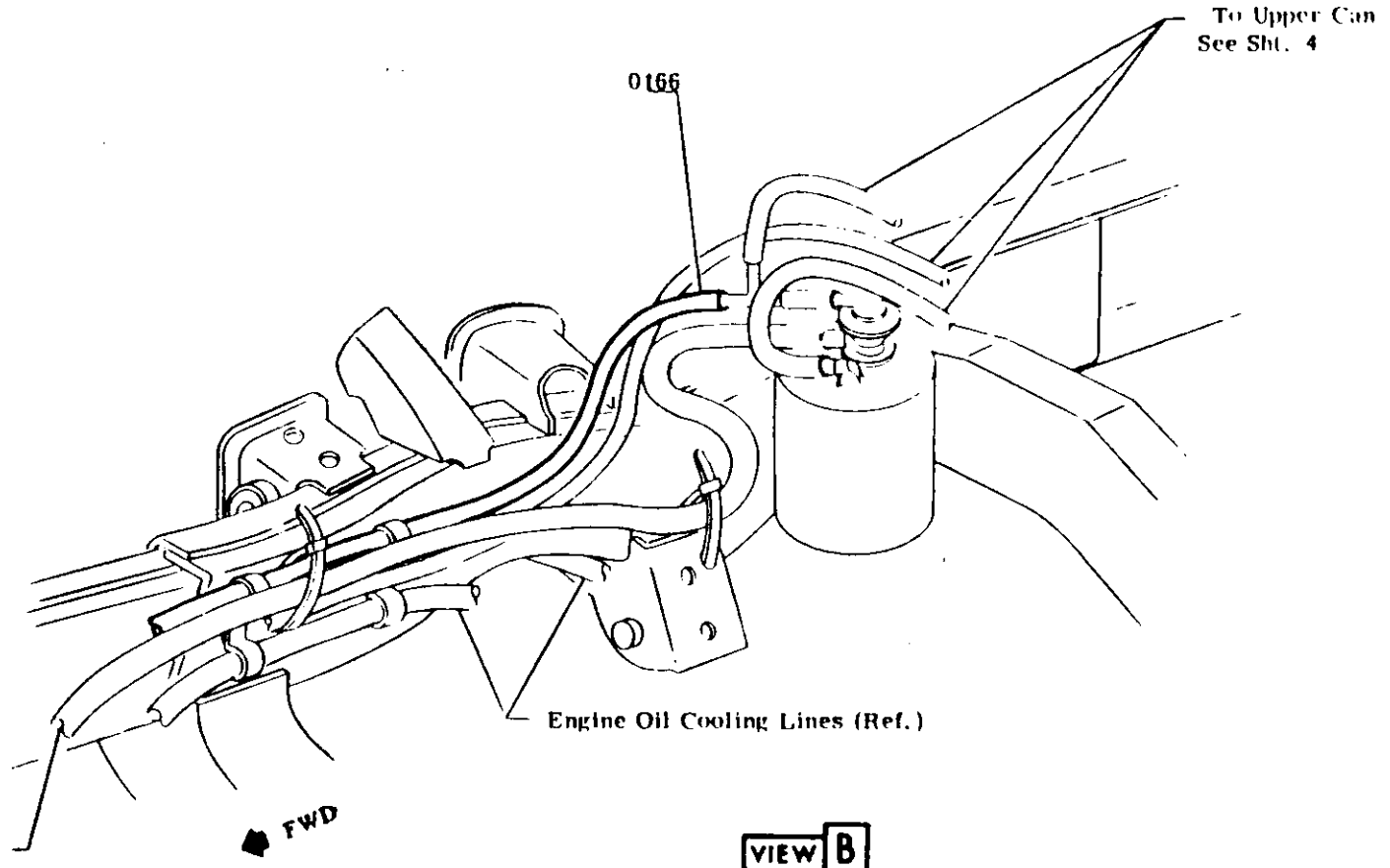


GMT 922 1/73



BY (Installation) - LBS	DATE	SYM	REVISION	AMT	DR	CR	DEPARTMENTS	BOOK
▲ ▲ ▲ ▲ ▲	2.77		ORIGINAL RELEASE	60379	TAP		'78 TRUCK	BOOK 70
							TITLE	
							TUBE ROUTING	
							RPO NA9	
							NAME EVAP. EMISS. CONT SYSTEM	DIVISION/UPC 8D

GMT 922 1/75



For Cont.  
See Sht. 2

FWD

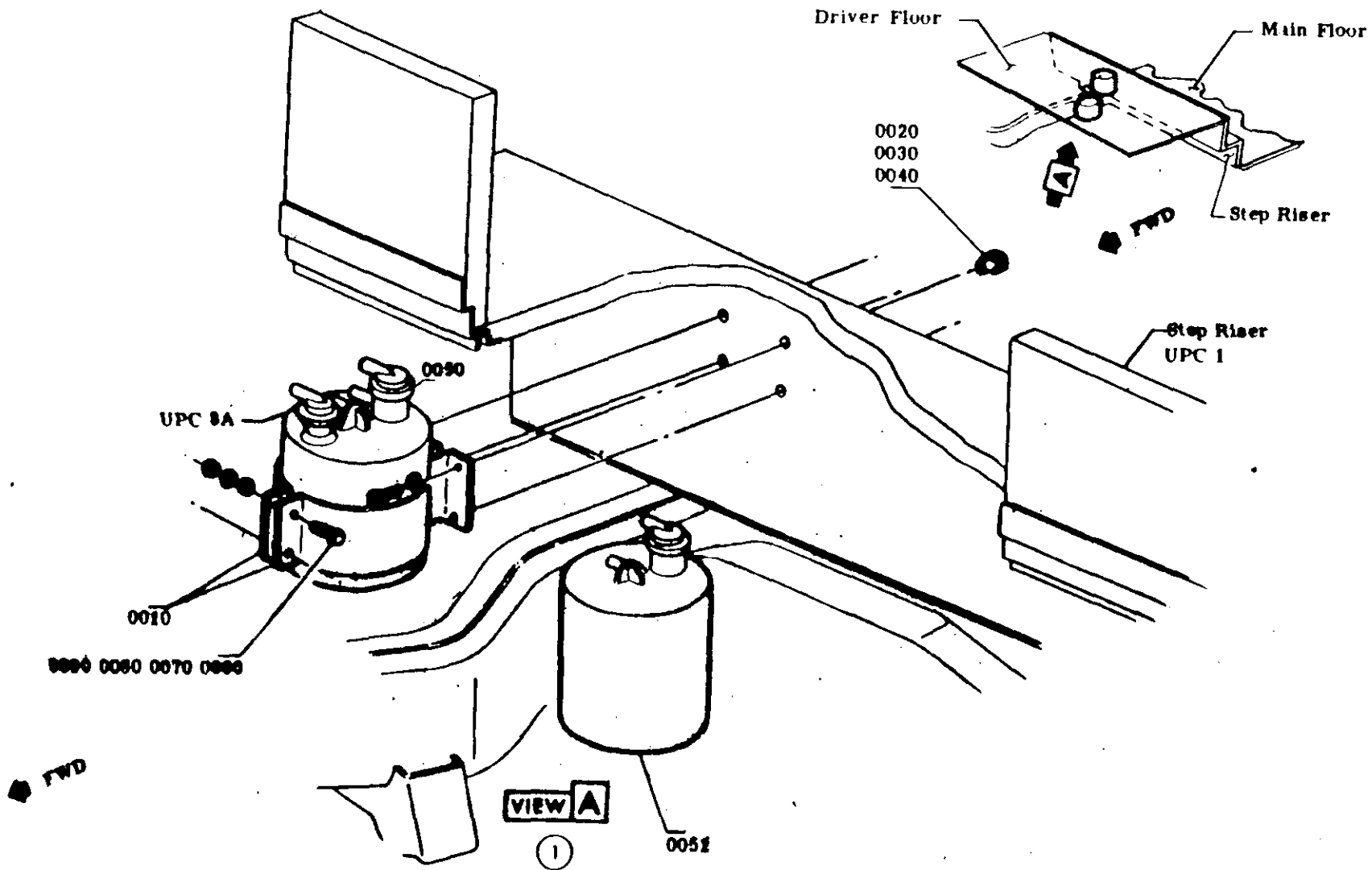
**VIEW B**  
From Sht. 1

SYMBOL (Installation) - LBS	DATE	SYN	REVISION	AUTH	DO	CF	DEPARTMENTS	TITLE	BOOK
▲	7/3/77		ORIGINAL RELEASE	6088	18	77		78 TRUCK	BOOK 70
▲								TUBE ROUTING	
▲								RPO NA9	
▲								NAME EVAP. EMIS. CONT. SYSTEM	
▲								DIVISION/UPC 8D	
▲								SHEET 3	





GMT 922 1-73



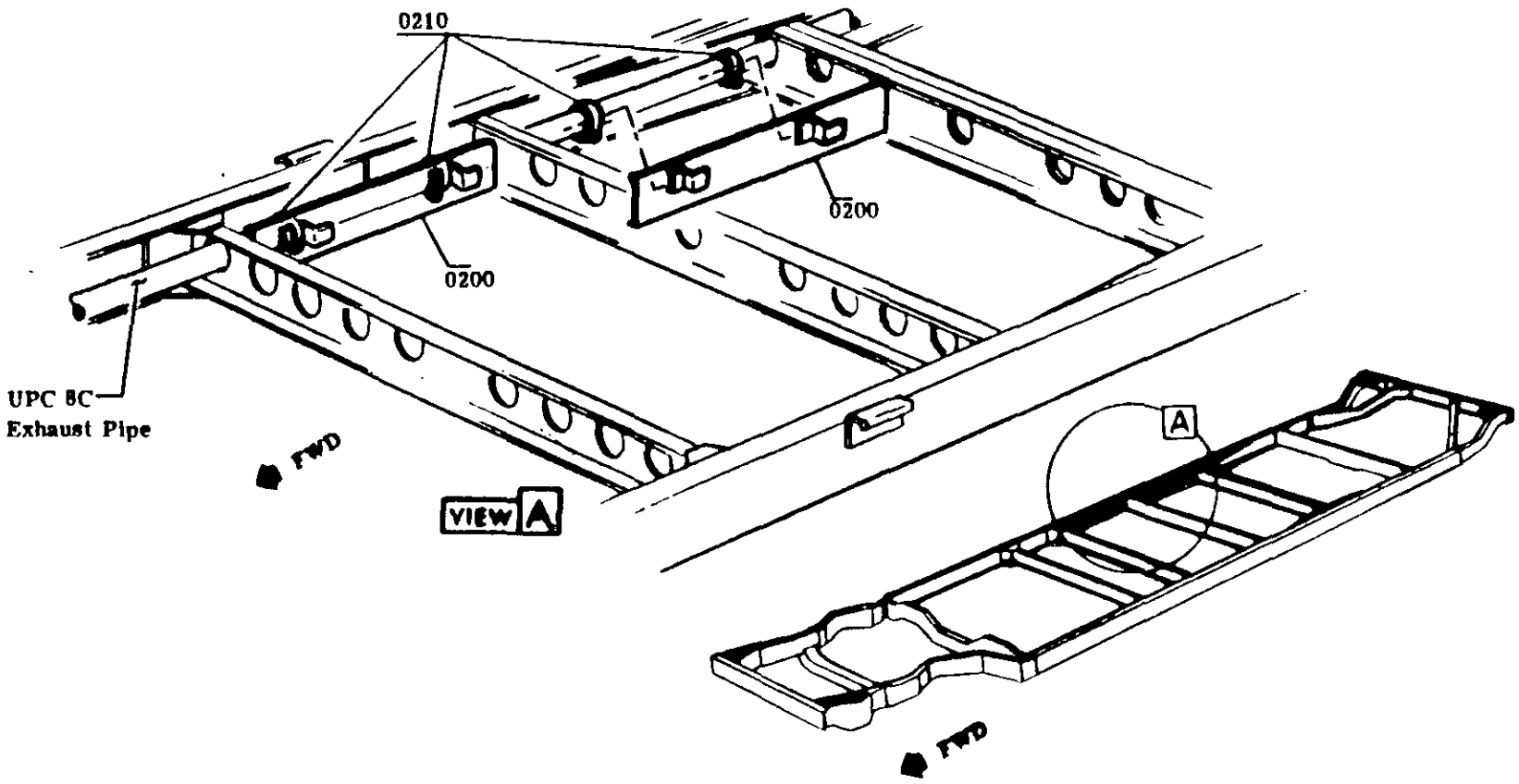
DATE	SYN	REVISION	AUTH	DR	CR	DEPARTMENTS	TRUCK	BOOK
11/27		ORIGINAL RELEASE	1/200					
11/27	1	VIEW A REVISED TO DETAIL	1/271					

EVAPORATIVE EMISSION SYSTEM  
 RFD NAB  
 EVAP. CONT. SYSTEM



□ ITEM REFERENCE    ◇ PROCESS MATERIAL    △ WELD    ▣ PART OF OR EXISTING

GMT 922 B/74



DATE	SYN	REVISION	AUTH	DR	CR	DEPARTMENTS	BOOK
11-27-77		DESIGNER RELEASE	17000	1/27		74 TRUCK	70
11-3-77	1	REWORK & REDESIGNED SHT 6, NAC, SHT 2				TITLE	
						HEAT SHIELDS RPO NAB	
						NAME EVAP. EMIS. CONT. SYSTEM	
						DIVISION/PC	
						SHEET	



QTY	PART OR TOOL DESCRIPTION	ADDL DATA	PART NUMBER	ENGINE CODES	FRONT	REAR	ITEM DESCRIPTION	UNIT OF MEASUREMENT	QTY PER ASSEMBLY	QTY PER ENGINE	QTY PER FRONT	QTY PER REAR	QTY PER OPTION	QTY PER TOTAL
1	FUEL TANK L/O		13535				1A9		0100					1
1	FUEL LINES INST		13937				1A9		0100					1
1	VENT HOSE INST		14275				1A9		0100					1
1	HEAT SHIELD		15142				1A9		0100					1
1	FUEL TANK L/O		13535				1A9		0100					1
1	FUEL LINES INST		13937				1A9		0102					1
1	VENT HOSE INST		14275				1A9		0102					1
1	HEAT SHIELD		15142				1A9		0102					1
1	FUEL TANK L/O		13535				1A9		0104					1
1	FUEL LINES INST		13937				1A9		0104					1
1	VENT HOSE INST		14275				1A9		0104					1
1	HEAT SHIELD		15142				1A9		0104					1
1	FUEL TANK L/O		13535				1A9		0102					1
1	VENT HOSE INST		14275				1A9		0102					1
1	HEAT SHIELD		15142				1A9		0102					1
2	HEAT EMIS CAN		705001				1A9		0102					2
4	HEAT MTG BRKT		9419008				1A9		0102					4
4	WALK		105319				1A9		0102					4
4	WALK		693207				1A9		0102					4
2	CANISTER EMIS		11706086				1A9		0102					2
2	CANISTER EMIS		11705654				1A9		0102					2
2	BOLT CAN/BRKT		9418992				1A9		0104					2

ZE05000

MODEL APPLICATION  
EVAPORATIVE EMISSION CONTROL SYSTEM  
UPC DESCRIPTION

MODEL YEAR 1978  
ORIGIN DATE 11/77  
LAST ENG DATE 11/10/80  
LAST CHG CODE 1-3  
70 10 A 1  
BK U. P. C. SHEET PAGE

REFERENCE



ITEM NO	ITEM DESCRIPTION	QTY	UNIT	ITEM NO	ITEM DESCRIPTION	QTY	UNIT	ITEM NO	ITEM DESCRIPTION	QTY	UNIT	ITEM NO	ITEM DESCRIPTION	QTY	UNIT
0100AA	WASHER	2	5418304					1A9		0754	18				
0100AA	WALK	2	103320					1A9		0754	18				
0100AA	AUT	2	9417954					NA9		0754	18				
0100AA	HOSE CAN/CARB	1	9432704					1A9		0752	18	6907610290	W		
0100AA	HOSE EMIS VENT F	1	9432824					1A9		0752	67	6907610270	W		
0100AA	CAP VAPOR CAN	1	696490					1A9		0752	67	6907610265	W		
0100AA	SHIELD T/PP HT	2	713294					NA9		0752	18	6907610240	W		
0100AA	CLAMP HT SHIELD	4	2465819					NA9		0752	18	6907610245	W		
0100AA	HOSE VENT-PRIM CAN	1	9432780					NA9		0752	67	6907610270	W		
0100AA	HOSE VENT-AUX CAN	1	9432822					NA9		0752	67	6907610270	W		
0100AA	TEL F-INK VNT	1	327220					NA9		0752	67	6907610280	W		
0100AA	HOSE VNT PRIM CAN	1	9432949					NA9		0752	67	6907610280	W		
0100AA	HOSE PRIM CAN SIG	1	9433207					NA9		0752	67	6907610280	W		
0100AA	HOSE AUX CAN SIG	1	9433008					NA9		0752	67	6907610280	W		
0100AA	HOSE VLV SIG HS	2	606028					1A9		0752	67	6907610220	W		
0100AA	HOSE PURGE VLV SIG	1	324631					NA9		0752	62	6907610230	W		
0100AA	HOSE CAN-TEL	1	9432760					1A9		0752	67	6907610220	W		
0100AA	HOSE VENT VNT SIG	1	9433354					1A9		0752	67	6907610290	W		
0100AA	CLAMP VNT-HS	2	3829050					NA9		0752	67	6907610290	W		
0100AA	HOSE CAN-PLV	2	3786275					NA9		0752	62	6907610390	W		
0100AA	CLAMP EMIS VNT	3	2494772					NA9		0752	67	6907610300	W		
0100AA	CLAMP EMIS VNT	1	2494772					NA9		0752	67	6907610300	W		

V56K	MODEL APPLICATION	7E05000	MODEL NUMBER	7E05000
	EVAPORATIVE EMISSION CONTROL SYSTEM		DATE	11/12/79
	UPC DESCRIPTION		REVISED DATE	11/01/80
REFERENCE			REVISED DATE	1/83
			7E05000	A
			2	





# PRODUCT DESCRIPTION MANUAL

## ASSEMBLY INFORMATION

GMT 1061 REV. 9/75

GMC TRUCK & COACH

ITEM	PART OR TOOL DESCRIPTION	ADD'L DATA	QTY	PART NUMBER	ENGINE CODES	SERIES	HOY BRK	ITEM RESTRICTION	DEPARTMENTS		CHANGE		LOGIC CODE	FUNCTION CODE	ADDITIONAL CODES	PMA	LINE NOS
									#1	#2/STA	CD	AUTH					
	CAT. 3 STEERING SYSTEM																1.0
	DUE CARE MUST BE EXERCISED IN THE HANDLING AND INSTALLATION OF POWER STEERING & W/S WIPER HYDRAULIC SYSTEM.																1.10
	RECOMMENDED HOSE ASSEMBLY INSTALLATION PROCEDURE:																1.11
	A. NECESSARY PRECAUTION SHOULD BE TAKEN TO KEEP SYSTEM CLEAN & DRY.																1.13
	B. SEALING CAPS SHOULD BE REMOVED FROM SUB-ASSEMBLY JUST PRIOR TO FINAL ASSEMBLY.																1.15
	C. HOSE ASSEMBLIES MAY BE ASSEMBLED TO THE VEHICLE AS LOOSE PARTS OR PREASSEMBLED BEFORE THAT COMPONENT IS MOUNTED.																1.17
	D. SEQUENCE OF ASSEMBLY DOES NOT MATTER, HOWEVER, ROUTING PARAMETERS ARE IMPORTANT.																1.19
	E. HOSE ASSEMBLY NUTS SHOULD BE TIGHTENED TO SPECIFIED TORQUES.																1.20
	F. ALL FITTING MUST BE HELD WHILE TIGHTENING OR LOOSENING NUTS.																1.22
	RECOMMENDED HANDLING SPECIFICATIONS:																1.24
	A. HOSE ASSEMBLIES AND COMPONENTS, SHOULD INCLUDE SEALING CAPS AND BE HANDLED AND SHIPPED IN SUCH A MANNER AS TO AVOID THREAD DAMAGE IN THE FITTINGS AND TO AVOID BURRS AND DINGS THAT MIGHT OTHERWISE CUT THE HOLES.																1.26
	B. PAINT SHOULD NOT BE PRESENT ON THREADS OF HOSE ASSEMBLIES THAT REQUIRE PAINT IDENTIFICATION.																1.28
	C. HOSE ASSEMBLIES MAY BE PREASSEMBLED TO THE OTHER ASSEMBLIES, BUT THOSE ASSEMBLIES SHOULD NOT BE CARRIED HANGING FROM THE HOSE ASSEMBLIES.																1.30
	D. WHEN POOR HOSE ASSEMBLY ROUTING EXIST, HOSE AND ASSEMBLIES SHOULD NOT BE SIMPLY BENT OR MUTILATED BY PULLING ON THEM BY HAND, TO CORRECT THE ROUTING. THIS IS BEST ACCOMPLISHED BY LOOSENING THE FITTINGS AND PROPERLY REPOSITIONING THE HOSE ASSEMBLY BEFORE RETIGHTENING NUTS.																1.32
	OPERATION																1.34
	A. THE COMPLETE SYSTEM SHOULD BE CHECKED TO ASSURE THAT HOSE ASSEMBLIES SHOULD NOT TOUCH OR BEAR ON ANY OBJECT EITHER AT REST OR IN OPERATION, AND ADEQUATE CLEARANCE SHOULD EXIST.																1.36
	B. THE HOSES SHOULD NOT BE TWISTED, KINKED OR TIGHTLY BENT AND SHOULD HAVE SUFFICIENT NATURAL CURVATURE IN THE ROUTING TO ABSORB MOVEMENT AND HOSE SHORTENING IN OPERATION UNDER PRESSURE, FREE OF TWIST OR STRAIN.																1.40
	C. THE USE OF WIRE CLIPS, METAL CLAMPS, FABRIC OR RUBBER STRAPS, ETC., TO ESTABLISH A HOSE ROUTING IS PERMISSIBLE ONLY WHEN SUCH RETAINING DEVICES DO NOT UNDUPLY RESTRICT THE EXPANSION OR WORKING OF THE HOSE IN SERVICE AND DO NOT THEMSELVES CHAFE OR ABRASE THE COVER OF THE HOSE OR HOSES BEING HELD.																1.42

CAT 3 STEERING	13901	ZE05XXX	MODEL YEAR 1978 ORIGIN DATE 770804 LAST CHG. DATE LAST CHG. CODE 70 9 51 1 OR U. P. C. OR PAGE
F.N.V.S.S.	REFERENCE	MODEL APPLICATION STEERING UPC DESCRIPTION	



PRODUCT DESCRIPTION MANUAL  
ASSEMBLY INFORMATION

QMT 1081 REV. 9/75

ITEM	S E Q	PART OR TOOL DESCRIPTION	ADD'L DATA	QTY	PART NUMBER	ENGINE CODES	SERIES	BODY	ITEM RESTRICTION	DEPARTMENTS		CHANGE		LOGIC CODE	FUNCTION CODE	ADDITIONAL CODES	LINE NOS
										#1	2/3/4	CD	AUTH				
		CAT. 3 (STEERING SYSTEM)															2.1
		BLEED SYSTEM AND CHECK FOR LEAKS															2.3
		1. WITH WHEELS TURNED ALL THE WAY TO THE LEFT, ADD POWER STEERING FLUID TO "COLD" MARK ON PUMP DIP STICK.															2.5 2.6
		2. START ENGINE, TURN WINDSHIELD WIPERS "ON" RUN ENGINE AT EASY IDLE AND RECHECK FLUID LEVEL. ALL FLUID IF NECESSARY TO "COLD" MARK ON PUMP DIP STICK.															2.8 2.9 2.10
		3. BLEED SYSTEM BY TURNING WHEEL FROM SIDE TO SIDE WITHOUT HITTING KNUCKLE STOPS AND WITH WIPERS "ON". MAINTAIN FLUID LEVEL JUST ABOVE INTERNAL PUMP CASTING. FLUID WITH AIR WILL HAVE A LIGHT TAN OR RED APPEARANCE. THIS AIR MUST BE ELIMINATED FROM FLUID BEFORE NORMAL STEERING CAN BE OBTAINED.															2.12 2.13 2.14 2.15
		4. RETURN WHEEL TO CENTER POSITION AND CONTINUE TO RUN ENGINE AT EASY IDLE FOR TWO OR THREE MINUTES. CHECK SYSTEM FOR LEAKS. THEN SHUT OFF ENGINE.															2.17 2.18
		5. RECHECK FLUID LEVEL AS DESCRIBED IN STEPS 1 & 2 MAKING SUPE FLUID LEVEL IS AT "HOT" MARK ON PUMP DIP STICK AFTER THE SYSTEM HAS STABILIZED AT ITS NORMAL OPERATING TEMPERATURE.															2.20 2.21 2.22
		PROCESS DOCUMENTATION: THIS PROCESS UTILIZES STANDARD TOOLS AND EQUIPMENT OF WHICH THE CAPABILITIES ARE WELL ESTABLISHED.															2.23 2.24 2.25
		APPROVED BY: <i>James E. Langh</i>															2.31
		DATE: <i>9/1/77</i>															2.32

CAT 3 STEERING	13901	ZE05XXX	MODEL YEAR 1978 ORIGIN DATE 770804 LAST CHG DATE LAST CHG CODE
F.M.V.R.R.	REFERENCE	MODEL APPLICATION STEERING UPC DESCRIPTION	70 9 S1 2 BK U. P. C. QMF PAGE









PRODUCTION DESCRIPTION QUAL

ASSOCIATED INFORMATION

ITEM	QTY	PART DESCRIPTION	ADD'L DATA	QTY	P. NO.	ENGINE CODES	SERIES	DOY	ITEM RESTRICTION	DEPARTMENTS		CHANGE		ACTION CODE	ADDITIONAL CODES	FHA
										41	2/STA	CD	AUTH			
AAU014		LUB CAP			* M01					0754						
AAU014		P/S & WSH MTR & PWR & LINES			* L1173					0782						1.1
AAU014		S/GR TO INTER TIE			* L3845					0782						1.1
AAU014		TRG MTR TO S/GR			* L3536					0782						1.1
AAU014		STRG INTER TIE			* L2773					0782						1.1
AAU014		STRG CCL LMR SHF TO PINCH 130LT ENGAGEMENT			* L4610					0782						1.2
AAU014		FRT WHEEL ALIGN			* L4584					0782						1.2
AAU014		FRT STRUCTURE & STRG CCL SUPT			* L7856			STD/641T/685T		0782						1.2
AAU014		TILT STRG WHL			* L3818					0782						1.3
AAU014		FIREWALL & STRG CCL SUPT			* L2989			81697T/698T		0782						1.3
AAU014		P/S & WSH MTR & PWR & LINES			* L7173					0754						1.3
AAU014		S/GR TO INTER TIE			* L3845					0754						1.3
AAU014		STRG WHL TO S/GR			* L3536					0754						1.4
AAU014		STRG INTER TIE			* L2773					0754						1.4
AAU014		STRG CCL LMR SHF TO PINCH 130LT ENGAGEMENT			* L4610					0754						1.4
AAU014		FRT WHEEL ALIGN			* L4584					0754						1.5
AAU014		FRT STRUCTURE & STRG CCL SUPT			* L7856			STD/641T/685T		0754						1.5
AAU014		TILT STRG WHL			* L3818			83		0754						1.5
AAU014		LK CTR ASM			* L4235					0782		60621			99544	1.5

A B C D E F.M.V.B.B.	ZE05000	MODEL YEAR 1978
	MODEL APPLICATION	ORIGIN DATE 770729
	STEERING GEAR & COLUMN	LAST CHG. DATE 770819
	UPG DESCRIPTION	LAST CHG. CODE 0621
REFERENCE		70 9A A 1 PK. V. P. G. ORP PAGE



# PRODUCT DESCRIPTION MANUAL

GMT 1081 REV. 5/78

GENE TRUCK & COACH

## ASSEMBLY INFORMATION

ITEM	PART OR TOOL DESCRIPTION	ADD'L DATA	QTY	PART NUMBER	ENGINE CODES	SERIES	BODY BRK	ITEM RESTRICTION	DEPARTMENTS		CHANGE		LOGIC CODE	FUNCTION CODE	ADDITION CODES	FNA	LINE NOS
									#1	2/51A	CO	AUTH					
AA19024	FIREWALL & STRG COL SUPT		*	L2989				816971/6981	0754								1.5
AA20024	P/S & MSM MTR & PMR U LINES		*	L7173					0752								2.1
AA21024	S/GR TO INTER TIE ROD		*	L3845					0752								2.4
AA22024	STRG WHL TO S/GR		*	L3536					0752								2.7
AA22024	STRG INTER TIE ROD TO GRD		*	L2773					0752								2.9
AA23024	STRG COL LMR SHF TO PINCH BOLT ENGAGEMENT		*	L4610					0752								2.1
AA24024	FRT WHEEL ALIGN		*	L4584					0752								2.1
AA25024	FRT STRUCTURE & STRG COL SUPT		*	L7856				STD/641T/685T	0752								2.1
AA16024	TILT STRG WHL		*	L3818				83	0752								2.2
AA17024	FIREWALL & STRG COL SUPT		*	L2989				81697T/698T	0752								2.2
0010AA	GEAR ASM STRG		1	7817940					0752	66		0000660075					2.2
0020AA	BOLT S/GR TO FRM 70180 FT LBS		4	9425686					0752	66							2.3
0030AA	WA S/GR BOLT		4	103326					0752	66							2.3
0040AA	SHAFT ASM STRG		1	692860					0752	66		0000660080					2.3
0050AA	CLAMP SHF/COL		1	7802922					0754	87		0000870090					2.3
0060AA	BOLT STRG SHF		1	7803464					0754	87							2.3
0070AA	NUT STRG SHF 40150 FT LBS		1	7810280					0754	87							2.4
0080AA	BOLT STRG SHF		1	9425686					0752	66							2.4

P R O D U C T D E S C R I P T I O N	ZE05000										MODEL YEAR 1978						
											ORIGIN DATE 770729						
											LAST CHG. DATE						
										LAST CHG. CODE							
MODEL APPLICATION										70 9A A 2							
STEERING GEAR & COLUMN										BK. U. P. C. GPF PAGE							
UPC DESCRIPTION																	

# PRODUCT DESCRIPTION MANUAL

## ASSEMBLY INFORMATION

QMT 1001 REV. 8/78

GM TRUCK & COACH

ITEM #	PART OR TOOL DESCRIPTION	ADJUST. DATA	QTY	PART NUMBER	ENGINE CODES	RES.	DEPARTMENT #1	201A	REF. BTH	LOGIC CODE	FUNCTION CODE	ADD. CODE	PNA	LINE NOS.
U090AA	WOT STRG SHF		1	9422299			0752							2.1
U090AL	WOT 45 FT LBS						0752							2.4
U100AA	CLIP COL RET		1	419454			0782	45		0000	450060			2.5
U110AA	COVER ASM		1	7819738			0782	45		0000	450045			2.5
U120AA	GREASE		*	9985009			0754	87						2.5
U130AA	COLUMN ASM		1	7829693		83-BRU	0782	45		1300	450070			2.5
U130AL	COLUMN ASM		1	791158		641/697/685	0782	45		3648	450070			2.5
U130AU	COLUMN ASM		1	2000853		698	0782	45		3686	450070			2.5
U130AE	COLUMN ASM		1	791158		83-BRU	0782	45		1299	450070			3.1
U130AF						TO MFG 791158 & 2000853, USE	0782	45	60399					3.2
U130AG						7829693	0782	45	60399					3.3
U140AA	LVR, TILT LK COL		1	408239			0782	45	6062	10000	450120		MC3170	3.5
U140AA	SET ASM, IGN LK			120071252			0782	45	6062	10000	450125		MC3170	3.7

ZE05000

MODEL APPLICATION  
STEERING GEAR & COLUMN  
UPC DESCRIPTION

MODEL YEAR 1978  
ORIGIN DATE 770729  
LAST CHG. DATE 770819  
LAST CHG. CODE 0621

70 9A A 3  
BK. V. P. C. QWP PAGE





# PRODUCT DESCRIPTION MANUAL

## ASSEMBLY INFORMATION

DMT 100 REV 8/78

ENGINE CODES & SERIES

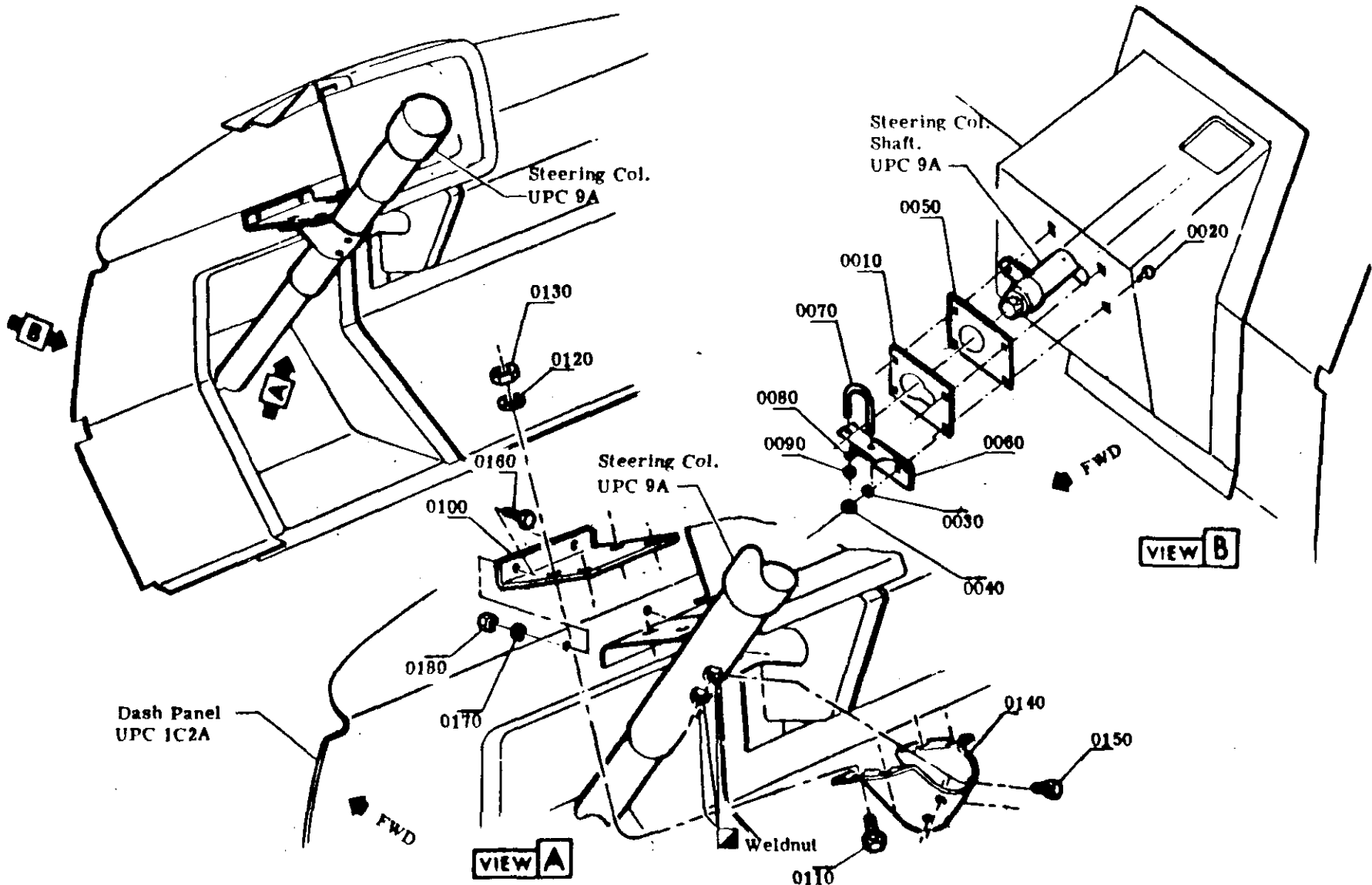
ITEM	PART OR TOOL DESCRIPTION	ADD'L DATA	QTY	PART NUMBER	ENGINE CODES	SERIES	BOY #	ITEM RESTRICTION	DEPARTMENTS		CHANGE		LOGIC CODE	FUNCTION CODE	ADDITIONAL CODES	FNA	LINE NOS
									PT	Z/STA	CD	AUTH					
0001AA	STRG WHL TO S/GP		1	L3536			83	STD	0782								1.8
0001AB	STRG WHL TO S/GP		1	L3536				641/697/698	0782								1.9
0001BA	STEERING WHEEL		1	L3818			83		0782								1.11
0010AA	BASE STRG WHL		1	1603458					0782	45			0000450075				1.15
0020AA	SCREW		3	9423769					0782	45							1.21
0020AB	12:15 IN LBS								0782	45							1.22
0030AA	NUT U		3	1493941					0782	45							1.24
0040AA	WHEEL ASM STRG		1	9758309			83	BRU	0782	45			1300450080				1.26
0040AC	WHEEL ASM STRG		1	9757112				641/697/685	0782	45			3648450080				1.27
0040AD	WHEEL ASM STRG		1	9759051				698	0782	45			3484450080				1.28
0040AE	WHEEL ASM STRG		1	9757112			83	BRU	0782	45			573161299450080				1.29
0050AA	PAD ASM		1	9759008			83	BRU	0782	45			1300450085				1.31
0050AC	PAD ASM		1	1603178				641/697/685	0782	45			3648450085				1.32
0050AD	PAD ASM		1	2001472				698	0782	45			3484450085				1.33
0050AE	PAD ASM		1	1603178			83	BRU	0782	45			573161299450085				1.34
0060AA	APPLIQUE CTR AD		1	1607526				641/685/697/698	0782	45			6040450087				1.36
0060AB	APPLIQUE CTR PAD		1	1607526			83	BRU	0782	45			573161299450087				1.37
0070AA	SHROUD STRG WHL		1	791159				641/697/685	0782	45			3548450090				1.39
0070AC	SHROUD STRG WHL		1	2000852				698	0782	45			3484450090				1.40
0070AD	SHROUD STRG WHL		1	791159			83	BRU	0782	45			573161299450090				1.41
0080AA	APPLIQUE UPR PAD		1	2028443				641/695/697/698	0782	45			6040450092				1.43
0080AB	APPLIQUE UPR PAD		1	2028443			83	BRU	0782	45			573161299450092				1.44
0090AA	APPLIQUE LMR PAD		2	2028442				641/685/697/698	0782	45			6040450094				1.46
0090AB	APPLIQUE LMR PAD		1	2028442			83	BRU	0782	45			573161299450094				1.47

1 2 3 4 5 F.M.V.S.S.	REFERENCE	ZE05000	MODEL YEAR 1978
		MODEL APPLICATION STEERING WHEEL UPC DESCRIPTION	ORIGIN DATE 770729 LAST CHG. DATE LAST CHG. CODE
			70 98 A I M V. P. G. OFF PAGE



ITEM REFERENCE     PROCESS MATERIAL     TORQUE     PART OF OR EXISTING

GMT 922 1-73



SYMBOL (Instruction) - IFS	MARK (Inspection) - IFS	DATE	SYN	REVISION	QTY	DE	EX	DEPARTMENT
<input checked="" type="checkbox"/> <input type="checkbox"/> <input type="checkbox"/> <input type="checkbox"/>		6/27/77		ORIGINAL RELEASE	47000	2		TRUCK

1978 TRUCK

TITLE: STEERING COLUMN

STEERING COLUMN SUPPORT

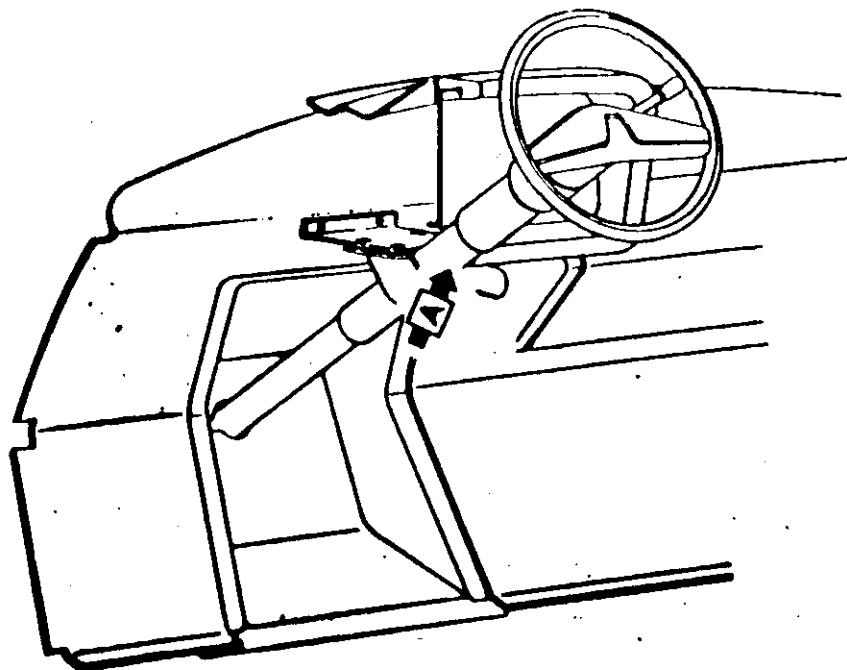
9C

1

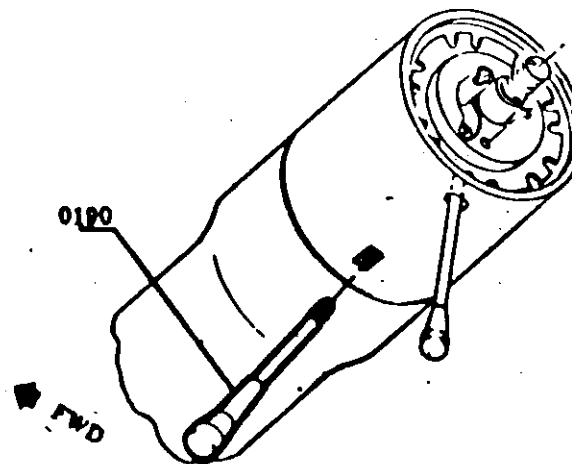
BOOK 70



GMT 922 1-73



**NOTE** Item 0200  
 Lock Set Assm.  
 Not Illustrated



**VIEW A**

**NOTE** LEVER ASM - WHEEL  
 RELEASE TORQUE LEVER  
 TO 30-40 LB. IN. DO NOT  
 APPLY TOOL TO KNOB OF  
 LEVER ASM TO OBTAIN  
 REQ'D TORQUE.

DATE	SYM	REVISION	AUTH	DR	CK	DEPARTMENTS	78 TRUCK	BOOK 70
6/27/77		ORIGINAL RELEASE	J. HARRIS			THOMPSON		
10/07/77	1	REV TO 78A (SUBGT CANCELLED)	6/28/77				LEVER-TILT LOCKING	
							NAME STEERING COLUMN SUPPORT	
							DIVISION 9C	
							SHEET 2	





ASSEMBLY INFORMATION

ITEM	PART OR TOOL DESCRIPTION	QTY	PART NUMBER	ENGINE CODES	DEPARTMENT #	CHANGE AUTH	LOGIC CODE	FUNCTION CODE	AL	LINE NOS
0001	STRG. HHL. TO S/GR	*	L3536		0782					1.8
0001	TRT. STRUCTURE L	*	L7856		0782					1.1
00010	STRG. COL. SUPT				0782					1.1

ZE05000

MODEL APPLICATION  
STEERING COLUMN SUPPORT  
VPS DESCRIPTION

MODEL YEAR 1978  
 ORIGIN DATE 770729  
 LAST CHG. DATE 770819  
 LAST CHG. CODE 0621  
 70 9C A 1  
 BK V. P. G. QRP PAGE

40-100-100-100

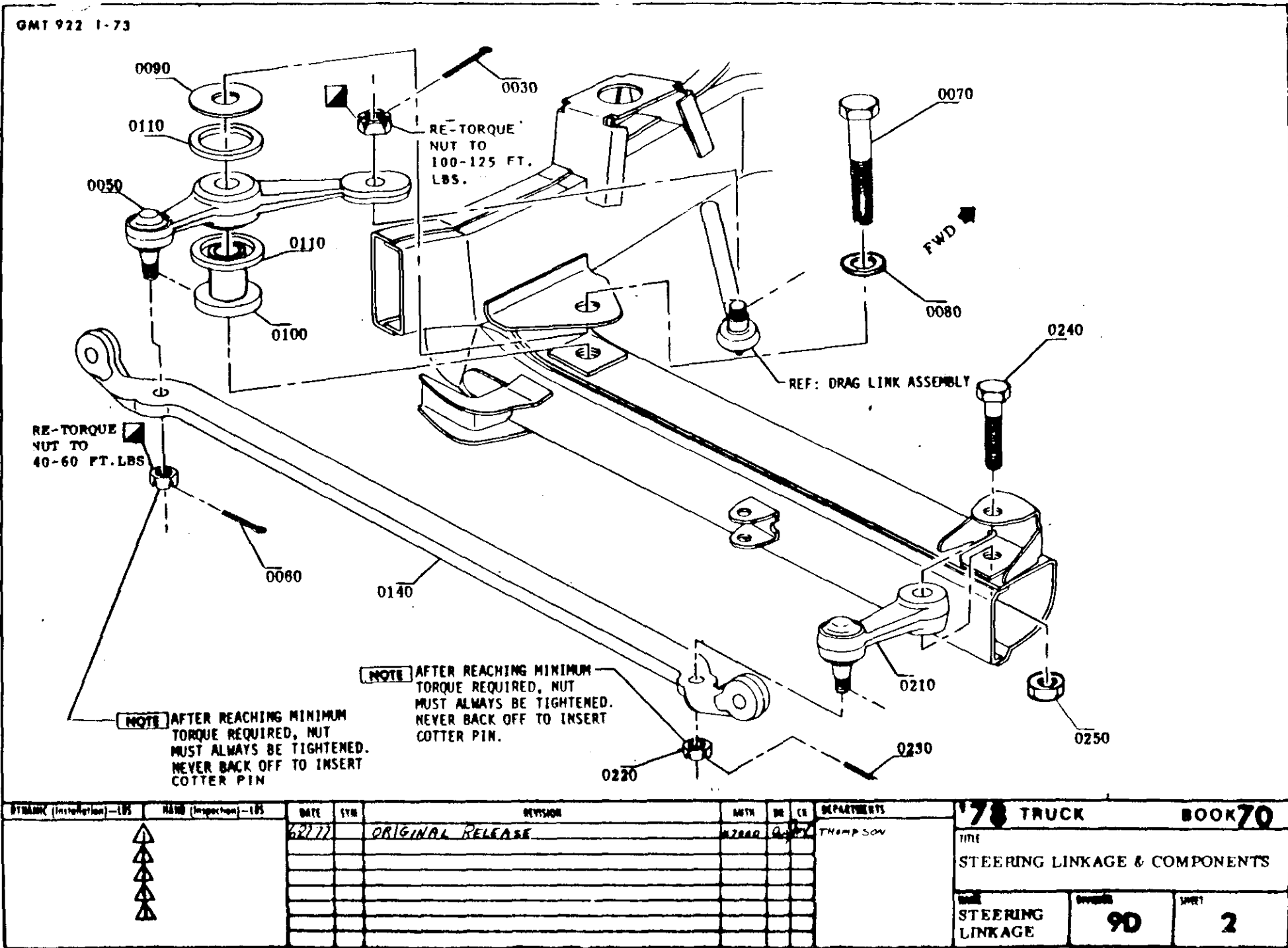
PRODUCT DESCRIPTION MANUAL

ASSEMBLY INFORMATION

ITEM NO.	PARENT ITEM DESCRIPTION	QTY	UNIT	DESCRIPTION	QTY	UNIT	DESCRIPTION	QTY	UNIT	DESCRIPTION	QTY	UNIT	DESCRIPTION	QTY	UNIT	DESCRIPTION
000000	PLATE STRG SUPT	1		696177				0782	49							
000000	BOLT STRG SUPT	4		2015420				0782	49							
000000	WA BOLT	4		2436162				0782	49							
000000	NUT 95:145 IN LB	4		9422279				0782	49							
000000	WAL SUPT	1		696174				0782	49							
000000	BRKT SUPT	1		696175				0782	49							
000000	U BOLT	1		3742177				0782	49							
000000	WA U BOLT	2		2436162				0782	49							
000000	NUT U BOLT	2		9422279				0782	49							
000000	PLATE UPR SUPT	1		724977				0782	49							
000000	BOLT	4		126216				0782	49							
000000	WA	4		2436162				0782	49							
000000	NUT 95:145 IN LB	4		9422279				0782	49							
000000	BRKT UPR SUPT	1		696177				0782	49							
000000	BOLT SUPT BRKT	4		11502764				0782	49							
000000	BOLT SUPT BRKT	2		9417950				0782	49							
000000	WA	4		2436162				0782	49							
000000	NUT 95:145 IN LB	2		9422279				0782	49							



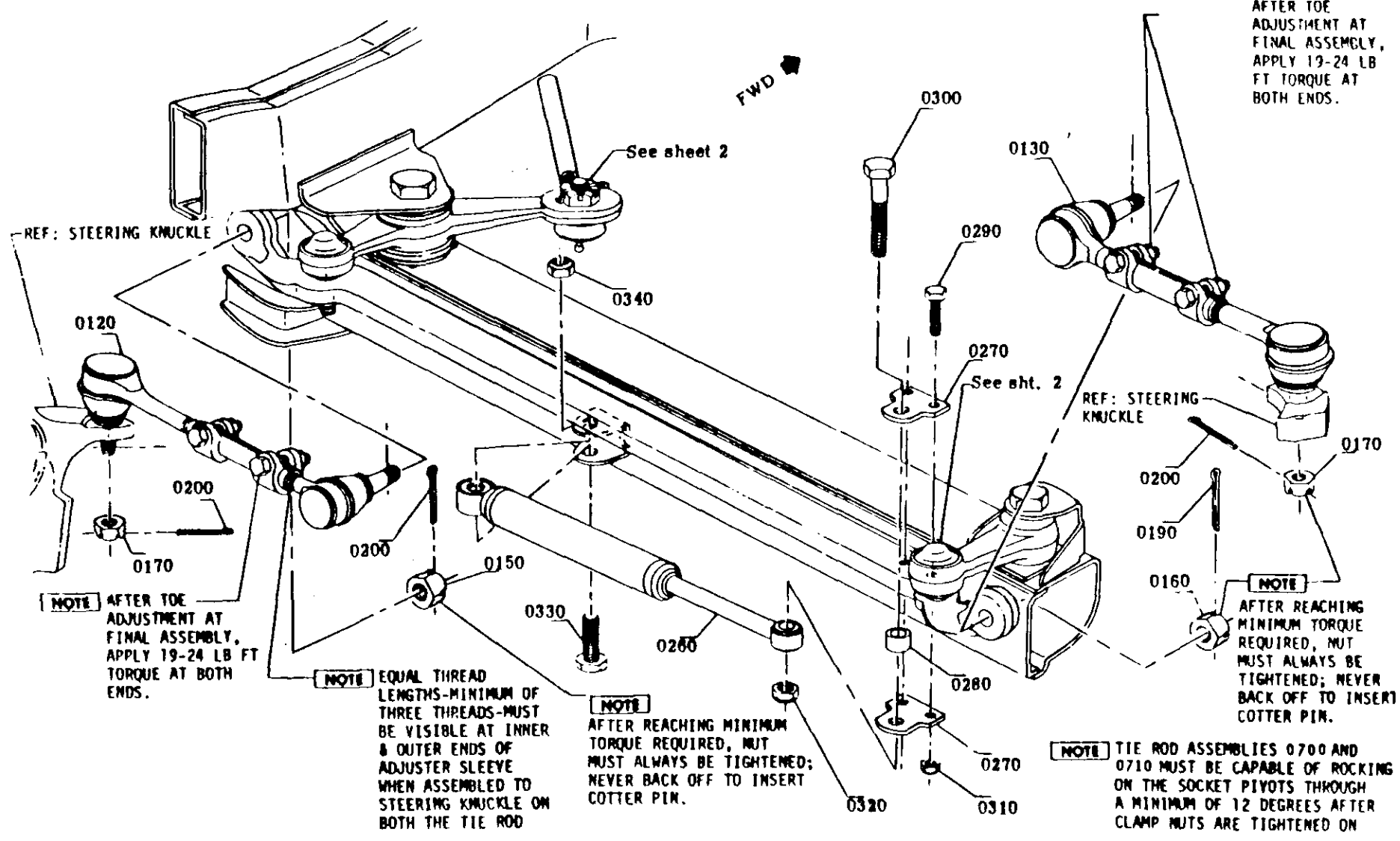
GMT 922 1-73



BY DRAWN (Installation) - LBS	MADE (Inspection) - LBS	DATE	SYM	REVISION	AUTH	DE	CR	DEPARTMENTS
▲		6/27/77		ORIGINAL RELEASE	WZBR			THOMPSON
▲								
▲								
▲								
▲								
▲								

<b>'78 TRUCK</b>		<b>BOOK 70</b>
TITLE STEERING LINKAGE & COMPONENTS		
BOOK STEERING LINKAGE	PAGES 90	SHEET 2

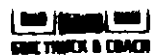
GMT 92-1-73



AFTER TOE ADJUSTMENT AT FINAL ASSEMBLY, APPLY 19-24 LB FT TORQUE AT BOTH ENDS.

DYNAMIC (Installation) - LBS	STATIC (Inspection) - LBS	DATE	SYN	REVISION	AUTH	DR	CR	DEPARTMENTS
△		6/27/71		ORIGINAL RELEASE	47000			
△								
△								
△								

78 TRUCK		BOOK 70
TITLE		
TIE ROD & LINKAGE SHOCK ABSORBER		
NAME	REVISION	SHEET
STEERING LINKAGE	90	3



PRODUCT DESCRIPTION MANUAL

ASSEMBLY INFORMATION

ITEM	PART OR TOOL DESCRIPTION	ADD'L DATA	QTY	PART NUMBER	ENGINE CODES	SERIES	BODY	ITEM RESTRICTION	DEPARTMENTS		CHANGE		LOGIC CODE	FUNCTION CODE	ADDITIONAL CODES	NA	LINE NOS
									PI	2/51A	CD	AUTH					
AA01024	P/S & MSH MTR &		*	L7173					0752								1.8
AA01024	POWER HYD LINE								0752								1.9
AA02024	S/GR TO INTER		*	L3845					0752								1.11
AA02024	TIE ROD								0752								1.12
AA03024	STRG WHL TO S/GR		*	L3536					0752								1.14
AA04024	STRG INTER TIE		*	L2773					0752								1.16
AA04024	ROD TO GRD								0752								1.17
AA05024	FRT STRUCTURE &		*	L7856					0752								1.19
AA05024	STRG COL SUPT								0752								1.20
AA06024	STRG COL LMR SHF		*	L4610					0752								1.24
AA06024	TO PINCH BOLT								0752								1.23
AA06034	ENGAGEMENT								0752								1.24
AA07024	FRT WHL ALIGN		*	L4584					0752								1.26
AA08024	P/S PUMP MTC		*	L8453					0752								1.28
AA09024	BKKT, PUL & BELT								0752								1.29
AA10024	P/S PUMP MTC		*	L3022					0752								1.31

1 2 3 4 5 P.M.V.S.	ZE05000								MODEL YEAR 1978							
									ORIGIN DATE 770730							
									LAST CHG. DATE							
									LAST CHG. CODE							
	MODEL APPLICATION								70 90 A 1							
STEERING LINKAGE & PITMAN ARM								PC. U. P. C. 978 PAGE								
UPC DESCRIPTION																
REFERENCE																

ITEM	PART OR TOOL DESCRIPTION	ADD'L DATA	QTY	PART NUMBER	ENGINE CODES	SERIES	BODY	ITEM RESTRICTION	DEPARTMENTS		CHANGE		LOGIC CODE	FUNCTION CODE	ADDITIONAL CODES	LINE NOS
									#1	2/STA	CD	AUTH				
0010AA	ARM PITMAN		1	697067					0752	67			0000670075			1.33
0020AA	LINK ASM DRAG		1	716898					0752	67			0000670080			1.35
0020AA	NOTE: RETORQUE NUT 100:125 FT LBS								0752	67						1.37
0020AA	NOTE: IN ALL PLACES WHERE A NUT & CUTTER PIN IS INSTALLED, AFTER MINIMUM								0752	67						1.38
0020AA	SPECIFIED TORQUE IS REACHED, ALWAYS ADD TORQUE TO NUT IF NECESSARY TO								0752	67						1.39
0020AA	INSERT PIN.								0752	67						1.40
0030AA	PIN STRG DRAG		2	103388					0752	67			0000670085			1.42
0040AA	FTG STRG LUB		2	9417901					0752	67			0000670090			1.44
0050AA	LEVER ASM RLY		1	697068					0752	67			0000670095			1.46
0050AA	NOTE: RETORQUE NUT 40:50 FT LBS								0752	67						1.48
0060AA	PIN CUTTER		1	103388					0752	67						1.50
0070AA	BOLT STRG RLY		1	9430934					0752	67						1.52
0070AA	250:300 FT LBS								0752	67						1.53
0080AA	WA RLY LVR PIV		1	2436168					0752	67						1.35
0090AA	WA RLY LVR PIV		1	700448					0752	67						1.57
0100AA	BUSH RLY LVR PIV		1	697069					0752	67			0000670100			1.39
0110AA	SEAL STRG		2	2398984					0752	67			0000670105			2.2
0120AA	ROD ASM TIE LH		1	7827738					0752	67			0000670235			2.4
0130AA	ROD ASM TIE RH		1	7827739					0752	67			0000670240			2.6
0140AA	ROD INTER TIE		1	7815525					0752	67			0000670245			2.8
0150AA	NUT 40:50 FT LBS		1	274428					0752	67						2.10
0160AA	NUT 40:50 FT LBS		1	274428					0752	67						2.12
0170AA	NUT 40:50 FT LBS		2	274428					0752	67						2.14
0180AA	PIN TIE ROD		1	103385					0752	67						2.16
0190AA	PIN TIE ROD		1	103385					0752	67						2.18
0200AA	PIN TIE ROD		2	103385					0752	67						2.20

1																
2																
3																
4																
5																

ZE05000

MODEL APPLICATION  
STEERING LINKAGE & PITMAN ARM

UPC DESCRIPTION

MODEL YEAR 1978  
ORIGIN DATE 770730  
LAST CHG DATE 770929  
LAST CHG CODE 70 9D A 2

SK. V. P. G. GRP PAGE



PRODUCT DESCRIPTION MANUAL  
ASSEMBLY INFORMATION

GMT 1001 REV. 9/78

GMC TRUCK & COACH

ITEM QTY	PART OR TOOL DESCRIPTION	ADD'L DATA	QTY	PART NUMBER	ENGINE CODES	SERIES	BODY BRK	ITEM RESTRICTION	DEPARTMENTS		CHANGE		LUBRIC CODE	FUNCTION CODE	ADDITION CODES	LINE NOS
									#1	2 STA	LD	AUTH				
0010AA	ARM PITMAN		1	697067					0752	67			0000670075			1.33
0020AA	LINK ASM DRAG		1	716P05					0752	67			0000670080			1.35
0021AA	NOTE: RETORQUE NUT 100:125 FT LBS								0752	67						1.37
0021AA	NOTE: IN ALL PLACES WHERE A NUT & COTTER PIN IS INSTALLED, AFTER MINIMUM								0752	67						1.38
0021AA	SPECIFIED TORQUE IS REACHED, ALWAYS ADD TORQUE TO NUT, IF NECESSARY TO								0752	67						1.39
0021AA	INSERT PIN								0752	67						1.40
0030AA	PIN STRG DRAG		2	1033P6					0752	67			0000670065			1.42
0040AA	FIG STRG LUB		2	941701					0752	67			0000670090			1.46
0050AA	LEVER ASM RLY		1	697068					0752	67			0000670195			1.46
0051AA	NOTE: RETORQUE NUT 40:60 FT LBS								0752	67						1.48
0060AA	PIN COTTER		1	1032P6					0752	67						1.50
0070AA	ROLY STRG RLY		1	9430934					0752	67						1.54
0070AA	250:300 FT LBS								0752	67						1.55
0080AA	WA RLY LVR PIV		1	24361A8					0752	67						1.55
0090AA	WA RLY LVR PIV		1	700446					0752	67						1.57
0100AA	BUSH PLY LVR PIV		1	697069					0752	67			0000670100			1.59
0110AA	SEAL STRG		2	2398984					0752	67			0000670105			2.27
0120AA	ROD ASM TIE LH		1	7827738					0752	69			0000690105			2.4
0130AA	ROD ASM TIE RH		1	7827739					0752	69			0000690110			2.6
0140AA	ROD INTER TIE		1	7815525					0752	69			0000690115			2.8
0150AA	NUT 40:50 FT LBS		1	274428					0752	67						2.10
0160AA	NUT 40:50 FT LBS		1	274429					0752	67						2.12
0170AA	NUT 40:50 FT LBS		2	274428					0752	67						2.14
0180AA	PIN TIE ROD		1	1033P5					0752	67						2.16
0190AA	PIN TIE ROD		1	1033P5					0752	67						2.18
0200AA	PIN TIE ROD		2	1033P5					0752	67						2.20

ZF05000

MODEL YEAR 1978  
ORIGIN DATE 770730  
LAST CHG. DATE  
LAST CHG. CODE

MODEL APPLICATION  
STEERING LINKAGE & PITMAN ARM  
VPS DESCRIPTION

70 9D A 2  
BK U. P. C. GPP PAGE

F.M.V.B.S.

REFERENCE





# PRODUCT DESCRIPTION MANUAL

## ASSEMBLY INFORMATION

DMT 1001 REV. 8/78

ENGINE TRUCK & CONCRETE

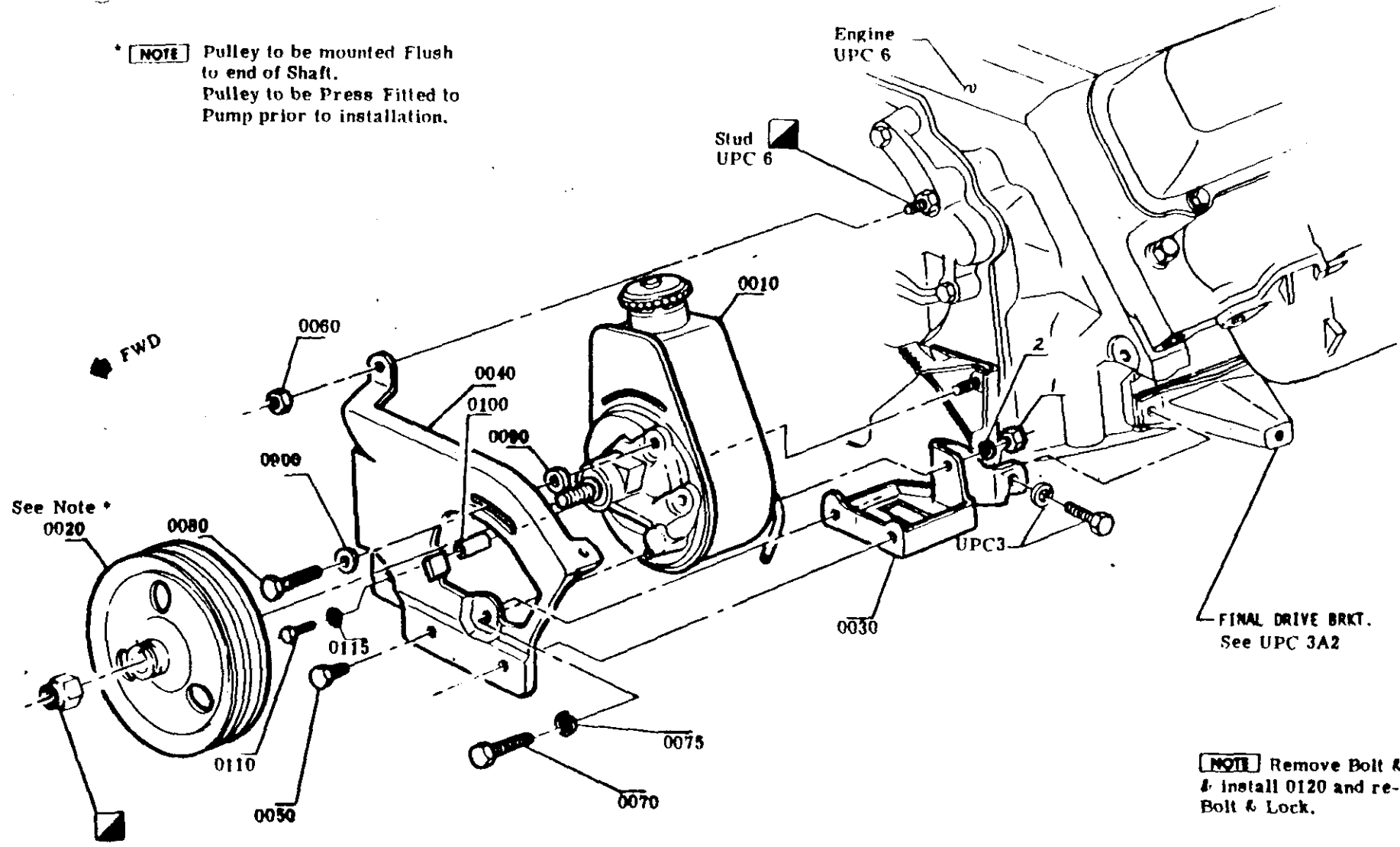
ITEM	PART OR TOOL DESCRIPTION	ADD'L DATA	QTY	PART NUMBER	ENGINE CODES	SERIES	REV	ITEM RESTRICTION	DEPARTMENTS		CHANGE		LOGIC CODE	FUNCTION CODE	ADDITIONAL CODES	PNA	LINE NOS
									#1	2/STA	CD	AUTH					
0210AA	ARM ASM IDLER		1	780596A					0752	67			0000670110				2-22
0220AA	NUT BALL STUD		1	941884A					0752	67							2-24
0220AB	40:50 FT LBS								0752	67							2-24
0230AA	PIN CUTTER		1	103385					0752	67							2-27
0240AA	BOLT ARM FRM		1	9424047					0752	67							2-29
0250AA	NUT ARM BOLT		1	9422305					0752	67							2-31
0250AB	05:116 FT LBS								0752	67							2-31
0260AA	ABSORBER ASM		1	4984784					0752	67			0000670115				2-34
0270AA	BRKT ABSORB		2	393170					0752	67			0000670120				2-36
0280AA	SPACER		1	393171					0752	67			0000670125				2-38
0290AA	BOLT BRKT/ROD		2	9430680					0752	67							2-40
0300AA	BOLT		1	9421122					0752	67							2-42
0310AA	NUT ROD BRKT		2	9422295					0752	67							2-44
0310AB	15:20 FT LBS								0752	67							2-44
0320AA	NUT S/ABS BRKT		1	9422299					0752	67							2-45
0320AB	35:45 FT LBS								0752	67							2-45
0330AA	BOLT S/ABS LINK		1	9419083					0752	67							2-50
0340AA	NUT BOLT		1	9422299					0752	67							2-52
0340AB	35:45 FT LBS								0752	67							2-52

1 2 3 4 5 P.M.V. 200	REFERENCE	ZE05000	MODEL YEAR 1978
			ORIGIN DATE 770730
			LAST CHG. DATE
			LAST CHG. CODE
		MODEL APPLICATION	70 9D A 3
		STEERING LINKAGE & PITMAN ARM	OR U. P. C. OR PAGE
		UPC DESCRIPTION	

L

GMI 921

**NOTE** Pulley to be mounted Flush to end of Shaft.  
 Pulley to be Press Fitted to Pump prior to installation.

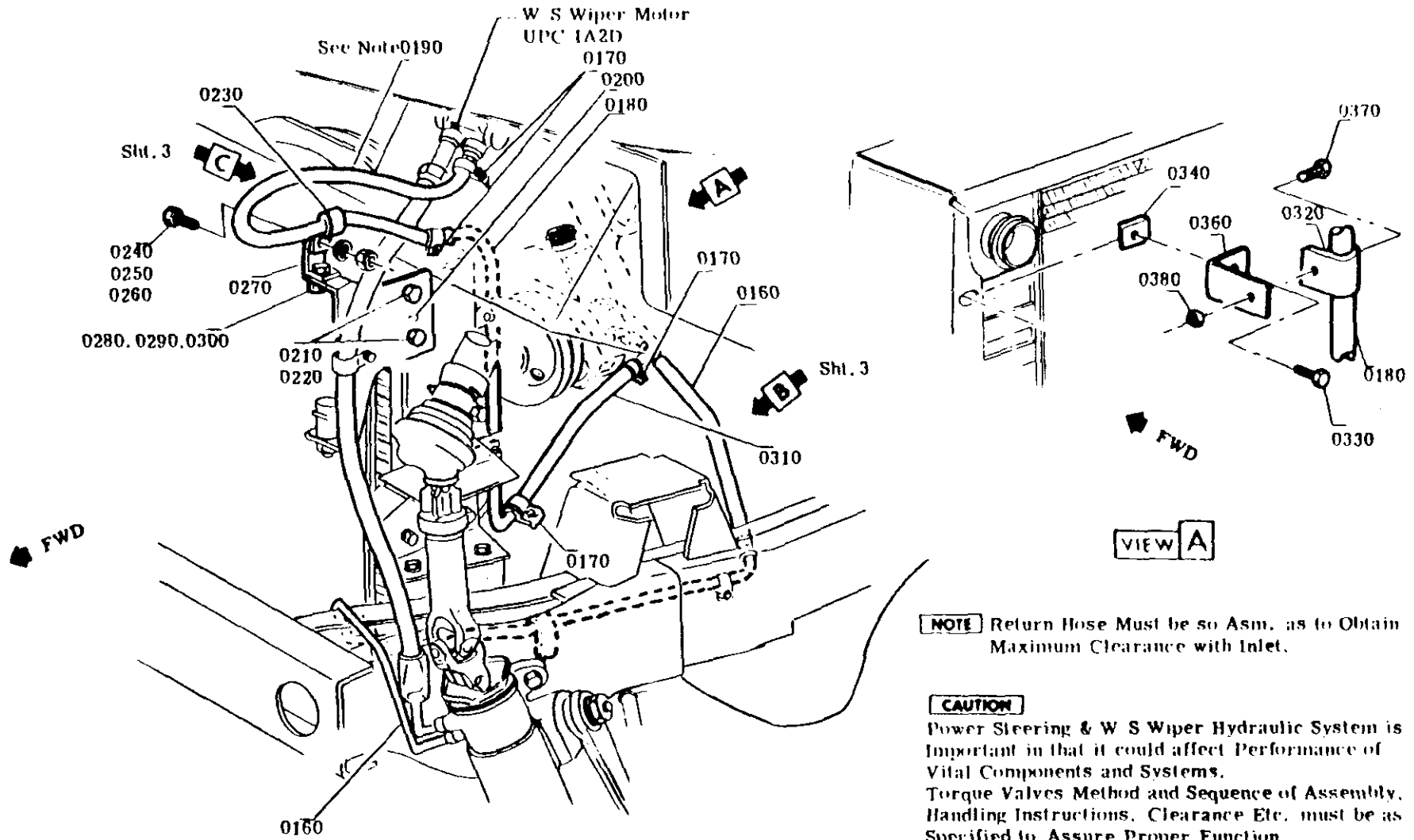


**NOTE** Remove Bolt & Lock & install 0120 and re-install Bolt & Lock.

SYNCH (Installation) - LBS	INSPECTION (Inspection) - LBS	DATE	SYM	REVISION	AMT	OR	CK	DEPARTMENT
	20-25 FT. LBS.	6-5-77		ORIGINAL RELEASE	47000	B	BT	GRIFIN

**78 TRUCK**      **BOOK 70**  
 TITLE  
**POWER STEERING PUMP**  
 NAME **POWER STEERING**   
 NUMBER **91**   
 PART **1**

GMT 922 1/75



DYNAMIC (Installation) - LBS	HARD (Inspection) - LBS	DATE	SYN	REVISION	AUTH	DR	CR	DEPARTMENTS	TRUCK	BOOK		
△		8/2/75		ORIGINAL RELEASE	47000				78	70		
△												
△												
△												
△												
△												
TITLE POWER STRG. & W SHIELD WIPER HYDR. LINES									NAME POWER STEERING		DIVISION/UPC 9E	SHEET 2





# PRODUCT DESCRIPTION MANUAL

## ASSEMBLY INFORMATION

GMT 1001 REV. 9/78

GMC TRUCK & COACH

ITEM NO.	PART OR TOOL DESCRIPTION	ADD L DATA	QTY	PART NUMBER	ENGINF CODES	SERIES	BOY BRK	ITEM RESTRICTION	DEPARTMENTS		CHANGE		LOGIC CODE	FUNCTION CODE	ADDITIONAL CODES	CNA	LINE NOS
									PL	2-STA	CD	AUTH					
0001AA	PWR STRG & MSW			18513					0752								1-8
0001AB	HTR HYD LINES								0752								1-9
0001BA	LUB CHART			MD10298					0752								1-10
0001CA	403 ENG INSTL			18679					0752								1-11
0001DA	145 AMP GEN			19251					0752								1-12

1 2 3 4 5 6 7 8 9 10 11 12 13 14 15 16 17 18 19 20 21 22 23 24 25 26 27 28 29 30 31 32 33 34 35 36 37 38 39 40 41 42 43 44 45 46 47 48 49 50 51 52 53 54 55 56 57 58 59 60 61 62 63 64 65 66 67 68 69 70 71 72 73 74 75 76 77 78 79 80 81 82 83 84 85 86 87 88 89 90 91 92 93 94 95 96 97 98 99 100	ZE05000										MODEL YEAR 1978					
											ORIGIN DATE 710730					
											LAST CHG DATE					
											LAST CHG CODE					
MODEL APPLICATION										70 9E A 1						
POWER STEERING										G.M.C. OF U.S.A.						
VTC PRODUCTION																

P.M.V.88

REFERENCE



PRODUCT DESCRIPTION MANUAL  
ASSEMBLY INFORMATION

GMT 1001 REV 5/78

ITEM	E.O. #	PART OR TOOL DESCRIPTION	ADD'L DATA	QTY	PART NUMBER	ENGINE CODES	SERIES	REV. RRM	ITEM RESTRICTION	DEPARTMENTS		CHANGE		LOGIC CODE	FUNCTION CODE	ADDITIONAL CODES	LINE NOS
										#1	2-STA	CD	AUTH				
0010AA		PUMP ASM STRG		1	7827380					0752	64			0000640055			1.17
0020AA		PULLEY ASM PUMP		1	419713				-L04	0752	64			0448640060			1.19
0020AB		PULLEY ASM PUMP		1	2025922				L04	0752	64			0425640060			1.20
0030AA		BRACKET STRG		1	555377				-L04	0752	64			0448640065			1.22
0030AB		BRACKET STRG		1	2025922				L04	0752	64			0425640065			1.23
0040AA		LINK PMP ADJ		1	555378				-L04	0752	64			0447640070			1.25
0040AB		LINK PMP ADJ		1	2020385				L04	0752	64			0425640070			1.26
0050AA		SCREW		2	9419995					0752	64						1.28
0050AB		20:25 FT LBS								0752	64						1.29
0060AA		NUT CVR BOLT		1	1359887					0752	64						1.31
0060AB		20:25 FT LBS								0752	64						1.32
0070AA		BOLT PUMP		1	9419051					0752	64						1.34
0070AB		25:30 FT LBS								0752	64						1.35
0075AA		WA LK		1	103321					0752	64						1.37
0080AA		BOLT PUMP		1	9418822					0752	64						1.39
0080AB		25:30 FT LBS								0752	64						1.40
0090AA		WA		2	3898788					0752	64						1.42
0100AA		SPACER ADJ LINK		1	555379					0752	64			0000640075			1.44
0110AA		BOLT SPACER		1	9419054					0752	64						1.46
0110AB		12:16 FT								0752	64						1.47
0115AA		WA LK		1	103321					0752	64						1.49
0160AA		HS PMP GEAR		1	702357					0752	68			0000680112			1.51
0170AA		CLAMP		4	2468869					0752	68			0000680125			1.53
0170AB		20:24 IN LBS								0752	68						1.54
0180AA		TB STRG RTN		1	2025993					0752	68			0000680130			1.56
0190AA		HS HD/RET TB		1	3773685					0752	68			0000680135			1.58
0200AA		BRKT RET TB		1	717556					0752	68			0000680140			2.1

ZE05000

MODEL YEAR 1978  
ORIGIN DATE 770730  
LAST CHG. DATE 770929  
LAST CHG. CODE  
70 9E A 2  
BY U. P. G. QTY PAGE

MODEL APPLICATION  
POWER STEERING  
VPC DESCRIPTION

F.M.V.S.S.

REFERENCE

ASSEMBLY INFORMATION

ITEM	PART OR TOOL DESCRIPTION	QTY	PART NUMBER	ENGINE	GROUP	ITEM	QTY	GROUP	ITEM	QTY	GROUP	ITEM	QTY	GROUP
021AA	BOLT BRKT	2	9417950				0752	08						
	20:25 FT LBS						0752	08						
022AA	WA BOLT	2	103320				0752	08						
023AA	CLIP RIN HS	1	2291242				0752	08						
024AA	BOLT CLIP	1	9417950				0752	08						
025AA	WA	1	9410309				0752	08						
026AA	NUT 10:15 FT LBS	1	9422275				0752	08						
027AA	BRKT RIN HS CLP	1	653296				0752	08						
028AA	BOLT BRKT	1	9419066				0752	08						
029AA	WA BRKT	1	103314				0752	08						
030AA	NUT 45:120 IN LB	1	9419912				0752	08						
031AA	HS RET TB/PMP	1	1469409				0752	08						
032AA	CLIP	2	2490119				0752	08						
033AA	SCREW	2	2015034				0752	08						
034AA	NUT 15:20 FT LBS	2	1494253				0752	08						
035AA	CLIP	1	5110070				0752	08						
036AA	BRKT RIN TB/FRM	2	653298				0752	08						
037AA	BOLT RIN TB CLP	2	9417950				0752	08						
038AA	NUT 45:145 IN LB	2	9422275				0752	08						
039AA	CLIP RIN TB	1	2490119				0752	08						
040AA	SCREW CLP/FRM	2	9422232				0752	08						
041AA	FLUID	45 KGU	9985010				0752	74						

1														
2														
3														
4														
5														
6														
7														
8														
9														
10														
11														
12														
13														
14														
15														
16														
17														
18														
19														
20														
21														
22														
23														
24														
25														
26														
27														
28														
29														
30														
31														
32														
33														
34														
35														
36														
37														
38														
39														
40														
41														
42														
43														
44														
45														
46														
47														
48														
49														
50														

2105000

MODEL APPLICATION  
POWER STEERING

UPC DESCRIPTION

MODEL YEAR 1971

ORIGIN DATE 110750

LAST CHG DATE 171000

LAST CHG CODE 61390

70 4E A 3

BK. V. P. C. GRP PAGE





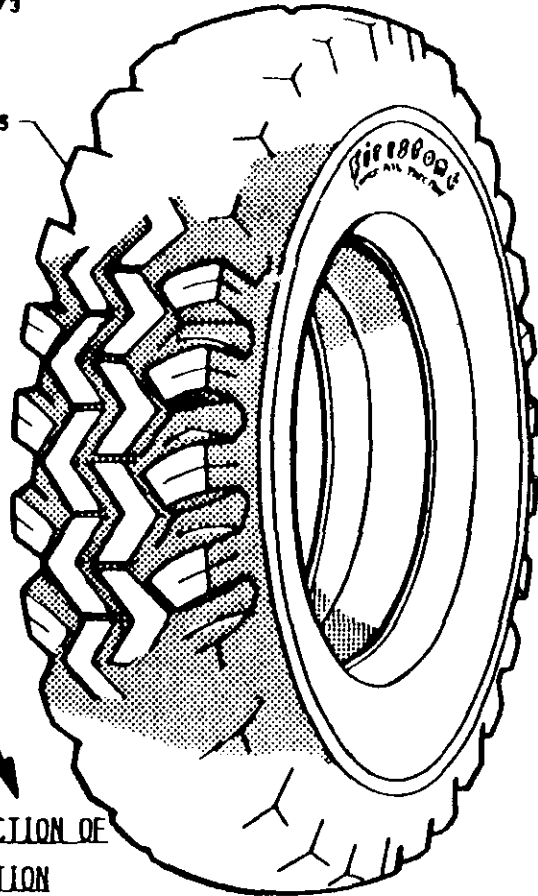






GMT 922 1-73

CROSS LUGS

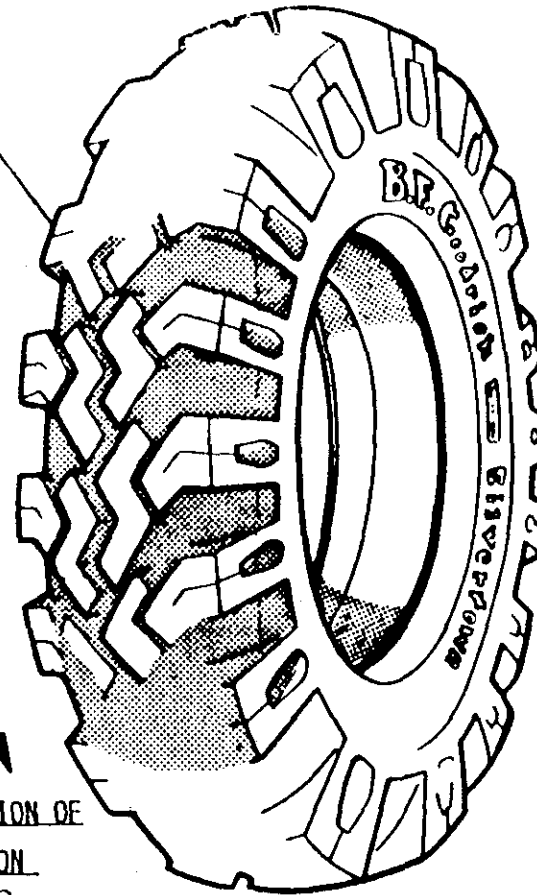


DIRECTION OF ROTATION

FWD

FIRESTONE  
SUPER ALL TRACTION

CROSS LUGS



DIRECTION OF ROTATION

FWD

B.F. GOODRICH  
EXTRA TRACTION

**NOTE** TIRES MUST BE RECEIVED WITH TUBE VALVE STEM PROPERLY ORIENTED

**NOTE** CROSS LUGS MUST ANGLE BACK WHEN TIRE IS ROTATING IN A FORWARD DIRECTION

DYNAMIC (Installation)—LBS	HAND (Inspection)—LBS	DATE	SYM	REVISION	AUTH	DR	FR	DEPARTMENTS
△		6677		ORIGINAL RECORD	47000			
△								
△								
△								
△								

<b>'78 TRUCK</b>		<b>BOOK 70</b>
TITLE TIRES DIRECTIONAL MOUNTING		
NAME WHEEL & TIRES	DIVISION <b>108</b>	SHEET <b>3</b>

PART OR TOOL DESCRIPTION	ADD L DATA	QTY	PART NUMBER	ENGINE CODES	SERIES	BODY APP	TEAM IDENTIFICATION	DEPARTMENT		LOGIC CODE	FUNCTION CODE	ADDITIONAL CODES	LINE NOS
								F1	2/51A				
AA01014 RR HUB & DRUM			* L6095				PO1/P02/STD	0782					1.8
AA02014 TIRE MTG & BAL			* MD11663					0782					1.10
AA02024 INSTR								0782					1.11
AA03014 FRT HUB & BRK			* L4330				PO1/P02/STD	0782					1.13
AA04014 MHL TIRE CHT			* MD11680				XRH/XTE/YRH/YTE/ZRH/ZTE/STD	0782					1.15
AA05014 MHL IDENT MKG			* MD11681				XRH/XTE/YRH/YTE/ZRH/ZTE/STD	0782					1.17
AA06014 TIRE UNIFORMITY			* MD11683				XRH/XTE/YRH/YTE/ZRH/ZTE/STD	0782					1.20
AA06024 SPEC								0782					1.20
AA07014 DECAL LUC DWG			* L4324					0782					1.22
AA08014 LUB CHART			* MD10298					0782					1.24
AA09014 MHL LOW SPOT			* MD14554				PNJ/STD	0782					1.26
AA09024 IDENT								0782					1.27
AA10014 SPARE TIRE CARR			* L3440				PNJ	0782					1.29
AA11014 RR HUB & DRUM			* L6095				PO1/P02/STD	0752					1.31
AA12014 TIRE MTG 7 BAL			* MD11663					0752					1.33
AA12024 INSTR								0752					1.34
AA13014 FRT HUB & BRK			* L4330				PO1/P02/STD	0752					1.36
AA14014 MHL TIRE CHT			* MD11680				XRH/XTE/YRH/YTE/ZRH/ZTE/STD	0752					1.38
AA15014 MHL IDENT MKG			* MD11681				XRH/XTE/YRH/YTE/ZRH/ZTE/STD	0752					1.40
AA16014 TIRE UNIFORMITY			* MD11683				XRH/XTE/YRH/YTE/ZRH/ZTE/STD	0752					1.42
AA16024 SPEC								0752					1.43
AA17014 DECAL LUC DWG			* L4324					0752					1.45
AA18014 LUB CHART			* MD10298					0752					1.47
AA19014 MHL LOW SPOT			* MD14554				PNJ/STD	0752					1.49
AA19024 IDENT								0752					1.50
AA20014 SPARE TIRE CARR			* L3440				PNJ	0752					1.52
AA21014 RR HUB & DRUM			* L6095				PO1/P02/STD	0756					1.54

1 2 3 4 5 6 7 8 9 10 11 12 13 14 15 16 17 18 19 20 21 22 23 24 25 26 27 28 29 30 31 32 33 34 35 36 37 38 39 40 41 42 43 44 45 46 47 48 49 50 51 52 53 54 55 56 57 58 59 60 61 62 63 64 65 66 67 68 69 70 71 72 73 74 75 76 77 78 79 80 81 82 83 84 85 86 87 88 89 90 91 92 93 94 95 96 97 98 99 100	MODEL YEAR 1978
	ORIGIN DATE 770801
	LAST CHG. DATE
	LAST CHG. CODE
MODEL APPLICATION	70 108 A 1
WHEELS & TIRES	EX. V. P. C. SEE PAGE
UP'S DESCRIPTION	

ITEM	QTY	PART OR TOOL DESCRIPTION	ADD'L DATA	QTY	PART NUMBER	ENGINE CODES	SERIES	BOY BRK	ITEM RESTRICTION	DEPARTMENTS			LOGIC CODE	FUNCTION CODE	ADDITIONAL CODES	LINE NOS
										AT	29TA	CD				
AA2014		TIRE MTC & BAL		*	MD11663					0756						1.50
AA2024		INSTR								0756						1.51
AA2014		FRT HUB & BRK		*	L4330				PO1/P02/STD	0756						1.54
AA2014		WHL TIRE CHT		*	MD11680				XRH/XTE/YRH/YTE/ZRH/ZTE/STD	0756						2.2
AA25014		WHL IDENT MKG		*	MD11681				XRH/XTE/YRH/YTE/ZRH/ZTE/STD	0756						2.4
AA26014		TIRE UNIFORMITY		*	MD11683				XRH/XTE/YRH/YTE/ZRH/ZTE/STD	0756						2.6
AA26024		SPEC								0756						2.7
AA27014		DECAL LOC DWG		*	L4324					0756						2.9
AA28014		LUB CHART		*	MD10298					0756						2.11
AA29014		WHL LOW SPOT		*	MD14554				PNJ/STD	0756						2.13
AA29024		IDENT								0756						2.14
AA30014		SPARE TIRE CARR		*	L3440				PNJ	0756						2.18
AA31014		RR HUB & DRUM		*	L6095				PO1/P02/STD	0758						2.18
AA32014		TIRE MTC & BAL		*	MD11663					0758						2.20
AA32024		INSTR								0758						2.21
AA33014		FRT HUB & BRK		*	L4330				PO1/P02/STD	0758						2.23
AA34014		WHL TIRE CHT		*	MD11680				XRH/XTE/YRH/YTE/ZRH/ZTE/STD	0758						2.25
AA35014		WHL IDENT MKG		*	MD11681				XRH/XTE/YRH/YTE/ZRH/ZTE/STD	0758						2.27
AA36014		TIRE UNIFORMITY		*	MD11683				XRH/XTE/YRH/YTE/ZRH/ZTE/STD	0758						2.29
AA36024		SPEC								0758						2.30
AA37014		DECAL LOC DWG		*	L4324					0758						2.32
AA38014		LUB CHART		*	MD10298					0758						2.34
AA39014		WHL LOW SPOT		*	MD14554				PNJ/STD	0758						2.36
AA39024		IDENT								0758						2.37
AA40014		SPARE TIRE CARR		*	L3440				PNJ	0758						2.39
0010AA		DISC & RIM ASM		8	475144				-PNJ	0758	100	57448				2.41
0010AC		DISC & RIM ASM		7	475144				PNJ	0758	100	57448				2.43
0020AA		NOT		48	701902				TORQUE 240-280 FT LBS	0752	83	CORR.				2.45

ZE06X00

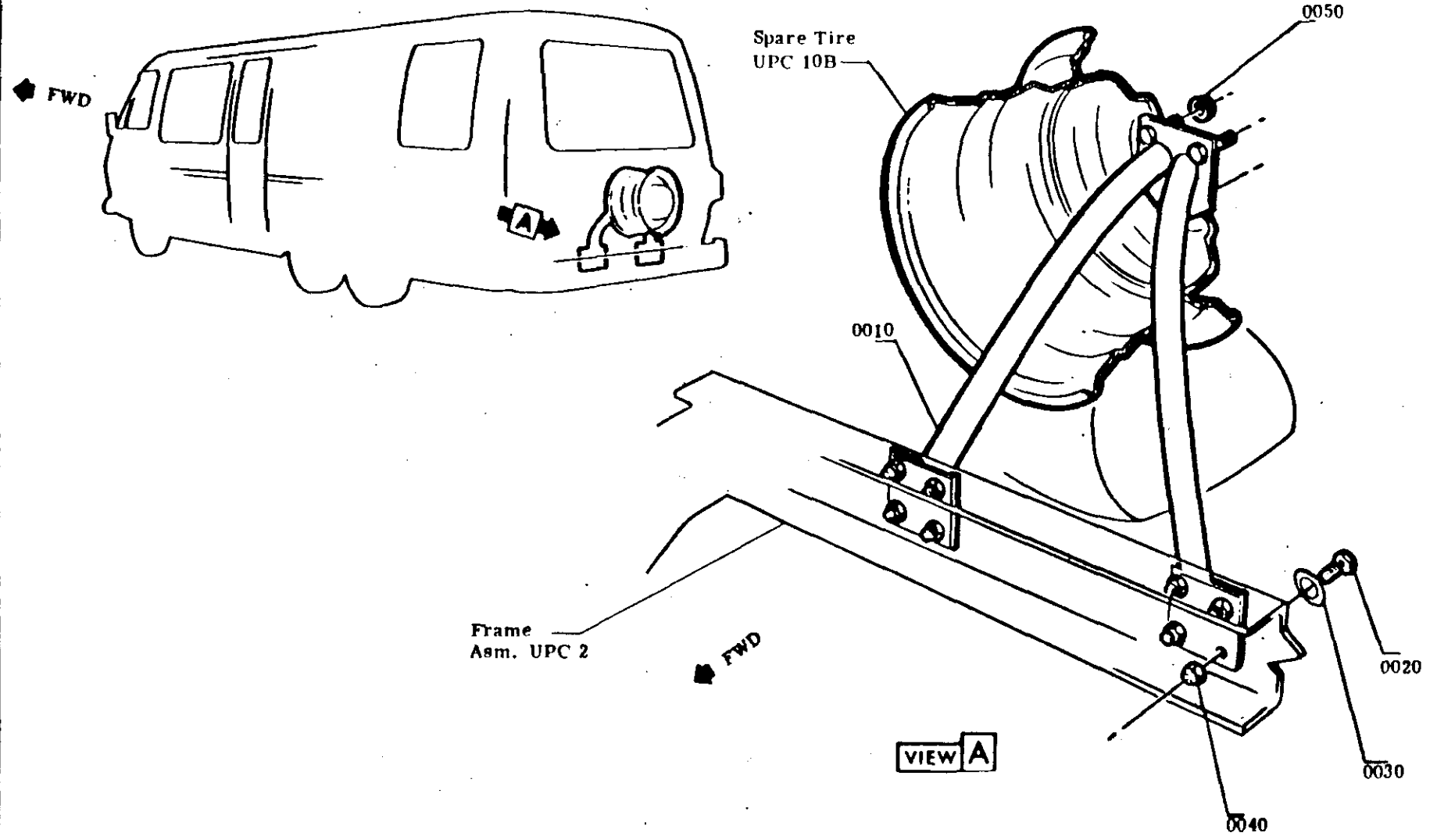
MODEL APPLICATION  
WHEELS & TIRES  
UPC DESCRIPTION

MODEL YEAR 1978  
ORIGIN DATE 770801  
LAST CHG. DATE 770929  
LAST CHG. CODE 57448  
70 108 A 2  
M. V. P. G. 8MP PAGE

ITEM	E.O.	PART OR TOOL DESCRIPTION	ADD'L DATA	QTY	PART NUMBER	ENGINE CODES	SERIES	BODY	ITEM RESTRICTION	DEPARTMENTS		CHANGE CD	AUTH	LOGIC CODE	FUNCTION CODE	ADDITIONAL CODES	LINE NOS
										#1	2/STA						
0030AA		STEM ASM		6	273487				-PNJ	0758	100						2.47
0030AC		STEM ASM		7	273487				PNJ	0758	100						2.48
0040AA		LUB VLV STEM		*	9985005					0758	100						2.50
0050AA		LABEL TIRE INFO		1	2019791				-XTE	0782	44			0450440155			2.52
0050AC		LABEL TIRE INFO		1	701899				XTE	0782	44			0452440155			2.53
0060AA		WEIGHT 1.0 OZ		*	3771620					0758	100						2.55
0070AA		WEIGHT 1.5 OZ		*	9421506					0758	100						2.57
0080AA		WEIGHT 2.0 OZ		*	3771621					0758	100						2.59
0090AA		WEIGHT 2.5 OZ		*	9421510					0758	100						3.2
0100AA		WEIGHT 3.0 OZ		*	9421512					0758	100						3.4
0110AA		WEIGHT 4.0 OZ		*	3771622					0758	100						3.6
0130AA		COVER ASM WHL		6	705439				PO1	0758	100						3.8
0130AC		COVER ASM WHL		7	705439				PO2	0758	100						3.9
0140AA		EXTENSION		6	9422872				PO1	0754	83						3.11
0140AC		EXTENSION		7	9422872				PO2	0754	83						3.12
0150AA		TIRE ASM FRT		2	9590054				-XTE	0754	83	60020				10960	3.14
0150AB		TIRE ASM FRT		2	3927094				XTE	0754	83						3.15
0160AA		TIRE ASM RR		4	9590054				-YTE	0754	83	60020				10970	3.17
0160AB		TIRE ASM RR		4	3927094				YTE	0754	83						3.18
0170AA		TIRE SPARE		1	9590054				ZRH	0754	83	60020				10950	3.20
0170AB		TIRE SPARE		1	3927094				ZTE	0754	83						3.21

F.M.V.B.S.	REFERENCE	ZE06X00	MODEL YEAR IS 78
		MODEL APPLICATION	ORIGIN DATE 770801
		WHEELS & TIRES	LAST CHG. DATE 770929
	UPC DESCRIPTION		LAST CHG. CODE 57448
			70 108 A 3
			BR. V. P. C. 09W PAGE

OMT 922 1-73



UPGRADE (Installation) - LBS	WEIGHT (Inspection) - LBS	DATE	SYM	REVISION	AUTH	DR	CK	DEPARTMENTS	TRUCK	BOOK	
<input type="checkbox"/>	<input type="checkbox"/>	5-3-77		ORIGINAL RELEASE	H7000			THOMPSON	78	70	
<input type="checkbox"/>	<input type="checkbox"/>										
<input type="checkbox"/>	<input type="checkbox"/>										
<input type="checkbox"/>	<input type="checkbox"/>										
<input type="checkbox"/>	<input type="checkbox"/>										
<input type="checkbox"/>	<input type="checkbox"/>										
<input type="checkbox"/>	<input type="checkbox"/>										
<input type="checkbox"/>	<input type="checkbox"/>										
<input type="checkbox"/>	<input type="checkbox"/>										
<input type="checkbox"/>	<input type="checkbox"/>										
<b>SPARE TIRE CARRIER</b> RPO P10									<b>SPARE WHEEL MOUNTING</b>	<b>10E</b>	<b>1</b>





# PRODUCT DESCRIPTION MANUAL

## ASSEMBLY INFORMATION

DMT 1061 REV B-78

LINE TRACK & COACH

ITEM	EQUIPMENT	PART OR TOOL DESCRIPTION	ADD'L DATA	QTY	PART NUMBER	ENGINE CODES	SERIES	BODY	ITEM RESTRICTION	DEPARTMENTS		CHANGE		LOGIC CODE	FUNCTION CODE	ADDITIONAL CODES	FNA	LINE NOS
										#1	2/STA	CD	AUTH					
AA0001		SPA TIRE CARR			L3440				P10	0754								1.8
0010CA		CARRIER ASM		1	693828				P10	0754	87		3130870185					1.21
0020CA		BOLT CARR/FRM		8	9418822				P10	0754	67							1.23
0030CA		WASHER		8	2436163				P10	0754	87							1.25
0040CA		NUT 15:20 FT LBS		8	9422277				P10	0754	87							1.27
0050CA		NUT WHL/CARR		3	701902				P10	0754	87							1.28
0050AB		60:70 FT LBS								0754	87							1.30

ZE06X00

MODEL APPLICATION  
SPARE TIRE CARRIER  
UPC DESCRIPTION

MODEL YEAR 1978  
ORIGIN DATE 770730  
LAST CHG. DATE 770929  
LAST CHG. CODE  
70 10E A 1  
BY M. P. G. SEE PAGE

F.M.V.S.S.

REFERENCE

L

ITEM	PART OR TOOL DESCRIPTION	ADD'L DATA	QTY	PART NUMBER	MFG CODE	ENGINE CODE	SERIES	BODY	ITEM RESTRICTION	DEPARTMENTS		CHANGE		LOGIC CODE	FUNCTION CODE	ADDITIONAL CODES	A	LINE NO.
										#1	2/STA	CD	AUTH					
0010AA	SPA TIRE CARR			L3440					P10	0752								1.8
0010AA	CARRIER ASM		1	693820					P10	0752	83		3130830010					1.2
0020AA	BOLT CARR/FRM		8	9418822					P10	0752	83							1.23
0030AA	WASHER		8	2436163					P10	0752	83							1.24
0040AA	NUT 15:20 FT LBS		8	9422277					P10	0752	83							1.27
0050AA	NUT MHL/CARR		3	701902					P10	0752	83							1.29
0050AB	60:70 FT LBS									0752	83							1.30

1 2 3 P.M.V.E.S.	ZE06X00										MODEL YEAR 1978	
	MODEL APPLICATION										ORIGIN DATE 710730	
	SPARE TIRE CARRIER										LAST CHG. DATE	
UPC DESCRIPTION										LAST ENG. CODE		
REFERENCE										70 10E A 1		
										DE. H. P. C. 877 PAGE		

GMT 922 8/74

UPC 11G CHASSIS SHEET METAL ORNAMENTATION

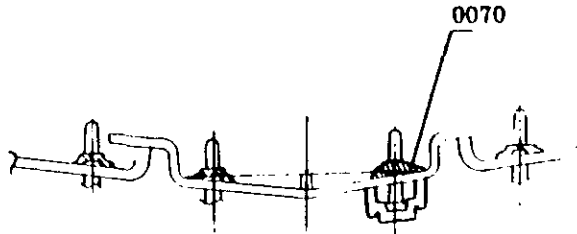
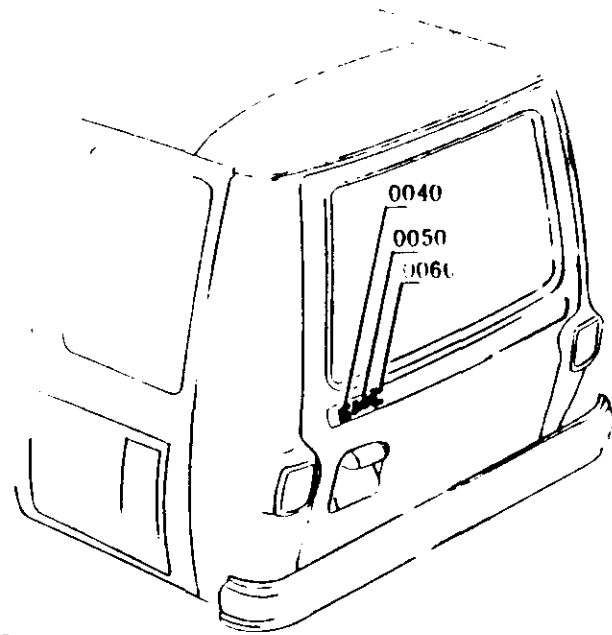
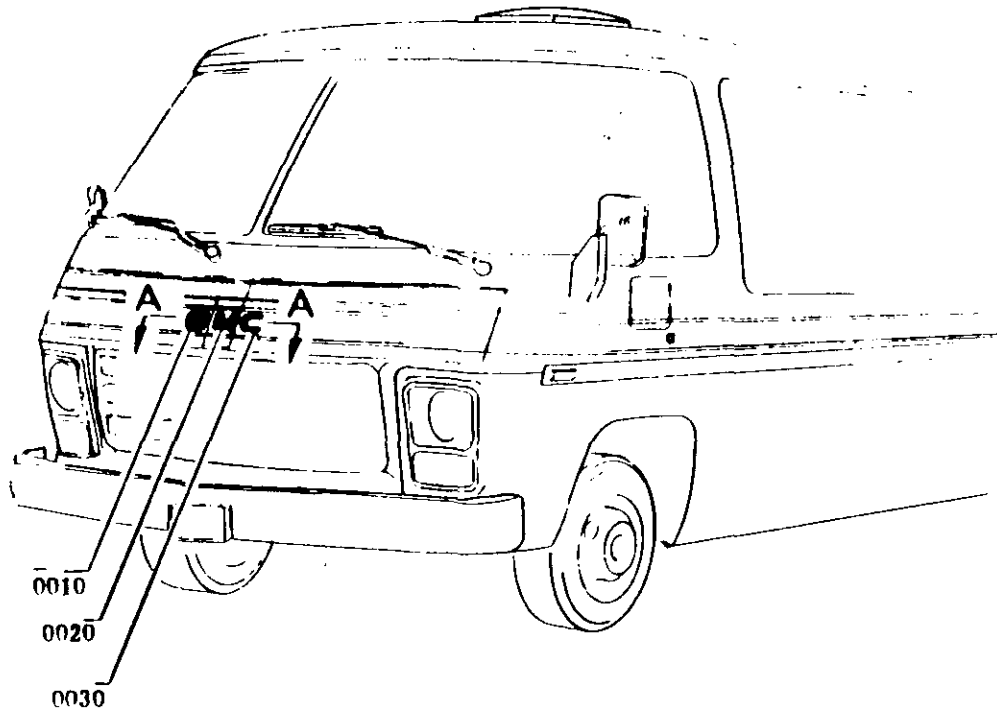
SH. #    Title:

1    G. M. C. Letters

(AUDIT)  
INDEX-1  
11G-1

DYNAMIC (Installation) - LBS	HAND (Inspection) - LBS	DATE	SYM	REVISION	AUTH	DR	EN	DEPARTMENTS	78 TRUCK    BOOK 70	
		4-77		ORIGINAL RELEASE	4-1-77				TITLE INDEX	
									NAME CHASSIS	
									DIVISION/UPC 11	
									SHEET A	
									SHT. METAL	

GMT 922 1-73



SECTION A-A  
TYPICAL

DYNAMIC (Installation) - LBS	HAND (Inspection) - LBS	DATE	SYM	REVISION	AUTH	DR	CR	DEPARTMENTS	TITLE
		11-77		SIGNAL RELEASE	4770				'78 TRUCK
									BOOK 70
									GMC LETTERS
									NAME CHASSIS
									SHT. METAL
									ORNA.
									DIVISION
									11G
									SWT
									1

- ▲
- ▲
- ▲
- ▲
- ▲

GMC TRUCK & COACH

ASSEMBLY INFORMATION

IT	PART OR TOOL DESCRIPTION	ADD'L DATA	QTY	PART NUMBER	ENGINE CODES	SERIES	DOY DRK	ITEM RESTRICTION		DEPARTMENTS		CHANGE AUTH	LOGIC CODE	FUNCTION CODE	ADDITL CODE	NA	LINE NOS
										#1	2/STA						
AA02014	RR AC1 DR FMB			* MD14411						0782							1.8
AA02024	RR AC1 DR FMB									0782							1.9
AA02014	FRT BODY PANEL			* MD14412						0782							1.11
AA02024	FMT BLY DRILL									0782							1.12
DD010AA	EMBLE* LTR C FRT		1	716479						0782	48		0000	480070			1.21
DD020AA	EMBLE* LTR M FRT		1	716498						0782	48		0000	480075			1.23
DD030AA	EMBLE* LTR C FRT		1	716499						0782	48		0000	480080			1.24
DD040AA	EMBLE* LTR C RP		1	716478						0782	48		0000	480085			1.27
DD050AA	EMBLE* LTR M RR		1	716496						0782	48		0000	480090			1.29
DD060AA	EMBLE* LTR C RR		1	716497						0782	48		0000	480095			1.31
DD070AA	MUY EMB MTG		17	9419764						0782	48						1.33

1 2 3 4 5 6 7 8 9 10 11 12 13 14 15 16 17 18 19 20 21 22 23 24 25 26 27 28 29 30 31 32 33 34 35 36 37 38 39 40 41 42 43 44 45 46 47 48 49 50 51 52 53 54 55 56 57 58 59 60 61 62 63 64 65 66 67 68 69 70 71 72 73 74 75 76 77 78 79 80 81 82 83 84 85 86 87 88 89 90 91 92 93 94 95 96 97 98 99 100	ZEO5000										MODEL YEAR 197P		
	MODEL APPLICATION										ORIGIN DATE 770730		
	CHASSIS SHEET METAL ORNAMENTATION										LAST CHG DATE		
UPC DESCRIPTION										LAST CHG CODE		70 116 A 3	
REFERENCE										BK U. P. C. QMP		PAGE	



GMT 922 B74

UPC 12A BATTERY & LEADS

Sht. #: Title:

- 1 Engine Battery Cables & Ground
- 2 Battery Cables at Magnetic Switch
- 3 Living Harness to Dash Panel
- 4 Living Harness to Circuit Breaker----ZEO6083, ZEO6583

UPC 12B BATTERY BOX & SUPPORTS

- 1 Battery Hold Down (Sub. - Asm.) ZEO6581
- 2 Battery Hold Down Retainer ZEO 6581
- 3 Battery Hold Down (Sub-Asm.) ZEO 6083, ZEO 6583
- 4 Battery Hold Down Retainer ZEO 6083, ZEO 6583

UPC 12C FRONT LAMP & TURN SIGNAL

- 1 Light Switch & Emergency Flasher
- 2 Dimmer Switch
- 3 Headlamp & Parking Lamp
- 4 Turn Signal Flasher
- 5 Turn Signal Lever & Emergency Flasher Knob
- 6 Forward Lamp Harness Clipping
- 7 Cruise Control Harness-- RPO K30

(AUDIT)  
INDEX-5  
12A-4  
12B-4  
12C-7

STANDARD (Inspection)-LBS	REVISION (Inspection)-LBS	DATE	SYD	REVISION	AUTN	DR	CR	DEPARTMENTS			
		7-19-77		ORIGINAL RELEASE	ARND	RT	LA	R. THOMPSON	78 TRUCK	BOOK 70	
									TITLE INDEX		
									NAME ELECTRICAL	DIVISION/UPC 12	SHEET A



ITEM	S E Q	PART OR TOOL DESCRIPTION	ADD'L DATA	QTY	PART NUMBER	ENGINE CODES	SERIES	DOY DRW	ITEM RESTRICTION	DEPARTMENTS		CHANGE		LOGIC CODE	FUNCTION CODE	ADDITIONAL CODES	TIME	
										BT	2/STA	CD	AUTH					
		MVSS STD. 100 CAT. 1 (HEADLAMP AND ASSOCIATED EQUIPMENT)																1.8
		IT IS MANDATORY THAT THE HEADLAMP AIM OF ALL VEHICLES BE CHECKED AND CERTIFIED BEFORE WAREHOUSING.																1.11
		HEADLAMP AIM WILL BE PERFORMED AS THE FINAL MECHANICAL OPERATION.																1.12
		HEADLAMP AIM INSTRUCTIONS																1.15
		1. PLACE THE AIMING UNIT LOCATING RING OVER THE HEADLAMP RETAINING RING WITH THE LOCATING RING AGAINST THE HEADLAMP AIMING PADS.																1.17
		2. HOLDING THE AIMING UNIT AGAINST THE HEADLAMP FACE-ROTATE UNIT UNTIL THE CROSSLEVEL BUBBLE IS CLOSE TO CENTERED- THEN PULL VACUUM KNOB BACK TO HOLD UNIT TO HEADLAMP.																1.20
		3. USING THE SAME PROCEDURE, ATTACH SECOND UNIT TO HEADLAMP ON OPPOSITE SIDE OF VEHICLE.																1.23
		4. LOOK INTO THE OPENING ON TOP OF EITHER AIMING UNIT AND LOCATE THE TARGET ON THE OPPOSITE UNIT. NOTICE YOU WILL SEE ONE-HALF OF THE TARGET IN ONE MIRROR AND ONE-HALF IN THE OTHER. WHEN THE ADJUSTMENT SCREW ON THE SIDE OF THE HEADLAMP IS TURNED, ONE-HALF OF THE TARGET IMAGE MOVES ONE WAY AND ONE-HALF THE OTHER. WHEN THE TWO HALVES ARE ALIGNED- THAT HEADLAMP IS IN CORRECT HORIZONTAL ADJUSTMENT.																1.25
		5. TURN THE ADJUSTING SCREW ON TOP OF THE HEADLAMP UNTIL THE BUBBLE IN THE VIAL RUNNING LENGTHWISE OF THE AIMING UNIT IS CENTERED BETWEEN LINES. THE HEADLAMP NOW IS IN CORRECT VERTICAL ADJUSTMENT.																1.26
		6. REPEAT STEPS #4 AND #5 ON SECOND UNIT TO BRING OPPOSITE HEADLAMP INTO CORRECT HORIZONTAL AND VERTICAL ADJUSTMENT.																1.28
		7. RELEASE VACUUM KNOB AND REMOVE AIMING UNITS FROM VEHICLE.																1.29
		CHECKING FIXTURE (USED TO CALIBRATE HEADLIGHT AIMERS) TL#353853																1.31
		HOPKINS "LEV-L-C" TYPE HEADLAMP AIMERS (MODEL B-4) TL#356133																1.32
		NOTE: HEADLIGHT AIMER MUST BE CALIBRATED AND CERTIFIED BY THE INSPECTION DEPT. AT THE BEGINNING OF EVERY SHIFT. AIMERS THAT HAVE BEEN DROPPED OR DAMAGED MUST BE RE-CALIBRATED AND CERTIFIED BEFORE USE.																1.33
		PROCESS DOCUMENTATION: THIS PROCESS WILL REQUIRE SPECIAL TRAINING OF OPERATORS FOR PROPER SEQUENCE OF OPERATION AND PROPER USE OF TOOLS.																1.34
		APPROVED BY: <i>[Signature]</i>																1.35
		DATE: 8/27/77																1.36

P.M.V.B.	1077 PSM	2E05XXX	MODEL YEAR 1978
			ORIGIN DATE
REFERENCE	MODEL APPLICATION	HEADLAMP	LAST CHG. DATE
			LAST CHG. CODE
			70 12 51 1
			DK U. P. C. GRP PAGE

ITEM	PART OR TOOL DESCRIPTION	ADD'L DATA	QTY	PART NUMBER	ENGINE CODES	SERIES	BODY	ITEM RESTRICTION	DEPARTMENTS		CHANGE CD	LOGIC AUTH	LOGIC CODE	FUNCTION CODE	ADDITIONAL CODES	LINE NOS
									#1	2/51A						
	MVSS STD. JOB CAT. 1 (LAMPS AND ASSOCIATED EQUIPMENT)															1.0
	DUE CARE MUST BE EXERCISED IN HANDLING AND INSTALLATION OF VEHICLE IDENTIFICATION CLEARANCE LAMPS AND SIDE MARKER LAMPS:															1.11 1.12
	1. LAMPS SHOULD BE STORED IN THE ORIGINAL PROTECTIVE SHIPPING CONTAINERS WITH PAPER SEPARATORS IN PLACE TO AVOID CRACKS, CHIPS, AND SCRATCHES.															1.15 1.16
	2. STOCK SHOULD BE ROTATED REGULARLY TO AVOID AGING OR DAMAGE.															1.18
	3. DAMAGED CLEARANCE LAMPS OR SIDE MARKER LAMPS SHOULD NEVER BE USED.															1.20
	4. CLEARANCE AND SIDE MARKER LAMP LENSES MUST BE COVERED WITH EITHER ALUMINUM COATED PRESSURE SENSITIVE TAPE OR A FORMED PROTECTIVE SHEILD TO PREVENT POSSIBLE OPTICAL IMPAIRMENT, LENS WARPAGE IF VEHICLE IS TO GO THRU PAINT REPAIR OVENS (THIS INCLUDED ALL SURFACES EXPOSED TO HEAT)															1.22 1.23 1.24 1.25
	5. DUE CARE SHOULD BE TAKEN TO AVOID GETTING PAINT ON LAMP ASM.															1.27
	6. THE WASHING OF LAMP ASSEMBLIES WITH SOLVENTS AND THE WRITING OF NUMERAL ON LAMP LENS WITH ANY MATERIAL NOT APPROVED BY MATERIALS ENGINEERING DEPT IS PROHIBITED.															1.29 1.30 1.31
	NOTE: ALL DAMAGED OR INOPERATIVE LAMP AND ASSOCIATED EQUIPMENT MUST BE REPAIRED OR REPLACED BEFORE VEHICLES ARE SHIPPED.															1.34 1.35 1.36
	PROCESS DOCUMENTATION: THIS PROCESS UTILIZES STANDARD TOOLS AND EQUIPMENT FOR WHICH THE CAPABILITIES ARE WELL ESTABLISHED.															1.40 1.41 1.42
	APPROVED BY: <i>James E. Pugh</i>															1.47
	DATE: <i>8/1/77</i>															1.47

SYD 108 CAT. 1 LAMPS & REFLECTORS	1977 PDM	ZE03XX	MODEL YEAR 1978 ORIGIN DATE 770804 LAST CHG. DATE LAST CHG. CODE 70 12 S2 1 BK V. P. C. SHP PAGE
REFERENCE		MODEL APPLICATION LAMPS & REFLECTORS VTC DESCRIPTION	

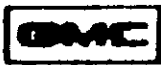


ITEM	PART OR TOOL DESCRIPTION	ADD'L DATA	QTY	PART NUMBER	ENGINE CODES	SERIES	REV	ITEM RESTRICTION	DEPARTMENTS		CHANGE		LOGIC CODE	FUNCTION CODE	ADDITIONAL CODES	REV
									#1	2/STA	CD	ALITH				
	MVSS STD. 101 CAT. 2 (FRONT END WIRING)															1.8
	DUE CARE MUST BE EXERCISED BY ALL PERSONNEL INVOLVED IN THE HANDLING AND INSTALLATION OF MOTOR VEHICLE EQUIPMENT CONTROL ILLUMINATION COMPONENTS SUCH AS: WIRE HARNESS ASSEMBLIES, LIGHT BULBS, FIBER OPTIC TAPE, AND/OR CONTROL IDENTIFICATION UNIT ASSEMBLIES.															1.11 1.12 1.13
	<b>MANDATORY PROCESS</b>															1.16
	1. OPEN WIRE HARNESS AND/OR FIBER OPTIC UNIT ASSEMBLY SHIPPING CARTONS BY RELEASING THE TOP FLAPS OF CARTON ONLY. DO NOT USE A KNIFE, RAZOR BLADE OR ANY OTHER SHARP INSTRUMENT TO CUT OPEN CARTONS TO PREVENT ANY DAMAGE TO WIRE HARNESS, FIBER OPTIC TAPE OR CONTROL IDENTIFICATION UNIT ASSEMBLIES.															1.18 1.19 1.20 1.21
	2. DUE CARE MUST BE EXERCISED BEFORE AND AFTER ASSEMBLY TO ASSURE THAT LIGHT BULBS AND FIBER OPTIC TAPE ARE FUNCTIONAL AND NOT BROKEN OR DAMAGED.															1.24 1.25
	3. EACH HARNESS OR WIRE MUST BE HELD SECURELY IN PLACE BY CLIPS OR OTHER DESIGNATED HOLDING DEVICES TO PREVENT CHAFING OF INSULATION. WIRES MUST BE SCRAPED AND REPLACED IF INSULATION HAS BECOME CRACKED OR DETEIORATED IN ANY WAY.															1.26 1.29 1.30
	4. ALL ELECTRICAL CONNECTIONS MUST BE KEPT CLEAN. WIRING CONNECTOR TERMINALS SHOULD BE CHECKED FOR PROPER ALIGNMENT TO ENSURE THAT THEY ARE PROPERLY SEATED IN CONNECTOR CAVITIES.															1.33 1.34
	5. ROTATE STOCK REGULARLY, UNAUTHORIZED SUBSTITUTIONS ARE NEVER PERMITTED.															1.37
	PROCESS DOCUMENTATION: THIS PROCESS UTILIZES STANDARD TOOLS AND EQUIPMENT OF WHICH THE CAPABILITIES ARE WELL ESTABLISHED.															1.50 1.51
	APPROVED BY: <i>[Signature]</i>															1.53
	DATE: <i>8/1/77</i>															1.55

1 2 3 4 5 P.M.V.88	STD 101 CAT. 2 WIRING	1977 PDM	2E05XXX	MODEL YEAR 1978
	REFERENCE	MODEL APPLICATION WIRING UPC DESCRIPTION	ORIGIN DATE LAST CHG DATE LAST CHG. CODE	70 12 53 1 BR U. F. C. GRP PAGE

ITEM	QTY	PART OR TOOL DESCRIPTION	ADD'L DATA	QTY	PART NUMBER	ENGINE CODES	SERIES	BODY BSK	ITEM RESTRICTION	DEPARTMENTS		CHANGE		LOGIC CODE	FUNCTION CODE	ADDITIONAL CODES	LINE NOS
										#1	2/STA	CD	AUTH				
		MVSS STD. 101 CAT. 2 (LIGHT SWITCHES)															1.0
		DUE CARE MUST BE EXERCISED BY ALL PERSONNEL INVOLVED IN THE HANDLING AND INSTALLATION OF VEHICLE CONTROL IDENTIFICATIONS, CONTROL SWITCHES AND GAGES, AND CONTROL ILLUMINATION COMPONENTS.															1.10
		1. OPEN WIRE HARNESS AND/OR FIBER OPTIC UNIT ASSEMBLY SHIPPING CARTONS BY RELEASING THE TOP FLAP OF CARTON ONLY. DO NOT USE A KNIFE, RAZOR BLADE OR ANY OTHER SHARP INSTRUMENT TO CUT OPEN CARTONS TO PREVENT ANY DAMAGE TO WIRE HARNESS, FIBER OPTIC TAPE OR CONTROL ILLUMINATION UNIT ASSEMBLIES.															1.14
		2. DUE CARE MUST BE EXERCISED BEFORE AND AFTER ASSEMBLY TO ASSURE THAT LIGHT BULBS AND FIBER OPTIC TAPE ARE FUNCTIONAL AND NOT BROKEN OR DAMAGED.															1.20
		3. WIRE HARNESS, FIBER OPTIC TAPE, AND/OR SWITCH AND GAGE CONTROL CABLES MUST BE HELD SECURELY IN PLACE BY CLIPS OR OTHER DESIGNATED HOLDING DEVICE TO PREVENT CHAFING OF INSULATION. WIRES AND/OR FIBER OPTIC TAPE MUST BE REPLACED IF THE INSULATION HAS BECOME CRACKED OR DETERIORATED IN ANY WAY.															1.24
		4. ALL ELECTRICAL CONNECTIONS MUST BE KEPT CLEAN. CONNECTOR TERMINALS SHOULD BE CHECKED FOR PROPER ALIGNMENT TO INSURE THAT THEY ARE PROPERLY SEATED IN CONNECTOR CAVITIES.															1.30
		5. ROTATE STOCK REGULARLY. UNAUTHORIZED SUBSTITUTIONS ARE NEVER PERMITTED.															1.34
		6. VEHICLE CONTROL IDENTIFICATIONS, CONTROL SWITCHES, GAGES, AND CONTROL ILLUMINATION COMPONENTS SHOULD BE STORED IN ORIGINAL CONTAINERS.															1.36
		PROCESS DOCUMENTATION: THE PROCESS UTILIZES STANDARD TOOLS AND EQUIPMENT OF WHICH THE CAPABILITIES ARE WELL ESTABLISHED.															1.50
		APPROVED BY:	<i>[Signature]</i>														1.53
		DATE:	11/17/79														1.55

1	STD 101	1977 PDH	ZE05XXX	MODEL YEAR 1978
2	CAT. 2			ORIGIN DATE
3	LIGHT SWITCHES			LAST CHG. DATE
4				LAST CHG. CODE
5				70 12 SA 1
	P.M.V.8.0	REFERENCE	MODEL APPLICATION LIGHT SWITCHES UPC DESCRIPTION	DE. V. P. C. 877 PAGE



GMT 922 8/74

UPC 12E REAR LAMPS

Sht. #:    Item:

- 1       Stop Lamp & License Lamp
- 2       Tail Lamp Switch Asm.
- 3       Stop Lamp Switch Adjustments  
& Speed Control Switch RPO K30

UPC 12G HORN SWITCH & MOUNTING

- 1       Horn Asm.
- 2       Horn Switch ZEO6581
- 3       Horn Insulator ZEO6083, ZEO6583.

(AUDIT)  
12E-3  
12G-3

DYNAMIC (Installation) - LBS	PAID (Inspection) - LBS	DATE	SYD	DEVISION	ADTH	DR	ER	DEPARTMENTS	TRUCK	BOOK
		7-19-72		ORIGINAL RELEASE	ARNDT	JA		R THOMPSON	70	70
									INDEX	
									ELECTRICAL	12
										B




GMT 922 1/75

UPC 12H - FUSE, BULBS & CHASSIS WIRING

Sht. #	Title:	Restrictions:
1	Side Body Harness - LH	-ZEO6083
2	Side Body Harness - LH	-ZEO6583, ZEO6581
3	Side Body Harness - LH	
4	Side Body Harness - LH	
5	Side Body Harness - LH	
6	Side Body Harness - LH	
7	Air Suspension Sensor - Harn. Routing	
8	Air Suspension Sensor - Wiring	
9	Air Suspension Compressor Wiring	- ZEO6581
10	Air Suspension Compressor Wiring	- ZEO6083, ZEO6583
11	Side Body Harness - RH	-ZEO6083
12	Side Body Harness - RH	-ZEO6581, ZEO6583
13	Front Roof Wiring Harness	
14	Front Roof Wiring Harness	
15	Roof Marker Lamps - Bulb	
16	Leveling Control Switch	
17	Dome Lamp Bulb	
18	Fuel Tank Wiring	
19	Rear Wiring Harness	
20	Rear Wiring Harness	
21	Trailer Wiring	----- W'UPA

Sht. #:	Title:	Restrictions:
22	Ground Strap to Body	
23	Engine Wiring	
24	Generator Wiring	
25	Engine Harness Wiring	
26	Instrument Panel & Lever Control Harness	
27	Instrument Cluster Wiring	
28	Dash Panel Wiring	
29	Dash Panel Elec. Component Wiring	
30	Dash Panel Elec. Component Wiring--W L04	
31	Heater Harn. Routing & Windshield Washer Wiring	
32	Horn Wiring	
33	Heater Resistor	

(AUDIT)  
12H-33

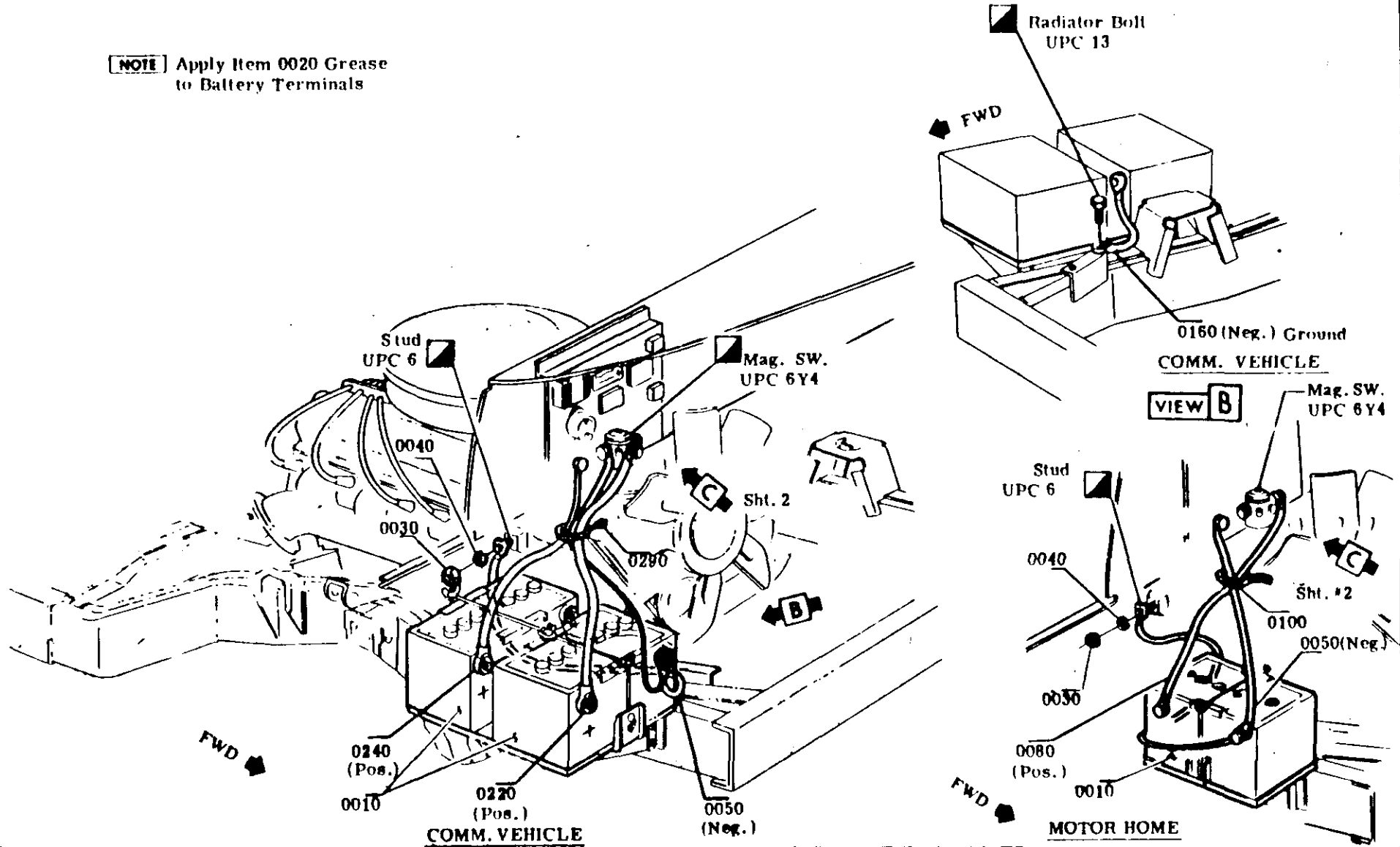
<input type="checkbox"/> OPENED (Installation) - LBS <input type="checkbox"/> PARTS (Inspection) - LBS 	DATE 7-19-77 8-25-77 /	SYN /	REVISION ORIGINAL RELEASE SHT 33 ADDED	AUTH 12000 BT 5397 G	DE /	CE /	DEPARTMENTS J. THOMPSON SHERIDAN	'78 TRUCK '	BOOK 70
TITLE INDEX								DIVISION/UPC ELECTRICAL 12	SHEET C





GMT 922 1-73

**NOTE** Apply Item 0020 Grease to Battery Terminals



DYNAMIC (Installation) - LBS	RAID (Inspection) - LBS	DATE	SYM	REVISION	AUTH	DN	CE	DEPARTMENTS
△		6/7/77		ORIGINAL RELEASE				
△								
△								
△								
△								

**78 TRUCK**      **BOOK 70**

TITLE  
**ENGINE BATTERY CABLES & GROUND**

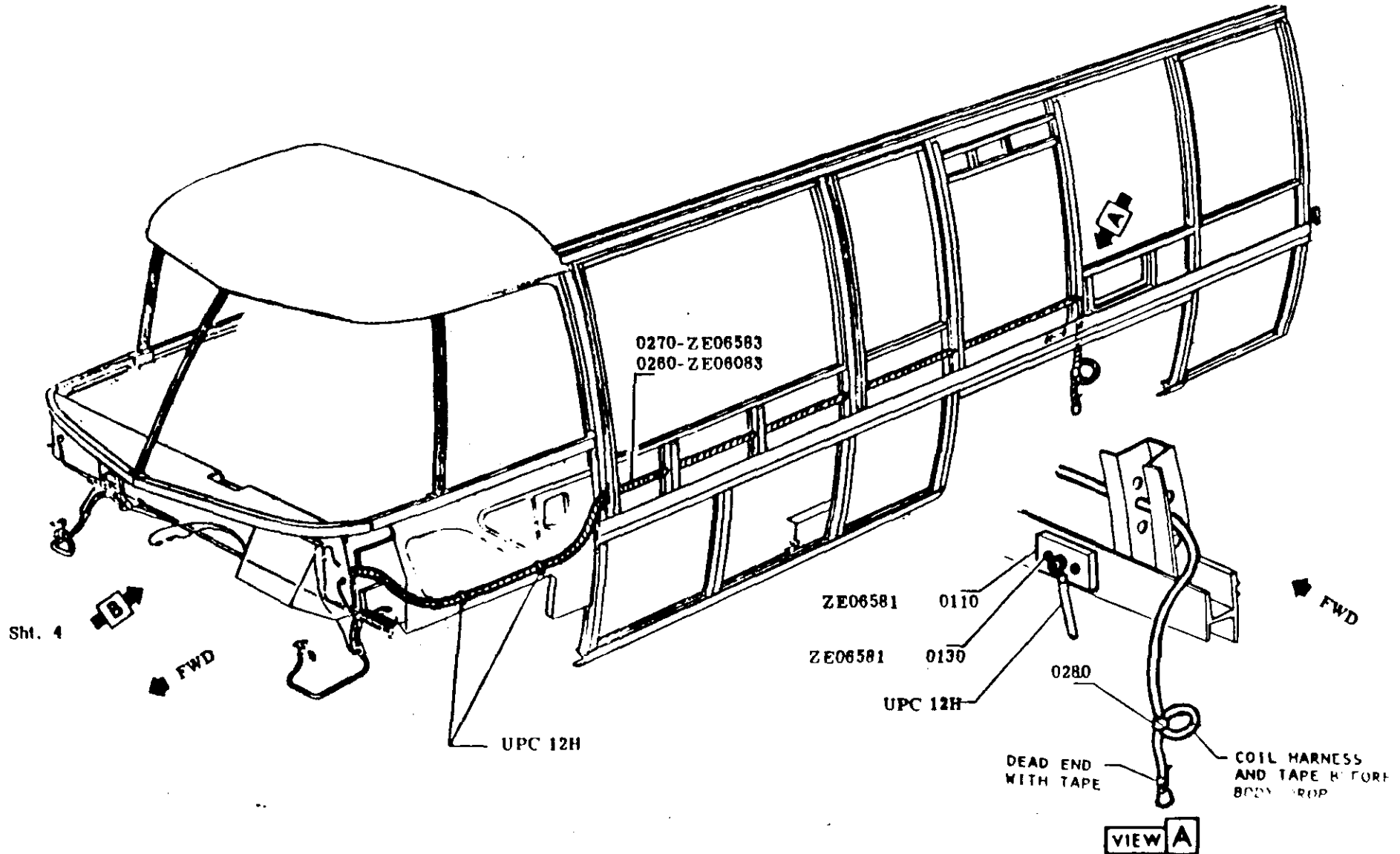
**BATTERY & LEADS**      **12A**      **1**







GMT 922 1-73

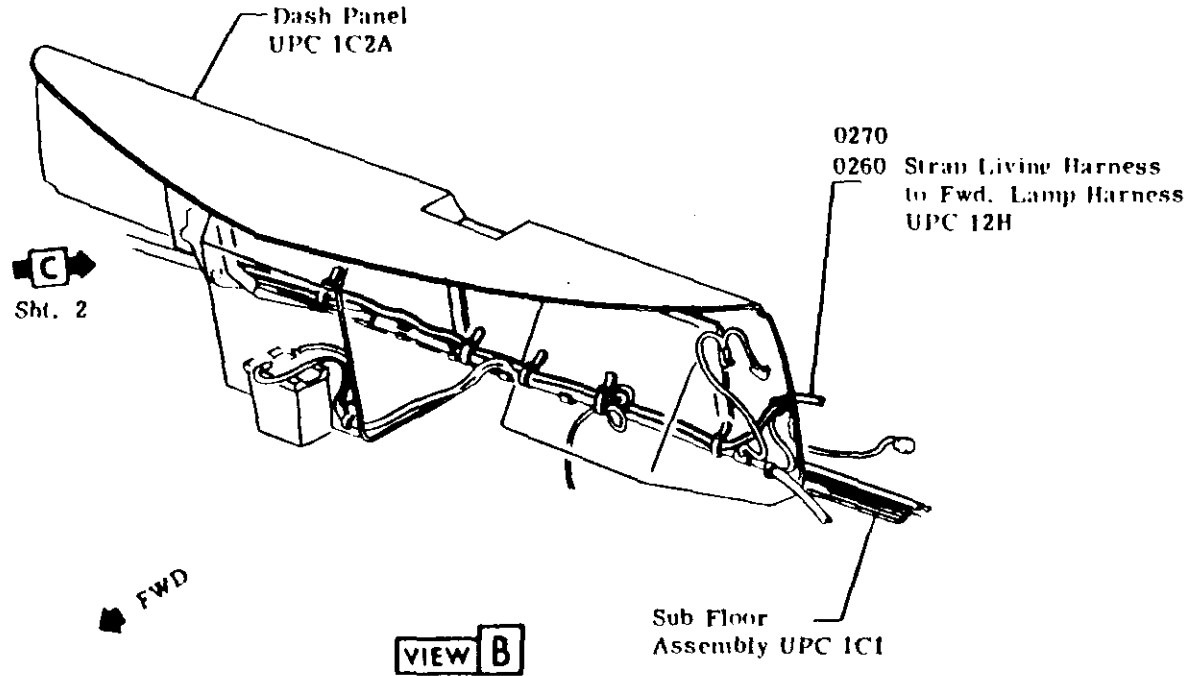


SYNOPSIS (Installation) - LBS	NAME (Inspection) - LBS	DATE	SYM	REVISION	AUTH	DR	CE	DEPARTMENTS	'78 TRUCK	BOOK 70
<input checked="" type="checkbox"/> <input checked="" type="checkbox"/> <input checked="" type="checkbox"/> <input checked="" type="checkbox"/>		4.17		ORIGINAL RELEASE					TITLE	
									LIVING HARNESS TO DASH PANEL	
									DATE	
									BATTERY & LEADS	
									12A	
									SHEET	3



□ ITEM REFERENCE    ◇ PROCESS MATERIAL    △ FORGON    ▣ PART OF OR EXISTING

GMT 922 1-75



BY (Drawn) (Installation) - LBS	MADE (Inspection) - LBS	DATE	SYM	REVISION	AUTH	DR	CR	DEPARTMENTS	TITLE
		11/11/75		ORIGINAL RELEASE	W. J. J.	AN	THOMPSON		<b>'78 TRUCK</b> <b>BOOK 70</b>
									LIVING HARNESS TO CIRCUIT BREAKER ZEO6083, ZEO6583
									NAME: BATTERY & LEADS      DIVISION/UPC: <b>12A</b> SHEET: <b>4</b>





PRODUCT DESCRIPTION MANUAL  
ASSEMBLY INFORMATION

ITEM	PART OR TOOL DESCRIPTION	ADD'L DATA	QTY	PART NUMBER	ENGINE CODES	SERIES	REV	ITEM RESTRICTION	DEPARTMENTS #1	2/STA	CHANGE CD	AJTH	LOGIC CODE	FUNCTION CODE	ADDITION CODES	LINE NOS
AA01014	ENG & CHAS WRG		*	LR752			P1		0782							1.8
AA02024	ENG & CHAS WRG		*	LR680			P3		0782							1.9
AA02014	LUP CHART		*	MD10298					0782							1.11
AA03014	LH SI BODY WRG		*	MD12914			P1		0782							1.12
AA04014	HARN DRILL								0782							1.14
AA04014	LH SI BODY WRG		*	MD12915		65	P3		0782							1.16
AA04024	HARN DRILL								0782							1.17
AA05014	LH SI BODY WRG		*	MD12916		60	P3		0782							1.19
AA05024	HARN DRILL								0782							1.20
AA06014	403 ENG ACSRY		*	LR679					0782							1.22
AA06024	INSTL								0782							1.23
AA07014	ENG & CHAS WRG		*	LR752			P1		0754							1.25
AA07024	ENG & CHAS WRG		*	LR680			P3		0754							1.26
AA08014	LUP CHART		*	MD10298					0754							1.28
AA09014	LH SI BODY WRG		*	MD12914			P1		0754							1.30
AA09024	HARN DRILL								0754							1.31
AA10014	LH SI BODY WRG		*	MD12915		65	P3		0754							1.33
AA10024	HARN DRILL								0754							1.34
AA11014	LH SI BODY WRG		*	MD12916		60	P3		0754							1.36
AA11024	HARN DRILL								0754							1.37
AA12014	403 ENG ACSRY		*	LR679					0754							1.39
AA12024	INSTL								0754							1.40
AA13014	ENG & CHAS WRG		*	LR752			P1		0752							1.42
AA13024	ENG & CHAS WRG		*	LR680			P3		0752							1.43
AA14014	LUP CHART		*	MD10298					0752							1.45
AA15014	LH SI BODY WRG		*	MD12914			P1		0752							1.47
AA15024	HARN DRILL								0752							1.48
AA16014	LH SI BODY WRG		*	MD12915		65	P3		0752							1.50
AA16024	HARN DRILL								0752							1.51
AA17014	LH SI BODY WRG		*	MD12916		60	P3		0752							1.53
AA17024	HARN DRILL								0752							1.54

1 2 3 4 5 P.M.V.S.R.	REFERENCE	ZFO5000	MODEL YEAR IS 7P
			ORIGIN DATE 770601
			LAST CHG DATE
		MODEL APPLICATION	LAST CHG CODE
		BATTERY & LEADS	70 12A A 1
		UPC DESCRIPTION	BR U. P. C. GPP PAGE



# PRODUCT DESCRIPTION MANUAL

## ASSEMBLY INFORMATION

QNT 1001 REV. 8/78

GEN. PURPOSE & CODE

ITEM	PART OR TOOL DESCRIPTION	ADD'L DATA	QTY	PART NUMBER	ENGINE CODES	REMARKS	REV	ITEM RESTRICTION	DEPARTMENT		CHANGE AUTH	LOGIC CODE	FUNCTION CODE	ADDITIONAL CODES	PNA	LINE NOS
									BT	2/8TA						
AA100A	403 ENG ACSRY		*	1A679					0752							1-54
AA100Z	INSTL								0752							1-57
0010AA	BATTERY ASM		1	1980402					0752	67		0000670130				1-58
0010AC	BATTERY ASM		2	1980402					0752	67		0000670130				1-59
0020AA	GREASE BAT TERM		*	9985007					0752	67						2-3
0030AA	MUT BAT GRD/ENG		1	120377					0752	61						2-5
0030AB	25:30 FT LBS								0752	61						2-6
0040AA	WASHER LOCK		1	138489					0752	61						2-8
0050AA	CABLE BAT NEG		1	12000943					0752	61		0000610115				2-10
0050AB	CABLE BAT NEG		1	8910954					0752	61		0000610115				2-11
0060AA	SCREW @ ELEC PLT		1	9422404					0754	87						2-13
0070AA	NA LR		1	120423					0754	87						2-15
0080AA	CABLE BAT POS		1	12000224					0754	87		0000870095				2-17
0090AA	CBL J/BLK MAG SW		1	12000942					0782	37		0000370010				2-19
0100AA	STRAP ASM		1	8877974					0754	87		0000870100				2-21
0110AA	BLCK		2	700955					0782	37		0000370015				2-23
0120AA	SCREW		2	156258					0782	37						2-25
0130AA	SCREW		2	449249					0782	37						2-27
0140AA	WASHER		2	138538					0782	37						2-29
0150AA	MUT		2	120376					0782	37						2-31
0160AA	CBL AUX BAT GRD		1	8910953					0752	61		0000610120				2-33
0220AA	CABLE ASM		1	8910948					0754	87		0000870105				2-35
0230AA	CBL J/BLK MAG SW		1	12000942					0782	37		0000370020				2-38
0240AA	CBL BAT POS AUX		1	12000945					0754	87		0000870110				2-40
0250AA	CBL MAG SW C/BRK		1	12000944					0754	87		0000870115				2-42
0260AA	CBL LIVING AREA		1	12000168					0704	12		0000120005				2-44

1 2 3 4 5 6 7 8 9 10 11 12 13 14 15 16 17 18 19 20 21 22 23 24 25 26 27 28 29 30 31 32 33 34 35 36 37 38 39 40 41 42 43 44 45 46 47 48 49 50 51 52 53 54 55 56 57 58 59 60 61 62 63 64 65 66 67 68 69 70 71 72 73 74 75 76 77 78 79 80 81 82 83 84 85 86 87 88 89 90 91 92 93 94 95 96 97 98 99 100	ZE05000		MODEL YEAR 1978
			ORIGIN DATE 770801
			LAST CHG. DATE
			LAST CHG. CODE
MODEL APPLICATION		70 12A A 2	
BATTERY & LEADS		M. P. S. 878 P. 888	
UPC DESCRIPTION			

# PRODUCT DESCRIPTION MANUAL

## ASSEMBLY INFORMATION

DMT 1001 REV. 8/78

SKID TRUCK & CRACKER

ITEM	PART OR TOOL DESCRIPTION	ADD'L DATA	QTY	PART NUMBER	ENGINE CODES	SERIES	REV	ITEM RESTRICTION	DEPARTMENTS		CHANGE		LOGIC CODE	FUNCTION CODE	ADDITIONAL CODES	PNA	LINE NOB
									#1	2/STA	CD	AUTH					
027UAA	CBL LIVING AREA			112000167		65	83		0704	12			0000	120010			2-44
028UAA	TAPE			R35A1A			83		0704	12							2-44
029UAA	STRAP ASM			8877974			83		0754	87			0000	870120			2-50
030UAA	BLACK BAT JUNCT			700955			83		0782	37			0000	370025			2-52
031UAA	SCREW			156258			83		0782	37							2-54

ZE05000

MODEL APPLICATION

BATTERY & LEADS

VPS DESCRIPTION

MODEL YEAR 1978

ORIGIN DATE 770801

LAST CHG. DATE

LAST CHG. CODE

70 12A A 3

BY H. C. S. SEE PAGE

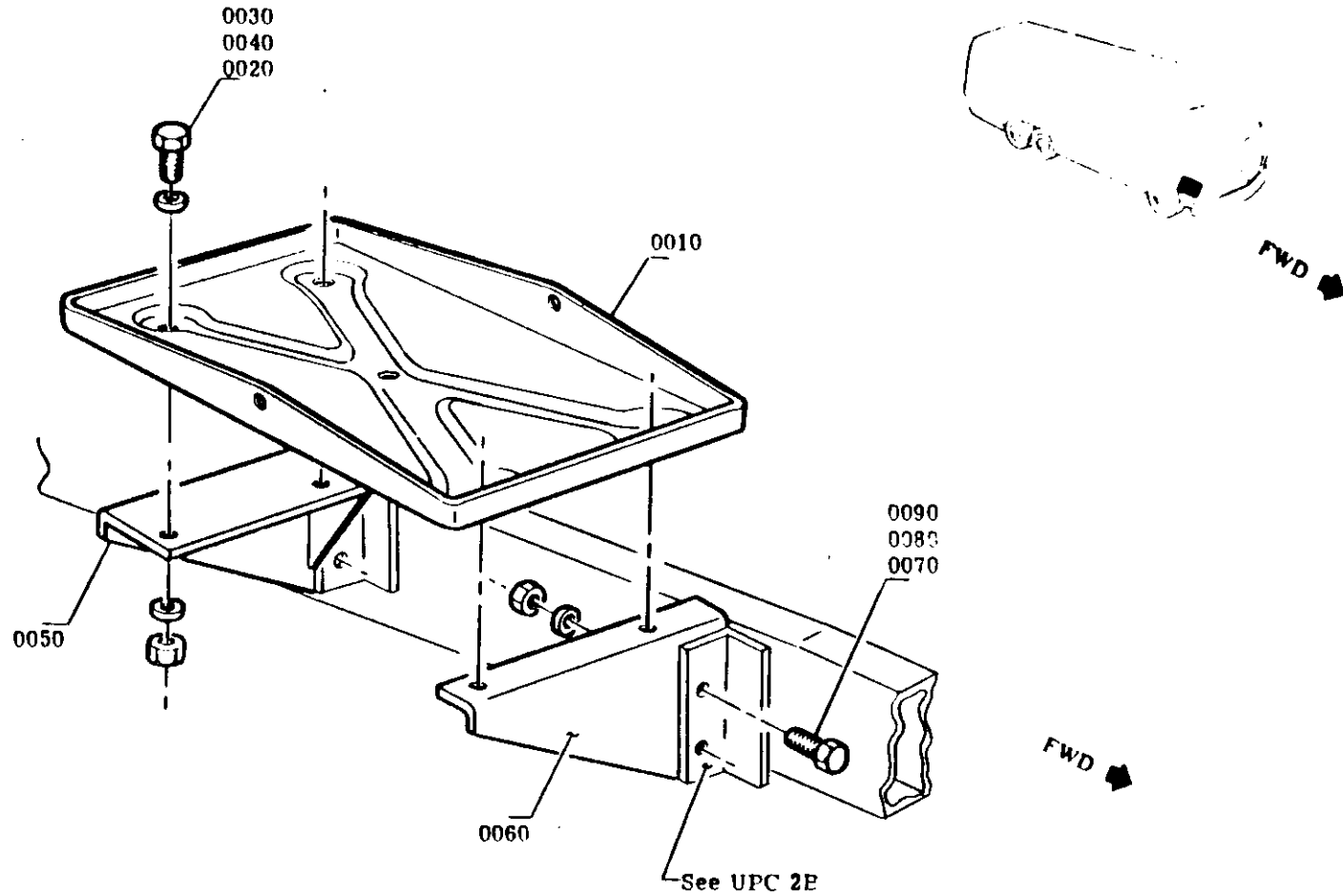
1  
2  
3  
4  
5  
6  
7  
8  
9  
10  
11  
12  
13  
14  
15  
16  
17  
18  
19  
20  
21  
22  
23  
24  
25  
26  
27  
28  
29  
30  
31  
32  
33  
34  
35  
36  
37  
38  
39  
40  
41  
42  
43  
44  
45  
46  
47  
48  
49  
50

F.M.Y.88

DESCRIPTION



GMT 922 1/75

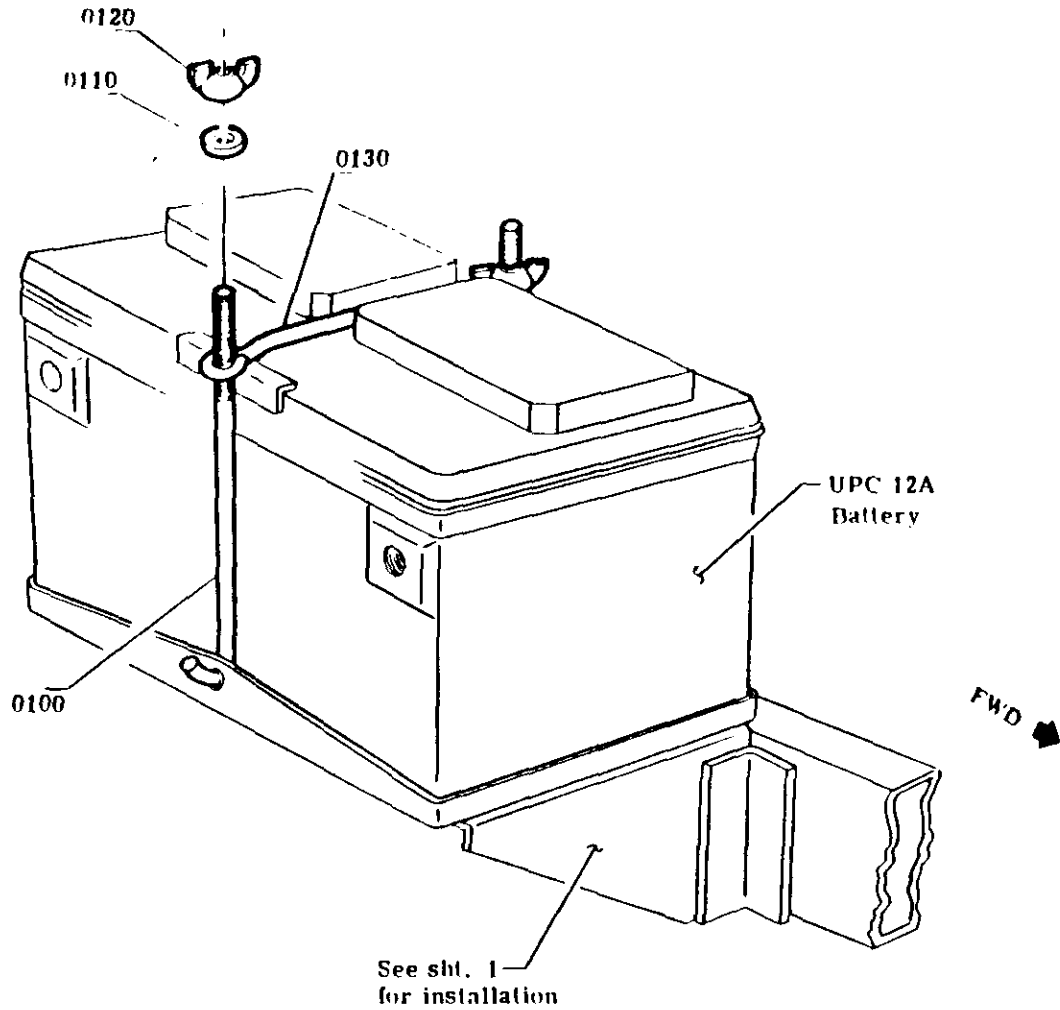


BY/DATE (Installation) - (LBS)	BY/DATE (Inspection) - (LBS)	DATE	SYM	REVISION	AUTH	DR	ES	DEPARTMENTS	78 TRUCK	BOOK 70
				UP-101-11 RELEASE				R Thompson	TITLE	
									BATTERY HOLD DOWN (SUB-ASM.)	
									(SEE 658)	
									NAME	DIVISION/UPC
									BATTERY	12B
									BOX & SUPT.	SHEET
										1





GMT 922 1-75



BY (Name) (Initials) - LPS	DATE	SYN	REVISION	AUTH	DR	EN	DEPARTMENTS	TITLE
△ △ △ △			CONTINUING REVISION				K. Thompson	78 TRUCK BOOK 70
								BATTERY HOLD DOWN RETAINER ZE06581
								NAME: BATTERY BOX & SUPT. DIVISION/UPC: 12B SHEET: 2







# PRODUCT DESCRIPTION MANUAL

## ASSEMBLY INFORMATION

ITEM	PART OR ITEM DESCRIPTION	QTY	PART NUMBER	ALTERNATE CODES	UNIT	PLANT	ITEM DESCRIPTION	QTY	PLANT	ITEM DESCRIPTION	QTY	PLANT	ITEM DESCRIPTION	QTY	PLANT
000000	BAT SUPT ASM	1	U7954												
000001	BAT HILD LN	1	U7947												
001000	TRAY ASM BAT	1	2005494						0752	67			0000670180		
001500	BRACKET TRAY	2	2005492						0752	67			0000670180		
002000	BOLT TRAY BRKT	4	9437568						0752	67	01350				
002500	NUT BOLT	4	9422275						0752	67					
003000	WASHER BOLT	8	9418304						0752	67					
003500	BOLT TRAY	4	9418822						0752	67					
004000	BRKT ASM	1	790630						0752	67			0000670160		
004500	BRKT TRAY FRK	1	2005492						0752	67			0000670170		
005000	BOLT BRKT	4	9418822						0752	67					
005500	WASHER BRKT	4	2436163						0752	67					
006000	NUT BRKT	4	9422277						0752	67					
006500	BOLT TRAY	2	3826708						0752	67					
007000	WASHER TRAY	2	9418304						0752	67					
007500	NUT TRAY	2	142745						0752	67					
008000	RETAINER BAT	1	533308						0752	67			0000670150		
008500	STUD RET	4	3826708						0752	67					
009000	WASHER	4	9418304						0752	67					
009500	NUT	4	142745						0752	67					
010000	RETAINER ASM	4	533308						0752	67			0000670150		

ZE 06X00

MODEL APPLICATION  
BATTERY BOX & SUPPORTS  
UPC DESCRIPTION

MODEL YEAR 1976  
ORIGIN DATE 770801  
LAST CHG DATE 11008  
LAST CHG CODE 61390  
70 120 A 1  
BK U. P. C. GRP PAGE

REFERENCE

944 041 944

GM 1061 REV. 5.75

GM DESIGNATION

MODEL DESCRIPTION MANUAL

ASSEMBLY INFORMATION

ITEM	QTY	PARTS LIST	DESCRIPTION	UNIT	QTY	QTY	UNIT	QTY	QTY	UNIT	QTY	QTY	UNIT	QTY	QTY	UNIT	QTY
12	AA		PLATE			1	2006274										
13	AA		BOLT			8	9417950										
14	AA		WASHER			16	2436162										
15	AA		NOI			8	9422275										

2E06X00

MODEL YEAR IS 66  
 ORIGIN DATE 770801  
 LAST CHG DATE 771008  
 LAST CHG CODE 61320  
 7U 12B A 2  
 BK U P C DRP PAGE

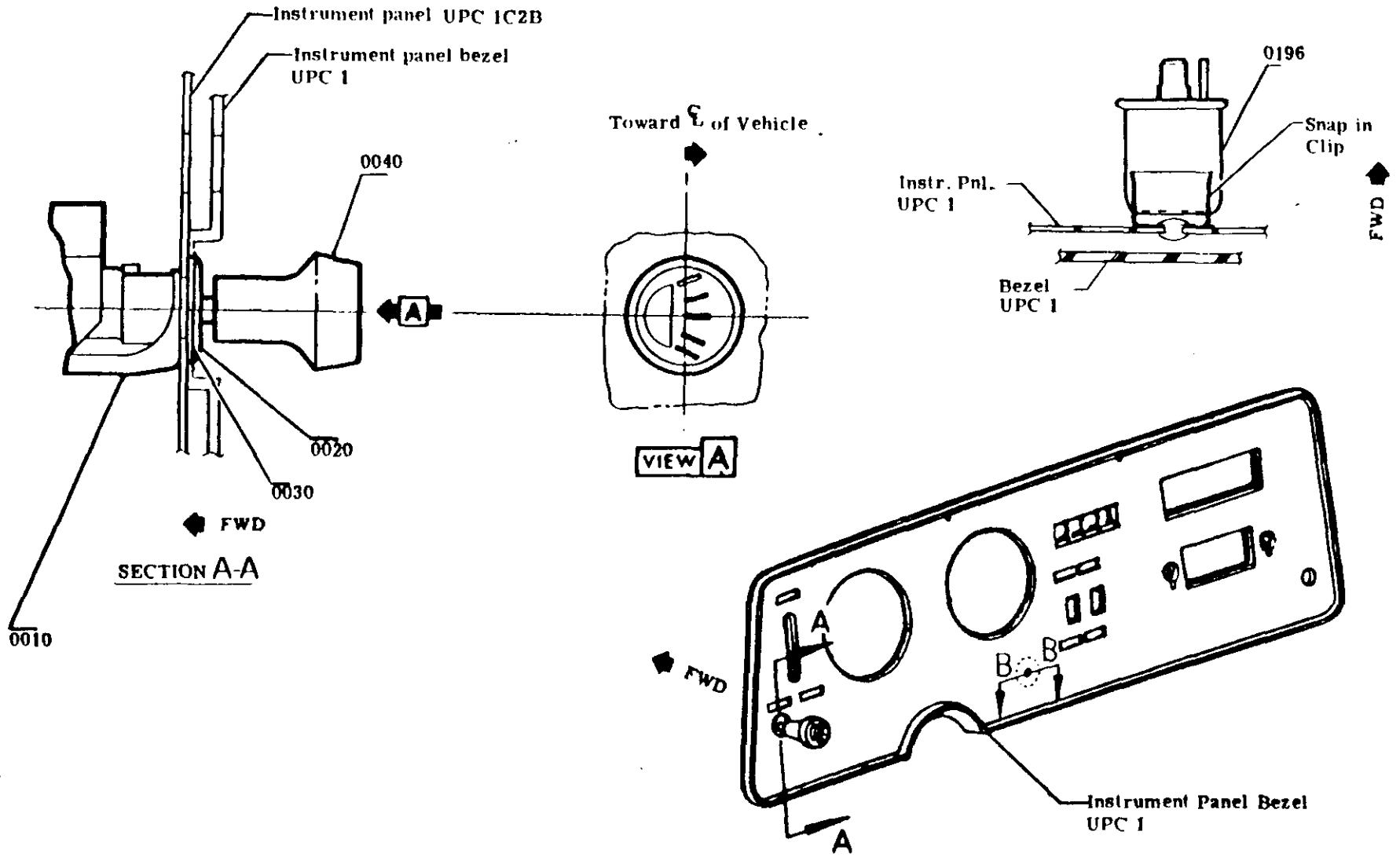
MODEL APPLICATION  
 BATTERY BOX & SUPPORTS  
 UPC DESCRIPTION

REFERENCES

1061

□ ITEM REFERENCE   ◇ PROCESS MATERIAL   △ TORQUE   ▣ PART OF OR EXISTING

GMT 922 1-73



BY (Installation) - LBS	BY (Inspection) - LBS	DATE	SYN	REVISION	AUTH	DR	CR	DEPARTMENTS
▲ ▲ ▲ ▲		6/11/77		ORIGINAL RELEASE	11000 CT			P. Thompson

78 TRUCK      BOOK 70

TITLE  
LIGHT SWITCH & EMERGENCY  
FLASHER

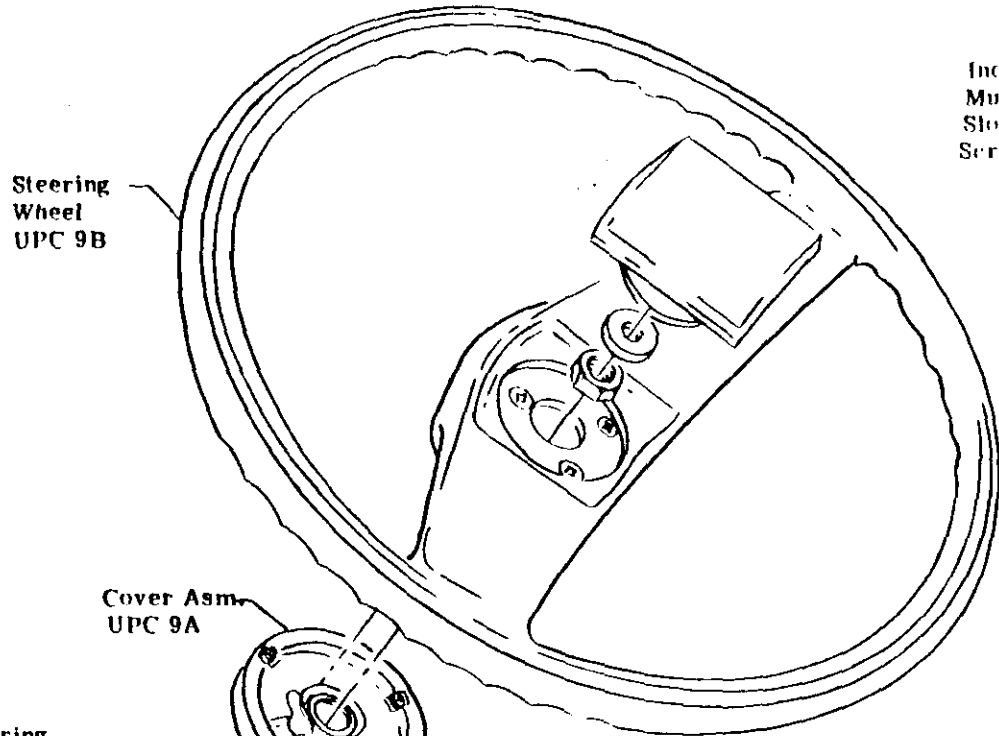
FRT.      UNIT  
LAMPS &      1  
TURN SIG.



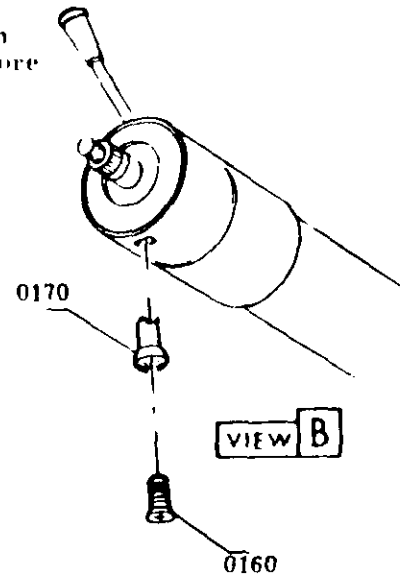




GMT 922 1/75



Index Tab on Knob  
Must be Engaged in  
Slot in Column Before  
Screw Installation



Steering  
Column

Cover Asm.  
UPC 9A

Steering  
Wheel  
UPC 9B

0150

0180

0170

VIEW B

0160

B

FWD

BY/DATE (Installation) - LBS	BY/DATE (Inspection) - LBS	DATE	SYM	REVISION	AUTH	DR	LG	DEPARTMENTS	TRUCK	BOOK
		4-77		ORIGINAL RELEASE	97000	4		R Thompson	78 TRUCK	BOOK 70
									TURN SIGNAL LEVER & EMERGENCY FLASHER KNOB	
									FRONT LAMPS & TURN SIGNAL	DIVISION/UPC 12C
										SHEET 5









ASSEMBLY INFORMATION

IT	PART OR TOOL DESCRIPTION	ADD'L DATA	QTY	PART NUMBER	ENGINE CODES	SERIES	BOX	PART	ITEM RESTRICTION	DEPARTMENTS		CHANGE		LOGIC CODE	FUNCTION CODE	ADDITL CODES	FNA	LINE NOB
										#1	2/STA	CD	AUTH					
AA0204	STRG GR COL & MHL		*	L3536						0782								1.8
AA0204										0782								1.9
AA0204	HOLP DIR SIG		*	L4272						0782								1.11
AA0204	T/SIG & SI MBR									0782								1.12
AA0304	I/P WRG MARN		*	L6922						0782								1.14
AA0404	I/P CSTR WRG		*	L6924						0782								1.16
AA0504	FMD LP WRG MARN		*	L6925						0782								1.18
AA0604	LGT SW INSTL		*	L4234						0782								1.20
AA0704	INST CSTR		*	L7869						0782								1.22
AA0804	HOLP AIMING INST		*	MD96984						0782								1.24
0010AA	SWITCH ASM LGT		1	1995194						0782	44		0000440160					1.32
0020AA	NUT ASM		1	1946329						0782	44							1.34
0030AA	WASHER		1	120395						0782	44							1.36
0040AA	ROD ASM		1	3986886						0782	44		0000440165					1.38
0050AA	SWITCH ASM DIMR		1	1997043						0782	42		0000420285					1.40
0060AA	SCREW DIMR SW		2	9419322						0782	42							1.42
0070AA	HEAD LAMP ASM RH		1	5963119						0782	37		0000370030					1.44
0080AA	HEAD LAMP ASM LH		1	5963120						0782	37		0000370035					1.46
0090AA	BEZEL RH HOLP		1	696186						0782	37		0000370040					1.48
0100AA	BEZEL LH HOLP		1	696187						0782	37		0000370045					1.50
0110AA	SCREW HOLP BZL		6	9426436						0782	37							1.52

1 2 3 4 5 6 7 8 9 10 11 12 13 14 15 16 17 18 19 20 21 22 23 24 25 26 27 28 29 30 31 32 33 34 35 36 37 38 39 40 41 42 43 44 45 46 47 48 49 50 51 52 53 54 55 56 57 58 59 60 61 62 63 64 65 66 67 68 69 70 71 72 73 74 75 76 77 78 79 80 81 82 83 84 85 86 87 88 89 90 91 92 93 94 95 96 97 98 99 100	ZE05000										MODEL YEAR 1978 ORIGIN DATE 770001 LAST CHG. DATE LAST CHG. QTY							
	MODEL APPLICATION										70 12C A 1							
	FRY LAMPS & TURN SIGNALS										FRY LAMPS & TURN SIGNALS							



PRODUCT DESCRIPTION MANUAL

ASSEMBLY INFORMATION

ITEM	PART OR TOOL DESCRIPTION	ADD'L DATA	QTY	PART NUMBER	M TOI	ENGINE CODES	SERIES	BODY BRN	ITEM RESTRICTION	DEPARTMENTS		CHANGE CD	AUTH	LOGIC CODE	FUNCTION CODE	ADDITION CODES	NA	LINE NOS
										#1	2/STA							
0120AA	SPRING ADJ		2	496096						0782	37			0000	370050			1.54
0120AA	NUT BEZEL		8	9431530						0782	37							1.54
0140AA	LAMP ASM		2	916558						0782	37			0000	370055			1.58
0150AA	LEVER DIR		1	408237					-K30	0782	45			3646	450130			2.1
0150AA	LEVER & SW ASM		1	6465256					K30	0782	45			3647	450130			2.2
0160AA	KNOB HAZZARD		1	411525						0782	45			3647	450135			2.4
0170AA	SCREW KNOB		1	11502830						0782	45							2.6
0170AA	5:8 IN LBS									0782	45							2.7
0170AA	SCREW LVR		1	9420721						0782	45							2.9
0175AA	HARN CRUISE CON		1	8913571					K30	0782	45			3647	450140			2.1
0190AA	FLASHER DIR SIG		1	491302						0782	45			0000	450145			2.13
0192AA	CLIP FLASHER		1	3943610						0782	45			0000	450150			2.15
0194AA	RIVET CLIP		1	2477053						0782	45							2.17
0196AA	FLASHER HAZ LP		1	673499						0782	45			0000	450155			2.19
0220AA	BRKT ASM HOLD		4	5964500						0782	37			0000	370200			2.21
0210AA	RIVET HOLD BRKT		8	693102						0782	37							2.23
0220AA	WASHER		4	120392						0782	37							2.25
0230AA	NUT		4	271178						0782	37							2.27
0240AA	CLIP		2	2399080						0782	37			0000	370065			2.29
0250AA	LINK DIR SIG		1	12000940						0782	37			0000	370070			2.31
0260AA	SCREW GRD		1	9414711						0782	37							2.33
0270AA	WASHER		1	121752						0782	37							2.35

ZE05000

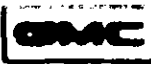
MODEL APPLICATION  
FRT LAMPS & TURN SIGNALS  
UPC DESCRIPTION

MODEL YEAR 1978  
ORIGIN DATE 770801  
LAST CHG DATE  
LAST CHG CODE

70 12C A 2  
BK U. P. G. 977 PAGE







ITEM REFERENCE     PROCESS MATERIAL     TORQUE     PART OF OR EXISTING

GMT 922 1-73

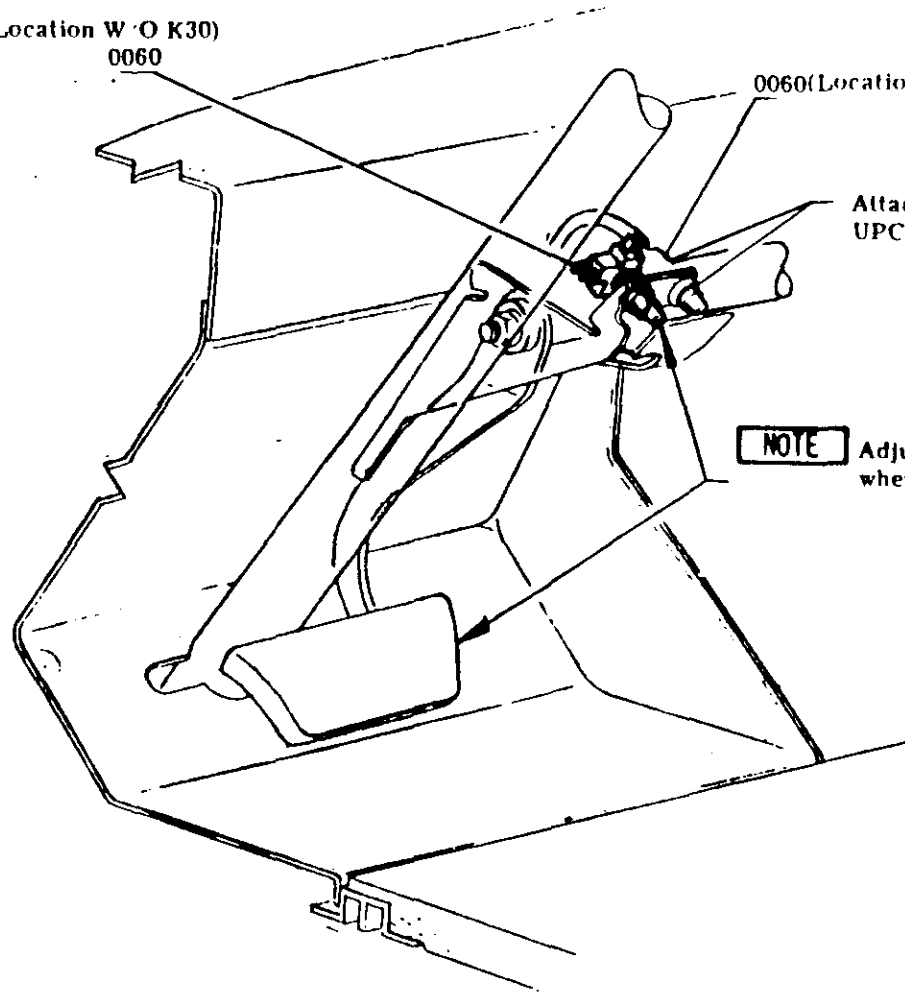
(Location W/O K30)  
0060

0060(Location W/O K30)

Attaching Parts  
UPC 6N4

**NOTE** Adjust switch to activate stop lights when pedal is depressed 3/8 to 3/4 inches.

↙ FWD



SYMBOL (Inspection) - (L)	DATE	SYN	REVISION	AUTH	OR	EX	DEPARTMENTS
△	5-77		ORIGINAL RELEASE	47000			TMC APSON
△							
△							
△							
△							
△							

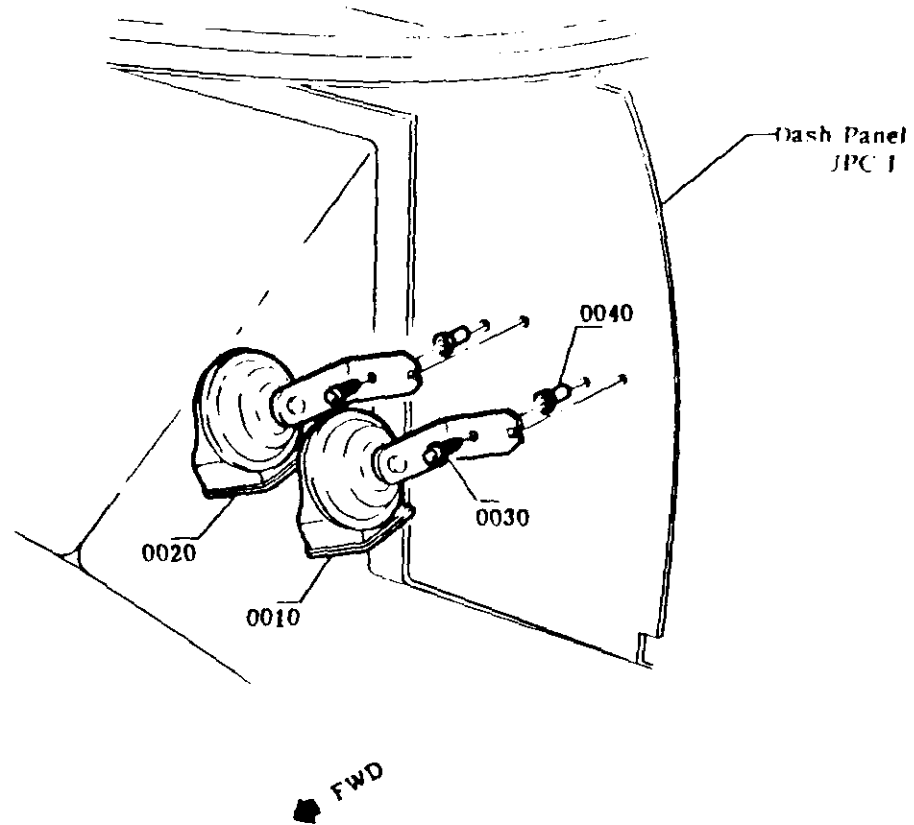
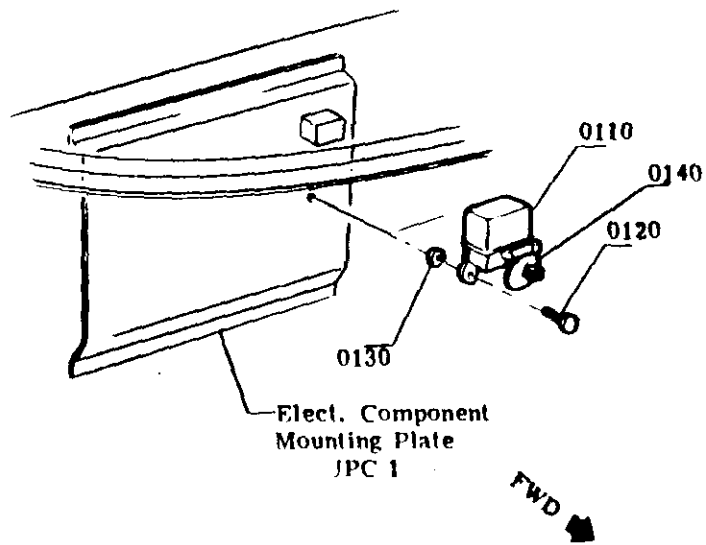
<b>73 TRUCK</b>		<b>BOOK 70</b>
TITLE STOP LAMP SWITCH ADJUSTMENT & SPEED CONTROL SWITCH RPO K30		
REAR LAMPS	<b>128</b>	<b>3</b>

ITEM	PART OR TOOL DESCRIPTION	ADD'L DATA	QTY	PART NUMBER	ENGINE CODES	SERIES	BOY	ITEM RESTRICTION	DEPARTMENTS		CHANGE		LOGIC CODE	FUNCTION CODE	ADDITIONAL CODES	LINE NOS
									#1	2/STA	CD	AUTH				
AA01014	REAR BODY WRG		*	14218					0782							1.8
AA01024	HARN INSTAL								0782							1.9
AA02014	STRG WHL IC GEAR		*	13536					0782							1.11
AA03014	S/LP & DNSHFT		*	14259					0782							1.13
AA03024	SW INSTAL								0782							1.14
AA04014	RR STOP LP ST		*	14301					0782							1.16
AA04024	MKR & LIC PLT								0782							1.17
AA04034	INSTAL								0782							1.18
0010AA	LAMP ASM		Z	911255					0782	38			0000380110			1.23
0020AA	BEZEL LH		1	3970173					0782	38			0000380115			1.25
0030AA	BEZEL RH		1	3970774					0782	38			0000380120			1.27
0040AA	NUT ASM		R	271178					0782	38						1.29
0050AA	WASHER		R	120392					0782	38						1.31
0060AA	SWITCH ASM		1	38P6006			-K30		0782	42			3645420290			1.33
0060AB	SWITCH ASM		1	3902264			K30		0782	42			3647420290			1.35
0070AA	NUT		Z	107829					0782	42						1.36
0080AA	SWITCH ASM		1	1094153					0782	45			0000450160			1.38
0090AA	RETAINER		Z	406308					0782	45			0000450165			1.40
0100AA	SCREW		Z	7806573					0782	45						1.42
0110AA	LAMP ASM		1	913060					0782	38			0000380125			1.44
0120AA	SCREW		Z	157187					0782	38						1.46
0130AA	NUT		1	120614					0782	38						1.48
0140AA	NUT		Z	271169					0782	38						1.50
0150AA	BRKT PR LIC LP		1	696144					0782	38			0000380130			1.52
0160AA	SEAL		1	696145					0782	38						1.54
0170AA	SCREW		Z	157166					0782	38						1.56

1 2 3 4 5 REV. 88	REFERENCE	ZEO5000	MODEL YEAR 197P
			ORIGIN DATE 770801
			LAST CHG. DATE
			LAST CHG. CODE
		MODEL APPLICATION REAR LAMPS UPC DESCRIPTION	70 12F A 1 SK U. P. C. SWP PAGE



GMT 922 1 75



DYNAMIC (Inspection) - 105	HAZ (Inspection) - 105	DATE	SYM	REVISION	AUTH	DR	TR	DEPARTMENTS	'78 TRUCK BOOK 70	
△		7-75		ORIGINAL RELEASE	47000	J		THAMPSON	TITLE HORN ASSEMBLY	
△									NAME HORNSWITCH & MOUNTING	
△									DIVISION/JPC 12G	
△									SHEET 1	





# TRUDGET DESCRIPTION MANUAL

## ASSEMBLY INFORMATION

ITEM	PART OR TOOL DESCRIPTION	ADD'L DATA	QTY	PART NUMBER	ENGINE CODES	SERIES	REV	ITEM RESTRICTION	DEPARTMENTS		CHANGE		LOGIC CODE	FUNCTION CODE	ADDITIONAL CODES	LINE NOS.
									#1	2/BTA	CD	AUTH				
AA01024	HORN L/D		1	14260					0782							1-8
AA02014	ENG & CHAS MRC		1	18752					0782							1-14
AA02024	ENG & CHAS MRC		1	18680					0782							1-14
AA03014	STRG MHI TD S/G		1	13534					0782							1-14
AA04014	ENG & CHAS MRC		1	17866					0782							1-14
AA04024	ENG & CHAS MRC		1	17867					0782							1-14
0010AA	HORN & BRKT ASM		1	2029365					0782	45		0000450170				1-20
0020AA	HORN & BRKT ASM		1	2029366					0782	45		0000450175				1-22
0030AA	SCREW		2	3897019					0782	45						1-24
0030AB	13/20 FT LBS								0782	45						1-25
0040AA	RIVNUT		2	2273809					0702	5						1-27
0050AA	SWITCH ASM		1	0911905					0782	45		0000450180				1-29
0060AA	SCREW		3	9422835					0782	45						1-31
0060AB	12/15 IN LBS								0782	45						1-32
0070AA	NUT		3	9437000					0782	45						1-34
0080AA	INSULATOR		1	409190				03-BRU	0782	45	573161300	450185				1-36
0090AA	SPRING		1	404234				03-BRU	0782	45	573161300	450190				1-38
0100AA	EYELET		1	3857251				03-BRU	0782	45	573161300	450195				1-40
0110AA	RELAY ASM		1	1115882					0782	37		0000370075				1-42
0120AA	BOLT		1	9422404					0782	37						1-44
0130AA	WASHER		1	120423					0782	37						1-44
0140AA	PROTECTOR		1	404095					0782	45		0000450200				1-46

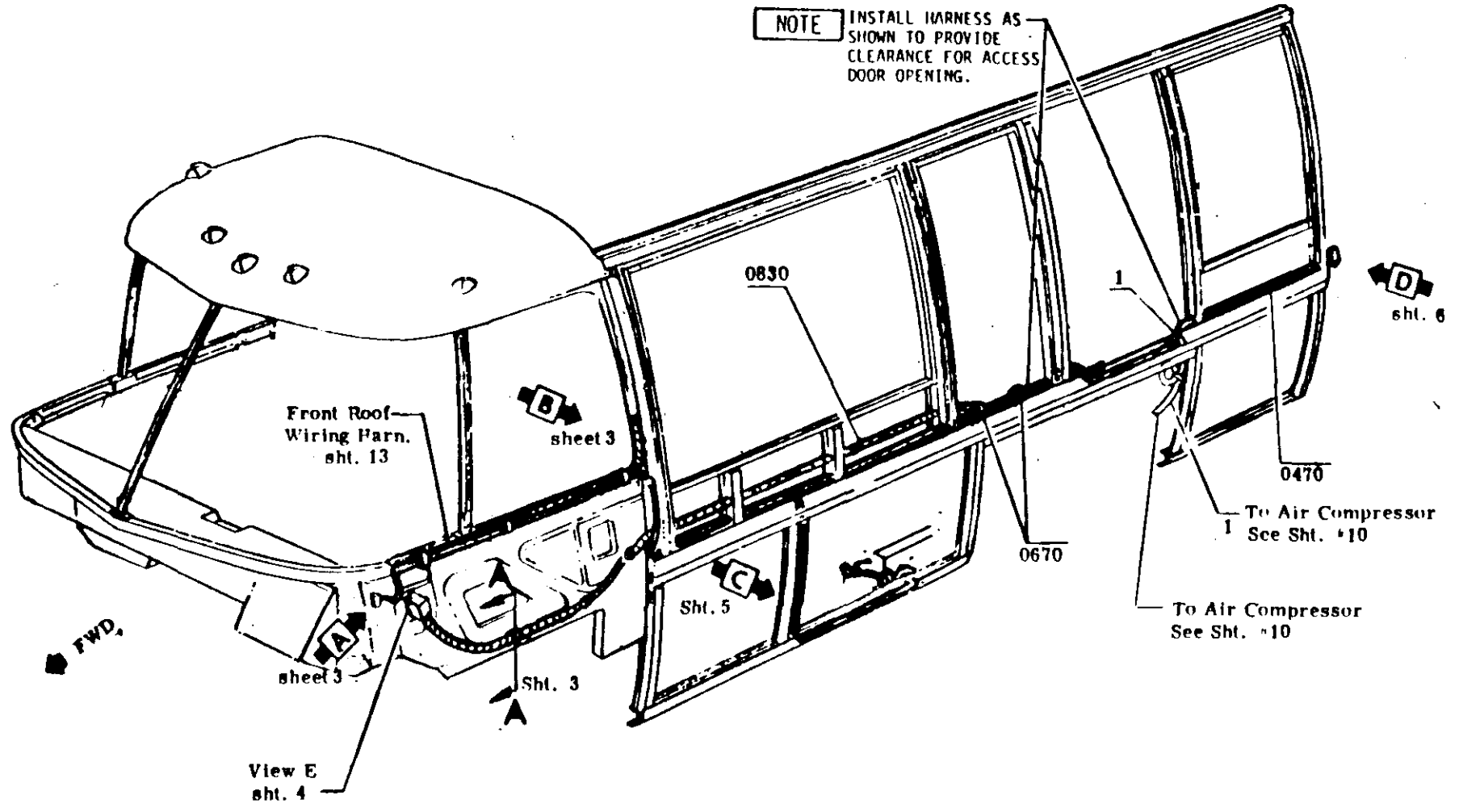
ZE05000

MODEL YEAR 1978  
 ORIGIN DATE 770001  
 LAST ENG. DATE  
 LAST ENG. DATE

MODEL APPLICATION  
 MAIN SWITCH & MOUNTING

TO 126

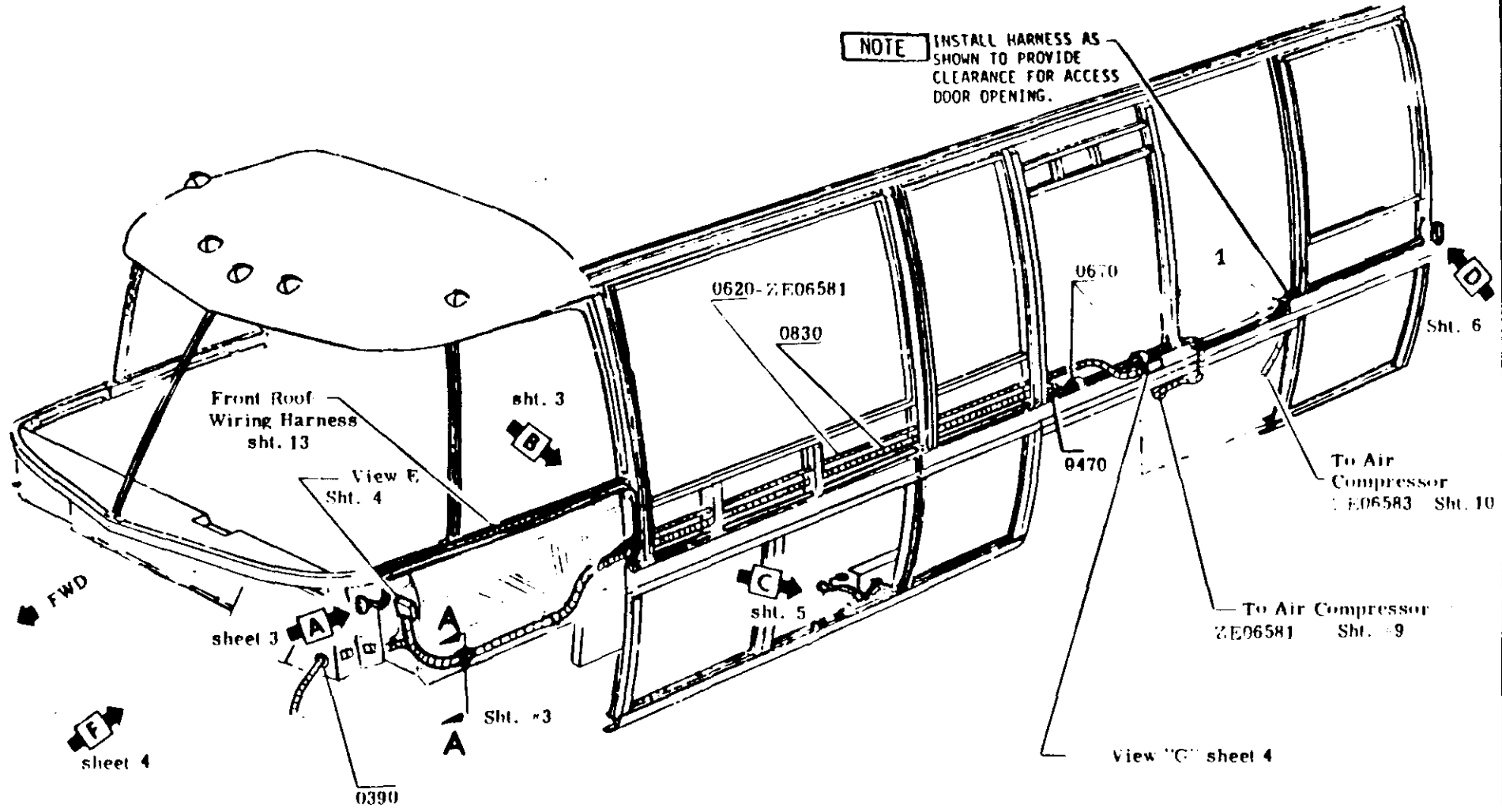
GMT 922 1-73



SYNOPSIS (Inspection) - LPS	REMARKS (Inspection) - LPS	DATE	SYM	REVISION	AUTH	DR	CR	DEPARTMENTS	TITLE
				ORIGINAL RELEASE				Welding	78 TRUCK BOOK 70
									SIDE BODY HARNESS - LH ZE04083
									MAKE TUBES, BULBS & CHASSIS WIRING DIVISION 12H SHEET 1

GMT 922 1-73

**NOTE** INSTALL HARNESS AS SHOWN TO PROVIDE CLEARANCE FOR ACCESS DOOR OPENING.

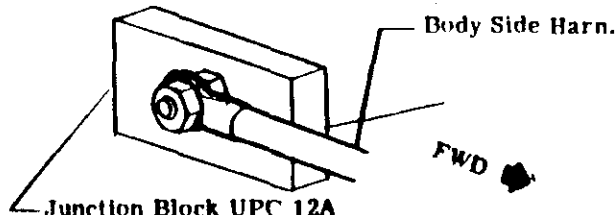


DYNAMIC (Installation) - LBS	STATIC (Inspection) - LBS	DATE	SYM	REVISION	AUTH	DR	CR	DEPARTMENTS	TITLE
				2KIG:VAL SLCEASE					78 TRUCK BOOK 70
									SIDE BODY HARNESS - L.H. ZE06583, ZE06581
									NAME FUSES, BULBS, CHASSIS WIRING
									DIVISION 12H SHEET 2

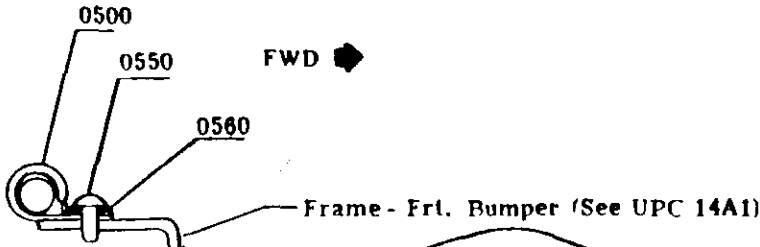




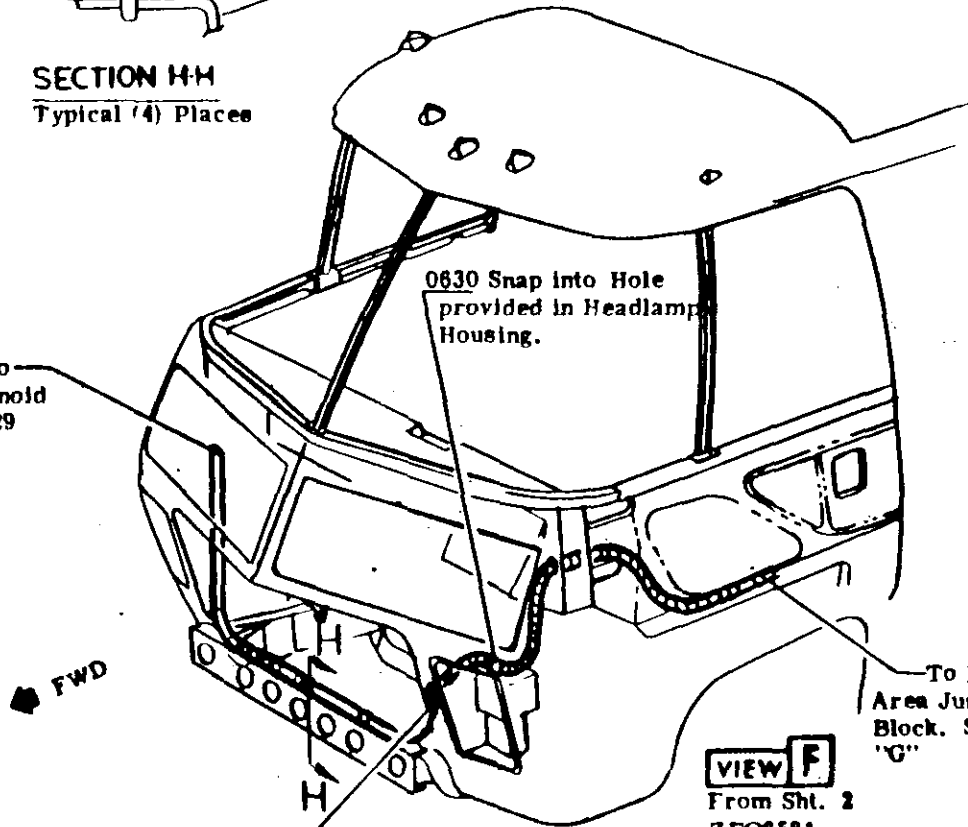
☐ ITEM REFERENCE    ♦ PROCESS MATERIAL    ▲ TORQUE    ◼ PART OF OR EXISTING



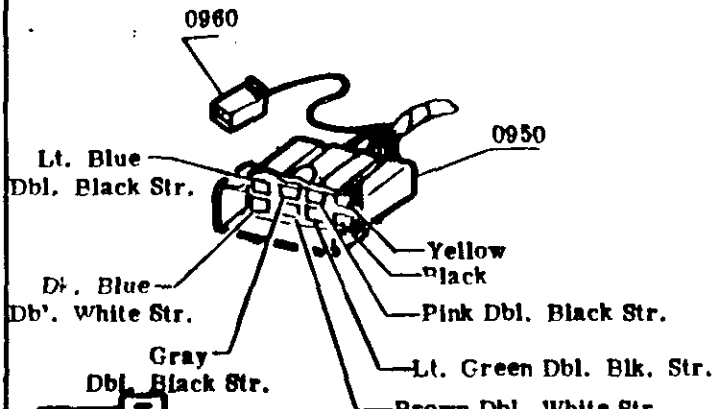
**VIEW C**  
From sheet 2



**SECTION H-H**  
Typical (4) Places



**VIEW F**  
From Sht. 2  
ZEO6581



**VIEW E**  
From Sheet 1 & 2

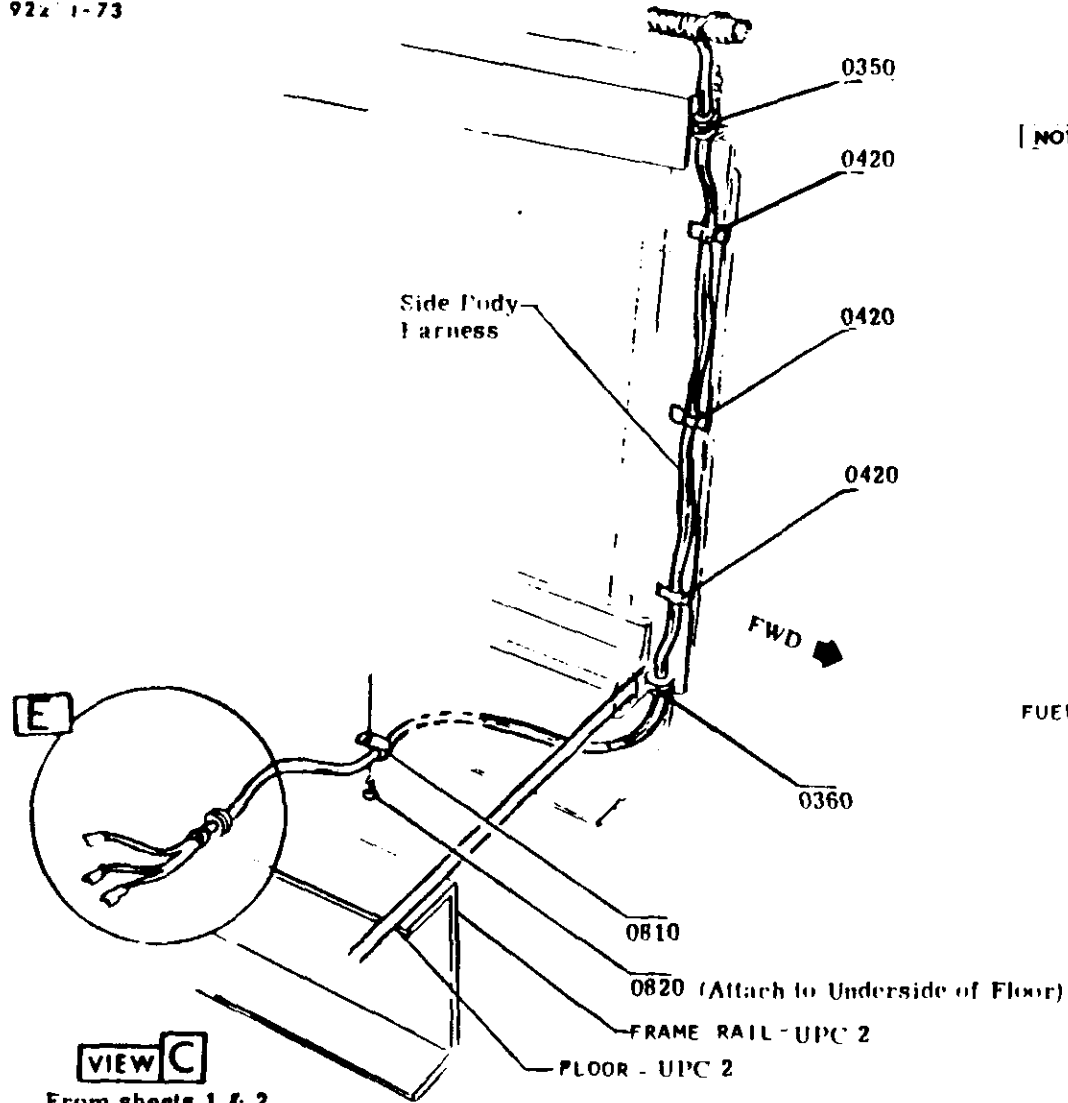
PERSON (Installation) - (S)	NAME (Inspection) - (S)	DATE	SYN	DIVISION	APPROV.	BY	CHK	DEPARTMENT	TITLE
▲		07/77		ORIGINAL RELEASE	47000			Thompson	
▲									
▲									
▲									
▲									
▲									

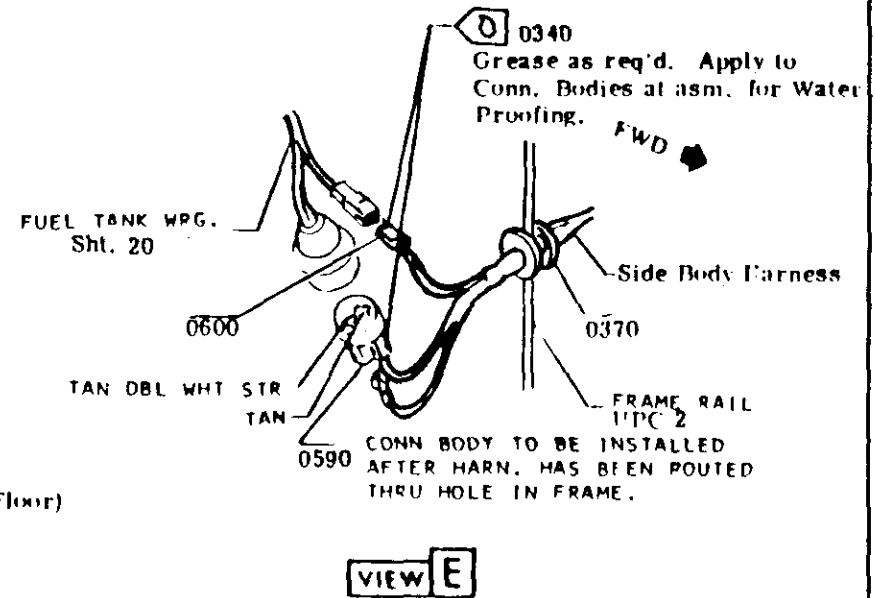
TRUCK	BOOK 70
SIDE BODY HARNESS - LH	
BUILT BY CHRYSLER CORP.	CHRYSLER CORP.
124	4



GMT 922 1-73



[NOTE] After Installation of Harness in Body, Fuel Tank Wires are to be pulled out of Main Harness and routed to Fuel Tank before installing Connector Body.



DYNAMIC (Installation) - LBS	FRAM (Inspection) - LBS	DATE	SYM	REVISION	AUTH	DR	CR	DEPARTMENTS
△		10/1/77		ORIGINAL RELEASE	WMS	WJH		Shuman
△								
△								
△								
△								
△								

**'78 TRUCK**

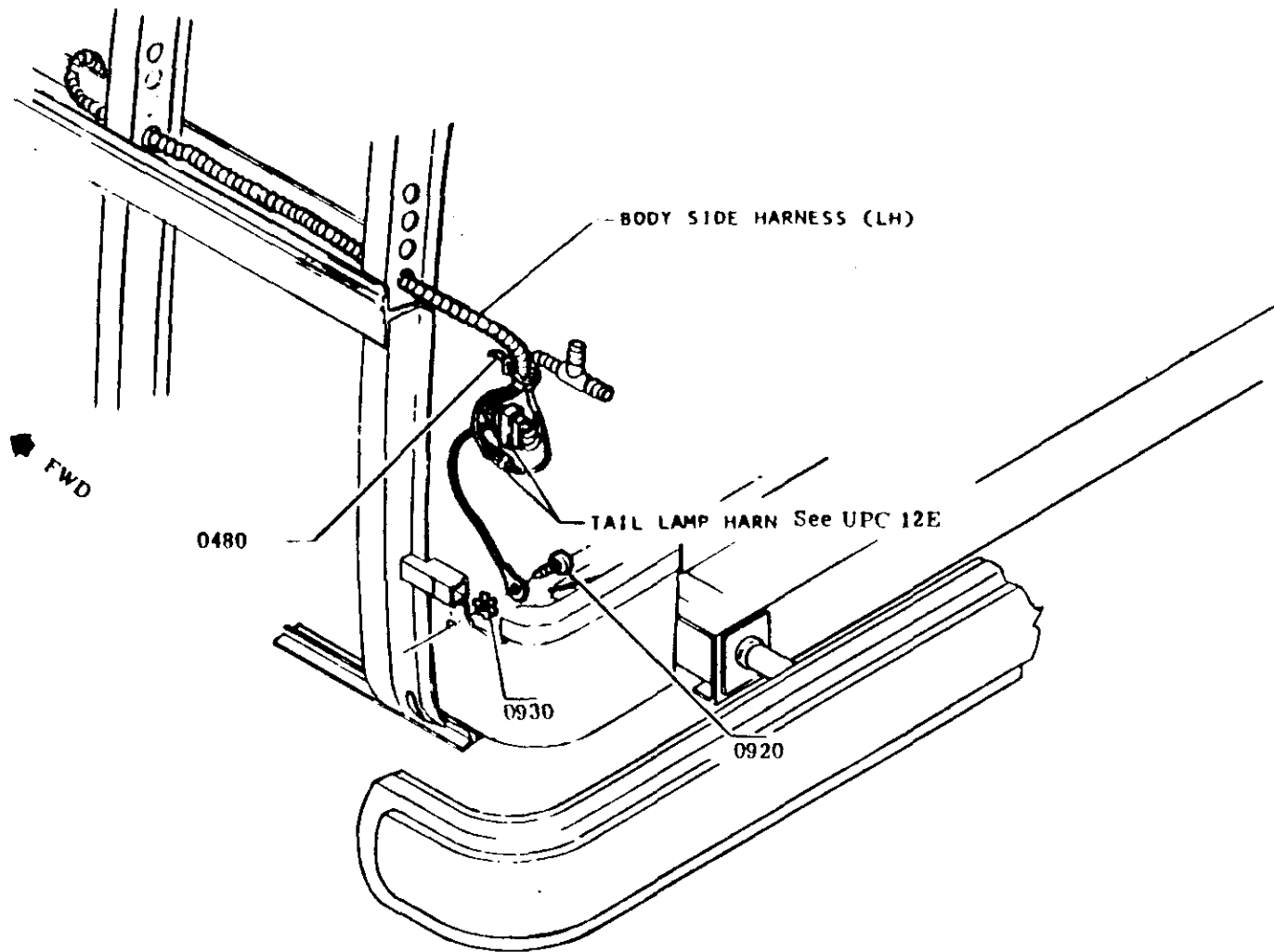
TITLE

SIDE BODY HARNESS - L.H

**BOOK 70**

NAME FUSES, BULBS & CHASSIS WIRING	DIVISION	SHEET
	<b>12H</b>	<b>5</b>

GMT 922 1-73



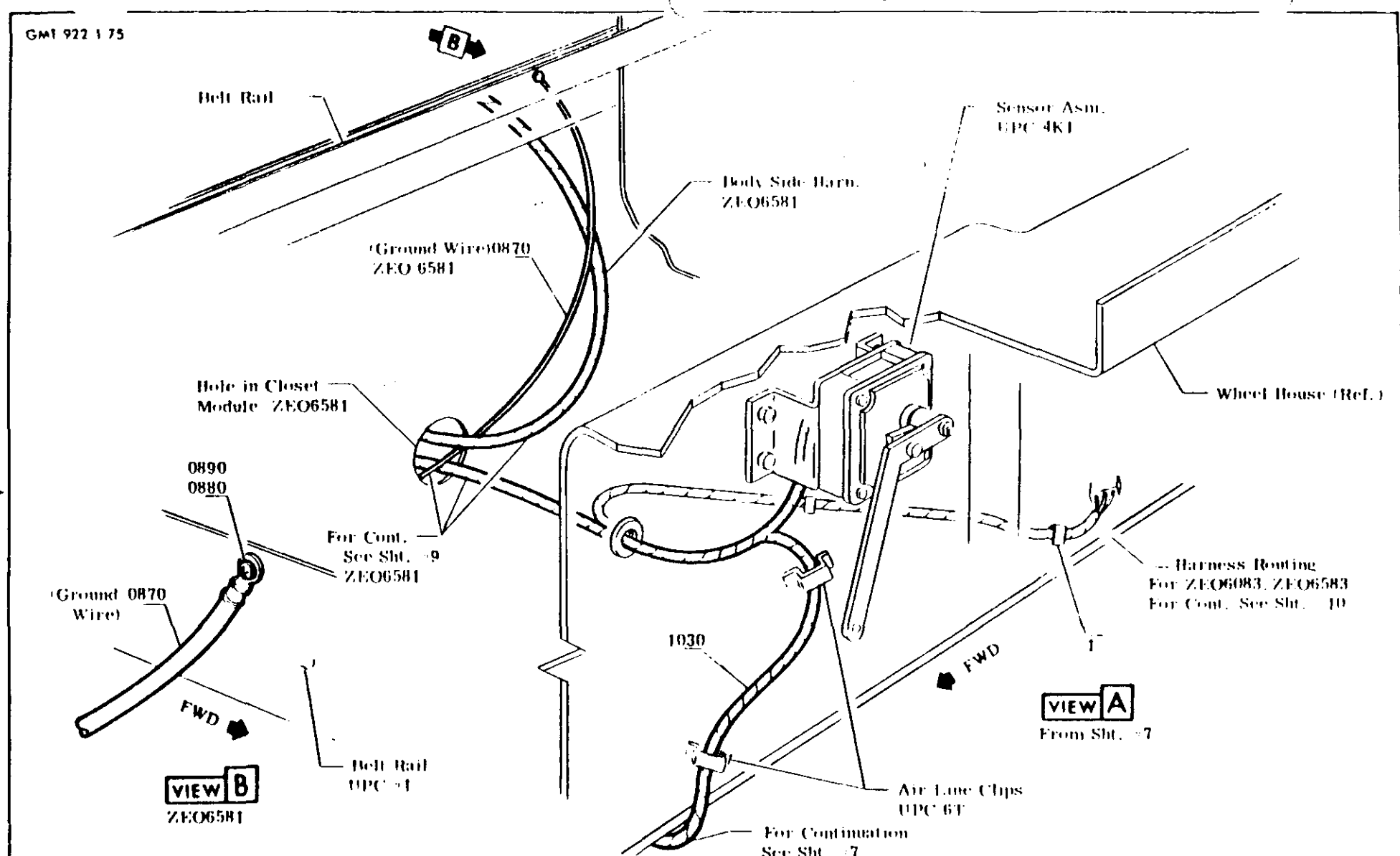
**VIEW D**

From Shits. 1&2

BY DRAWN (Installation) - LBS.	MADE (Inspection) - LBS.	DATE	SYN	REVISION	AUTH	DR	CK	DEPARTMENTS	TRUCK	BOOK
				ORIGINAL RELEASE					78	70
									TITLE	
									SIDE BODY HARNESS - LH	
									FUSES, BULBS, & CHASSIS WIRING SYSTEM 12H	SHEET 6



GM1 922 1 75

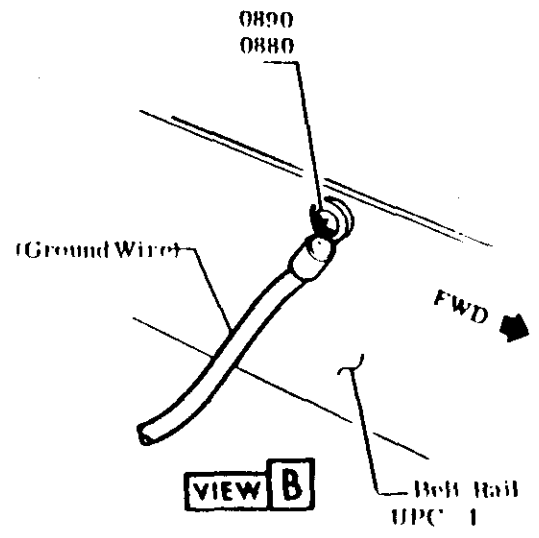
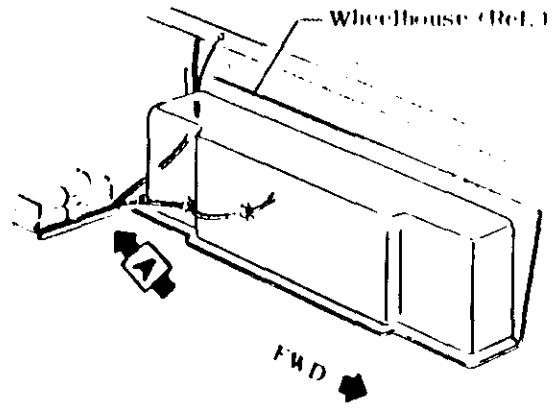


DYNAMIC (Installation) - LBS	RAMB (Inspection) - LBS	DATE	SYM	REVISION	AUTH	DR	EN	DEPARTMENTS	78 TRUCK	BOOK 70
				ORIGINAL RELEASE	4/20/00	SRV		Chassis	AIR SUSPENSION SENSOR - WIRING	
									NAME FUSES	DIVISION/UPC
									BULBS &	12H
									CHASSIS WRG	8

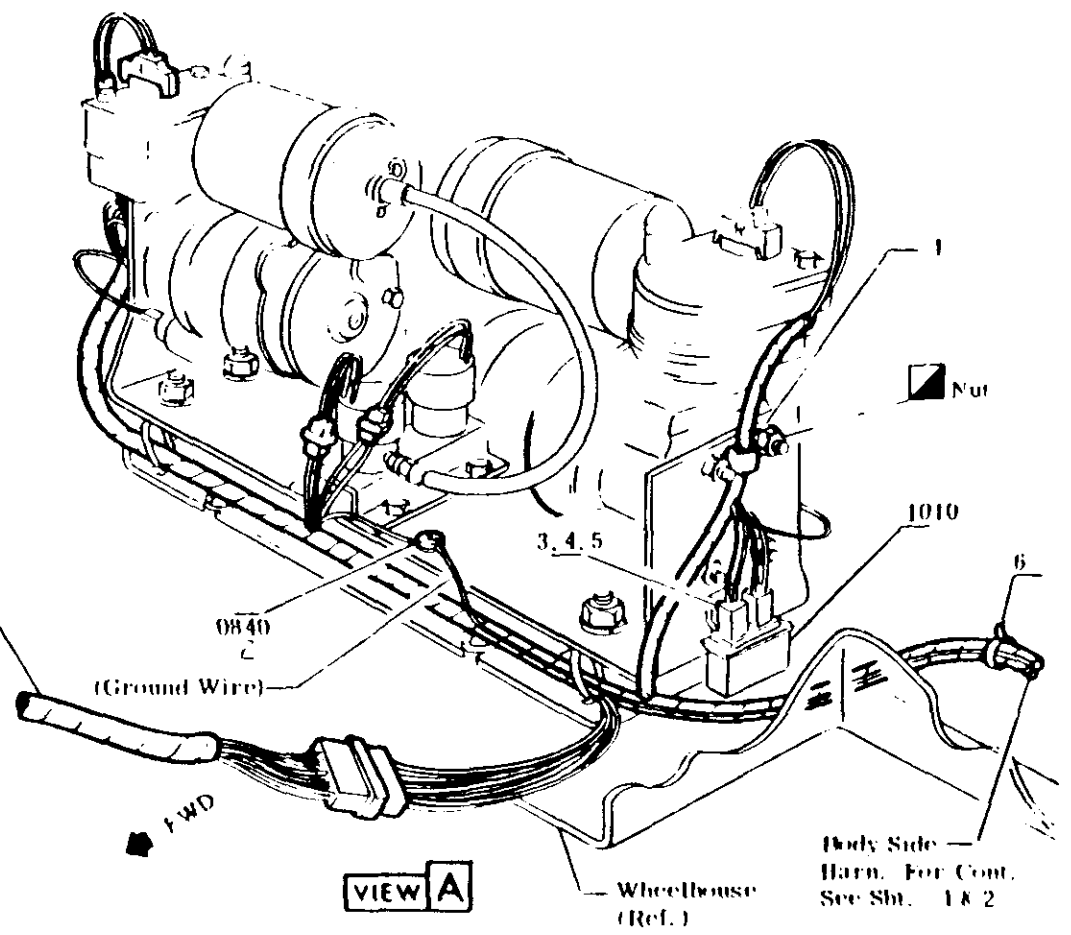


□ ITEM REFERENCE    ◇ PROCESS MATERIAL    △ TORQUE    ▣ PART OF OR EXISTING

GMT 922 1/75

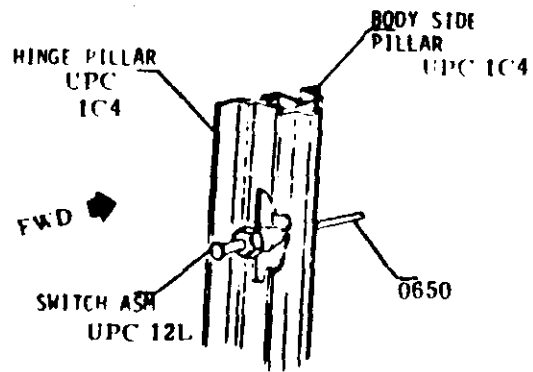


Sensor Harness  
For Cont. See Sht. B

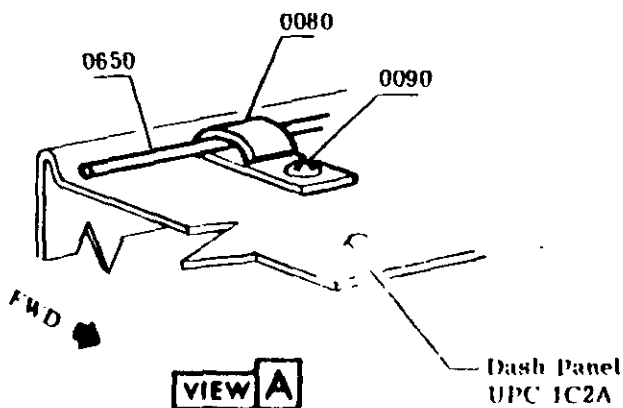


BY (Date)	BY (Date)	DATE	SYM	REVISION	AUTH	DR	CR	DEPARTMENTS	TRUCK	BOOK
									78	70
									AIR SUSPENSION	
									COMPRESSOR - WIRING	
									ZEO6083 ZEO6583	
									FUSES	
									BULBS &	
									CHASSIS WRG	
									12H	10

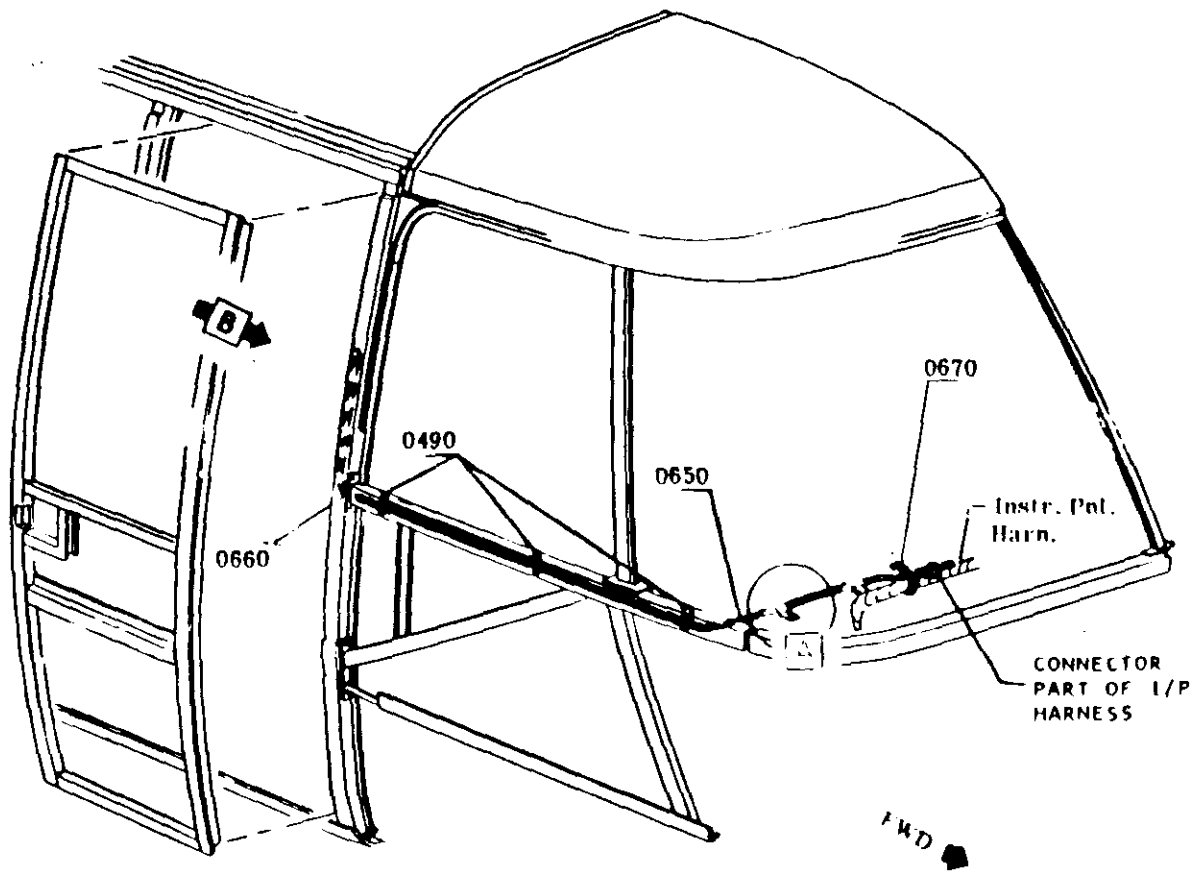
GMT 922 1-73



VIEW B



VIEW A  
TYPICAL (2) Pies.



BYDRAWN (Installation) - LBS	HAND (Inspection) - LBS	DATE	SYM	REVISION	AUTH	DR	CR	DEPARTMENTS	'78 TRUCK	BOOK 70
△				ORIGINAL RELEASE					TITLE	
△									SIDE BODY HARNESS - RH	
△									ZE06083	
△									NAME FUSES, BULBS & CHASSIS WIRING	
△									SYSTEM	12H
									SHEET	11



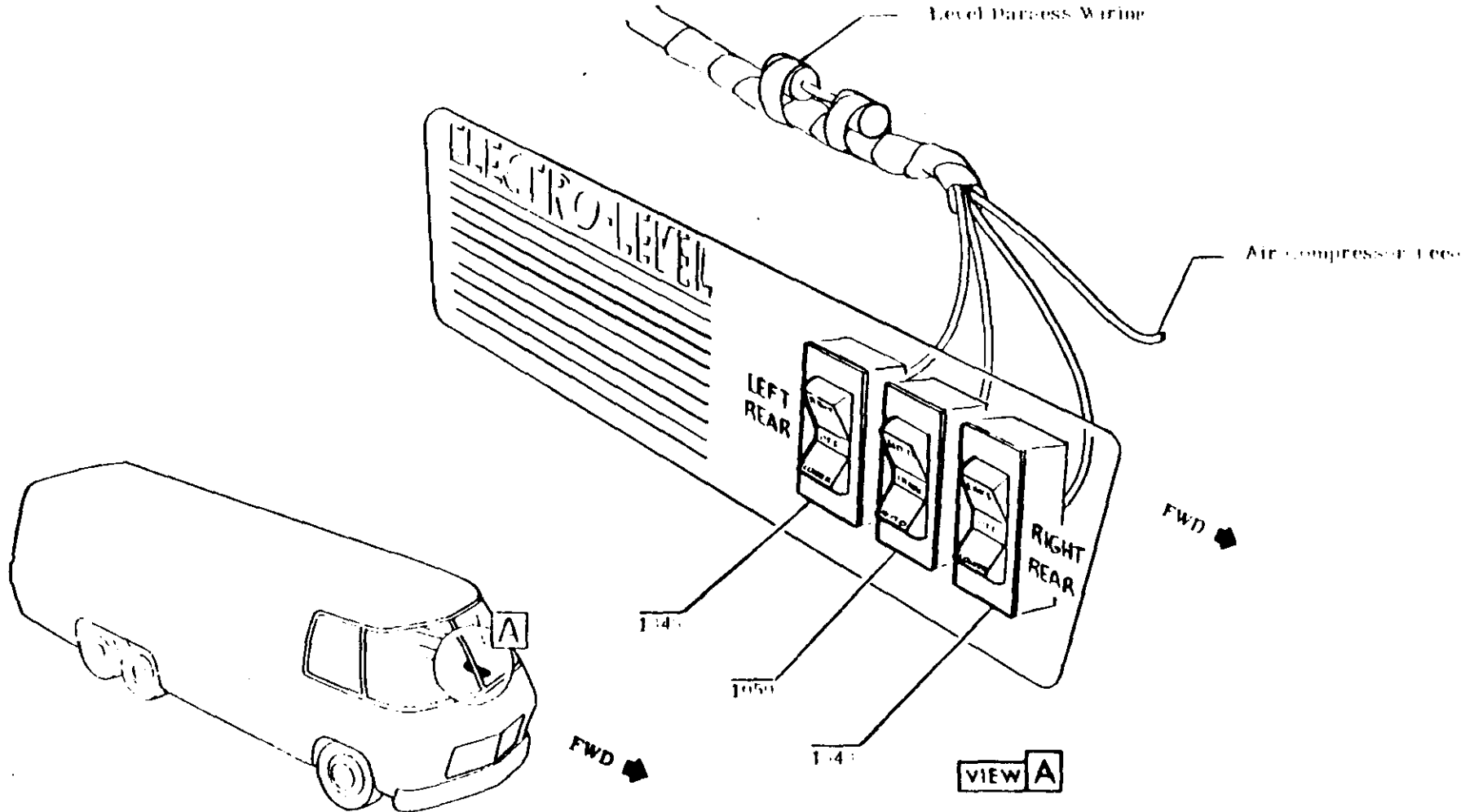








GMT 924 175



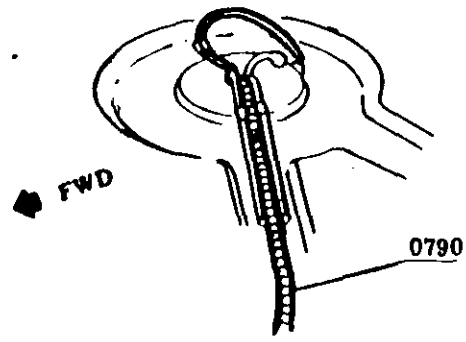
SYNOPSIS (Installation) - LBS	RAMD (Inspection) - LBS	DATE	SYN	REVISION	AUTH	DR	CR	DEPARTMENTS	78 TRUCK	BOOK 70
△		6/27/77		ORIGINAL RELEASE	...	...	...		LEVELING CONTROL SWITCH	
△										
△										
△										
△										
△										
									DIVISION/UPC 12H	SHEET 16



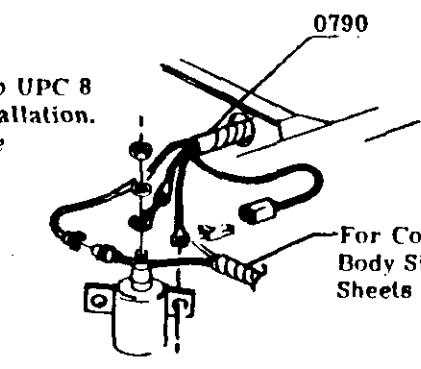
GMT 922 1-73

Refer to UPC 8  
for installation  
of Valve

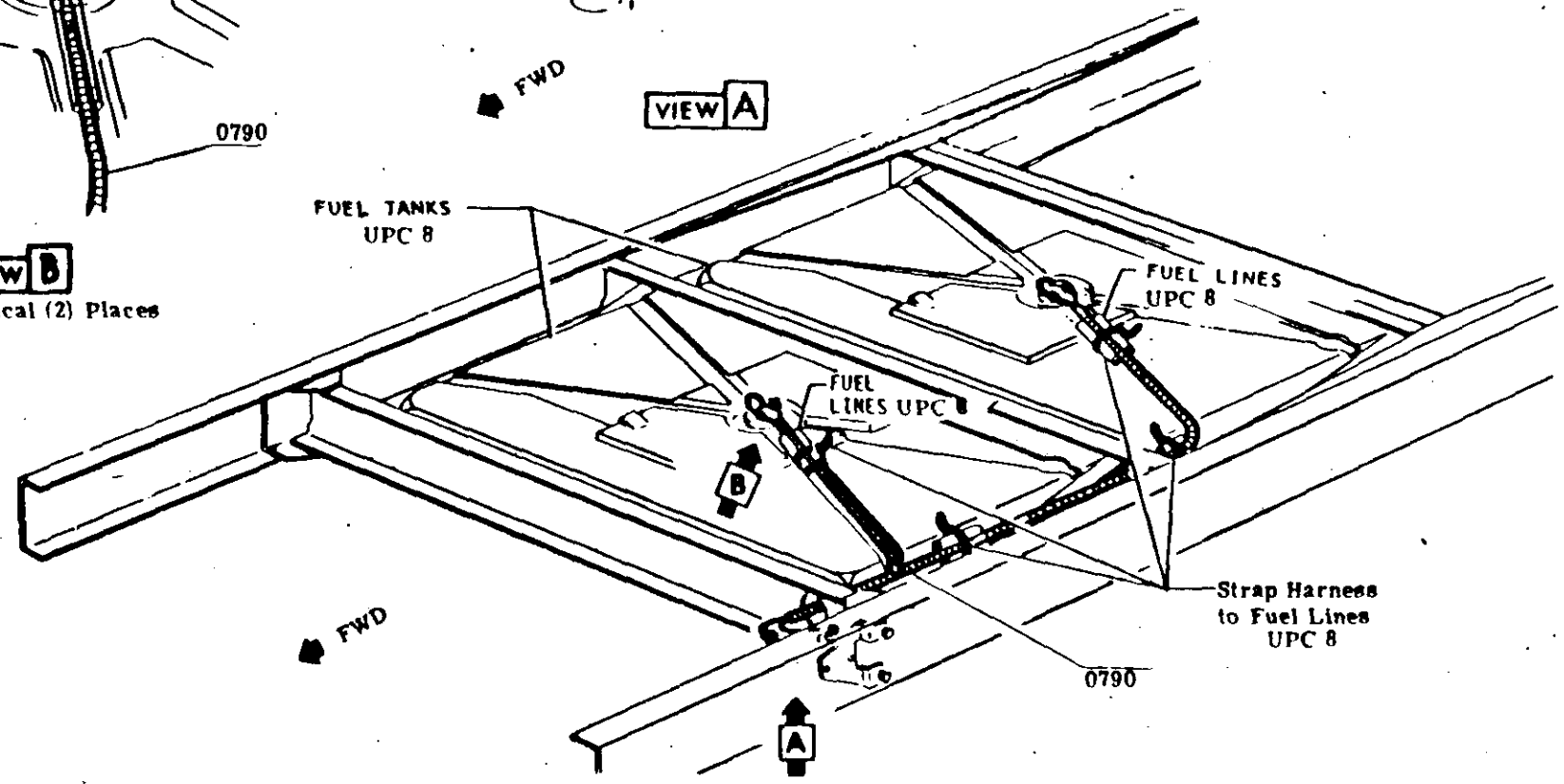
For Continuation see  
Body Side Harness  
Sheets 1 & 2



**VIEW B**  
Typical (2) Places



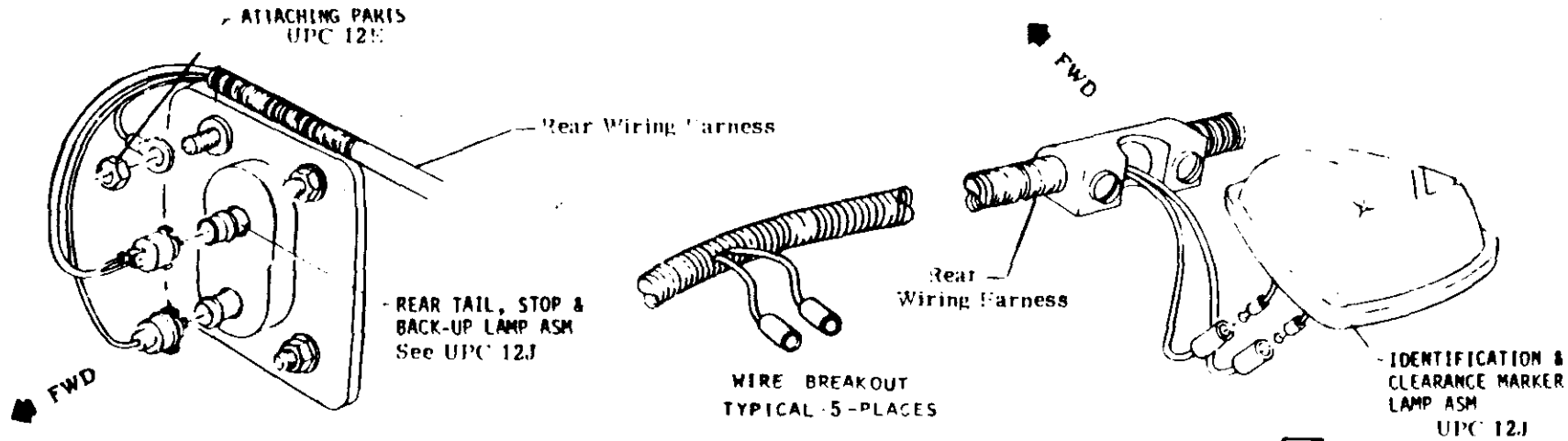
**VIEW A**



SYMBOL (Incorporation) - LBI	DATE	SYM	REVISION	AUTH	DR	CR	DEPARTMENTS	TITLE	BOOK
△			ORIGINAL RELEASE				W. Thompson	'78 TRUCK	BOOK 70
△								FUEL TANK WIRING	
△								NAME FUSES, BULBS, & CHASSIS WIRING	
△								DIVISION 12H	SHEET 18



GMT 922 1-73

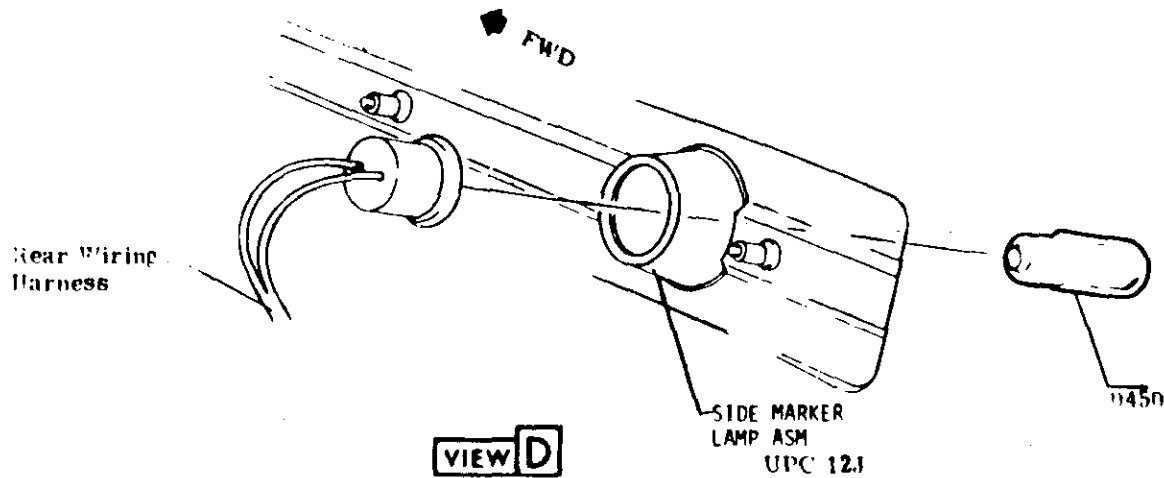


**VIEW C**

FROM Sht. 19  
R.H. SHOWN  
L.H. TYPICAL

**VIEW E**

From Sht. 19



**VIEW D**

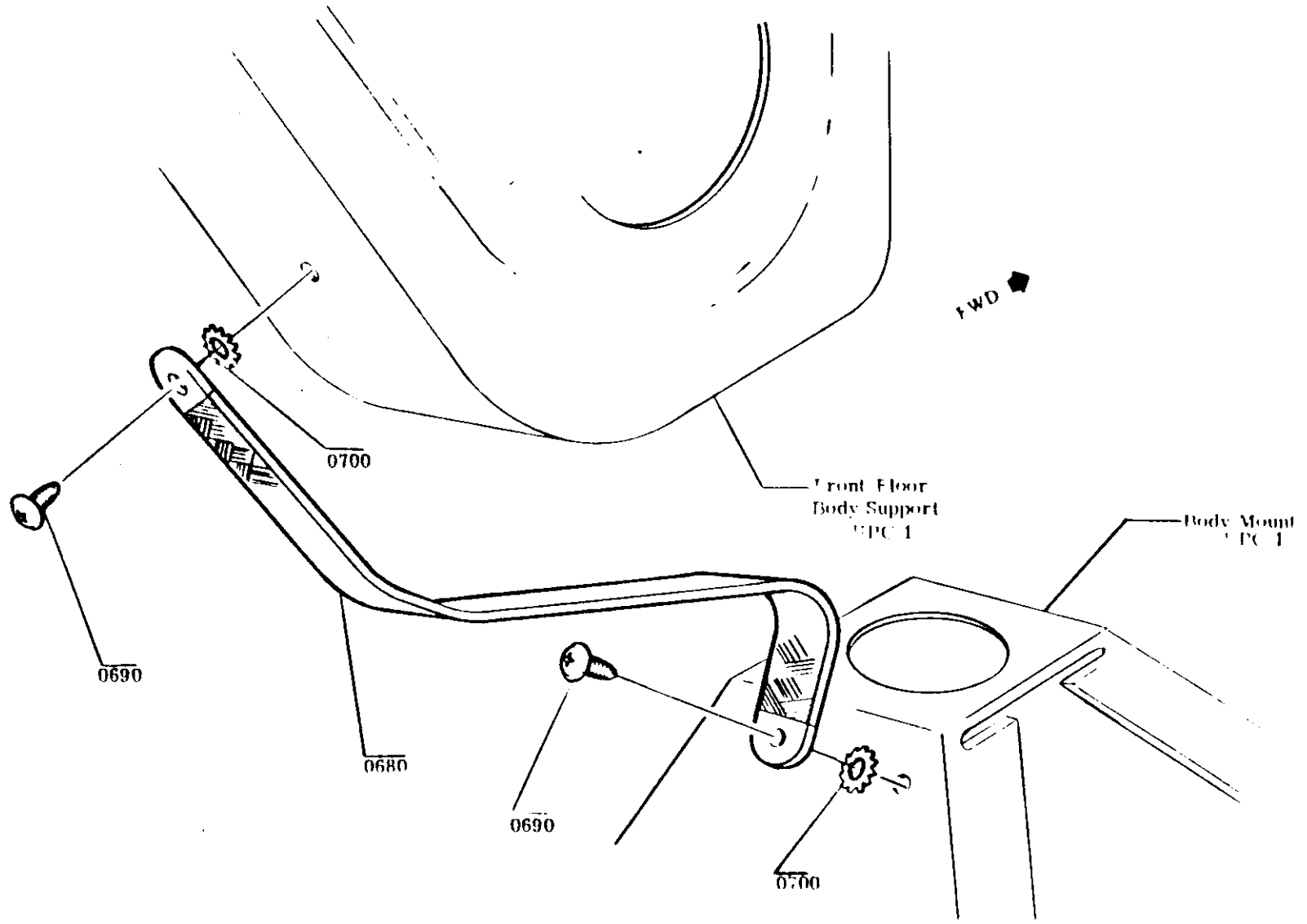
From Sht. 19  
R.H. SHOWN  
L.H. Typical

DATE	SYM	REVISION	AUTH	DR	CR	DEPARTMENTS	78 TRUCK		BOOK 70
		ORIGINAL RELEASE					TITLE		
							REAR WIRING HARNESS		
							NAME	FUSES, BULBS, CHASSIS WIRING	
							DIVISION	12H	SHEET 20





GMT 922 1/75

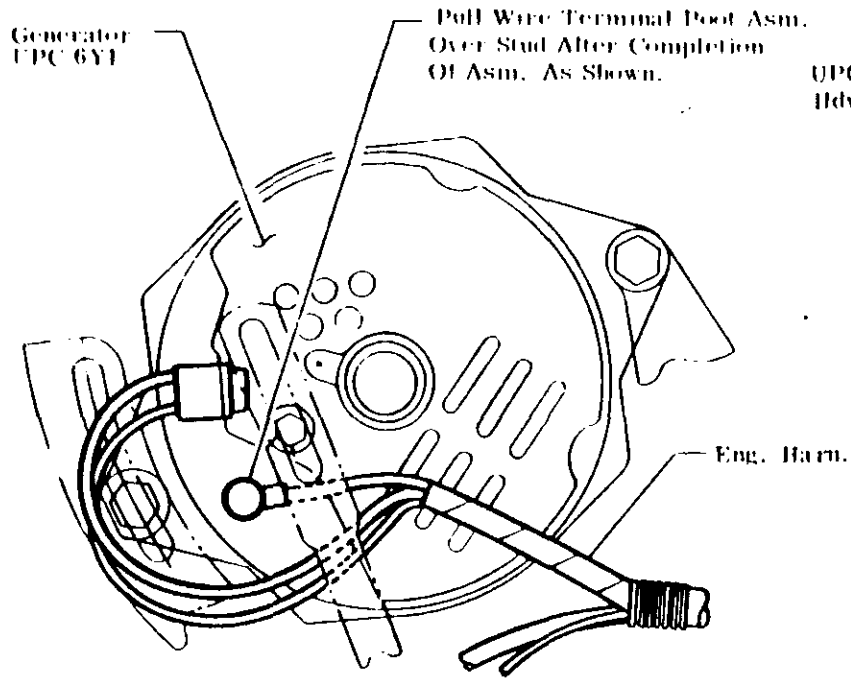


BY whom (Installation) - LBS	HOW (Inspection) - LBS	DATE	SYM	REVISION	AUTH	DR	CR	DEPARTMENTS	78 TRUCK	BOOK 70
				ORIGINAL RELEASE					TITLE	
									GROUND STRAP TO BODY	
									BASE FUSES DOLPHIN CLASSIS WTRING	
									DIVISION/PC	
									12H	22

- △
- △
- △
- △
- △

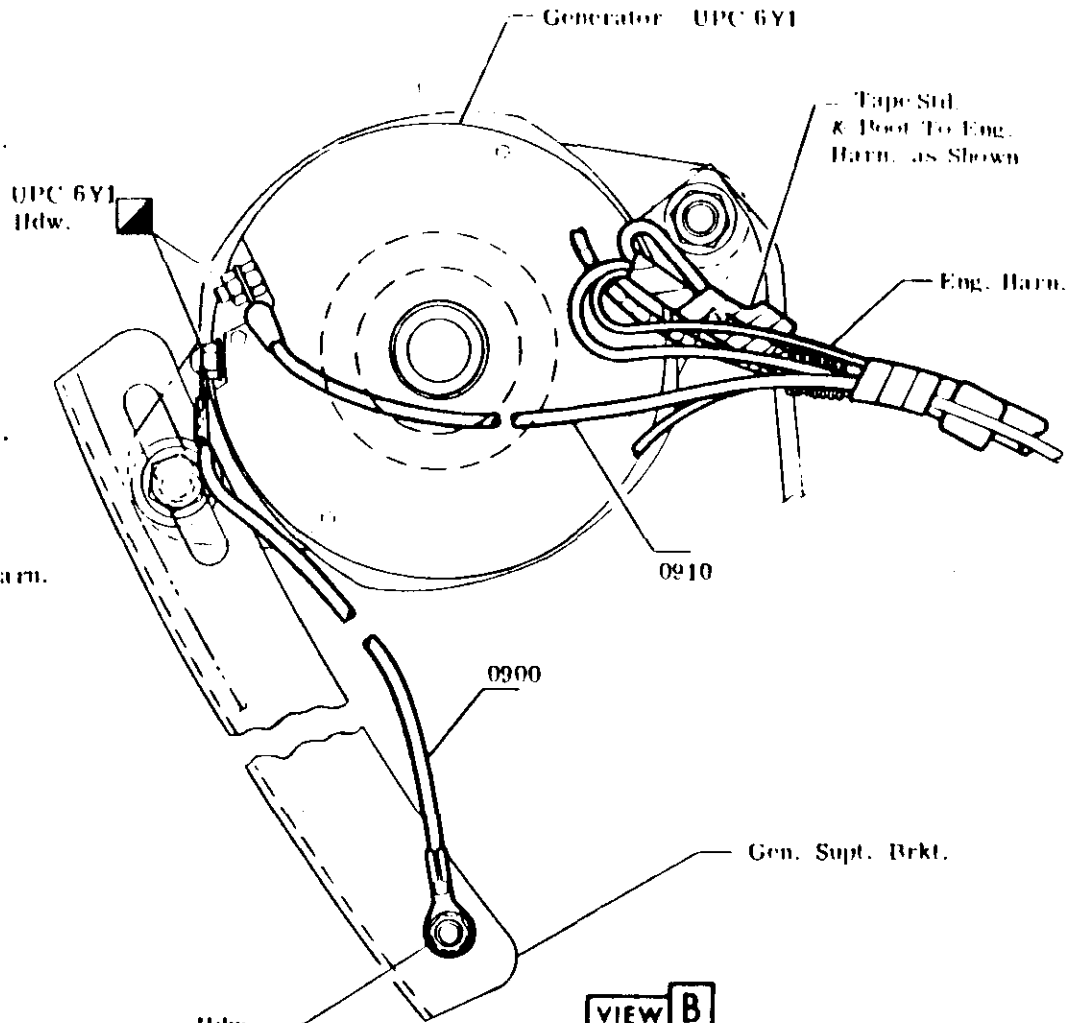


GMT 922 1/75



**VIEW B**

STD. 80 AMP. GEN.

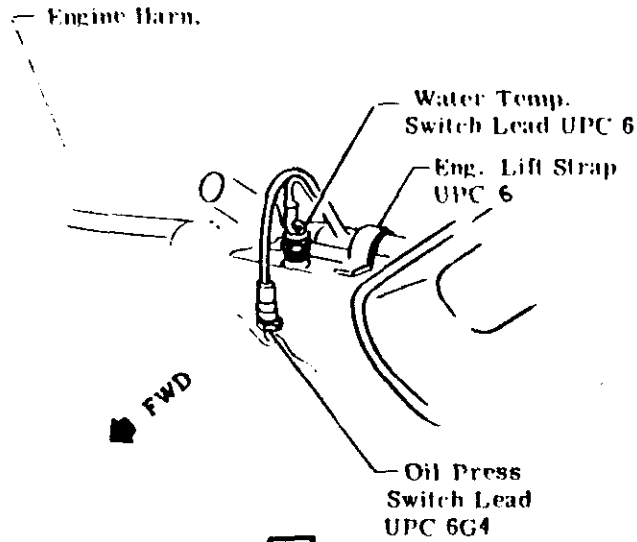


**VIEW B**

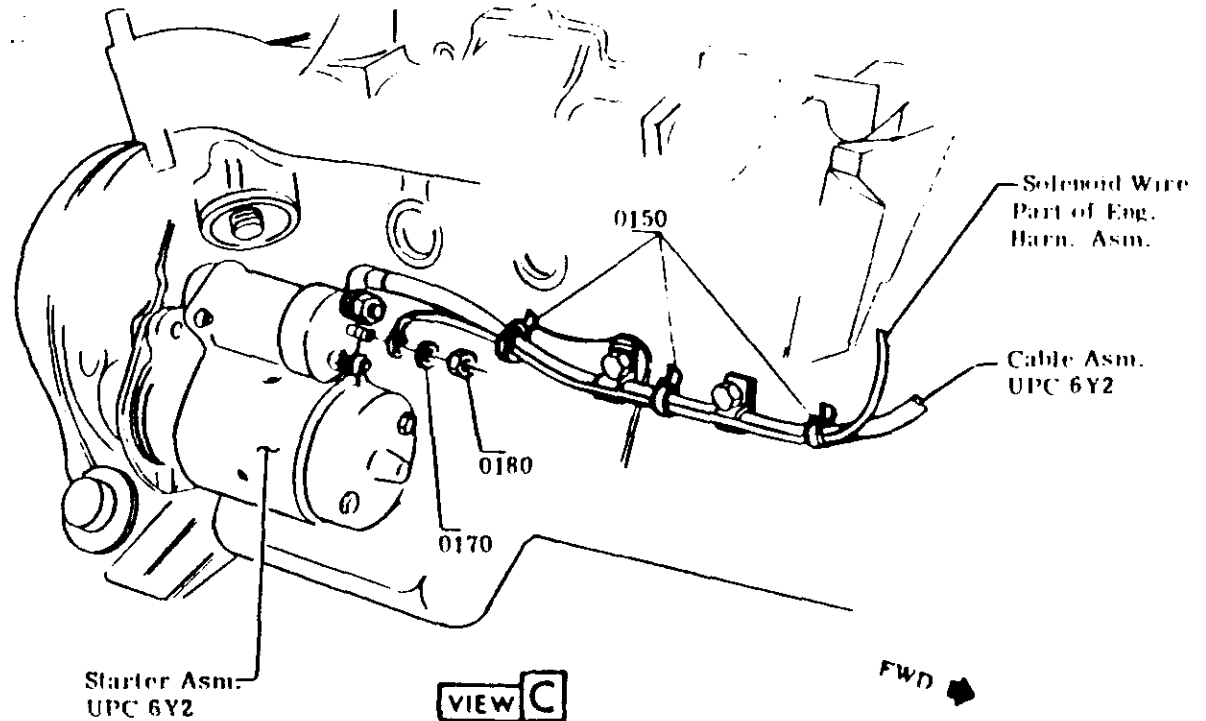
RPO L04 145 AMP. GEN.

DRAWN (Instructions) (ES)	MADE (Inspection) (ES)	DATE	SYM	REVISION	AUM	DR	ER	DEPARTMENTS	78 TRUCK	BOOK 70
▲		6-1-75		ORIGINAL RE-ASL				Thompson	TITLE GENERATOR WIRING	
▲									NAME FUSES DIVISION/UPC SHEET BULBS & 12H 24 CHASSIS WRG	

GMT 922 1/75



**VIEW D**  
From Sht 23

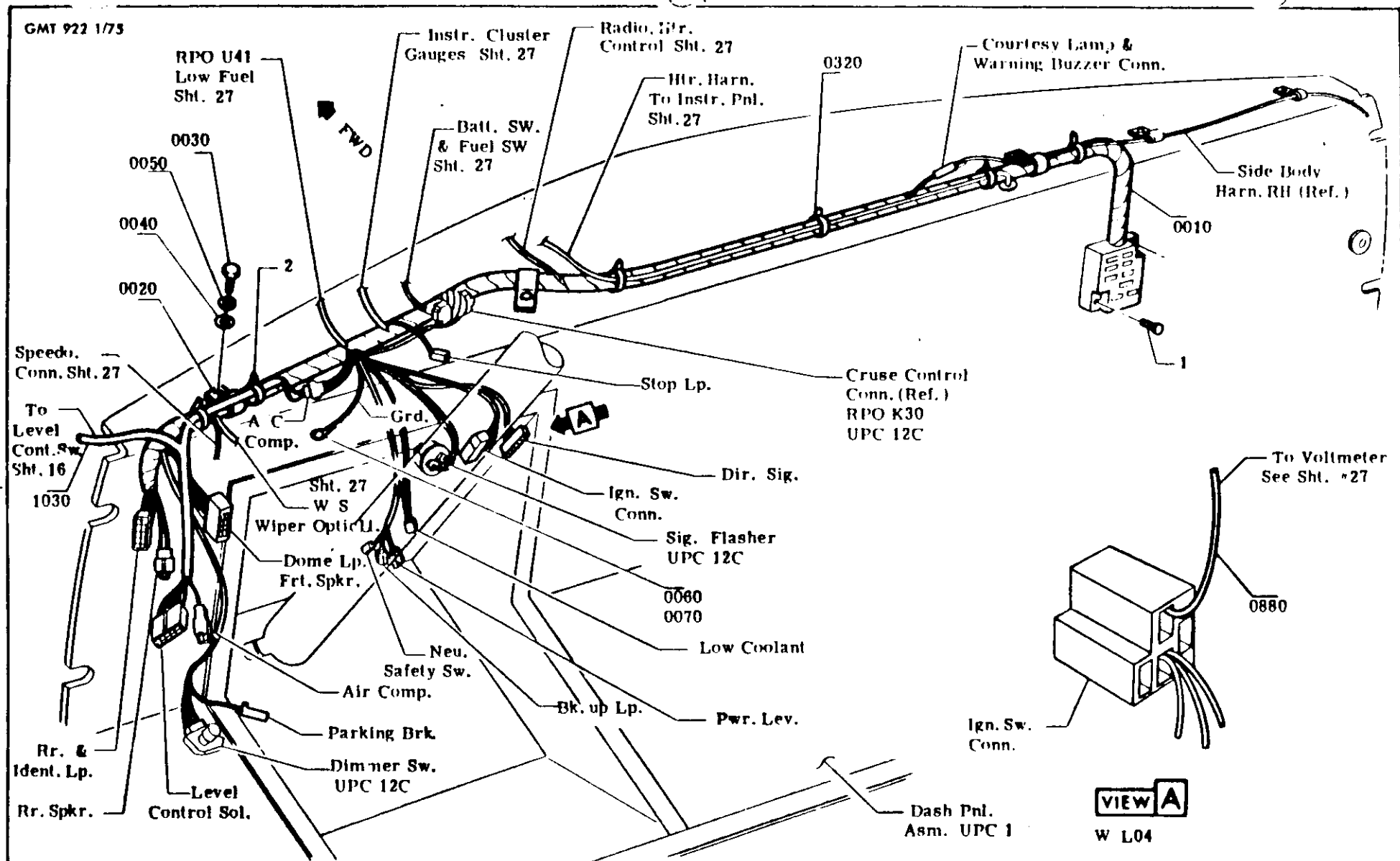


**VIEW C**  
From Sht 23

BY WHOM (Installation) - LBS	DATE	STN	DIVISION	AUTH	DR	CR	DEPARTMENTS	TRUCK	BOOK
▲ ▲ ▲ ▲ ▲	2/11/77		ORIGINAL RELEASE	4/2006	52	A	12H	78	70

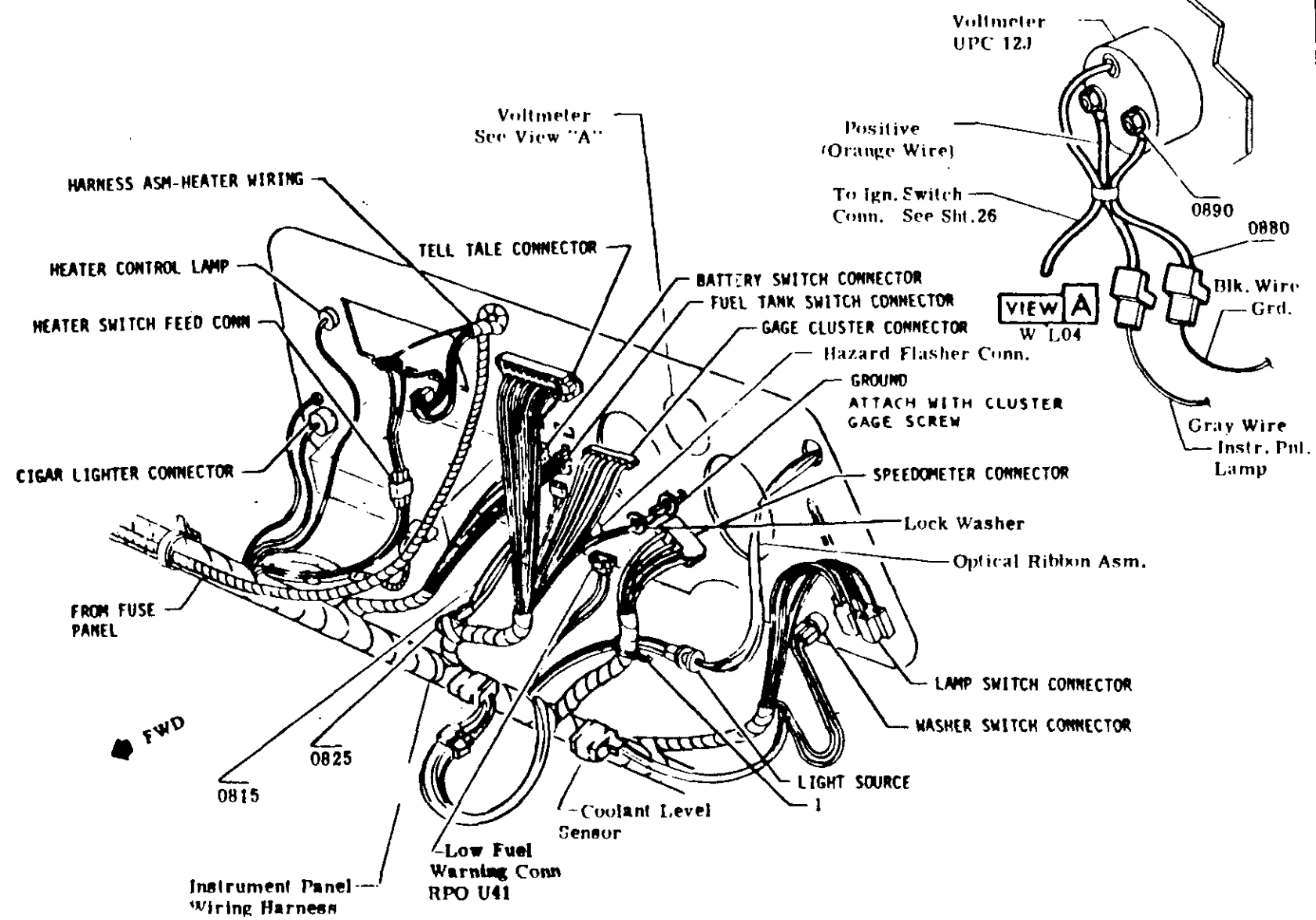
  

TITLE ENGINE HARNESS WIRING	
NAME FUSES BULBS & CHAS. WRG.	DIVISION/UPC <b>12H</b>
SHEET <b>25</b>	



BY (Design) - (LS)	DATE	SYM	REVISION	AUTH	DR	CR	DEPARTMENTS	TRUCK	BOOK	
	2/27/77		ORIGINAL RELEASE	47600				978	70	
								INSTRUMENT PANEL & LEVEL CONTROL HARNESS		
								BASE FUSES, BULBS & CHASSIS WFC	12H	26

GMT 9... 1-73



BY/DATE (Installation) - LBS	MADE (Inspection) - LBS	DATE	SYM	REVISION	AUTH	DR	CK	DEPARTMENT	78 TRUCK	BOOK 70
		2/7/73		ORIGINAL RELEASE	WILL				TITLE	
									INSTRUMENT CLUSTER WIRING	
									NAME FUSES & BULBS CHASSIS WIRING	
									DIVISION 12H	SHEET 27

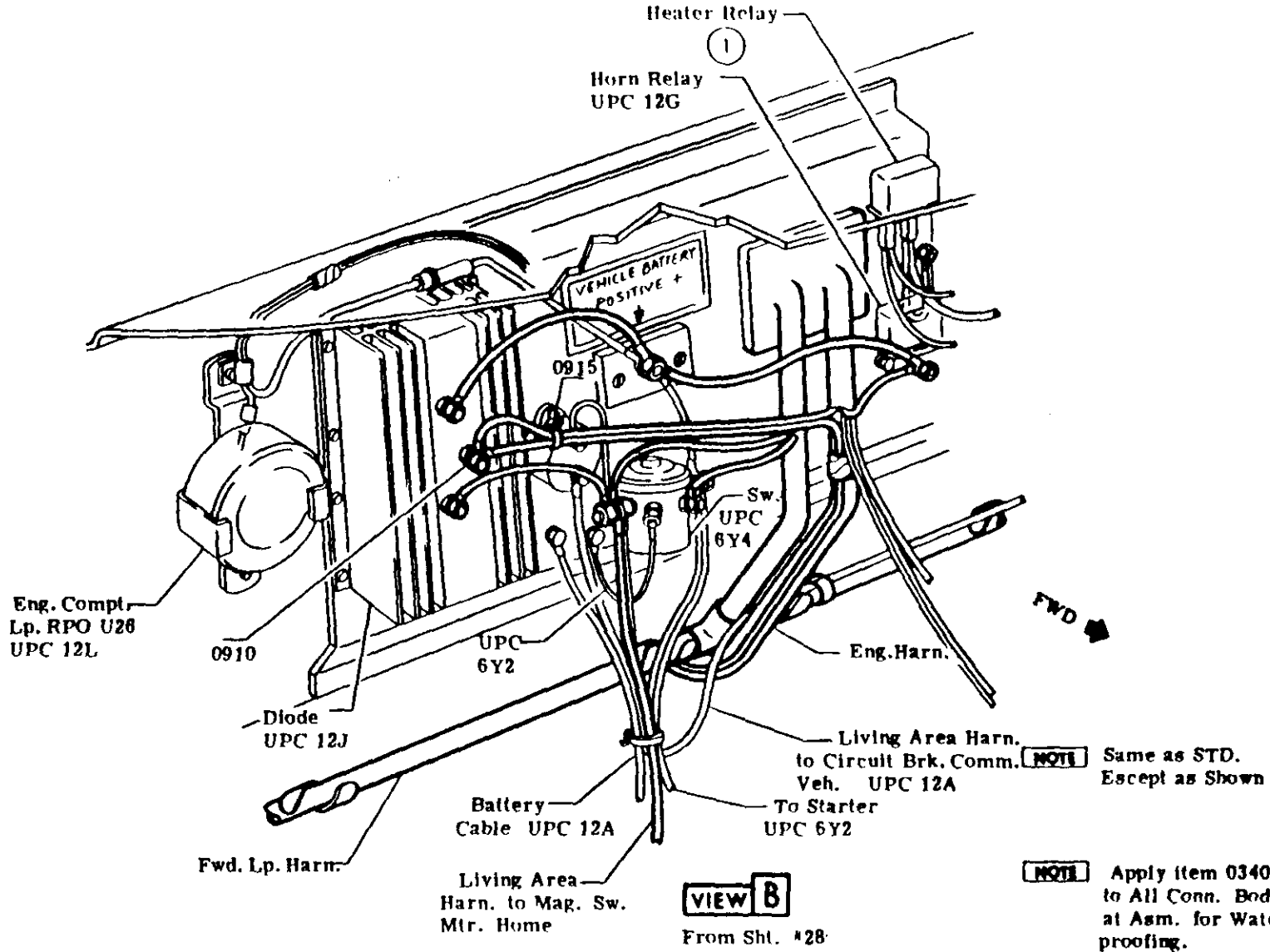






□ ITEM REFERENCE    ◇ PROCESS MATERIAL    △ TORQUE    ▣ PART OF OR EXISTING

GMT 922 1/75



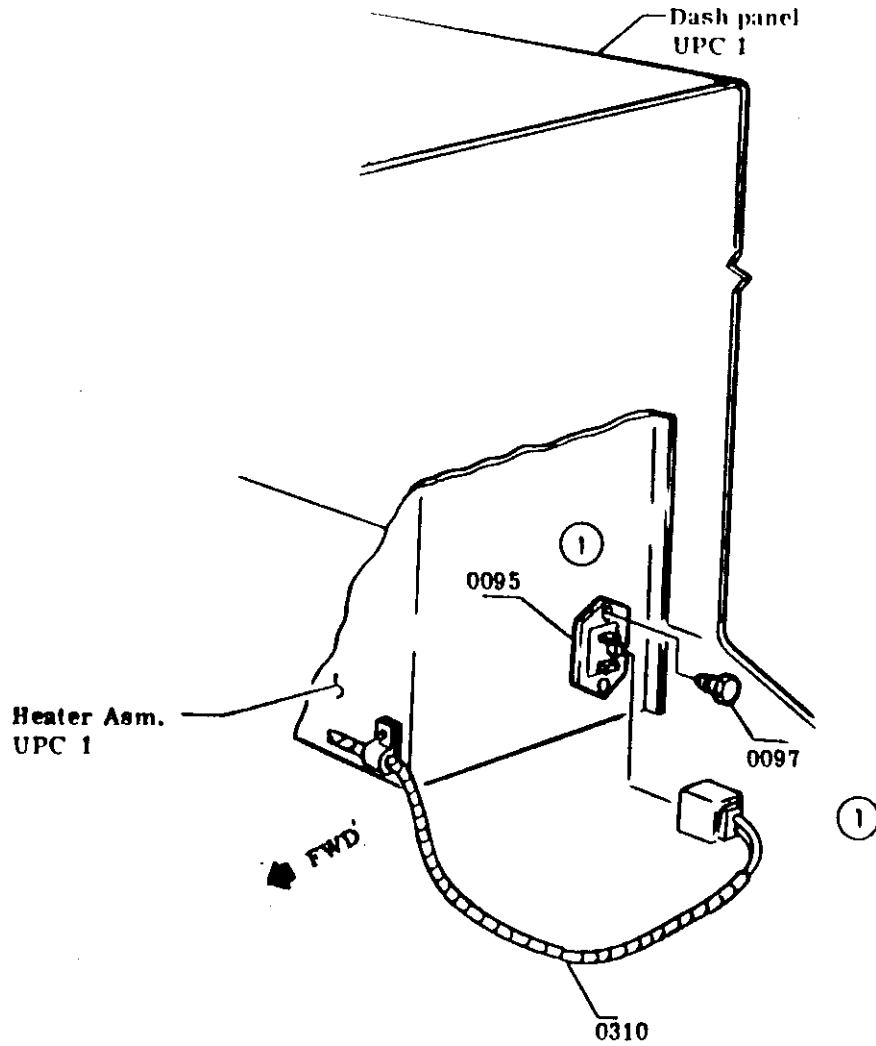
PREPARE (Installation) - 105	NAME (Inspection) - 105	DATE	SYM	REVISION	AUTH	DR	CR	DEPARTMENTS
△		2/17/77		ORIGINAL RELEASE	17002	1/1/78		R. Thompson
△		4/2/77	1	REFER. EC 20450	57317			
△								
△								
△								
△								

<b>78 TRUCK</b>		<b>BOOK 70</b>	
TITLE DASH PANEL ELEC. COMPONENT WIRING W L04			
NAME FUSES, BULBS & CHASSIS WRC	DIVISION/UPC <b>12H</b>	SHEET <b>30</b>	





GMT 922 1/75



SYMBOL (Installation) - (B)	MARK (Inspection) - (B)	DATE	SYM	REVISION	AUTH	DR	CR	DEPARTMENTS	978 TRUCK	BOOK 70
△		2-25-72		ORIGINAL RELEASE	537715			CHIEF	TITLE	
△		11-7-77	1	ITEMS 0090 & 0097 ADDED	51311	16-7-78			HEATER RESISTOR	
△									MINST. OR CR	
△									PANEL & INSTRUMENTS	
△									DIVISION/PC	
△									120	
△									SHEET	31.1

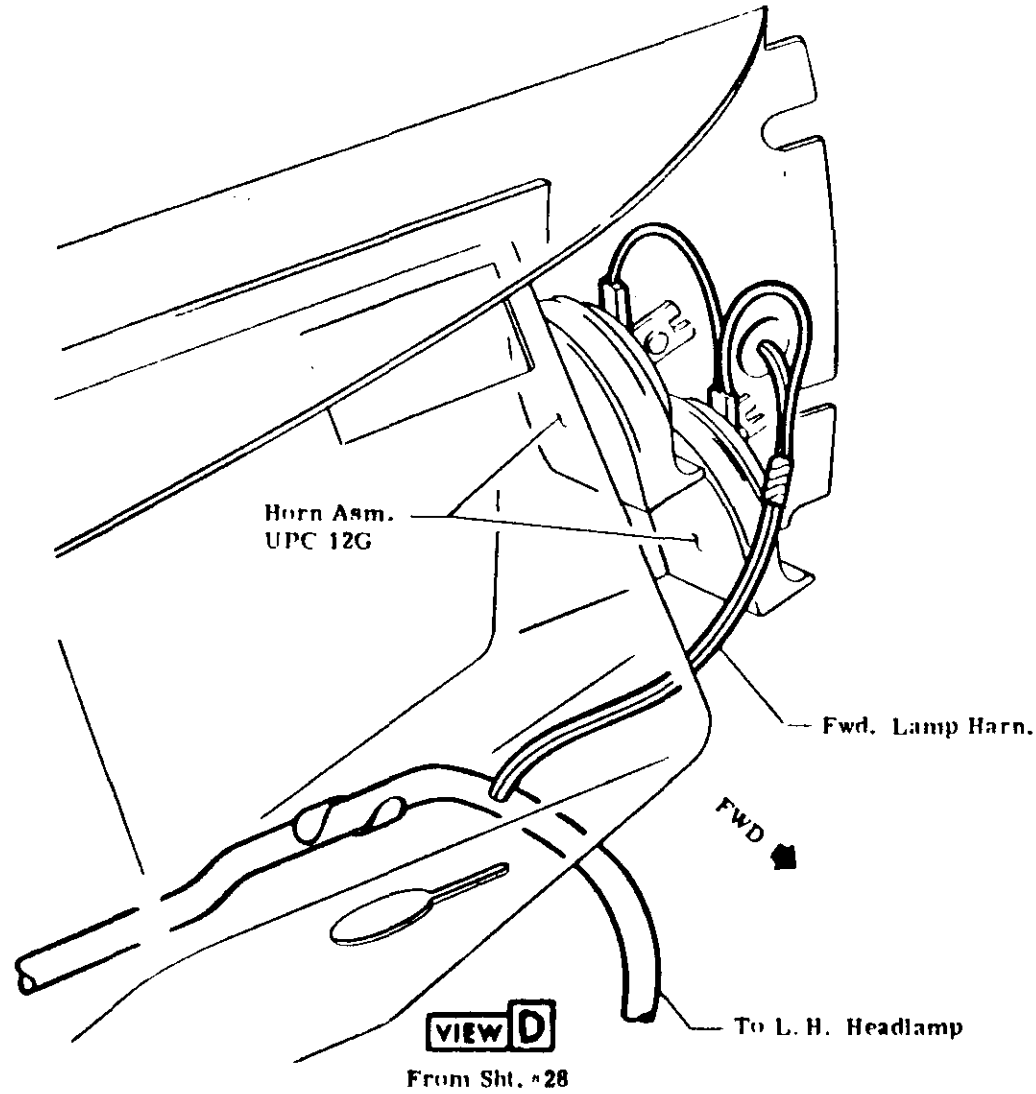
□ ITEM REFERENCE

◇ PROCESS MATERIAL

△ TORQUE

▣ PART OF OR EXISTING

GMT 922 - 75



BY (Installation) - LBS	BY (Inspection) - LBS	DATE	SYM	REVISION	AUTH	DR	TR	DEPARTMENTS	TITLE
		12-17		ORIGINAL RELEASE	17020				<b>78 TRUCK</b>
									<b>BOOK 70</b>
									HORN WIRING
									NAME FUSES DIVISION/UPC SHEET
									BULBS & CHASSIS WFG. <b>12H</b> <b>32</b>

- △
- △
- △
- △



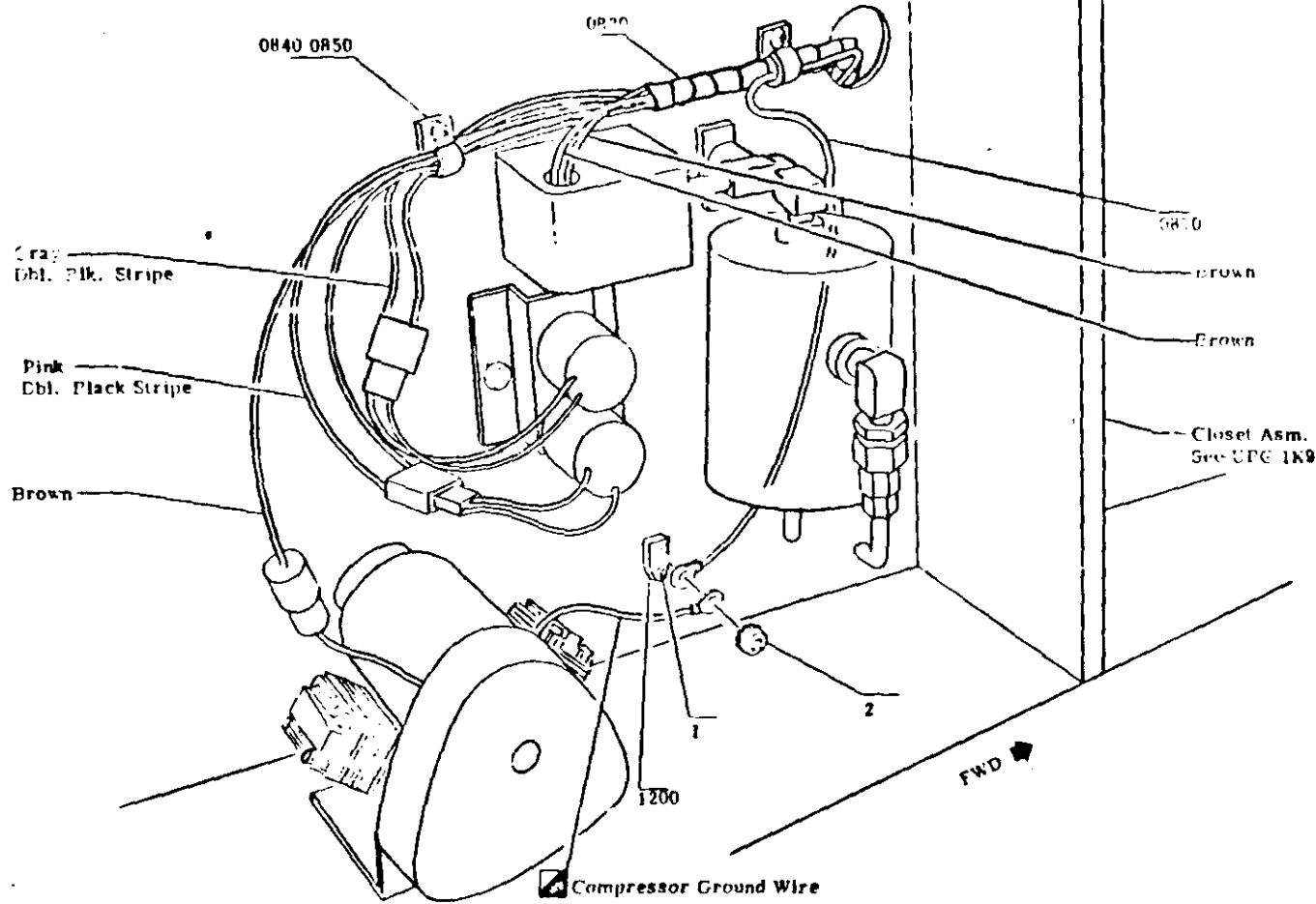


**TRUCK & COACH DIVISION**  
GENERAL MOTORS CORPORATION

**PRODUCT DESCRIPTION MANUAL**

□ ITEM REFERENCE    ◇ PROCESS MATERIAL    ▲ FORMER    ▣ PART OF OR EXISTING

GMT 922 173



ITEM	PART
0830	12002403
0840	701513
0850	7416249
0870	2002637
1200	3905262
1	9414715
2	3759924

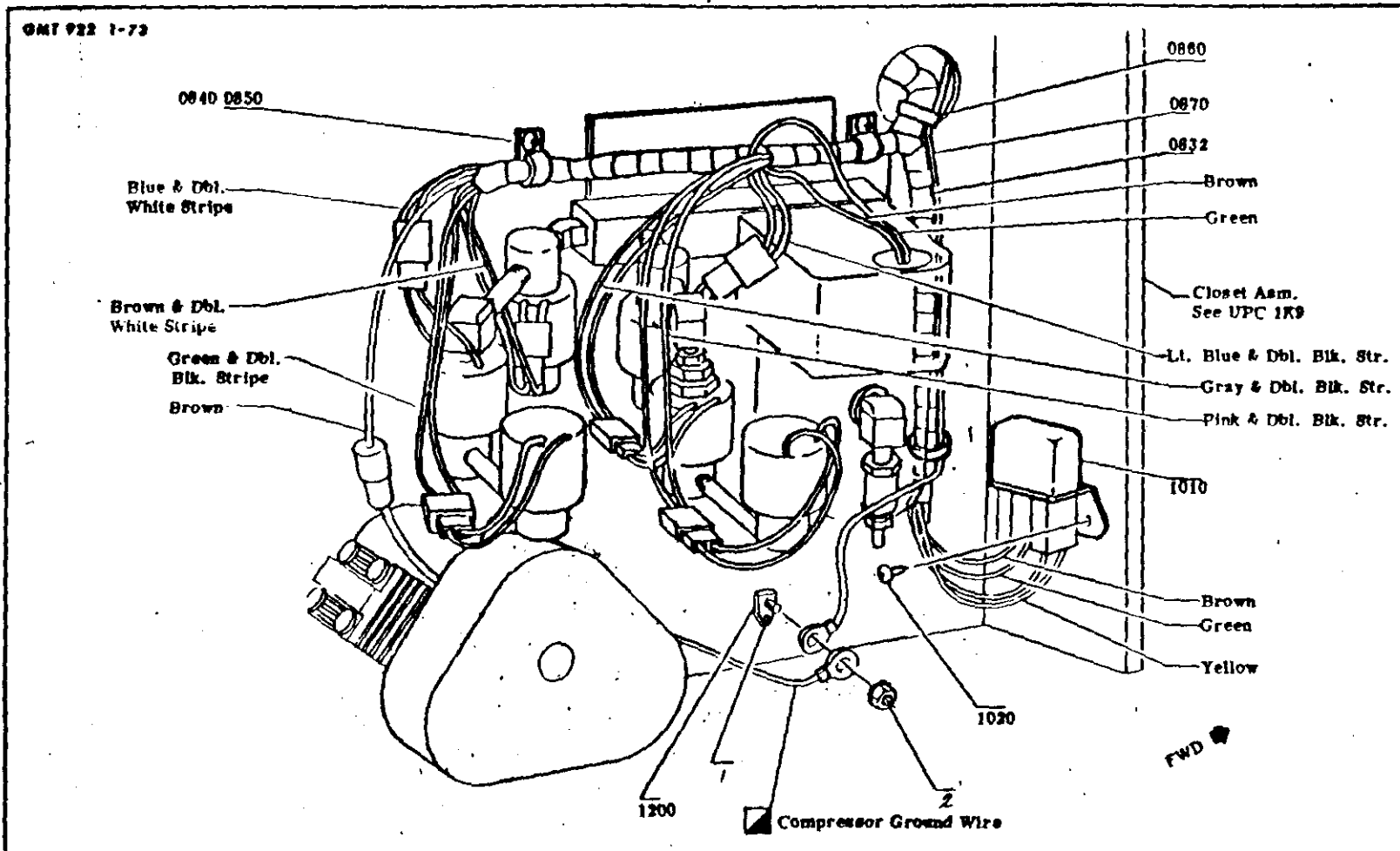
REFERENCE	MD12914
PRELIMINARY	

BY (Installation) - 185	DATE (Installation) - 185	DATE	SYM	REVISION	AUTH	DR	CR	DEPARTMENTS	78 TRUCK	BOOK 70
▲				ORIGINAL RELEASE					TITLE	
▲									HARNES TO MODULE ASSEMBLY	
▲									7416584 W O GXW	
▲									NAME	
▲									DIVISION/CRP	12H
									SHEET	33





□ ITEM REFERENCE    ◇ PROCESS OPTION    ▲ FUSIBLE    ▣ PART OF AN ASSEMBLY



ITEM	PART
0832	12002605
0840	2381322
0850	1116145
0860	8877976
0870	12002606
1010	1115858
1020	9416843
1200	3905263
1	9414715
2	3759924

\* SEE R/M

RD 1204	
PRELIMINARY	

DATE	REV	REVISION	BY	DO	CR	REPARTMENTS
11-17		ORIGINAL RELEASE				GRiffin

'78 TRUCK		BOOK 70	
HARNES TO MODULE ASSEMBLY ZE08501. W/GXW			
12H	35		





# PRODUCT DESCRIPTION MANUAL

## ASSEMBLY INFORMATION

OMY 1001 REV. 9/76

ENGINE, TRANSM & CHAS

ITEM #	PART OR TOOL DESCRIPTION	ADD'L DATA	QTY	PART NUMBER	ENGINE CODES	SERIES	BODY	ITEM RESTRICTION	DEPARTMENTS		CHANGE		LOGIC CODE	FUNCTION CODE	ADDITIONAL CODES	PNA	LINE NOS
									PT	Z/STA	CD	AUTH					
AA01014	ENG & CHAS WRG		*	L8752			01		0782								1.8
AA01034	ENG & CHAS WRG		*	L8680			01		0782								1.9
AA02014	INST PNL WRG		*	L6922					0782								1.11
AA03014	FWD LP WRG		*	L6925					0782								1.13
AA04014	FRT PF WRG HARN		*	MD10421					0782								1.15
AA04024	& DRILL INSTL								0782								1.16
AA05014	LH SI BODY WRG		*	MD12914			01		0782								1.18
AA05024	HARN & DRILL								0782								1.19
AA07014	LH SI BODY WRG		*	MD12915		65	FE		0782								1.22
AA07024	HARN & DRILL								0782								1.23
AA08014	LH SI BODY WRG		*	MD12916		60	BE		0782								1.25
AA08024	HARN & DRILL								0782								1.26
AA09014	TERM INSTL &		*	MCR3P76					0782								1.28
AA09024	GRD INSTR								0782								1.29
AA10014	ENG & TRANS HTG		*	L3594					0782								1.31
AA11014	RR SI BODY WRG		*	MD14650					0782								1.33
AA11024	HARN								0782								1.34
AA12014	HYR WRG HARN		*	L6923					0782								1.36
AA12024	INSTL								0782								1.37
AA13014	RR BODY WRG		*	L4218			UPA		0782								1.39
AA13024	HARN								0782								1.40
AA14014	RR 57LP SI HWR		*	L4301					0782								1.42
AA14024	& LIC PLT								0782								1.43
AA15014	INSY CSTR WRG		*	L6924					0782								1.45
AA16014	INSY CSTR INSTL		*	L7869					0782								1.47
AA17014	LVL VLV CONT PNL		*	L8356					0782								1.49
AA18014	FLR INSTL		*	L8017					0782								1.51
AA19014	403 ENG ACSRV		*	L8679					0782								1.53
AA19024	INSTL								0782								1.54

1 2 3 4 5	2E06X00	MODEL YEAR 1978
	MODEL APPLICATION	ORIGIN DATE 77C801
	FUSES, BULBS & CHASSIS WIRING	LAST ENG. DATE
P.M.V.B.B.	REFERENCE	UPC DESCRIPTION
		LAST CHG. CODE
		70 12M A 1
		DR. V. P. G. BRP PAGE

ITL	PART OR TOOL DESCRIPTION	ADD'L DATA	QTY	PART NUMBER	ENGINE CODES	SERIES	REV	ITEM RESTRICTION	DEPARTMENT		CHANGE		LOGIC CODE	FUNCTION CODE	ADDITG CODES	LINE NOS
									ST	2/STA	CD	AUTH				
AA20014	ENG COMP DR INSTR		*	MD10709				U26	0782							1.54
AA21014	ENG & CHAS WRG		*	LF752					0754							1.55
AA21024	ENG & CHAS WRG		*	LR680					0754							1.56
AA22014	INST PNL WRG		*	L6922					0754							2.2
AA23014	FWD LP WRG		*	L6925				U26	0754							2.4
AA24014	FRT RF WRG HARN		*	MD10421					0754							2.6
AA24024	& DRL								0754							2.7
AA25014	LH SI BODY WRG		*	MD12914					0754							2.9
AA25024	HARN & DRILL								0754							2.10
AA26014	LH SI BODY WRG		*	MD12915		65	83		0754							2.11
AA26024	HARN & DRILL								0754							2.12
AA27014	LH SI BODY WRG		*	MD12916		60	83		0754							2.13
AA27024	HARN & DRILL								0754							2.14
AA28014	TERM INSTL &		*	MDP3P76					0754							2.15
AA28024	GRD INSTR								0754							2.16
AA29014	ENG & TRANS MYG		*	L3594					0754							2.21
AA30014	RR SI BODY WRG		*	MD14650					0754							2.22
AA30024	HARN								0754							2.23
AA31014	HYR WRG HARN		*	L6923					0754							2.24
AA31024	INSTR								0754							2.25
AA32014	RR BODY WRG		*	L4218					0754							2.26
AA32024	HARN								0754							2.27
AA33014	RR S/LP SI HRR		*	L4301					0754							2.28
AA33024	& LTC PLY								0754							2.29
AA34014	INST CSTR WRG		*	L6924					0754							2.30
AA34024	INST CSTR INSTR		*	L7869					0754							2.31
AA36014	LVL VLV CONT PNL		*	LR356					0754							2.32
AA37014	FLR INSTR		*	LB017					0754							2.33
AA38014	403 ENG ACSRY		*	LR679					0754							2.34
AA38024	INSTR								0754							2.35

1 2 3 4 5	REFERENCE	ZF06X00	MODEL YEAR 1978
		MODEL APPLICATION	ORIGIN DATE 770801
		FUSES, FULBS & CHASSIS WIRING	LAST CHG. DATE
		UPC DESCRIPTION	LAST CHG. CODE
F.M.V.B.B.			70 12H A 2
			BK V. P. C. GMP PAGE



# PRODUCT DESCRIPTION MANUAL

## ASSEMBLY INFORMATION

GMT 1001 REV. 8/78

GMC TRUCK & COACH

ITEM	PART OR TOOL DESCRIPTION	ADD'L DATA	QTY	PART NUMBER	ENGINE CODES	REVISED	REVISED	ITEM RESTRICTION	DEPARTMENTS		CHANGE		LOGIC CODE	FUNCTION CODE	ADDITIONAL CODES	FNA	LINE NOS
									#1	2/STA	CD	AUTH					
AA39C14	ENG COMP DR INSTR			MD10709				U26	0754								2.46
AA40G14	ENG & CHAS WRG			L8752					0752								2.48
AA40Z14	ENG & CHAS WRG			L8680					0752								2.49
AA41014	INST PNL WRG			L6922					0752								2.51
AA41014	FWD LP WRG			L6925				U26	0752								2.53
AA42014	FRT RF WRG HARN			MD10421					0752								2.55
AA42024	G DRILL INSTL								0752								2.56
AA43C14	LH ST BODY WRG			MD12914					0752								2.58
AA43024	HARN & DRILL								0752								2.59
AA44014	LH ST BODY WRG			MD12915		65	P3		0752								3.2
AA44024	HARN & DRILL								0752								3.3
AA45014	LH ST BODY WRG			MD12916		60	P3		0752								3.5
AA45024	HARN & DRILL								0752								3.6
AA46014	YERN INSTL &			MDR3876					0752								3.8
AA46024	GRD INSTR								0752								3.9
AA47014	ENG & TRANS HYG			L3594					0752								3.11
AA48C14	RF ST BODY WRG			MD14250					0752								3.13
AA48024	HARN								0752								3.14
AA49C14	MTR WRE HARN			L6923					0752								3.16
AA49024	INSTL								0752								3.17
AA50014	RR BODY WRG			L4218				UPA	0752								3.19
AA50024	HARN								0752								3.20
AA51014	RR S/LP ST MKR			L4301					0752								3.22
AA51024	& LIC PLY								0752								3.23
AA52C14	INST CSTR WFG			L6924					0752								3.25
AA53014	INST CSTR INSTL			L7869					0752								3.27
AA54C14	LVL VLV CHMY PNL			L8356					0752								3.29
AA55C14	FLR INSTL			L8011					0752								3.31

	ZF06X00	MODEL YEAR 1978 ORIGIN DATE 770801 LAST CHG. DATE LAST CHG. CODE
MODEL APPLICATION FUSES, BULBS & CHASSIS WIRING VPC DESCRIPTION		70 12M A 3 OR U. P. S. ORF PAGE

GM TRUCK & COACH

PRODUCT DESCRIPTION MANUAL

ASSEMBLY INFORMATION

ITEM	PART OR TOOL DESCRIPTION	ADD'L DATA	QTY	PART NUMBER	ENGINE CODES	SERIES	REV	ITEM RESTRICTION	DEPARTMENT		CHANGE		LOGIC CODE	FUNCTION CODE	ADDITIONAL CODES	A	LINE NO.
									ST	2/STA	CD	AUTH					
AA50014	403 ENG ACSRY		*	L8679					0752								3.33
AA50024	INSTR								0752								3.34
AA51024	ENG COMP DR INSTR		*	MD10709					0752								3.36
AA58014	ENG & CHAS WRG		*	L8752					0704								3.38
AA58024	ENG & CHAS WRG		*	L8680					0704								3.39
AA59014	INST PML WRG		*	L6922					0704								3.41
AA60014	FWD LP WRG		*	L6925					0704								3.42
AA61014	FRT RF WRG HARN		*	MD10421					0704								3.44
AA61024	& DRILL INSTR								0704								3.46
AA62014	LH SI BODY WRG		*	MD12914					0704								3.48
AA62024	HARN & DRILL								0704								3.49
AA63014	LH SI BODY WRG		*	MD12915		65	83		0704								3.51
AA63024	HARN & DRILL								0704								3.52
AA64014	LH SI BODY WRG		*	MD12916		60	83		0704								3.54
AA64024	HARN & DRILL								0704								3.55
AA65014	TERM INSTR &		*	MDP3878					0704								3.57
AA65024	GRD INSTR								0704								3.58
AA66014	ENG & TRANS MTC		*	L3594					0704								4.1
AA67014	RH SI BODY WRG		*	MD14650					0704								4.2
AA67024	HARN								0704								4.4
AA68014	HYR WRG HARN		*	L6923					0704								4.6
AA68024	INSTR								0704								4.7
AA69014	RR BODY WRG		*	L4216					0704								4.9
AA69024	HARN								0704								4.10
AA70014	RR 5/LP SI WRG		*	L4301					0704								4.12
AA70024	& LIC PLT								0704								4.13
AA71014	INST CSTR WRG		*	L6924					0704								4.15
AA72014	INST CSTR INSTR		*	L7869					0704								4.17
AA73014	LVL VLV CONT PHU		*	L8356					0704								4.19

1	REFERENCE	ZE06X00	MODEL YEAR IS 78
2			ORIGIN DATE 770801
3			LAST CHG. DATE
4			LAST CHG. CODE
5			70 12H A 4
P.M.V.S.S.		FUSES, BULBS & CHASSIS WIRING	70 12H A 4
		UPC DESCRIPTION	BK U. P. C. SHP PAGE

PRODUCT DESCRIPTION SHEET

ASSEMBLY INFORMATION

ITEM NO.	PART DESCRIPTION	QTY	PART NUMBER	ENGINE CODES	REF	NOY	ITEM RESTRICTION	DEPARTMENTS		CHANGE		REVISION	ADDITL CODES	NA
								#1	205TA	CD	AUTH			
AA74014	FLR INST	1	L867					0704						
AA75014	403 ENG ALKY	1	L867					0704						4.4
AA75024	INSTL	1						0704						4.4
AA76024	ENG & CHAS WRG	1	L923			L04		0782						4.4
AA77014	ENG & CHAS WRG	1	L9196			L04		0782						4.44
AA78014	ENG & CHAS WRG	1	L9233			L04		0754						4.30
AA79014	ENG & CHAS WRG	1	L9196			L04		0754						4.44
AA80014	ENG & CHAS WRG	1	L9233			L04		0752						4.34
AA81024	ENG & CHAS WRG	1	L9196			L04		0752						4.30
AA82014	ENG COMP DR INSTR	1	MD10709			026		0704						4.30
AA83014	ENG & CHAS WRG	1	L9233			L04		0704						4.40
AA84014	ENG & CHAS WRG	1	L9196			L04		0704						4.44
U010AA	HARN ASM I/P	1	2006510					0782	39	03744	0000390100			4.40
U020AA	CLIP DA PNL	3	2490826					0782	39		0000390105			4.44
U030AA	SCREW CLIP	3	9420065					0782	39					4.54
U040AA	WASHER	3	9419892					0782	39					4.53
U050AA	WA LR	3	121753					0782	39					4.55
U060AA	SCREW I/P GRD	1	9415191					0782	39					4.57
U070AA	WA LR GRD	1	121752					0782	39					4.54
U080AA	CLIP I/P HARN RH	2	2281754					0782	39		0000390110			5.2
U090AA	SCREW CLIP	2	9422037					0782	39					5.4
U095AA	RESISTOR HTR BLD	1	3942651					0782	37	57317	0000370095			5.6
U097AA	SCR RES	2	9419303					0782	37	57317				5.8
U100AA	CLIP HTR WR	2	2281756					0782	39		0000390115			5.10

ZE06X00

MODEL YEAR 1978  
 ORIGIN DATE 770801  
 LAST CHG. DATE 770816  
 LAST CHG. CODE 3744

MODEL APPLICATION  
 FUSES, BULBS & CHASSIS WIRING  
 UPC DESCRIPTION

70 12M A 5  
 BK. U. P. C. GMP PAGE

F.M.V.B.B.

REFERENCE

PRODUCT DESCRIPTION MANUAL  
ASSEMBLY INFORMATION

ITEM	E	Q	PART OR TOOL DESCRIPTION	ADD'L DATA	QTY	PART NUMBER	ENGINE CODES	SERIES	BODY	ITEM RESTRICTION	DEPARTMENTS		CHANGE CD	LOGIC AUTH	LOGIC CODE	FUNCTION CODE	ADDITL CODES	LINE NOS
											#1	2/STA						
0110AA			WIRE RLV TO ELD		1	8913700				-11M77058	0782	42		CORR	0449420300			5.12
0120AA			WIRE HTR HARN		1	9796367					0782	42			0000420305			5.14
0130AA			WREN ASM ETC		1	12000249					0752	62			0000620315			5.16
0140AA			STRAP TO FAT CPU		3	8877974					0752	62			0000620320			5.18
0150AA			STRAP HARN FARD		3	8877974					0752	62			0000620325			5.20
0170AA			STRAP HARN/WH		2	409717					0752	62			0000620330			5.22
0170AA			WELK P SOL		1	130530					0752	62						5.24
0180AA			NUT SW WR/SOL		1	120022					0752	62						5.26
0190AA			CLIP WRC HARN		2	2488357					0752	62			0000620335			5.28
0200AA			PIVET HARN CLIP		2	2393958					0752	62						5.30
0210AA			WREN FWD ET WRC		1	12000950					0782	38			0000380135			5.32
0220AA			CLIP HARN		2	2301257					0782	38			0000380140			5.34
0240AA			CLIP FWD ET HARN		8	2488357					0782	38			0000380145			5.36
0240AA			RIVET FARN CLIP		8	700388					0782	38						5.38
0250AA			SCREW GRD WR		1	9422404					0782	38						5.40
0270AA			WASHER SCREW		1	120423					0782	38						5.42
0270AA			SC WRC HARN CLIP		2	9427927					0782	38						5.44
0280AA			NUT CLIP STREW		2	9421577					0782	38						5.46
0290AA			SC GRD TO MT/PLT		1	9422404					0782	38						5.48
0300AA			WASHER GRD SC		1	120423					0782	38						5.50
0310AA			HARN HTR WRC		1	12000937					0782	42			0000420310			5.52
0320AA			STRAP HARN CONT		3	8877974					0782	42			0000420315			5.54
0330AA			RELAY PTR (DELAY		1	381904					0782	40			0000400080			5.56
0340AA			RELAY PTR		1	1115730					0782	37			0000370090			5.58

MODEL APPLICATION FUSES, BULBS & CHASSIS WIRING	UPC DESCRIPTION FELBX00	MODEL YEAR IS 78
		ORIGIN DATE 770801
		LAST CHG. DATE 770823
		PART CHG. CODE CORR.
		TO 12M 2 8
PMVSB	REFERENCE	BK. V. P. C. 897 PAGE



ITEM	PART OR TOOL DESCRIPTION	ADD'L DATA	QTY	PART NUMBER	ENGINE CODES	SERIES	BODY	ITEM RESTRICTION	DEPARTMENTS		CHANGE		LOGIC CODE	FUNCTION CODE	ADDITION CODES	LINE NOS.
									#1	2/81A	CD	AUTH				
0320AA	SCR HTR-PLT		3	9422404					0782	37						6.3
0330AA	WA		3	120423					0782	37						6.5
0335AA	WIRING ASM RLY		1	12006502					0782	40		0000	400005			6.7
0337AA	SCR RELAY MT		2	9414712					0782	40						6.9
0340AA	GREASE TERMINAL	AS REQD	4	9985208					0782	42						6.11
0350AA	GROM FUEL WIRE		1	2008027					0704	12						6.13
0360AA	GROM SI POST		1	2191906					0704	12						6.15
0370AA	GROM F/TK WIR		1	187540					0704	11						6.16
0380AA	BREAKER A/SUSP		1	2474055					0782	42		0000	420320			6.19
0390AA	GROM BODY HARN		1	790945			81		0782	39		0000	390420			6.21
0400AA	HARN RE FRY WRC		1	12000951			83		0782	43		0000	430110			6.23
0410AA	CLIP HARN		2	708513					0704	12		0000	120015			6.25
0412AA	CLIP SI BODY HRN		3	708513					0704	12		0000	120020			6.27
0413AA	STRAP BODY HARN		3	676543					0704	12		0000	120725			6.29
0414AA	STRAP LVL CONT		2	676543					0704	12		0000	120030			6.31
0415AA	BKR LIV AREA		1	2212295			83		0704	12		0000	120035			6.33
0416AA	SC CIRC BKRK		2	160069			83		0704	12						6.35
0417AA	WA BKRK MYG		2	121801			83		0704	12						6.37
0420AA	TAPE		4	R35089				APPRX 3.5 IN PER JCM	0782	43						6.39
0430AA	CONN RE FRY WR		1	2965972					0782	43		0000	430115			6.41
0440AA	BULB HRR LP		10	142450					0782	39		0000	390125			6.43
0450AA	BULB HRR LP		4	9421330					0782	38		0000	380150			6.45
0460AA	BULB LIC PLY LP		1	142450					0782	38		0000	380155			6.47

REV. 88	REFERENCES	2E06X00	MODEL YEAR 1978
		MODEL APPLICATION FUSES, BULBS & CHASSIS WIRING	ORIGIN DATE 770801
		UPC DESCRIPTION	LAST CHG. DATE
			LAST CHG. CODE
			70 12H A 7
			BK. V. P. C. QNT PAGE



# PRODUCT DESCRIPTION MANUAL

## ASSEMBLY INFORMATION

GMY 1061 REV. 8/78

GMC TRUCK & COACH

ITEM	QTY	PART OR TOOL DESCRIPTION	ADD'L DATA	QTY	PART NUMBER	A/O/D	ENGINE CODES	SERIES	BOY/RNK	ITEM RESTRICTION	DEPARTMENTS		CHANGE CD	LOGIC AUTH	LOGIC CODE	FUNCTION CODE	ADDITIONAL CODES	LINE NO.
											41	2 STA						
0470AA		HARN BODY LH SI			112000952				81		0704	12			0000120040			0044
0470AC		HARN BODY LH SI			112000954			60	83		0704	12			0000120040			0044
0470AD		HARN BODY LH SI			112000953			65	83		0704	12			0000120040			0044
0480AA		STRAP TO RR HARN			1 8817974						0782	60			0000000090			0054
0490AA		CLIP RH			4 708213						0704	12			0000120045			0054
0500AA		CLIP BODY HARN			4 2381771				81		0704	12			0000120050			0054
0540AA		STRAP SI B/HARN			4 8817974				83		0704	12			0000120055			0054
0550AA		SCREW			4 9418235				81		0704	12						101
0560AA		WASHER			4 121753				81		0704	12						103
0590AA		CUNN F/TNR HARN			1 2965980						0754	88			0000880072			104
0600AA		CUNN F/TNR HARN			1 2977253						0704	12			0000120060			101
0605AA		CUNN SI B/HARN			1 2977689						0782	39			0000390130			104
0610AA		CUNN SI B/HARN			1 2977048				81		0782	39			0000390135			101
0620AA		CABLE LIVING AREA			112000190				81		0704	12			0000120065			101
0630AA		CLIP CABLE			1 8911472				81		0754	88			0000880080			101
0635AA		WIRE ASM BODY RH			1 8913657			65			0704	12			0000120070			101
0635AB		WIRE ASM BODY RH			1 8913658			60			0704	12			0000120070			101
0660AA		GRM WR/SI POST			8 2489333			65			0704	12						101
0660AB		GRM WR/SI POST			1 2489333			60			0704	12						101
0670AA		STRAP WIRE ASM			3 8877974				81		0704	12			0000120075			101
0670AB		STRAP WIRE ASM			2 8877974				83		0704	12			0000120075			101
0680AA		WIRE BUY/FRM GRM			2 8913708						0752	69	REPR		0000000090195			101
0690AA		SCREW			2 9427682						0752	69						101
0700AA		WA LR			2 120423						0752	69						101
0710AA		WIRE BUDE H SW			112002619						0782	37			0000370080			101
0720AA		WIRE ISULATOR			112000934						0782	37			52120000370085			101
0730AA		TAPE			4 R35049						0782	37						101

	ZE06X00	MODEL YEAR 1976
	MODEL APPLICATION	ORIGIN DATE 170801
	FUSES, BULBS & CHASSIS WIRING	LAST CHG DATE 170914
	UPC DESCRIPTION	LAST CHG CODE 0000 REPR
F.M.V.B.	REFERENCE	70 12H A B BK U. P. C. GMP PAGE



# PRODUCT DESCRIPTION MANUAL

## ASSEMBLY INFORMATION

GMT 1001 REV. 8/78

GEN. TRUCK & COACH

ITEM	QTY	PART OR TOOL DESCRIPTION	ADD'L DATA	QTY	PART NUMBER	ENGINE CODES	SERIES	REV. LINK	ITEM RESTRICTION	DEPARTMENTS		CHANGE CD	AGTH	LOGIC CODE	FUNCTION CODE	ADDITIONAL CODES	LINE NOS
										#1	2 STA						
0740AA	1	WIRE ASM LIG LP		1	8913601					0782	38			0000380160			7.38
0750AA	1	WIRE WIRE		1	2411483					0782	38						7.40
0760AA	1	HARN KF BUDY NR		1	112000936					0782	40			0000400095			7.40
0770AA	5	CLIP HARN		5	708513					0782	40			0000400100			7.40
0780AA	4	BULB DM LP		4	9431808					0782	41			0000410275			7.40
0790AA	1	CABLE FUEL TANK		1	8910957					0752	77			0000770320			7.40
0800AA	1	TAPE CABLE		1	R35089					0752	77						7.50
0810AA	1	CLIP CABLE		1	2281754					0754	88			0000880085			7.50
0815AA	1	WIRE SUSP BUZZER		1	8913665					0782	44			0000440170			7.50
0820AA	1	SCREW CABLE		1	9416642					0754	88						7.50
0825AA	1	RELAY LVL CONT		1	701215					0782	44			0000440175			7.50
0830AA	1	HARNASS ASM		1	12002636				GXM	0704	12			1387120080			8.1
0832AA	1	HARN LVL CONT		1	12002605		65		GXM	0704	12			1387120082			8.1
0832AB	1	HARN LVL CONT		1	12002614		60		GXM	0704	12			1387120082			8.1
0835AA	1	HARN LVL CONT		1	12001638			81	GXM	0704	12			1388120085			8.1
0835AB	1	HARN LVL CONT		1	12002639			83	GXM	0704	12			1388120085			8.1
0837AA	1	CLIP HARN		1	2295142			83	GXM	0704	12			1387120120			8.1
0840AA	4	CLIP HARN		4	708513				GXM	0704	12			1388120125			8.1
0840AB	4	CLIP HARN		4	2381322				GXM	0704	12			1387120125			8.1
0845AA	1	SCREW		1	9427682					0704	12						8.1
0850AB	4	SCREW HARN CLP		4	9416843			81		0704	12						8.1
0850AC	2	SCREW HARN CLP		2	9427682			83		0704	12						8.1
0855AA	4	STRAP		4	8877976				GXM	0704	12			1387120088			8.1
0860AA	4	STRAP		4	8877976					0704	12			0000120090			8.1

1 2 3 4 5 6 7 8 9 10 11 12 13 14 15 16 17 18 19 20 21 22 23 24 25 26 27 28 29 30 31 32 33 34 35 36 37 38 39 40 41 42 43 44 45 46 47 48 49 50 51 52 53 54 55 56 57 58 59 60 61 62 63 64 65 66 67 68 69 70 71 72 73 74 75 76 77 78 79 80 81 82 83 84 85 86 87 88 89 90 91 92 93 94 95 96 97 98 99 100	2E06X00										MODEL YEAR 1978 ORIGIN DATE 170801 LAST CHG. DATE 770919 LAST CHG. CODE 61244					
	MODEL APPLICATION FUSES, BULBS & CHASSIS WIRING										70 12H A 9 BK U. P. C. GMP PAGE					
	F.M.V.S.S. REFERENCE										UPC DESCRIPTION					

# PROJECT DESCRIPTION MANUAL

## ASSEMBLY INFORMATION

ITEM	PART NUMBER	QUANTITY	DESCRIPTION	ENGINE CODES	SE-PRO-1	ITEM DESCRIPTION	QTY	UNIT	DATE	BY	REVISION
0970AA	WIRE LUMP GROUND	1	11200265			GXW	0704	11			
0971AA	WIRE LUMP GROUND	1	11200266			GXW	0704	11			
0972AA	SCREW	1	9428744				0704	11			
0973AA	WASHER	1	138474				0704	11			
0974AA	VOLTRK WIRE ASM	1	11200263			L04	0704	11			
0975AA	VOLTRK WIRE NUT	2	134530			L04	0704	11			
0976AA	GEN GRD CABLE ASM	1	112002631			L04	0752	64			
0977AA	GEN LIDGE CABLE ASM	1	112002633			L04	0752	63			
0978AA	GEN CBL STRAP ASM	1	0477474			L04	0752	64			
0979AA	SCREW GRD WR	1	9428746				0704	11			
0980AA	WASHER	1	138474				0704	11			
0981AA	STRAP SI B/HARN	2	076543				0782	40			
0982AA	STRAP SI B/HARN	2	076543			GXW	0704	11			
0983AA	CONN A/C FEED	1	2965972				0782	39			
0984AA	CONN A/C FEED	1	2965972			GXW	0704	11			
0985AA	CONN A/C FEED	1	2977253				0782	39			
0986AA	CONN A/C FEED	1	2977253			GXW	0704	11			
0987AA	CONN A/C FEED	1	8905672			GXW	0782	39			
0970AA	WIRE PRESS SW	1	8913819				0782	42			
0980AA	CLIP WIRE	1	2201062				0752	62			
0990AA	WASHER	1	138538				0752	11			
1010AA	RELAY LVL CONT	2	1115851				0784	66			
1020AA	SCREW RELAY	4	9416043				0784	66			
1030AA	HARN LVL CONT	1	112006500			-GXW	0782	43			

<p>2E06X00</p> <p>MODEL APPLICATION          FUSES, BULBS &amp; CHASSIS WIRING</p> <p>UPC DESCRIPTION</p>	<p>MODEL YEAR 1978</p> <p>ORIGIN DATE 770801</p> <p>LAST CHG DATE 771010</p> <p>LAST CHG CODE 11PRL</p> <p>70 12H A 10</p> <p>BR U P C GPP PAGE</p>
---	---

ITEM	PART OR TOOL DESCRIPTION	ADD'L DATA	QTY	PART NUMBER	A/O/D	ENGINE CODES	SERIES	BOY B/W	DEPARTMENTS		CHANGE		LOGIC CODE	FUNCTION CODE	ADDITL. CODE	A	LINE NOS
									#1	2/STA	GD	AUTH					
040AA	SWITCH LVL CONT		2	2007701					0782	43			0000430125				9.17
050AA	SWITCH LVL CONT		1	2007702					0782	43			0000430130				9.19
060AA	HARN ASM		1	8910949				IPA	0782	40			3672400110				9.21
070AA	CLIP HARN		4	9798933				IPA	0754	87	038573		3672870130				9.23
080AA	GROMMET		1	2411483				IPA	0782	40							9.25
090AA	WIRE ASM		1	12000946				U26	0782	45			3656450205				9.27
100AA	CLIP		1	120521				U26	0782	45			3656450210				9.27
110AA	HARN I/P LVL		1	12002618				GXM	0704	12			1387120100				9.31
120AA	BLOCK R/C GND		1	3905283				81GXM	0754	90			1387900135				9.33

ZE06X00

MODEL YEAR 1978  
 ORIGIN DATE 770801  
 LAST CHG. DATE  
 LAST CHG. CODE

MODEL APPLICATION  
 FUSES, BULBS & CHASSIS WIRING  
 UPC DESCRIPTION

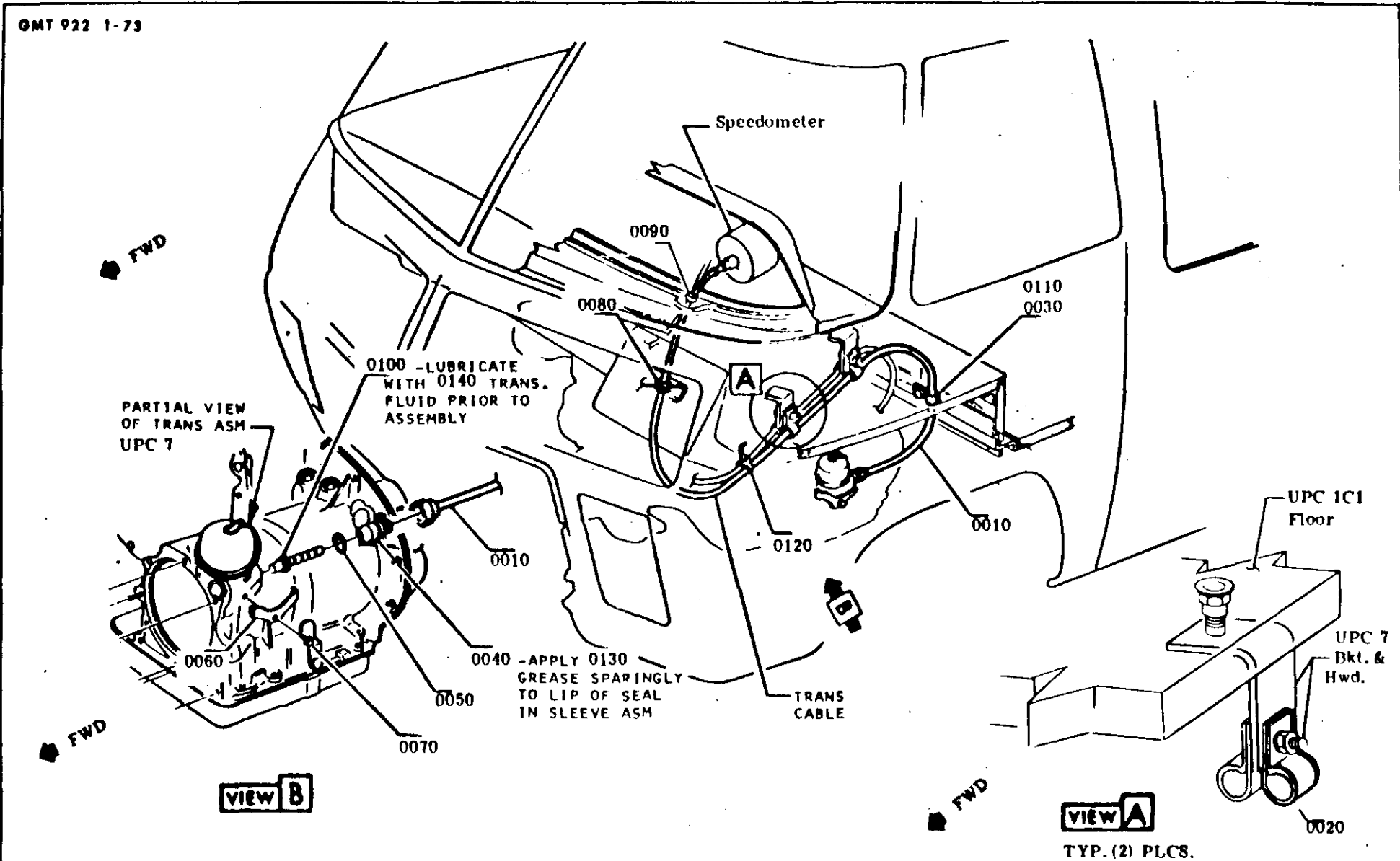
70 12M A 11  
 BK V. P. C. 92P PAGES

REFERENCE

F M V S S

□ ITEM REFERENCE    ◇ PROCESS MATERIAL    △ TORQUE    ▣ PART OF OR EXISTING

GMT 922 1-73



BY	DATE	SYM	REVISION	AUTH	DR	CR	DEPARTMENTS	TRUCK	BOOK
DYB/MPK (Installation) - LBS	2/77		ORIGINAL RELEASE	47800	SPR		V. CALVIN	78	70
NAME	INST. CARE	DIVISION	TITLE						
	PANEL & INSTRUMENTS	12J	SPEEDOMETER CABLE						
			SHEET						
			1						







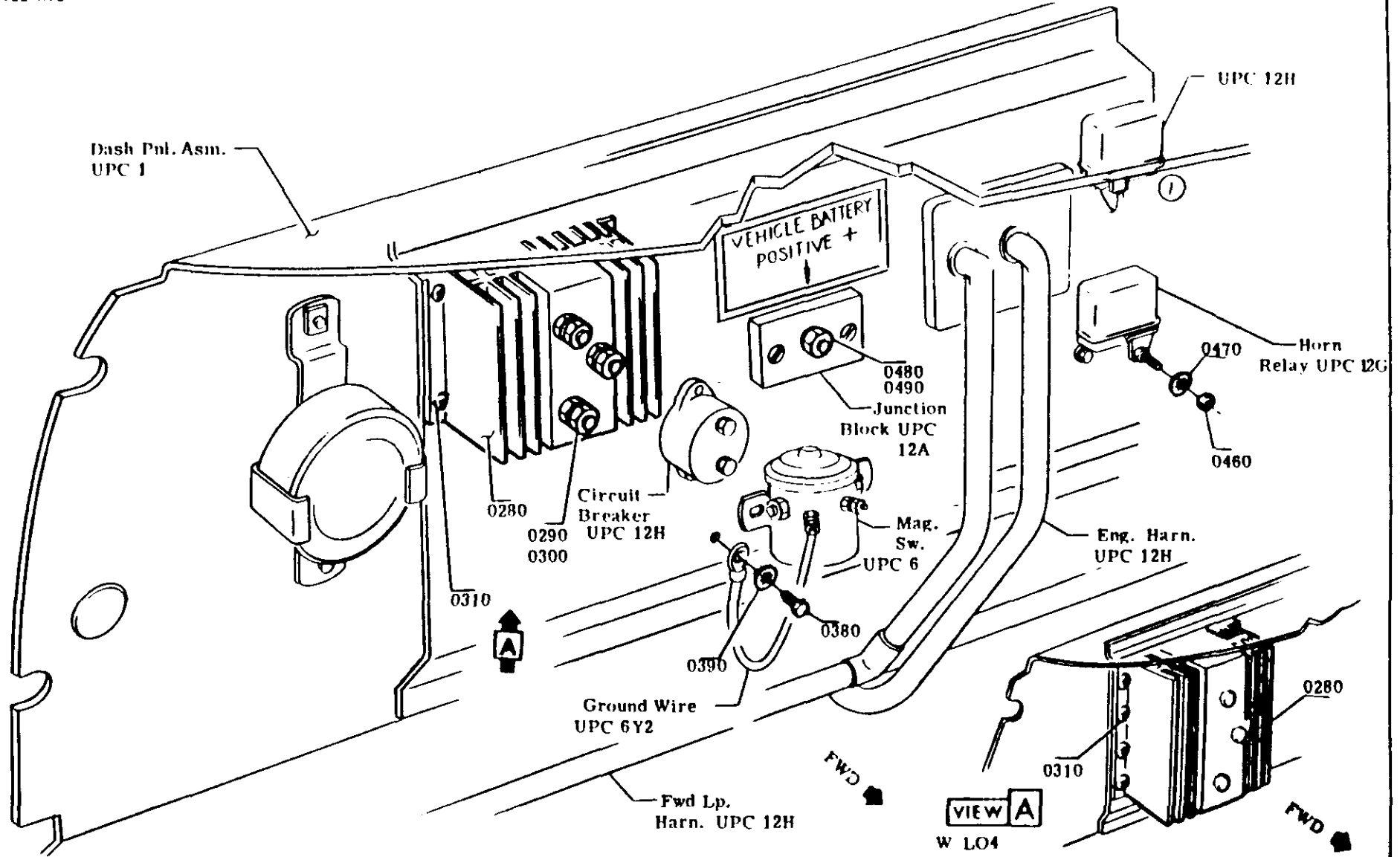






GMT 922 1/75

Dash Pnl. Asm.  
 UPC 1

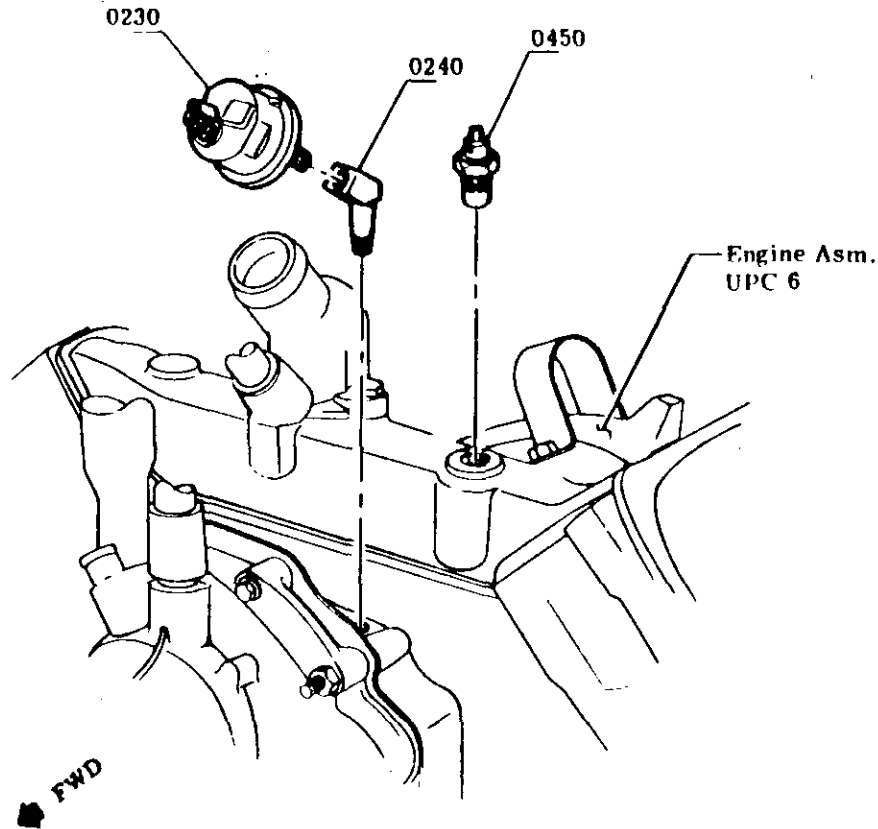


BY (Part) - IBS	DATE	SYM	REVISION	AUTH	DR	CR	DEPARTMENTS	BOOK
BY (Part) - IBS	4-25-77	1	ORIGINAL RELEASE	42101	GS		SHAFTER	78 TRUCK BOOK 70
			RMVD ITEMS 0360 & 0370	53491	GS			TITLE
								HEATER RELAY & DIODE
								INST. CARR. DIVISION/UPC SHEET
								PANEL & INSTRUMENTS 12J 7



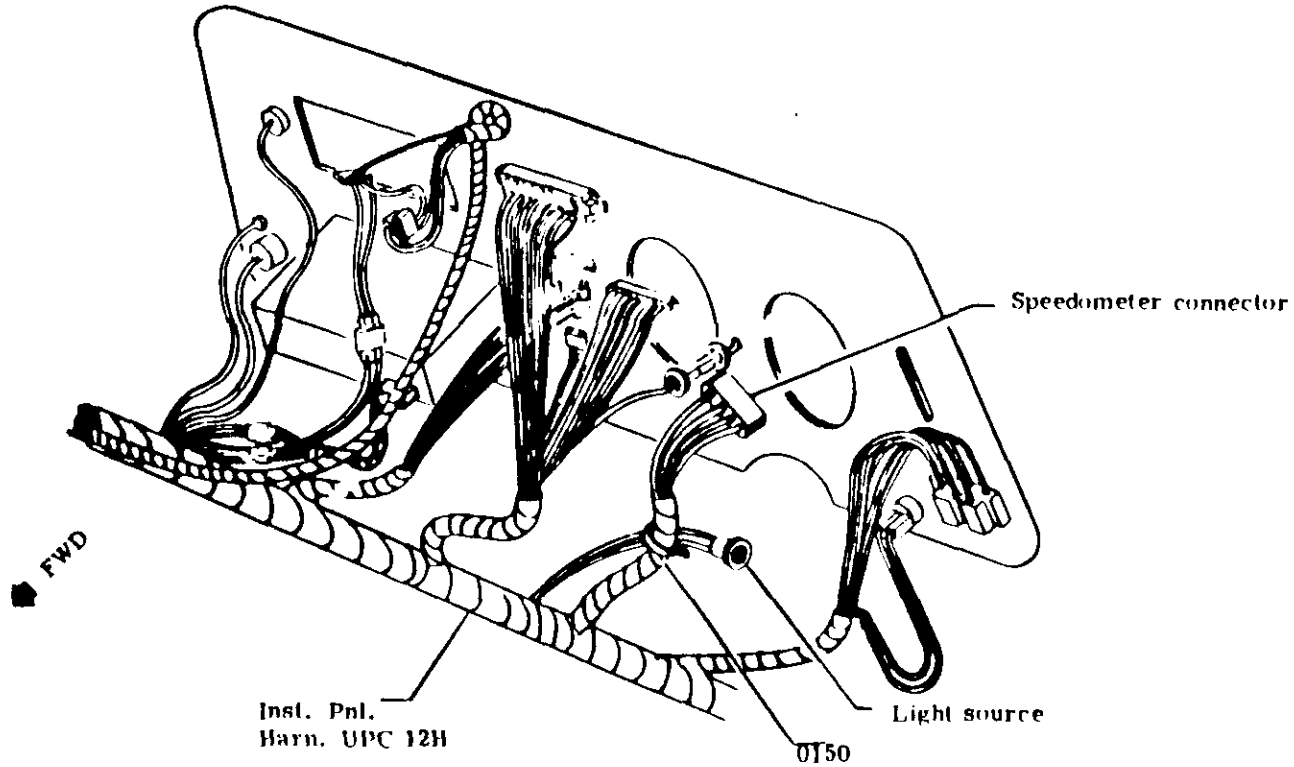


GMT 922 1-73



BY DRAWN (Inspection) - LBS	DATE	SYN	REVISION	AUTH	OR	CR	DEPARTMENTS	TRUCK	BOOK
<input type="checkbox"/> <input type="checkbox"/> <input type="checkbox"/> <input type="checkbox"/> <input type="checkbox"/>	6/24/77		ORIGINAL RELEASE	49810	57			78	70
								TITLE	
								OIL PRESSURE & WATER TEMP. ASM.	
								NAME	
								INSTRUMENTS	
								NUMBER	
								12J	
								SHEET	
								9	

GMT 922 I 75



BY (Installation) - (U)	CHKD (Inspection) - (U)	DATE	SYM	DIVISION	AUTH	DR	CR	DEPARTMENTS	'78 TRUCK	BOOK 70
△		6/11/77		ORIGINAL RELEASE	4220	5/2/77			TITLE	
△									INSTRUMENT CLUSTER WIRING	
△									NAME INST CARR	DIVISION/UPC
△									PANEL &	12J
△									INSTRUMENTS	SHEET 10





ITE.	PART OR TOOL DESCRIPTION	ADD'L DATA	QTY	PART NUMBER	ENGINE CODES	SERIES	REV. OR SPM	ITEM RESTRICTION	DEPARTMENTS		CHANGE		LOGIC CODE	FUNCTION CODE	ADDITIO CODES	NA	LINE NOS
									#1	2/STA	CD	AUTH					
AA01014	CRUISE CONT			L3927				K30	0782								1.8
AA02014	INSTR CSTR & PNL			L7869					0782								1.10
AA03014	SPEEDO			L3548					0782								1.12
AA04014	ENG & CHAS WRG			L8752				P1STD/K30	0782								1.14
AA04024	IN STL								0782								1.15
AA05014	ENG & CHAS WRG			L8752				R4STD/K30	0782								1.17
AA05024	IN STL								0782								1.18
AA06014	ENG & CHAS WRG			L8680				R3STD/K30	0782								1.20
AA06024	IN STL								0782								1.21
AA07014	HTR WRG HARN			L6923					0782								1.23
AA07024	IN STL								0782								1.24
AA08014	SHFT INO CBL ASM			L3978					0782								1.26
AA08024	INSTR								0782								1.27
AA09014	I/P WRG HARN			L6922				STD/K30	0782								1.29
AA10014	INSTR CSTR WRG			L6924					0782								1.31
AA10024	HARN								0782								1.32
AA11014	RR SI BODY HARN			MD14650					0782								1.34
AA12014	ENG & CHAS WRG			L9196				R3L04	0782								1.36
AA13014	ENG & CHAS WRG			L9233				R1L04	0782								1.38
AA14014	CRUISE CONT			L3927				K30	0752								1.40
AA15014	INSTR CSTR & PNL			L7869				STD/L04	0752								1.42
AA16014	SPEEDO			L3548					0752								1.44
AA17014	ENG & CHAS WRG			L8752				P1STD/K30	0752								1.46
AA17024	IN STL								0752								1.47
AA18014	ENG & CHAS WRG			L9752				R4STD/K30	0752								1.49
AA18024	IN STL								0752								1.50
AA19014	ENG & CHAS WRG			L8680				R3STD/K30	0752								1.52
AA19024	IN STL								0752								1.53
AA20014	HTR WRG HARN			L6923					0752								1.55
AA20024	IN STL								0752								1.56

1 2 3 4 5 6 7 8 9 10 11 12 13 14 15 16 17 18 19 20 21 22 23 24 25 26 27 28 29 30 31 32 33 34 35 36 37 38 39 40 41 42 43 44 45 46 47 48 49 50 51 52 53 54 55 56 57 58 59 60 61 62 63 64 65 66 67 68 69 70 71 72 73 74 75 76 77 78 79 80 81 82 83 84 85 86 87 88 89 90 91 92 93 94 95 96 97 98 99 100	ZEO5000										MODEL YEAR 1978 ORIGIN DATE 770803 LAST CHG. DATE LAST CHG. CODE					
	MODEL APPLICATION										70 12J A 1					
	INST CARRIER PANEL AND INSTRUMENTS										BR. U. P. C. GRP PAGE					
	UPC DESCRIPTION															



# PRODUCT DESCRIPTION MANUAL

GMT 1001 REV. 8/75

GM TRUCK & CONVO

## ASSEMBLY INFORMATION

ITEM	QTY	PART OR TOOL DESCRIPTION	ADD'L DATA	QTY	PART NUMBER	ENGINE CODES	SERIES	BOY	ITEM RESTRICTION	DEPARTMENTS		CHANGE		LOGIC CODE	FUNCTION CODE	ADDITIONAL CODES	FNA	LINE NOS
										#1	#2/5TA	CD	AUTH					
AA21014		SHFT IND CRL ASM			L3P76					0752								1.58
AA21024		INSTR								0752								1.59
AA22014		I/P WRG HARN			L6922				STD/K30	0752								2.2

	ZF05000	MODEL YEAR 1976 ORIGIN DATE 770803 LAST CHG DATE LAST CHG CODE
P.M.V.S.S.	MODEL APPLICATION <b>INST CARRIER PANEL AND INSTRUMENTS</b> UPC DESCRIPTION	70 12J A 2 BK U. P. G. GRP PAGE

REFERENCE

# PRODUCT DESCRIPTION MANUAL

## ASSEMBLY INFORMATION

GMT 1061 REV. 8/78

GM TRUCK & COACH

ITEM	QTY	PART OR TOOL DESCRIPTION	ADD'L DATA	PART NUMBER	ENGINE CODES	SERIES	BOY BRK	ITEM RESTRICTION	DEPARTMENTS		CHANGE AUTH	LOGIC CODE	FUNCTION CODE	ADDITIONAL CODES	LINE NOS
									#1	2/51A					
AA23012	1	INSTR CSTR WRG		L6924					0752						2.4
AA23024	1	HARN							0752						2.5
AA24012	1	RH SI BODY HARN		MD14650					0752						2.7
AA25014	1	ENG & CHAS WRG		L9196			83L04		0752						2.9
AA26012	1	ENG & CHAS WRG		L9233			81L04		0752						2.11
GG10AA	1	SHAFT ASM DR		699605					0782	43		0000430150			2.13 2.14
0020AA	2	CLIP SPEEDU DR		127879					0782	43		0000430155			2.16
0030AA	1	CLIP SPEEDU DR		127879					0782	43		0000430160			2.18
0040AA	1	SLEEVE ASM		404024					0752	62		0000620465			2.20
0050AA	1	SEAL		8622078					0752	62		0000620470			2.22
0060AA	1	RETAINER		8625094					0752	62		0000620475			2.24
0070AA	1	SC WASHER ASM		9409107					0752	62					2.26
0080AA	1	GROMMET		2411483					0782	43					2.28
0090AA	1	GROMMET		716612					0782	43					2.30
G100AA	1	GEAR SPEEDU DR		403417					0752	62		0000620480			2.32
0110AA	1	SCREW		9422232					0782	43					2.34
0120AA	1	STRAP ASM		8877978					0754	87		0000870135			2.36
0130AA	1	GREASE SPEEDU SP		9985038					0782	43					2.38
0140AA	1	LUB TRANS FLUID		9985252					0752	62					2.40
G150AA	1	STRAP ASM		676543					0782	43		0000430135			2.42
G160AA	1	CABLE ASM		6499811					0782	43		0000430140			2.44
0170AA	1	SCREW		9425903					0782	45					2.46

1 2 3 4 5 6 7 8 9 10 11 12 13 14 15 16 17 18 19 20 21 22 23 24 25 26 27 28 29 30 31 32 33 34 35 36 37 38 39 40 41 42 43 44 45 46 47 48 49 50 51 52 53 54 55 56 57 58 59 60 61 62 63 64 65 66 67 68 69 70 71 72 73 74 75 76 77 78 79 80 81 82 83 84 85 86 87 88 89 90 91 92 93 94 95 96 97 98 99 100		ZE05000  MODEL APPLICATION <b>INST CARRIER PANEL AND INSTRUMENTS</b> UPC DESCRIPTION	MODEL YEAR 1978 ORIGIN DATE 770803 LAST CHG. DATE 770929 LAST CHG. CODE 70 12J A 3 BK U. P. C. GMP PAGE
--	--	--	--

REFERENCE

P. M. V. S. S.



# PRODUCT DESCRIPTION MANUAL

GMY 1081 REV. 5/78

GMC TRUCK &amp; COACH

## ASSEMBLY INFORMATION

ITEM	PART OR TOOL DESCRIPTION	ADD'L DATA	QTY	PART NUMBER	ENGINE CODES	SERIES	REV	ITEM RESTRICTION	DEPARTMENTS		CHANGE		LOGIC CODE	FUNCTION CODE	ADDITIONAL CODES	PNA	LINE NOS
									#1	#2	CD	AUTH					
0480AA	NUT		1	120376					0782	37							3.38
0490AA	WA LK		1	138538					0782	37							3.39
0500AA	NUT		1	120614					0752	77		0000	450230				3.42
0510AA	WASHER		1	121801					0752	77							3.44
0520AA	PLATE I/P LIGHTS		1	697208					0782	45		0000	450215				3.46
0530AA	PLATE I/P WSWA		1	697225					0782	45		0000	450220				3.48
0540AA	PLATE BAT BOOST		1	699633					0782	45		0000	450225				3.50
0550AA	PLATE BAT NORM		1	699634					0782	45		0000	450230				3.52
0560AA	PLATE FUEL MAIN		1	699635					0782	45		0000	450235				3.54
0570AA	RETAINER		4	695895					0782	45		0000	450240				3.56
0580AA	PLATE FUEL AUX		1	699636					0782	45		0000	450245				3.58
0590AA	YELL TALE ASM		1	8989860					0782	44		0000	440215				4.1
0600AA	RIBBON ASM		1	8910897					0782	45		0000	450250				4.3
0610AA	SCREW		2	9414711					0782	44							4.5
0700AA	CBL ASM TRANSOCR		1	793191			K30		0754	88		3647	880090				4.7
0710AA	CLIP CABLE		2	127879			K30		0782	50		3647	500080				4.9
0720AA	BOLT		1	9419006			K30		0782	50							4.11
0720AB	95:120 IN LBS								0782	50							4.12
0730AA	WA LK		1	103319			K30		0782	50							4.14
0740AA	NUT CLIP BOLT		1	693207			K30		0702	7							4.16
0800AA	VOLTMETER ASM		1	6473717			L04		0782	46		3647	460110				4.18
0810AA	NUT MTG SCR		2	120614			L04		0782	46							4.20

1 2 3 4 5 F.M.V.S.S.	REFERENCE	7E05000	MODEL YEAR 1978
			ORIGIN DATE 770803
			LAST CHG. DATE
			LAST CHG. CODE
		INST CARRIER PANEL AND INSTRUMENTS	70 12J A 5
		UPC DESCRIPTION	PR. V. P. C. SW

DMT 1001 REV 6/75

ENGINE NUMBER

ASSEMBLY INFORMATION

PART OR TOOL DESCRIPTION		ADD'L DATA	QTY	PART NUMBER	ENGINE	THICK	FLOW	ITEM INFORMATION	QTY	QTY	QTY	QTY	QTY	QTY	QTY	QTY
	MUT		1	9431389					0782	44						
	SWITCH ASM FUEL		1	700994					0782	44						
	SCREW		2	9416090					0782	44						
	SPEEDOMETER ASM		1	8989366					0782	44						
	UNIT ASM		1	6402137					0782	44						
	ELBOW		1	401554					0782	44						
	SCREW		2	9428613					0782	44						
	GROMMET		1	715214			-K30		0782	44						
	CLIP		1	2423777					0782	44						
	TIPODE ASM		1	706751			-L04		0782	44						
	TIPODE ASM		1	2024077			L04		0782	44						
	MUT		8	142247					0782	44						
	WA LK		8	120423					0782	44						
	SCREW		4	9437760					0782	44	61390					
	SWITCH ASM BATT		1	700994					0782	44						
	SWITCH ASM BATT		1	790319					0782	44						
	SCREW		2	9416090					0782	44						
	SCREW		2	9416090					0782	44						
	SWITCH ASM ELECT		1	702795					0782	44						
	WASHER		1	121753					0782	24						
	GAGE ASM		1	8989907					0782	44						
	SCREW		4	9437760					0782	44	61390					
	UNIT ASM		1	6402383					0782	44						
	MUT		1	134531					0782	37						
	WA LK		1	120423					0782	34						

2E05000

MODEL APPLICATION  
INST CARRIER PANEL AND INSTRUMENTS

UPC DESCRIPTION

MODEL YEAR 19 78  
ORIGIN DATE 770803  
LAST CHG DATE 771008  
LAST CHG CODE 61390

70 12J A 4

BK U. P. C. GRP PAGE













F	M	P	V	W	PART OR TOOL DESCRIPTION	ADD'L DATA	QTY	PART NUMBER	ENGINE CODES	SERIES	REV OR	ITEM RESTRICTION	DEPARTMENTS		CHANGE		LOGIC CODE	FUNCTION CODE	ADDL COL	FNA	LINE NO	
													#1	2:STA	CO	AUTH						
4	AAC	024			IDENT & CLEAR LP INSTL			L4139					0782									1.8
													0782									1.9
14	AA0	014			HOLP TURN SIG & SI MKR INSTL			L4218					0782									1.1
													0782									1.1
14	AA0	014			RR 5/LP SI MKR & LIC PLY INSTL			L4301					0782									1.14
													0782									1.14
14	AA0	014			FRY RE WRG HARN CRILL			MO10421					0782									1.1
													0782									1.18
14	AA0	014			HOLP DJR SIG & SI MKR INSTL			L4272					0782									1.20
													0782									1.21
14	AA0	014			FWD LP WRG HARN INSTL			L6628			81		0782									1.23
													0782									1.24
14	AA0	014			FWD LP WRG HARN INSTL			L4315			83		0782									1.26
													0782									1.27
001	001	000	AA		LAMP ASM		5	648281					0782	39			0000390150					1.3
002	002	000	AA		LAMP ASM		5	2496502					0782	39			0000390150					1.35
003	003	000	AA		SCREW		20	9421978					0782	39								1.3
004	004	000	AA		NUT		20	701165					0782	39								1.35
005	005	000	AA		LAMP ASM FRI		2	695499					0782	38			0000380165					1.4
006	006	000	AA		SCREW		4	9420511					0782	38								1.45
007	007	000	AA		ADHESIVE			9981098					0782	38								1.45

1	7E06X00												MODEL YEAR IS 78									
2													ORIGIN DATE 77C802									
3													LAST CHG. DATE									
4													LAST CHG. CODE									
5													70 12K A 1									
F.M.V.S.S.	REFERENCE												BK V. P. C. GRP PAGE									

# PRODUCT DESCRIPTION MANUAL

## ASSEMBLY INFORMATION

GMT 1001 REV. 5/78

GENE TRUCK & CONCRETE

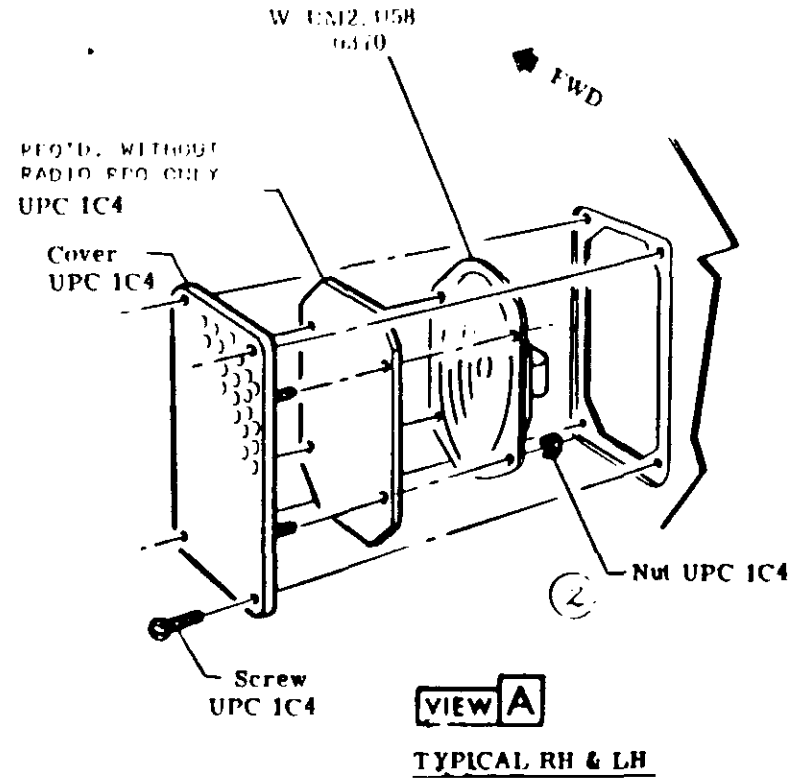
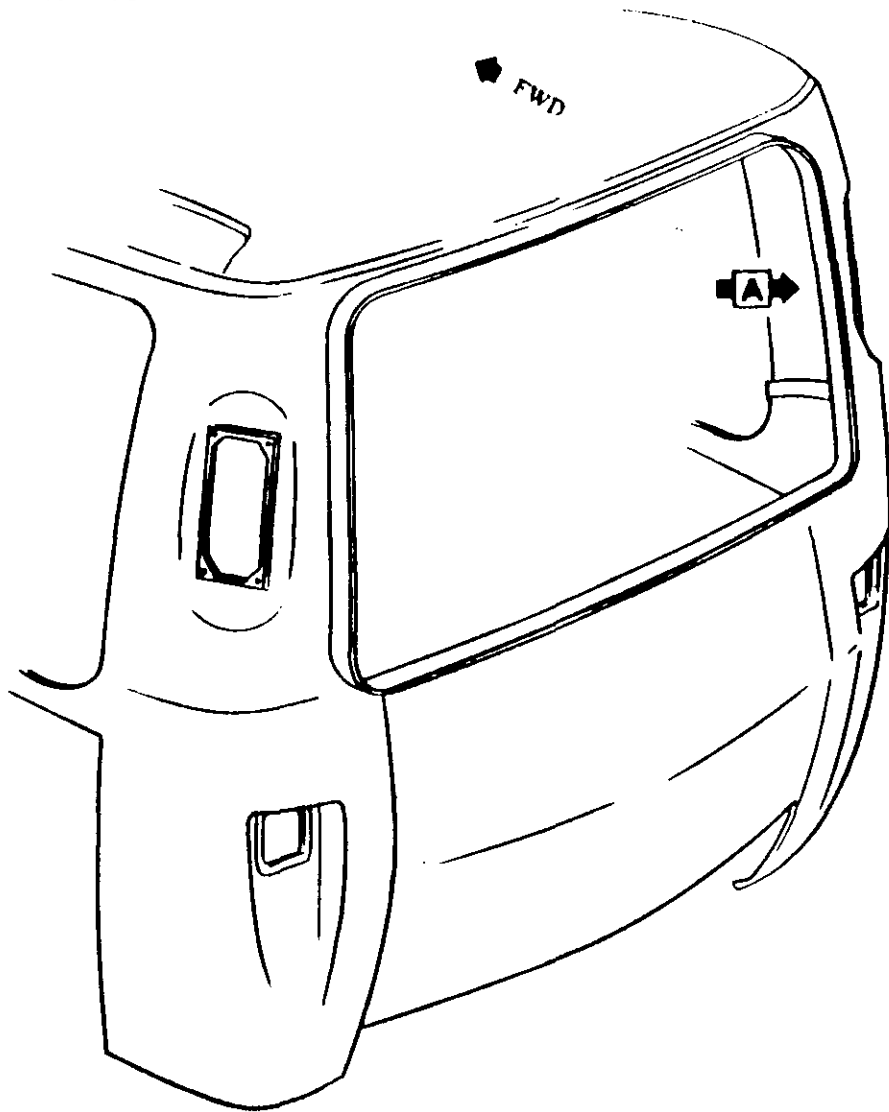
PART OR TOOL DESCRIPTION	ADD'L DATA	QTY	PART NUMBER	ENGINE CODES	SERIES	REV	ITEM RESTRICTION	DEPARTMENTS		CHANGE		LOGIC CODE	FUNCTION CODE	ADDITIONAL CODES	PMA	LINE NOS
								1	2/STA	CD	AUTH					
GROMMET # DA		1	9798363					0782	28							1.4
G090AA GROMMET # DA		1	790945			B1		0782	38							1.4
0090AA GROMMET # DA		1	9798363			B3		0782	38							1.50
0100AA LAMP ASM		2	695498					0782	38			00003M1170				1.5
0110AA SCREW		4	9420511					0762	38							1.54

P.M.V.S.S.	REFERENCE	7E66X00	MODEL YEAR 1978
			ORIGIN DATE 77C802
			LAST CHG DATE
			LAST CHG CODE
		MODEL APPLICATION MARKER LAMPS	TO 12K A 2
		UPC DESCRIPTION	BR. U. P. C. QNT. PAGE





GMI 22 1-73



SYMBOL (Instruction) - LBS	PLANT (Instruction) - LBS	DATE	SYM	REVISION	AUTH	DR	FR	DEPARTMENTS
▲ ▲ ▲ ▲		2-76-77		ORIGINAL RELEASE				
		5-25-77	1	ITEMS 0070, 0080, 0100 REM'D				
		10-17-77	2	ITEM 0130 REMOVED				

<b>'78 TRUCK</b>		<b>BOOK 70</b>	
TITLE <b>REAR SPEAKER</b>			
NAME <b>ELECT. CONV. ITEMS</b>	DIVISION <b>12L</b>	SHEET <b>3</b>	



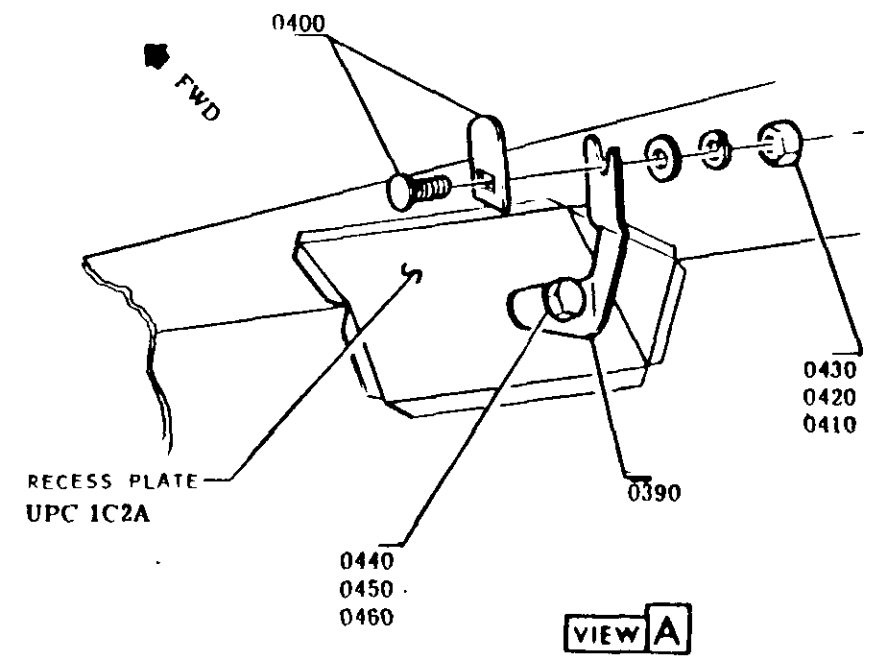
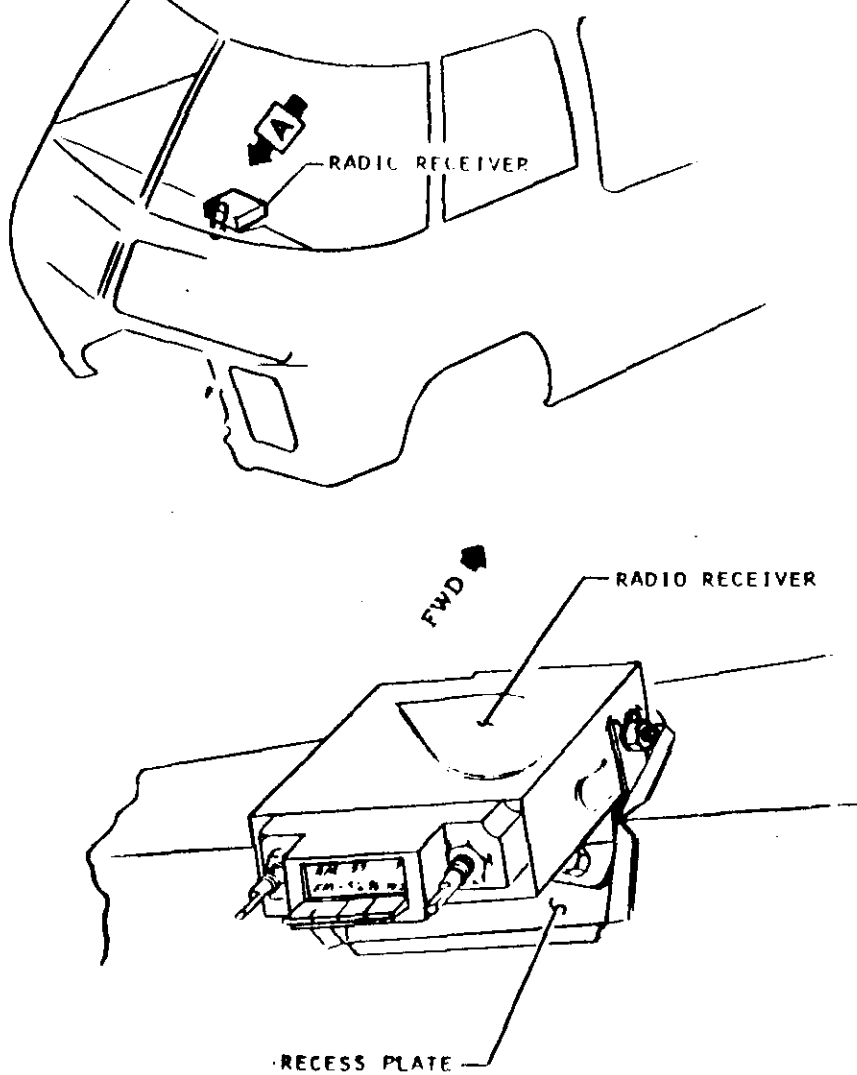






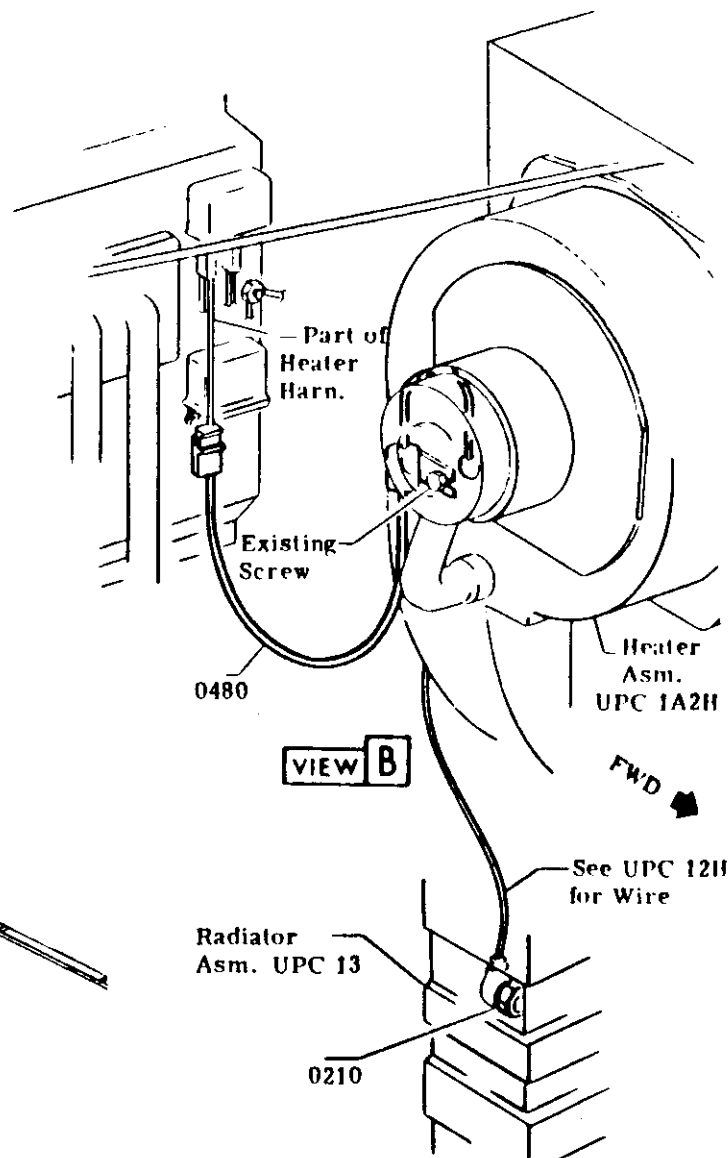
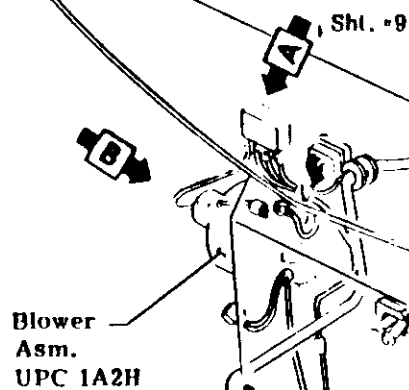
□ ITEM REFERENCE    ◇ PROCESS MATERIAL    △ TORQUE    ▣ PART ON OR EXISTING

GMT 922 1/75



DYNAMIC (Installation) - LPS	RAID (Inspection) - LPS	DATE	SYM	REVISION	AUTH	DR	CR	DEPARTMENTS	978 TRUCK	BOOK 70
△		2/17		ORIGINAL RELEASE	4/20/00	4/20/00				
△										
△										
△										
									TITLE	
									RADIO SUPPORT BRACKET	
									W UM2, U58	
									NAME	
									ELECT. CONV. ITEMS	
									DIVISION/UPC	12L
									SHEET	7

GMT 922 1/75



BY (Installation) - LBS	DATE	SYM	REVISION	AUTH	DR	CR	DEPARTMENTS	TRUCK	BOOK
△ △ △ △	6/17		ORIGINAL RELEASE	47000	AS		Edwards	78	70

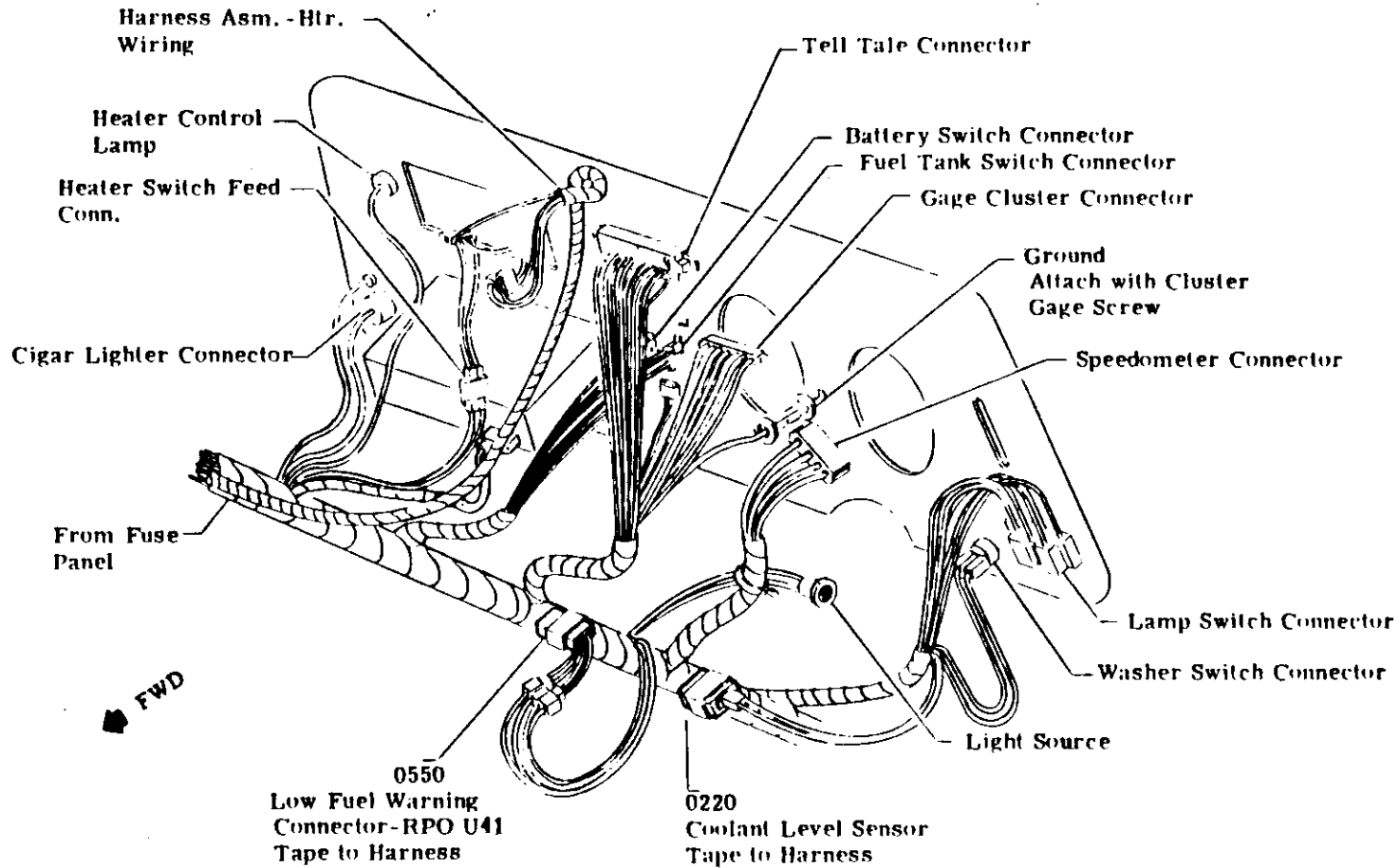
TITLE		ELECT. DIVISION/UPC		SHEET	
CAPACITOR ASM. W UM2. U58 PROBE ASM.		12L		8	
NAME ELECT. CONV. ITEMS					





□ ITEM REFERENCE    ◇ PROCESS MATERIAL    △ TORQUE    ▣ PART OF OR EXISTING

GMT 922 1/75



SYMBOL (Installation) - 185	MARK (Inspection) - 185	DATE	SYM	REVISION	AUTH	DR	CR	DEPARTMENTS	78 TRUCK	BOOK 70
△ △ △ △		4/6/75		ORIGINAL RELEASE	HICK	SR	SR	Sherman	TITLE	COOLANT LEVEL SENSOR, LOW FUEL SWITCH
									NAME ELECT. CONV. ITEMS	DIVISION/UPC 12L
									SHEET	10



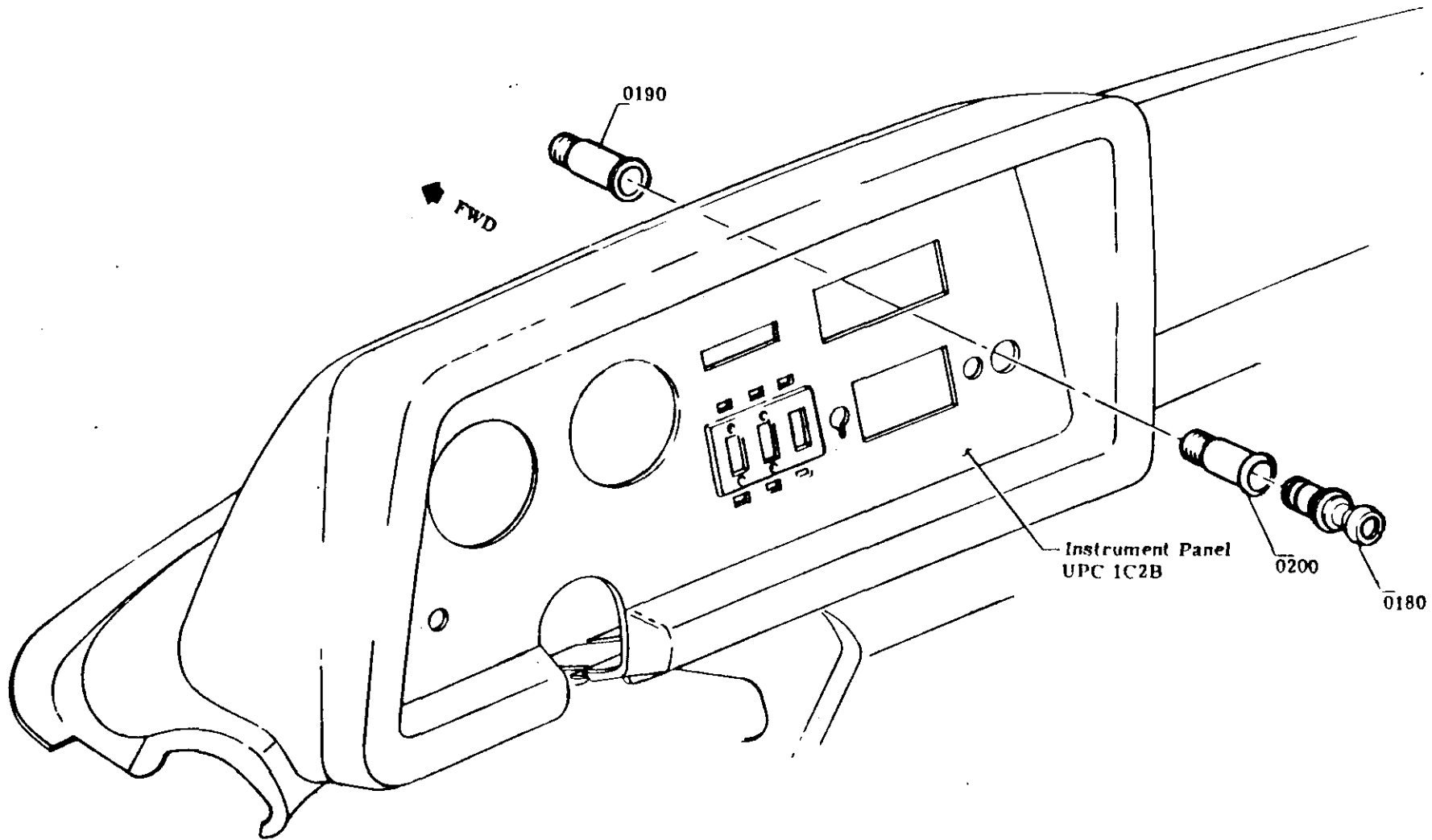






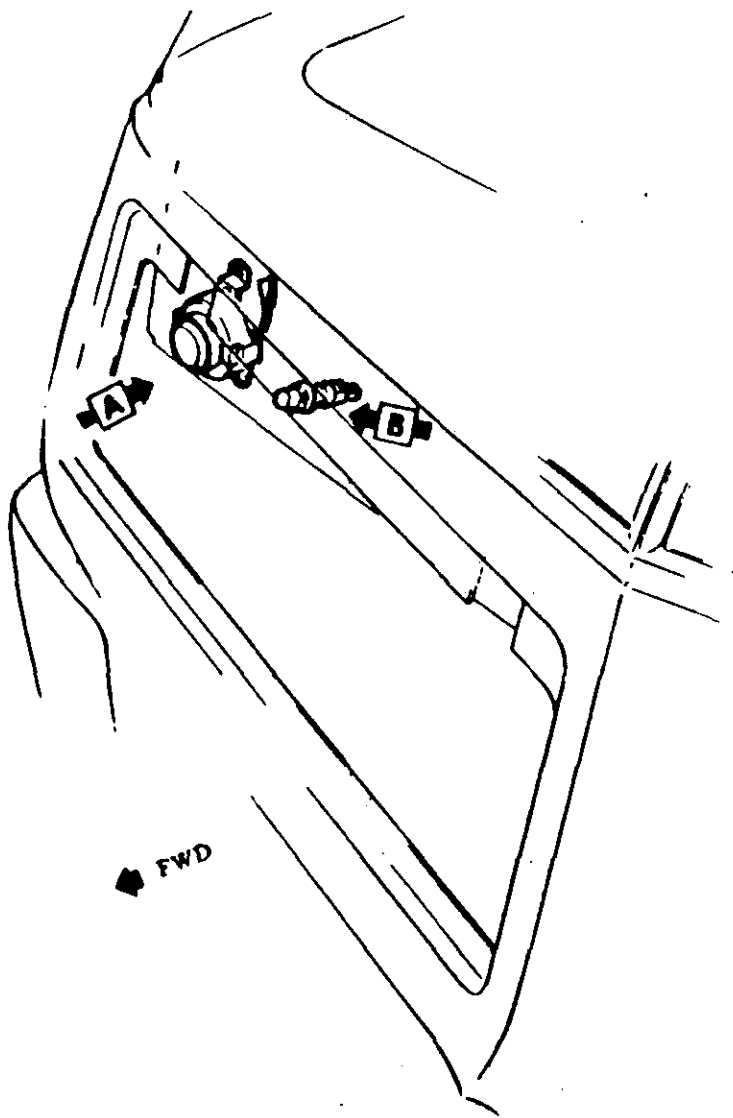


GMT 922 1-73

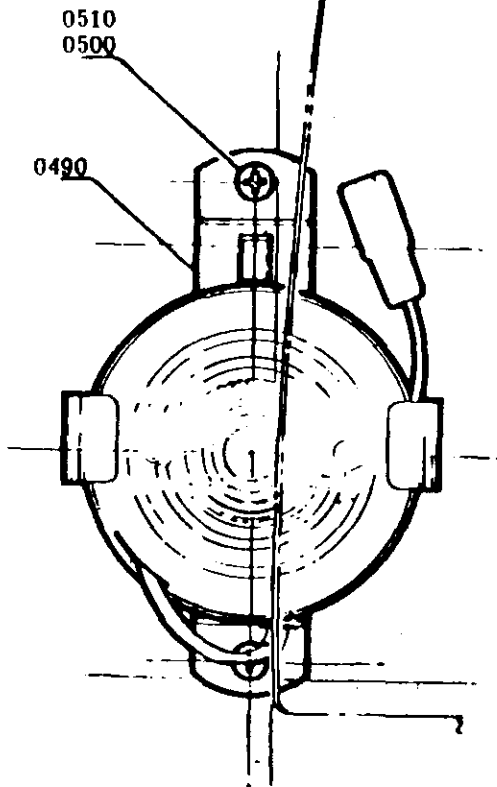


BY/DATE (Installation) - LPS	BY/DATE (Inspection) - LPS	DATE	SYM	REVISION	AUTH	DE	CK	DEPARTMENTS	TITLE	BOOK
		6-7-73		ORIGINAL RELEASE	47700			R. Thompson	'73 TRUCK	BOOK 70
									CIGAR LIGHTER	
									ELECT. CONV. ITEMS	
									12	14

GMT 922 1-73

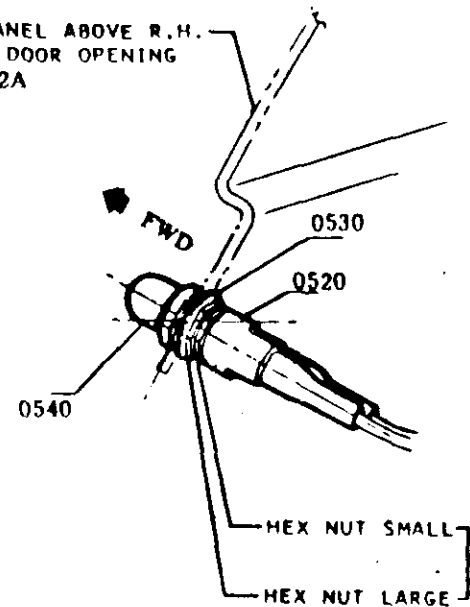


BODY PANEL ABOVE R.H.  
ACCESS DOOR OPENING  
UPC 1C2A



**VIEW A**

FRONT VIEW



PART OF SWITCH ASM.  
RUN FIRMLY TO SHOULDER  
IN SEQUENCE SHOWN

**VIEW B**

DYNAMIC (Installation) - LBS	HAZARD (Inspection) - LBS	DATE	SYM	REVISION	AUTH	DR	CR	DEPARTMENTS
△		2/73		ORIGINAL RELEASE				Stampen
△								
△								
△								
△								

<b>70 TRUCK</b>		<b>BOOK 70</b>	
TITLE ENGINE COMPARTMENT LAMP RPO U26			
QUANTITY ELECT. CONV. ITEMS	ISSUES <b>12L</b>	SHEETS <b>15</b>	

# PRODUCT DESCRIPTION MANUAL

## ASSEMBLY INFORMATION

QMT 1081 REV. 8/78

CUMMINS TRUCK & CONCRETE

ITEM	QTY	PART OR TOOL DESCRIPTION	ADD'L DATA	QTY	PART NUMBER	ENGINE CODES	SERIES	REV	ITEM RESTRICTION	DEPARTMENTS		CHANGE		LOGIC CODE	FUNCTION CODE	ADDITIONAL CODES	FNA	LINE NOS
										#1	2/STA	CD	AUTH					
AA01014		ENG & CHAS WRG		*	L8752					0782								1.8
AA01024		ENG & CHAS WRG		*	L7866					0782								1.9
AA01034		ENG & CHAS WRG		*	L8680					0782								1.10
AA01044		ENG & CHAS WRG		*	L7867					0782								1.11
AA02014		RR SPKR INSTAL		*	L4251				UM2/U58	0782								1.13
AA03014		PORCH LP AUX		*	MD10094					0782								1.15
AA03024		DRILL								0782								1.16
AA04014		SPKR & DM LP		*	L3993				UM2/U58	0782								1.18
AA06014		RH SI BODY HARN		*	MD14650					0782								1.20
AA06014		FRY RF WRG HARN		*	MD10421					0782								1.22
AA07014		INSTR CSTR		*	L7869				UM2/U41/U58	0782								1.24
AA08014		HTR HOSE & A/C		*	L8449					0782								1.26
AA08024		INST								0782								1.27
AA09014		FWD LP HARN INST		*	L6925				UM2/U26/U58	0782								1.29
AA10014		HTR WRG HARN		*	L6923				UM2/U58	0782								1.31
AA10024		INST								0782								1.32
AA11014		INSTR CSTR WRG		*	L6924				UM2/U41/U58	0782								1.35
AA11024		INSTL								0782								1.35
AA12014		LVL VLV CONT PNL		*	L8356					0782								1.37
AA12024		INST								0782								1.38
AA12034		INST		*	L8456					0782								1.39
AA13014		ROD INSTAL		*	L8421				UM2/U58	0782								1.41
AA14014		ROD & ANT SYS		*	MD15463				UM2/U58	0782								1.43
AA14024		INSP PROC INSTR								0782								1.44
AA15014		I/P HARN INSTAL		*	L6922				U41	0782								1.46
AA16014		C78 ANT INSTL &		*	L8934				U84	0782								1.48
AA16024		DRILL								0782								1.49
AA17014		RR SPKR INST		*	L9448				UM2/U58	0782								1.51
AA18014		FRY RF HARN DRILL		*	MD16080				UM2/U58	0782								1.53
AA19014		ENG COMP LP		*	MD10709				U26	0782								1.55
AA19024		DRILL INSTL								0782								1.56

	ZEO 5000	MODEL YEAR 1978 ORIGIN DATE 770803 LAST CHG. DATE LAST CHG. CODE
MODEL APPLICATION ELECTRICAL CONVENIENCE ITEMS UPC DESCRIPTION		70 12L A 1 PK U. P. C. QTY PAGE

ITEM	PART OR TOOL DESCRIPTION	ADD'L DATA	QTY	PART NUMBER	ENGINE CODES	SERIES	BODY BDR	ITEM RESTRICTION	DEPARTMENTS		CHANGE CD	AUTH	LOGIC CODE	FUNCTION CODE	ADDITG CODES	FNA	LINE NOS
									#1	2/STA							
AA20014	HTR HOSE & A/C			L7854					0782								1.58
AA20024	INST								0782								1.59
AA21014	ENG & CHAS WRG			L8754					0704								2.2
AA21024	ENG & CHAS WRG			L7866					0704								2.3
AA21034	ENG & CHAS WRG			L8680					0704								2.4
AA21044	ENG & CHAS WRG			L7861					0704								2.5
AA22014	RR SPKR INSTAL			L4251				UM2/U58	0704								2.7
AA23014	PORCH LP AUX			MD10094					0704								2.9
AA23024	DRILL								0704								2.10
AA24014	SPKR & OH LP			L3993				UM2/U58	0704								2.12
AA25014	RH SI BODY HARN			MD14650					0704								2.14
AA26014	FRY RF WRG HARN			MD10421					0704								2.16
AA28014	HTR HOSE & A/C			L8444					0704								2.18
AA28024	INST								0704								2.19
AA29014	FWD LP HARN INST			L6923				UM2/U26/U58	0704								2.21
AA30014	HTR WRG HARN			L6923				UM2/U58	0704								2.23
AA30024	INST								0704								2.24
AA31014	INSTR CSTR WRG			L6924				UM2/U41/U58	0704								2.26
AA31024	INSTR								0704								2.27
AA32014	LVL VLV CONT PNL			L8356					0704								2.29
AA32024	INST								0704								2.30
AA33014	LVL VLV CONT PNL			L8458					0704								2.32
AA33024	INST								0704								2.33
AA34014	ROD INSTAL			L8421				UM2/U58	0704								2.35
AA35014	ROD & ANT SYS			MD15463				UM2/U58	0704								2.37
AA35024	INSP PROC INSTR								0704								2.38
AA36014	I/P HARN INSTAL			L6922				U41	0704								2.40
AA37014	C/B ANT INSTL &			L8934				U84	0704								2.42
AA37024	DRILL								0704								2.43
AA38014	RR SPKR INST			L9448				UM2/U58	0704								2.45

ZFO 5000

MODEL YEAR 1978  
ORIGIN DATE 770803  
LAST CHG DATE  
LAST CHG CODE

MODEL APPLICATION  
ELECTRICAL CONVENIENCE ITEMS  
UPC DESCRIPTION

70 12L A 2  
PK U. P. C. SHP PAGE

ITEM	QTY	PART OR TOOL DESCRIPTION	ADD'L DATA	QTY	PART NUMBER	ENGINE CODES	SERIES	REV	ITEM RESTRICTION	DEPARTMENTS #1	2/STA	CHANGE CD	AUTH	LOGIC CODE	FUNCTION CODE	ADDITIONAL CODES	LINE NOS
AA39014	1	FRT RF HARNDRILL		1	MD16000				UM2/U58	0704							2.47
AA40014	1	ENG COMP LP		1	MD10709				U26	0704							2.49
AA40024	1	DRILL INSTL								0704							2.50
AA41014	1	HTR HOSE & A/C		1	L7854					0704							2.52
AA41024	1	INST								0704							2.53
AA27014	1	INSTR CSTR		1	L7869				UM2/U41/U58	0704							2.55
0010AA	2	LENS DM LP		2	220013679					0782	47		039100000	670005			2.57
0020AA	2	REFLECTOR DM LP		2	220030351					0782	47		039100000	470010			2.59
0030AA	8	SCREW		8	9417987					0782	47						3.2
0040AA	8	NUT		8	9431530					0782	47						3.4
0050AA	2	SWITCH DM LP		2	1386691					0782	47			0000470019			3.6
0060AA	2	PANEL SPKR		2	694050					0782	47			0000470020			3.8
0090AA	2	COVER SPKR HOLE		2	699019				UM2/U58	0782	47	CORR.	0459	470035			3.10
0090AB	1	COVER SPKR HOLE		1	699019				UM2/U58	0782	47	CORR.	0225	470035			3.11
0110AA	4	SCREW COVER		4	9414714					0782	47						3.13
0120AA	4	SCREW COVER		4	9417276					0782	47						3.15
0130AA	12	NUT		12	9419761					0782	47						3.17
0140AA	1	CONDUIT ASM		1	704520					0704	13			0000130080			3.19
0150AA	2	CLIP		2	409794					0704	13			0000130085			3.21
0160AA	1	SW ASM DOOR		1	9662504					0782	40			0000400115			3.23
0170AA	1	WA LK		1	138542					0704	12						3.25
0180AA	1	KNOB ASM		1	344803					0758	100			0000103030			3.27
0190AA	1	HOUSING ASM		1	3986869					0782	45			0000450255			3.29
0200AA	1	KEY ASM CIG LTR		1	3986870					0782	45			0000450260			3.31
0210AA	1	PROBE ASM		1	358375					0752	69			0000690120			3.33
0220AA	1	MODULE ASM		1	358135					0782	45			0000450265			3.35

1  
2  
3  
4  
5  
P.M.V.B.

REFERENCE

Z63000

MODEL APPLICATION  
ELECTRICAL CONVENIENCE ITEMS  
UPC DESCRIPTION

MODEL YEAR 1978  
ORIGIN DATE 770803  
LAST CHG. DATE 771003  
LAST CHG. CODE 03910

70 12L A 3  
BK. U. P. S. 878 PAGE



# PRODUCT DESCRIPTION MANUAL

## ASSEMBLY INFORMATION

OMT 1061 REV. 8/78

FMC TRUCK & COACH

ITEM NO	PART OR TOOL DESCRIPTION	ADD'L DATA	QTY	PART NUMBER	ENGINE CODES	SERIES	BOX DIM	ITEM RESTRICTION	DEPARTMENTS		CHANGE		LOGIC CODE	FUNCTION CODE	ADDITIO CODES	FNA	LINE NOB
									91	2/STA	CD	AUTH					
0250AA	LAMP ASM		1	791143			P1		0782	38			0000380175				3.37
0260AA	SCREW		2	9417303			R1		0782	38							3.38
0270AA	RIVNUT		2	2265051			R1		0782	38							3.41
0280AA	ADHESIVE		4	9981090			R1		0782	38							3.42
0290AA	SWITCH ASM		1	6262646					0782	41			0000410280				3.45
0300AA	C RING		1	8520398					0782	41							3.47
0320Z0	RECEIVER ASM		1	7898450				U56	0782	45	0374422544	50270				08100	3.49
0320AF	RECEIVER ASM		1	7898510				UM2	0782	45	0374492974	50270				06000	3.50
0330FA	NUT		2	7279804				UM2/U56	0782	45							3.52
0340AA	KNOB ASM TUNING		1	3986872				UM2/U56	0782	45			0474450275				3.54
0350AA	KNOB ASM TUNING		1	3986879				UM2/U56	0782	45			0474450280				3.55
0360AA	KNOB ASM TUNE		2	3986873				UM2/U56	0782	45			0474450285				3.58
0370AA	SPEAKER ASM RR		2	7898080				UM2/U56	0782	40	0374404744	00120				CP000	4.1
0375Z0	SPEAKER ASP CIR		2	7028765				UM2/U56	0782	40	0374404744	00130				OR090	4.3
0380AA	SPEAKER ASP FRT		2	16000680				UM2/U56	0782	40	0374404744	00125				07100	4.5
0395AA	SCREW		8	9422164				UM2/U56	0782	40							4.7
0390AB	ERRT ROD STPT		1	796978				UM2/U56	0782	45			0474450290				4.9
0395AA	NUT		8	9433156				UM2/U56	0782	40							4.11
0400AB	CLIP ASM		1	9445948				UM2/U56	0782	45			0474450295				4.13
0410AB	WASHER		2	446181				UM2/U56	0782	45							4.14
0420Z0	WA LK		1	138479				UM2/U56	0782	45							4.17
0430AB	NUT		1	120361				UM2/U56	0782	45							4.19
0440AA	BOLT		1	180072				UM2/U56	0782	45							4.21
0450AA	WASHER		1	121753				UM2/U56	0787	45							4.23
0460AA	WA LK		1	3767134				UM2/U56	0782	45							4.25

P.M.V.E.S.	REFERENCE	ZE05000	MODEL YEAR 1978
		MODEL APPLICATION ELECTRICAL CONVENIENCE ITEMS	ORIGIN DATE 770803
			LAST CHG. DATE 770823
			LAST CHG. CODE 3744
			70 12L A
			RS. V. P. C. QRP PAGE

ITEM	PART OR TOOL DESCRIPTION	ADD'L DATA	QTY	PART NUMBER	ENGINE CODES	SERIES	BOX/BRN	ITEM RESTRICTION	DEPARTMENTS		CHANGE		LOGIC CODE	FUNCTION CODE	ADDIT'G CODE	A	LINE NOS
									#1	2/51A	CD	AUTH					
047	ANTENNA ASM		1	713739				UM2/U56	0782	39			0474390160	M			4.26
0475AA	ANTENNA ASM C/B		1	2021804				U84	0782	39			5710390165	M			4.26
0475AB	INSTR							REFER TO GRAPHICS SHT FOR INSTR	0782	39							4.29
0480AA	CAPACITOR ASM		1	409609				UM2/U58	0782	42			0474420335	M			4.31
0485AA	STRAP C/B ANT		1	8877976				U84	0782	39			5710390170	M			4.33
0490AA	LAMP ASM		1	705450				U26	0782	45			3656450300	M			4.35
0500AA	SCREW		2	9414722				U26	0782	45							4.37
0510AA	WA LK		2	121801				U26	0782	45							4.38
0520AA	SWITCH ASM		1	704885				U26	0782	45			3656450305	M			4.41
0530AA	WA LK		1	138549				U26	0782	45							4.43
0540AA	SEAL ASM		1	683653				U26	0782	45			3656450310	M			4.45
0550AA	WARNING ASM		1	1597232				U41	0782	39			3657390175	M			4.47
0600AA	PANEL LVL VLV		1	2009201					0782	43			0000430145	M			4.49

F.M.V.B.B.	REFERENCE	ZEO5000	MODEL YEAR 1978
		MODEL APPLICATION ELECTRICAL CONVENIENCE ITEMS	ORIGIN DATE 770803
		UPC DESCRIPTION	LAST CHG. DATE
			LAST CHG. CODE
			70 121 A 5
			SK. V. P. G. SMP PAGE





# PRODUCT DESCRIPTION MANUAL

## ASSEMBLY INFORMATION

DMT 1001 REV. 5/78

ENGINE TRUCK & CONCRETE

ITEM NO.	REV.	PART OR TOOL DESCRIPTION	ADD'L DATA	QTY	PART NUMBER	ENGINE CODES	SERIES	BODY	ITEM RESTRICTION	DEPARTMENTS		CHANGE		LOGIC CODE	FUNCTION CODE	ADDITIONAL CODES	FPA	LINE NOS.
										#1	2-STA	CO	AUTH					
		MVSS STD. UPC 6M1 CAT. 3 (RADIATOR AND FAN SHROUD)		3														1.0
		<p>EXERCISE CARE MUST BE EXERCISED IN THE SUB-ASSEMBLY OF RADIATOR FAN SHROUD TO THE RADIATOR. THE FAN SHROUD MUST BE SO LOCATED THAT THE DISTANCE BETWEEN TIP OF THE FAN BLADE AND THE SHROUD IS UNIFORM SO THAT FAN BLADE DOES NOT STRIKE THE RING. SPECIFIED TORQUE OF HOLD DOWN STOCK MUST BE MAINTAINED SO THAT FAN SHROUD WILL NOT BECOME LOOSE OR VIBRATE.</p>																
		<p>PROCESS DOCUMENTATION: THIS PROCESS UTILIZES STANDARD TOOLS AND EQUIPMENT OF WHICH THE CAPABILITIES ARE WELL ESTABLISHED.</p>																
		<p>APPROVED BY: <i>James E. Keigh</i></p>																
		<p>DATE: <i>10/12/77</i></p>																
1		UPC 6	1977 PDM						ZE05XXX									MODEL YEAR IS 78
2		CAT. 3																ORIGIN DATE
3		RAD. FAN																LAST CHG. DATE
4		SHROUD																LAST CHG. CODE
5																		70 13 33 1
																		BY W. P. S. JRC. PAGE

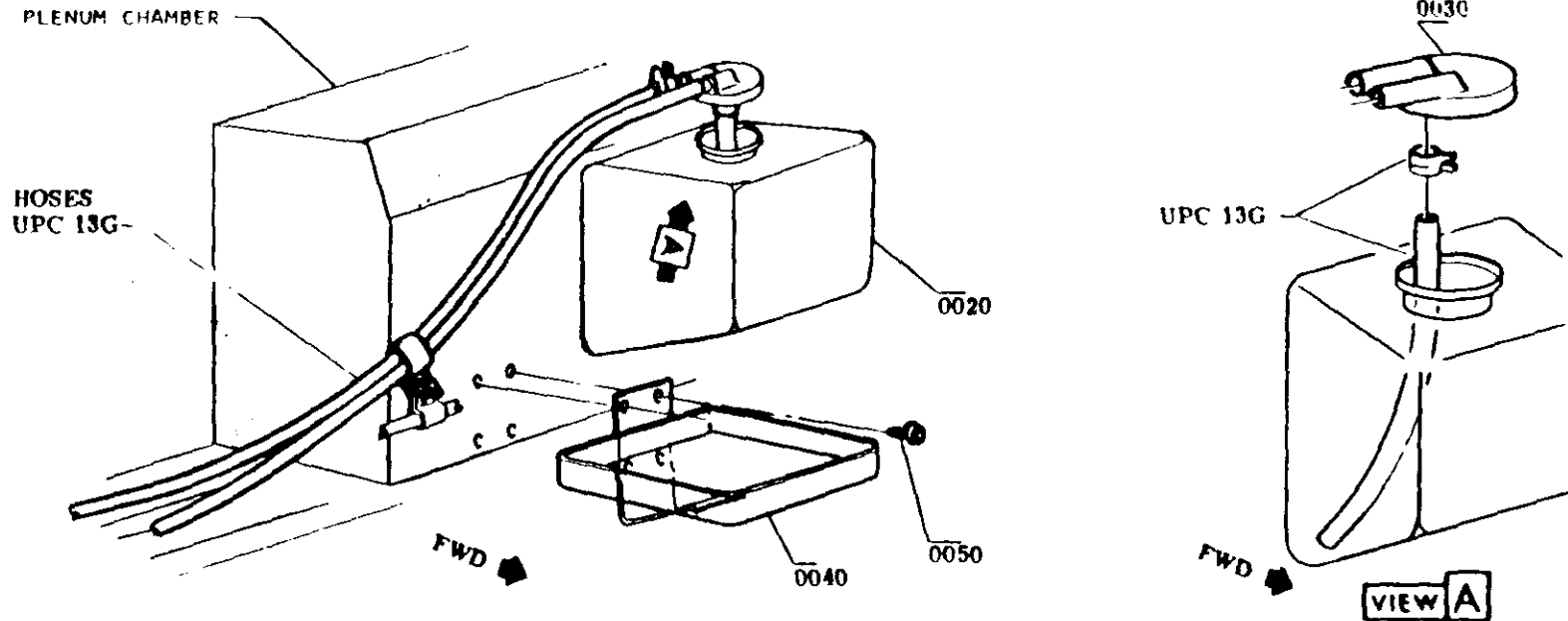
F.M.V.S.B.

REFERENCE

MODEL APPLICATION  
ENGINE (RADIATOR SHROUD)  
UPC DESCRIPTION



GMT 922 1-73



CLOSED TYPE COOLANT SYSTEM

INITIAL COLD FILL INSTRUCTION

1. FILL RADIATOR TO FILLER NECK.
2. INSTALL RADIATOR CAP--ALIGN STRIPE WITH RADIATOR OVERFLOW TUBE.
3. FILL RESERVOIR TO COLD LEVEL LINE ONLY.
4. INSTALL RESERVOIR CAP.

CAUTION

1. **DO NOT REMOVE RADIATOR CAP WHEN ENGINE IS AT NORMAL OPERATING TEMPERATURE OR OVERHEATED. SERIOUS PERSONAL INJURY MAY RESULT.**
2. CARE MUST BE TAKEN WHEN FILLING SYSTEM TO PREVENT DAMAGE TO FINISH.

COOLANT LEVEL CHECK AFTER INITIAL FILL

1. **DO NOT REMOVE RADIATOR CAP TO CHECK OR FILL COOLANT SYSTEM.**
2. COOLANT LEVEL SHOULD BE CHECKED VISUALLY AT SEE-THROUGH RESERVOIR.
3. COOLANT LEVEL SHOULD BE AT THE COLD LEVEL LINE WHEN THE ENGINE IS COLD AND NEAR THE HOT LEVEL LINE WHEN THE ENGINE IS AT NORMAL OPERATION TEMPERATURE.

DATE	SYM	REVISION	AUTH	DR	IN	DEPARTMENTS	'78 TRUCK BOOK70	
4-77		ORIGINAL RELEASE	47000P				TITLE COOLANT RECOVERY TANK	
							NAME RADIATOR ASM.	DIVISION 13A
								SHEET 2





# PRODUCT DESCRIPTION MANUAL

## ASSEMBLY INFORMATION

GMT 1041 REV. 5/78

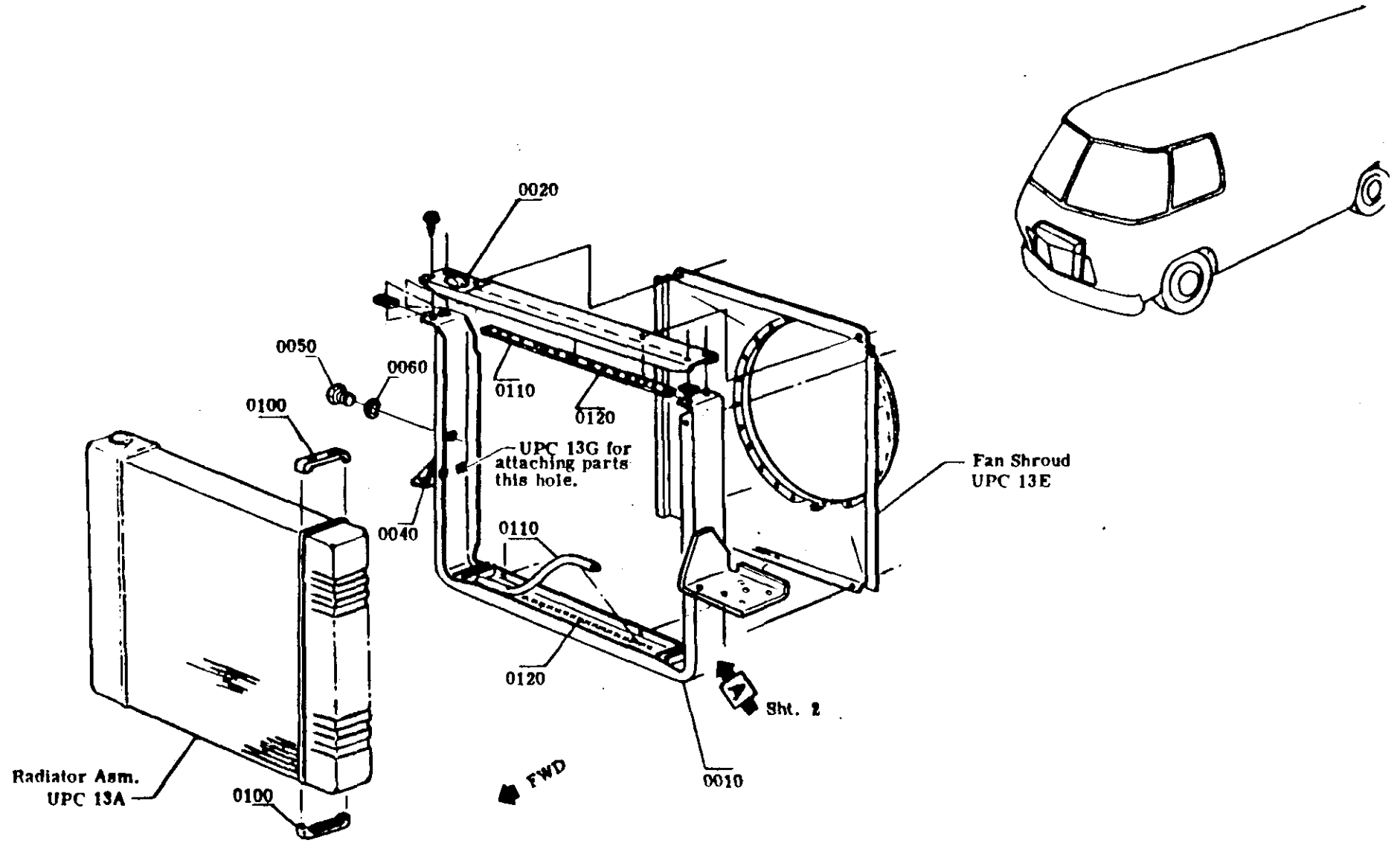
GENE TRACK & CRACKER

ITEM	QTY	PART OR TOOL DESCRIPTION	ADD'L DATA	QTY	PART NUMBER	ENGINE CODES	SERIES	NOV. BIRK	ITEM RESTRICTION	DEPARTMENTS		CHANGE		LOGIC CODE	FUNCTION CODE	ADDITIONAL CODES	FNA	LINE NOS.
										#1	2/51A	CD	AUTH					
AA01014		CLG SYSTEM		*	L8450					0782								1.8
AA02014		CLG SYSTEM		*	L8450					0752								1.10
AA03014		CLG SYSTEM		*	LP450					0702								1.12
0010AA		BODY ASM RAD		1	3035237					0752	69			0000	690125			1.20
0020AA		TANK ASM		1	337846					0702	7	REPR	0000	070095				1.22
0030AA		CAP		1	1497193					0782	41			0000	410290			1.24
0040AA		BRKY ASM		1	325653					0702	7			0000	070100			1.26
0050AA		SCREW		4	9417855					0702	7							1.28
0060AA		COCK ASM		1	9427524					0752	69			0000	690130			1.30
0070AA		SEALER		4	R33431					0752	69							1.32
0080AA		CAP ASM		1	6410618					0752	69			0000	690135			1.34

1 2 3 4 5	2E03000		MODEL YEAR 1978
	MODEL APPLICATION RADIATOR		ORIGIN DATE 770802
F.M.V.B.B. REFERENCE		UPC DESCRIPTION	LAST CHG. DATE 770801
			LAST CHG. CODE REPRC
			70 13A A 1
			BK U. P. C. SHP PAGE

□ ITEM REFERENCE    ◇ PROCESS MATERIAL    △ TORQUE    ▣ PART OF OR EXISTING

GMT 922 1-73



DATE	SYN	REVISION	AUTH	DR	CR	DEPARTMENTS	BOOK 70
6-6-72		PHILIP R. ROBERTS	vj	000	2, 3, 4		TRUCK
							BOOK 70
TITLE							
RADIATOR CORE TO SHROUD & BRKTS (SUB. - ASM.)							
NAME			DIVISION		SHEET		
RADIATOR MOUNTING			138		1		



ITI	PART OR TOOL DESCRIPTION	ADD'L DATA	QTY	PART NUMBER	ENGINE CODES	SERIES	REV	ITEM RESTRICTION	DEPARTMENTS		CHANGE		LOGIC CODE	FUNCTION CODE	ADDITIO COD	IA	LINE NOS
									#1	2/STA	CD	AUTH					
AAG	CLG SYSTEM			18450					0752								1.8
AA02014	RAD COOLANT INK			15717					0752								1.10
AA02024	& HOSE ROUTING								0752								1.11
AA03014	CLG SYS LAYOUT			12774					0752								1.1
0010AA	SUPPORT RAD LWR		1	691084					0752	69		0000690140					1.23
0020AA	SUPPORT RAD UPR		1	689878					0752	69		0000690145					1.25
0030AA	BRACKET SUPY		1	2008184					0752	69		0000690150					1.27
0040AA	BRACKET SUPY		1	691087					0752	69		0000690155					1.29
0050AA	BOLT BRKT RAD		4	9418961					0752	69							1.31
0050AB	2530 FT LBS								0752	69							1.32
0060AA	WASHER BOLT		6	103321					0752	69							1.34
0070AA	BOLT		4	180122					0752	69							1.36
0080AA	WASHER BOLT		4	138489					0752	69							1.38
0090AA	NUT 15120 FT LBS		4	9422271					0752	69							1.40
0100AA	PAD RAD KEY		4	3901449					0752	69		0000690160					1.42
0110AA	SEAL RAD UPR		2	391294					0752	69		0000690165					1.44
0120AA	CEMENT		*	9981098					0752	69							1.46

1 2 3 4 5 6 7 8 9 10 11 12	ZE0500C										MODEL YEAR 1978					
											ORIGIN DATE 770802					
											LAST CHG. DATE					
										LAST CHG. CODE						
										70 13B A 1						
										OR U. P. C. QMP PAGE						
REFERENCE										MODEL APPLICATION RADIATOR MOUNTING PARTS UPC DESCRIPTION						



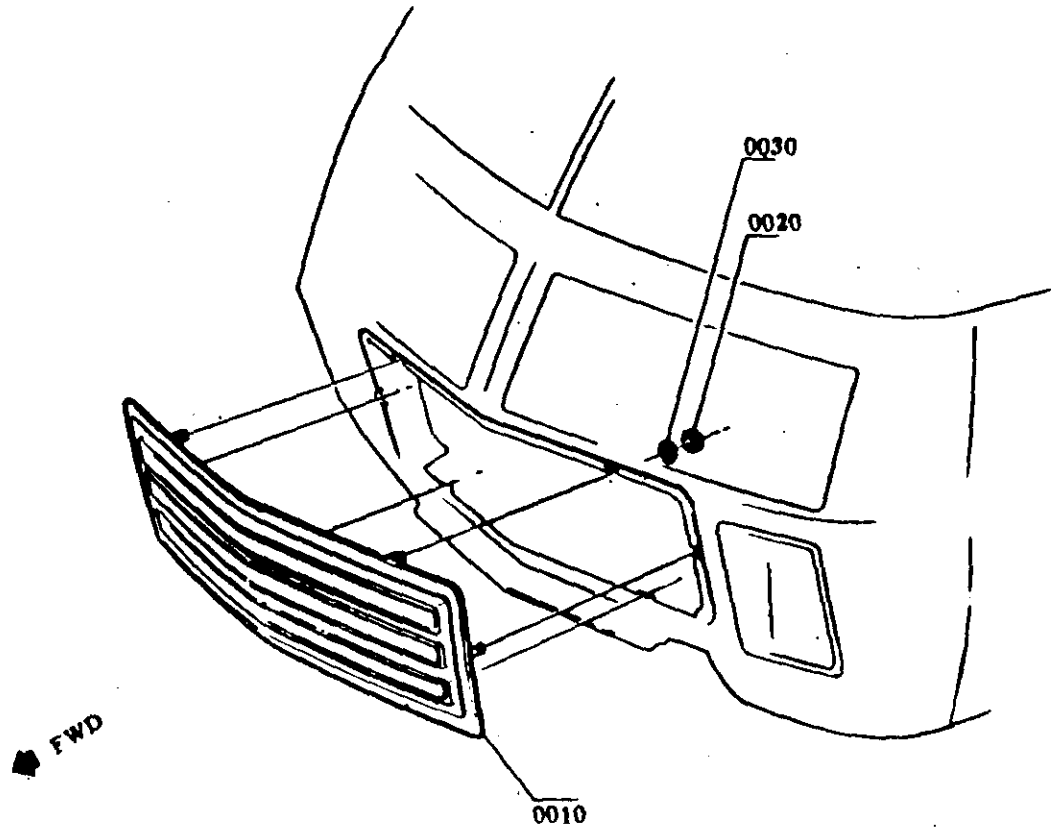


TRUCK & BUS DIVISION  
GENERAL MOTORS CORPORATION

# PRODUCT DESCRIPTION MANUAL

□ ITEM REFERENCE    ◇ PROCESS MATERIAL    △ TORQUE    ▣ PART OF OR EXISTING

GMT 922 1-73



DYNAMIC (Installation) - 105	INSPECTION (Inspection) - 105	DATE	SYM	REVISION	AUTH	DR	BY	DEPARTMENTS	78 TRUCK	BOOK 70
△		6-6-77		ORIGINAL RELEASE	47000/RS				TITLE RADIATOR GRILL	
△									PART RADIATOR GRILL	
△									NUMBER 13C	
△									SHEET 1	

IT	PART OR TOOL DESCRIPTION	ADD L DATA	QTY	PART NUMBER	ENGINE CODES	SERIES	RDY BRK	ITEM RESTRICTION	DEPARTMENTS		CHANGE CD	LOGIC AJTM	LOGIC CODE	FUNCTION CODE	ADDITN CODE	A	LINE NOS
									#1	2 STA							
AAD	GRILLE			L2974					0754								1.8
0010AM	GRILLE ASM RAD		1	691620					0754	9d			0600900070				1.2
0020AM	WASHER		6	3790662					0754	9d							1.2
0030AM	WU1		6	3759924					0754	9d							1.2

1 2 3 4 5 F.M.V.S.S.	7E05C00	MODEL YEAR 1978
	MODEL APPLICATION	ORIGIN DATE 770802
	RADIATOR GRILLE & DEFLECTORS	LAST CHG DATE
REFERENCE	UPC DESCRIPTION	LAST CHG CODE
		70 13L A 1
		BK U P C GRP PAGE



ITEM NUMBER	DESCRIPTION	UNIT	QTY	DATE	BY	REVISION	APPROVED	DATE	BY	REVISION	APPROVED	DATE	BY
201500	RADIATOR SHROUD	2105000	1										
2016954	SHROUD ASM FAN		1										
2015039	SOLE FAN SHROUD		4										
1694253	SOLE FAN		4										

1													
2													
3													
4													
5													
1 M.V.S	REFERENCE												

2105000  
 MODEL APPLICATION  
 RADIATOR SHROUD  
 UPC DESCRIPTION

MODEL YEAR 70  
 ORIGIN DATE 11/10/62  
 LAST CHG DATE 11/10/68  
 LAST CHG CODE 61390  
 70 10E A 1  
 BK U.P.C. GRP PAGE







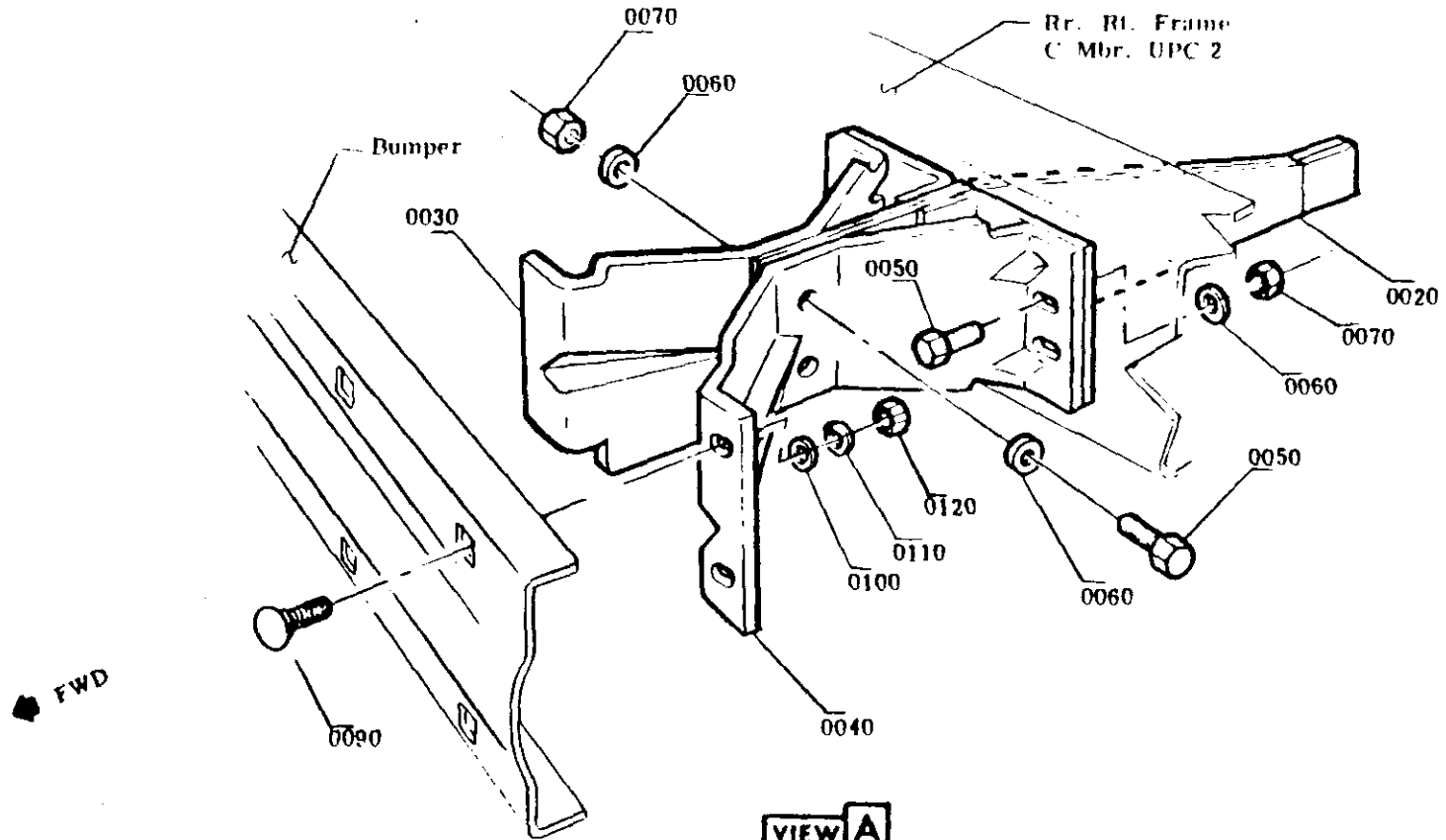






□ ITEM REFERENCE    ◇ PROCESS MATERIAL    △ TORQUE    ▣ PART OF OR EXISTING

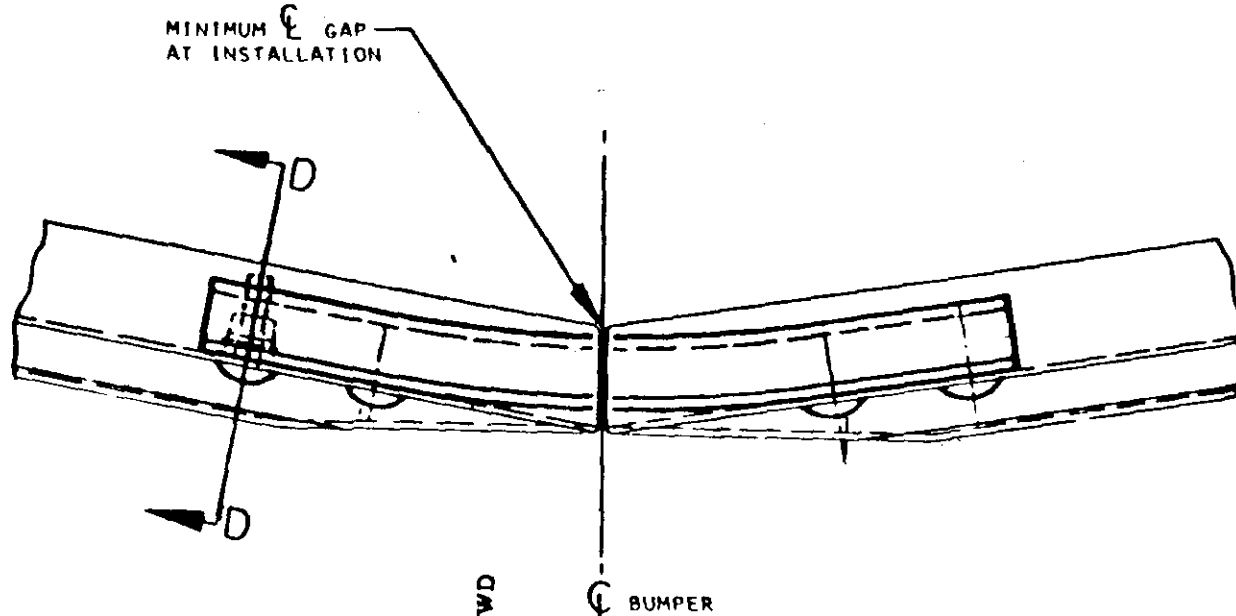
GMT 922 1/75



**VIEW A**  
From Sht. #1  
Typical R L

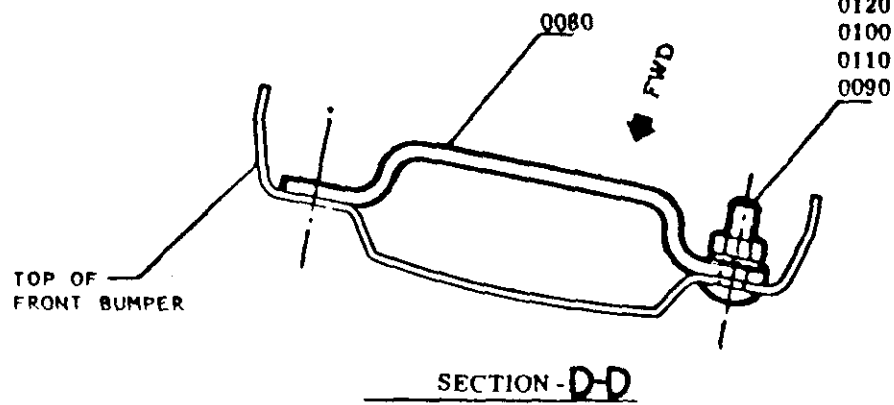
BYDRAW (Instruction) - EDS	FRAM (Inspection) - EDS	DATE	SYM	DIVISION	AUTH	DR	CR	DEPARTMENTS	TRUCK	BOOK
	△ △ △ △	8/77		ORIGINAL RELEASE	2/2000	P	2/75		78 TRUCK	BOOK 70
									FRONT BUMPER ASM.	
									FRONT BUMPER	DIVISION/UPC <b>14A1</b>
										SHEET <b>2</b>

GMT 922 1-73



FWD

**VIEW B**  
**PLAN VIEW**  
From sheet 1



SECTION - D-D

DATE	SYM	REVISION	AUTH	DR	DEPARTMENTS	177 TRUCK		BOOK 70
6/27/71		ORIGINAL RELEASE	1270	12/71		TITLE		
						BUMPER TIE		
						NAME	DIVISION	SHEET
						FRONT BUMPER	14A1	3



ASSEMBLY INFORMATION

ITEM NO.	DESCRIPTION	QTY	UNIT	CODE	DATE	REVISION	STATUS
000000	BUMPER	1					
001000	FRONT BUMPER	2		102569			
002000	WASHER ASM FRONT BPR	2		2023729			
003000	BRKT FRONT BPR	2		2023729			
004000	BRKT FRONT BPR	2		2023730			
005000	BOLT	12		9424069			
006000	WASHER	24		3693853			
007000	NUT 35:45 FT #	12		9422299			
008000	EAR	1		100745			
009000	BOLT	16		121807			
010000	WASHER	16		103321			
011000	WA LR	16		9421042			
012000	NUT 12:16 FT #	16		9437796			

1 2 3 4 5 6 7 8 9 10 11 12 13 14 15 16 17 18 19 20 21 22 23 24 25 26 27 28 29 30 31 32 33 34 35 36 37 38 39 40 41 42 43 44 45 46 47 48 49 50	7E05C00	MODEL YEAR 1970 ORIGIN DATE 770603 LAST ENG DATE 771008 LAST CHG CODE 61390
	MODEL APPLICATION FRONT BUMPER	70 14A1 A 1
	UPC DESCRIPTION	PK U P C GRP PAGE

REFERENCE

L







ASSEMBLY INFORMATION

QTY	PART DESCRIPTION	UNIT	QTY	UNIT	QTY	UNIT	QTY	UNIT	QTY	UNIT	QTY	UNIT	QTY	UNIT	QTY	UNIT
	REAR BUMPER		1	19870												
0015AA	LEAF SPR BR SPR		2	202170												
0016AA	LEAF SPR BR SPR		2	202170												
0017AA	BOLT		16	942040												
0018AA	WASHER		2	367350												
0019AA	NUT 3/4-16 FT		12	942220												
0020AA	BAR FACE		2	702560												
0021AA	BAR FACE TIE		1	700500												
0022AA	BOLT		16	121800												
0023AA	WASHER		16	9421040												
0024AA	WA LK		16	103320												
0025AA	NUT 1/2-16 FT *		16	943770												

1		2005000	MODEL YEAR IS 70
2			ORIGIN DATE 770803
3			LAST CHG DATE 771008
4			LAST CHG CODE 01390
5			70 14A A 1
6	MODEL APPLICATION		OR U P C DRP PAGE
7	REAR BUMPER		
8	PART DESCRIPTION		





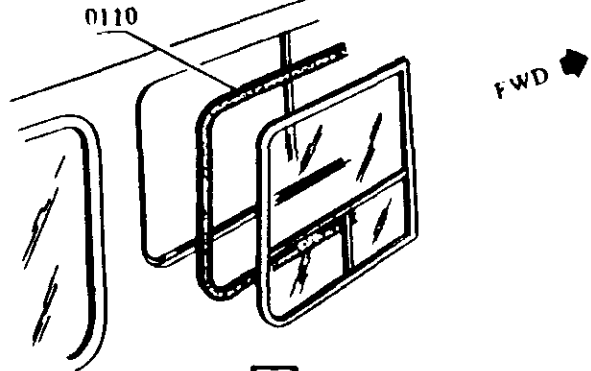




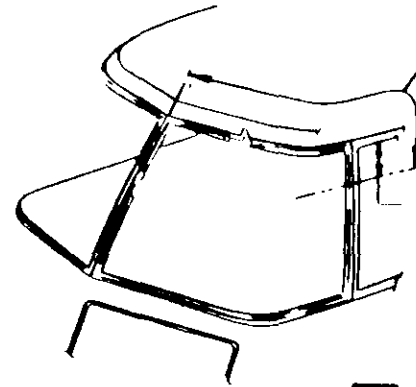




GMT 922 1/75

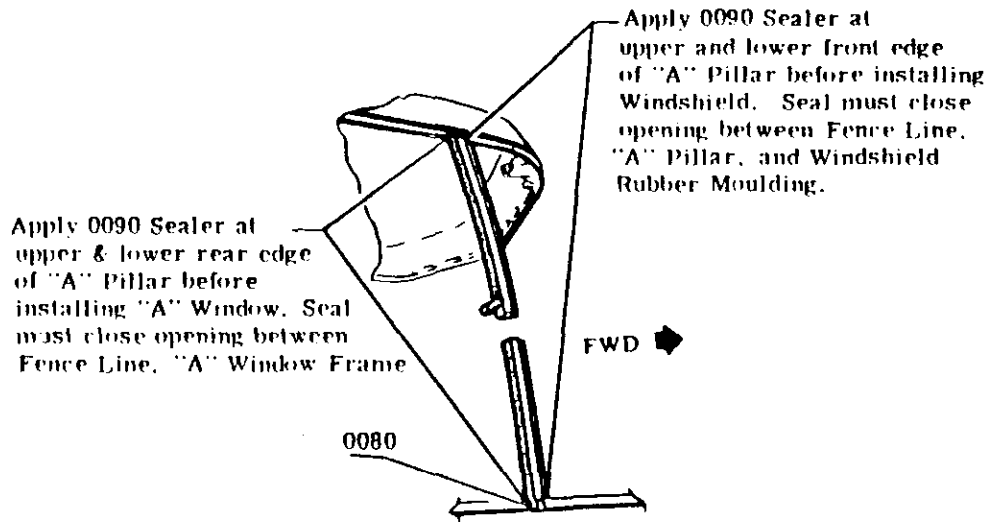


**VIEW R**  
From Sht. #1  
TYPICAL R L



**VIEW S**  
From Sht. #1  
TYPICAL R L

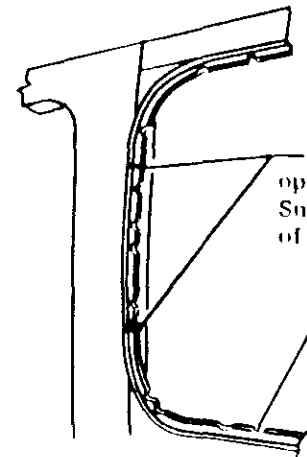
Apply 0170 Sealer between Windshield Moulding & Upper Fence Line and between Windshield Moulding and 6.00" down the front side of "A" Window Pillar.



**VIEW T**  
From Sht. #1  
TYPICAL R L

Apply 0090 Sealer at upper & lower rear edge of "A" Pillar before installing "A" Window. Seal must close opening between Fence Line, "A" Window Frame

Apply 0090 Sealer at upper and lower front edge of "A" Pillar before installing Windshield. Seal must close opening between Fence Line, "A" Pillar, and Windshield Rubber Moulding.



**VIEW U**  
From Sht. #1  
TYPICAL R L

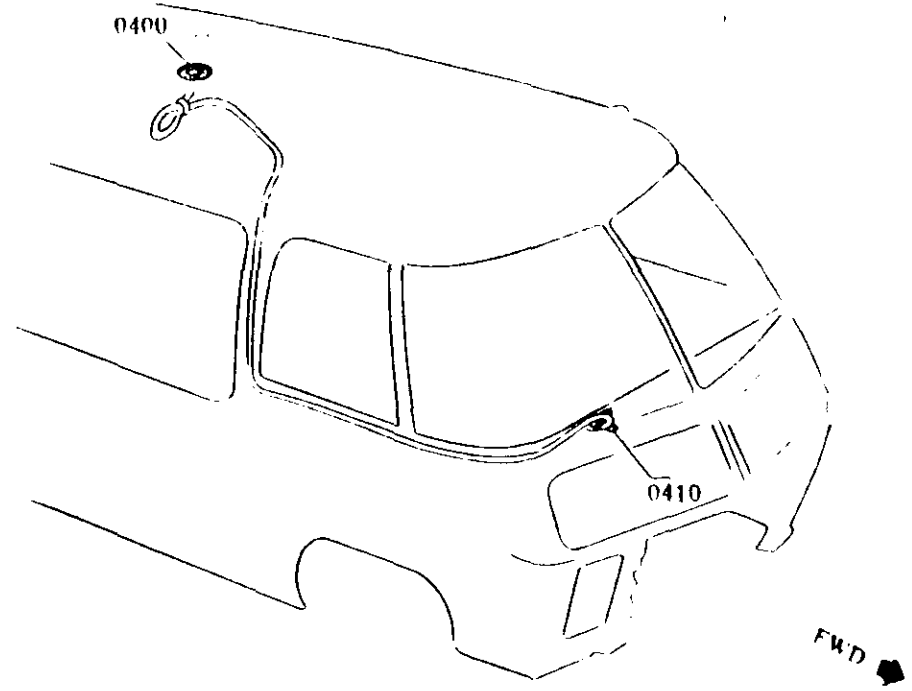
Apply 0450 Sealer in body seam opening before installing "A" Window. Smooth out Sealer to match contour of surfaces for "A" Window Opening.

In each Semicircular Hole, Fill Void Sealer 0440 - Before Installing a Window. Smooth Out Excessive Amounts of Sealer to Match Contour of Outer Face. Line 14 Holes Per Side Starting With This Hole & Moving Upward.

DYNAMIC (Installation) - IBS		HAND (Inspection) - IBS		DATE	SYM	REVISION	AUTH	DR	ER	DEPARTMENTS	78 TRUCK	BOOK 70	
▲ ▲ ▲ ▲						ORIGINAL RELEASE					SEALER		
											MISC. LUB. SEALER & GASOLINE	DIVISION/LUC 148	SHEET 6



GMT 922 1 75



DYNAMIC (Installation) LBS	HAND Inspection LBS	DATE	SYM	REVISION	AUTH	DR	LR	DEPARTMENTS	'78 TRUCK ' BOOK 70		
				ORIGINAL DESIGN					SEALER & TAPE LOCATION (CB ANTENNA)		
									MISC. LUB SEALER & GASOLINE	DIVISION/UPC 14B	SHEET 8

- ▲
- ▲
- ▲
- ▲



PRODUCT DESCRIPTION MANUAL  
ASSEMBLY INFORMATION

GMT 1061 REV 5-75



ITEM	QTY	PART OR TOOL DESCRIPTION	ADD'L DATA	QTY	PART NUMBER	ENGINE CODES	SERIES	KEY MARK	ITEM RESTRICTION	DEPARTMENTS		CHANGE CD	AUTH	LOGIC CODE	FUNCTION CODE	ADDITIONAL CODES	LINE NOS
										41	DATA						
AA01014		SEALING L/O			L8700						0782						1.8
AA02014		LUB CHT INSTL			M010298						0782						1.1
AA03014		RF BOW CVR INSTL			L8722						0782						1.1
AA04014		SANITARY & FRESH			L7095			81			0782						1.15
AA04024		WAT PLUMB INSTL									0782						1.15
AA05014		C/B ANT INSTL &			L8934			UB4			0782						1.10
AA05024		GRILL INSTR									0782						1.15
AA07014		LUB CHT INSTL			M010298						0752						1.2
AA08014		RF BOW CVR INSTL			L8722						0752						1.25
AA09014		SANITARY & FRESH			L7095			81			0752						1.25
AA09024		WAT PLUMB INSTL									0752						1.25
AA11014		SEALING L/O			L8700						0704						1.28
AA12014		LUB CHT INSTL			M010298						0704						1.30
AA13014		RF BOW CVR INSTL			L8722						0704						1.32
AA14014		SANITARY & FRESH			L7095			81			0704						1.34
AA14024		WAT PLUMB INSTL									0704						1.35
AA15014		C/B ANT INSTL &			L8934			UB4			0704						1.37
AA15024		GRILL INSTR									0704						1.38
AA16014		SEALING L/O			L8700						0702						1.40
AA17014		LUB CHT INSTL			M010298						0702						1.42
AA18014		RF BOW CVR INSTL			L8722						0702						1.44
AA19014		SANITARY & FRESH			L7095			81			0702						1.46
AA19024		WAT PLUMB INSTL									0702						1.47
AA20014		C/B ANT INSTL &			L8934			UB4			0702						1.48
AA20024		GRILL INSTR									0702						1.50

ZE05000

MODEL YEAR 1978  
ORIGIN DATE 770803  
LAST CHG DATE 770929  
LAST CHG CODE 60626

MODEL APPLICATION  
MISC LUBRICANTS, SEALERS & GASOLINE

70 148 A 1

BK V. P. C. DRP PAGE

F M V 55

REFERENCE

UPC DESCRIPTION

UNIT	PART OR TOOL DESCRIPTION	ADDL DATA	QTY	PART NUMBER	ENGINE CODES	SECT	PROV	ITEM DESCRIPTION	DEPARTMENT	PLANT	OPERATION	OPERATION CODE	UNIT PRICE	AMOUNT
AA2004	WALING L/U		*	LB700					0705					1.54
AA2004	LUB CHT INSTL		*	M010298					0705					1.54
AA2004	RF BUM CVR INSTL		*	LB722					0705					1.54
AA2004	SANITARY & FRESH WAI PLUMB INSTL		*	L7095			81		0705					1.54
AA2004	L/D ANT INSTL & DRILL INSTR		*	LB934			084		0705					2.2
									0705					2.3
LU1004	GAS LUM LEAD		*	9935087				10 GAL PER VEHICLE	0752	100				2.10
LU2004	GREASE CHAS LUB		*	9985009				1 LB PER VEHICLE	0752	68				2.14
LU3004	GREASE ELEC CONM		*	9985208					0752	68				2.14
LU4004	LMPD CORRUSION		*	8860775				1 GAL PER VEHICLE	0704	16				2.18
LU5004	SEAL BODY & DA		*	8861489				83.00 OZ PER VEHICLE	0704	16	25456			2.18
LU5004	SEALER, HORN GRUP		*	9980638				1 OZ	0782	38	25456		02748	2.20
LU6004	SEAL BK JAMB		*	8861013				25 OZ PER VEHICLE	0702	3				2.22
LU7004	TAPE W/M BODY		*	8861094				40 FT PER VEHICLE	0704	8				2.24
LU8004	TAPE RR INTR		*	8861004					0704	4				2.26
LU9004	SEAL WDU FRT PLK		*	8861013				25 OZ PER VEHICLE	0782	43				2.28
LU1004	TAPE PLK/WDU		Z	2002097					0782	43				2.30
LU1004	TAPE MLDG FOAM		*	8861204		65		424.68 IN PER VEHICLE	0704	16	60626			2.32
LU1004	TAPE MLDG FOAM		*	8861204		60		350.68 IN PER VEHICLE	0704	16	60626			2.34
LU1004	TAPE RF CAP		*	8860661				11 IN. IN 2 PLACES	0704	4				2.35
LU1004	FOAM BODY		*	R37391					0705	18				2.36
LU1004	SEALER BODY		*	R35174				3 OZ PER VEHICLE	0704	16				2.37
LU1004	SEALER BODY		*	RH35766				3 OZ PER JOB	0782	42				2.41

2E05000

MODEL YEAR 1978  
 ORIGIN DATE 770803  
 LAST CHG DATE 771006  
 LAST CHG CODE 25456

MODEL APPLICATION

MISC LUBRICANTS, SEALERS & GASOLINE  
 UPC DESCRIPTION

70 14B A 2  
 BK W. P. C. 972 PAGE

REFERENCE

ITEM	QTY	PART OR TOOL DESCRIPTION	APPL DATA	QTY	PART NUMBER	ENGINE CODES	SERIES	HOW SUPPL	ITEM DESCRIPTION	DEPARTMENT		LOG CODE	FUNCTION CODE	ADDITIONAL NOTES	REF	QTY
										#	DATA					
U100AA		SEALER BODY			* 8861445				11 OZ PER VEHICLE	0704	14					2.4
U110AA		SEALER BODY			* 8861733				8 OZ PER VEHICLE	0705	22					2.4
U120AA		SEALER BODY			* 8861587				2 OZ PER VEHICLE	0782	49					2.4
U130AA		SEALER BODY			* 9030664				1 OZ PER VEHICLE	0782	49					2.4
U140AA		SEALER BODY			* 9980638				14 OZ PER VEHICLE	0782	43	25458				2.5
U150AA		SEALER BODY			* 9985270				12 OZ PER VEHICLE	0782	56					2.5
U160AA		INSUL URN TRAP			* 2003560			VNWB01/VNWB10		0705	18					2.5
U170AA		ADHESIVE URN TRP			* RH31164			VNWB01/VNWB10		0704	8					2.5
U180AA		SEALER C/B ANT			* 8861484			U84		0782	39					2.5
U190AA		TAPE			* R35416			U84		0782	39					3.2
U200AA		SEALER RF & SJ			* 8861733				12 OZ PER VEHICLE	0702	7					3.4
U210AA		SEALER RF VENT			* 8861013				.50 OZ PER VEHICLE	0702	7					3.6
U220AA		SEALER A WDU			* 8861013				1.00 OZ PER VEHICLE	0782	47					3.8
U230AA		SEALER A WDU			* R 35174				.25 OZ PER VEHICLE	0702	47					3.10
U240AA		SEALER LR RAIN CP			* 8861733				1.25 OZ PER VEHICLE	0702	6					3.1
U250AA		SEALER BODY			* 9981435				5 OZ PER VEHICLE	0782	53	25458				3.1

MODEL APPLICATION MISC LUBRICANTS, SEALERS & GASOLINE UPC DESCRIPTION	ZE0500G	MODEL YEAR 1978 ORIGIN DATE 770803 LAST CHG DATE 771006 LAST CHG CODE 25458
	REFERENCE	70 148 A 3 BK V. P. C. 9PP PAGE





PRODUCT DESCRIPTION MANUAL

ASSEMBLY INFORMATION

GMT 1081 REV 5/75

GM TRUCK & COACH

ITEM	QTY	PART OR TOOL DESCRIPTION	ADDL DATA	QTY	PART NUMBER	ENGINE CODES	SERIES	REV	ITEM RESTRICTION	DEPARTMENTS		CHANGE	EQUIV. PART NUMBER	EQUIV. PART CODE	ADDITIONAL CODES	UNIT PRICE
										#1	#2					
AA01014	1	LIC PLT INST		*	L3443						0782					1.8
AA04014	1	RR ACC DR		*	L3856						0782					1.10
AA01014	1	LIC PLT INST		*	L3443						0752					1.14
0010AA	2	SCREW LIC MTG			9416844						0752	80				1.20
0020AA	2	NUT LIC PLT			3907444						0752	80				1.24
0030AA	2	NUT LIC PLT			3907444						0782	38				1.24
0040AA	1	BUMPER RR LIC			3924813						0782	38	0000380180			1.26
0050AA	2	SCREW			9416844						0782	38				1.24

1 2 3 4 5 6 7 8 9 10 11 12 13 14 15 16 17 18 19 20 21 22 23 24 25 26 27 28 29 30 31 32 33 34 35 36 37 38 39 40 41 42 43 44 45 46 47 48 49 50 51 52 53 54 55 56 57 58 59 60 61 62 63 64 65 66 67 68 69 70 71 72 73 74 75 76 77 78 79 80 81 82 83 84 85 86 87 88 89 90 91 92 93 94 95 96 97 98 99 100	REFERENCE										ZE05000					MODEL YEAR 1978 ORIGIN DATE 770803 LAST CHG. DATE 770929 LAST CHG. CODE 70 14C A 1 BK V. P. C. OMP PAGE				
	MODEL APPLICATION LICENSE CARRIERS										UPC DESCRIPTION									
	F M V B S																			

# PRODUCT DESCRIPTION MANUAL

## ASSEMBLY INFORMATION

DMT 1081 REV 8/78

EMERSON TRUCK & COACH

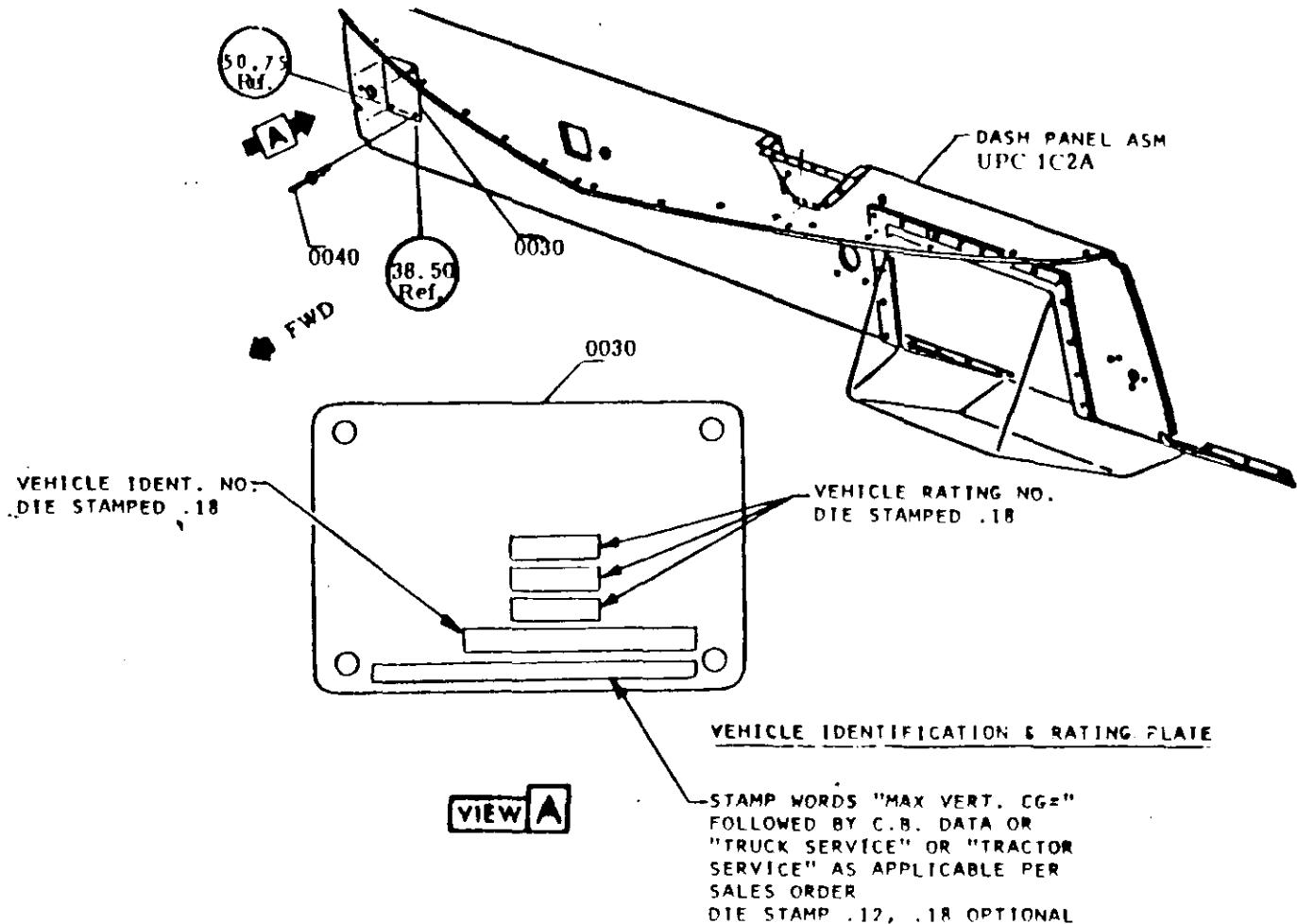
ITEM	QTY	PART OR TOOL DESCRIPTION	ADD'L DATA	QTY	PART NUMBER	ENGINE CODES	SERIES	BOX/STK	ITEM RESTRICTION	DEPARTMENT		CHANGE CD	ALPH	LOGIC CODE	FUNCTION CODE	ADDITIONAL CODES	TNA	LINE NOS
										#1	#2/STA							
0010AA		WRENCH WHEEL		1	706744					0758	100			0000	105035		M	1.8
0020AA		JACK ASM HYD		1	796122					0758	100			0000	105040		M	1.10
0030AA		CHAIN ASM JACK		1	707481					0758	100			0000	105045		M	1.12
0040AA		PAD HYD JACK		1	702560					0758	100			0000	105060		M	1.14
0050AA		HANDLE HYD JACK		1	3883156					0758	100			0000	105065		M	1.16
0060AA		PAG TOOL STORAGE		1	703470					0758	100			0000	105070		M	1.18
0070AA		HAND TOOLS KIT		1	2029946			T58		0758	100			3477	105075		M	1.20

1 2 3 4	7E05000										MODEL YEAR IS 78							
	MODEL APPLICATION										ORIGIN DATE							
	TOOL COMPARTMENT & KIT										LAST CHG DATE							
UPC DESCRIPTION										LAST CHG CODE								
REFERENCE										70 14E A 1								
F.M.V.S.S.										OR U.P.C. 898 PAGE								



□ ITEM REFERENCE    ◇ PROCESS MATERIAL    △ TORQUE    ▣ PART OF OR EXISTING

GMT 922 1-73



BY (Drawn) (Inspector) - LPS	DATE	SYN	REVISION	AUTH	DR	CR	DEPARTMENTS	TITLE
▲ ▲ ▲ ▲	8-2-73		ORIGINAL RELEASE					'78 TRUCK BOOK 70
								VEHICLE IDENT. & RATING PLATE
								PLATE CAR #1 D. DIVISION SHEET
								COMPL. ITEMS 14F 1





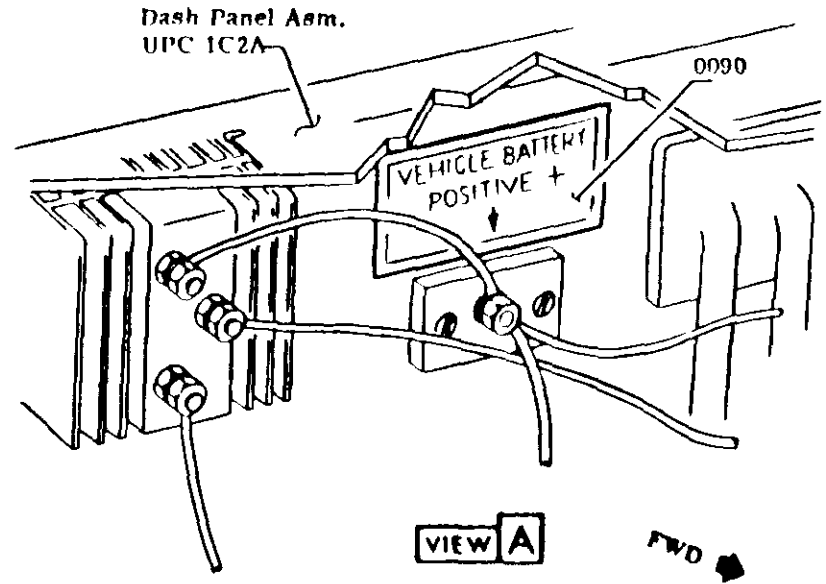
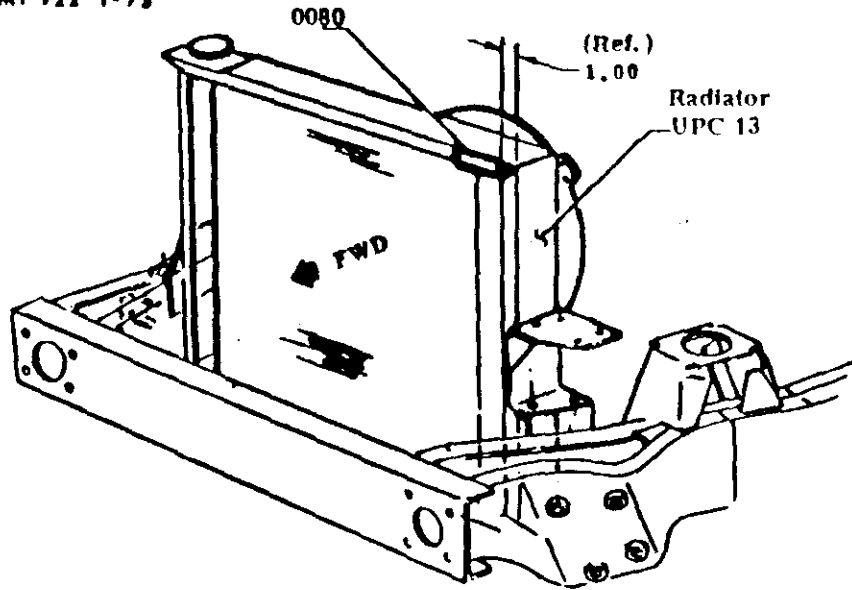




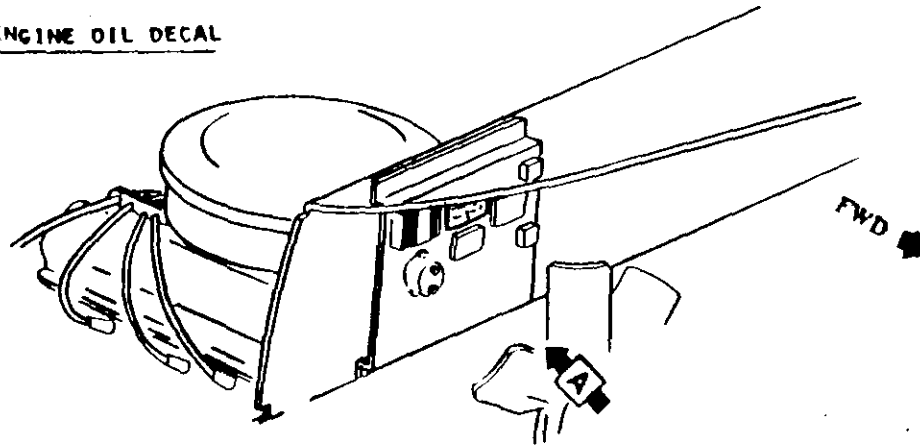


□ ITEM REFERENCE    ◇ PROCESS MATERIAL    △ TORQUE    ▣ PART OF OR EXISTING

GMT 922 1-78



ENGINE OIL DECAL



**NOTE**

SURFACE PREPARATION:

SOLVENT WIPE FINISH  
PAINTED SURFACES WITH  
DUPONT'S #3319 PREPSOL  
OR EQUIVALENT PRIOR TO  
INSTALLATION OF DECALS  
OR LABELS

DATE	BY	REVISION	AUTH	DR	CR	DEPARTMENTS
5-77		ORIGINAL RELEASE	47000	2		

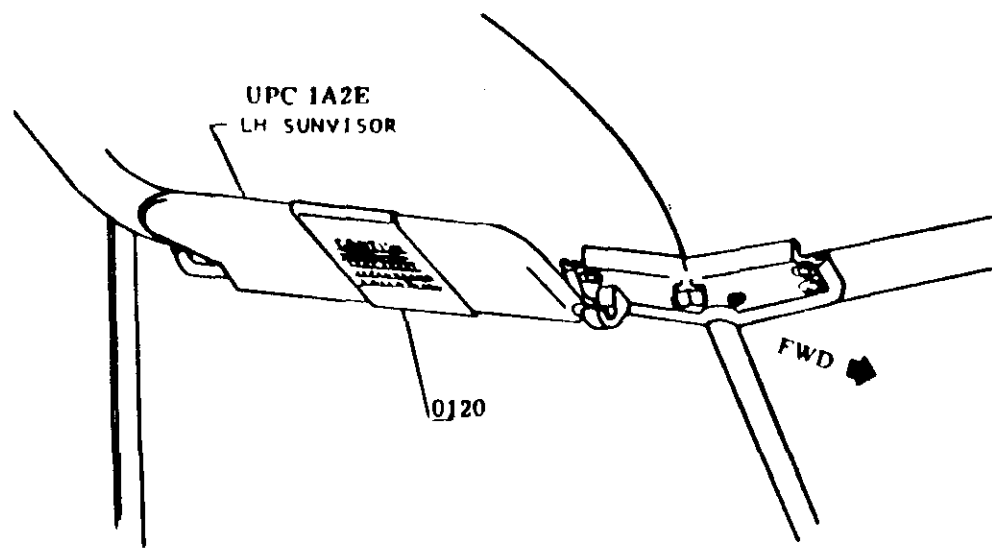
**78 TRUCK**      **BOOK 70**

TITLE  
ENG. OIL & BATT. TERMINAL DECAL

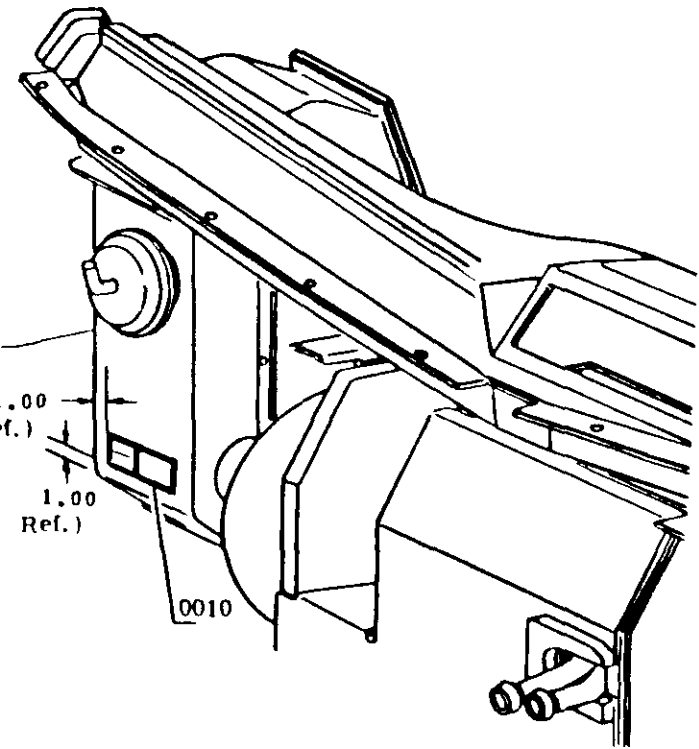
CAR # I. D.      SHEET  
PLATES &      14F      6  
COMPLIERS



GMT 922 1-73



BATTERY BOOST CAUTION CARD



HEATER WARNING LABEL

BY/CHK (Instruction) - LPS	DATE	SYM	REVISION	AMTH	DR	EX	DEPARTMENTS	TRUCK	BOOK
▲ ▲ ▲ ▲	1/29/71		ORIGINAL RELEASE					78	70
TITLE BATTERY BOOST CAUTION CARD & WARNING LABEL								NAME CAR # I.D. DIVISION PLATES & COMPL. ITEMS	SHEET 14F 8



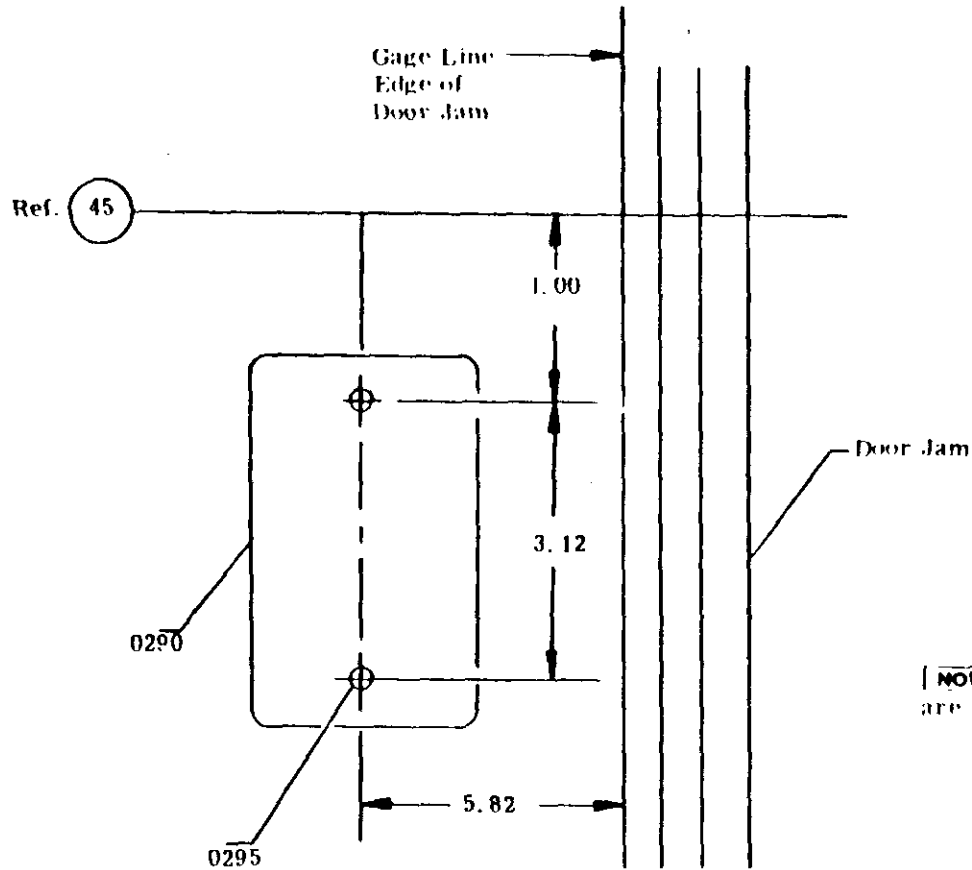
ITEM REFERENCE

PROCESS MATERIAL

TORQUE

PART OF OR EXISTING

◀ FWD



[ NOTE ] All Dimensions are Reference only.

VIEW F  
From Sheet 9

- RPO VNW 710 (KANSAS)
- RPO VNW 711 (MISSOURI)
- RPO VNW 712 (OHIO)
- RPO VNW 713 (NEBRASKA)
- RPO VNW 714 (MONTANA)

DYNAMIC (Installation) - LBS	STATIC (Inspection) - LBS	DATE	SYM	REVISION	AUTH	DR	EX	DEPARTMENTS
		1/1/78		ORIGINAL RELEASE	4/1/78			

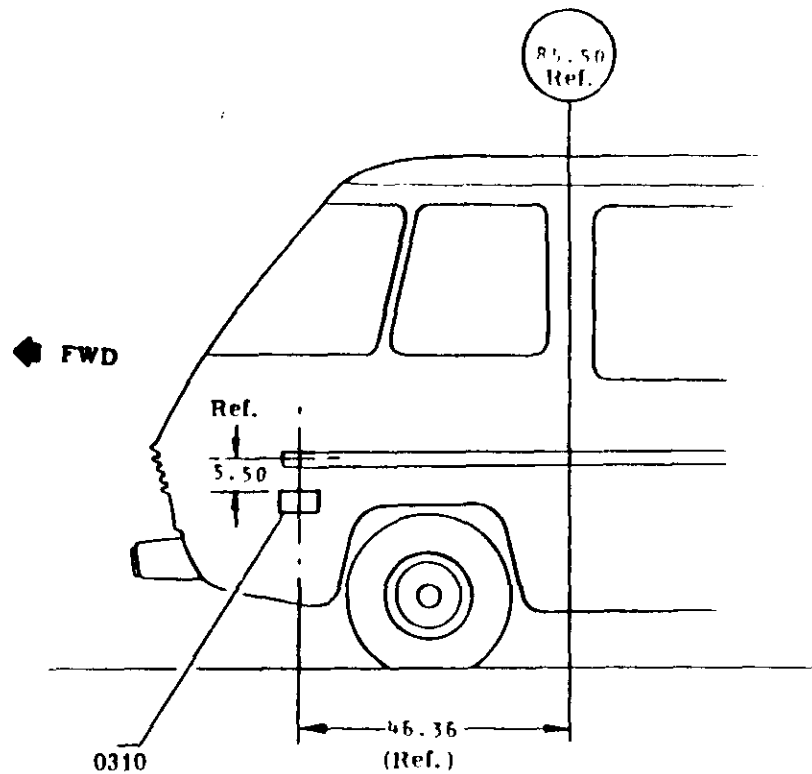
**'78 TRUCK** **BOOK 70**

STATE CERTIFICATE INSIGNIA  
RPO VNW

VEHICLE I.D. PLATES & COMPL. ITEMS	DIVISION/UPC <b>14F</b>	SHEET <b>10</b>
--	----------------------------	--------------------



GMT 922 1/75

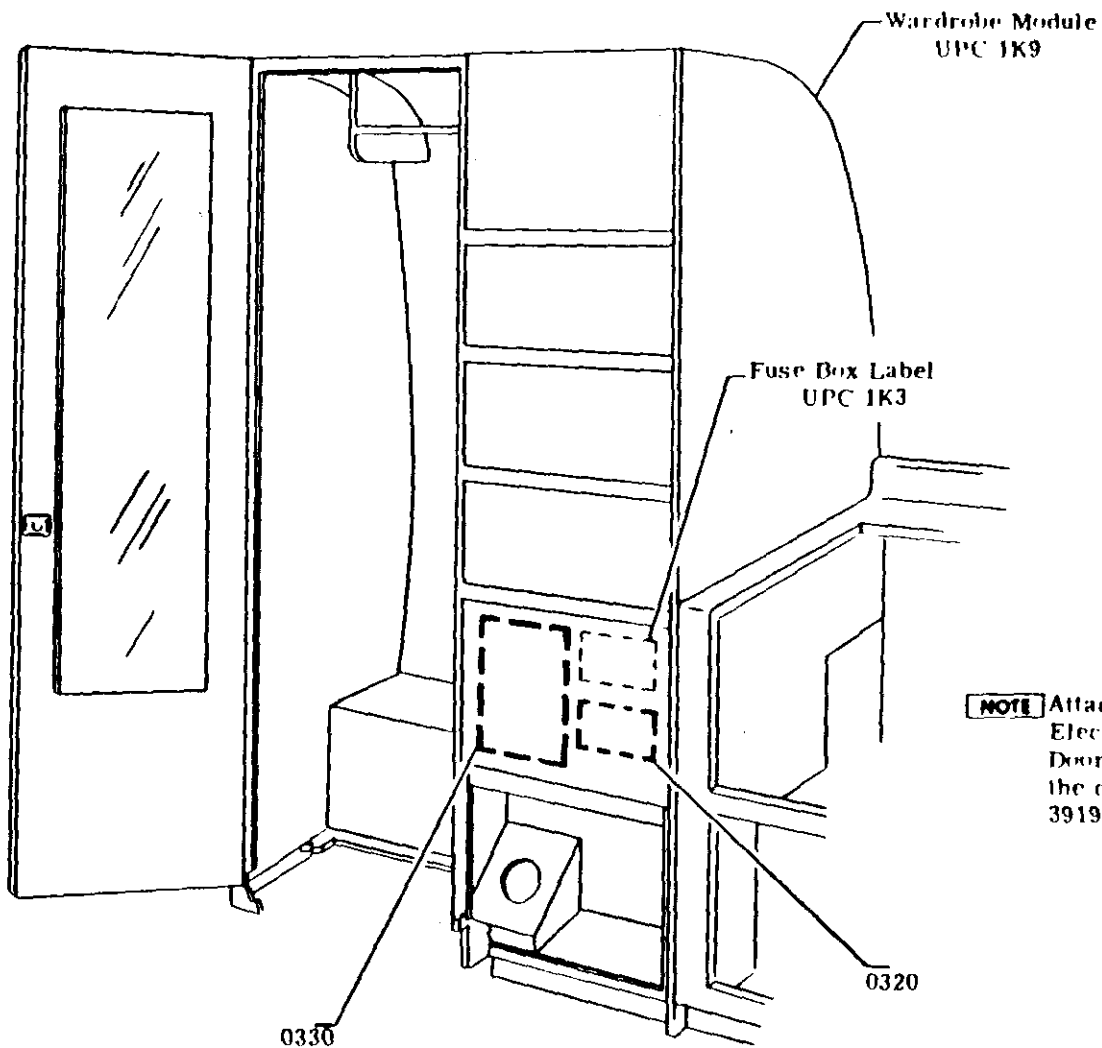


SYMBOL (Installation) - LBS	NAWD (Inspection) - LBS	DATE	SYM	REVISION	AUTH	DR	CR	DEPARTMENTS
		2-9-75		ORIGINAL RELEASE				

**78 TRUCK**      **BOOK 70**

STATE CERTIFICATION INSIGNIA  
(CALIFORNIA) RPO VNW

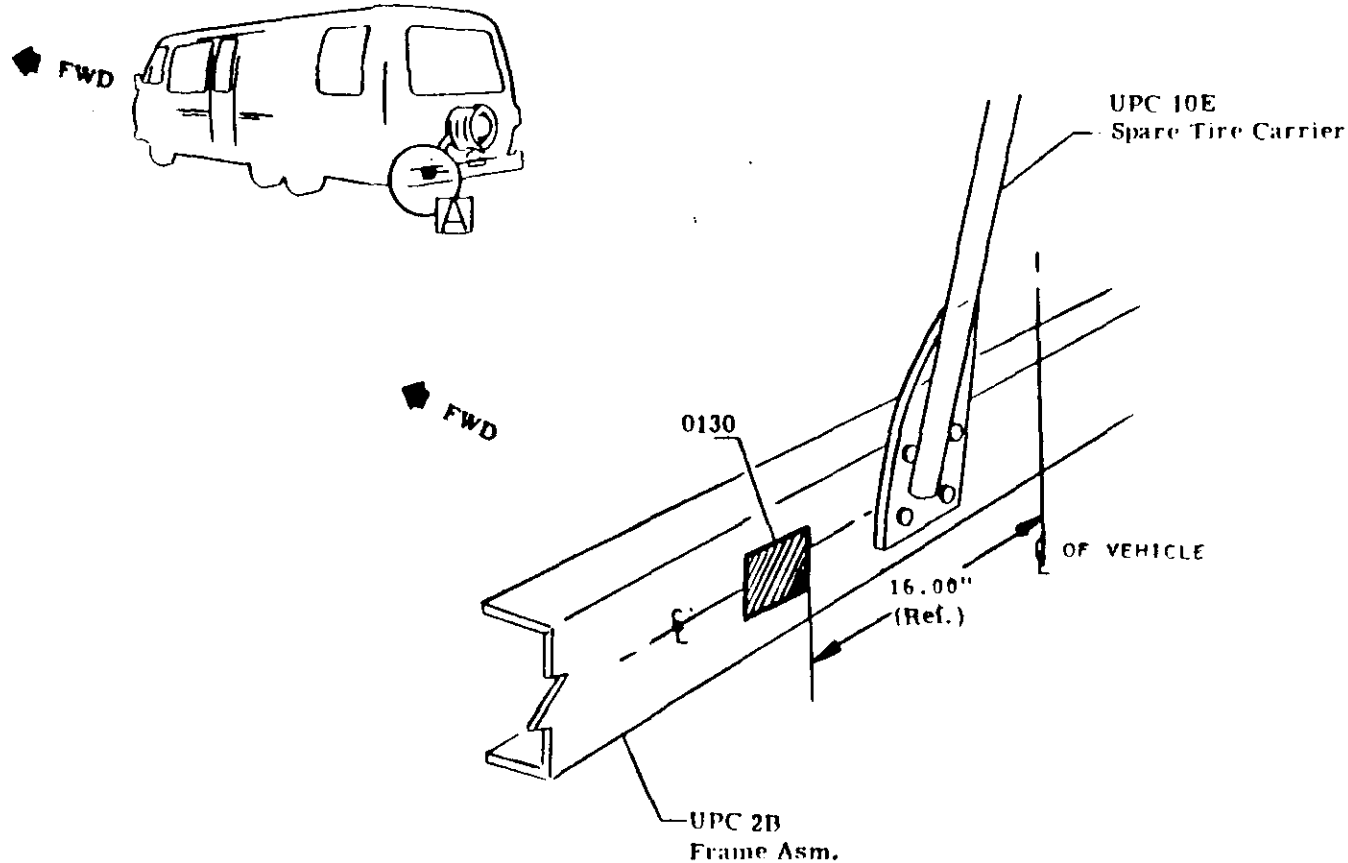
CAR # I.D.      VISION TYPE      REF.  
 PLATES &      **14F**      **11**  
 COMPL. ITEMS



**NOTE** Attach Data Plates to Inside of Electrical Panel Compartment Door immediately after Wiping the contact area with Dupont's 3919 or Equivalent

DYNAMIC (Installation) LBS	NAWD (Inspection) LBS	DATE	SYM	REVISION	AUTH	DR	LR	DEPARTMENTS			
	▲ ▲ ▲ ▲ ▲			ORIGINAL RELEASE					<b>'78 TRUCK</b>	<b>BOOK 70</b>	
									MANUFACTURES OHIO DATA PLATES RPO VNW		
									MANE CAR (E. D.) PLATES & COMPL. ITEMS	DIVISION/UPC <b>14F</b>	SHEET <b>12</b>

GMT 922 1/75



VIEW A

BYMARK (Inspection) - LBS	FRND (Inspection) - LBS	DATE	SYM	REVISION	AMT	DR	EN	DEPARTMENTS	'78 TRUCK	BOOK 70
		2-9-77		ORIGINAL RELEASE					TITLE	
									DECAL-HOLDING TANK DISCHARGE TUBE	
									CAR # I. D.	
									PLATES & COMPL. ITEMS	
									DIVISION/UPC	
									14F	13

# PRODUCT DESCRIPTION MANUAL

## ASSEMBLY INFORMATION

GMT 1081 REV. 5/78

GM TRUCK & COACH

ITEM	QTY	PART OR TOOL DESCRIPTION	ADD'L DATA	QTY	PART NUMBER	ENGINE CODES	SERIES	NO. PIN	ITEM RESTRICTION	DEPARTMENTS		CHANGE CO	LOGIC AUTH	LOGIC CODE	FUNCTION CODE	ADDITIONAL CODES	FNA	LINE NOS
										BT	Z-STA							
AA01014		VEH IDENT NO		*	MD12400					0786								1.8
AA01024		RATING PLT INST								0786								1.9
AA02014		VEH IDENT NO		*	L4635					0786								1.11
AA02024		RATING PLT INST								0786								1.12
AA03014		CERTIFICATION		*	L4971				R1STD/VNWR01 THRU VNW 811	0786								1.14
AA03024		PLATE								0786								1.15
AA04014		STATE CERTIFICA-		*	MD11049				R1STD/VNW	0786								1.17
AA04024		TION INSIGNIA																1.18
AA04034		PLATE INSTL &								0786								1.19
AA04044		DRILL								0786								1.20
AA05014		HOLDING TANK		*	MD12901			81		0786								1.22
AA05024		DISCHARGE LCC								0786								1.23
AA05034		DECAL																1.24
AA06014		EXH EMIS LABEL		*	L4205				VJ9	0786								1.27
AA07014		WER DATA PLT		*	L4124				VNWR10/VNWR11/VNWR12/VNWR13/ VNWR14	0786								1.28
AA07024		INSTL								0786								1.29
AA08014		OHIO DATA PLY		*	L7198				VNW812	0786								1.31
AA09014		PENN BRK AREA		*	MD14318				VXD	0786								1.33
AA09024		DATA CHT								0786								1.34
AA10014		VIN & RATING PLT		*	MD12400					0786								1.36
AA11014		OHIO DATA PLY		*	L7298					0786								1.38
AA12014		CERT LABEL		*	MD15858					0786								1.40
AA13014		VEH IDENT NO		*	MD12400					0784								1.42
AA13024		RATING PLT INST								0784								1.43
AA14014		VEH IDENT NO		*	L4635					0784								1.45
AA14024		RATING PLT INST								0784								1.46
AA15014		CERTIFICATION		*	L4971				R1STD/VNWR01 THRU VNW 811	0784								1.48
AA15024		PLATE								0784								1.49
AA16014		STATE CERTIFICA-		*	MD11049				R1STD/VNW	0784								1.51
AA16024		TION INSIGNIA								0784								1.52
AA16034		PLATE INSTL &								0784								1.53
AA16044		DRILL								0784								1.54

ZE05000

MODEL YEAR 1978

ORIGIN DATE 770804

LAST CHG DATE

LAST CHG CODE

70 14F A 1

BR V. P. G. 977 PAGE

MODEL APPLICATION

CAR NUMBERS, IDENT PLATES & COMPLIANCE ITEMS

UPC DESCRIPTION

F.M.V.S.S.

REFERENCE

ITEM	PART OR TOOL DESCRIPTION	ADD L DATA	QTY	PART NUMBER	U O	ENGINE CODES	SERIES	BODY TYPE	ITEM RESTRICTION	DEPARTMENTS		CHANGE AUTH	LOGIC CODE	FUNCTION CODE	ADDITION CODES	FA	LINE NOS
										#1	#2						
AA17014	HOLDING TANK			MD12900				81		0784							1.56
AA17024	DISCHARGE LOC									0784							1.57
AA17034	DECAL									0784							1.58
AA18014	EXH EMIS LABEL			LR205				VJ9		0784							2.1
AA19014	MFR DATA PLY			L8128				VNW810/VNW811/VNW812/VNW813/ VNW814		0784							2.3
AA19024	INSTL									0784							2.4
AA20014	OHIO DATA PLY			L7198				VNW812		0784							2.6
AA21014	PENN BRK AREA			MD14318				VXD		0784							2.8
AA21024	DATA CHT									0784							2.9
AA22014	VIN & RATING PLY			MD12400						0784							2.11
AA23014	OHIO DATA PLY			L7298						0784							2.13
AA24014	CERT LABEL			MD15858						0784							2.15
AA25014	VEH IDENT NO			MD12400						0782							2.17
AA25024	RATING PLY INST									0782							2.18
AA26014	VEH IDENT NO			L4634						0782							2.20
AA26024	RATING PLY INST									0782							2.21
AA27014	CERTIFICATION			L4971				P1STD/VNWR01 THRU VNWR 811		0782							2.23
AA27024	PLATE									0782							2.24
AA28014	STATE CERTIFICA-			MD11049				P1STD/VNWR		0782							2.26
AA28024	TION INSIGNIA									0782							2.27
AA28034	PLATE INSTL &									0782							2.28
AA28044	DRILL									0782							2.29
AA29014	HOLDING TANK			MD12900				81		0782							2.31
AA29024	DISCHARGE LOC									0782							2.32
AA29034	DECAL									0782							2.33
AA30014	EXH ERIS LABEL			LR205				VJ9		0782							2.35
AA31014	MFR DATA PLY			L8128				VNW810/VNW811/VNW812/VNWR13/ VNW814		0782							2.37
AA31024	INSTL									0782							2.38
AA32014	OHIO DATA PLY			L7198				VNW812		0782							2.40
AA33014	PENN BRK AREA			MD14318				VXD		0782							2.42
AA33024	DATA CHT									0782							2.43
AA34014	VIN & RATING PLY			MD12400						0782							2.45

ZF05000

MODEL YEAR 1978  
 ORIGIN DATE 770804  
 LAST CHG DATE  
 LAST CHG CODE

MODEL APPLICATION  
 CAR NUMBERS, IDENT PLATES & COMPLIANCE ITEMS  
 UPC DESCRIPTION

70 14F A 2  
 BK U. P. C. GMF PA08

PRODUCT DESCRIPTION MANUAL  
ASSEMBLY INFORMATION

GMT 1061 REV. 5/78

GEN. TRUCK & COACH

ITEM NO.	PART OR TOOL DESCRIPTION	ADD'L DATA	QTY	PART NUMBER	ENGINE CODES	SERIES	BODY STYL	ITEM RESTRICTION	DEPARTMENTS		CHANGE		LOGIC CODE	FUNCTION CODE	ADDITIONAL CODES	LINE NO.
									81	201A	201	AUTH				
AA35014	OHIO DATA PLT			L7298					0782							2.47
AA35014	CERT LABEL			MD15858					0782							2.49
AA37014	VEH IDENT NO			MD12400					0754							2.51
AA37024	RATING PLY INST								0754							2.52
AA38014	VEH IDENT NO			L4635					0758							2.54
AA38024	RATING PLY INST								0758							2.55
AA39014	CERTIFICATION			L4971				81STD/VNWB01 THRU VNW 811	0758							2.57
AA39024	PLATE								0758							2.58
AA40014	STATE CERTIFICA-			MD11049				81STD/VNW	0758							3.1
AA40024	TION INSIGNIA								0758							3.2
AA40034	PLATE INSTL G								0758							3.3
AA40044	DRILL								0758							3.4
AA41014	HOLDING TANK			MD12907				81	0758							3.6
AA41024	DISCHARGE LOC								0758							3.7
AA41034	DECAL								0758							3.8
AA42014	EXH EMIS LABEL			L8205				VJ9	0758							3.10
AA43014	REF DATA PLT			L8128				VNWB10/VNWB11/VNWB12/VNWB13/ VNWB14	0758							3.12
AA43024	INSTL								0758							3.13
AA44014	OHIO DATA PLT			L7198				VNWB12	0758							3.15
AA45014	PCPN BRK AREA			MD14318				VXD	0758							3.17
AA45024	DATA CHIT							VXD	0758							3.18
AA46014	VIN G RATING PLY			MD12400					0758							3.20
AA47014	OHIO DATA PLT			L7298					0758							3.22
AA48014	CERT LABEL			MD15858					0758							3.24
AA49014	VEH IDENT NO			MD12400					0752							3.26
AA49024	RATING PLY INST								0752							3.27
AA50014	VEH IDENT NO			L4635					0752							3.29
AA50024	RATING PLY INST								0752							3.30
AA51014	CERTIFICATION			L4971				81STD/VNWB01 THRU VNW 811	0752							3.32
AA51024	PLATE								0752							3.33

ZE05000

MODEL YEAR IS 78  
ORIGIN DATE 770804  
LAST CHG. DATE 770929

MODEL APPLICATION  
CAR NUMBERS, IDENT PLATES & COMPLIANCE ITEMS

LAST CHG. CODE  
70 14F A 3

# PRODUCT DESCRIPTION MANUAL

## ASSEMBLY INFORMATION

OMT 1001 REV 0/78



GENE TRUCK & CRACKER

ITEM	PART OR TOOL DESCRIPTION	ADDL DATA	QTY	PART NUMBER	ENGINE CODES	SETHS	NOV NUM	ITEM RESTRICTION	DEPARTMENT #	2-STA	CHANGE CD	AUTH	LOGIC CODE	FUNCTION CODE	ADDITIONAL CODES	FNA	LINE NOS
AA52014	STATE CERTIFICATION INSGNIA			MD11049				STD/VNW	0752								3.35
AA52024	PLATE INSTL & DRILL								0752								3.36
AA52034									0752								3.37
AA52044									0752								3.38
AA53014	HOLDING RANK			MD12907					0752								3.40
AA53024	DISCHARGE LOC								0752								3.41
AA53074	DFCAL								0752								3.42
AA54014	EXH EMIS LABEL			L8209				VJ9	0752								3.44
AA59014	MFR DATA PLT			L8126				VNW810/VNW811/VNW812/VNW813/	0752								3.46
AA59034	INSTL							VNW814	0752								3.47
AA59044	OHIO DATA PLT			L7198				VNW812	0752								3.49
AA57014	PENNY BRK AREA			MD14316				VXD	0752								3.51
AA57024	DATA CHT								0752								3.52
AA56014	VIN & RATING PL			MD12400					0752								3.54
AA59014	OHIO DATA PLT			L7298					0752								3.56
AA60014	CERT LABEL			MD15858					0752								3.58
0010A1	LABEL BATT WRNG		1	1875784					0782	37			0000370100				4.1
0020A4	LABEL SERV IDEN		1	342933					0782	44			0000440220				4.2
0030A4	PLATE RATING		1	713215					0754	88			0000880095				4.4
0040A4	RIVET PLATE		4	9423220					0754	88							4.6
0050A4	TAG GAS FILL		1	791690			81		0784	63			0000635215				4.8
0060A4	SEAL RV STDS		1	706768			81		0754	88			0000880100				4.10
0070A4	SCREW		2	9425754			81		0754	88							4.12
0080A4	DECAL ENG OIL		1	701145					0752	69			0000690190				4.14
0090A4	DECAL BATT TERM		1	701142					0782	37			0000370105				4.16
0100A4	DECAL TRANS OIL		1	701143					0752	62			0000620345				4.18
0110A4	DECAL EMER EXIT		1	2005725					0786	85			0000855060				4.20
0120A4	CARD BATT CAUY		1	709522					0782	37			0000370110				4.22

1								1E05000									MODEL YEAR 1978
2																	ORIGIN DATE 770804
3																	LAST CHG. DATE
4																	LAST CHG. CODE
5																	70 14F A 4
F.M.V.S.S.																	

REFERENCE

MODEL APPLICATION  
CAR NUMBERS, IDENT PLATES & COMPLIANCE ITEMS  
UPC DESCRIPTION



PRODUCT DESCRIPTION MANUAL  
ASSEMBLY INFORMATION

GMT 1081 REV 8/78

ITEM	QTY	PART OR TOOL DESCRIPTION	ADD'L DATA	QTY	PART NUMBER	ENGINE CODES	SERIES	REV	ITEM RESTRICTION	DEPARTMENTS		CHANGE CD	LOGIC CODE	FUNCTION CODE	ADDITIONAL CODES	LINE NOS
										#1	2/51A					
0130AA	1	DECAL DISC		1	793023			P1		0784	63		0000	635220	M	4.28
0140AA	1	DECAL DISC		1	701556			81		0784	63		0000	635225	M	4.28
0150AA	2	ENVFOPE		2	6P61P6					0758	100		0000	105110	M	4.30
0160AA	1	MANUAL OPER		1	2028572			81		0758	100		0000	105115	M	4.32
0160AC	1	MANUAL OPER		1	2028573			83		0758	100		0000	105115	M	4.33
0164AA	1	SUPP, INC VEH		1	2002849			83		0758	100	61285	0000	105116	M	02530 4.35
0170AA	1	PAMPHLET		1	2028574					0758	100		0000	105120	M	4.37
0180AA	1	BOOKLET WARRAN		1	2028578			81		0758	100		0000	105125	M	4.39
0180AC	1	BOOKLET WARRAN		1	2028579			83		0758	100		0000	105125	M	4.40
0190AA	1	DIRECTORY DR		1	2028575					0758	100		0000	105130	M	4.42
0200AA	1	LABEL OVERLAY		1	2016932			81		0758	100	57470	0000	105135	M	4.44
0210AA	1	LABEL 2ND STAGE		1	2003347					0758	100		0000	105140	M	4.46
0212AA	1	DDC INC VEH CERT		1	460278			83		0758	100	57470	0000	105145	M	4.48
0214AA	1	LABEL BLANK COM		1	2016933			81		0758	100		0000	105150	M	4.50
0218AA	1	DDC INC VEH CERT		1	2016934			83		0758	100	60018	0000	105155	M	02210 4.52
0220AA	1	LABEL VEH CERT		1	2000348					0758	100		0000	105160	M	4.54
0224AA	1	LABEL EXH EMTS		1	2009425			VJ9		0758	100		6522	105165	M	4.56
0230AA	1	PLY CERT SERL NO		1	709180				VNW801/VNW802/VNW803/VNW804/ VNW806/VNW807/VNW808/VNW809/ VNW810/VNW811	0758	100		1156	105170	M	4.58
0230AB										0758	100					4.59
0230AC										0758	100					5.1
0240AA	4	SCREW SERIAL NO		4	9426363				VNW801/VNW802/VNW803/VNW804/ VNW806/VNW807/VNW808/VNW809/ VNW810/VNW811/VNW814	0758	100					5.3
0240AB										0758	100					5.4
0240AC										0758	100					5.5
0250AA	1	SEAL RV STDS		1	706769				VNW801	0758	100		0479	105175	M	5.7
0250AB	1	SEAL RV STDS		1	706770				VNW802	0758	100		0480	105175	M	5.8
0250AC	1	SEAL RV STDS		1	706771				VNW803	0758	100		0486	105175	M	5.9
0250AD	1	SEAL RV STDS		1	706773				VNW804	0758	100		0489	105175	M	5.10
0250AE	1	SEAL RV STDS		1	708504				VNW806	0758	100		0494	105175	M	5.11
0250AF	1	SEAL RV STDS		1	706775				VNW807	0758	100		0495	105175	M	5.12
0250AG	1	SEAL RV STDS		1	706776				VNW808	0758	100		1135	105175	M	5.13
0250AH	1	SEAL RV STDS		1	708505				VNW809	0758	100		1137	105175	M	5.14
0250AJ	1	SEAL RV STDS		1	722612				VNW811	0758	100		1140	105175	M	5.15
0250AK	1	SEAL RV STDS		1	2008777				VNW813	0758	100		1144	105175	M	5.16
0250AL	1	SEAL RV STDS		1	2008776				VNW814	0758	100		1145	105175	M	5.17
0250AM	1	SEAL RV STDS		1	2008778				VNW815	0758	100		1152	105175	M	5.18
0250AN	1	SEAL RV STDS		1	2020193				VNW816	0758	100		1155	105175	M	5.19

1 2 3 4 5 F.M.V.S.	ZE05000										MODEL YEAR 1978 ORIGIN DATE 770804 LAST CHG DATE 771003 LAST CHG CODE 1285					
	MODEL APPLICATION										70 14F A 9					
	CAR NUMBERS, IDENT PLATES & COMPLIANCE ITEMS										BK U. P. G. 9th PAGE					





# PRODUCT DESCRIPTION MANUAL

## ASSEMBLY INFORMATION

GMT 1061 REV 5/75

GM TRUCK & COACH

ITEM	QTY	PART OR TOOL DESCRIPTION	ADDL DATA	QTY	PART NUMBER	ENGINE CODES	SERIES	BODY	ITEM RESTRICTION	DEPARTMENT #1	DEPARTMENT #2	CHARGE CO.	ALPH	LOGIC CODE	FUNCTION CODE	ADDITIONAL CODES	PKT	LINE NOS
0260AA 0260AB		SCREW SEAL SCREW SEAL		2 4	9426363 9426363				VNW801/VNW816 VNW804/VNW806/VNW808/VNW809	0758 0758	100 100							5.19 5.20
0290AA 0290AB		PLT STATE CERT		1	2008676				VNW810/VNW811/VNW812/VNW813/ VNW814	0758 0758	100 100			1160105180		M		5.24 5.25
0295AA 0295AB		RIVET PLATE		2	742864				VNW810/VNW811/VNW812/VNW813/ VNW814	0758 0758	100 100							5.25 5.26
0310AA		PLT CALIF CERT		1	2001042				VNW802	0758	100			0480105189		M		5.26
0320AA		PLATE MFR DATA		1	2008680				VNW810/VNW811/VNW812/VNW813	0758	100			1159105190		M		5.29 5.30
0330AA		PLT OHIO DATA		1	2015869				VNW812	0758	100			1141105195		M		5.32
0340AA		INSL SHWR DRN		1	2003560				VNW801/VNW810	0758	100			1158105200		M		5.34
0350AA		ADHESIVE DRN TRP		*	RH31164				VNW801/VNW810	0758	100							5.36
0360AA		EXP I.D. LABEL		1	9428351				2x3	0758	100			0477105205		M		5.38
0370AA		EXP I.D. TAG		3	3838488				2x3	0758	100			0477105210		M		5.40

1 2 3 4 5 6 7 8 9 10 11 12 13 14 15 16 17 18 19 20 21 22 23 24 25 26 27 28 29 30 31 32 33 34 35 36 37 38 39 40 41 42 43 44 45 46 47 48 49 50 51 52 53 54 55 56 57 58 59 60 61 62 63 64 65 66 67 68 69 70 71 72 73 74 75 76 77 78 79 80 81 82 83 84 85 86 87 88 89 90 91 92 93 94 95 96 97 98 99 100 101 102 103 104 105 106 107 108 109 110 111 112 113 114 115 116 117 118 119 120 121 122 123 124 125 126 127 128 129 130 131 132 133 134 135 136 137 138 139 140 141 142 143 144 145 146 147 148 149 150 151 152 153 154 155 156 157 158 159 160 161 162 163 164 165 166 167 168 169 170 171 172 173 174 175 176 177 178 179 180 181 182 183 184 185 186 187 188 189 190 191 192 193 194 195 196 197 198 199 200 201 202 203 204 205 206 207 208 209 210 211 212 213 214 215 216 217 218 219 220 221 222 223 224 225 226 227 228 229 230 231 232 233 234 235 236 237 238 239 240 241 242 243 244 245 246 247 248 249 250 251 252 253 254 255 256 257 258 259 260 261 262 263 264 265 266 267 268 269 270 271 272 273 274 275 276 277 278 279 280 281 282 283 284 285 286 287 288 289 290 291 292 293 294 295 296 297 298 299 300 301 302 303 304 305 306 307 308 309 310 311 312 313 314 315 316 317 318 319 320 321 322 323 324 325 326 327 328 329 330 331 332 333 334 335 336 337 338 339 340 341 342 343 344 345 346 347 348 349 350 351 352 353 354 355 356 357 358 359 360 361 362 363 364 365 366 367 368 369 370 371 372 373 374 375 376 377 378 379 380 381 382 383 384 385 386 387 388 389 390 391 392 393 394 395 396 397 398 399 400 401 402 403 404 405 406 407 408 409 410 411 412 413 414 415 416 417 418 419 420 421 422 423 424 425 426 427 428 429 430 431 432 433 434 435 436 437 438 439 440 441 442 443 444 445 446 447 448 449 450 451 452 453 454 455 456 457 458 459 460 461 462 463 464 465 466 467 468 469 470 471 472 473 474 475 476 477 478 479 480 481 482 483 484 485 486 487 488 489 490 491 492 493 494 495 496 497 498 499 500 501 502 503 504 505 506 507 508 509 510 511 512 513 514 515 516 517 518 519 520 521 522 523 524 525 526 527 528 529 530 531 532 533 534 535 536 537 538 539 540 541 542 543 544 545 546 547 548 549 550 551 552 553 554 555 556 557 558 559 560 561 562 563 564 565 566 567 568 569 570 571 572 573 574 575 576 577 578 579 580 581 582 583 584 585 586 587 588 589 590 591 592 593 594 595 596 597 598 599 600 601 602 603 604 605 606 607 608 609 610 611 612 613 614 615 616 617 618 619 620 621 622 623 624 625 626 627 628 629 630 631 632 633 634 635 636 637 638 639 640 641 642 643 644 645 646 647 648 649 650 651 652 653 654 655 656 657 658 659 660 661 662 663 664 665 666 667 668 669 670 671 672 673 674 675 676 677 678 679 680 681 682 683 684 685 686 687 688 689 690 691 692 693 694 695 696 697 698 699 700 701 702 703 704 705 706 707 708 709 710 711 712 713 714 715 716 717 718 719 720 721 722 723 724 725 726 727 728 729 730 731 732 733 734 735 736 737 738 739 740 741 742 743 744 745 746 747 748 749 750 751 752 753 754 755 756 757 758 759 760 761 762 763 764 765 766 767 768 769 770 771 772 773 774 775 776 777 778 779 780 781 782 783 784 785 786 787 788 789 790 791 792 793 794 795 796 797 798 799 800 801 802 803 804 805 806 807 808 809 810 811 812 813 814 815 816 817 818 819 820 821 822 823 824 825 826 827 828 829 830 831 832 833 834 835 836 837 838 839 840 841 842 843 844 845 846 847 848 849 850 851 852 853 854 855 856 857 858 859 860 861 862 863 864 865 866 867 868 869 870 871 872 873 874 875 876 877 878 879 880 881 882 883 884 885 886 887 888 889 890 891 892 893 894 895 896 897 898 899 900 901 902 903 904 905 906 907 908 909 910 911 912 913 914 915 916 917 918 919 920 921 922 923 924 925 926 927 928 929 930 931 932 933 934 935 936 937 938 939 940 941 942 943 944 945 946 947 948 949 950 951 952 953 954 955 956 957 958 959 960 961 962 963 964 965 966 967 968 969 970 971 972 973 974 975 976 977 978 979 980 981 982 983 984 985 986 987 988 989 990 991 992 993 994 995 996 997 998 999 1000	REFERENCE 7E05000 MODEL APPLICATION CAR NUMBERS, IDENT PLATES & COMPLIANCE ITEMS UPC DESCRIPTION	MODEL YEAR 1978 ORIGIN DATE 770804 LAST CHG DATE 770929 LAST CHG CODE 70 14F A 6 BK V. P. G. OF PAGE
---	--	---



GM TRUCK & COACH

PRODUCT DESCRIPTION MANUAL

ASSEMBLY INFORMATION

ITEM	PART OR TOOL DESCRIPTION	ADD'L DATA	QTY	PART NUMBER	ENGINE CODES	SERIES	DOY	ITEM RESTRICTION	DEPARTMENTS		CHANGE CD	LOGIC AUTH	LOGIC CODE	FUNCTION CODE	ADDITL. CODES	LINE NOS
									41	287A						
0010AA	REINF HATCH OPG		2	688801		60	R3VXC		0758	100			3660105035	M		1.8
0010AB	REINF HATCH OPG		4	688801		65	R3VXC		0758	100			3660105035	M		1.9
0020AA	REINF A/C RF OPG		2	688804		60	R3VXC		0758	100			3660105040	M		1.11
0020AB	REINF A/C RF OPG		4	688804		65	R3VXC		0758	100			3660105040	M		1.12
0030AA	SUPT RR SI FRM		4	688822			R3VXC		0702	1			3660991260	M		1.14
0040AA	SUPT FRT SI FRM		4	691611			R3VXC		0702	1			3660991265	M		1.16
0050AA	SUPT SI FRM SI		6	688830			R3VXC		0702	1			3660991270	M		1.18

7E0500

MODEL YEAR IS 7R  
ORIGIN DATE 770R03  
LAST CHG. DATE  
LAST CHG. CODE

---

70 14G A 1  
BK. V. P. C. GMT PAGE

LINE NO.	PART OR TOOL DESCRIPTION	ADD'L DATA	QTY	PART NUMBER		ENGINE CODES	SERIES	REV	ITEM RESTRICTION	DEPARTMENTS		CHANGE		LOGIC CODE	FUNCTION CODE	ADD'L COL	NA	LINE NOS
										#1	2/STA	CD	AUTH					
1.8	PAINT INST			MO1645					4TP/42P/42S	0704	R	03838					06500	1.8
1.9	PAINT INST			MO1645					4TP/42P/42S	0704	R	03838					09500	1.9

<p>F.M.V.B.S.</p>	<p>REFERENCE</p>	<p>ZFOEX00</p> <p>MODEL APPLICATION FINAL ASSEMBLY PAINTING</p> <p>UPC DESCRIPTION</p>	<p>MODEL YEAR IS 78</p> <p>ORIGIN DATE 770803</p> <p>LAST CHG. DATE 770823</p> <p>LAST CHG. CODE 3838</p> <p>70 14W A I</p> <p>OK U. P. C. BRP PAGE</p>
-------------------	------------------	--	---